

1960-1964 FORD CAR PARTS AND ACCESSORIES

ILLUSTRATIONS CATALOG

Autolite 

AUTOLITE - FORD PARTS DIVISION

COPYRIGHT © 1969 - FORD MOTOR COMPANY • DEARBORN, MICHIGAN

GENERAL INFORMATION	II
SECTION-MISCELLANEOUS INSTRUMENT PANEL & RELATED PARTS	1
SECTIONS 10-24 WHEELS, BRAKES	28
SECTIONS 30-35 FRONT SUSPENSION, STEERING	66
SECTIONS 40-46 REAR AXLE, DRIVE SHAFT	109
SECTIONS 50-53 FRAME, MUFFLER, SPRINGS	115
SECTIONS 60-66 ENGINE	143
SECTIONS 70-75 STANDARD TRANSMISSION, CLUTCH, O/D, SHIFTER	199
SECTIONS A70-A72.1 AUTOMATIC TRANSMISSION	231
SECTIONS 80-85 COOLING, GRILLE	267
SECTIONS 90-98 FUEL, CARBURETOR, ACCELERATOR	289
SECTIONS 100-120 GENERATOR, ALTERNATOR, STARTER, DISTRIBUTOR	367
SECTIONS 130-140 LAMPS, WIRING	399
SECTIONS 160-166 FENDER, HOOD	473
SECTIONS 175-190 SPEEDOMETER, WINDSHIELD WIPER, BUMPER, ACCESSORIES	503
BODY SECTIONS 000-042 BODY FRONT, FLOOR	591
BODY SECTIONS 230-290 BODY SIDE, QUARTER	607
BODY SECTIONS 400-500 BACK, LUGGAGE COMPARTMENT, TAILGATE	685
BODY SECTION 600 SEATS	737
BODY SHEET METAL SECTION	763
EXTERIOR MOULDING SECTION	847
INTERIOR TRIM SECTION	923

MASTER PARTS AND ACCESSORIES ILLUSTRATION CATALOG

FORM AF-7682

1960/64 PASSENGER CAR

AUTOLITE-FORD PARTS DIVISION

GENERAL INSTRUCTIONS

This Ford Car Master Illustration Catalog contains parts illustrations for the Ford (A), Fairlane (B), Thunderbird (S) and Falcon (X) passenger cars for the model years 1960 through 1964.

For greater convenience this catalog is divided into specific sections; such as brakes, front suspension, engine, transmission, etc. For example, FRONT SUSPENSION appears in section 30, STEERING in section 35, REAR AXLE in section 40, etc.

A separate catalog which contains the text or descriptive information for the same model periods is available as Form AF 7681. The "Text" catalog is divided into sections also and like parts are shown under similar section numbers in both the "Text" and "Illustration" catalogs.

A listing of Ford basic or group numbers and their related section numbers appears in the General Information Section of the "Text" catalog, Form AF 7681.

Illustrations contain basic group numbers only, therefore, it is necessary to refer to the basic group within the "Text" catalog (Form AF 7681) for the complete applicable part number.

The driver's side is the left hand side of the vehicle and should govern in determining such parts as fenders, lamps, etc. as to whether a part is right or left hand.

Model year application is indicated by showing the first year followed by a diagonal line to imply continued usage in all subsequent years until the insertion of the last year of usage, which is shown after the diagonal line. If no diagonal line is shown the part is applicable only to the year shown.

Example:

- 60/ indicates part used 1960 through 1964 in this catalog and for subsequent years as indicated in the 1965/ catalog.
- 61/63 indicates part used 1961 through 1963 model years.
- 62 indicates part used 1962 model year only.

For Patent or Warranty Plate data, Catalog Model Codes and Body Type Codes refer to the General Information Section of the "Text" catalog, Form AF 7681.

PROCEDURE FOR USING CATALOG

Following is a recommended procedure for using this catalog.

Should an inquiry be received for a rear brake carrier plate for a 1963 Thunderbird, use the following steps.

- A. Refer to the Quick Reference Index on the cover of this catalog. The index shows that illustrations for Wheels and Brakes are shown in Section 10 through 24 of this catalog. The first section (10) in this group will contain an index for all illustrations in Sections 10 through 24.
- B. Refer to the Illustration Index at the beginning of Section 10 under heading "Front and Rear Brakes" and find the illustration applicable to rear brakes for a 1963 Thunderbird (Page 49).
- C. Refer to the illustration on page 49 and identify the proper part. It will show a Group number of 2211-12.
- D. Refer to Group 2211-12 in the "Text Catalog" (Form AF 7681) and locate the year 1963 in the column headed "Year". Refer then to column headed "Model" for "S" which indicates Thunderbird. The part number will be shown as C3SZ 2211-A for right hand and C3SZ 2212-A for left hand.

HOW TO ORDER PARTS

When ordering parts, always give the complete part number.

In the event the part number is not known, the following information should be included.

- A. Complete description of part.
- B. Year, car line and body type.
- C. Dimension, number of teeth, size, etc.; if possible rough sketch of part.
- D. If applicable to engine, transmission, axle, steering, etc.; specify type; such as 352 cubic inch, Fordomatic, Power Steering, etc.
- E. Advise how shipment is to be made - Freight, Express, Air, Parcel Post.

EXPLANATION OF SYMBOL ★

- ★ Symbol indicates part is not supplied for service due to the following:
 - a. Part is superseded and replaced as indicated in the description column of the text catalog.
 - b. Part can be improvised as indicated in the description column of text catalog.
 - c. Due to its function there would be little or no demand.

Always refer to the description column of the text catalog (Form AF7681) for possible substitution, or for material specifications and dimensions which may be helpful in obtaining the non-serviced part locally.

MASTER PARTS AND ACCESSORIES ILLUSTRATION CATALOG

FORM FP 7635-B

FORD PARTS and SERVICE DIVISION

GENERAL INSTRUCTIONS

This Ford Car Master Parts Catalog contains parts illustrations for Bronco, Fairlane/Torino, Falcon, Ford, Maverick, Mustang, Pinto and Thunderbird for model years 1965 to 1972 for U.S. and Canadian built vehicles.

Use this Illustration Catalog in conjunction with the Text Catalog, form FP 7635-A.

For greater convenience this catalog is divided into specific sections, such as brakes, front suspension, engine, transmission, etc. For example, FRONT SUSPENSION appears in Section 30, STEERING in Section 35, REAR AXLE in Section 40, etc.

A separate catalog which contains the text or descriptive information for the same model year is available as form FP 7635-A. The Text Catalog is divided into sections also and like parts are shown under similar section numbers in both the Text and Illustration Catalogs.

A listing of Ford group numbers and their related section numbers appears in the General Information Section of the Text Catalog, form FP 7635-A.

Illustrations contain group numbers only, therefore, it is necessary to refer to the group within the text catalog listing for complete applicable part number.

The driver's side is the left hand side of the vehicle and determines whether such parts as fenders, lamps, etc. are right or left hand.

Model year application is indicated by showing the first year followed by a diagonal line to indicate continued usage in all subsequent years until the insertion of the last year of usage, which is shown after the diagonal line. If no diagonal line is shown the part is applicable only to the year shown.

Example:

65/72 indicates part used 1965 through 1972 model years
65 indicates part used 1965 model year only

For Warranty Plate or Certification Label Data, Catalog Model Codes and Body Type Codes refer to the General Information Section of the Text catalog, form FP 7635-A.

The various car lines and their body types are identified by vehicle catalog codes and body type codes in the text catalog as follows -

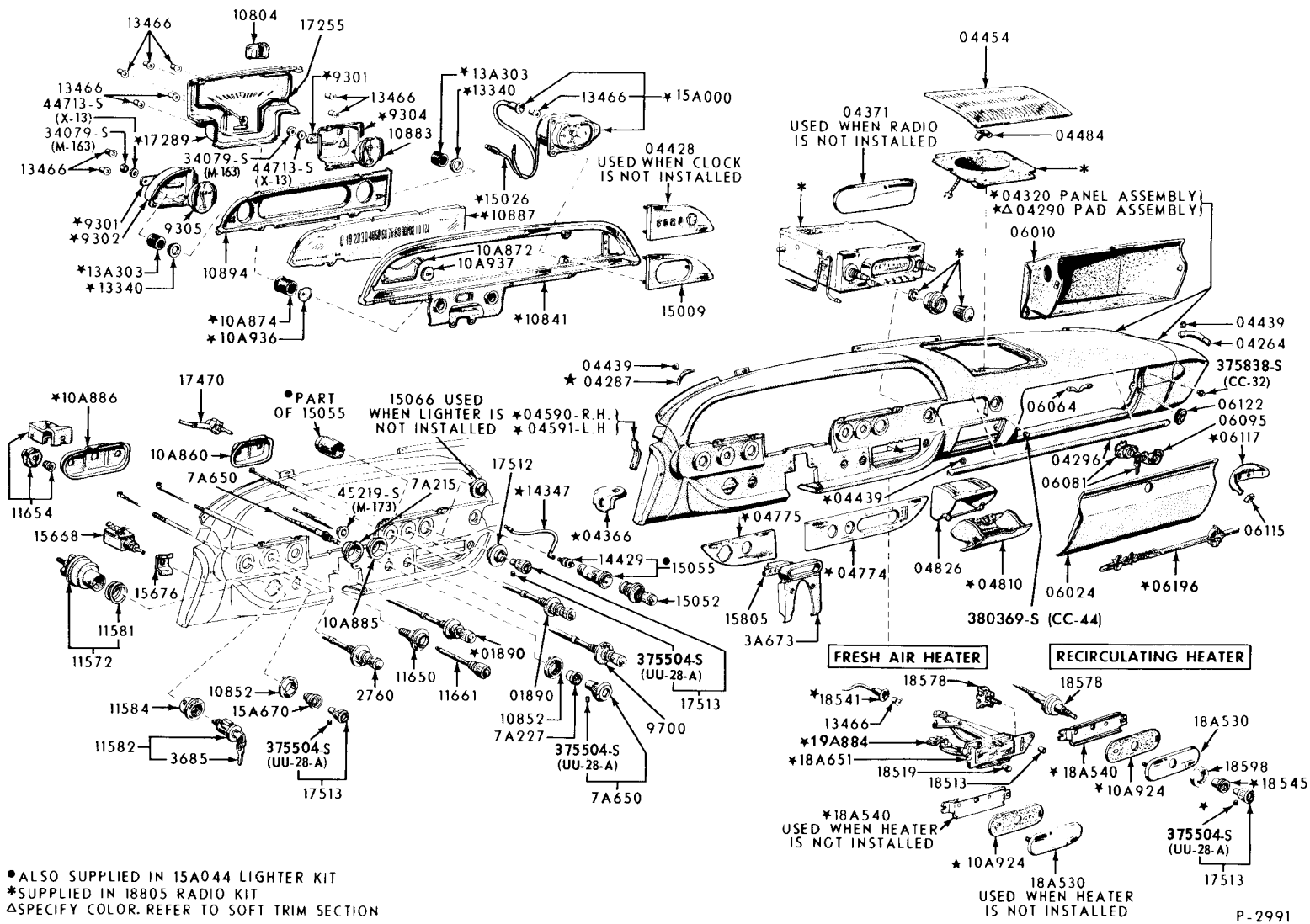
VEHICLE	CATALOG CODE	BODY TYPE DESCRIPTION	BODY TYPE CODE
Bronco	U	Convertible	76
Fairlane	B	Four door hardtop	57
Falcon	X	Four door pillared hardtop	53
Ford	A	Four door sedan	54
Maverick	P	Four door station wagon	71
Mustang	F		
Pinto	L	Ranchero	66 or 97
Thunderbird	S	Three door sedan	64
Torino	B	Two door hardtop (fastback roof)	63
		Two door hardtop (formal roof)	65
		Two door sedan	62
		Two door station wagon	59 or 73
THE FOLLOWING SYMBOL APPEARS ON ILLUSTRATIONS AND IS INTERPRETED AS SHOWN BELOW			
★	Indicates Not Serviced - must be improvised or procured locally		

CHASSIS PARTS ILLUSTRATION INDEX

Following is a general index of the major groups shown in the Chassis and Body Parts Illustration Sections. For more specific information refer to the Index appearing in front of the Section number listed below.

MAJOR GROUP	●TABBED DIVIDER TITLE	INDEX SECTION
Accelerator Linkage	Fuel	90
Accessories	Listed in their appropriate groups as identified in this index	
Air Cleaner	Fuel	90
Air Conditioner	Speedometer, Bumper	175
Alternator	Generator, Alternator, Starter, Distributor	100
Automatic Transmission	Automatic Transmission	A70
Axle (rear)	Rear Axle, Driveshaft	40
Battery	Generator, Alternator, Starter, Distributor	100
Brake System	Wheels, Brakes	10
Bumpers	Speedometer, Bumper	175
Carburetor	Fuel	90
Carrier (Wheel)	Wheels, Brakes	10
Clutch	Standard Transmission, Clutch	70
Cooling System	Cooling, Grille	80
Distributor	Generator, Alternator, Starter, Distributor	100
Driveshaft	Rear Axle, Driveshaft	40
Electrical	Generator, Alternator, Starter, Distributor	100
Electrical	Lamps, Wiring	130
Engine	Engine	60
Exhaust System	Frames, Mufflers, Springs	50
Fan	Cooling, Grille	80
Fenders	Fender, Hood	160
Frame	Frames, Mufflers, Springs	50
Front Suspension	Front Suspension, Steering	30
Fuel Pump	Fuel	90
Fuel System	Fuel	90
Fuel Tank	Fuel	90
Gearshift Lever	Standard Transmission, Clutch	70
Generator	Generator, Alternator, Starter, Distributor	100
Grille	Cooling, Grille	80
Heater	Speedometer, Bumper	175
Hood	Fender, Hood	160
Horn	Lamps, Wiring	130
Instrument Cluster	Generator, Alternator, Starter, Distributor	100
Lamps	Lamps, Wiring	130
Lever (Gearshift)	Standard Transmission, Clutch	70
Manifolds	Fuel	90
Mirrors	Speedometer, Bumper	175
Muffler	Frames, Muffler, Springs	50
Pump (Fuel)	Fuel	90
Pump (Water)	Cooling, Grille	80
Radiator	Cooling, Grille	80
Rear Axle	Rear Axle, Driveshaft	40

1960 FORD INSTRUMENT PANEL AND RELATED PARTS



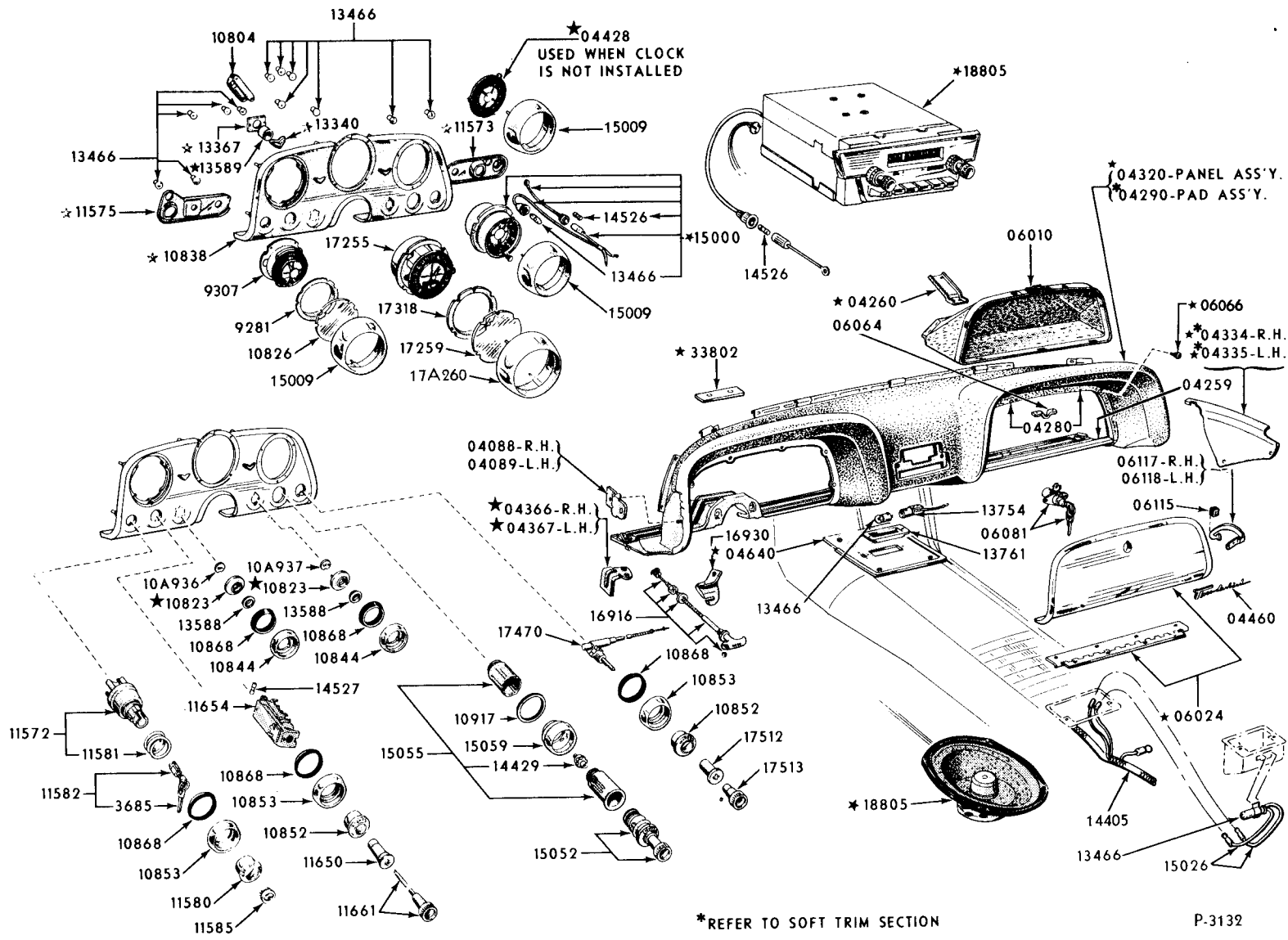
● ALSO SUPPLIED IN 15A044 LIGHTER KIT
 * SUPPLIED IN 18805 RADIO KIT
 Δ SPECIFY COLOR. REFER TO SOFT TRIM SECTION

1960 FORD INSTRUMENT PANEL & RELATED PARTS

Group	Part Number	Part Name	Group	Part Number	Part Name
2760	C0AF 2760-C C0AF 2760-D	Handle (parking brake release)	10841	*C0AF 10841-DP	Housing (instr. cluster)
3A673	C1AF 3A673-AP	Cover (steering column bracket)	10852	C0AF 10852-A	Bezel (top control)
3A673	C1AF 3A673-BP	Cover (steering column bracket)	10852	C0AF 10852-C	Bezel (overdrive control)
3685	B9A 3685-A	Key (ignition & door lock)	10A860	*C0AF 10A860-A	Plate (instr. controls mtg.)-R H
7A215	C0AF 7A215-A	Bracket (o/drive manual control)	10A872	*C1AF 10A872-A	Cover (instr. cluster odometer)
7A227	C0AF 7A227-A	Nut (overdrive manual control)	10883	C0AZ 10883-A	Gauge (temp.)-less back plate
7A650	C0AA 7A650-A	Cable Assy. (overdrive manual control)	10A885	CJAF 10A885-A	Plate (instr. control mth. choke)
7A650	C0AZ 7A650-A	Knob (overdrive manual control)	10A886	*C0AF 10A886-A	Plate (instr. controls mtg.)-L H
9302	*C2AZ 9302-A	Plate (fuel gauge back)	10887	*C0AF 10887-A	Dial (instr. cluster main)
9304	*C0AF 9304-A	Plate (temperature gauge back)	10894	*C0AF 10894-B	Mask (instr. cluster)
9305	C0AF 9305-C	Gauge (fuel) (less back plate)	10A936	*C0AZ 10A936-A	Lens (oil pressure indicator warning lamp)
9700	C3OZ 9700-A	Control (carb. choke)	10A937	*C0AZ 10A937-A	Lens (generator indicator warning lamp)
01890	*C0AF 6401890-A	Control assy. (air)-R. H. or L. H.			
04264	C0AB 6404264-A	Moulding assy. (instr. panel end upper cover retaining)	11572	C3AZ 11572-A	Switch (ignition)
04287	*C0AB 6404287-A	Moulding (instr. panel end upper cover retaining)	11581	1A 11581-B	Spring (ign. switch ret.)
Δ 04290		Pad (instr. panel safety)	11582	C3AZ 11582-A	Cylinder & Keys (ignition)
04296	C0AB 6404296-A	Moulding (instr. panel upper cover retaining)	11584	C0AF 11584-A	Bezel (ignition switch)
04320	*C1AB6204320-B	Panel (instrument)	11650	C1AF 11650-A	Nut (light switch)
04366	C0AB 6404366-A	Bracket (instr. panel to pillar)	11654	C0AF 11654-C	Switch (light control)
04371	C0AZ 6204371-A	Plate (instr. panel radio dial hole)	11661	C1AF 11661-A	Knob assy. (light switch)-except Fairlane
04428	C0AF 6404428-A	Cover (clock opening)	11661	*C0AF 11661-B	Knob assy. (light switch)-Fairlane only
04439	*C0AB6404439-E	Retainer (instr. panel moulding)			
04439	C0AB 6404439-F	Retainer (instr. panel moulding)	13340	*C0AF 13340-A	Lens (turn indicator lamp)
04454	C0AB 6404454-AP	Grille (instr. panel radio)-without safety pad	13466	B6A 13466-A	Bulb (instr. panel lighting)
04454	C0AB 6404454-BP	Grille (instr. panel radio)-with safety pad	14429	FEW 14429-A	Fuse (cigar lighter)
04484	C0AB 6404484-A	Clip (instr. panel radio grille retaining)	15A000	*C0AZ 15A000-A	Clock Kit (electric)
04590	*C0AB6404590-A	Retainer (instr. panel cover side)-R. H.	15009	*C0AF 15009-B	Bezel (clock)
04591	*C0AB6404591-A	Retainer (instr. panel cover side)-L. H.	15026	*C0AF 15026-A	Wire & Socket (clock)
04774	*C0AZ6404774-A	Cover & Back Plate Assy. (lower instr. panel)	15A044	*C0AF 15A044-A	Cigar Lighter Kit
04775	*C0AB6404775-A	Panel (instr. panel cluster finish) lower-L. H.	15052	C0AF 15052-A	Knob & Element (cigar lighter)
04810	*C0AB6404810-C	Receptacle (instr. panel ash)	15055	C2AB 15055-A	Socket & Retainer (cigar lighter)
04826	C1AZ 6204826-A	Bumper (ash receptacle)	15668	C0AF 15668-A	Switch Assy. (top control)
06010	C0AB 6406010-A	Compartment assy. (glove)	15A670	C0AF 15A670-A	Nut (top control bezel)
06024	*C2AZ6206024-A	Door assy. (glove comp)	15676	C0AF 15676-A	Bracket (top control switch mtg.)
06064	C2DZ 6406064-A	Bumper (glove compartment door)	15805	C0AF 15805-A	Dial (F/M trans. gear shift lever indicator)
06081	B9A 6406081-A	Catch (glove comp. door lock striker plate)			
06095	C0AB 6406095-A	Lock assy. (glove comp. door)	15805	C0AF 15805-B	Dial (C/M trans. gear shift lever indicator)
06115	B6A 7006115-A	Escutcheon (glove comp. door lock)			
06122	C0AB 6406122-A	Bumper (glove comp. door arm)	17255	C0AZ 17255-#	Speedometer Assy.
06117	*C2AB 6206117-AP	Grommet (glove comp. door stop (glove comp. door) check arm)	17289	*C2AZ 17289-A	Case (speedometer mounting)
06196	*C0AB6306196-A	Panel (glove compart. door finish) "Starliner"	17470	C0AF 17470-H	Control Assy. (windshield wiper)
06196	*C0AB7506196-A	Panel (glove compart. door finish) "Galaxie"	17512	C0AF 17512-A	Nut (windshield wiper control)
06196	*C0AB7606196-A	Panel (glove compart. door finish) "Sunliner"	17513	C0AF 17513-A	Knob
10804	B9MZ 10804-C	Regulator (instr. cluster voltage)	18513	C0AF 18513-A	Knob (heater blower switch)
			18519	C1AF 18519-A	Knob (heater or Select Aire conditioner control)
			18A540	*C0AF 18A540-B	Bracket (heater control opening cover)
			18545	*C0AF 18545-A	Nut (recirculating heater blower switch)
			18578	C1AZ 18578-A	Switch Assy. (fresh air heater or Select Aire conditioner)
			18578	C1AA 18578-A	Switch assy. (recirculating heater)
			18A651	*C0AF 18A651-B	Panel & Retainer assy. (heater or Select Aire conditioner control)
			18805	*C0AF 18805-#	Radio Kit
			19A884	*C1AF 19A884-C	Bracket assy. (heater control mtg)

Δ Specify Color. Refer to Soft Trim Section.

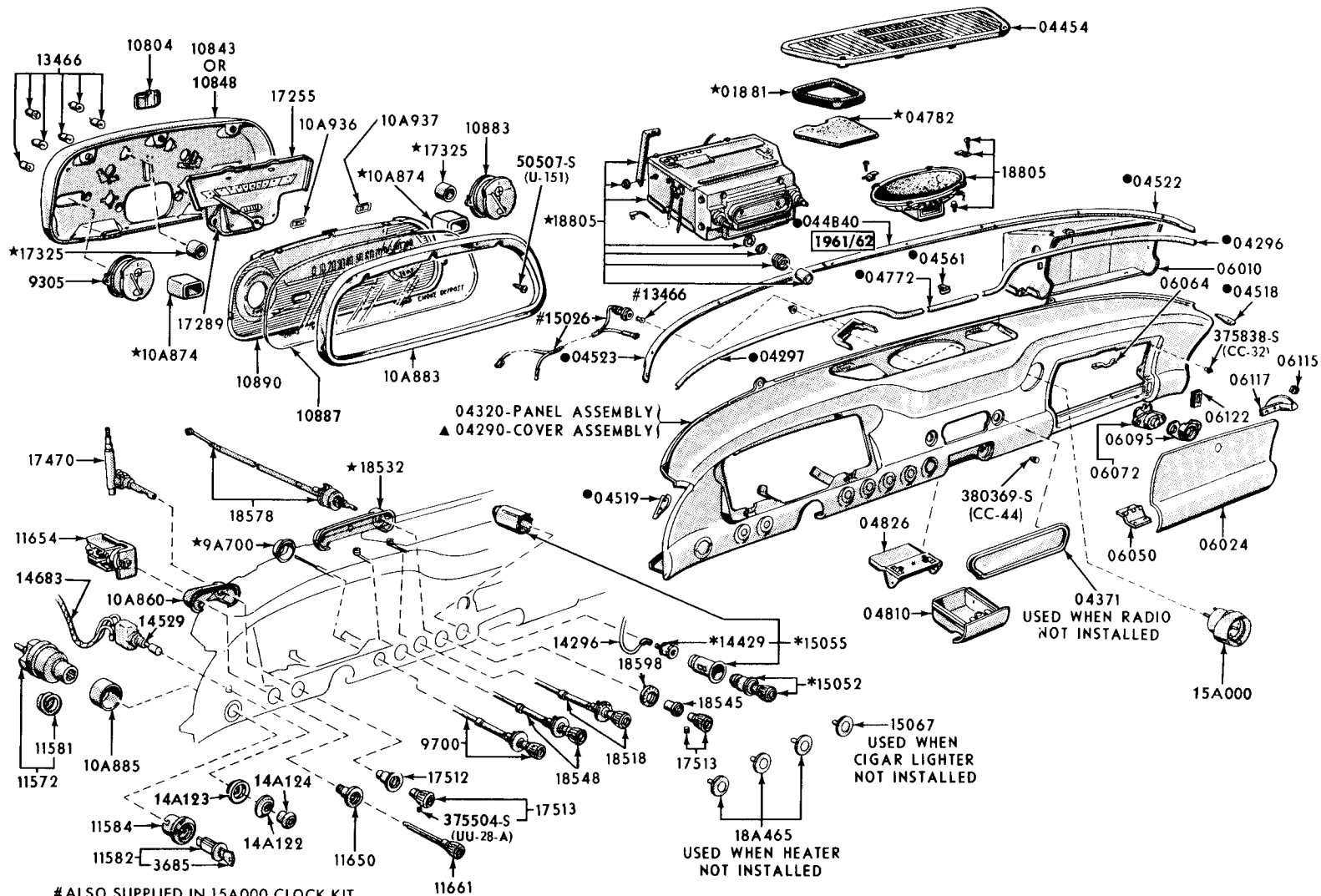
* Refer to Basic Group for proper Suffix required



1960 THUNDERBIRD INSTRUMENT PANEL & RELATED PARTS

Group	Part Number	Part Name	Group	Part Number	Part Name
3685	B9A 3685-A	Key(ignition & door lock)	11573	★B8S 11573-A	Plate (instr. cluster controls mounting)-R. H.
9281	★B9S 9281-A	Mask (fuel & temp. gauge)	11575	★B8S 11575-A	Plate (instr. cluster controls mounting)-L. H.
9307	C0SF 9307-A	Gauge (fuel & temp.)	11580	★C0SF 11580-B	Bezel (ignition switch)-inner
04088	★B8S 6304088-S	Bracket (instr. panel pad to pillar)-R. H.	11581	1A 11581-B	Spring (ignition switch ret.)
04089	★B8S 6304089-A	Bracket (instr. panel pad to pillar)-L. H.	11582	B9A 11582-A	Cylinder & keys (ignition)
04259	★B9SB 6304259-A	Retainer (instr. panel pad at glove comp.)-lower	11585	B6A 11585-A	Retainer (ign. switch bezel)
04280	★B9SB 6304280-A	Retainer (instr. panel pad at glove comp.)-upper	11650	★B7S 11650-A	Nut (light switch)
*04290		Pad (instr. panel safety)	11654	B9AF 11654-A	Switch (light control)-63
04320	★C0SB 6304320-B	Panel (instrument)	B9SF	11654-C	Switch (light control)-76
*04334	★C0SB 6304334	Panel (instr. panel end)-R. H.	11661	C0SF 11661-A	Knob & insert (light switch)
*04335	★C0SB 6304335	Panel (instr. panel end)-L. H.	13340	★B8S 13340-A	Lens (turn indicator lamp)
04460	B8S 6304460-A	Plate (instrument panel name)	13367	★B8S 13367-A	Plate (turn indicator lamp mtg.)
04640	★B8S 6304640-A	Cover (instr. panel radio access)	13466	B6A 13466-A	Bulb (instr. cluster speedometer, etc.)
04640	★B8S 7604640-A	Cover (instr. panel radio access)	13466	B5AZ 13466-A	Bulb (map lamp)
06010	C0SB 6306010-A	Compartment assy. (glove)	13466	B6A 13466-A	Bulb (clock)
06024	★C0SB 6306024-B	Door assy. (glove compt.)	13588	B8S 13588-A	Retainer (instr. cluster signal lamp jewel)
06064	B7A 7006064-A	Catch (glove compt. door lock)	13754	B8S 13754-A	Bracket & socket (map lamp)
06066	★B9SB 6306066-A	Bumper (glove compt. door)	13761	B8S 13761-A	Lens (map lamp)
06081	C0SB 7606081-A	Lockassy. (glove compt. door)	14429	FEW 14429-A	Fuse assy. (cigar lighter)
06115	★B8S 6306115-A	Bumper (glove compt. door arm)	14526	B6AZ 14526-A	Fuse (radio)-7 1/2 amp.
06117	B8S 6306117-A	Arm (glove compt. door check) -R. H.	14526	B6AZ 14526-D	Fuse (clock)-1 amp.
06118	B8S 6306118-A	Arm (glove compt. door check) -L. H.	15000	★C0SF 15000-B	Clock (electric)
10804	B9MZ 10804-C	Regulator (instr. cluster voltage)	15009	★C0SF 15009-A	Bezel (clock, fuel & temp. gauge)
10826	★B8S 10826-A	Cover (fuel & temp. indicator)	15026	B8S 15026-A	Lamp assy. (ash receptacle)
10838	★B8S 10838-A	Housing (instr. cluster)	15052	C0SF 15052-B	Knob & element (cigar lighter)
10844	B8S 10844-A	Bezel (instr. cluster)	15055	C2AB 15055-A	Socket & retainer (cigar lighter)
10852	★C0SF 10852-C	Bezel (lights)-inner	15059	★FAB 15059-A	Bezel (cigar lighter)-outer
10852	★C0SF 10852-D	Bezel (wipers)-inner	16916	BAK 16916-A	Cable assy. (hood catch control)
10853	FAA 10853-A	Bezel (wipers, lights & ignition switch)-outer	16930	B8S 16930-A	Bracket (hood lock control cable)
10868	FAA 10868-B	Seal (bezel)	17255	C0SF 17255-D	Speedometer assy.
10917	★B7S 10917-A	Seal (cigar lighter outer bezel)	17259	★B8S 17259-A	Cover (speedometer)
10A936	C0SZ 10A936-A	Lens (oil pressure indicator warning lamp)	17A260	★C0SF 17A260-A	Bezel (speedometer)
10A937	★C0SZ 10A937-A	Lens (generator indicator warning lamp)	17318	★C0SF 17318-A	Mask (speedometer)
11572	C3AZ 11572-A	Switch (ignition)	17470	B8S 17470-A	Control assy. (w/shield wiper)
			17512	★B8S 17512-A	Nut (w/shield wiper control)
			17513	B9A 17513-A	Knob assy. (w/shield wiper)
			18805	★C0SF 18805-F	Radio (push button)

* Specify color. Refer to Soft Trim Section



- # ALSO SUPPLIED IN 15A000 CLOCK KIT
 * ALSO SUPPLIED IN 15A044 CIGAR LIGHTER KIT
 ● USED ONLY WHEN SAFETY COVER IS INSTALLED
 ▲ SPECIFY COLOR. REFER TO SOFT TRIM SECTIONS

1960/62 FALCON INSTRUMENT PANEL AND RELATED PARTS

Group	Part Number	Part Name	Group	Part Number	Part Name
3685	B9A 3685-A	Key (ignition & door lock)	10A937	★C0DZ 10A937-A	Lens (generator indicator warning lamp)
9305	C2DZ 9305-A	Gauge (fuel)	11572	C3AZ 11572-A	Switch (ignition)
9700	C0DZ 9700-B	Control (carb. choke)-1960-61	11581	1A 11581-B	Spring (ign. switch retaining)
9700	C3DZ 9700-A	Control (carburetor choke)-1962	11582	C3AZ 11582-A	Cylinder & keys (ignition)
01881	★C0DB 6401881-A	Seal (w/s defroster opening)	11584	COAF 11584-A	Bezel (ignition switch)- 1960
△04290	C0DB 6404290	Pad (instr. panel safety)	C3AZ	11584-A	1961-62
●04296	C0DB 6404296-B	Moulding (instrument panel)-R.H.	11650	C1DF 11650-A	Nut (light, switch)
●04297	C0DB 6404297-B	Moulding (instr. panel)-L. H.	11654	C1DF 11654-A	Switch (light control)-1960-61
04320	C0DZ 6404320-D	Panel assy. (instrument)	C2DZ	11654-A	1962
⊕04371	C0DF 6404371	Plate (instr. panel radio dial hole)	11661	↓	Knob & insert (lighting switch)
●044B40	C1DB 64044B40-AP	Moulding (instr. panel)-upper center-1961-62	13466	B6A 13466-A	Bulb (instrument cluster)
04454	C0DB 6404454-BP	Grille (instr. panel radio)	14A122	C0DF 14A122-B	Bezel (rear window regulator control switch)
●04518	C0DB 6404518-BP	Moulding (instr. panel end)-R. H.	14A123	C0DF 14A123-B	Spacer (rear window regulator control switch)
●04519	C0DB 6404519-BP	Moulding (instr. panel end)-L. H.	14A124	C0DF 14A124-A	Nut (rear window regulator control switch)
●04522	★C0DB 6404522-CP	Moulding (instr. panel)-upper-R. H.- 1960	14429	FEW 14429-A	Fuse (cigar lighter)
●04523	★C1DB 6404522-AP	1961-2	14529	C0DF 14529-A	Switch (rear window regulator control)
●04523	★C0DB 6404523-CP	Moulding (instr. panel)-upper-L. H.- 1960	14683	★C0DF 14683-A	Wiring (rear window regulator control)
●04561	C0DB 6404561-C	Clip (instr. panel moulding)	15A000	★C2DZ 15A000-A	Clock (electric)-1962
●04772	C0DB 6404772-C	Moulding (instr. panel)-center	15A044	★C2DZ 15A044-A	Cigar lighter (kit)
04782	★C0DB 6404782-A	Cover (instr. panel radio grille)	15052	C2DZ 15052-A	Knob & element assv. (cigar lighter)
04810	C3DZ 6204810-A	Receptacle assy.(instr. panel ash)	15055	C0DZ 15055-A	Socket & retainer assy. (cigar lighter)-1960-61
04826	C0DB 6404826-A	Retainer (instr. panel ash receptacle)	15055	C2AB 15055-A	Socket & rainer assv. (cigar lighter)-1962
06010	C0DZ 6406010-A	Compartment assy. (glove)	15067	C0DF 15067-B	Cover (instr. panel cigar lighter opening)
06024	C0DZ 6406024-B	Door assy.(glove compartment)	17255	C0DZ 17255-A	Speedometer assy.
06050	C0DB 6406050-A	Hinge assv.(glove compartment door)	17289	C0DZ 17289-A	Case (speedometer mounting)
06064	C2DZ 6406064-A	Catch (glove compartment door latch striker plate)	17470	B9A 17470-A	Control assy.(windshield wiper)
06072	C2DZ 6406072-A	Latch assy.(glove compartment door-non-locking)	17512	B7A 17512-B	Nut (windshield wiper control)
06095	C0AB 6406095-A	Escutcheon (glove compartment door latch)	17513	C0DF 17513-A	Knob (windshield wiper or heater control)-except 1962 "Futura"
06115	B6A 7006115-A	Bumper (glove compartment door arm)	17513	C2OB 17513-A	Knob (windshield wiper or heater control)-1962 "Futura"
06117	C0DB 6406117-EP	Stop (glove compartment door)	18A465	C0DF 18A465-B	Cover (heater temperature regulator control opening)
06122	C0AB 6406122-A	Grommet (glove compartment door check arm)	18518	↓	Control assy.(heater temperature)
10804	B9MZ 10804-C	Regulator (instr. cluster voltage)	18545	C0DF 18545-A	Nut (heater blower switch)
10843	★C0DF 10843-D	Plate(instr. cluster back)-1960-61	18548	↓	Control assy.(heater defroster)
10848	★C2DZ 10848-A	Plate (instru. cluster back)-1962	18578	C2DZ 18578-A	Switch assy.(heater)
10883	C2DZ 10883-A	Gauge (temperature)	18598	C0DF 18598-A	Bezel (heater switch)
10A883	★C0DF 10A883-B	Bezel (instr. cluster) - Repl. by C3DZ 10A883-A	18805	★C3DZ 18805-A	Radio (push button tuning)-1961/62
10A885	C0DF 10A885-A	Plate (instr. cluster control mounting)-ignition			
10A886	C0DF 10A886-A	Plate (instr. cluster control mounting)-L. H.			
10887	C0DF 10887-A	Dial (instr. cluster main)			
10890	★C0DF 10890-C	Mask(instr. cluster)-1960-61			
10A936	★C2DZ 10890-A	1962			
	★C0DZ 10A936-A	Lens (oil pressure indicator warning lamp)			

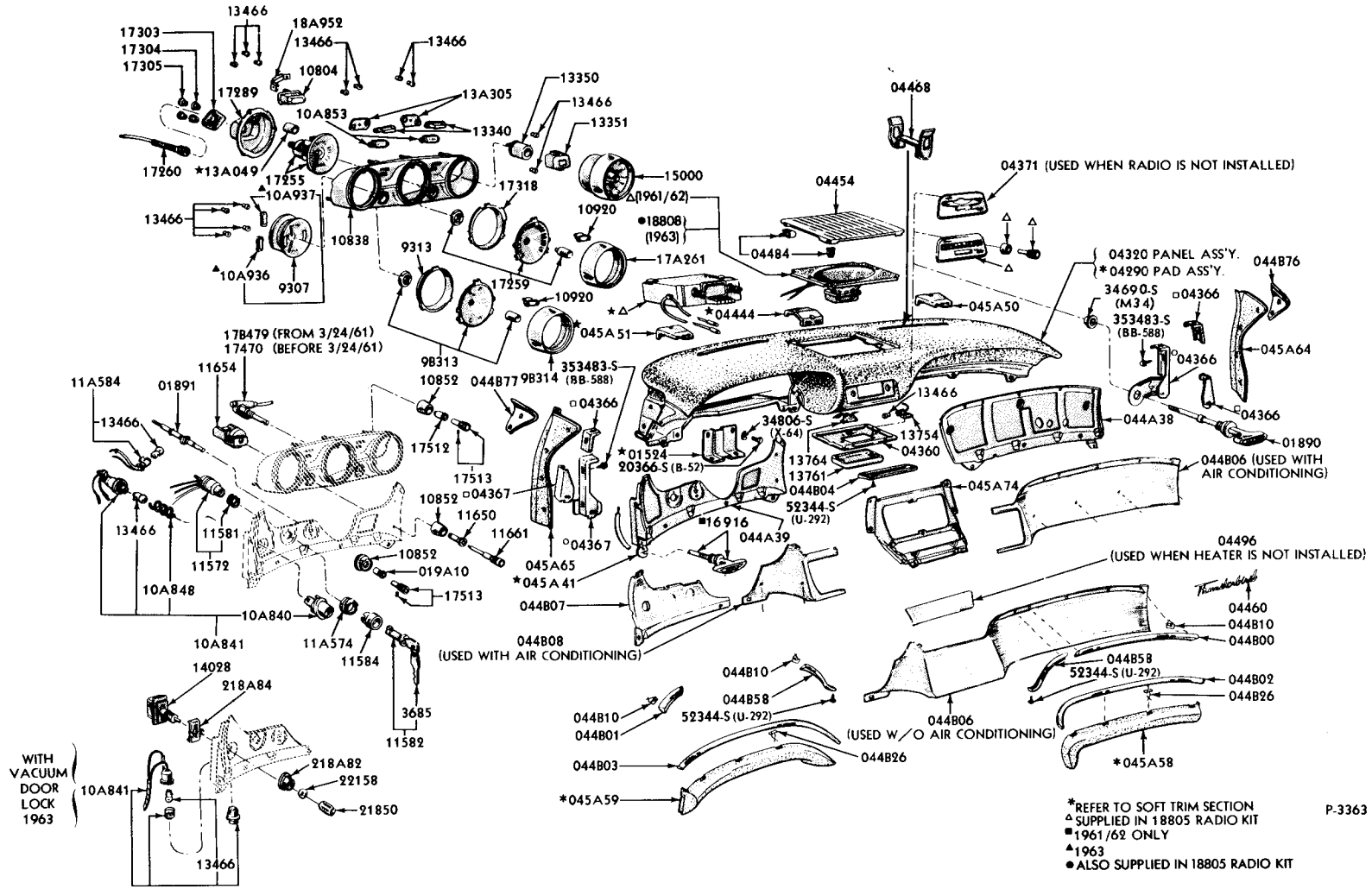
△ Specify color. Refer to Soft Trim Section

⊕ Specify color. Refer to Group for suffix

● Only used when Safety Cover is installed

↓ Refer to Basic Group for complete part number

1961/63 THUNDERBIRD INSTRUMENT PANEL & RELATED PARTS



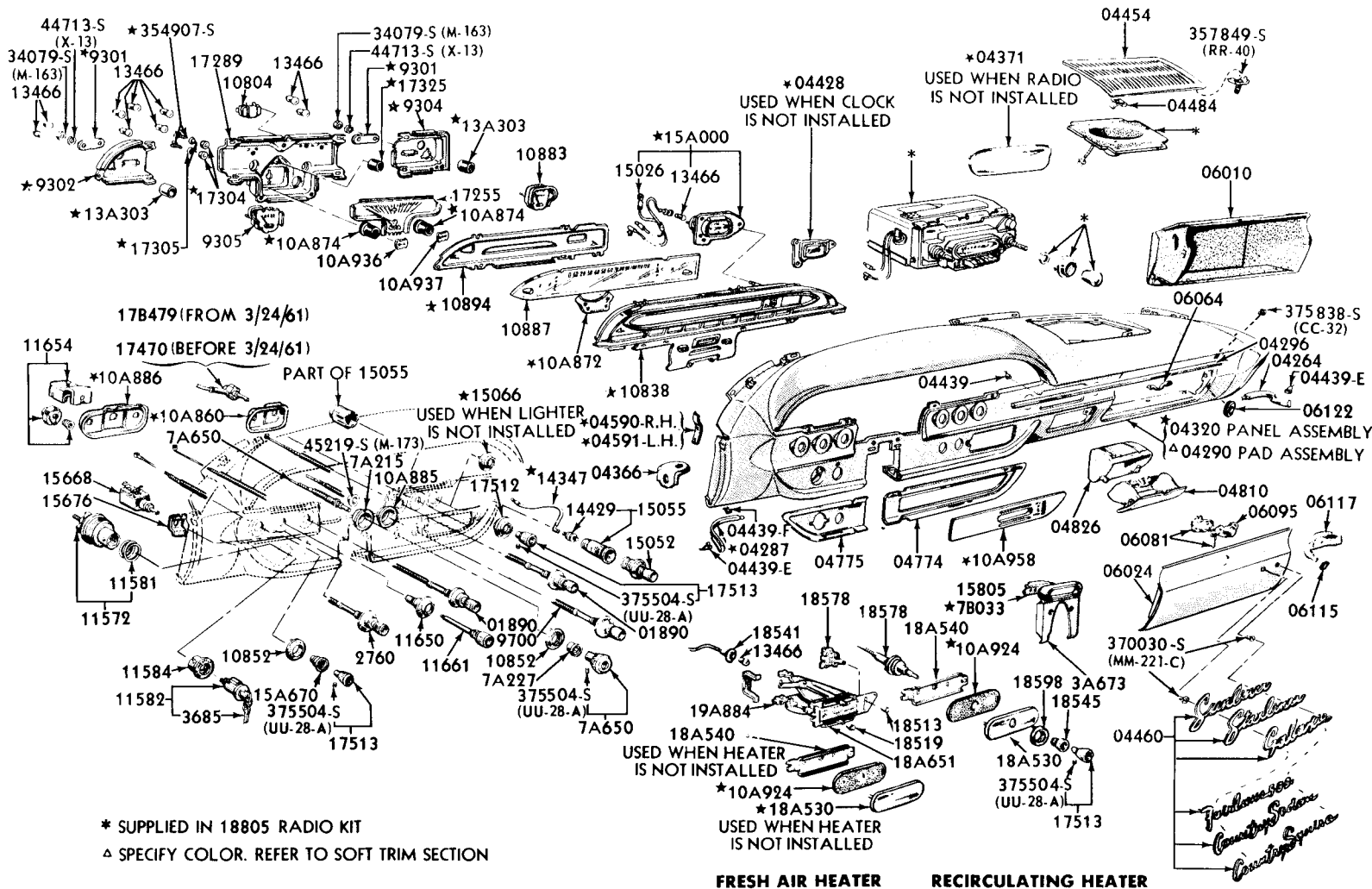
*REFER TO SOFT TRIM SECTION
 ▲ SUPPLIED IN 18805 RADIO KIT
 ■ 1961/62 ONLY
 ▲ 1963
 ● ALSO SUPPLIED IN 18805 RADIO KIT

1961 / 63 THUNDERBIRD INSTRUMENT PANEL & RELATED PARTS

Group	Part Number	Part Name	Group	Part Number	Part Name
3685	B9A 3685-A	Key (ignition & door lock)	10A840	•	Bezel (parking brake warning lamp)-1963
9307	C3SZ 9307-A	Gauge (fuel & temp.)	10A841	•	Lamp & wiring assy. -(parking brake warning)-1963
9313	C2SZ 9313-A	Mask (fuel & temp.gauge)-1962/63	10A848	B9FM 10A848-A	Spring (parking brake warning lamp)
9B313	★CISF 9B313-C	Lens (fuel & temp.gauge)-1961	10852	CISF 10852-A	Bezel (instr.cluster control)-air
	C2SZ 9B313-A	1962-63		C1SF 10852-B	Lights & wipers
9B314	C2SZ 9B314-A	Bezel (fuel & temp.gauge)-1962/63		C3SZ 10852-A	Top
01524	C3DZ 6201524-A	Brace (brake pedal support)	10A853	CISF 10A853-C	Lens (instr.cluster controls identification)-lights
01890	C3SZ 6301890-B	Control assy. (air)-R. H.		C1SF 10A853-D	Wipers
01891	C1SF 6301891-A	Control assy. (air)-L. H.	10920	CISF 10920-A	Clip (instr. cluster bezel)
019A10	★CISF 63019A10-A	Nut (ventilator air control bezel)	10A936	C3SZ 10A936-A	Lens(oil pressure indicator warning lamp)-1963
*04290		Pad (instr. panel safety)	10A937	C3SZ 10A937-A	Lens(generator indicator warning lamp)-1963
04320	C2SZ 6304320-A	Panel assy. (instrument)	11572	C3AZ 11572-A	Switch (ignition)
•04360		Cover (radio opening)	11A574	C1SF 11A574-A	Spacer (ign.switch bezel)-1961-62
04366	★CISB 6304366-A	Bracket (instr. panel to pillar)-R. H. - 1961-62		C3SZ 11A574-A	1963
	C2SZ 6304366-B	R. H. -Lower- 1962-63	11581	1A 11581-B	Spring (ignition switch retaining)
	C2SZ 6304366-A	Upper-1962-63	11582	C3AZ 11582-A	Cylinder&keys(ign.switch)
04367	★CISB 6304367-A	Bracket (instr. panel to pillar)-L. H. -1961-62	11584	★CISF 11584-A	Bezel (ignition switch)-1961-62
	C2SZ 6304367-B	L. H. -Lower- 1962-63		C3SZ 11584-A	1963
04371	C1SZ 6304371-A	Cover (instr. panel radio opening)	11A584	C3SZ 11A584-A	Socket & wiring assy. (ignition switch lamp)-1963
044B00	C1SZ 63044B00-A	Moulding (extension upper)-R. H.	11650	C1SZ 11650-A	Nut (light switch)
044B01	C1SB 63044B01-A	Moulding (extension upper)-L. H.	11654	C3SZ 11654-A	Switch (light control)
044B02	C1SZ 63044B02-A	Moulding (extension lower)-R. H.	11661	C1SF 11661-C	Knob & insert (light switch)
044B03	C1SZ 63044B03-A	Moulding (extension lower)-L. H.	13A305	C1SF 13A305-A	Retainer(turn ind. signal lamp)
044B04	C1SB 63044B04-A	Moulding (extension upper center)	13340	C1SF 13340-B	Lens (turn indicator signal)
•044B06		Panel (extension finish)-R. H.	13466	•	Bulb (instrument lighting)
•044B07		Panel(instr. panel ext. finish)-L. H.	13754	B8S 13754-A	Bracket & socket assy (map lamp)
•044B08		Panel(instr. panel ext. finish)-center	13761	B8S 13761-A	Lens (map lamp)
044B10	CISB 63044B10-A	Retainer (instr. panel moulding)	13764	C1SF 13764-A	Switch (map lamp)
044B26	C1SB 63044B26-A	Clip (extension lower moulding)	14028	C1VY 14028-A	Control(vacuum door lock)-1963
044A38	C1SZ 63044A38-A	Extension (panel lower)-R. H.	15000	C2SZ 15000-A	Clock assy (electric)
044A39	★CISZ 63044A39-A or B	Extension assy. (instrument panel lower)-L. H.-1961-62	16916	C1SB 16916-E	Cable assy. (hood catch control)-1961/62)
	C3SZ 63044A39-B	1963	17255	C2SZ 17255-A	Speedometer assy.
04444	★CISB 6304444-B	Support (instr. panel)-center	17259	C1SF 17259-A	Cover (speedometer)
04454	C1SZ 6304454-A	Grille (instr. panel radio)	17260	C2SZ 17260-A	Cable assy. (speedometer)
044B58	C1SB 63044B58-A	Moulding (instr. panel inter.)-R.H.	17A261	C1SF 17A261-B	Bezel (speedometer)
	★C1SZ 63044B58-B	Moulding (instr. panel inter.)-L.H.	17289	C1SZ 17289-A	Case (speedometer)
04460	C1SB 6304460-A	Plate (instr. panel name)	17303	C2SZ 17303-A	Gasket(speedometer case)
04468	C1SB 6304468-A	Spacer (instr. panel pad defroster opening)	17304	FDR 17304-A	Grommet (speedometer case)-1962/63
*044B76		Welt (end)-R. H.	17305	FDR 17305-A	Retainer(speedometer grommet)-1962/63
*044B77		Welt (end)-L. H.	17318	C2SZ 17318-A	Mask (speedometer)-1962/63
04484	COAB 6404484-A	Clip (instr. panel radio grille retaining)-front	17470	◊C1SF 17470-B	Control assy. (w/s wiper)-1961
	C1SB 6304484-B	Rear	17B479	•	Switch & control assy. (wiper) -1961/62
•04496		Cover (instr. panel heater control opening)	17512	C1SZ 17512-A	Nut (windshield wiper control)
045A50	★CISZ 63045A50-A	Support (instr. panel)-outer-R.H.	17513	C1SF 17513-B	Knob (windshield wiper control)
045A51	★CISZ 63045A51-A	Support (instr. panel)-outer-L.H.	18805	★C1SZ 18805-B	Radio assy. (less antenna)-1961-62
*045A58		Pad & retainer assy (instr. panel lower)-R. H.	18808	C5AZ 18808-C	Speaker (radio receiver)-1963
*045A59		Pad & retainer assy (instr. panel lower)-L. H.	18A952	C1VV 18A952-A	Resistor(radio suppression choke)
•045A64		Plate(instr. panel end cover)-R. H	21850	C3SZ 6321850-A	Knob (door lock control)
•045A65		Plate(instr. panel end cover)-L.H.	218A82	C3SZ 63218A82-A	Bezel (door lock control switch)
045A74	•	Panel assy (console center front)	218A84	C3SZ 63218A84-A	Adapter (door lock control switch mounting)
10804	B9MZ 10804-C	Regulator (instr. cluster voltage)	22158	C3SZ 6322158-A	Nut (door lock control mounting)
10838	C2SZ 10838-AP	Housing (instr. cluster)-1962/63			

* Specify Color. Refer to Soft Trim Section
• Refer to Basic Group for prefix and suffix.

• Specify Color. Refer to Group for prefix and suffix
◊ Before March 24, 1961 ◊ From March 24, 1961



* SUPPLIED IN 18805 RADIO KIT
 Δ SPECIFY COLOR. REFER TO SOFT TRIM SECTION

FRESH AIR HEATER RECIRCULATING HEATER

1961 FORD INSTRUMENT PANEL & RELATED PARTS

Group	Part Number	Part Name	Group	Part Number	Part Name
2760	C0AF 2760-C C0AF 2760-D	Handle (parking brake release)	06095	C0AB 6406095-A	Escutcheon (glove compt. door lock)
3A673	C1AF 3A673-AP C1AF 3A673-BP C2AZ 3A673-A	Cover (steering column bracket)	06115	B6A 7006115-A	Bumper (glove compt. door arm)
3685	B9A 3685-A	Key (ignition & door lock)	06117	C2AB 6206117-AP	Stop (glove compt. door)
7B033	★C1AF 7B033-A	Dial (C/M trans. gear shift lever indicator)	06122	C0AB 6406122-A	Grommet (glove compt. door check arm)
7A215	C0AF 7A215-A	Bracket (O/drive manual control)	10804	B9MZ 10804-C	Regulator (instr. cluster voltage)
7A227	C0AF 7A227-A	Nut (overdrive manual control)	10838	★C1AF 10838-E	Housing (instr. cluster)
7A650	C0AA 7A650-A	Cable assy. (O/D manual control)	10852	C0AF 10852-A	Bezel (top control)
7A650	C0AZ 7A650-A	Knob (overdrive manual control)	10852	C0AF 10852-C	Bezel (overdrive control)
9305	C1AF 9305-A	Gauge (fuel)-less back plate	10A860	★C0AF 10A860-A	Plate (instr. controls mtg.)-R.H.
9700	C3OZ 9700-A	Control (carb. choke)-6 cyl. only	10A872	★C1AF 10A872-A	Cover (instr. cluster odometer)
01890	C0AF 6401890-B	Control assy. (air)-R. H. or L. H.	10883	C1AZ 10883-A	Gauge (temp.)-less back plate
04264	C0AB 6404264-A	Moulding assy. (instrument panel end upper cover retaining)	10A885	C0AF 10A885-A	Plate (instr. control mtg. choke)
04287	★C0AB 6404287-A	Moulding (instrument panel end upper cover retaining)	10A886	★C0AF 10A886-A	Plate (instr. controls mtg.)-L.H.
△04290		Pad (instrument panel safety)	10887	C1AF 10887-A	Dial (instr. cluster main)
04296	C0AB 6404296-A	Moulding (instrument panel upper cover retaining)	10894	★C1AF 10894-A	Mask (instr. cluster)
04320	★C1AB 6204320-B	Panel (instrument)	10A936	C1AZ 10A936-A	Lens (oil pressure ind. warning lamp)
04366	C0AB 6404366-A	Bracket (instr. panel to pillar)	10A937	C1AZ 10A937-A	Lens (gen. ind. warning lamp)
04371	★C0AZ 6404371-A	Plate (instr. panel radio dial hole)	10A958	★C1AF 10A958-A	Cover (lower instr. panel)-R.H.
04428	★C1AF 6204428-A	Cover (clock opening)	11572	C3AZ 11572-A	Switch (ignition)
04439	C0AB 6404439-F	Retainer (instr. panel moulding)	11581	1A 11581-B	Spring (ignition switch retainer)
04454	C0AB 6404454-AP	Grille (instr. panel radio)-without safety pad	11582	C3AZ 11582-A	Cylinder & keys (ignition)
04454	C0AB 6404454-BP	Grille (instr. panel radio)-with safety pad	11584	C3AZ 11584-A	Bezel (ignition switch)
04460	★C1AB 6204460-A	Plate (instr. panel name)"Galaxie"	11650	C1AF 11650-A	Nut (light switch)
04460	C1AB 7604460-A	Plate (instr. panel name)"Sunliner"	11654	C2AB 11654-A	Switch (light control)
04460	★C1AB 6304460-A	Plate (instr. panel name)"Starliner"	11661	C1AF 11661-A	Knob assy. (light switch)-except Fairlane & Custom "300"
04460	★C1AB 6404460-A	Plate (instr. panel name)"Fairlane 500"	11661	★C1AF 11661-B	Knob assy. (light switch)-Fairlane & Custom "300" only- Repl. by C1AF 11661-A
04460	★C1AB 7104460-A	Plate (instr. panel name)"Country Sedan"	13340	★C1AF 13340-A	Lens (turn indicator lamp)
04460	★C1AB 7104460-B	Plate (instr. panel name)"Country Squire"	13466	B6A 13466-A	Bulb (instr. panel lighting)
	370030-S2 (MM221C)	Nut (sleeve)	14429	FEW 14429-A	Fuse (cigar lighter)
04484	C0AB 6404484-A	Clip (instr. panel radio grille ret.)	15A000	★C1AF 15A000-A	Clock kit (electric)
04590	★C0AB 6404590-A	Retainer (instr. panel cover side)-R. H.	15026	★C0AF 15026-A	Wire & socket (clock)
04591	★C0AB 6404591-A	Retainer (instr. panel cover side)-L. H.	15A044	★C0AF 15A044-A	Cigar lighter kit
04774	C0KZ 6404774-A	Panel (instr. panel cluster finish)-lower-R. H.	15052	C0AF 15052-A	Knob & element (cigar lighter)
04775	C1AB 6204775-B	Panel (instr. panel cluster finish)-lower-L. H.	15055	C2AB 15055-A	Socket & retainer (cigar lighter)
04810	C0AZ 6404810-C	Receptacle (instr. panel ash)	15668	C0AF 15668-A	Switch assy. (top control relay)
04826	C1AZ 6204826-A	Retainer (ash receptacle)	15A670	C0AF 15A670-A	Nut (top control bezel)
06010	C0AB 6406010-A	Compartment assy. (glove)	15676	C0AF 15676-A	Bracket (top control switch mtg.)
06024	★C2AZ 6206024-A	Door assy. (glove compartment)	15805	C0AF 15805-A	Dial (F/M trans. gear shift lever indicator)
06064	C2DZ 6406064-A	Catch (glove compt. door lock striker plate)	17255	C1AZ 17255-#	Speedometer assy.
06081	B9A 6406081-A	Lock assy. (glove compt. door)	17289	★C2AZ 17289-A	Case (speedometer mounting)
			17470	C0AF 17470-H	Control assy. (windshield wiper)
			17B479	★C1AB 17B479-A	Control assy. (windshield wiper)
			17512	C0AF 17512-A	Nut (windshield wiper control)
			17513	C0AF 17513-A	Knob
			18513	C0AF 18513-A	Knob (heater blower switch)
			18519	C1AF 18519-A	Knob (htr. or Select Aire cond. cont)
			18A530	★C1AF 18A530-A	Cover & plate (htr. cont. opening)
			18A540	★C0AF 18A540-B	Bracket (htr. cont. opening cover)
			18545	★C0AF 18545-A	Nut (recirculating heater blower switch)
			18578	C1AZ 18578-A	Switch assy. (fresh air heater or Select Aire conditioner)
			18578	C1AA 18578-A	Switch assy. (recirculating htr.)
			18598	★C0AF 18598-A	Bezel (recirculating htr. control)
			18A651	C1AF 18A651-B	Panel & retainer assy. (heater or Select Aire conditioner control)
			18805	★C1AF 18805-#	Radio kit
			19A884	★C1AF 19A884-C	Bracket assy. (heater control mtg)

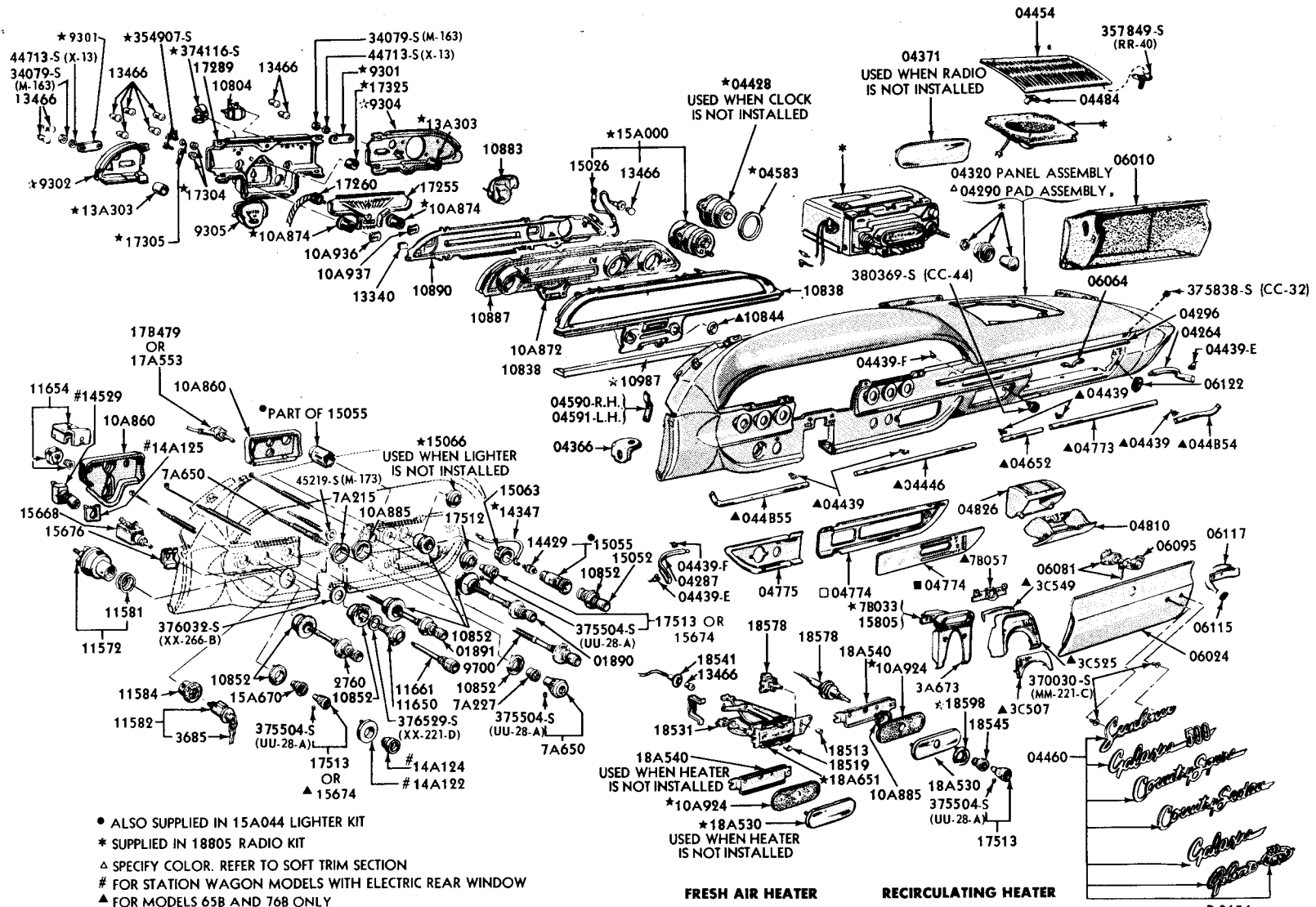
△ Specify Color. Refer to Soft Trim Section.

◇ Before 3/24/61

★ Refer to Basic Group for proper Suffix required.

▲ From 3/24/61

1962 FORD INSTRUMENT PANEL AND RELATED PARTS

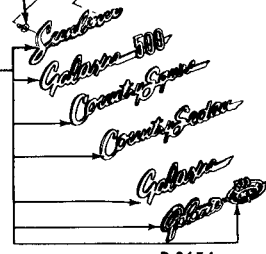


- ALSO SUPPLIED IN 15A044 LIGHTER KIT
- * SUPPLIED IN 18805 RADIO KIT
- △ SPECIFY COLOR. REFER TO SOFT TRIM SECTION
- # FOR STATION WAGON MODELS WITH ELECTRIC REAR WINDOW
- ▲ FOR MODELS 65B AND 76B ONLY
- OUTER FINISH PANEL
- INNER FINISH PANEL

FRESH AIR HEATER

RECIRCULATING HEATER

P-3654



1962 FORD INSTRUMENT PANEL & RELATED PARTS

Group	Part Number	Part Name	Group	Part Number	Part Name
2760	C2AZ 2760-#	Handle (parking brake release)	06122	C0AB 6406122-A	Grommet (door check arm)
3A673	C1AF 3A673-#	Cover (steering column bracket)	10804	B9MZ 10804-C	Regulator (instr. cluster voltage)
▲3C507	★C1MF3C507-AP	Trim assy. (steering column opening cover)	10838	★C2AZ 10838-A	Housing (instr. cluster)
▲3C525	★C2AZ 3C525-C	Cover assy. (moveable steering column opening)	▲10844	★C2AZ 10844-A	Bezel (Instrument Cluster)
▲3C549	★C1MF3C549-AP	Spacer (steering column cover)	10852	#	Bezel
3685	B9A 3685-A	Key (ignition & door lock)		376032-S	Washer (seal light around bezel)
7B033	★C1AF 7B033-A	Dial (C/M gear shift lever)		376529-S	Washer (seal light around bezel)
▲7B057	★C1MF7B057-C	Bracket (gear shift indicator)	10A860	#	Plate (controls mounting)
7A215	C0AF 7A215-A	Bracket (o/drive manual control)	10A872	★C2AF 10A872-A	Cover (instr. cluster odometer)
7A227	C0AF 7A227-A	Nut (overdrive manual control)	10883	C2AZ 10883-A	Gauge (temp.)-less back plate
7A650	C0AA 7A650-A	Cable assy. (O/D manual control)	10A885	C0AF 10A885-A	Plate (instr. control mtg. choke) Plate (instr. control mtg. heater)
7A650	C0AZ 7A650-A	Knob (overdrive manual control)	10887	★C2AF 10887-A	Dial (instrument cluster main)
9305	C2AZ 9305-A	Gauge (fuel)-less back plate	10890	★C2AZ 10890-A	Mask (instrument cluster)
9700	C3OZ 9700-A	Control (carb.choke)-6 cyl. only	10A936	★C0AZ 10A936-A	Lens (oil press. ind. warning lamp)
01890	#	Control assy. (air)-R.H.	10A937	★C0AZ 10A937-A	Lens (gen. indicator warning lamp)
01891	★C2AZ 6201891-A	Control assy. (air)-L. H.	10987	★C2AF 10987-A	Moulding (instr. cluster trim)- (with padded instr. panel only)
04264	C0AB 6404264-A	Moulding assv. (instrument panel end upper cover retaining)	11572	C3AZ 11572-A	Switch (ignition)
04287	★C0AB 6404287-A	Moulding (instrument panel end upper cover retaining)	11581	1A 11581-B	Spring (ignition switch retainer)
▲04290		Pad (instrument panel safety)	11582	C3AZ 11582-A	Cylinder & keys (ignition)
04296	C0AB 6404296-A	Moulding (instrument panel upper cover retaining)	11584	C3AZ 11584-A	Bezel (ignition switch)
04320	★C2AZ 6204320-A	Panel (instrument)	11650	C2AB 11650-A	Nut (light switch)
04366	C0AB 6404366-A	Bracket (instr. panel to pillar)	11654	C2AB 11654-A	Switch (light control)
04371	C0AZ 6204371-A	Plate (instr. panel radio dial hole)	11661	#	Knob (light switch)
04428	★C2AZ 6204428-A	Cover (clock opening)	13340	C2AZ 13340-A	Lens (turn indicator lamp)
04439	C0AB 6404439-#	Retainer (instr. panel moulding)	13466	B6A 13466-A	Bulb (instrument panel lighting)
▲04439	★C1MB 6404439-A		14A122	C1AF 14A122-A	Bezel (rr. window control switch)
▲04446	★C1MB 6404446-A	Moulding (instr. panel inter.)	14A124	C1AZ 14A124-A	Nut (rr. window control switch)
04454	C0AB 6404454-#	Grille (radio)	14A125	C1AF 14A125-A	Bracket (rear window regulator control switch mounting)
▲044B54	★C1MB 64044B54-A	Moulding (instr. panel end) lower-R. H.	14429	FEW 14429-A	Fuse (cigar lighter)
▲044B55	★C1MB 64044B55-A	Moulding (instr. panel end) lower	14529	C1AZ 14529-B	Switch (rr. window control)
04460	★C1AB 6204460-A	Plate (name)-"Galaxie"	15A000	★C2AZ 15A000-A	Clock kit (electric)
04460	★C1AB 7104460-A	Plate (name)-"Country Sedan"	15026	★C2AB 15026-A	Wire & socket (clock)
04460	★C1AB 7104460-B	Plate (name)-"Country Squire"	15A044	★C0AF 15A044-A	Cigar lighter kit
04460	C1AB 7604460-A	Plate (name)-"Sunliner"	15052	15052-#	Knob & element (cigar lighter)
04460	★C2AB 6204460-A	Plate (name)-"Galaxie 500"	15055	C2AB 15055-A	Socket & retainer (cigar lighter)
▲04460	★C2AZ 7604460-A	Plate (name)-"Galaxie"	15063	★C2AZ 15063-A	Adapter (cigar, lighter socket) - Repl. by C3AZ 15063-A
▲04460	C2AZ 7604460-B	Plate (name)-"500 XL"	15668	C2AB 15668-A	Switch assy. (top control relay)
	370030-S2 (MM221C)	Nut (sleeve)	15A670	C0AF 15A670-A	Nut (top control bezel)
04484	C0AB 6404484-A 357849-S100(RR40)	Clip (instr. panel radio grille ret.)	▲15674	C2MY 15674-A	Knob (top, heater air & windshield wiper control)
★04583	C2AF 6204583-A	Gasket (clock opening cover)	15676	C0AF 15676-A	Bracket (top control switch mtg.)
04590	★C0AB 6404590-A	Retainer (cover side)-R. H.	15805	C0AF 15805-A	Dial (F/M gear shift lever)
04591	★C0AB 6404591-A	Retainer (cover side)-L. H.	17255	C2AZ 17255-#	Speedometer assy.
▲04652	★C1MB6404652-A	Moulding (instr. panel lower center)	17260	17260-#	Speedometer cable assy.
▲04773	★C1MB6404773-A	Moulding (glove compt. door)	17289	★C2AZ 17289-A	Case (speedometer mounting)
■04774	C2AZ 6204774-A	Panel (outer finish)-lower-R. H.	17B479	C1AB 17B479-A	Switch & control (windshield wiper & washer)-2 speed motor
□04774	CKZ 6404774-A	Panel (inner finish)-lower-R. H.	17512	C2AB 17512-A	Nut (windshield wiper control)
04775	C2AZ 6204775-A	Panel (instr. finish)-lower-L.H.	17513	C0AF 17513-A	Knob
04810	C0AZ 6404810-C	Receptacle (instr. panel ash)	17A553	C2AZ 17A553-#	Switch (windshield wiper control)
	380369-S(CC44)	Bumper (ash receptacle)	18513	18513-#	Knob (heater blower switch)
04826	C1AZ 6204826-A	Retainer (ash receptacle)	18519	18519-#	Knob (heater or Select Aire conditioner control)
06010	C0AB 6406010-A	Compartment assy. (glove)	18A530	★C2AB 18A530-A	Cover (heater control opening)
06024	★C2AZ 6206024-A	Door assv. (glove compartment)	18531	★C2AZ 18531-A	Bracket assy. (heater control mtg.)
06064	C2DZ 6406064-A	Catch (door lock striker plate)	18A540	★C0AF 18A540-B	Bracket (htr. contr. opening cover)
06081	B9A 6406081-A	Lock assy. (glove compt. door)	18545	★C0AF 18545-A	Nut (heater blower switch)
06095	C0AB 6406095-A	Escutcheon (glove compt. door lock)	18578	C1AZ 18578-A	Switch assv. (fresh air heater or Select Aire conditioner)
06115	B6A 7006115-A	Bumper (glove compt. door arm)	18578	C1AA 18578-A	Switch assy. (recirculating heater)
06117	C2AB 6206117-AP	Stop (glove compartment door)	18A651	★C2AZ 18A651-A	Panel & retainer assy. (heater or Select Aire conditioner control)
			18805	★C2AZ 18805-A	Radio kit

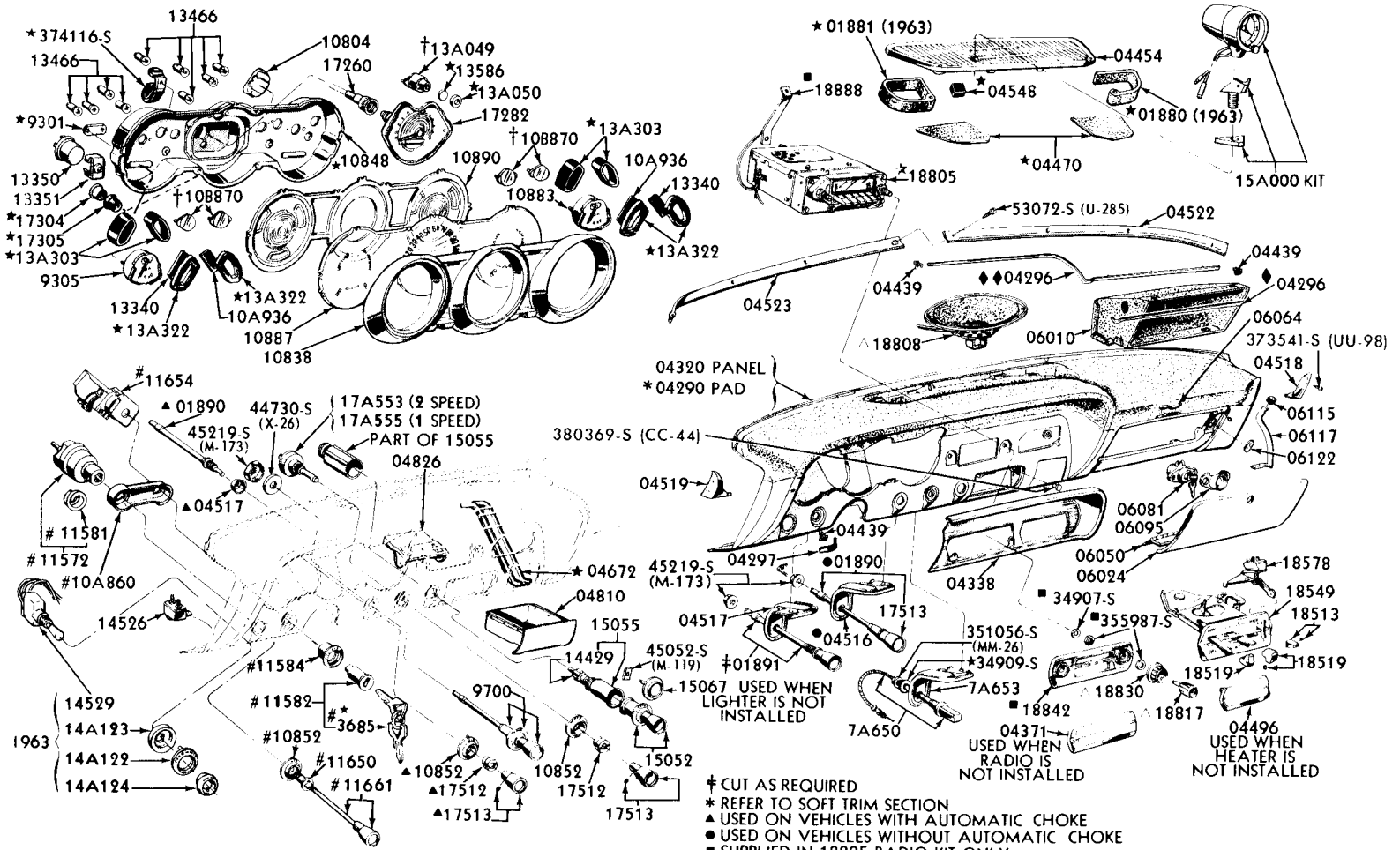
▲ Specify Color. Refer to Soft Trim Section. ♣ Refer to Basic Group for proper Prefix and/or Suffix required.

▲ For Models 65B, 76B only

■ Outer Finish Panel

□ Inner Finish Panel

1962/63 FAIRLANE INSTRUMENT PANEL AND RELATED PARTS



IGNITION SWITCH AND LIGHT SWITCH POSITIONS REVERSED (1963)

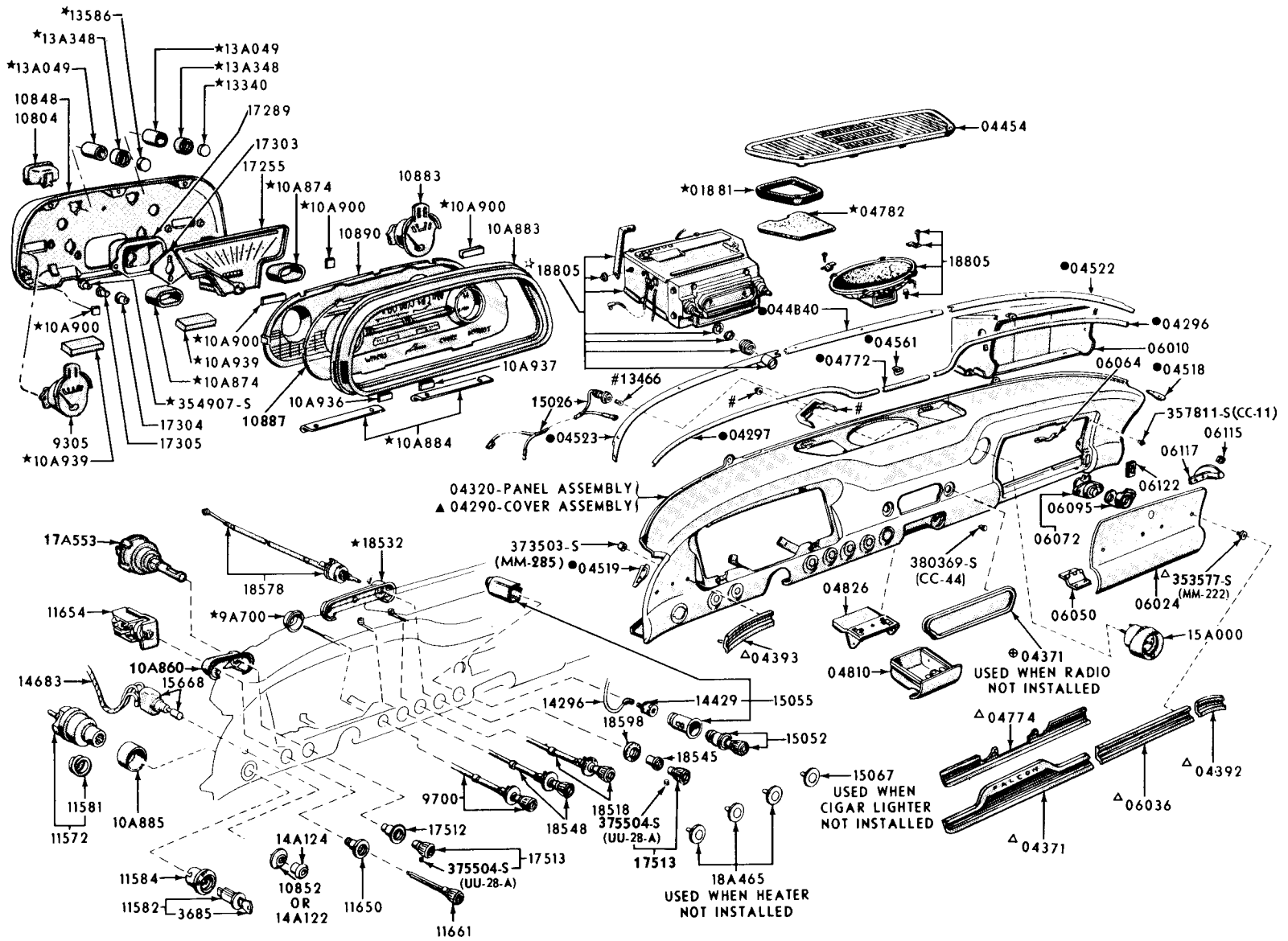
- † CUT AS REQUIRED
- * REFER TO SOFT TRIM SECTION
- ▲ USED ON VEHICLES WITH AUTOMATIC CHOKE
- USED ON VEHICLES WITHOUT AUTOMATIC CHOKE
- SUPPLIED IN 18805 RADIO KIT ONLY
- ◆ USED WITH PANEL 04338
- ◆◆ USED WITHOUT PANEL 04338
- † SUPPLIED IN 10848 PLATE & FILTER ASS'Y.
- △ ALSO SUPPLIED IN 18805 RADIO KIT

1962/63 FAIRLANE INSTRUMENT PANEL & RELATED PARTS

Group	Part Number	Part Name	Group	Part Number	Part Name
3685	B9A 3685-A	Key (ignition & door lock)	10852	C1TF 10852-D	Bezel (wiper)
7A650	C2OZ 7A650-A	Cable assy. (transmission over-drive manual control)	10852	C2OZ 10852-A	Bezel (air)
7A653	C2OZ 7A653-B	Bracket (trans. o/drive control)-	10A860	★C2OZ 10A860-A	Plate (controls mtg.)-L.H.- 1962
9305	C2OZ 9305-A	Gauge(fuel)-less back plate-1962	10A860	C3OZ 10A860-A	Plate (controls mtg.)-L.H.- 1963
9305	C3OZ 9305-A	Gauge(fuel)-less back plate-1963	10879	★FDM 10879-AP	Bracket (alternator ammeter) - Repl. by B6AZ 10847-A
9700	C2OZ 9700-B	Control (carb. choke)-6 cyl. only (1962)	10883	C2OZ 10883-A	Gauge(temp.)-less back plate-1962
9700	C3OZ 9700-A	Control(carb.choke)-6 cyl.only (1963)	10883	C3OZ 10883-A	Gauge(temp)-less backplate-1963
01890	C2AZ 6201890-B	Control assy. (air)-R. H.	10887	C2OZ 10887-A	Dial (instrument cluster main)-1962
●01890	C2OZ 6201890-C	Control assy. (air)-R. H.	10887	C3OZ 10887-A	Dial (instr. cluster main)- 1963
†01891	C2OZ 6201890-C	Control assy. (air)-L. H.	10890	★C2OZ 10890-A	Mask (instrument cluster)-1962
★04290		Pad (instrument panel safety)	10890	C3OZ 10890-A	Mask (instrument cluster)- 1963
04296	C2OZ 6204296-B	Moulding (pad retaining)-R. H.	10A936	C2OZ 10A936-A	Lens (oil pressure indicator & generator warning lamp)
04296	C2OZ 6204296-A	Moulding (pad retaining)-R. H.	11572	C3AZ 11572-A	Switch (ignition)
04297	C2OZ 6204297-A	Moulding (pad retaining)-L. H.	11581	1A 11581-B	Spring (ignition switch retaining)
04320	C3OZ 6204320-B	Panel (instrument)	11582	C3AZ 11582-A	Cylinder & keys (ignition)
04338	C2OZ 6204338-A	Panel assy. (finish)	11584	C3AZ 11584-A	Bezel (ignition switch)- 1963
04371	#	Plate (radio opening)	11650	★C2OB 11650-A	Nut (light switch)- 1962
04439	C2OZ 6204439-A	Retainer (moulding)	11650	C3OZ 11650-A	Nut (light switch)- 1963
04454	C2OB 6204454-AP	Grille (radio)	11654	C2OB 11654-A	Switch (light control)
04470	★	Cover (defroster opening)	11661	C2OB 11661-B	Knob (light switch)- 1962
04496	#	Cover (heater control opening)	11661	C3OZ 11661-A	Knob & insert (light switch)- 1963
●04516	#	Bracket (ventilator air control mounting)-R. H.	13340	C2OZ 13340-A	Lens (instrument panel turn indicator lamp)
04517	#	Bracket (ventilator air control mounting)-L. H.	13350	#	Flasher assy. (turn indicator)
04517	#	Bracket (vent. air control mtg.)	13351	B5A 13351-A	Bracket (turn indicator flasher mounting)
04518	C2OZ 6204518-A	Moulding (pad retaining)-R. H.	13466	#	Bulb (instrument panel lighting)
04519	C2OZ 6204519-A	Moulding (pad retaining)-L. H.	14A122	C0DF 14A122-B	Bezel (rear window control switch)-(1963)
04522	C2OZ 6204522-A	Moulding (pad retaining top)-R.H.	14A123	C3OZ 14A123-A	Spacer (rear window control switch)-(1963)
04523	C2OZ 6204523-A	Moulding (pad retaining top)-L.H.	14A124	C1AZ 14A124-A	Nut (rear window control switch) (1963)
04548	★	Support (radio grille)	14429	FEW 14429-A	Fuse assy. (cigar lighter)
04672	★C2OZ 6204672-A	Brace (lower flange to cowl inner panel)	14526	#	Circuit breaker assy. (electric windshield wiper)
04810	C3OZ 6204810-A	Receptacle assy. (ash)	14529	C3OZ 14529-A	Switch (rear window regulator control)-(1963)
04826	380369-S(CC44)	Bumper (ash receptacle)	15A000	C3OZ 15A000-A	Clock kit (electric) - Repl. by C7DZ 15A000-A
06010	C2OZ 6204826-A	Retainer assy. (ash receptacle)	15052	#	Knob & element assy. (cigar lighter)
06010	C2OZ 6206010-A	Compartment assy. (glove)	15055	C2AB 15055-A	Socket & retainer assy. (cigar lighter)
06024	#	Door assy. (glove compartment)	15067	C2OB 15067-A	Cover (instr. panel cigar lighter opening)
	377781-S(CC34)	Bumper (glove compartment door)	17255	#	Speedometer assy.
06050	#	Hinge assy. (glove compt. door)	17260	#	Speedometer cable assy.
06064	C2OZ 6206064-A	Catch (glove compartment door lock striker plate)	17304	FDR 17304-A	Grommet (speedometer case)
06081	C2OZ 6206081-A	Lock (glove compartment door)	17305	FDR 17305-A	Retainer (speedometer case grommet)
06095	C0AB 6406095-A	Escutcheon (glove compartment door lock)	17512	C3OZ 17512-A	Nut (windshield wiper control)
06115	B6A 7006115-A	Bumper (glove compt. door arm)	17513	#	Knob assy. (windshield wiper or air control)
06117	C2OB 6206117-AP	Stop (glove compartment door)	17A553	C2OZ 17A553-A	Switch (2 speed w/s wiper)
06122	#	Grommet (glove compartment door check arm)	17A555	#	Switch assy. (single speed w/s wiper)
10804	B9MZ 10804-C	Regulator (instr. cluster voltage)	18513	C2OZ 18513-A	Knob assy. (heater blower switch)
10838	C3OZ 10838-A	Housing (instrument cluster)	18519	C4OZ 18519-A	Knob (heater control)
10847	C2AZ 10847-A	Bracket (alternator ammeter mtg.)	18549	C2OZ 18549-A(62)	Panel assy. (heater control)- less switch, knob and screws
10848	★C2OZ 10848-A	Plate & filter assy. (instrument cluster back)- 1962	18549	C3OZ 18549-A(63)	Panel assy. (heater control)- less switch, knob and screws
10848	C3OZ 10848-A	Plate & filter assy. (instrument cluster back)- 1963	18578	C2OZ 18578-A	Switch assy. (heater)
10850	B9A 10850-A	Ammeter	18805	★C3OZ 18805-A	Radio kit (push button)-(1963)
10852	C1TF 10852-C	Bezel (lights)			

Δ Used on units w/ automatic choke ● Used on units w/o automatic choke * Refer to Soft Trim Section
 † Cut as required ◇ Used with panel 04338 ◇◇ Used without panel 04338
 ‡ Refer to Basic Group for complete part number

1963 FALCON INSTRUMENT PANEL & RELATED PARTS



● USED ONLY WHEN SAFETY COVER IS INSTALLED
 ▲ SPECIFY COLOR REFER TO SOFT TRIM SECTIONS
 △ FOR MODELS 54B, 62B, 62C, 63, 76 ONLY
 ● EXCEPT MODELS 54B, 62B, 62C, 63, 76.

1963 FALCON INSTRUMENT PANEL & RELATED PARTS

Group	Part Number	Part Name	Group	Part Number	Part Name
	3685 B9A 3685-A	Key (ignition & door lock)		10883 C3DZ 10883-A	Gauge (temperature)
	9305 C3DZ 9305-A	Gauge (fuel)		10A883 C3DZ 10A883-A	Bezel (instrument cluster)
	9700 C3DZ 9700-A	Control (carburetor choke)		10A885 C0DF 10A885-A	Plate (instrument cluster control mounting)-ignition
	01881 ★C0DB6401881-A	Seal (windshield defroster opening)		10887 C3DZ 10887-A	Dial (instrument cluster)
	▲04290	Pad (instrument panel safety)		10890 C3DZ 10890-C	Mask (instrument cluster)
	●04296 C0DB 6404296-B	Moulding (instrument panel)-R.H.		10A936 C3DZ 10A936-A	Lens (oil pressure indicator warning lamp)
	●04297 C0DB 6404297-B	Moulding (instrument panel)-L.H.		10A937 C3DZ 10A937-A	Lens (generator indicator warning lamp)
	04320 C0DZ 6404320-D	Panel assy. (instrument)		11572 C3AZ 11572-A	Switch (ignition)
	⊕04371 C0DF 6404371	Plate (instrument panel radio dial hole)		11581 1A 11581-B	Spring (ignition switch retaining)
	△04371 C3DZ 6204371-A	Panel (instrument panel finish end)-R. H.		11582 C3AZ 11582-A	Cylinder & keys (ignition)
	△04392 C3DZ 6204392-A	Panel (instrument panel finish end)-L. H.		11584 C3AZ 11584-A	Bezel (ignition switch)
	△04393 C3DZ 6204393-A	Moulding (instrument panel top center)		11650 C1DF 11650-A	Nut (light switch)
	●044B40 C1DB 64044B40-AP	Grille (instrument panel radio)		11654 C2DZ 11654-A	Switch (light control)
	04454 C0DB 6404454-BP	Moulding (instrument panel end)-R. H.		11661 C1DF 11661-A	Knob & insert (lighting switch)- (except "Futura")
	●04518 C0DB 6404518-BP	Moulding (instrument panel end)-L. H.		11661 C2DZ 11661-A	Knob & insert (lighting switch)- "Futura" only
	●04519 C0DB 6404519-BP	Moulding (instrument panel upper)-R. H. -(except 63, 76)		13466	Bulb (instrument lighting)
	●04522 ★C1DB6404522-AP	Moulding (instrument panel upper)-L. H. -(except 63, 76)		14A122 C3DZ 14A122-A	Bezel (tailgate window switch)
	●04522 C3DZ 7604522-A	Moulding (instrument panel upper)-R. H. -(except 63, 76)		14A124 C0DF 14A124-A	Nut (top or tailgate window control switch)
	●04523 ★C1DB6404523-AP	Moulding (instrument panel upper)-L. H. -(except 63, 76)		14429 FEW 14429-A	Fuse (cigar lighter)
	●04523 C3DZ 7604523-A	Moulding (instrument panel upper)-L. H. -(except 63, 76)		14683	Wiring (tailgate window regulator feed)
	●04561 C0DB 6404561-C	Clip (instrument panel moulding)		15A000 ★C2DZ 15A000-A	Clock (electric)
	●04772 C0DB 6404772-C	Moulding (instrument panel center)		15026 ★C2DB15026-A	Wiring (electric clock)
	△04774 C3DZ 6204774-A	Panel (instrument panel finish center)		15A044 ★C2DZ 15A044-A	Cigar lighter kit
	04782 ★C0DB6404782-A	Cover (instrument panel radio grille)		15052	Knob & element (cigar lighter)
	04810 C3DZ 6204810-A	Receptacle assy. (instrument panel ash)		15055 C0DZ 15055-A	Socket & retainer (cigar lighter)
	04826 C0DB 6404826-A	Retainer (instrument panel ash receptacle)		15067 C0DF 15067-B	Cover (instrument panel cigar lighter opening)
	06010 C0DZ 6406010-A	Compartment assy. (glove)		15668 C3DZ 15668-A	Switch (top or tailgate window control)
	06024 C0DZ 6406024-B	Door assy. (glove compartment)		17255 C2GY 17255-A	Speedometer
	△06036 C3DZ 6206036-A	Panel (glove compartment door finish)		17289 C0DZ 17289-A	Case (speedometer mounting)
	06050 C0DB 6406050-A	Hinge assy. (glove compartment door)		17303 C2SZ 17303-A	Gasket (speedometer case)
	06064 C2DZ 6406064-A	Catch (glove compartment door latch)		17304 FDR 17304-A	Grommet (speedometer case)
	06072 C2DZ 6406072-A	Latch assy. (glove compartment door)-non-locking		17305 FDR 17305-A	Retainer (speedometer case grommet)
	06095 C0AB 6406095-A	Escutcheon (glove compartment door latch)		17512 B7A 17512-B	Nut (windshield wiper control)
	06115 B6A 7006115-A	Bumper (glove compartment door arm)		17513 C0DF 17513-A	Knob (windshield wiper or air control)-except 62C, 63, 76
	06117 C0DB 6406117-EP	Stop (glove compartment door)		17513 C2OB 17513-A	Knob (windshield wiper or air control)-62C, 63, 76
	06122 C0AB 6406122-A	Grommet (glove compartment door check arm)		17A553	Switch (windshield wiper control)
	10804 B9MZ 10804-C	Regulator (instrument cluster voltage)		18A465 C0DF 18A465-B	Cover (instrument panel heater control opening)
	10848 C3DZ 10848-A	Plate (instrument cluster back)		18518	Control (heater temperature)
	10852 C3DZ 10852-A	Bezel (top control)		18545 C0DF 18545-A	Nut (heater blower switch)
	10A860 C3DZ 10A860-A	Plate (instrument cluster control mounting)-L. H.		18548	Control (heater defroster & air)
				18578 C2DZ 18578-A	Switch (heater blower)
				18598 C0DF 18598-A	Bezel (heater switch)
				18805 ★C3DZ 18805-A	Radio kit (push button)
				18808 ★C4DZ 18808-A	Speaker (radio receiver)

● Refer basic group for proper prefix and suffix

▲ Refer to Soft Trim Section

△ For Models 54B, 62B, 62C, 63, 76 only

● Used only when Safety Cover is installed.

⊕ Except Models 54E, 62B, 62C, 63, 76. Refer to group for proper suffix.

1963 FORD-CUSTOM & GALAXIE INSTRUMENT PANEL & RELATED PARTS

Group	Part Number	Part Name	Group	Part Number	Part Name
3C571	C3AZ 3C571-C	Guide (instr. panel movable steering column opening)	10A841	C4AZ 10A841-A	Lamp & wiring assy. (parking brake warning)
3A673	C3AZ 3A673-B	Cover assy. (movable steering column opening)	10847	C2AZ 10847-A	Bracket assy. (alt. ammeter mtg.)
3685	B9A 3685-A	Key (ignition & door lock)	10848	C3AZ 10848-A	Plate & filter (instr. panel back)
9302	C3AZ 9302-A	Plate (fuel gauge back)	10A848	B9FM 10A848-A	Spring (parking brake warning lamp)
9304	C3AZ 9304-A	Plate (temperature gauge back)	10850	B9A 10850-A	Ammeter (use with 60 amp. alt.)
9305	C3AZ 9305-A	Gauge (fuel)-less back plate	10852	#	Bezel
9313	C3AZ 9313-A	Mask (fuel gauge)		376032-S	Washer (seal light around bezel)
9313	C3AZ 9313-B	Mask (temperature gauge)		376529-S	Washer (seal light around bezel)
9B314	C3AZ 9B314-A	Bezel (fuel gauge)	10A860-	C3AZ 10A860-A	Plate (instr. cluster control mounting)-R. H.
		Bezel (temperature gauge)	10A860	C3AZ 10A860-B	Plate (instr. cluster control mounting)-L. H.
9700	C3AZ 9700-B	Control (carb. choke)6 cyl. only	10876	C3AZ 10876-A	Bezel (instrument cluster)
9A700	C3AZ 9A700-A	Bracket (choke control mtg.)-except with A/C-(6 cyl. only)	10879	★FDM 10879-AP	Brkt. assy. (alternator ammeter)-Repl. by B6AZ 10847-A
9A700	C3AZ 9A700-B	Bracket (choke control mtg.)-with "Select Aire" A/C-(6 cyl.)	10883	C3AZ 10883-A	Gauge (temp.)less back plate
9A700	C3AZ 9A700-C	Bracket (choke control mtg.)-with "Ford Aire" A/C (6 cyl. only)	10B883	C3AZ 10B883-A	Cover (instr. cluster trim)
9B739	C3AZ 9B739-A	Knob (choke control)-6 cyl. only	10887	C3AZ 10887-A	Dial (instr. cluster main)
015A08	C3AZ 76015A08-A	Brace (brake pedal support to instrument panel)	10890	C3AZ 10890-A	Mask (instrument cluster)
017A30	C3AZ 62017A30-A	Spring assy. (steering column cover retaining)	10B890	C3AZ 10B890-A	Lens assy. (temperature gauge)
01890	C3AZ 6201890-#	Control assy. (air)-R. H.	10B890	C3AZ 10B890-B	Lens assy. (fuel gauge)
01891	C3AZ 6201891-#	Control assy. (air)-L. H.	10A936	C3AZ 10A936-A	Lens(oil press. ind. warning lamp)
019A10	C3AZ 62019A10-A	Nut (air control bezel)	10A937	C3AZ 10A937-A	Lens (gen. ind. warning lamp)
04278	C3AZ 6204278-A	Clip (safety cover retainer)	11572	C3AZ 11572-A	Switch (ignition)
*04290	#	Pad (instrument panel safety)	11581	1A 11581-B	Spring (ignition switch retainer)
04320	#	Panel assy. (instrument)	11582	C3AZ 11582-A	Cylinder and keys (ignition)
04366	C0AB 6404366-A	Bracket (instr. panel to pillar)	11584	C3AZ 11584-A	Bezel (ignition switch)
04371	#	Plate (instr. panel radio dial hole)	11650	C2AB 11650-A	Nut (light switch)
04396	C3AZ 6204396-A	Bracket (instr. panel clock opening cover mounting)	11654	C3AZ 11654-D	Switch (light control)
04428	C3AZ 6204428-A	Cover (clock opening)	11661	C3AZ 11661-A	Knob & insert (light switch)
04454	C3AZ 6204454-B	Grille (instrument panel radio)	13340	C2AZ 13340-A	Jewel (turn indicator lamp)
04460	#	Plate (name)	13466	#	Bulb (instr. panel lighting)
04496	#	Cover (heater control opening)	14A122	C1AF 14A122-A	Bezel(rear window reg. switch)
04548	★	Support (instr. panel radio grille)	14A125	C1AF 14A125-A	Bracket(rear window regulator switch mounting)
045B53	C3AZ 62045B53-A	Cover (instr. panel defroster opening flange)	14413	C3AZ 14413-A	Switch & wire (luggage compartment lamp)
045B64	★	Spacer (instr. panel radio grille)-rear	14429	FEW 14429-A	Fuse (cigar lighter)
04774	C3AZ 6204774-A	Panel(instr. panel finish)-R. H.	14683	#	Wiring(rear window reg. feed)
04775	#	Panel (instr. panel finish)-L. H.	15A000	★C3AZ 15A000-A	Clock kit (electric)
04810	C3AZ 6204810-C	Receptacle assy. (instr. panel ash)	15026	C3MY 15026-A	Wire & socket (electric clock)
04826	C3AZ 6204826-A	Retainer assy. (instr. panel ash receptacle)	15052	C3AZ 15052-A	Knob & element (cigar lighter)
06010	C3AZ 6206010-A	Compartment assy. (glove)	15055	C2AB 15055-A	Socket & retainer (cigar lighter)
06024	C3AZ 6206024-A	Door assy. (glove compartment)	15063	C3AZ 15063-A	Adapter (cigar lighter socket)
06036	C3AZ 6206036-A	Panel (glove compt. door finish)	15668	C3DZ 15668-A	Switch (top control or rear window regulator)
06050	C2OB 6206050-A	Hinge assy. (glove compt. door)	15A670	C3AZ 15A670-A	Nut (top control or rear window switch bezel)
06064	C3AZ 6206064-A	Catch (glove compartment door lock striker plate)	17255	#	Speedometer assy.
06081	B9A 6406081-A	Lock assy. (glove compt. door)	17260	#	Speedometer cable assy.
06095	C0AB 6406095-A	Escutcheon (glove compt. door lock)	17304	FDR 17304-A	Grommet (speedometer case)
06115	B6A 7006115-A	Bumper (glove compt. door arm)	17305	FDR 17305-A	Retainer (speedo. case grommet)
06117	C3AZ 6206117-A	Stop (glove compt. door)	17512	#	Nut (w/s wiper control)
06122	C3AZ 6206122-A	Grommet (glove compt. door check arm)	17513	#	Knob assy.
10A665	#	Wiring assy. (ammeter)-use with 60 amp. alternator	17A553	#	Switch (w/s wiper)
10804	B9MZ 10804-C	Regulator (instr. cluster voltage)	18513	C3AZ 18513-A	Knob (heater blower switch)
10838	C3AZ 10838-A	Housing (instr. cluster)	18519	#	Knob (heater control)
10A840	C3AZ 10A840-A	Bezel (park. brake warning lamp)	18531	C3AZ 18531-A	Bracket (heater control mounting)
			18541	C1AF 18541-A	Socket & wire (htr. control panel)
			18578	C3AZ 18578-A	Switch (heater blower)
			18A651	C3AZ 18A651-B	Panel & retainer (heater control)
			18805	★C3AZ 18805-A	Radio kit (AM)
			18808	★C3MY 18808-A	Speaker (radio receiver)
			18A952	C3MY 18A952-A	Resistor (radio suppression choke)
			18981	FEK 18981-A	Wire & socket (ash receptacle lamp)

* Refer to Soft Trim Section

‡ Refer to Basic Group for proper Prefix and/or Suffix required

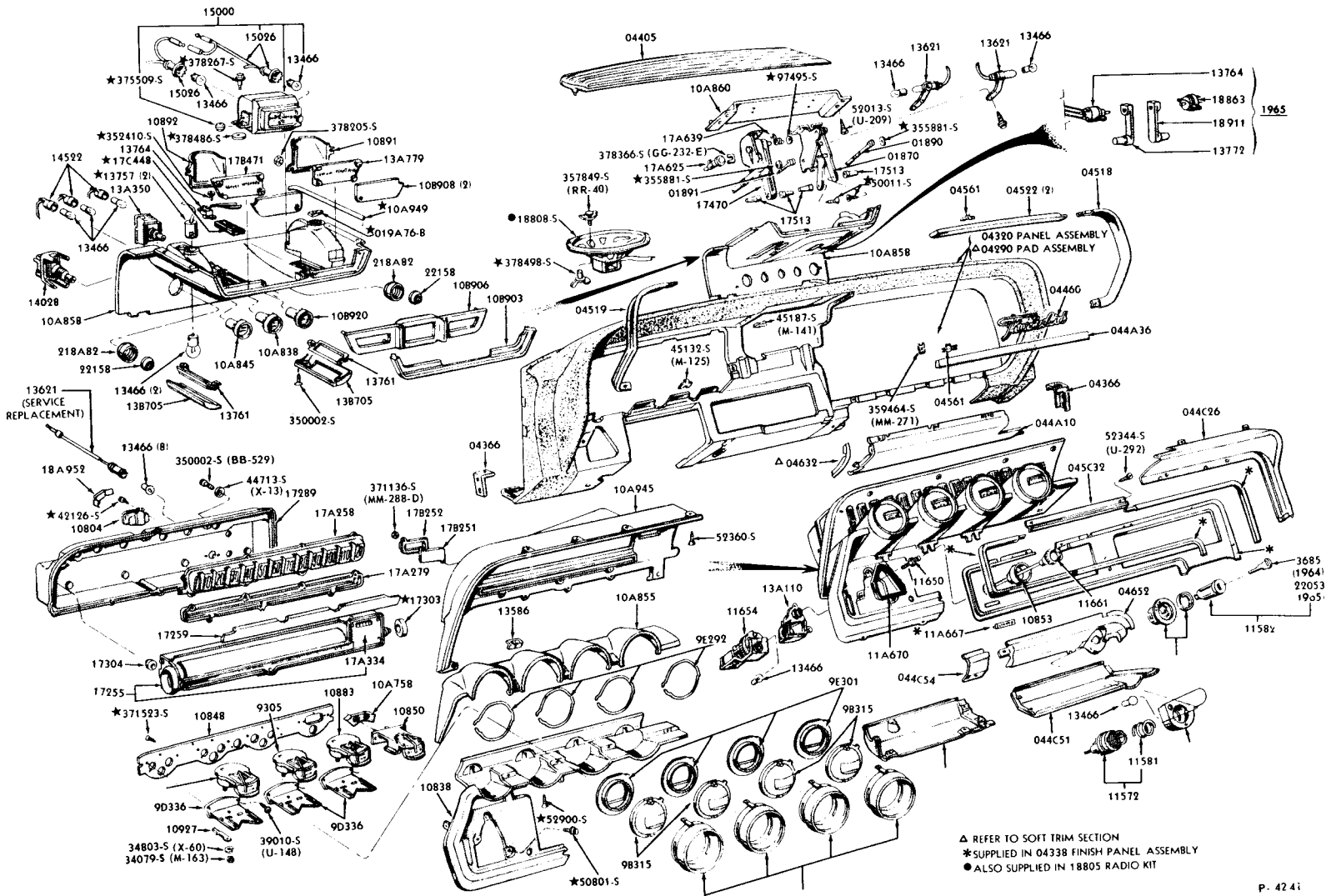
1964 FORD-CUSTOM & GALAXIE INSTRUMENT PANEL & RELATED PARTS

Group	Part Number	Part Name	Group	Part Number	Part Name
3C571	C4AZ 3C571-A	Track (movable steering column)	10850	B9A 10850-A	Ammeter assy.
3A673	C4AZ 3A673-A	Cover (movable steering column opening)	10852	#	Bezel
3685	B9A 3685-A	Key (ignition & door lock)		376032-S	Washer (seal light around bezel)
9302	C3AZ 9302-A	Plate (fuel gauge back)		376529-S	Washer (seal light around bezel)
9304	C3AZ 9304-A	Plate (temperature gauge back)	10A860	C4AZ 10A860-D	Plate (mounting)-R, H.
9305	C4AZ 9305-A	Gauge (fuel)-less back plate		C4AZ 10A860-A	Plate (mounting)-L, H.
9313	C4AZ 9313-A	Mask (fuel & temperature gauge)	10B870	C4MY 10B870-A	Filter (instr. cluster light)-R, H.
9B314	C3AZ 9B314-A	Bezel (fuel gauge)		C4MY 10B870-B	Filter (instr. cluster light)-L, H.
		Bezel (temperature gauge)	10876	C4AZ 10876-A	Bezel (instrument cluster)
9700	C3AZ 9700-B	Control (carb. choke)-6 cyl. only	10879	★B6AZ 10879-A	Brkt. assy. (alternator ammeter) -Repl. by B6AZ 10847-A
9A700	C3AZ 9A700-A	Bracket (choke control mtg.)- except with A/C- 6 cyl. only	10883	C4AZ 10883-A	Gauge (temp.)less back plate
9A700	C3AZ 9A700-C	Bracket (choke control mtg.)- with A/C- 6 cyl. only	10B883	C3AZ 10B883-A	Cover (instr. cluster trim)
9B739	C3AZ 9B739-A	Knob (choke control)-6 cyl. only	10887	C4AZ 10887-A	Dial (instr. cluster main)
Δ015A08	C3AZ 76015A08-A	Brace (brake pedal support to instrument panel)	10890	C4AZ 10890-A	Mask (instrument cluster)
017A30	C3AZ 62017A30-A	Spring assy. (steering column cover retaining)	10B890	C4AZ 10B890-A	Lens assy. (temperature gauge)
Δ01771	★	Pad (stng. col. opening cover plate)	10B890	C4AZ 10B890-B	Lens assy. (fuel gauge)
01890	C3AZ 6201890-A	Control assy. (air)-R, H.	11572	C3AZ 11572-A	Switch (ignition)
01891	#	Control assy. (air)-L, H.	11581	1A 11581-B	Spring (ignition switch retainer)
019A10	C4AZ 62019A10-A	Nut (air control bezel)	11582	C3AZ 11582-A	Cylinder and keys (ignition)
04278	C3AZ 6204278-A	Clip (safety cover retainer)	11584	C3AZ 11584-A	Bezel (ignition switch)
*04290	#	Pad (instrument panel safety)	11650	C4AZ 11650-A	Nut (light switch)
04320	#	Panel assy. (instrument)	11654	#	Switch (light control)
04366	C0AB 6404366-A	Bracket (instr. panel to pillar)	11661	C4AZ 11661-A	Knob & insert (light switch)
04371	C4AZ 6204371-A	Plate (instr. panel radio dial hole)	13340	C2AZ 13340-A	Jewel (turn indicator lamp)
04396	C3AZ 6204396-A	Bracket (instr. panel clock opening cover mounting)	13466	#	Bulb (instr. panel lighting)
	# 04428	Cover (clock opening)	13621	C4AZ 13621-A	Socket & wire (instrument panel)
04454	C3AZ 6204454-B	Grille (instrument panel radio)	14A122	C1AF 14A122-A	Bezel (rear window reg. switch)
04460	#	Plate (name)	14A124	C1AZ 14A124-A	Nut (rear window control switch Bezel)
04484	C4AZ 6204484-A	Clip (instr. panel radio grille ret.)	14A125	C1AF 14A125-A	Bracket (top control or rear window reg. switch mounting)
04496	# 04496	Cover (heater control opening)	14413	C3AZ 14413-A	Switch & wire (glove cmpt. lamp)
04548	★	Support (instr. panel radio grille)	14429	FEW 14429-A	Fuse (cigar lighter)
045B52	C4AZ 54045B52-A	Cover (instr. panel defroster opening flange)	14683	C4AZ 14683-E	Wiring (rear window reg. feed)
04774	C4AZ 6204774-A	Panel (instr. panel finish)-R, H.			
04775	#	Panel (instr. panel finish)-L, H.	15A000	★C4AZ 15A000-A	Clock kit (electric)
04810	C3AZ 6204810-C	Receptacle assy. (instr. panel ash)	15009	C4AZ 15009-A	Bezel (electric clock)
04826	C3AZ 6204826-A	Ret. assy. (instr. panel ash recept.)	15026	★COMF 15026-A	Wire & socket (electric clock)
06010	C3AZ 6206010-A	Compartment assy. (glove)	15052	C4AZ 15052-A	Knob & element (cigar lighter)
06024	C4AZ 6206024-A	Door assy. (glove compartment)	15055	#	Socket & retainer (cigar lighter)
06036	C4AZ 6206036-A	Panel (glove compt. door finish)	15063	C3AZ 15063-A	Adapter (cigar lighter socket)
06050	C2OB 6206050-A	Hinge assy. (glove compt. door)	15668	C3DZ 15668-A	Switch (top control or rear window regulator)
06064	C3AZ 6206064-A	Catch (glove compartment door lock striker plate)	15A670	C3SZ 15A670-A	Nut (top control switch bezel)
06081	B9A 6406081-A	Lock assy. (glove compt. door)	17255	#	Speedometer assy.
06095	C0AB 6406095-A	Esc. (glove compt. door lock)	17260	#	Speedometer cable assy.
06115	B6A 7006115-A	Bumper (glove compt. door arm)	17303	C2SZ 17303-A	Gasket (speedometer case)
06117	C3AZ 6206117-A	Stop (glove compt. door)	17304	FDR 17304-A	Grommet (speedometer case)
06122	C3AZ 6206122-A	Grommet (glove compt. door check arm)	17305	FDR 17305-A	Ret. (speedometer case grommet)
10A665	#	Wiring assy. (ammeter)	17A317	★C4AF 17A317-A	Spacer (rubber-speedometer dial)
10804	B9MZ 10804-C	Regulator (instr. cluster voltage)	17512	#	Nut (w/s wiper control)
10838	C3AZ 10838-A	Housing (instr. cluster)	17513	#	Knob assy.
10A840	C3AZ 10A840-A	Bezel (park. brake warning lamp)	17A553	#	Switch (w/s wiper)
10A841	C4AZ 10A841-A	Lamp & wiring assy. (parking brake warning)	18519	C4AZ 18519-A	Knob (heater control)
10847	C2AZ 10847-A	Bracket assy. (ammeter mtg.)	18531	C3AZ 18531-A	Bracket (heater control mounting)
10848	C3AZ 10848-A	Plate assy. (instr. cluster back)	18541	FEG 18541-A	Socket & wire (htr. control panel)
10A848	B9FM 10A848-A	Spring (parking brake warning lamp retaining)	18578	C3AZ 18578-A	Switch (heater blower)
			18A651	C4AZ 18A651-A	Panel & retainer (heater control)
			18805	#	Radio kit
			18808	C5AZ 18808-C	Speaker (radio-dash panel mtd.)
			18817	C4AZ 18817-A	Knob (radio volume control)
			18A952	C3MY 18A952-A	Resistor (radio suppression choke)
			18981	FEK 18981-A	Wire & socket (ash receptacle lamp)

* Refer to Soft Trim Section

★ Refer to Basic Group for proper Prefix and/or Suffix required

Δ For vehicles equipped with Movable Steering Column



Δ REFER TO SOFT TRIM SECTION
 * SUPPLIED IN 04338 FINISH PANEL ASSEMBLY
 ● ALSO SUPPLIED IN 18805 RADIO KIT

1964 THUNDERBIRD INSTRUMENT PANEL & RELATED PARTS

1964 / THUNDERBIRD INSTRUMENT PANEL and RELATED PARTS

Group	Part Number	Part Name	Group	Part Number	Part Name
3685	B9A 3685-A	Key (ignition & door lock)-blank (1964)	10A855	C4SZ 10A855-A	Lens (instr. panel controls ident.)
9A283	C4SZ 9A283-A	Bezel (fuel gauge)-4 reqd. - (1) fuel gauge, (1) oil gauge (1) temperature gauge (1) ammeter assy.	10A858	#	Housing (instr. cluster control)
9E292	C4SZ 9E292-A	Spring (fuel indicator lens ret.)-4 required	10A860	C4SZ 10A860-A	Plate (instrument cluster ignition switch mounting)
9E301	C4SZ 9E301-A	Filter (fuel level indicator light) 4 reqd.-(1) fuel gauge (1) oil gauge, (1) temp. gauge, (1) ammeter	10A860	C4SZ 10A860-C	Plate (instr. cluster control mtg.)
9305	C4SZ 9305-A	Gauge assy. (fuel)	10883	C4SZ 10883-A	Gauge (temperature)
9B308	C4SZ 9B308-A	Gauge assy. (oil pressure)	10B903	C4SZ 10B903-A	Bezel (instrument cluster control housing)
9B315	C4SZ 9B315-B	Lens (fuel level gauge)-4 reqd. - (1) fuel gauge, (1) oil gauge, (1) temperature gauge, (1) ammeter assy.	10B906	C4SZ 10B906-A	Escutcheon (instrument cluster control housing)
9D336	C4SZ 9D336-A	Bracket (fuel gauge mounting) - 3 reqd. -(1) fuel gauge, (1) oil pressure gauge, (1) temp. gauge	10B908	C4SZ 10B908-A	Lens (instr. cluster control hsg.)
01870	C4SZ 6301870-B	Bracket (air control mounting)	10B920	C4SZ 10B920-A	Bezel (emergency warning indicator lamp)
01890	C4SZ 6301890-C	Control assy. (air)-R. H.	10927	C4SZ 10927-A	Terminal (instr. cluster gauge)
01891	C4SZ 6301891-C	Control assy. (air)-L. H.	10A945	C4SZ 10A945-A	Housing (speedometer)
019A76	★C4SB 63019A76-B	Bumper (air control arm)	11572	C3AZ 11572-A	Switch (ignition)-1964
04290	#	Pad (instrument panel safety)	11580	C4SZ 11580-B	Bezel (ignition switch)-1964
04320	C4SZ 6304320-B	Panel assy. (instrument)	11581	1A 11581-B	Spring (ign. switch ret.) -1964/65
04338	#	Panel (instrument panel finish)	11582	C3AZ 11582-A	Cyl. & keys (ign. switch lock)-1964
04366	C4SZ 6304366-A	Bracket (instr. panel to pillar)	11650	C4SZ 11650-A	Nut (light switch)
044B07	#	Panel (instrument panel extension finish)	11654	C4VY 11654-A	Switch (head lamp)-1964
044A10	#	Panel assy. (instrument panel finish)-lower	11661	C4SZ 11661-A	Knob & shaft (light switch)
044C26	#	Moulding (instr. panel)-upper	11A667	C4SZ 11A667-A	Lens (light switch)
044A36	★C4SZ 63044A36-A	Moulding (instrument panel pad retaining)-lower	11A670	C4SZ 11A670-A	Seal (head lamp switch)
044C50	#	Panel (console panel radio access)-R. H.	13A110	C4SZ 13A110-A	Housing (head lamp switch)
044C51	#	Panel (console panel radio access)-L. H.	13A350	#	Switch (emergency warning)
044C54	C4SZ 63044C54-A	Cap (console panel finish mldg.)	13466	#	Bulb (instrument panel lighting)
04460	C4SZ 6304460-A	Plate (instrument panel name)	13586	C4SZ 13586-A	Jewel (high beam indicator)
04518	C4SZ 6304518-A	Moulding (instrument panel cover retaining end)-R. H.	13621	#	Socket & wire (instr. panel lamp)
04519	C4SZ 6304519-A	Moulding (instrument panel cover retaining end)-L. H.	13B705	#	Bezel (map lamp lens)
04522	C4SZ 6304522-A	Moulding (instrument panel pad retaining)-upper	13761	#	Lens (map lamp)
045C32	C4SZ 63045C32-B	Cover (instrument panel finish panel moulding joint)	13764	#	Switch (map lamp)
04561	C4SZ 6304561-A	Clip (instrument panel cover retaining upper moulding)	13772	#	Knob (map lamp control)
04632	#	Filler (instrument panel lower finish panel)	13A779	C4SZ 13A779-B	Lens (air control indicator lamp)
04652	#	Moulding (instr. panel lower ctr.)	14028	C4SZ 14028-B	Control (door lock-vacuum)
10A758	C4SZ 10A758-B	Insulator (instrument cluster ammeter)-1964/65	14522	C4SZ 14522-A	Socket & wiring (fuel level, emergency warning, open door warning)
10804	B9MZ 10804-C	Regulator (instr. cluster voltage)	15000	C4SZ 15000-A	Electric clock
10838	C4SZ 10838-A	Housing (instrument cluster)	15026	#	Wire & socket (electric clock)
10A838	C4SZ 10A838-A	Bezel (low fuel level warning lamp)	17B251	C4SZ 17B251-A	Lens (odometer)
10A845	C4SZ 10A845-A	Bezel (door opening warning lamp)	17B252	C4SZ 17B252-A	Retainer (odometer lens)
10848	C4SZ 10848-A	Plate (instrument cluster back)	17255	C4SZ 17255-A	Speedometer assy.
10850	C4SZ 10850-A	Ammeter-1964/65	17A258	#	Dial assy. (speedometer front)
10853	C4SZ 10853-A	Bezel (light switch)	17259	C4SZ 17259-A	Lens (speedometer dial opening)
			17A279	C4SZ 17A279-A	Retainer (speedometer dial lens)
			17289	C4SZ 17289-A	Case assy. (speedometer)
			17303	★C4SF 17303-A	Gasket (speedometer case)
			17304	★C4SF 17304-A	Grommet (speedometer case)
			17A334	C4SZ 17A334-A	Dial & mask assy's (speedometer)
			17C448	★C4SB 17C448-B	Gasket (wiper control)
			17470	#	Control assy. (w/s wiper)
			17B471	#	Lens (wiper control ind. lamp)
			17513	#	Knob assy.
			17A625	C4SZ 17A625-A	Switch (washer control)
			17A639	C4SZ 17A639-A	Spring (washer control arm return)
			18808	#	Speaker (radio-dash panel mtd.)
			18863	C5SZ 18863-A	Switch (electric antenna)
			18911	C5SZ 18911-B	Knob (electric antenna control)
			18A952	C3MY 18A952-A	Resistor (radio suppression choke)
			218A82	C4SZ 63218A82-A	Bezel (door lock control switch)
			22158	C4SZ 6322158-A	Nut (door lock control mounting)

Δ Refer to Soft Trim Section

★ Refer to Basic Group for Complete Part Number

1964/ FALCON INSTRUMENT PANEL & RELATED PARTS

Group	Part Number	Part Name	Group	Part Number	Part Name
3C571	C4AZ 3C571-A	Guide (instr. panel moveable steering column opening)	10848	C4DZ 10848-A	Plate (instr. cluster back)
3A673	C4AZ 3A673-A	Cover assy. (moveable steering column opening)	10A848	B9FM 10A848-A	Spring (parking brake warning lamp)
3685	B9A 3685-A	Key (ignition & side door)-1964	10852	C4DZ 10852-B	Bezel (instr. cluster control)- "Lights"
9305	C5DZ 9305-A	Gauge (fuel)		C4DZ 10852-A	"Wiper"
9700	C4DZ 9700-A	Control (carburetor choke)-1964		C4DZ 10852-D	"Up-on"
9A700	C4DZ 9A700-B	Bracket (choke control mtg.)-1964	10883	C5DZ 10883-A	Gauge (instr. cluster temp.)
9B739	C4DZ 9B739-A	Knob (carb. choke control)-1964	10A885	C4DZ 10A885-A	Plate (instr. cluster control mtg.)
01891	#	Control assy. (air)-L, H.	10887	C4DZ 10887-A	Dial (instr. cluster main)-1964
▲04290		Pad (instrument panel safety)	10890	C4DZ 10890-A	Mask assy. (instrument cluster)
04296	C4DZ 6204296-A	Moulding (instrument panel upper cover retaining)	11572	C3AZ 11572-A	Switch assy. (ignition)
04320	#	Panel assy. (instrument)	11581	1A 11581-B	Spring (ignition switch retaining)
■04371	#	Plate (instrument panel radio dial hole)	11582	C3AZ 11582-A	Cvl. & kevs(ign. switch lock)-1964
04392	#	Panel (instrument panel finish end)-R, H.	11584	C3AZ 11584-A	Bezel (ignition switch)
04454	C4DZ 6204454-A	Grille (instrument panel radio)	11650	C4DZ 11650-A	Nut (head lamp switch)-1964
	376892-S(CC35)	Bumper	11654	C4DZ 11654-A	Switch (head lamp)-1964
04470	*	Cover (instrument panel defroster opening)	11661	#	Knob & shaft (head lamp switch)
●04496	C4DZ 6204496-A	Cover (instrument panel heater control opening)	11A668	C4DZ 11A668-A	Bracket (instrument panel head lamp switch)-1964
044B96	#	Clip (instrument panel pad retaining)-upper	13350	C5AZ 13350-B	Flasher (turn indicator)
04516	C4DZ 6204516-B	Bracket (instrument panel ventilator air control mounting)	13351	B5A 13351-A	Bracket (turn indicator flasher)
04518	#	Moulding (instrument panel) cover retaining end)-R, H.	13466	#	Bulb (instrument lighting)
04519	#	L, H.	13621	C4AZ 13621-A	Socket & wire (instrument panel)
●045C48	*	Retainer (instrument panel heater control opening cover)	14429	FEW 14429-A	Fuse (cigar lighter)
04561	C4DZ 6404561-A	Clip (instrument panel cover retaining upper moulding)	14526	#	Circuit breaker
04774	#	Panel (instrument panel at cluster finish)-units with radio	15A000	★C3OZ 15A000-A	Electric clock kit - Repl. by C7DZ 15A000-A
*04774	#	Panel (instrument panel at cluster finish)-units w/o radio	15052	#	Knob & element (cigar lighter)
04810	C4DZ 6204810-A	Receptacle assy. (instr. panel ash)	15055	#	Socket & retainer (cigar lighter)
	380369-S(CC44)	Bumper	15067	C4DZ 15067-A	Cover (instrument panel cigar lighter opening)
04826	C4DZ 6204826-A	Retainer assy. (instrument panel ash receptacle)	15668	#	Switch (top control or tailgate window)
060A08	C4DZ 62060A08-A	Cable assy. (glove compartment door check)	15674	C4DZ 15674-A	Knob (top control or tailgate window)
06010	C4DZ 6206010-A	Compartment assy. (glove)	17255	#	Speedometer
06024	#	Door assy. (glove compartment)	17B261	C4DZ 17B261-A	Plate (tachometer mounting)-1964
	380369-S(CC44)	Bumper	17303	C2SZ 17303-A	Gasket (speedometer case)
06036	#	Panel (glove compt. door finish)	17304	FDR 17304-A	Grommet (speedometer case)
06050	#	Hinge assy. (glove compt. door)	17305	FDR 17305-A	Retainer (speedometer case grommet)
06064	C4DZ 6206064-C	Catch (glove compartment door lock striker plate)	17A317	★C3AF 17A317-A	Spacer (speedometer dial)
06081	C4DZ 6206081-A	Lock assy. (glove compartment door)-with keys	17360	C4DZ 17360-A	Tachometer assy. (1964)
06150	C4DZ 6206150-A	Plate (glove compartment door lock catch anchor)	17368	C3RZ 17368-A	Bracket (tachometer mounting) (1964)
10804	B9MZ 10804-C	Regulator (instr. cluster voltage)	17C443	C4DZ 17C443-A	Bracket (w/s wiper control)
10838	#	Housing (instrument cluster)	17512	C4DZ 17512-A	Nut (w/s wiper control)
10A840	C3AZ 10A840-A	Bezel (parking brake warning lamp)	17513	#	Knob
10A841	C4DZ 10A841-A	Lamp & wiring assy. (parking brake warning)	17A553	#	Switch (w/s wiper)
			18513	C4DZ 18513-A	Knob (heater blower switch)
			18519	#	Knob (heater control)
			18531	C4DZ 18531-A	Bracket (heater control mounting)
			18578	C4DZ 18578-A	Switch (heater blower)
			18580	C4DZ 18580-A	Clamp (heater control mounting)
			18A651	C4DZ 18A651-A	Panel & retainer (heater control)
			18805	*	Radio kit (1964)
			18808	C5AZ 18808-B	Speaker (radio receiver dash mtd.)
			18817	# 18817	Knob (radio receiver)

‡ Refer to Basic Group for proper Prefix and Suffix

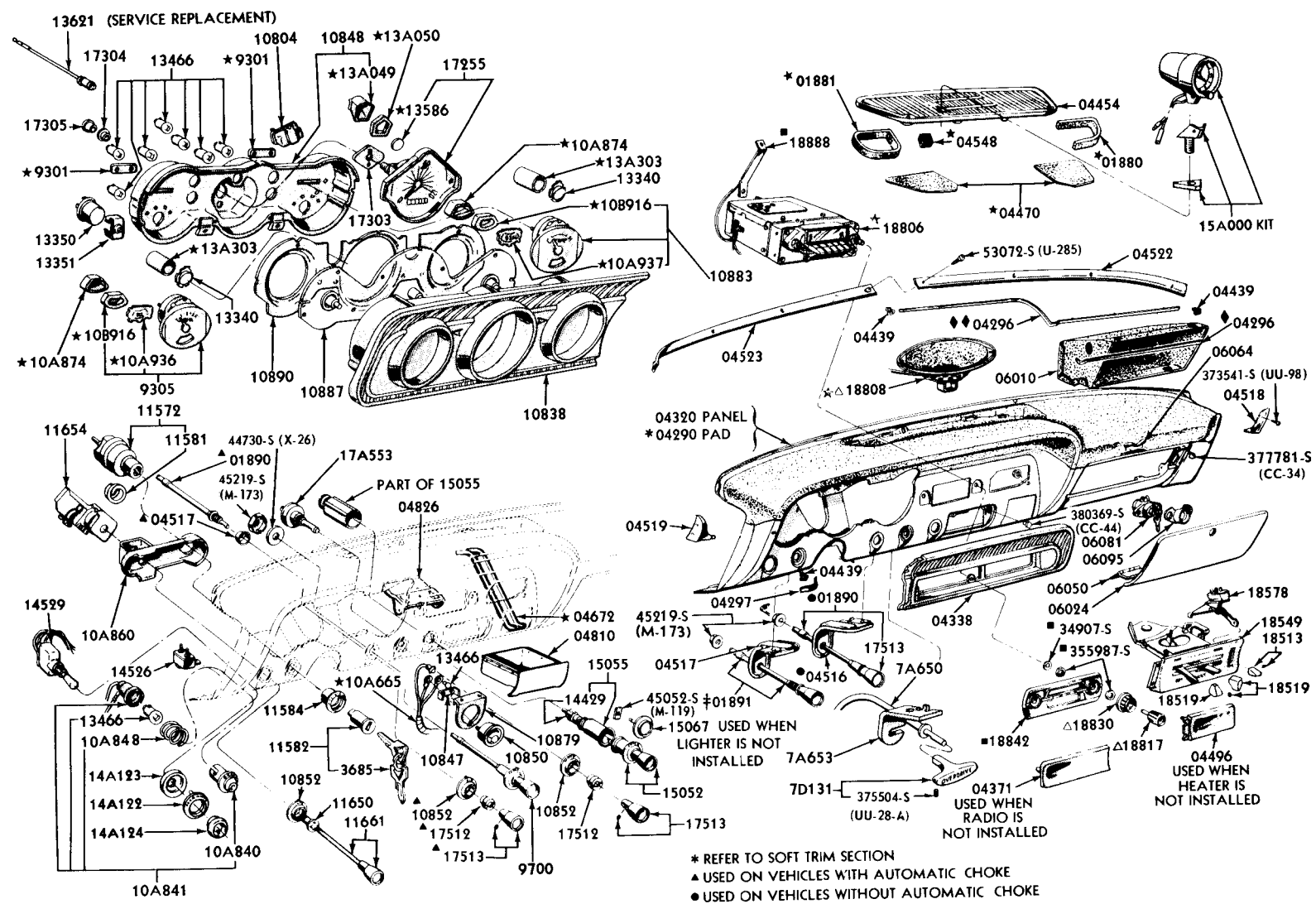
■ Radio Opening Cover (except Futura)

* Radio Opening Cover (Futura)

▲ Refer to Soft Trim Section

● Heater Control Opening Cover

1964 FAIRLAINE INSTRUMENT PANEL & RELATED PARTS



- * REFER TO SOFT TRIM SECTION
- ▲ USED ON VEHICLES WITH AUTOMATIC CHOKE
- USED ON VEHICLES WITHOUT AUTOMATIC CHOKE
- ◆ USED WITH PANEL 04338
- ◆◆ USED WITHOUT PANEL 04338
- △ ALSO SUPPLIED IN 18805 RADIO KIT
- ‡ CUT AS REQUIRED

1964 FAIRLANE INSTRUMENT PANEL & RELATED PARTS

Group	Part Number	Part Name	Group	Part Number	Part Name
3685	B9A 3685-A	Key (ignition & door lock)	10A848	B9FM 10A848-A	Spring (parking brake warning lamp)
7D131	C2OZ 7D131-A	Handle (trans, overdrive cable)	10850	B9A 10850-A	Ammeter
7A650	C2OZ 7A650-A	Cable assy. (trans, overdrive)	10852	C2OZ 10852-A	Bezel (instr. cluster control)-air
7A653	C2OZ 7A653-B	Bracket (trans, overdrive control)	10852	C4OZ 10852-B	Bezel (instrument panel control) - lights & wipers
9305	C4OZ 9305-A	Gauge (fuel)-less back plate	10A860	C3OZ 10A860-A	Plate (instr. cluster control mtg.)
9700	C3OZ 9700-A	Control (carb, choke)	10879	★FDM 10879-AP	Bracket assy. (ammeter) - Repl. by B6AZ 10847-A
01880	★	Sill (w/s defroster opening)-R, H.	10883	C4OZ 10883-A	Gauge assy. (temperature)
01881	★	Sill (w/s defroster opening)-L, H.	10887	C4OZ 10887-A	Dial (instrument cluster main)
▲01890	#	Control assy. -R, H.	10890	C4OZ 10890-A	Mask assy. (instrument cluster)
●01890	#	Control assy. -R, H.	11572	C3AZ 11572-A	Switch assy. (ignition)
‡01891	#	Control assy. -L, H.	11581	1A 11581-B	Spring (ignition switch retaining)
*04290		Pad (instrument panel safety)	11582	C3AZ 11582-A	Cylinder & keys(ign, switch lock)
◆04296	C4OZ 6204296-B	Moulding assy. (instrument panel pad retaining)-R, H.	11584	C3AZ 11584-A	Bezel (ignition switch)
◆◆04296	C4OZ 6204296-A	Moulding assy. (instrument panel pad retaining)-R, H.	11650	C4OZ 11650-A	Nut assy. (ignition switch)
04297	#	Moulding assy. (instrument panel pad retaining)-L, H.	11654	C2OB 11654-A	Switch assy. (light control)
04320	C4OZ 6204320-#	Panel assy. (instrument)	11661	C3OZ 11661-A	Knob & shaft assy. (light control switch)
04338	C4OZ 6204338-A	Panel (instrument panel finish)	13A050	C4OZ 13A050-A	Gasket (headlamp high beam indicator)
04371	#	Plate (instrument panel radio dial hole)	13340	C4OZ 13340-A	Lens (instrument panel turn indicator lamp)
04439	C2OZ 6204439-A	Retainer (instr. panel moulding)	13350	★C3AZ 13350-A	Flasher assy. (turn indicator)- Repl. by C5AZ 13350-B
04454	C2OB 6204454-AP	Grille (instrument panel radio)	13351	B5A 13351-A	Bracket (turn indicator flasher mounting)
04470	★	Cover (instrument panel defroster opening)	13466	#	Bulb (instrument panel lighting)
04496	C4OZ 6204496-B	Cover (instrument panel heater control opening)	13621	C4AZ 13621-A	Socket & wire (instrument panel)
●04516	C3OZ 6204516-A	Bracket (instrument panel ventilator air control opening)-R, H.	13751	C3OZ 13751-A	Lamp assy. (door open warning)
04517	C3OZ 6204517-A	Bracket (instrument panel ventilator air control opening)-L, H.	14A122	C0DF 14A122-B	Bezel (rear window control switch)
04518	C2OZ 6204518-A	Moulding (instrument panel cover retaining end)-R, H.	14A123	C3OZ 14A123-A	Spacer (rear window control switch)
04519	C2OZ 6204519-A	L, H.	14A124	C1AZ 14A124-A	Nut (rear window control switch)
04522	C4OZ 6204522-A	Moulding (instrument panel pad retaining upper)-R, H.	14429	FEW 14429-A	Fuse assy. (cigar lighter)
04523	C4OZ 6204523-A	L, H.	14526	#	Circuit breaker assv. (electric windshield wiper)
04548	★	Support (instr. panel radiogrille)	14529	C3OZ 14529-A	Switch (rear window regulator control)
04672	★C2OZ 6204672-A	Brace (instrument panel lower flange to cowl inner panel)	15A000	★C3OZ 15A000-A	Clock kit (electric) - Repl. by C7DZ 15A000-A
04810	C4OZ 6204810-A	Receptacle assy. (instrument panel ash)	15052	C3OZ 15052-A	Knob & element assy. (cigar lighter)
04826	#	Bumper	15055	C2AB 15055-A	Socket & retainer assy. (cigar lighter)
06010	C2OZ 6206010-A	Retainer assy. (instrument panel ash receptacle)	15067	C2OB 15067-A	Cover (instrument panel cigar lighter opening)
06024	C3OZ 6206024-A	Compartment assy. (glove)	17255	#	Speedometer assy.
06050	C3OZ 6206050-A	Door assy. (glove compartment)	17260	#	Speedometer cable assy.
06064	C2OZ 6206064-A	Bumper	17303	C2SZ 17303-A	Gasket (speedometer case)
06081	C2OZ 6206081-A	Hinge assy. (glove compartment door)	17304	FDR 17304-A	Grommet (speedometer case)
06095	C0AB 6406095-A	Catch (glove compartment door lock striker plate)	17305	FDR 17305-A	Retainer (speedometer case grommet)
10804	B9MZ 10804-C	Lock assy. (glove compartment door) -with 2 keys	17512	C3OZ 17512-A	Nut (windshield wiper control)
10838	C4OZ 10838-A	Escutcheon (glove compartment door lock)	17513	C0AF 17513-A	Knob assy. (windshield wiper or air control)
10A840	B9FM 10A840-A	Regulator (instr. cluster voltage)	17A553	#	Switch (windshield wiper)
10A841	C4OZ 10A841-A	Housing (instrument cluster)	18513	C4OZ 18513-A	Knob assy. (heater blower switch)
10847	C2AZ 10847-A	B(54B, 62B, 65, 71B)	18519	C4OZ 18519-A	Knob (heater control)
10848	C4OZ 10848-A	B(54A, 62A, 71D)	18578	C2OZ 18578-A	Switch assy. (heater)
18805	C4OZ 18805-AA	Bezel (parking brake warning lamp)	18805	C4OZ 18805-AA	Radio kit (push button)
18808	C5AZ 18808-B	Lamp & wiring assy. (parking brake warning)	18808	C5AZ 18808-B	Speaker (radio receiver-dash mounted)
18817	C3OZ 18817-A	Bracket assy. (ammeter mtg.)			Knob (radio receiver)
		Plate (instrument cluster back)			

▲ Used on vehicles w/ automatic choke

● Used on vehicles w/o automatic choke

‡ Cut as required

◆ Used with panel 04338

◆◆ Used without panel 04338

* Refer to Soft Trim Section

◆◆ Refer to Basic Group for Complete Part Number

INDEX

BELOW IS A LIST OF THE MAJOR GROUPS AND THE ORDER IN WHICH THEY ARE LISTED IN THIS INDEX.

WHEELS AND RELATED PARTS
SPARE WHEEL CARRIERS
BRAKE MASTER CYLINDERS

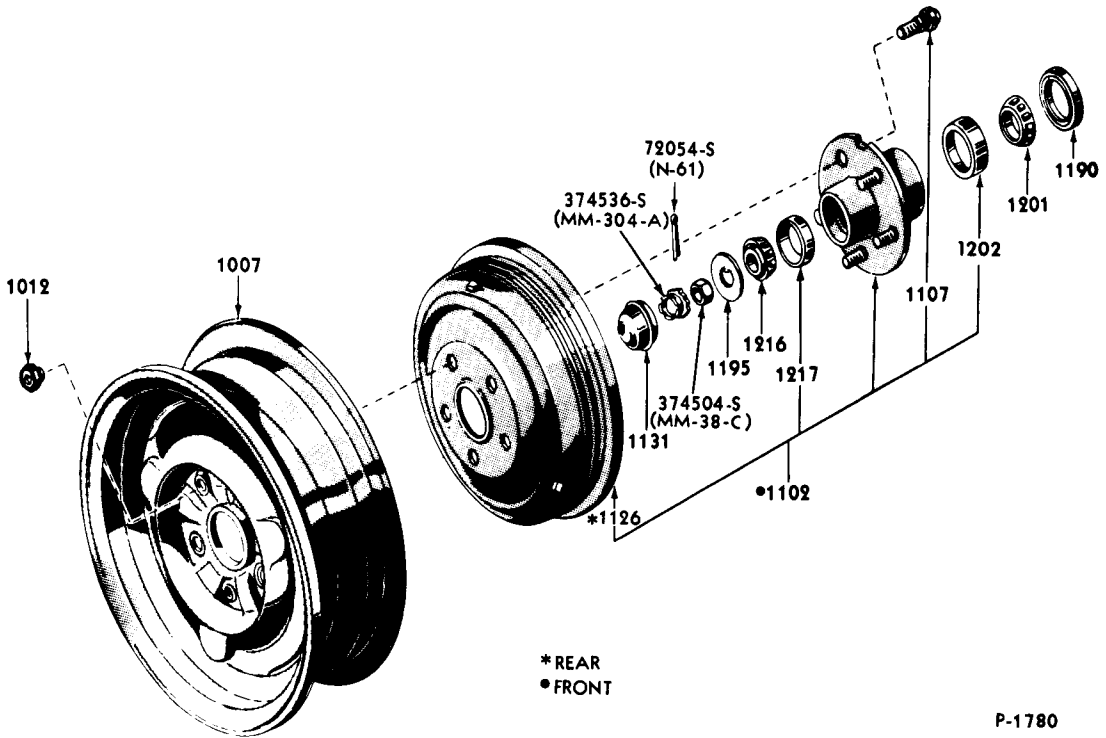
BRAKE WHEEL CYLINDERS
BRAKE SYSTEMS
FRONT AND REAR BRAKES

POWER BRAKE BOOSTERS
POWER BRAKE BOOSTER INSTALLATION
BRAKE AND CLUTCH PEDALS

YEAR	TITLE	ILLUS. NO.	SECTION	PAGE
WHEELS and RELATED PARTS				
1960	Front and Rear Wheel, Hub, Bearing, etc. (Ford, Fairlane & Thunderbird)-Typical	P-1780	10	30
1960/	Front and Rear Wheel, Hub, Bearings, etc. (Falcon)-Typical	P-3118	10	30
1960	Hub Cap and Wheel Cover -Typical	P-2988	10	31
1961/	Hub Cap and Wheel Cover (All Models) - Refer to Text Group 1130			
SPARE WHEEL CARRIERS				
1960	Spare Wheel Carrier (Ford) - Exterior	P-3178	10	32
1961	Spare Wheel Carrier (Ford)-Exterior	P-3671	10	33
1961/64	Spare Wheel and Jack Stowage (Ford)	P-3706	10	34
1962/	Spare Wheel and Jack Stowage (Fairlane-except Station Wagon)	P-3705	10	34
1963/	Spare Wheel and Jack Stowage (Fairlane Station Wagon)	P-4824	10	35
1960	Spare Wheel Carrier (Thunderbird)-Exterior	P-2900	10	36
1961/63	Spare Wheel and Jack Stowage (Thunderbird)	P-4598	10	37
1964/	Spare Wheel and Jack Stowage (Thunderbird)	P-4597	10	37
1960/	Spare Wheel and Jack Stowage (Falcon)	P-3916	10	38
BRAKE MASTER CYLINDERS				
1960/	Brake Master Cylinder (except 1960 Thunderbird) -Typical	P-3098	20	39
1960	Brake Master Cylinder (Thunderbird)	P-1786	20	39
BRAKE WHEEL CYLINDERS				
1960/	Brake Cylinder (Front)-(Ford)	P-2283	20	40
1960/	Brake Cylinder (Rear)-(Ford)	P-2284	20	40
1960/	Brake Cylinders (Front and Rear) (Thunderbird & Fairlane)	P-3906	20	40
1960/	Brake Cylinders (Front and Rear) (Falcon)	P-2990	20	41
BRAKE SYSTEMS				
1960/64	Brake System (Ford)	P-3099	20	42
1962/	Brake System (Fairlane)	P-3678	20	43
1960	Brake System (Thunderbird)	P-3104	20	44
1961/63	Brake System (Thunderbird)	P-3245	20	45
1964/	Brake System (Thunderbird)	P-4240	20	46
1960/	Brake System (Falcon)	P-3119	20	47
FRONT and REAR BRAKES				
1960	Front and Rear Brakes (except Falcon)-Typical	P-2164	20	48
1961/	Front & Rear Brakes (Self Adjusting) (Ford & Thunderbird)-Typical	P-3380	20	49
1962/	Front & Rear Brakes (Fairlane)	P-3703	20	50
1960/62	Front & Rear Brakes (Falcon)	P-2989	20	51
1963/	Front & Rear Brakes (Falcon)	P-3703	20	50

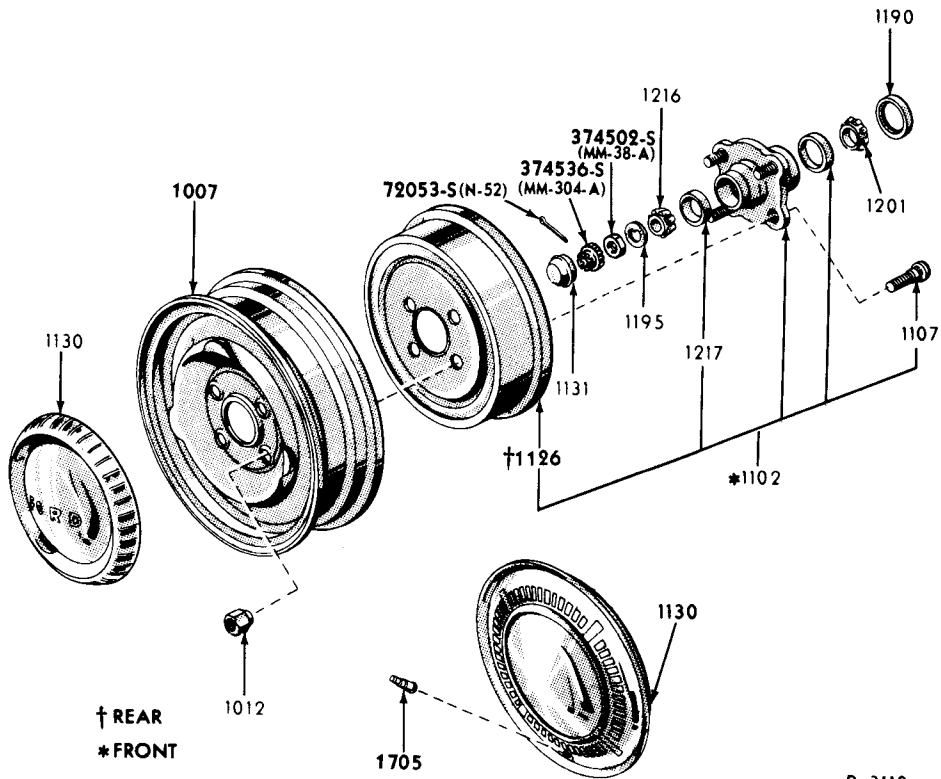
INDEX

YEAR	TITLE	ILLUS. NO.	SECTION	PAGE
POWER BRAKE BOOSTERS				
1960	Power Brake Booster (Ford-6 Cylinder)	P-2210	23	52
1960/61	Power Brake Booster -Ford & Thunderbird (Diaphragm Type) (Bendix)	P-3170	23	53
1961/63	Power Brake Booster (Ford & Thunderbird) (Midland Ross)	P-3588	23	54
1962/63	Power Brake Booster (Ford with S/T & Fairlane)(Midland Ross)	P-3768	23	55
1964/	Power Brake Booster (Falcon) (Bendix)	P-4590	23	56
1964	Power Brake Booster (Ford, Fairlane & Thunderbird) (Midland-Ross)	P-4894	23	56
POWER BRAKE BOOSTER INSTALLATION				
1960	Power Brake Booster Installation (Ford - 6 Cylinder)	P-2976	23	57
1960	Power Brake Booster Installation (Ford 8 Cylinder)	P-3134	23	58
1961/64	Power Brake Booster Installation (Ford)(Midland Ross)	P-3604	23	59
1962/	Power Brake Booster Installation (Fairlane)	P-3678	20	43
1961	Power Brake Booster Installation (Thunderbird) (Bendix)	P-3248	23	60
1961/63	Power Brake Booster Installation (Thunderbird)(Midland-Ross)	P-3603	23	61
1964/	Power Brake Booster Installation (Thunderbird)	P-4240	20	46
BRAKE and CLUTCH PEDALS				
1960	Brake Pedal and Related Parts (Fordomatic)(Ford)	P-2973	24	62
1960	Brake & Clutch Pedals & Related Parts (manual gear shift) (Ford)	P-2972	24	62
1963/64	Brake & Clutch Pedals & Related Parts (Ford)	P-4174	24	63
1962/	Brake & Clutch Pedals & Related Parts (Standard & Automatic Transmissions) (Fairlane)	P-3674	24	64
1960	Brake & Clutch Pedals & Related Parts (All Transmissions) (Thunderbird)	P-3079	24	64
1960/	Brake & Clutch Pedals and Related Parts (manual gear shift) (Falcon)	P-3130	24	65
1960/	Brake Pedal and Related Parts (Fordomatic) (Falcon)	P-3131	24	65



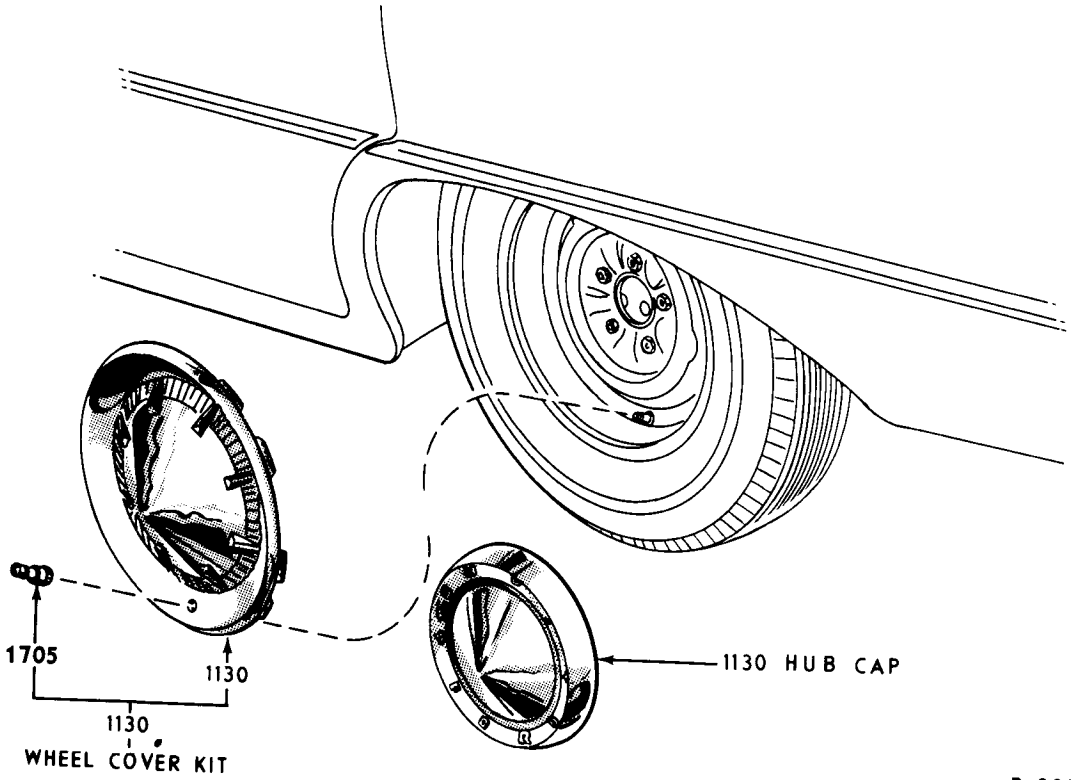
P-1780

1960/ FRONT and REAR WHEEL, HUB, BEARING, ETC. (FORD, FAIRLANE & THUNDERBIRD) - TYPICAL



P-3118

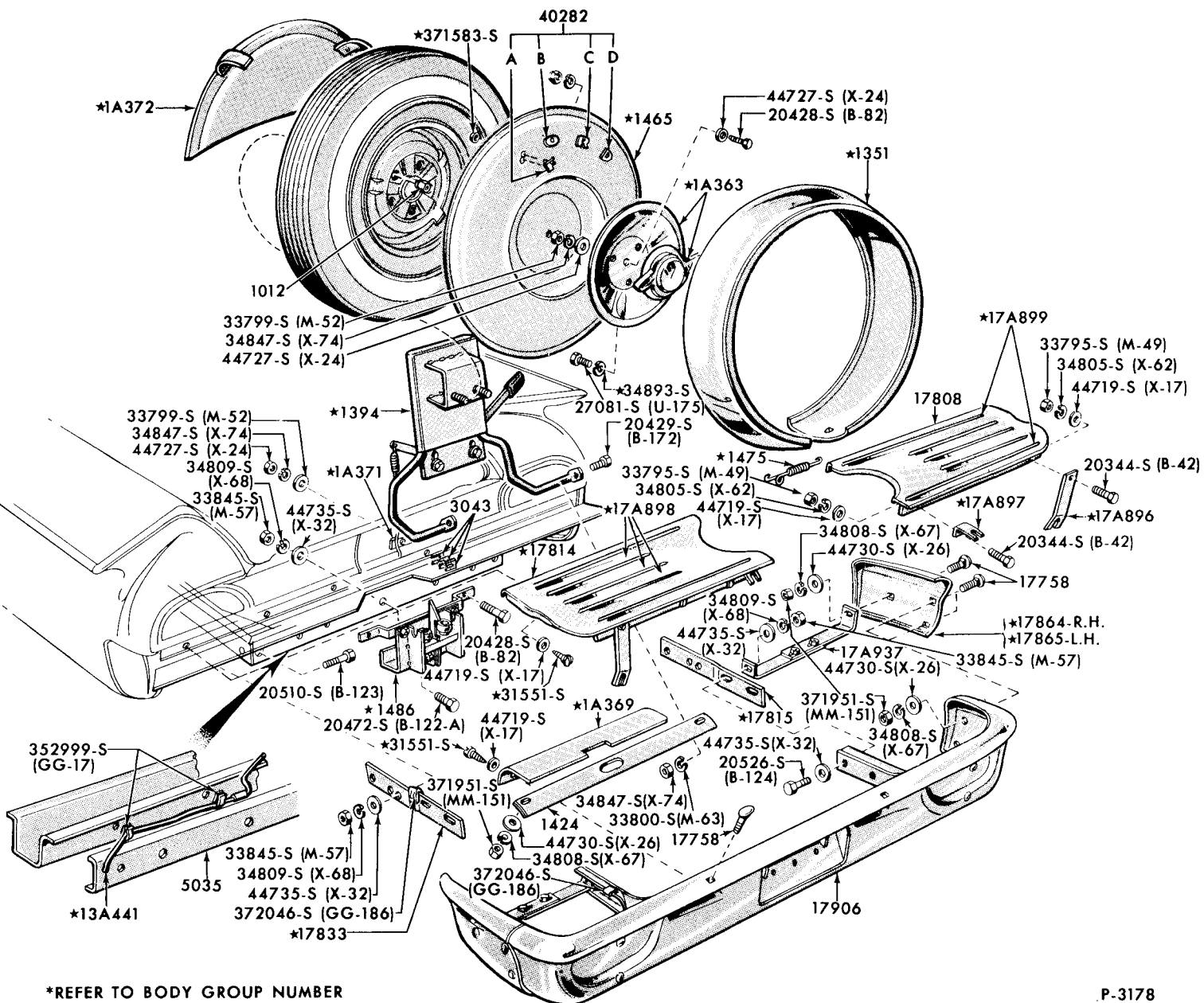
1960/ FRONT and REAR WHEEL, HUB, BEARINGS, ETC. (FALCON) - TYPICAL



P-2988

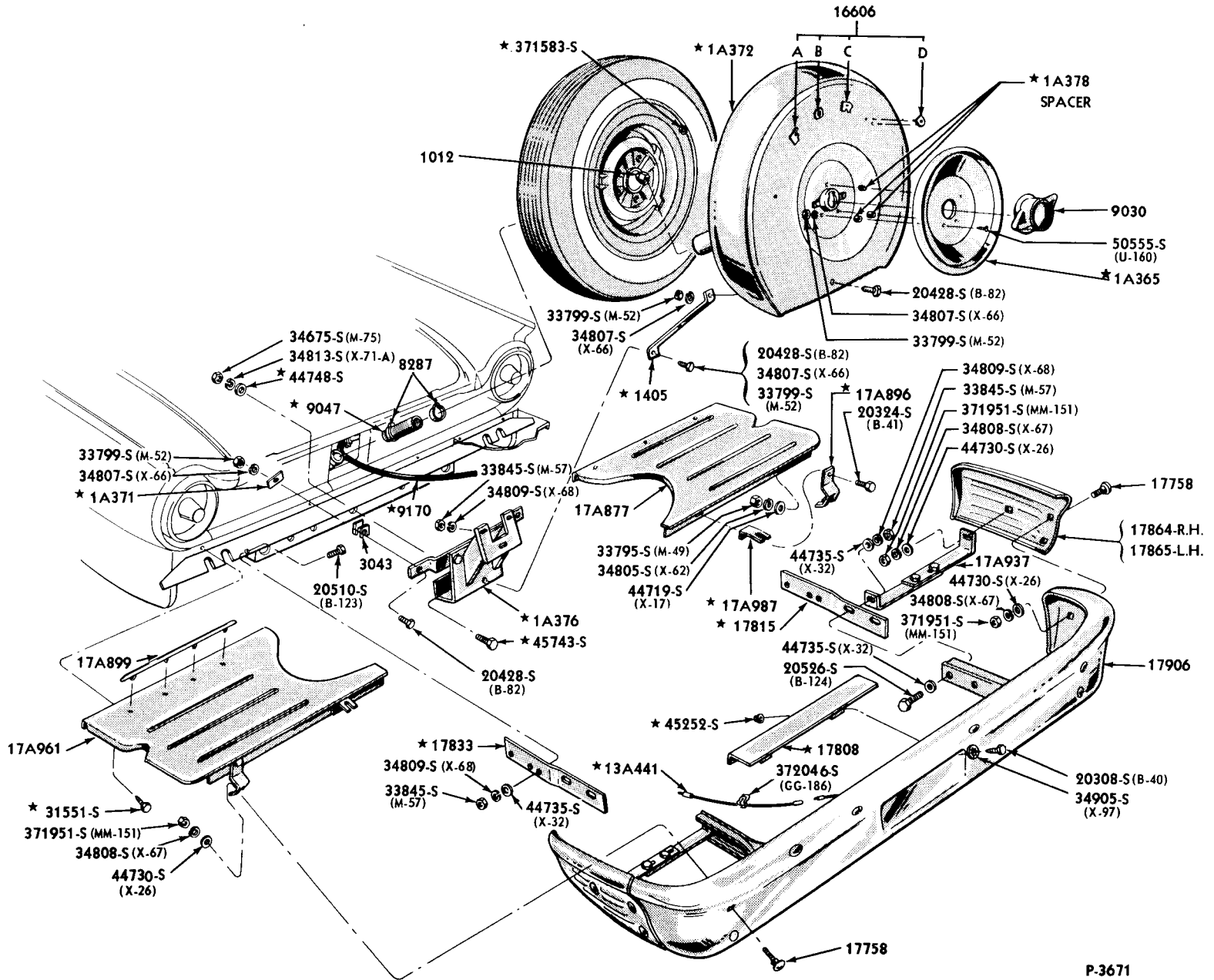
1960 HUB CAP & WHEEL COVER - TYPICAL

1960 SPARE WHEEL CARRIER (FORD) - EXTERIOR



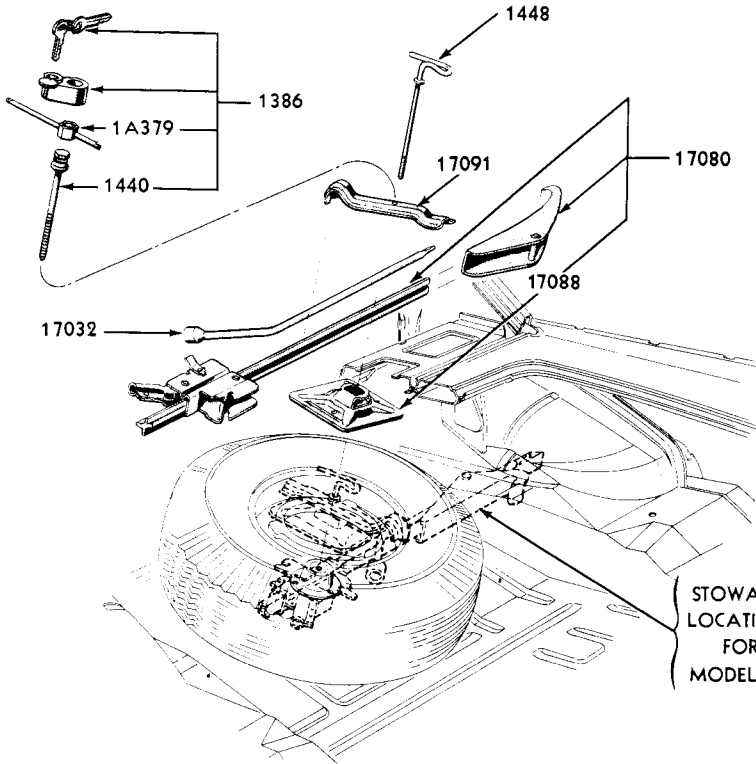
*REFER TO BODY GROUP NUMBER

P-3178

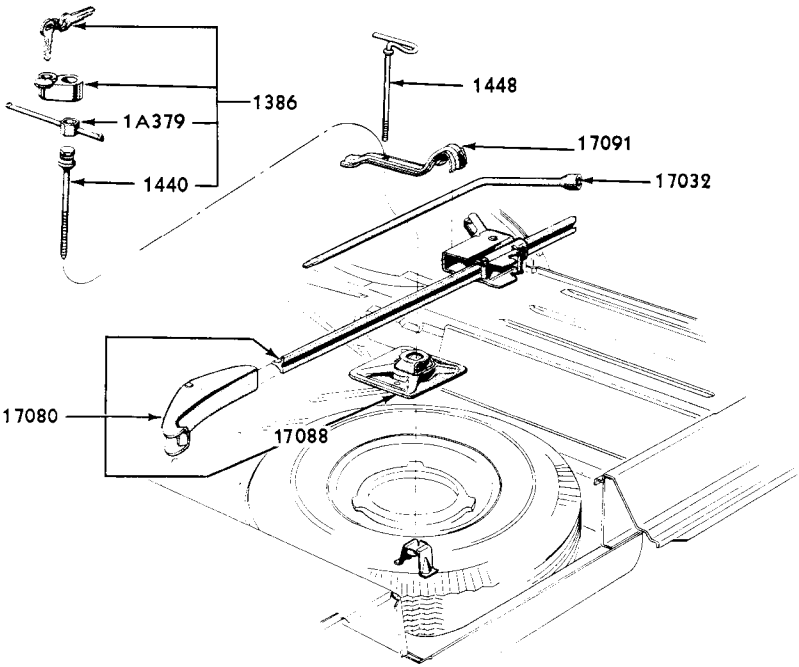


**ILLUSTRATION
SECTION 10**

FORD CAR PARTS

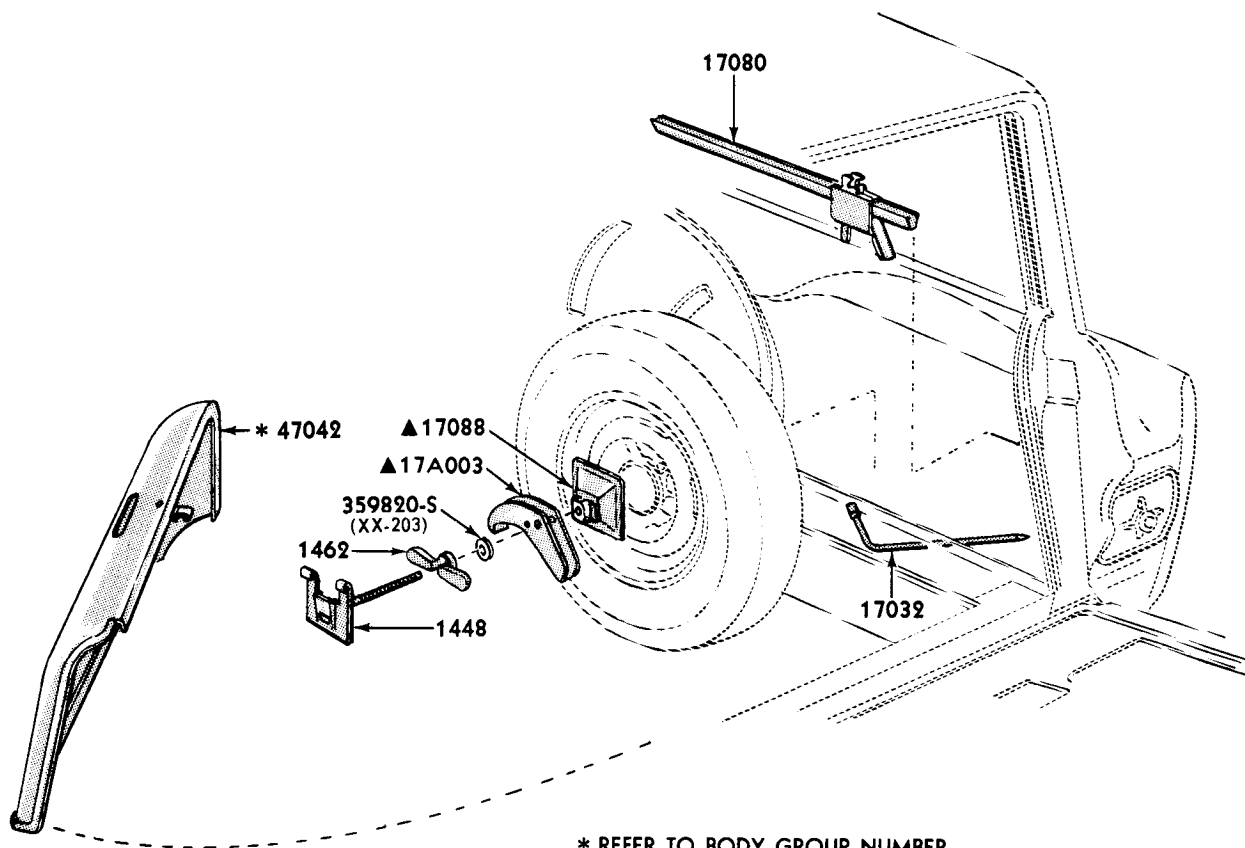


PASSENGER CAR



STATION WAGON

P-3706

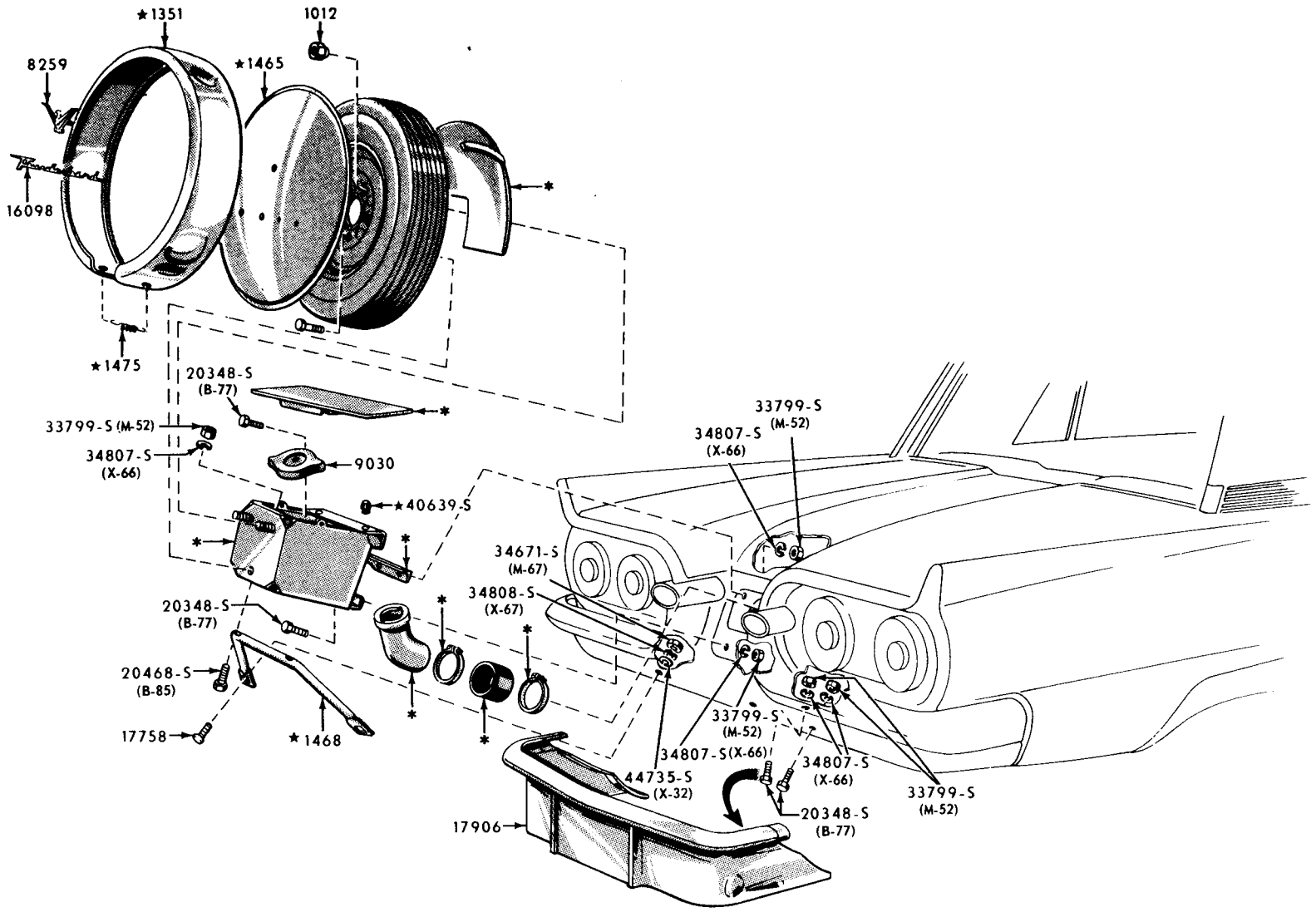


* REFER TO BODY GROUP NUMBER

▲ ALSO SUPPLIED IN 17080 JACK ASSEMBLY

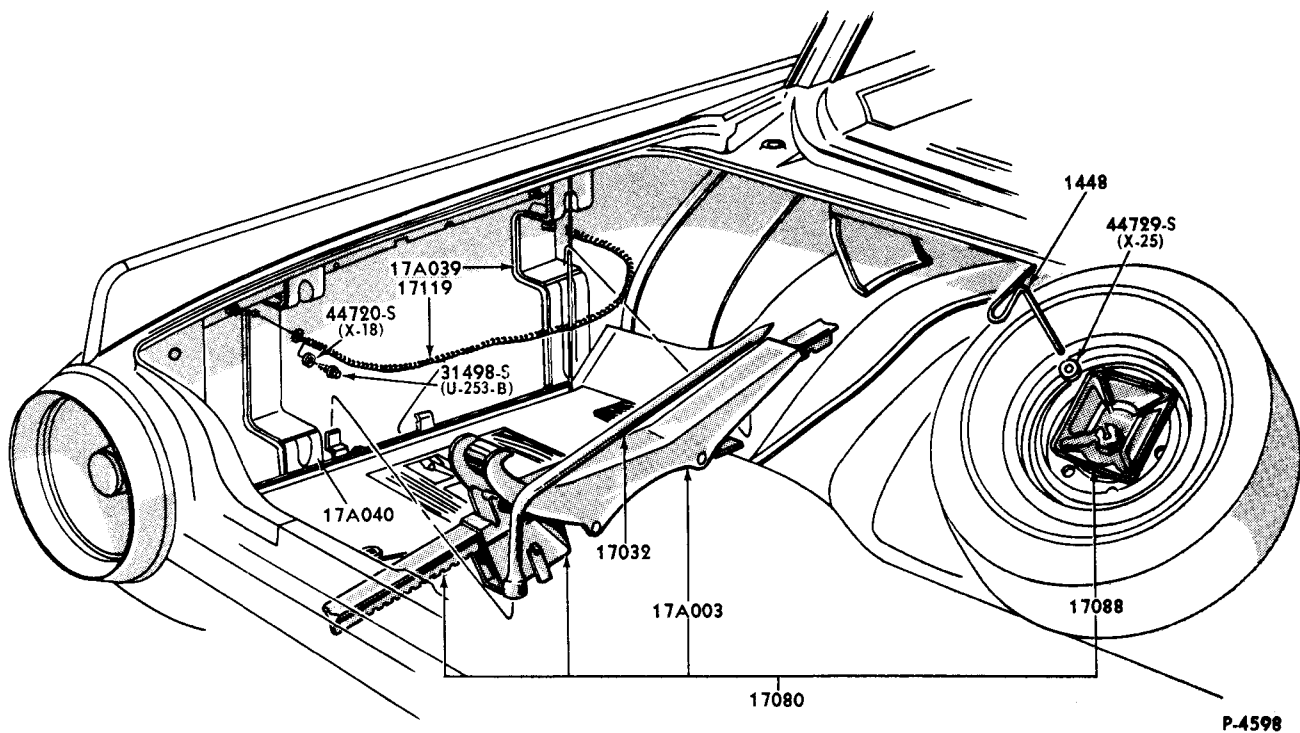
P-4824

1963/ SPARE WHEEL & JACK STOWAGE (FAIRLANE STATION WAGON)

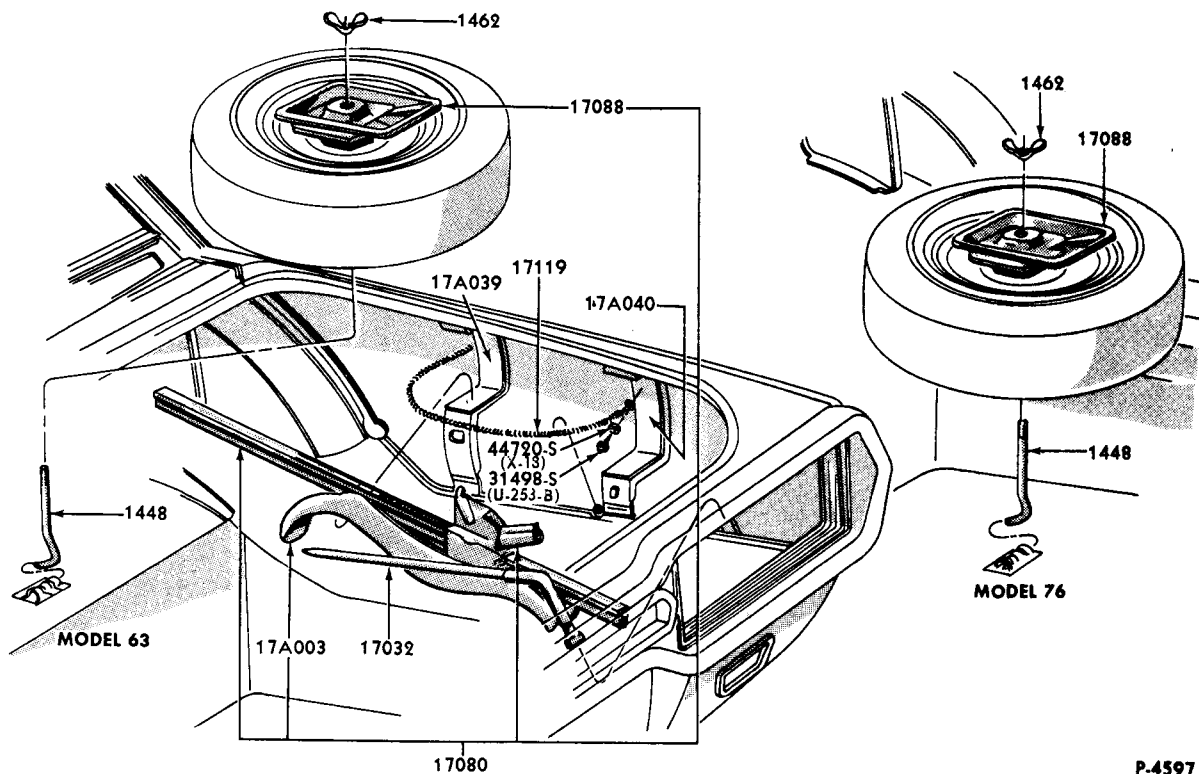


1960 SPARE WHEEL CARRIER (THUNDERBIRD) - EXTERIOR

*SUPPLIED ONLY IN 1400 SPARE WHEEL CARRIER KIT



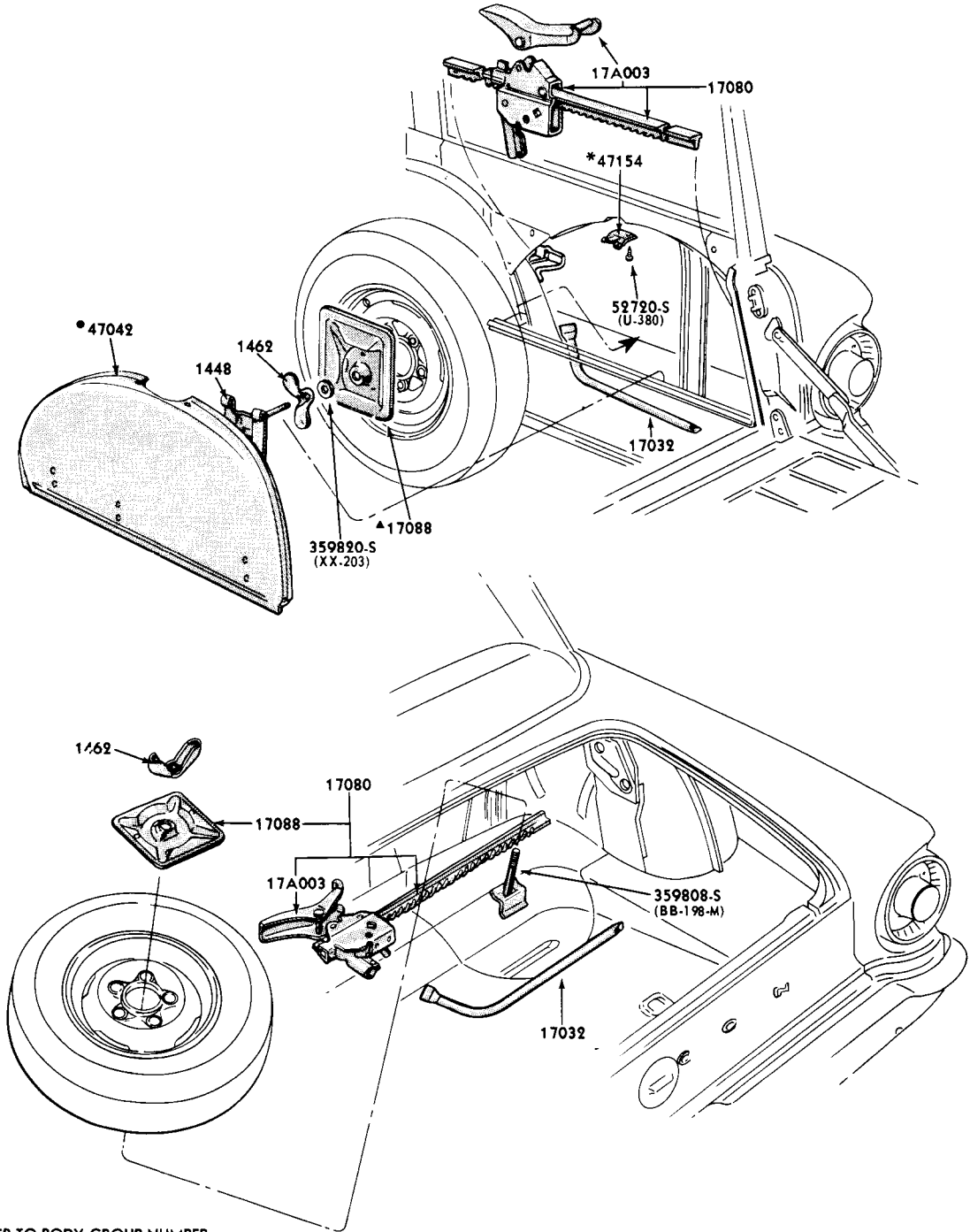
1961/63 SPARE WHEEL and JACK STOWAGE (THUNDERBIRD)



1964/ SPARE WHEEL and JACK STOWAGE (THUNDERBIRD)

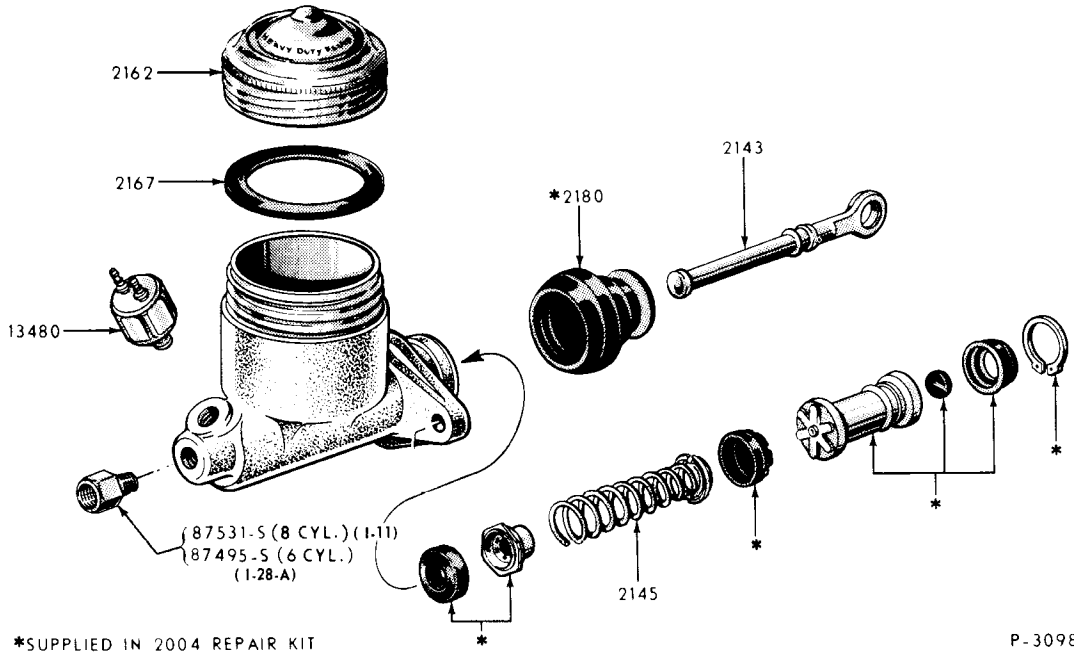
**ILLUSTRATION
SECTION 10**

FORD CAR PARTS

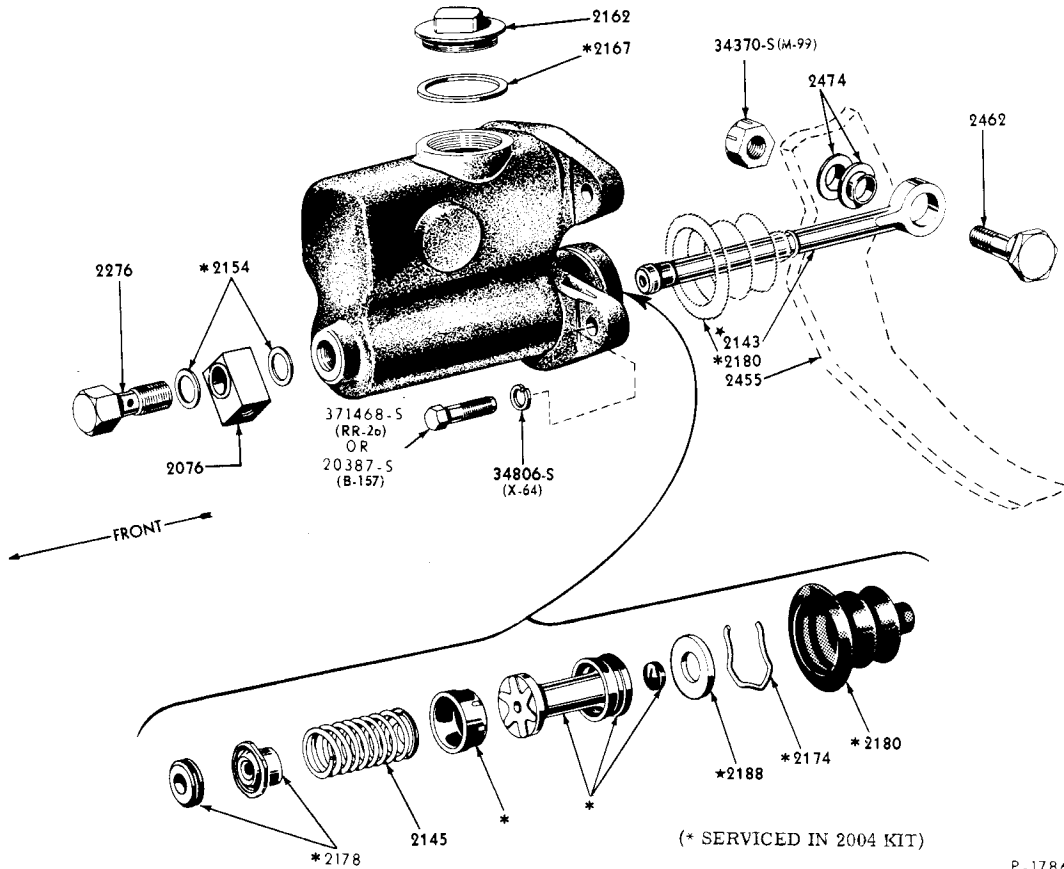


P-3916

- * REFER TO BODY GROUP NUMBER
- ▲ ALSO SUPPLIED IN 17080 ASS'Y.
- REFER TO GROUP IN SOFT TRIM SECTION



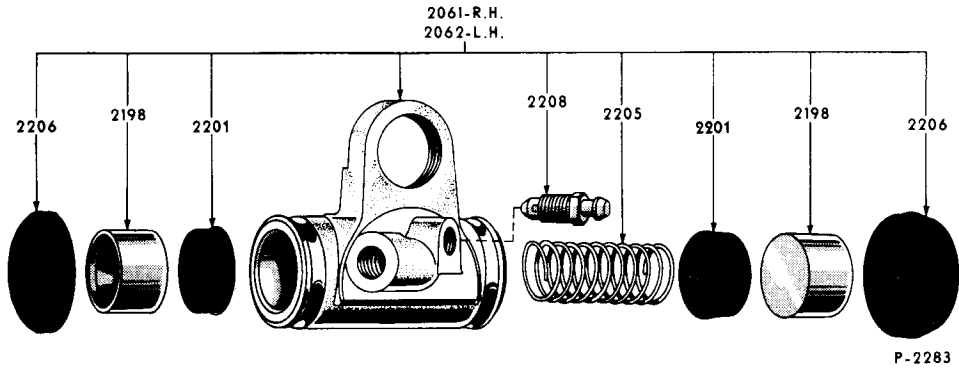
1960/ BRAKE MASTER CYLINDER (EXCEPT 1960 THUNDERBIRD)- TYPICAL



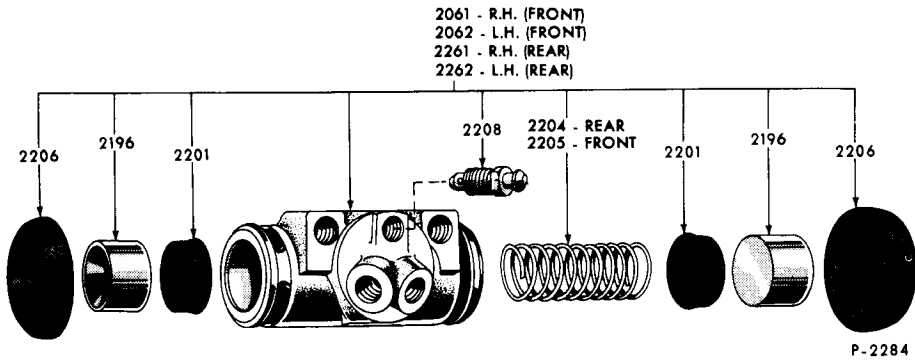
1960 BRAKE MASTER CYLINDER (THUNDERBIRD)

FORD CAR PARTS

ILLUSTRATION SECTION 20

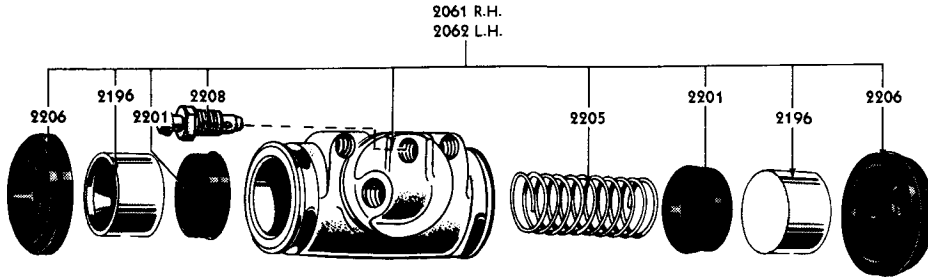


FRONT

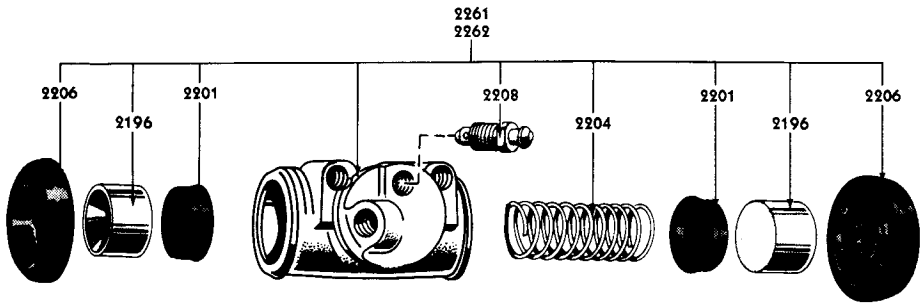


REAR

1960/ BRAKE CYLINDER (FORD)



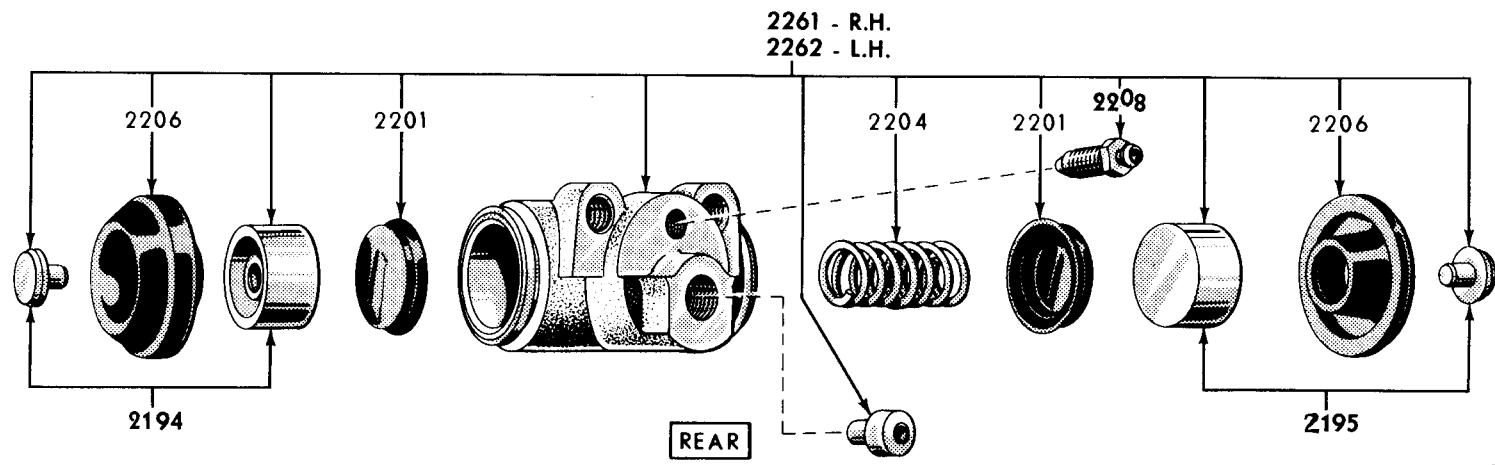
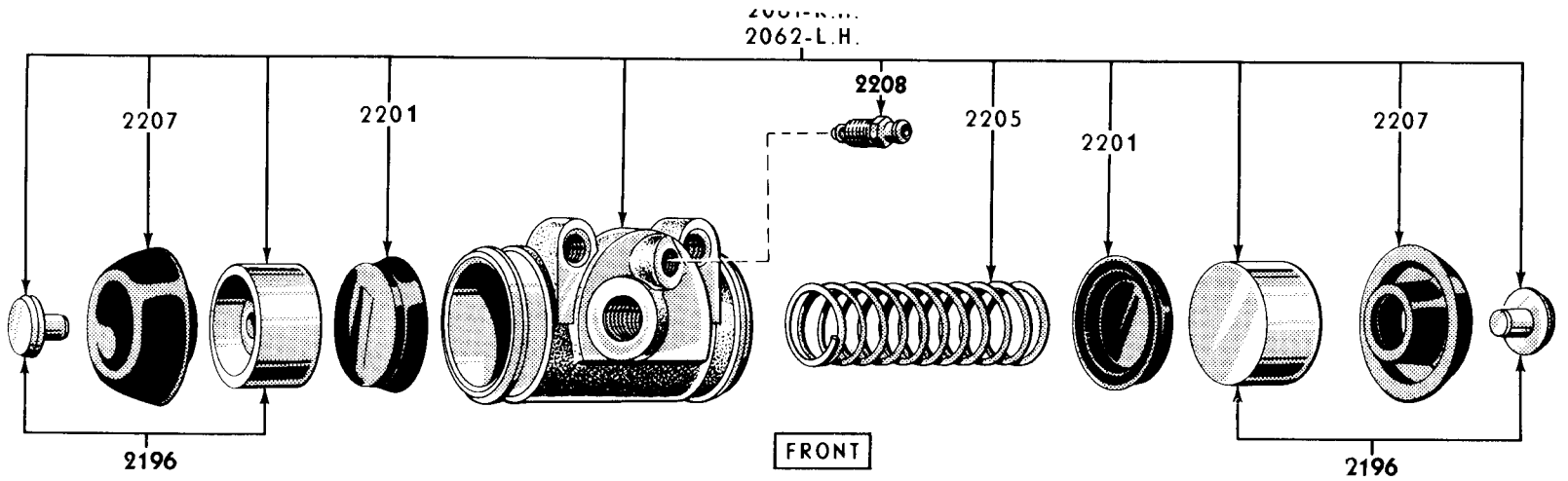
FRONT



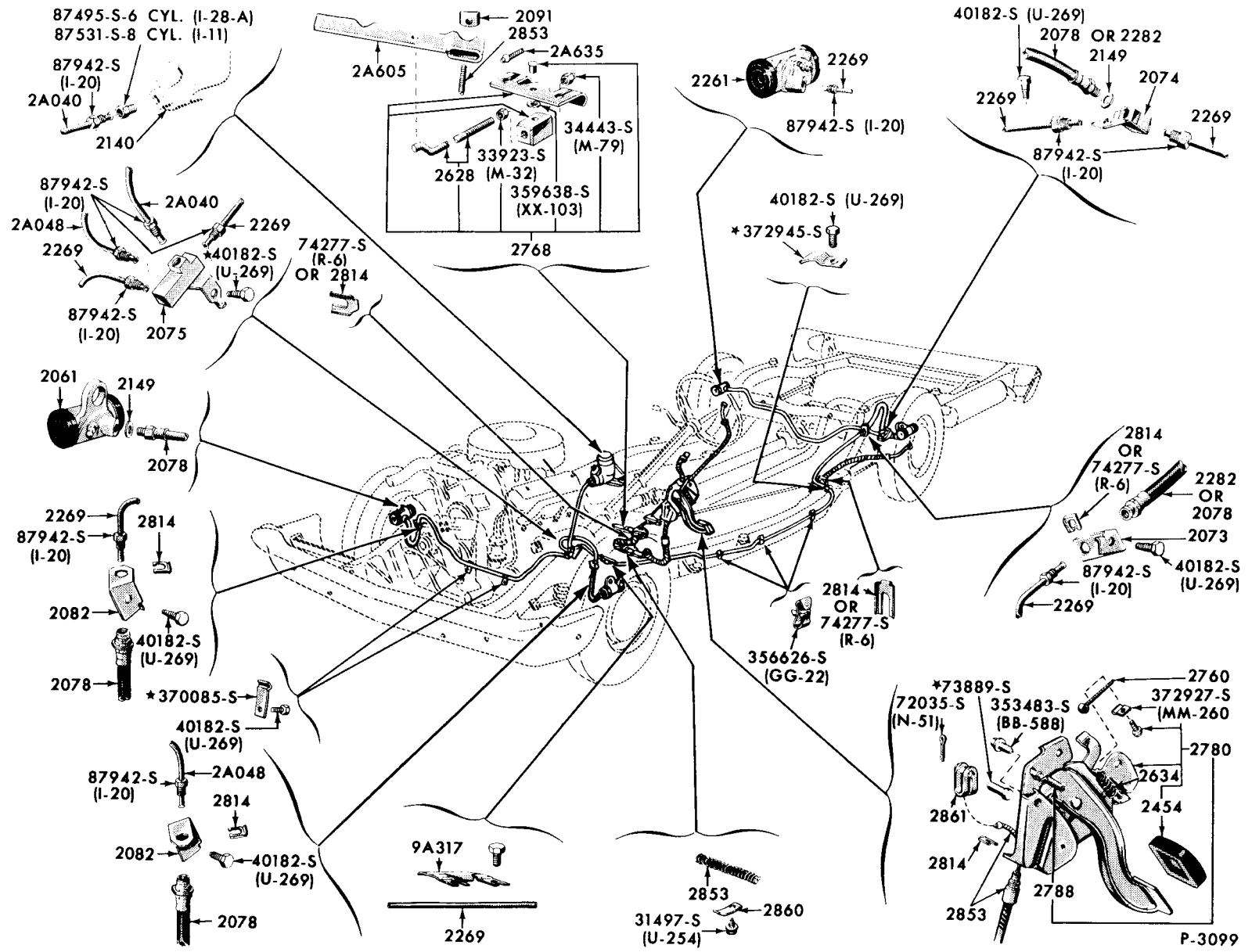
REAR

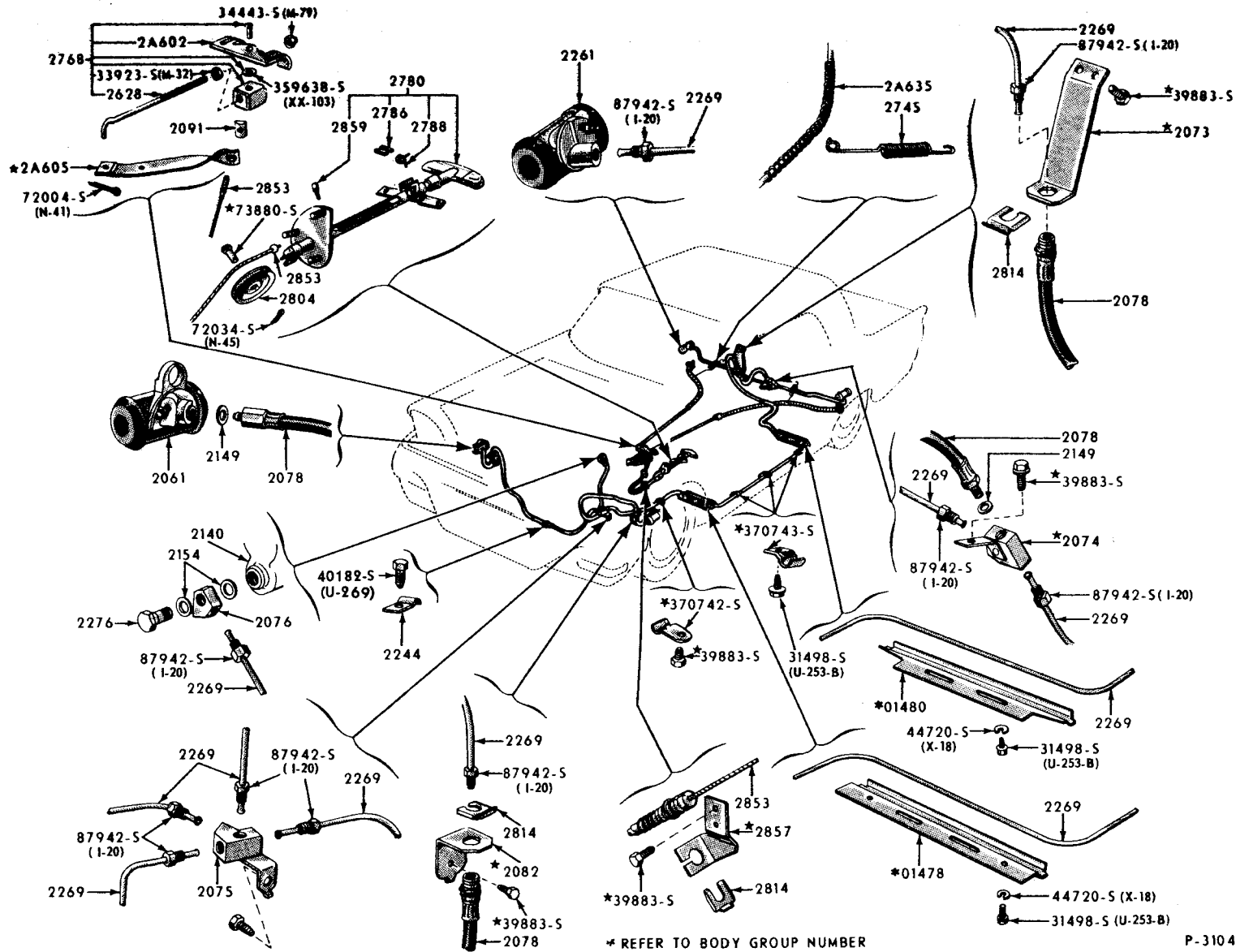
P-3906

1960/ BRAKE CYLINDER (THUNDERBIRD & FAIRLANE)



1960/64 BRAKE SYSTEM (FORD)



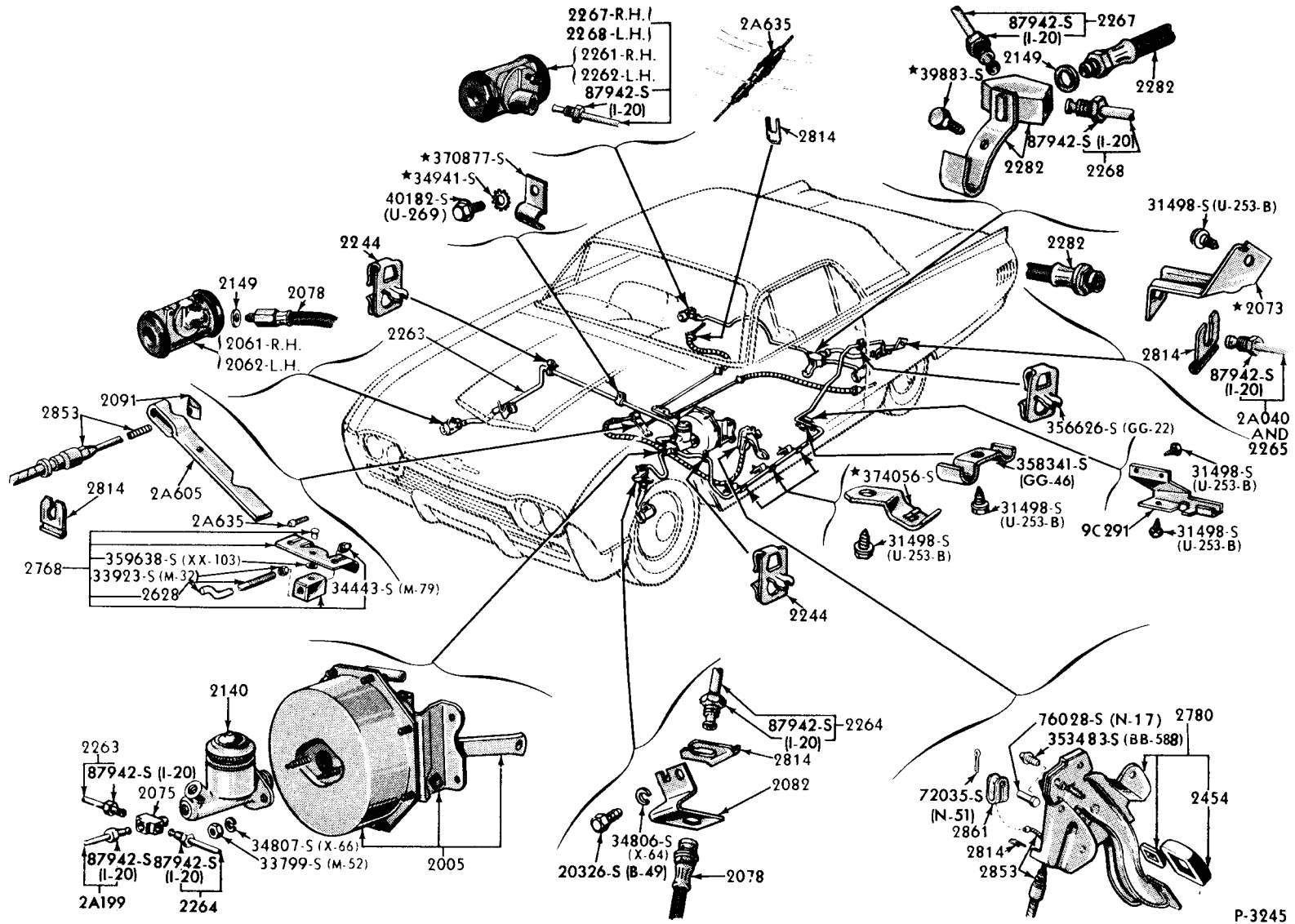


* REFER TO BODY GROUP NUMBER

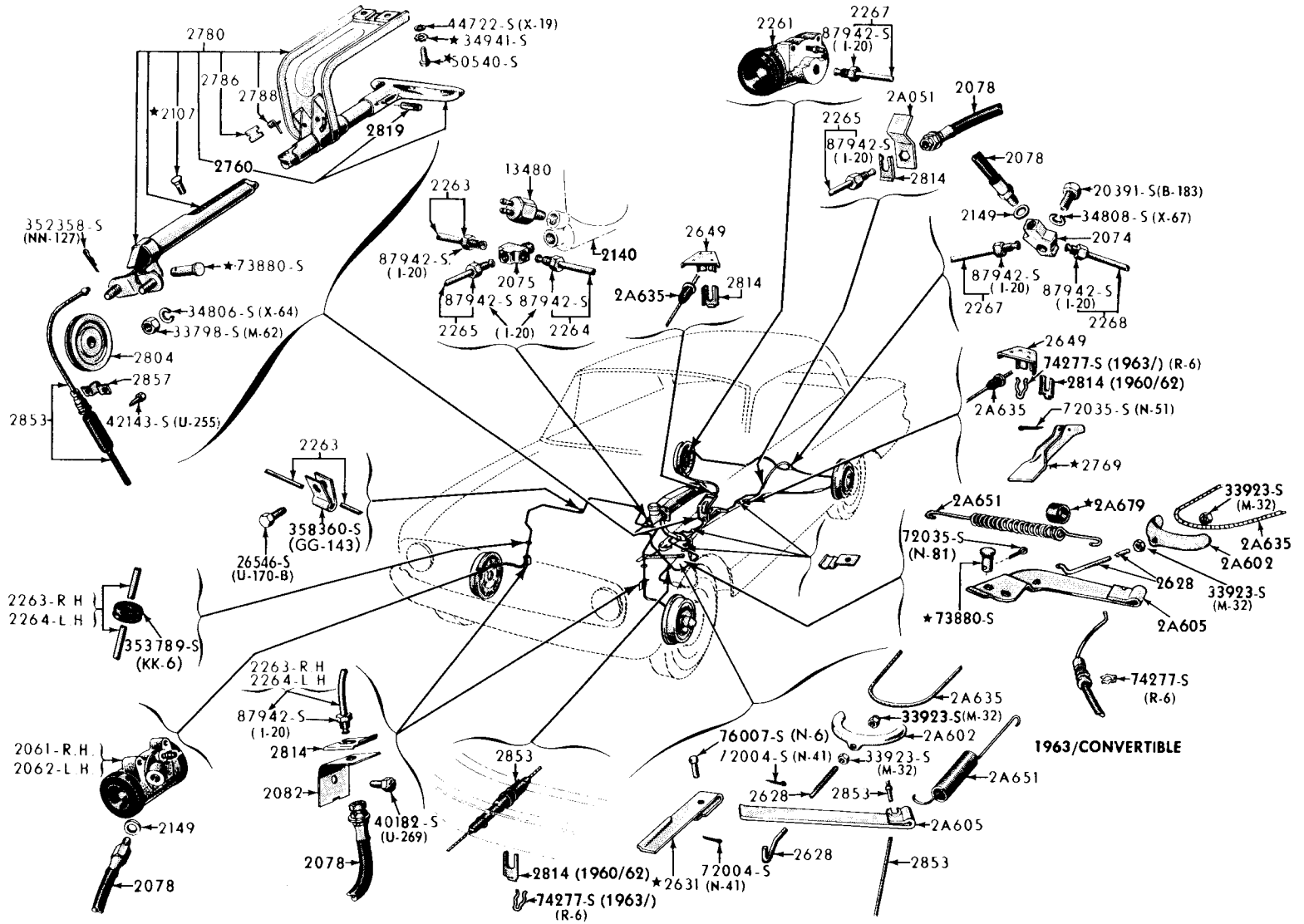
P-3104

1960

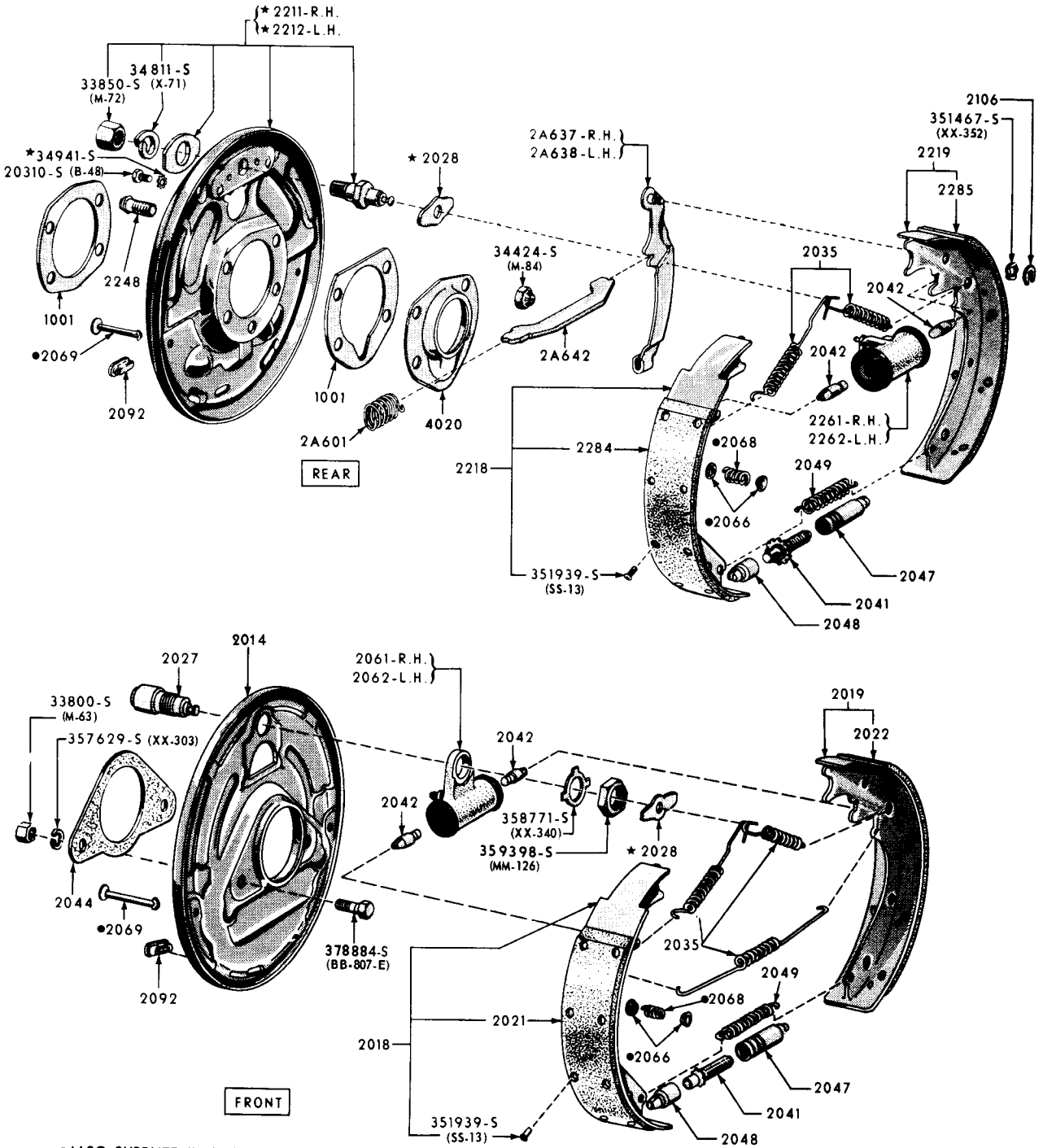
BRAKE SYSTEM (THUNDERBIRD)



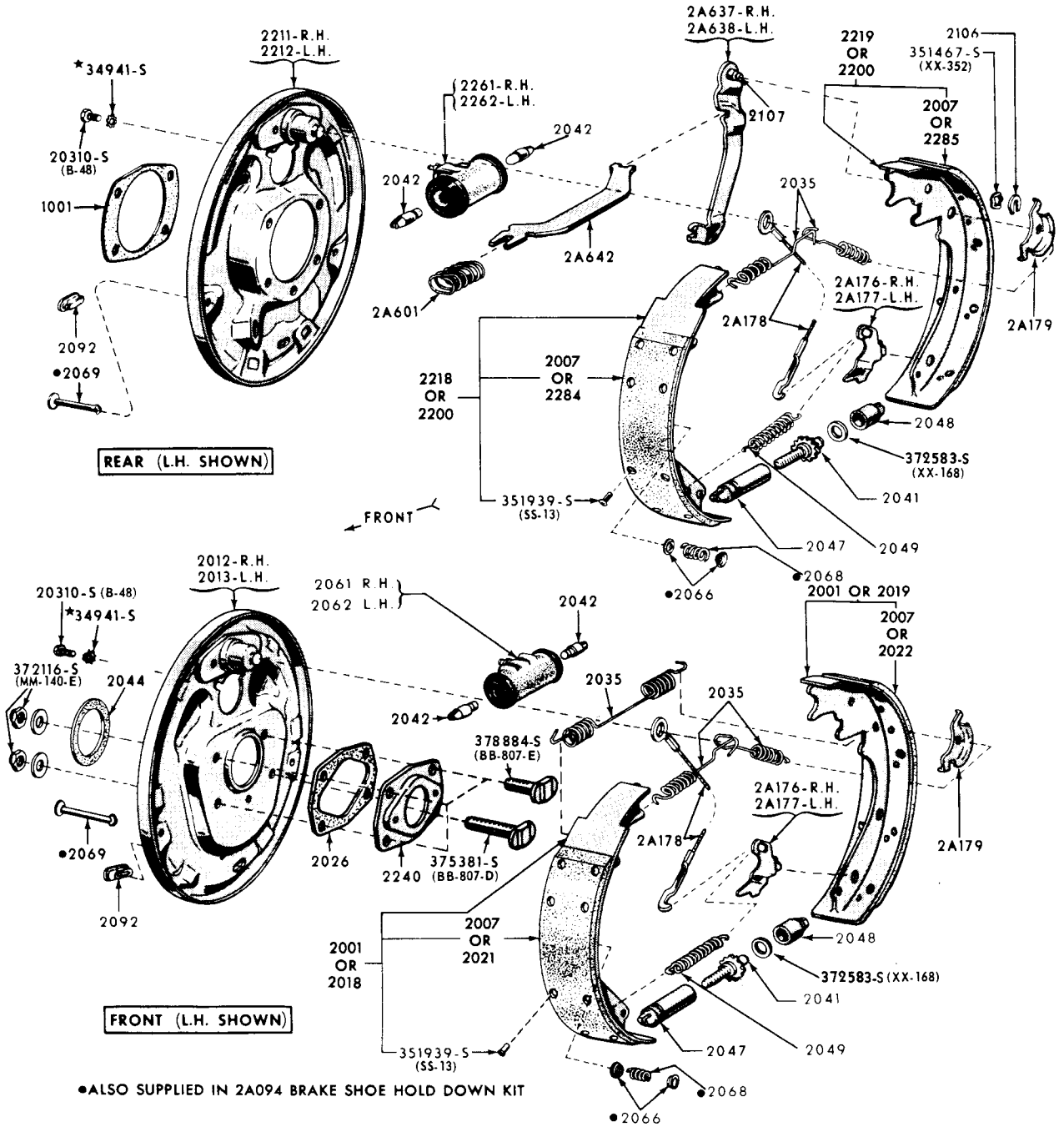
1960/
BRAKE SYSTEM (FALCON)

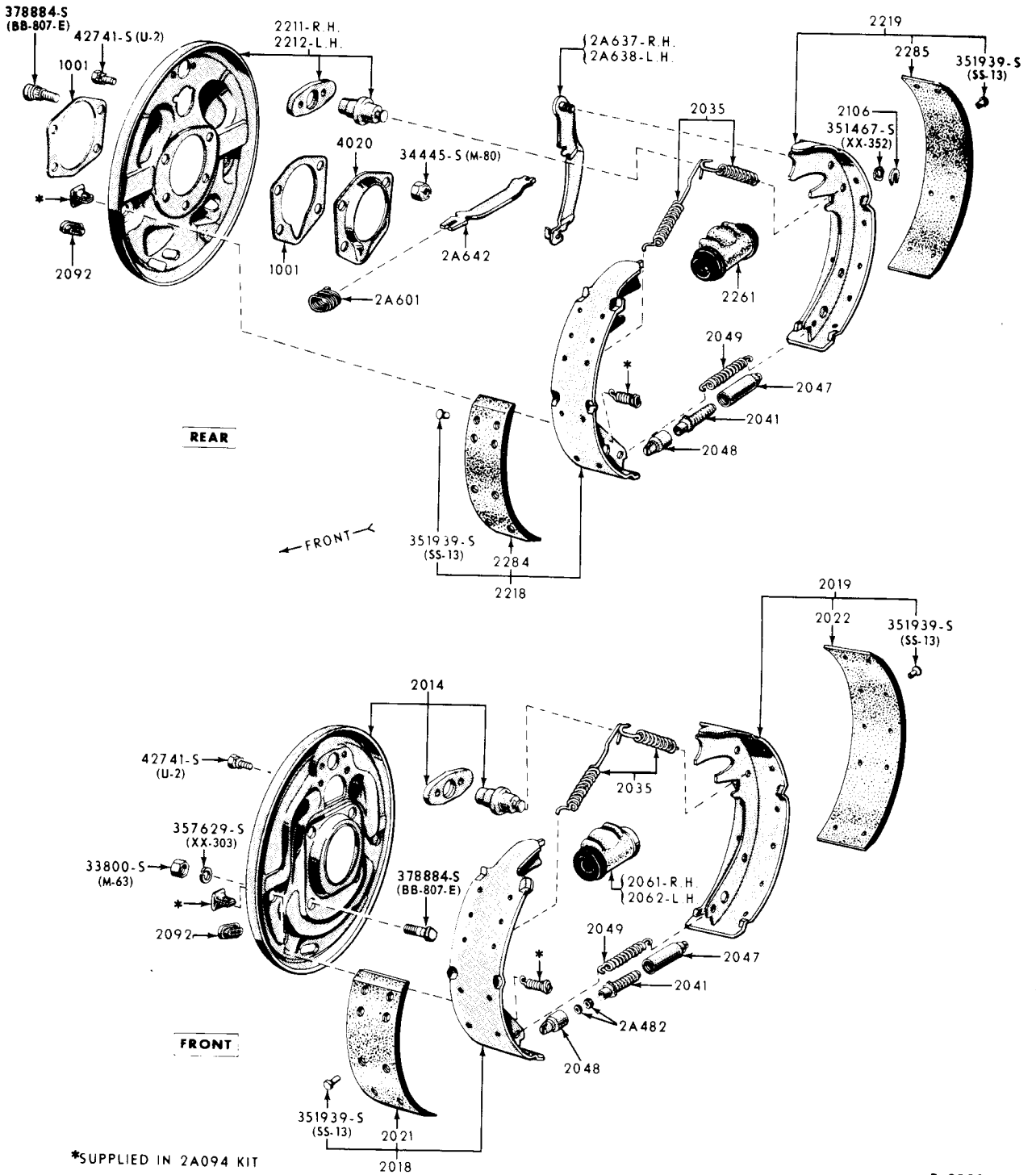


P-3119

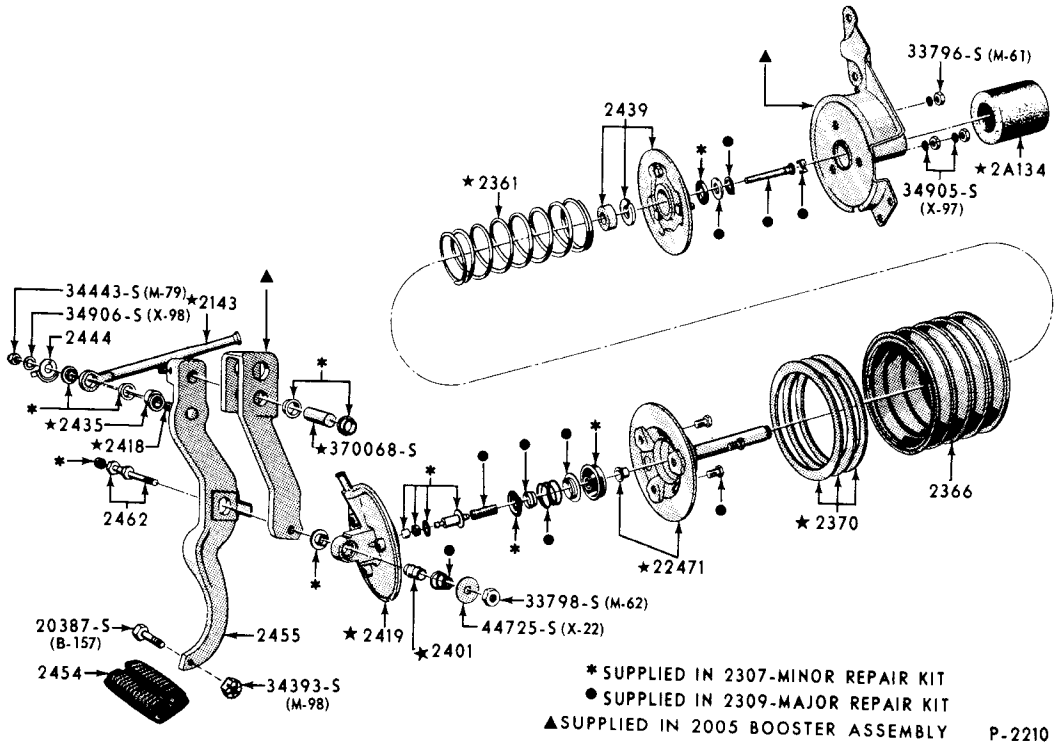


•ALSO SUPPLIED IN 2A094 BRAKE SHOE HOLD DOWN KIT



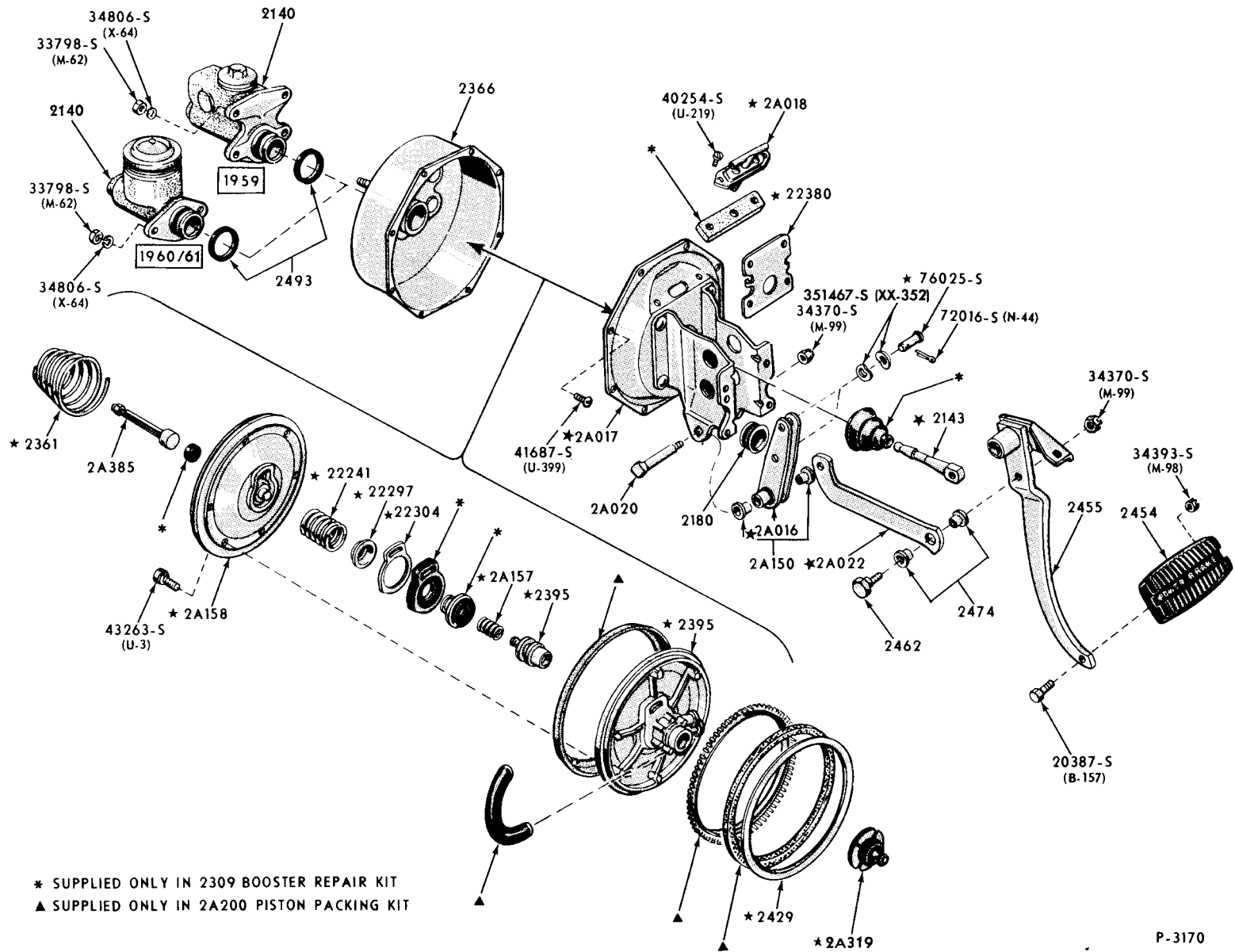


P-2989



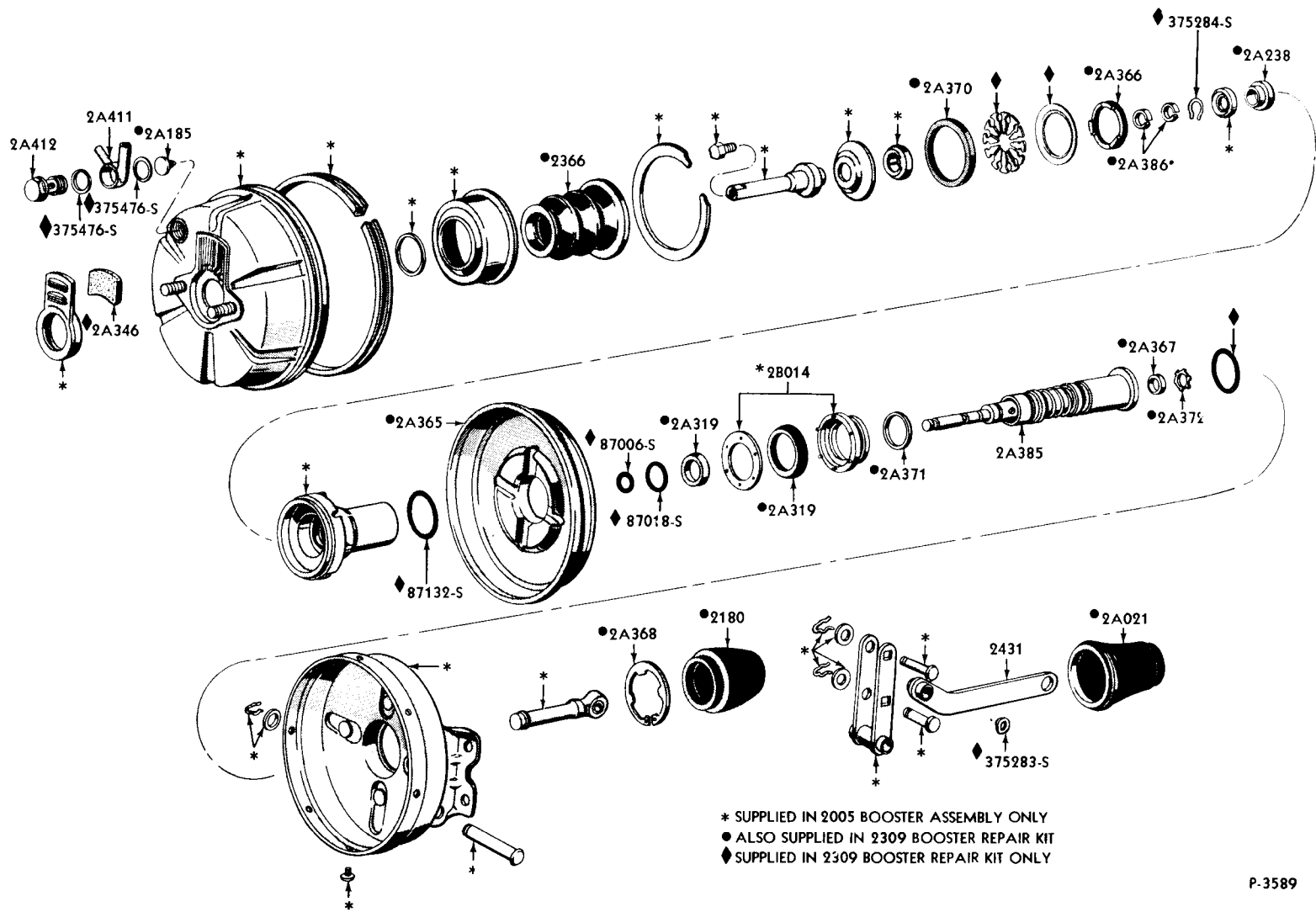
P-2210

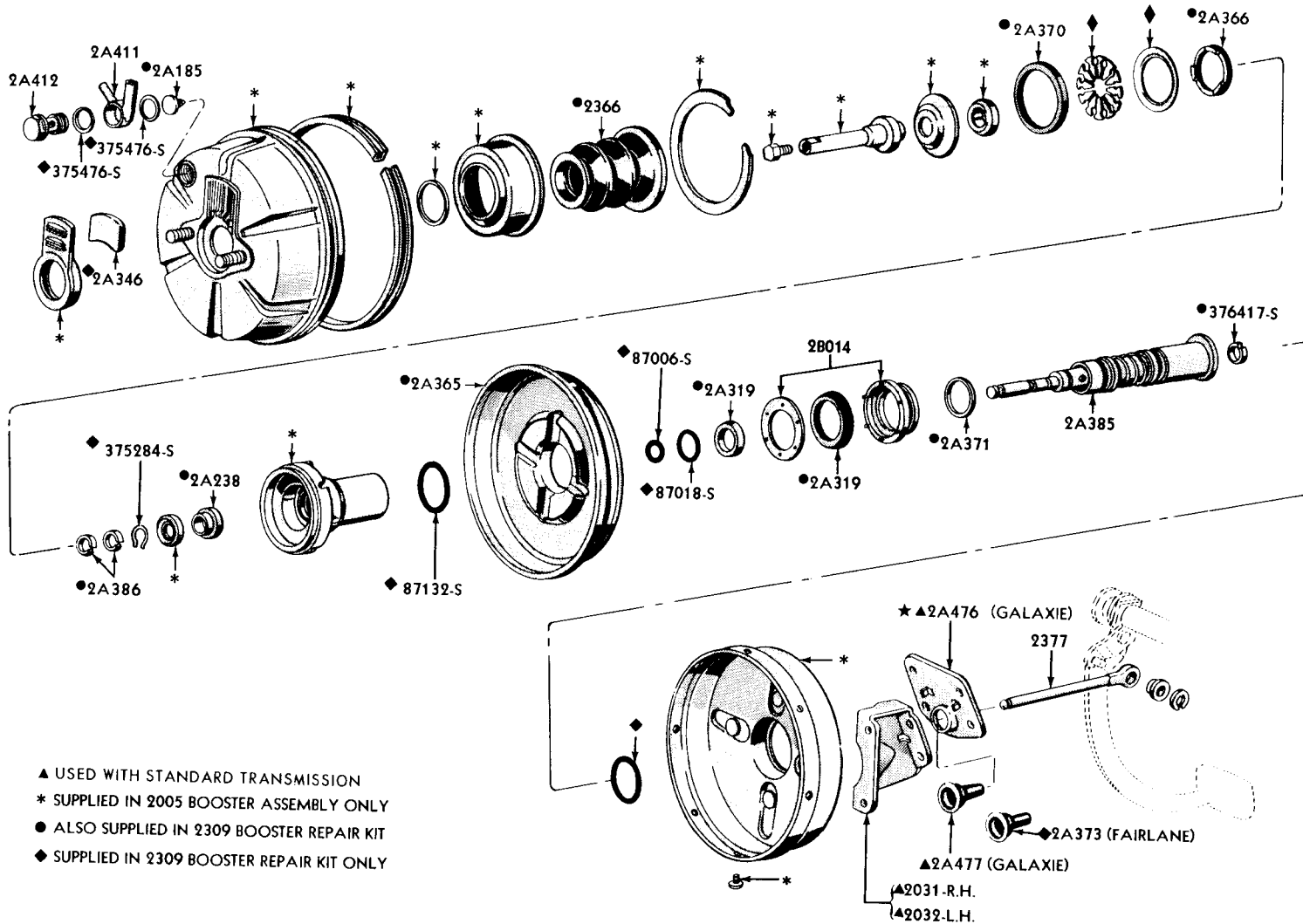
1960 POWER BRAKE BOOSTER (FORD-6 CYLINDER)



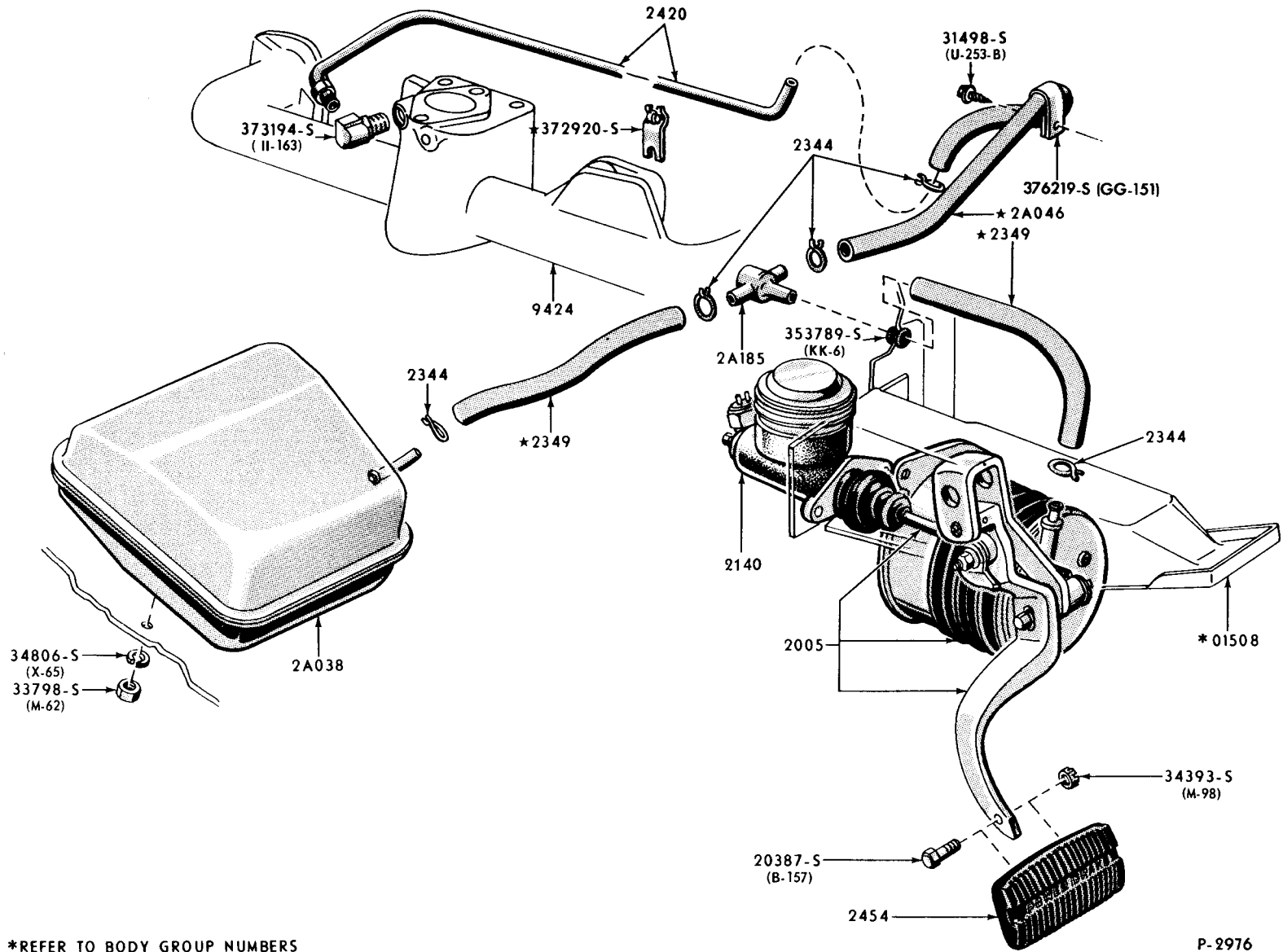
* SUPPLIED ONLY IN 2309 BOOSTER REPAIR KIT
 ▲ SUPPLIED ONLY IN 2A200 PISTON PACKING KIT

1961/63 POWER BRAKE BOOSTER (FORD & THUNDERBIRD) (MIDLAND-ROSS)

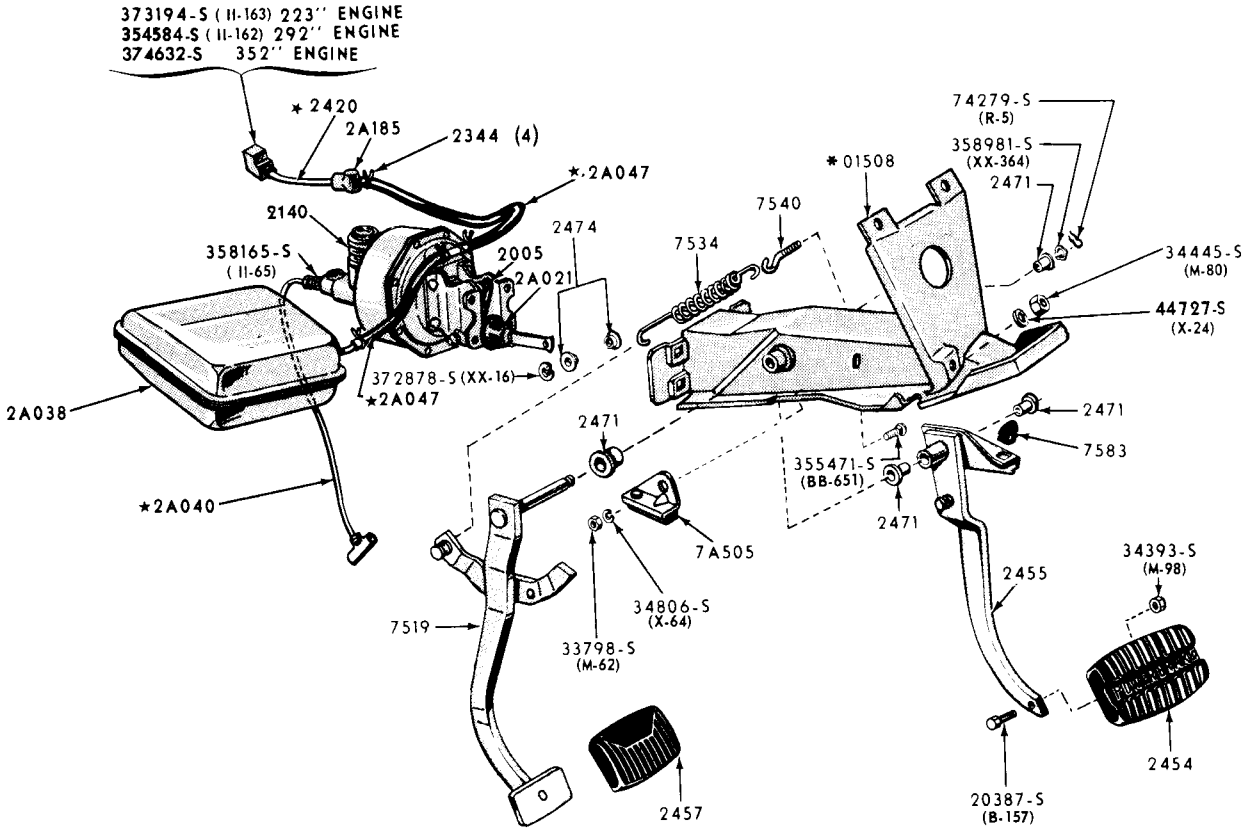




- ▲ USED WITH STANDARD TRANSMISSION
- * SUPPLIED IN 2005 BOOSTER ASSEMBLY ONLY
- ALSO SUPPLIED IN 2309 BOOSTER REPAIR KIT
- ◆ SUPPLIED IN 2309 BOOSTER REPAIR KIT ONLY



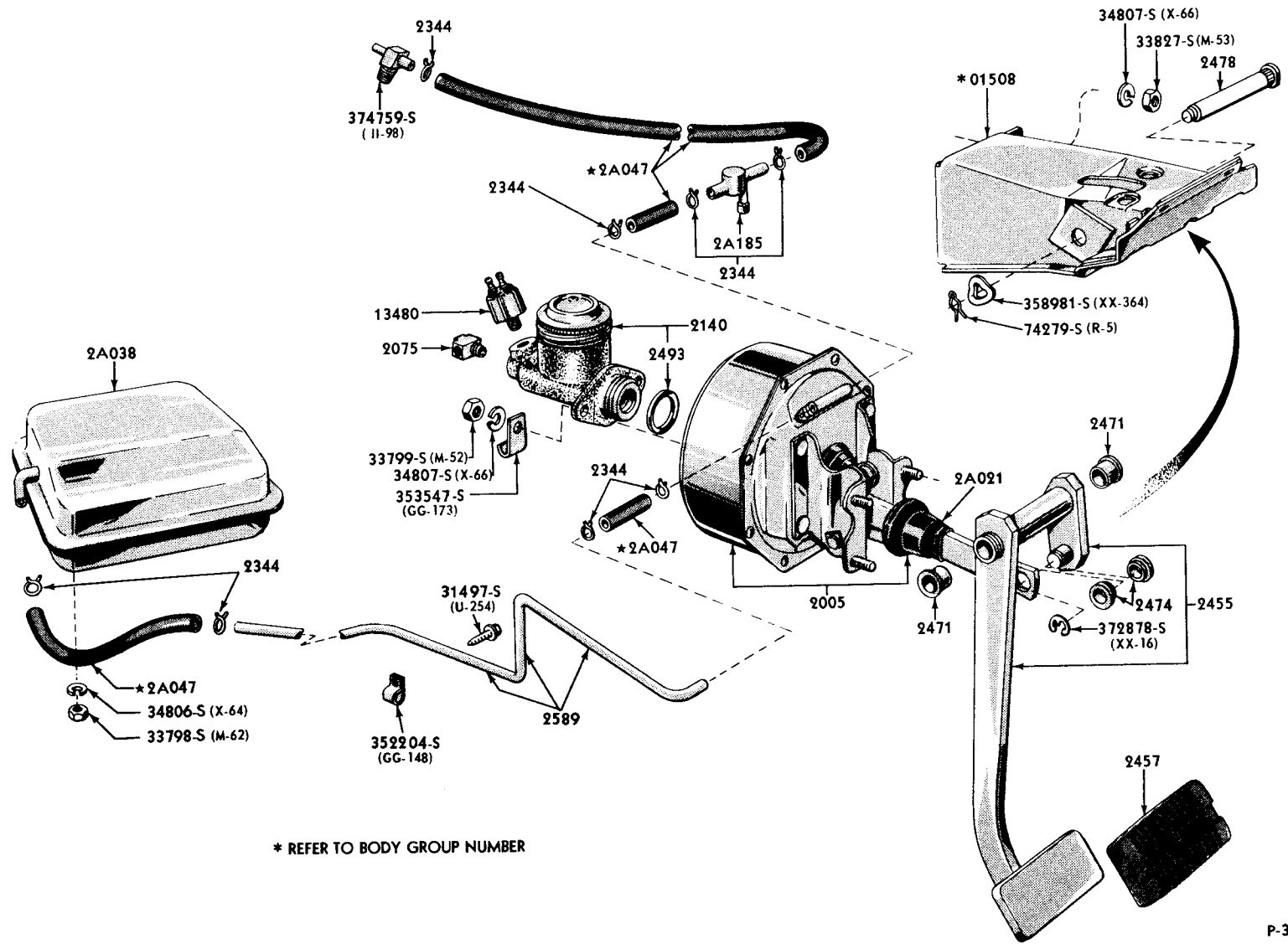
*REFER TO BODY GROUP NUMBERS



* REFER TO BODY GROUP NUMBER

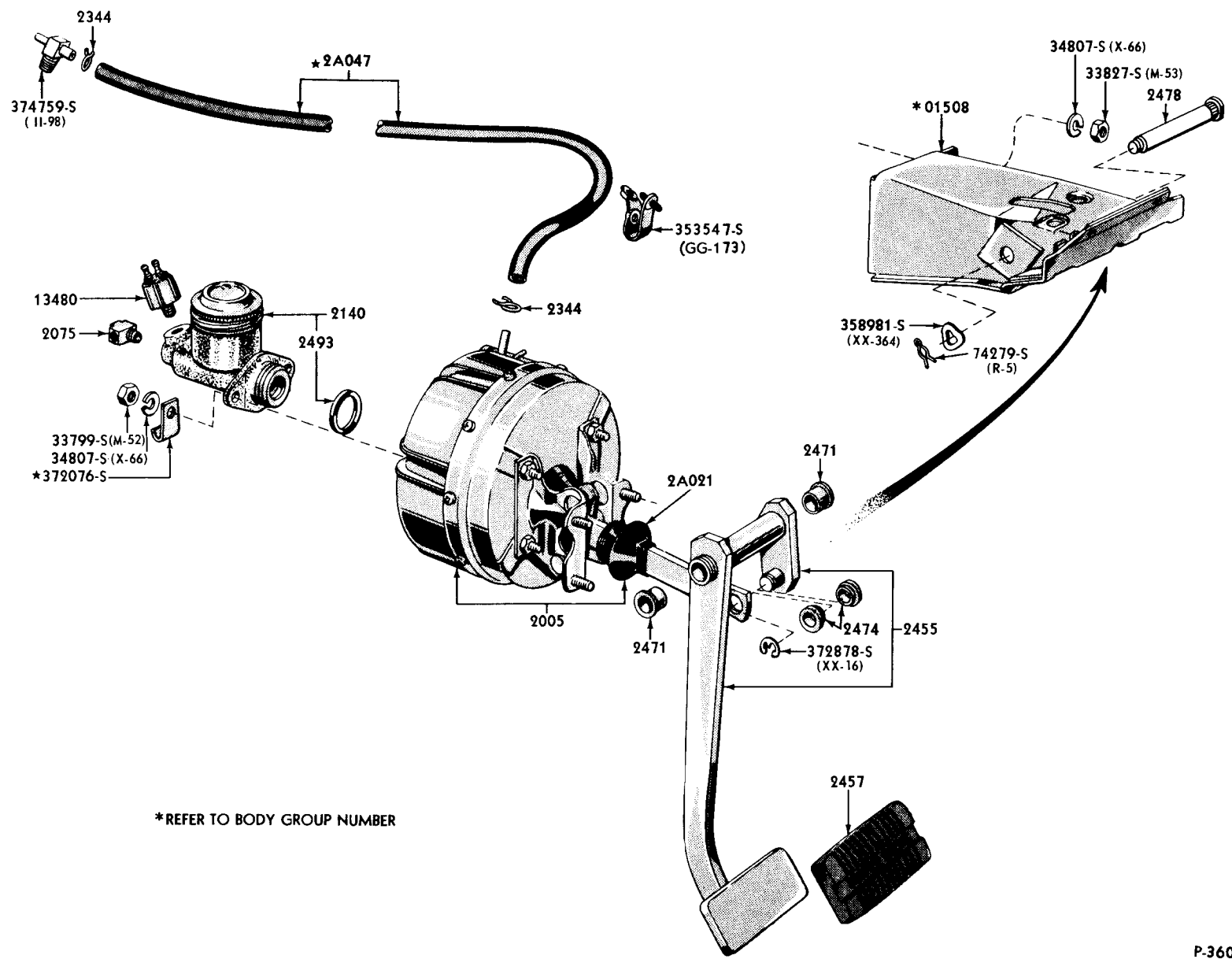
P-3134

1960 POWER BRAKE BOOSTER INSTALLATION (FORD-8 CYLINDER)



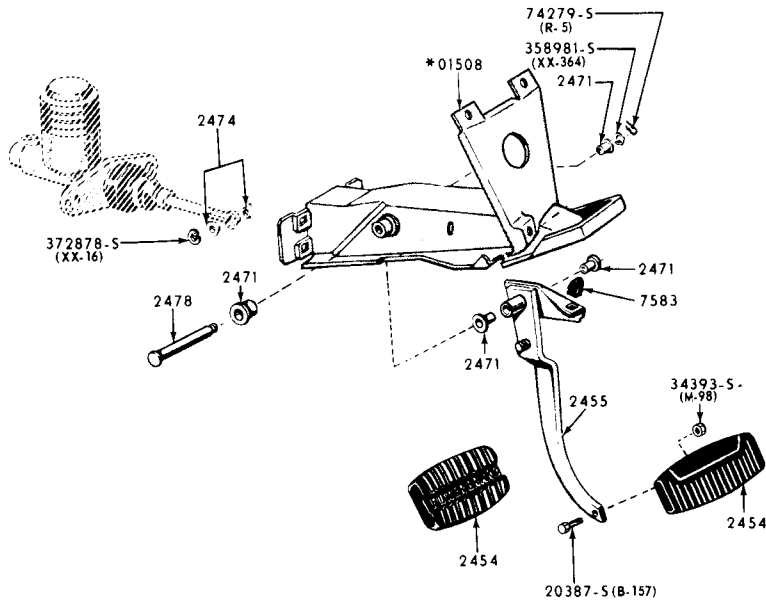
* REFER TO BODY GROUP NUMBER

1961 POWER BRAKE BOOSTER INSTALLATION (THUNDERBIRD)(BENDIX)



*REFER TO BODY GROUP NUMBER

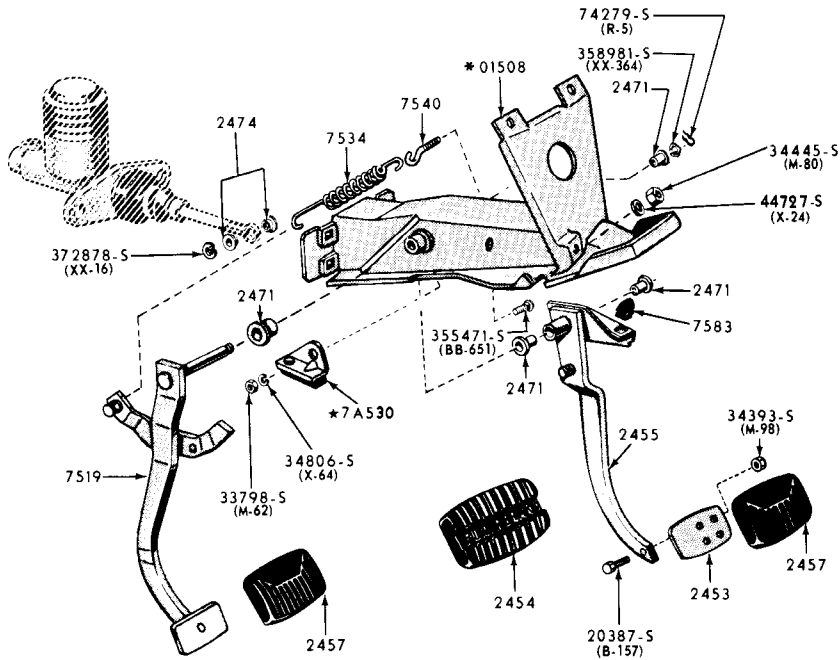
1961/63 POWER BRAKE BOOSTER INSTALLATION (THUNDERBIRD) (MIDLAND ROSS)



* REFER TO BODY GROUP NUMBER

P-2973

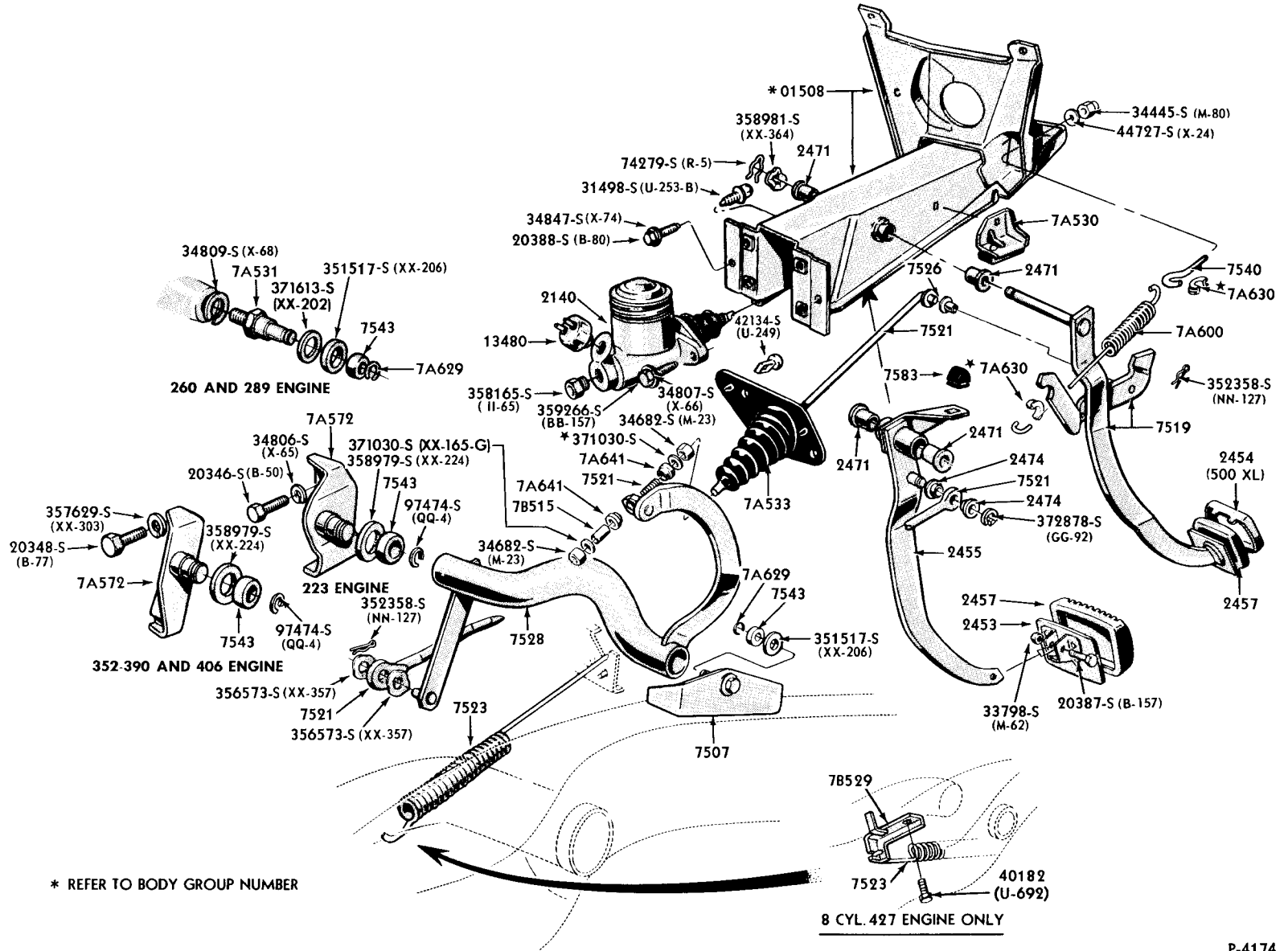
1960 BRAKE PEDAL & RELATED PARTS (FORDOMATIC)(FORD)



* REFER TO BODY GROUP NUMBER

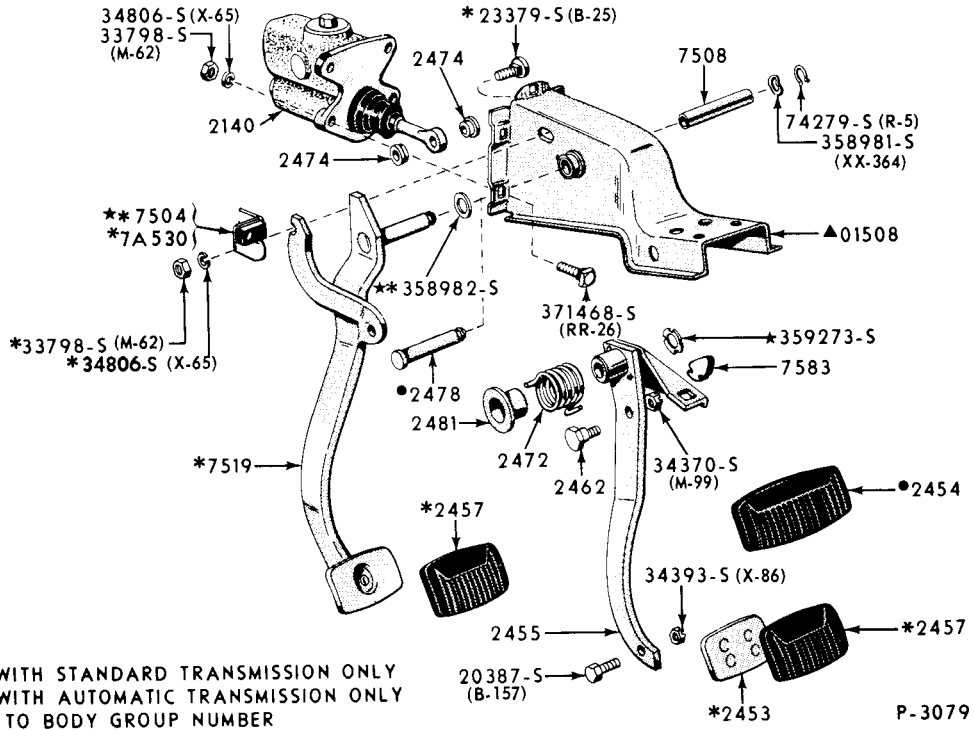
P-2972

1960 BRAKE & CLUTCH PEDALS & RELATED PARTS (MANUAL GEAR SHIFT) (FORD)

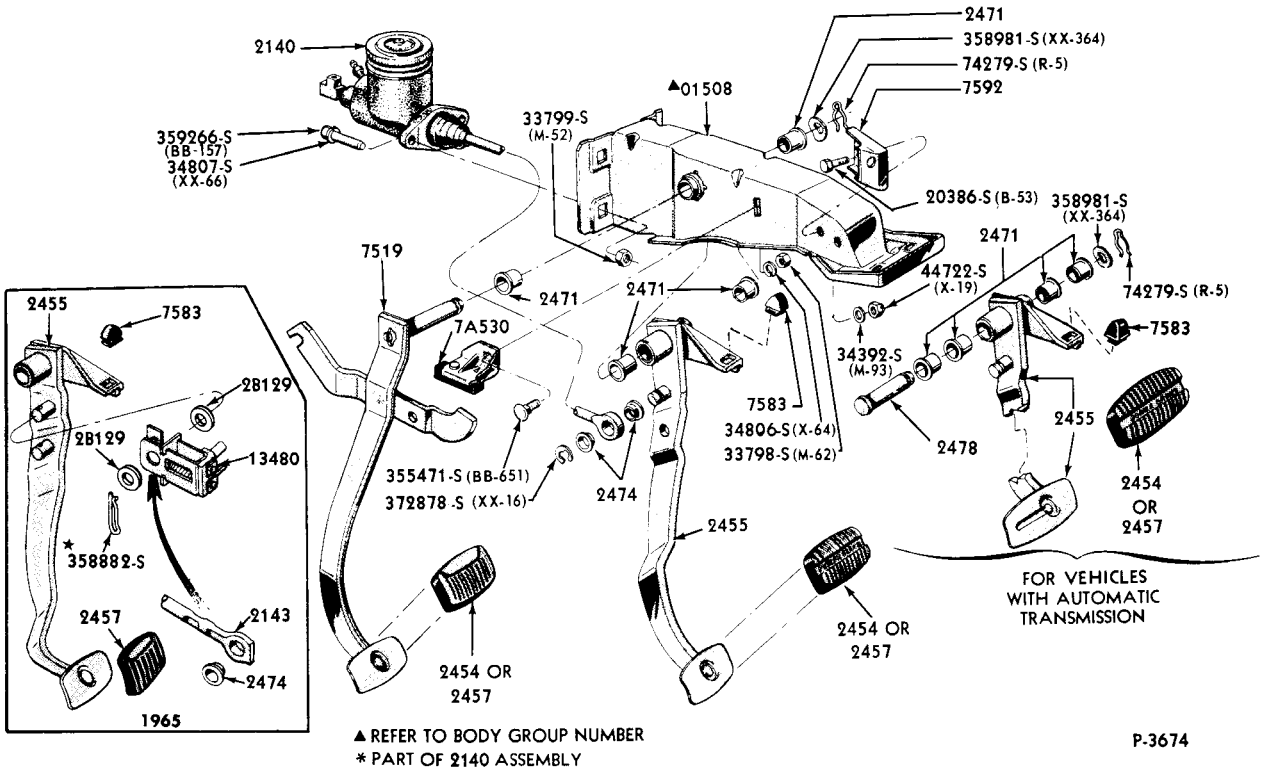


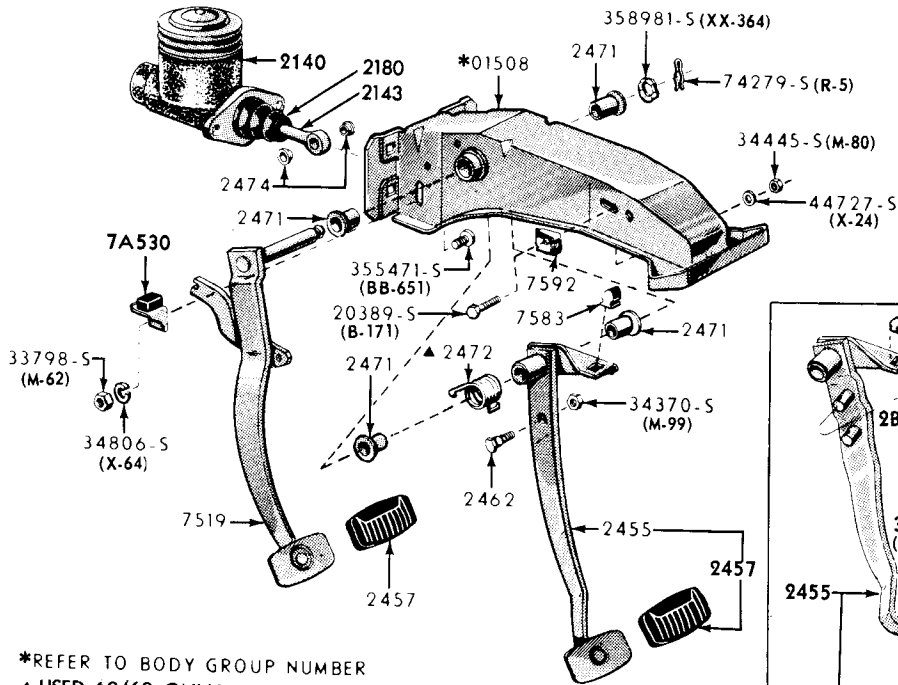
* REFER TO BODY GROUP NUMBER

8 CYL. 427 ENGINE ONLY

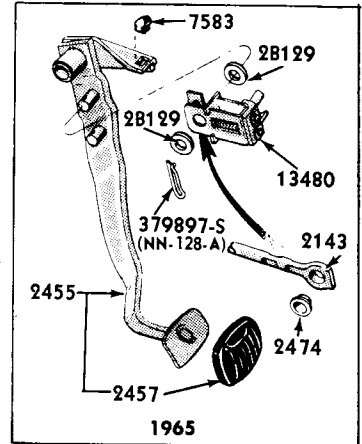


1960 BRAKE & CLUTCH PEDALS & RELATED PARTS (ALL TRANSMISSIONS) (THUNDERBIRD)



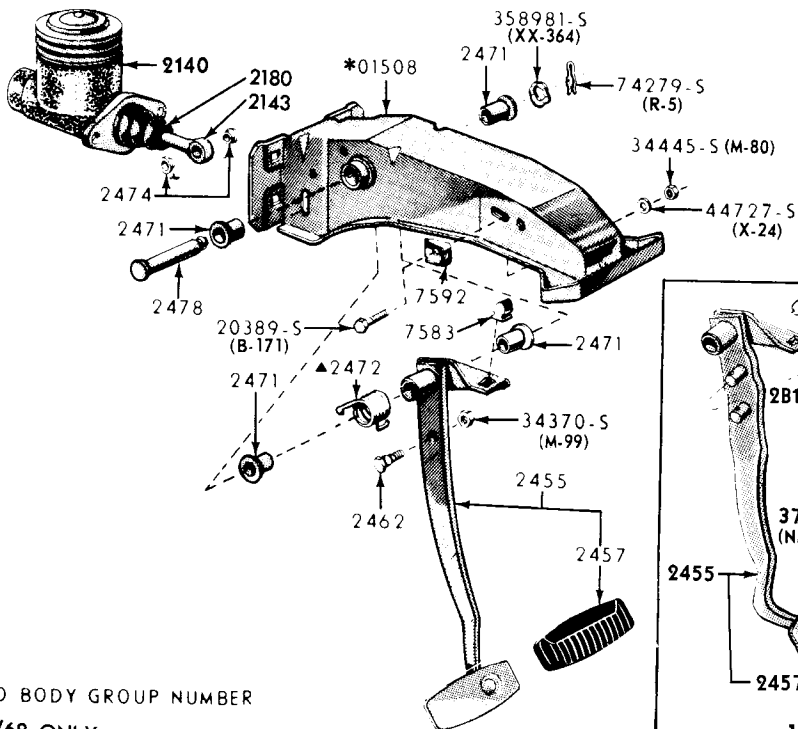


*REFER TO BODY GROUP NUMBER
▲ USED 60/62 ONLY

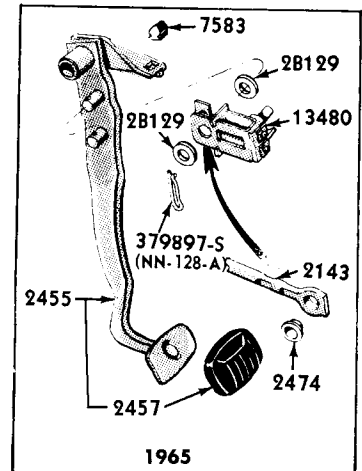


P-3130

1960/ BRAKE & CLUTCH PEDALS & RELATED PARTS (MANUAL GEAR SHIFT) (FALCON)



*REFER TO BODY GROUP NUMBER
▲ USED 60/62 ONLY



P-3131

1960/ BRAKE PEDAL & RELATED PARTS (FORDOMATIC) (FALCON)

INDEX

INCLUDED IN THIS INDEX ARE THE FOLLOWING MAJOR GROUPS IN THE ORDER SHOWN BELOW.

FRONT SUSPENSION
POWER STEERING SYSTEM

POWER STEERING PUMP
POWER STEERING VALVE & CYLINDER

STEERING GEAR
STEERING LINKAGE

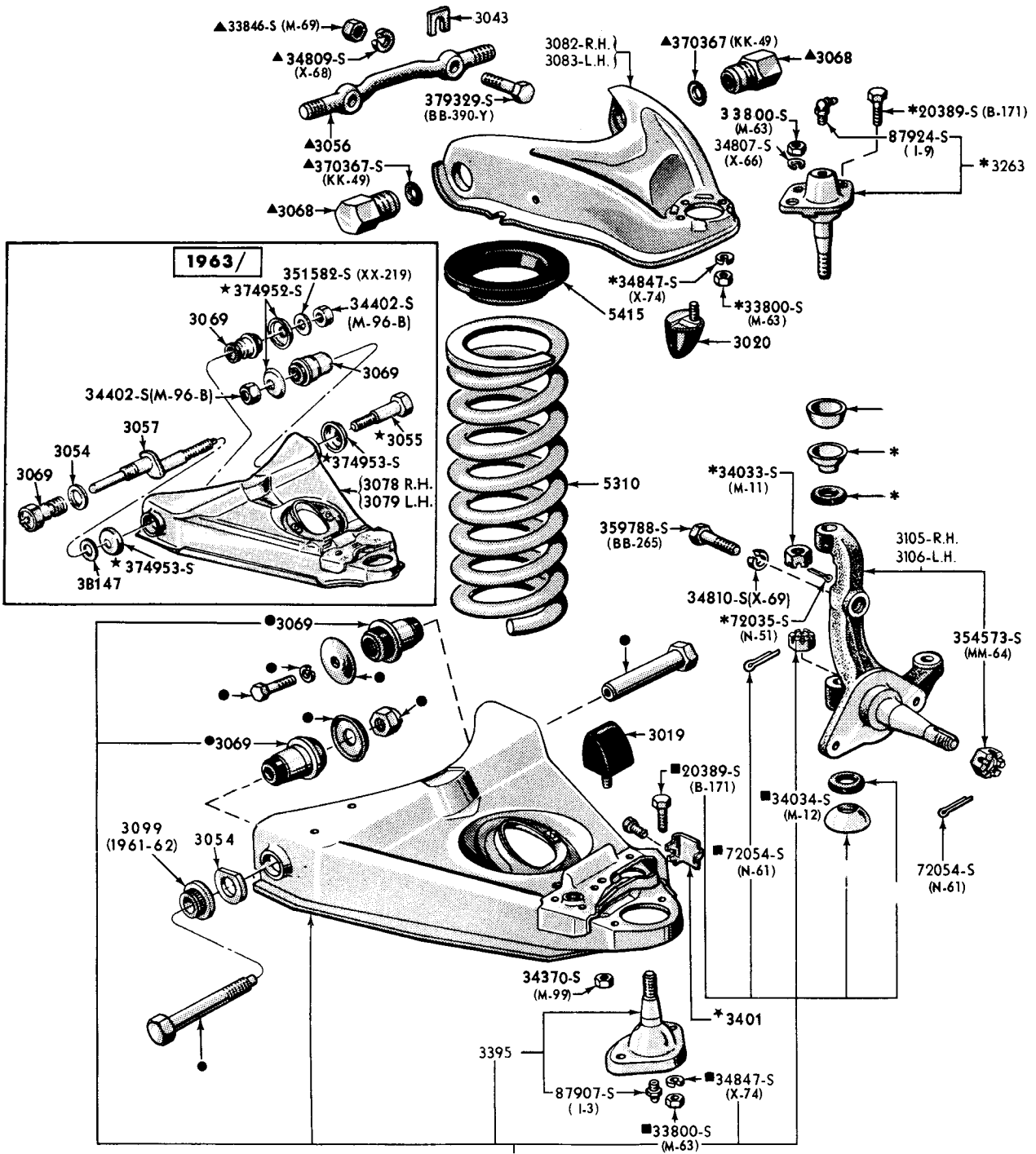
STEERING COLUMN & SHIFT MECHANISM - AUTOMATIC
STEERING COLUMN & SHIFT MECHANISM - STANDARD & OVERDRIVE

STEERING COLUMN FOR FLOOR SHIFT
STEERING WHEEL & HORN RING

YEAR	TITLE	ILLUS. NO.	SECTION	PAGE
FRONT SUSPENSION				
1960/64	Front Suspension (Ford)	P-2983	30	68
1962/	Front Suspension (Fairlane)	P-3675	30	69
1961/62	Front Suspension (Thunderbird)	P-3274	30	70
1963/	Front Suspension (Thunderbird)	P-4400	30	71
1960/	Front Suspension (Falcon)	P-3120	30	72
POWER STEERING SYSTEM				
1960	Power Steering System (Ford-6 Cylinder)	P-2916	35	73
1960	Power Steering System (Ford-8 Cylinder)	P-2891	35	74
1961/64	Power Steering System (Ford)	P-3492	35	75
1962/	Power Steering System (Fairlane)	P-3773	35	76
1961/64	Power Steering System (Thunderbird)	P-3286	35	77
1963/64	Power Steering System (Falcon-6 & 8 cylinder)	P-4139	35	78
POWER STEERING PUMP				
1960	Power Steering Pump and Related Parts (Ford-6 cylinder)-Typical	P-2289	35	79
1960	Power Steering Pump and Related Parts (Ford-8 cylinder)	P-2203	35	80
1960/64	Power Steering Pump and Related Parts (Roll Type) (Ford, Fairlane, Falcon, Thunderbird)	P-3211	35	81
POWER STEERING VALVE and CYLINDER				
1960	Power Steering Valve and Cylinder (Ford, Thunderbird)	P-2380	35	82
1961/64	Power Steering Control Valve (Ford)-Typical	P-4179	35	83
1961/64	Power Steering Cylinder & Related Parts (Ford)-Typical	P-4180	35	83
1962/	Power Steering Control Valve (Fairlane)-Typical	P-4179	35	83
1962/	Power Steering Cylinder & Related Parts (Fairlane)-Typical	P-4180	35	83
1963/	Power Steering Control Valve (Falcon)-Typical	P-4179	35	83
1963/	Power Steering Cylinder & Related Parts (Falcon)-Typical	P-4180	35	83

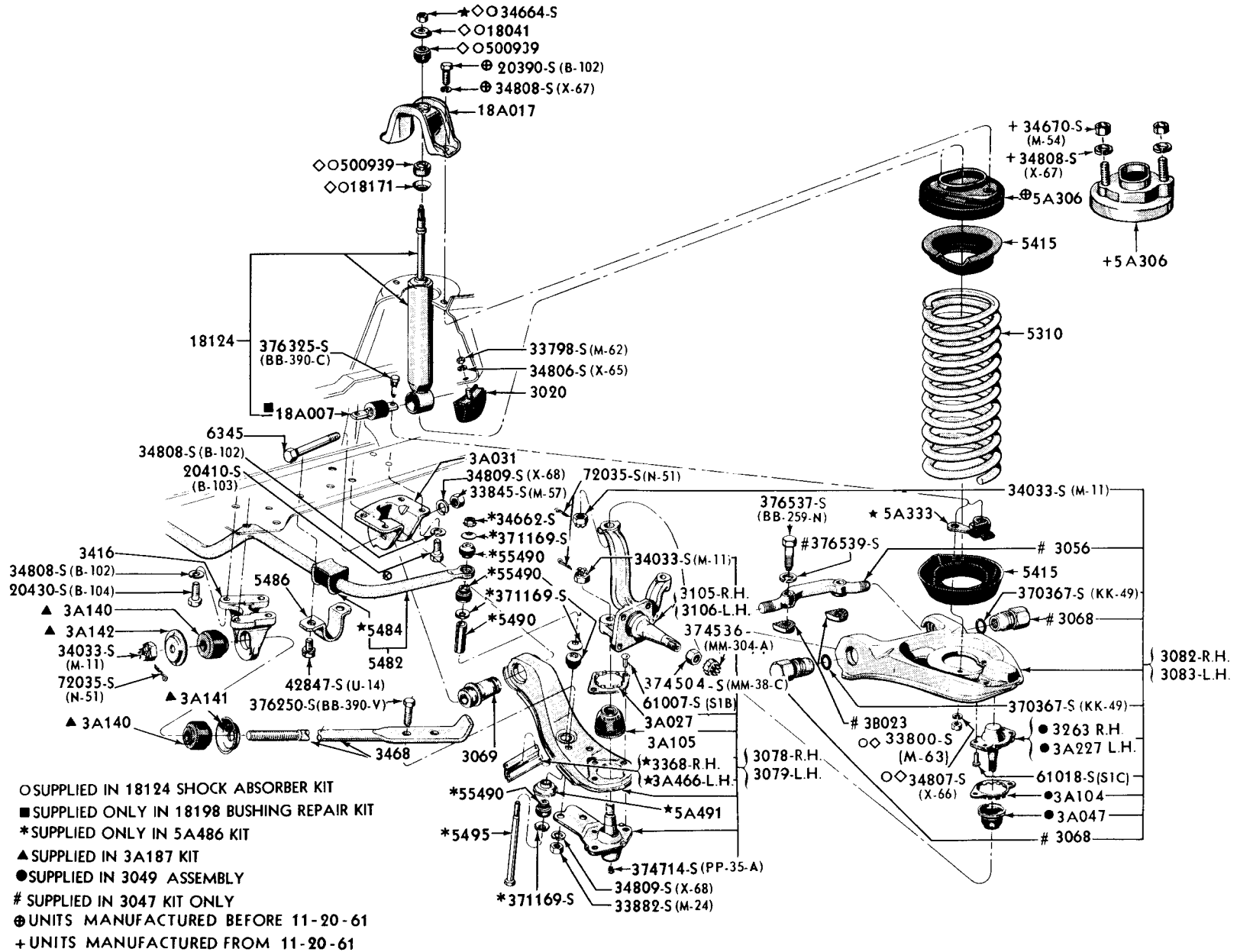
INDEX

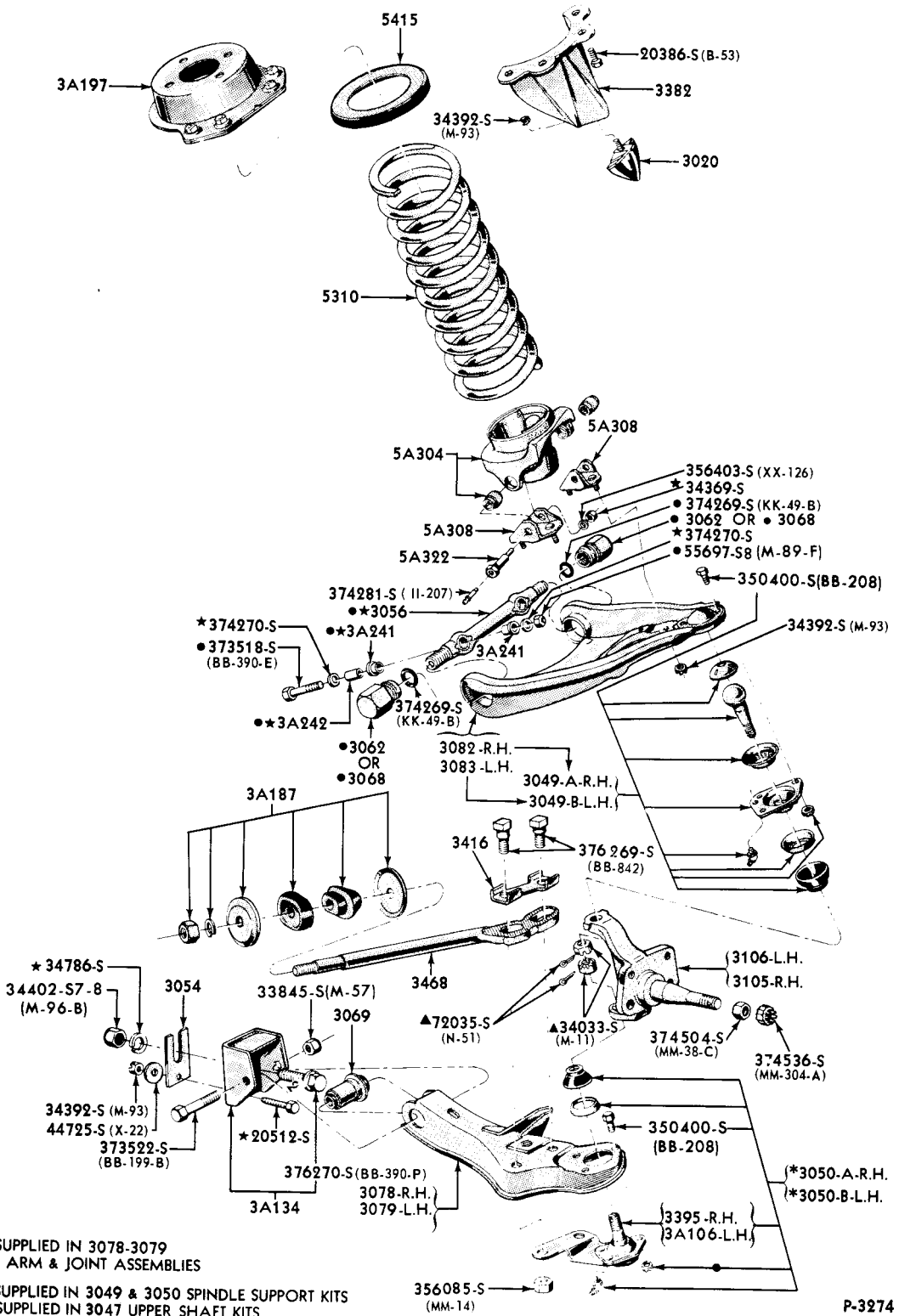
YEAR	TITLE	ILLUS. NO.	SECTION	PAGE
STEERING GEAR				
1960	Manual Steering Gear (Ford)	P-2853	35	84
1961/64	Manual Steering Gear (Ford)	P-3497	35	85
1962/	Manual Steering Gear (Fairlane)	P-3724	35	86
1960	Manual Steering Gear (Thunderbird)	P-2687	35	87
1961/64	Power Steering Gear (Thunderbird)	P-3300	35	88
1960/	Manual Steering Gear (Falcon)	P-3122	35	89
STEERING LINKAGE				
1960	Manual Steering Linkage (Ford)	P-2198	35	90
1961/64	Manual Steering Linkage (Ford)	P-3254	35	91
1960	Power Steering Linkage (Ford)	P-2202	35	92
1961/64	Power Steering Linkage (Ford)	P-3492	35	75
1962/	Manual Steering Linkage (Fairlane)-6 & 8 cylinder	P-3669	35	93
1962/	Power Steering Linkage (Fairlane)	P-3773	35	76
1960	Manual Steering Linkage (Thunderbird)	P-1593	35	94
1960	Power Steering Linkage (Thunderbird)	P-2201	35	95
1961/64	Power Steering Linkage (Thunderbird)	P-3286	35	77
1960/	Manual Steering Linkage (Falcon)-6 cylinder	P-3121	35	96
1963/64	Manual Steering Linkage (Falcon)-8 cylinder	P-4258	35	97
STEERING COLUMN and SHIFT MECHANISM - AUTOMATIC				
REFER TO ILLUSTRATION SECTION A72				
STEERING COLUMN and SHIFT MECHANISM - STANDARD & OVERDRIVE				
REFER TO ILLUSTRATION SECTION 72				
STEERING COLUMN FOR FLOOR SHIFT				
1962	Steering Column for all Transmissions with Floor Shift (Ford-Galaxie 500-XL)	P-3893	35	98
1963/64	Steering Column for all Transmissions with Floor Shift (Ford-Galaxie 500-XL)	P-4237	35	99
1962/	Steering Column for Floor Shift (Fairlane)	P-3724	35	86
1962/64	Steering Column for Floor Shift (Falcon)	P-3898	35	100
STEERING WHEEL and HORN RING				
1960	Steering Wheel & Horn Ring (Ford)	P-2986	35	101
1961/64	Steering Wheel & Horn Ring (Ford)-Typical	P-3299	35	102
1962/64	Steering Wheel & Horn Ring (Ford-Galaxie 500-XL)	P-3816	35	103
1962/64	Steering Wheel & Horn Ring (Fairlane)	P-3714	35	104
1960	Steering Wheel & Horn Ring (Thunderbird)	P-2686	35	105
1961/63	Steering Wheel & Horn Ring (Thunderbird) - Typical	P-3365	35	105
1964	Steering Wheel & Horn Ring (Thunderbird)	P-4544	35	106
1960/63	Steering Wheel & Horn Ring (Falcon)	P-3117	35	107
1964	Steering Wheel & Horn Ring (Falcon)	P-4515	35	108



- ▲ SUPPLIED IN 3047 UPPER SHAFT KIT
- SUPPLIED IN 3048 LOWER SHAFT KIT
- * SUPPLIED IN 3049 UPPER SPINDLE SUPPORT KIT
- SUPPLIED IN 3050 LOWER SPINDLE SUPPORT KIT
- ◆ SUPPLIED IN 3078 R.H. & 3079 L.H. ARM ASS'Y.

P-2983





* ALSO SUPPLIED IN 3078-3079 LOWER ARM & JOINT ASSEMBLIES

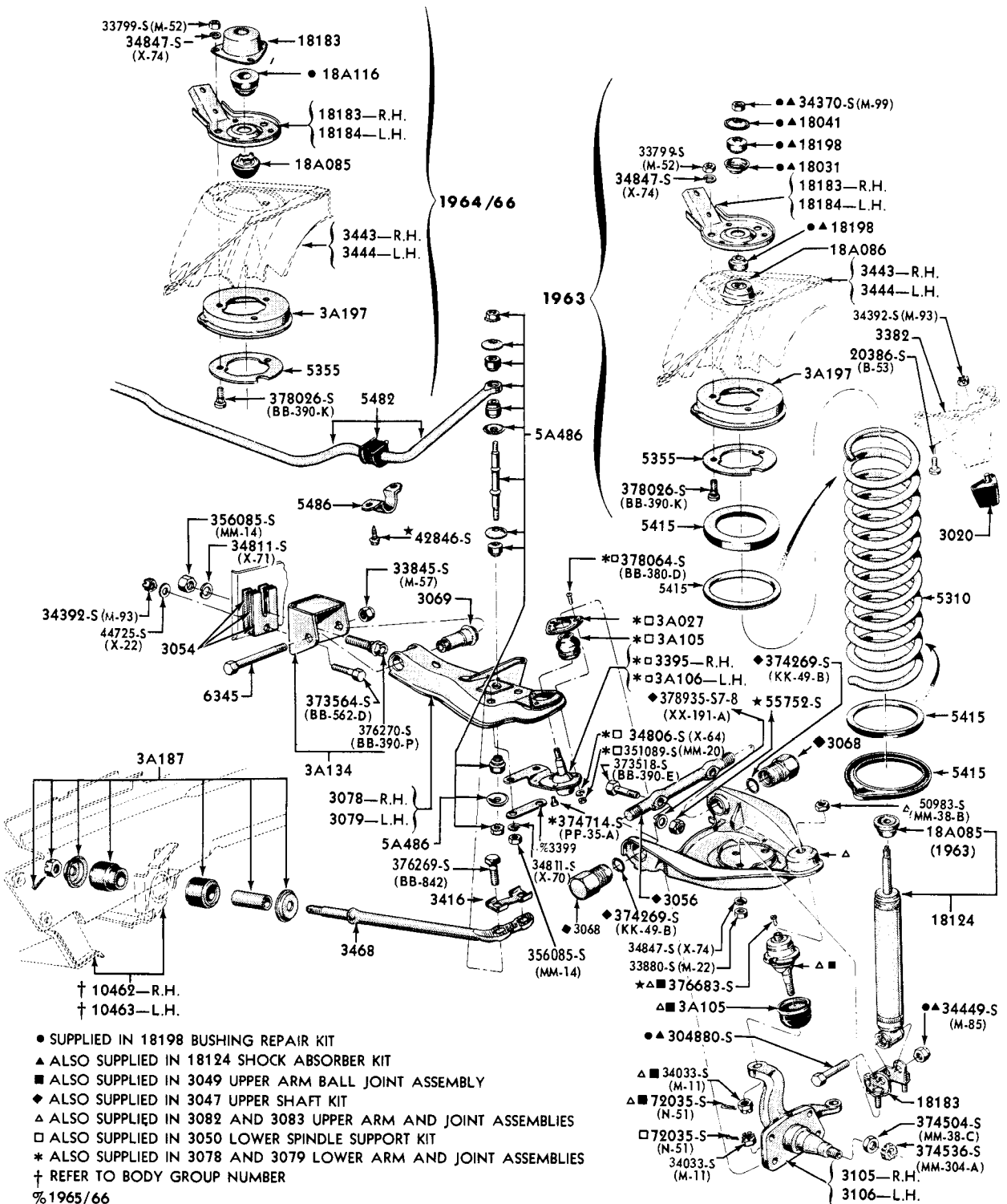
▲ ALSO SUPPLIED IN 3049 & 3050 SPINDLE SUPPORT KITS

● ALSO SUPPLIED IN 3047 UPPER SHAFT KITS

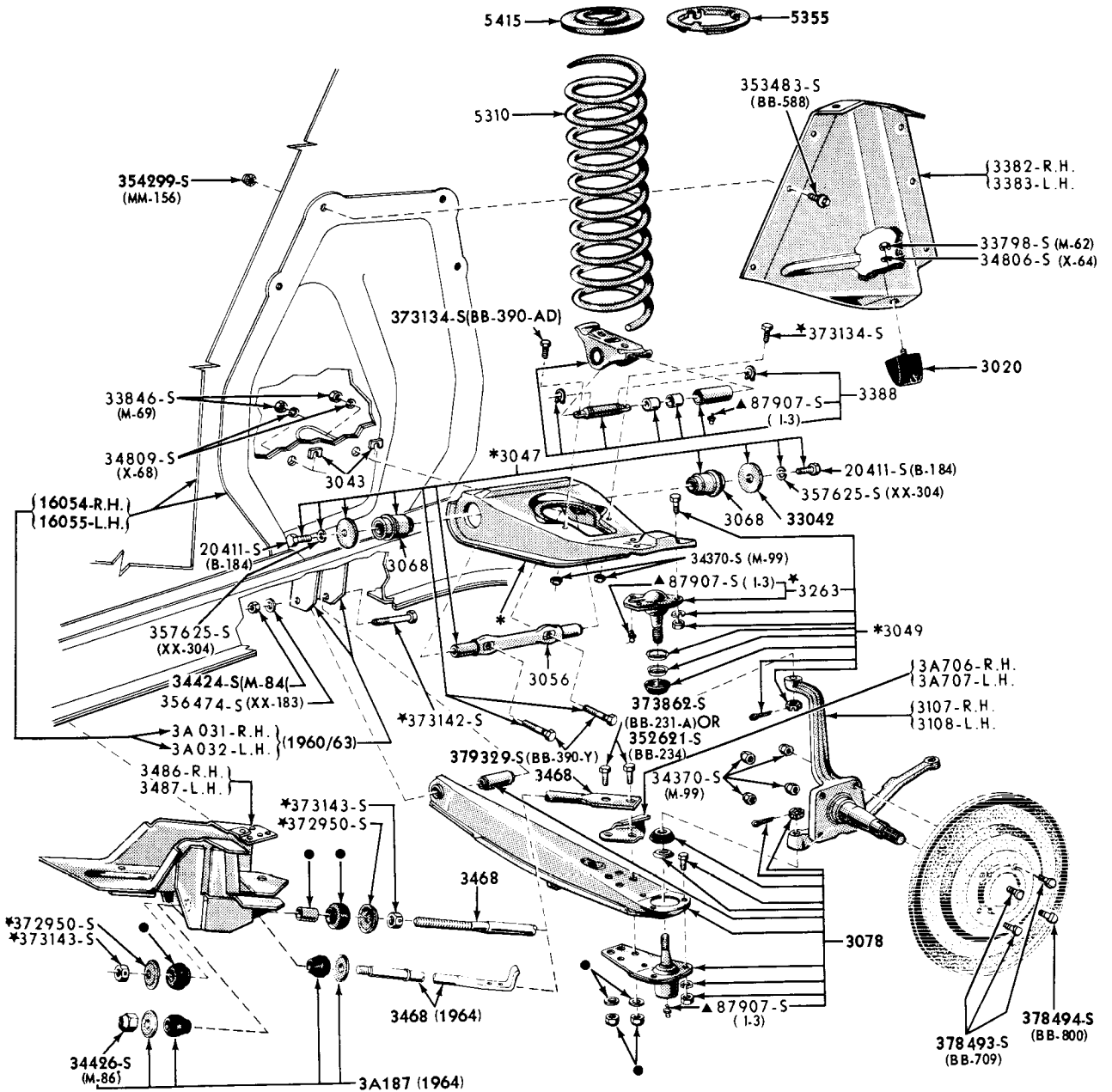
■ ALSO SUPPLIED IN 3049 UPPER ARM BALL JOINT ASSEMBLY

△ ALSO SUPPLIED IN 3082 & 3083 UPPER ARM AND JOINT ASSEMBLIES

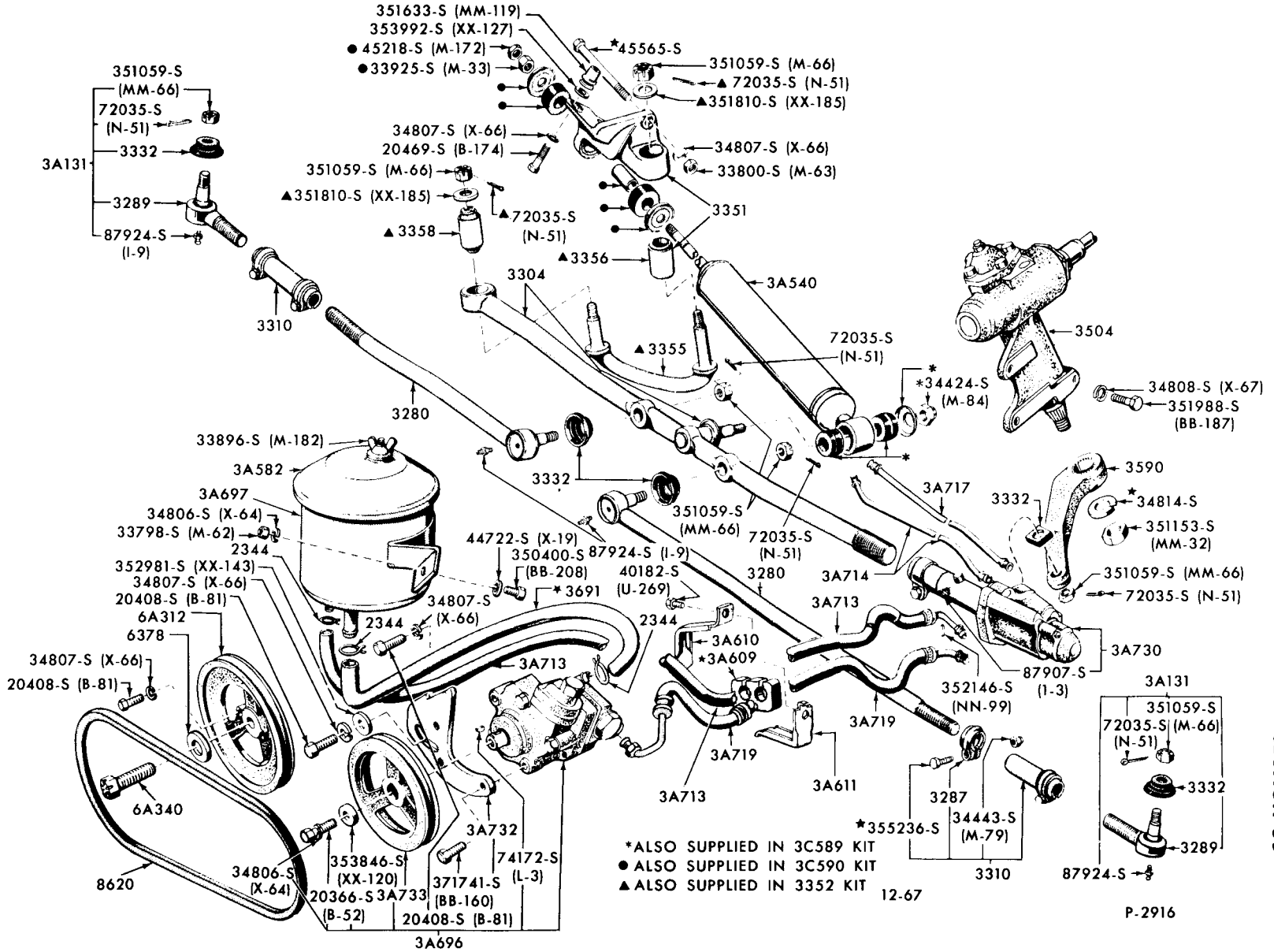
P-3274

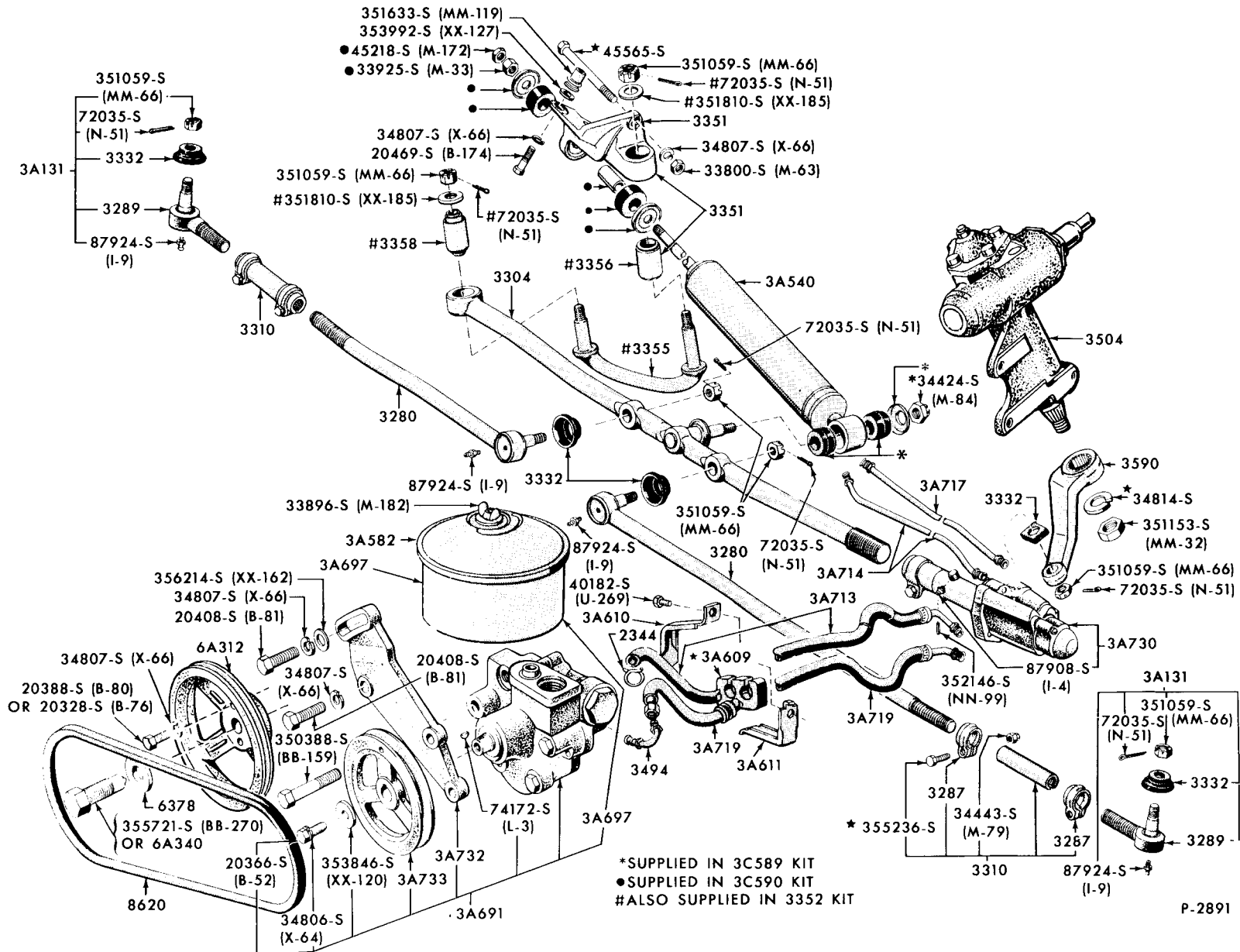


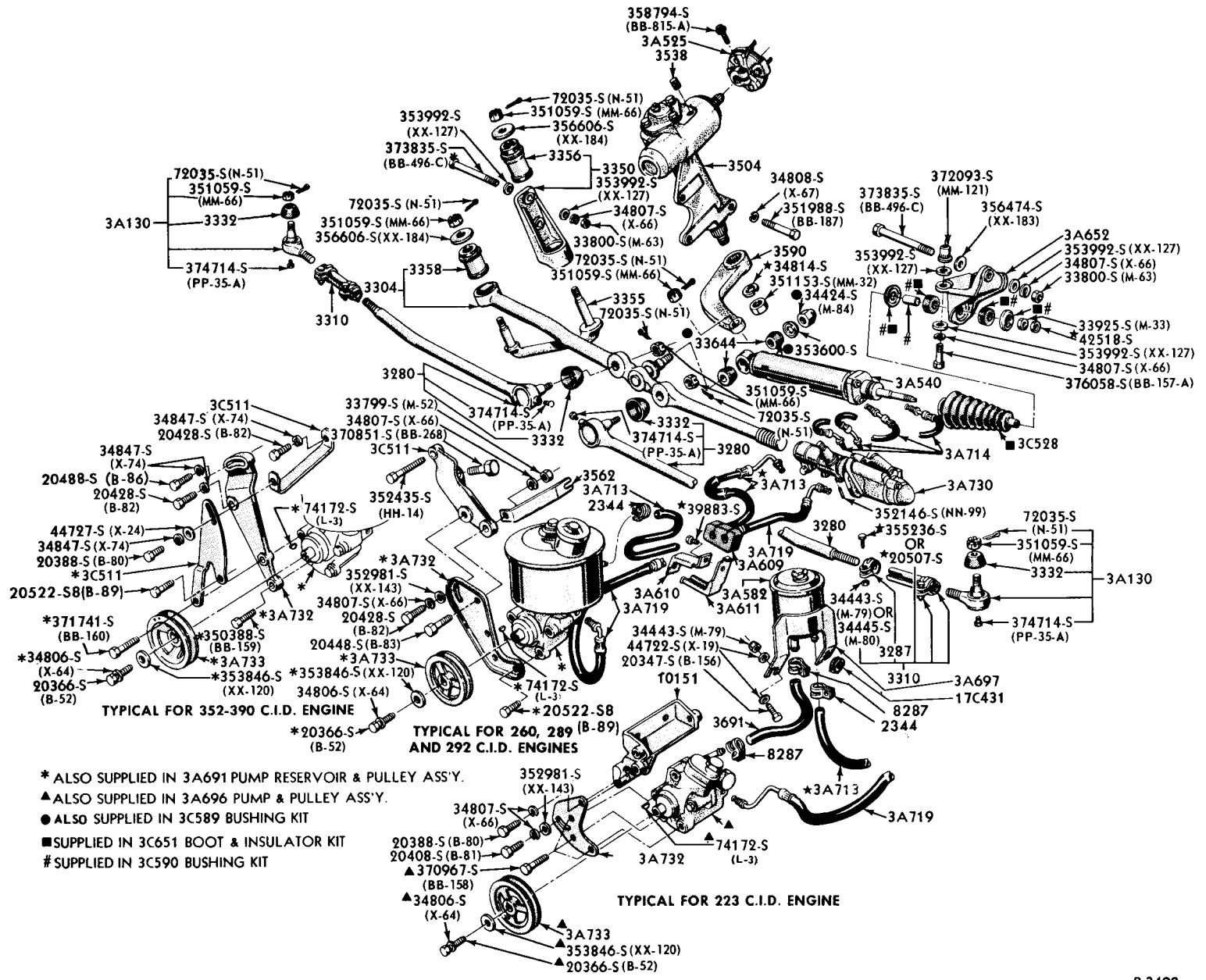
P.4400



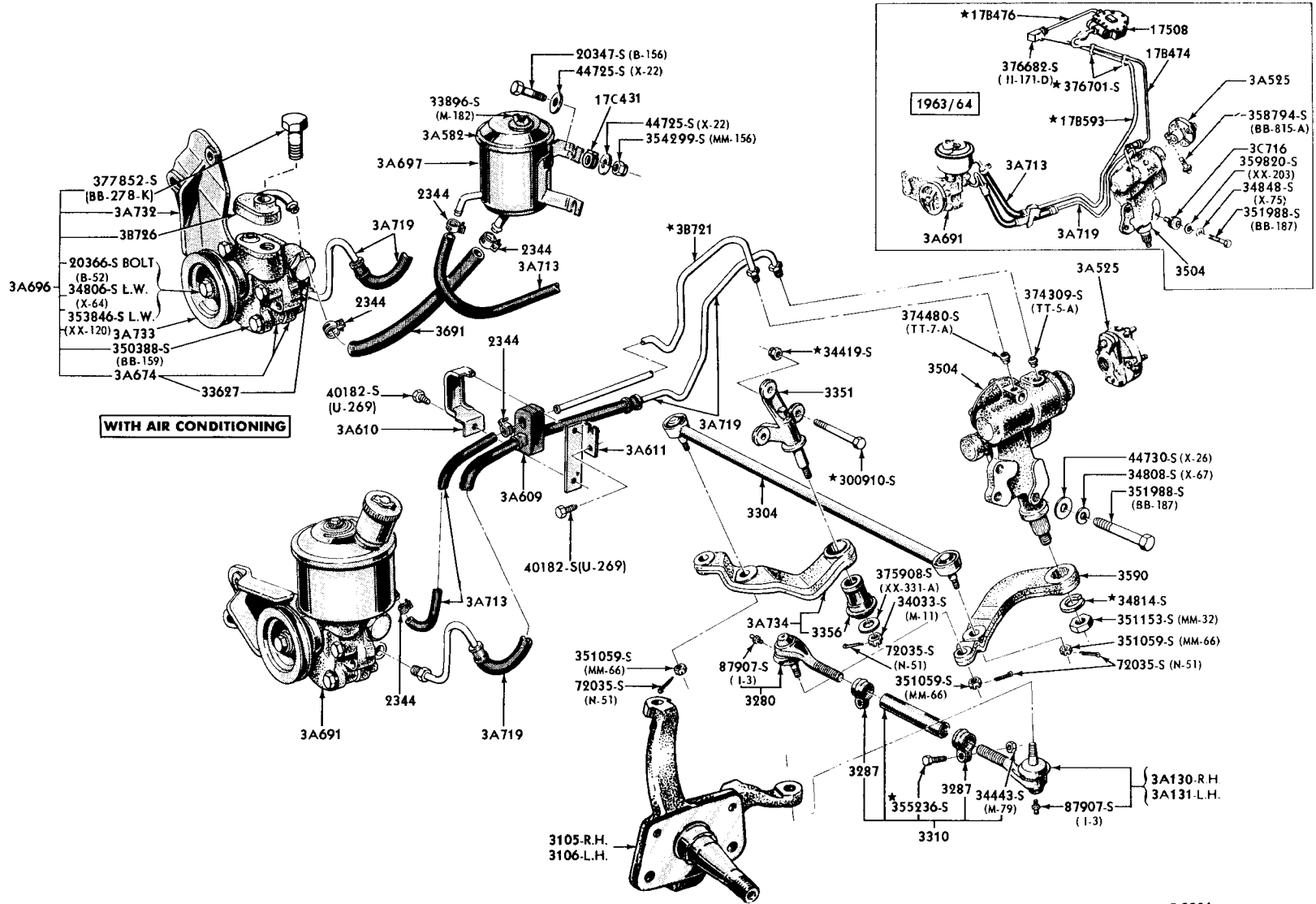
*ALSO SUPPLIED IN 3082 UPPER ARM, SHAFT & JOINT ASSEMBLY
 ● SUPPLIED IN 3468 LOWER ARM STRUT REPAIR KIT
 ▲ 1963/ REPLACED BY 374714.S (PP-35-A) PLUG

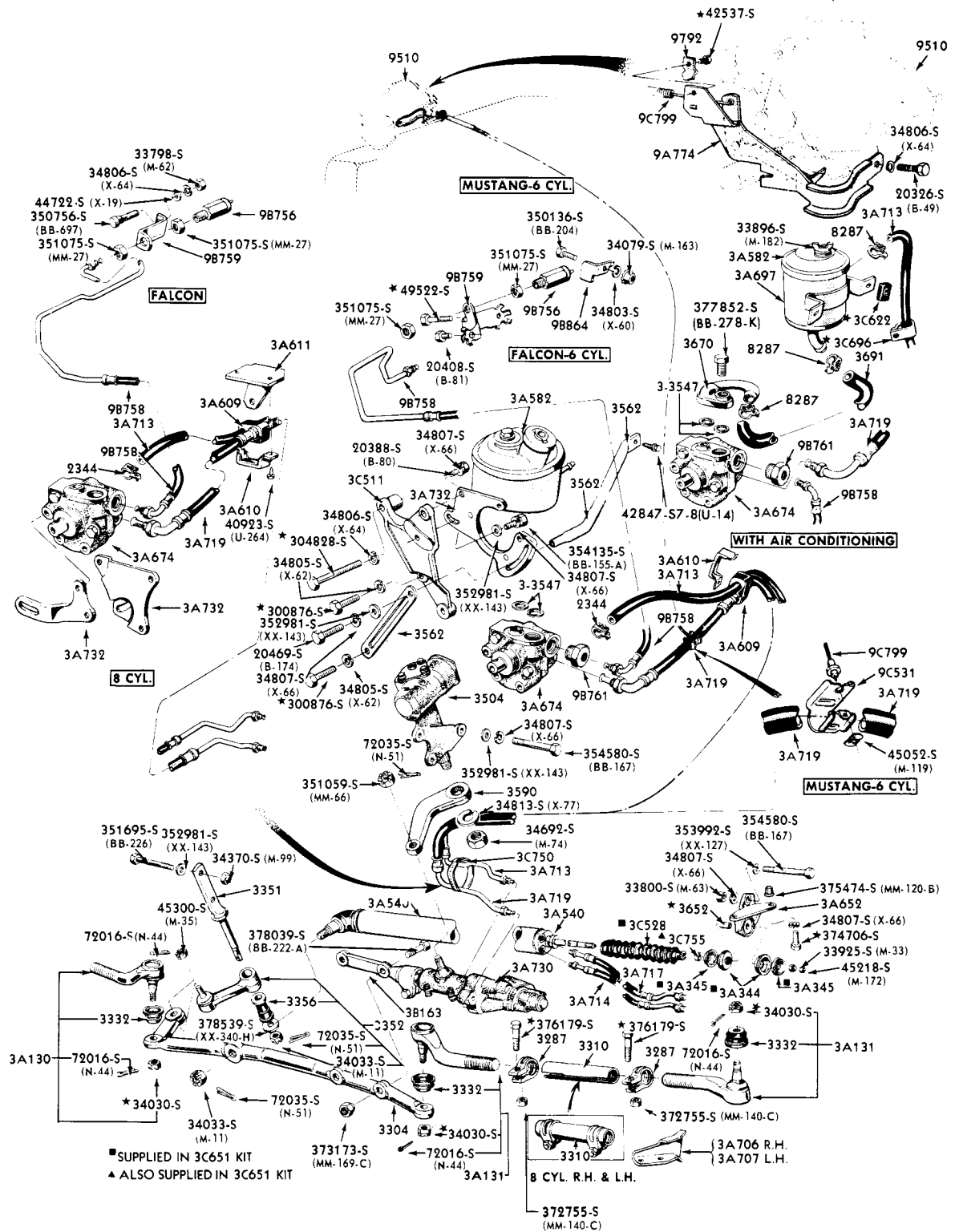


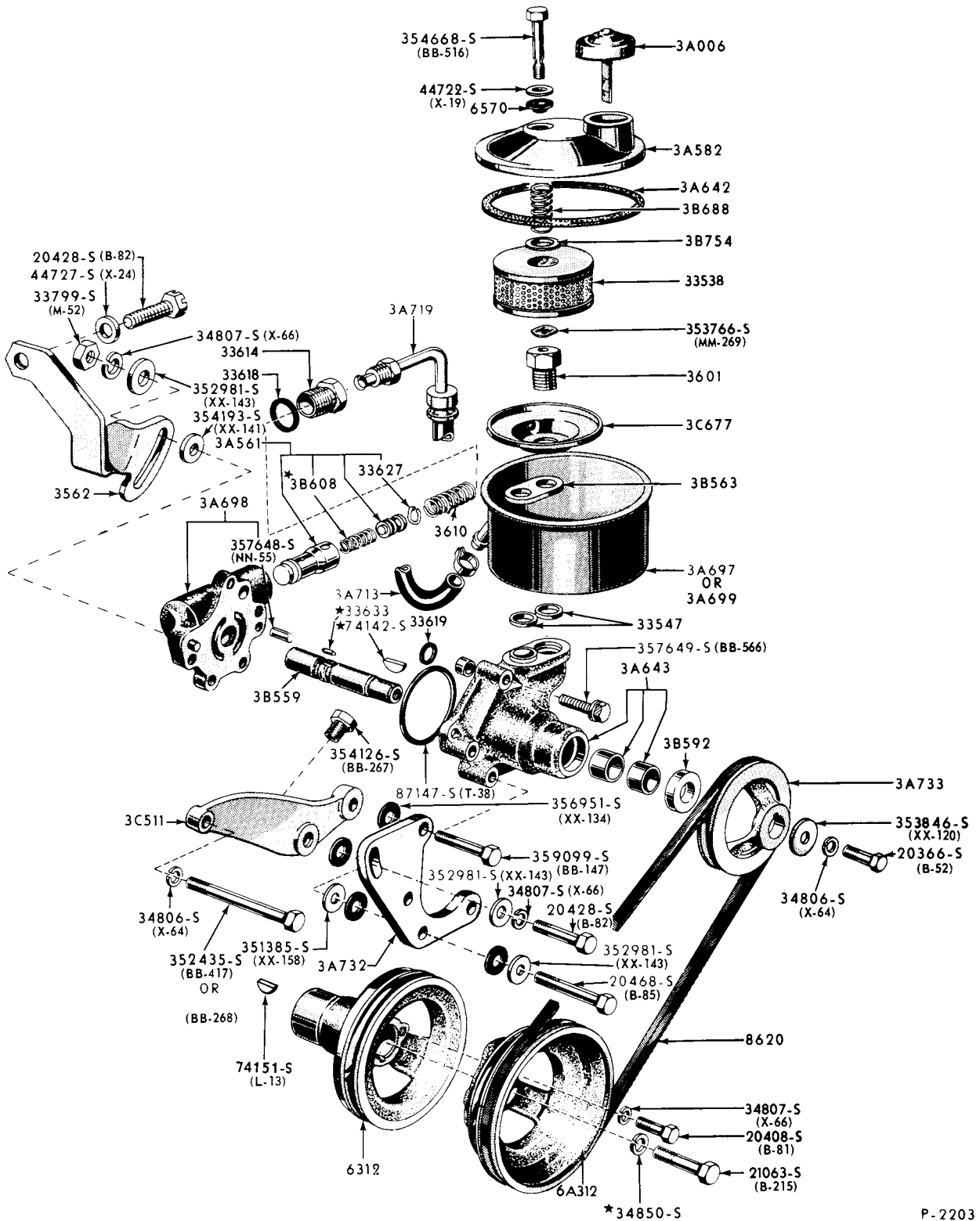


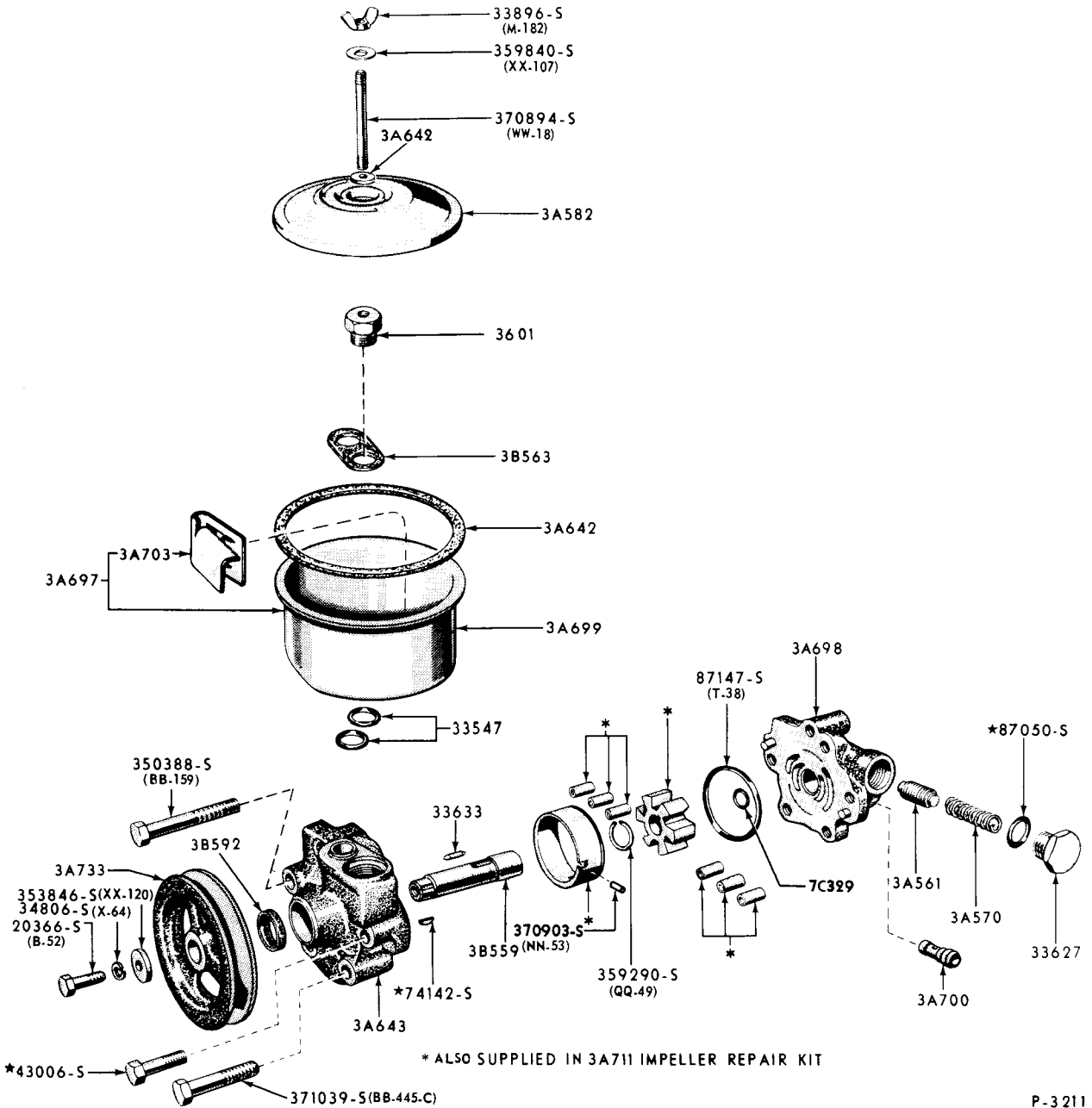


- * ALSO SUPPLIED IN 3A691 PUMP RESERVOIR & PULLEY ASS'Y.
- ▲ ALSO SUPPLIED IN 3A696 PUMP & PULLEY ASS'Y.
- ALSO SUPPLIED IN 3C589 BUSHING KIT
- SUPPLIED IN 3C651 BOOT & INSULATOR KIT
- # SUPPLIED IN 3C590 BUSHING KIT









P-3211

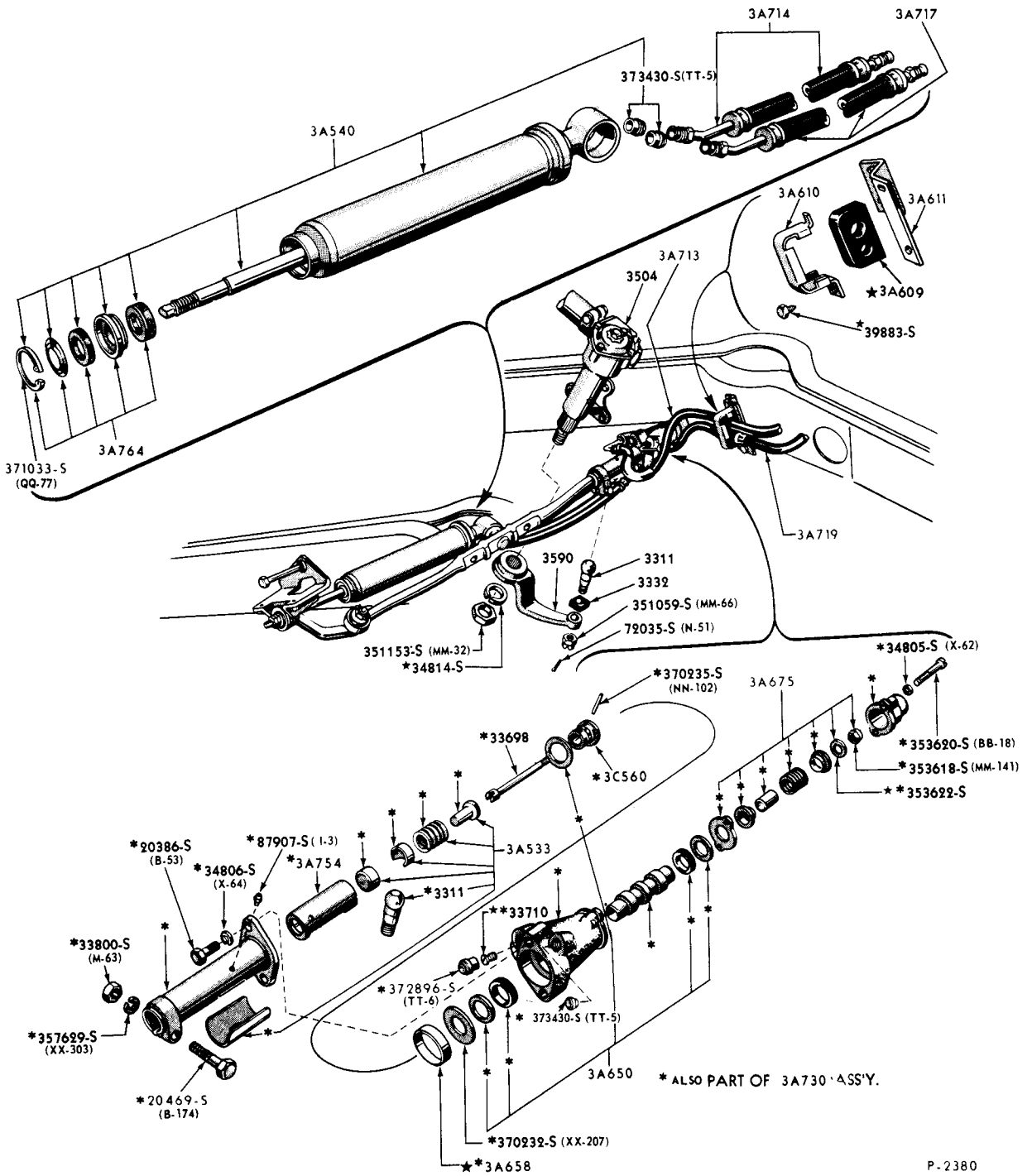
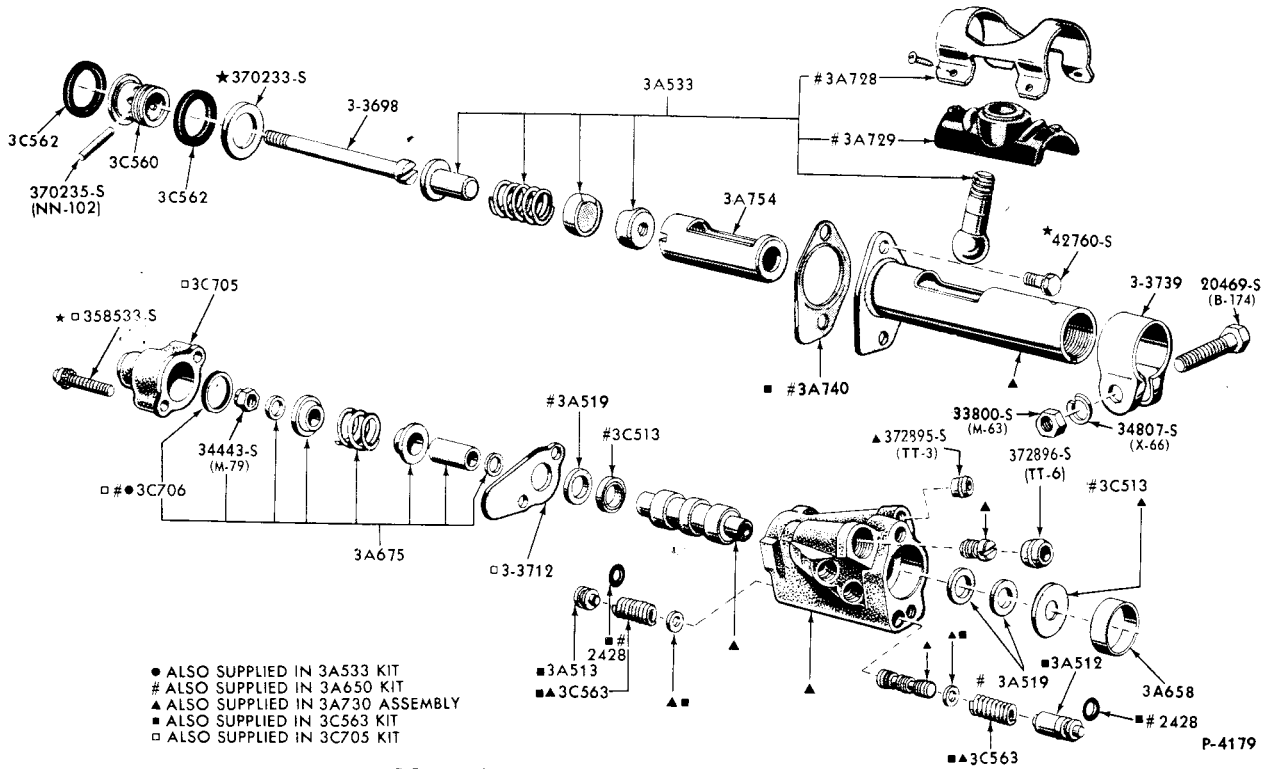
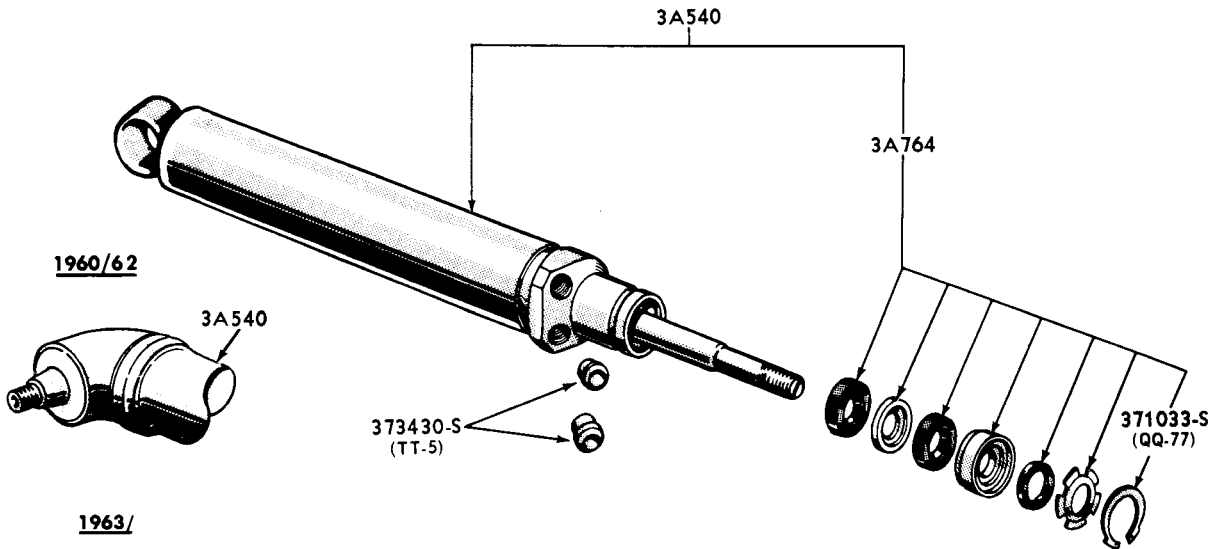


ILLUSTRATION SECTION 35



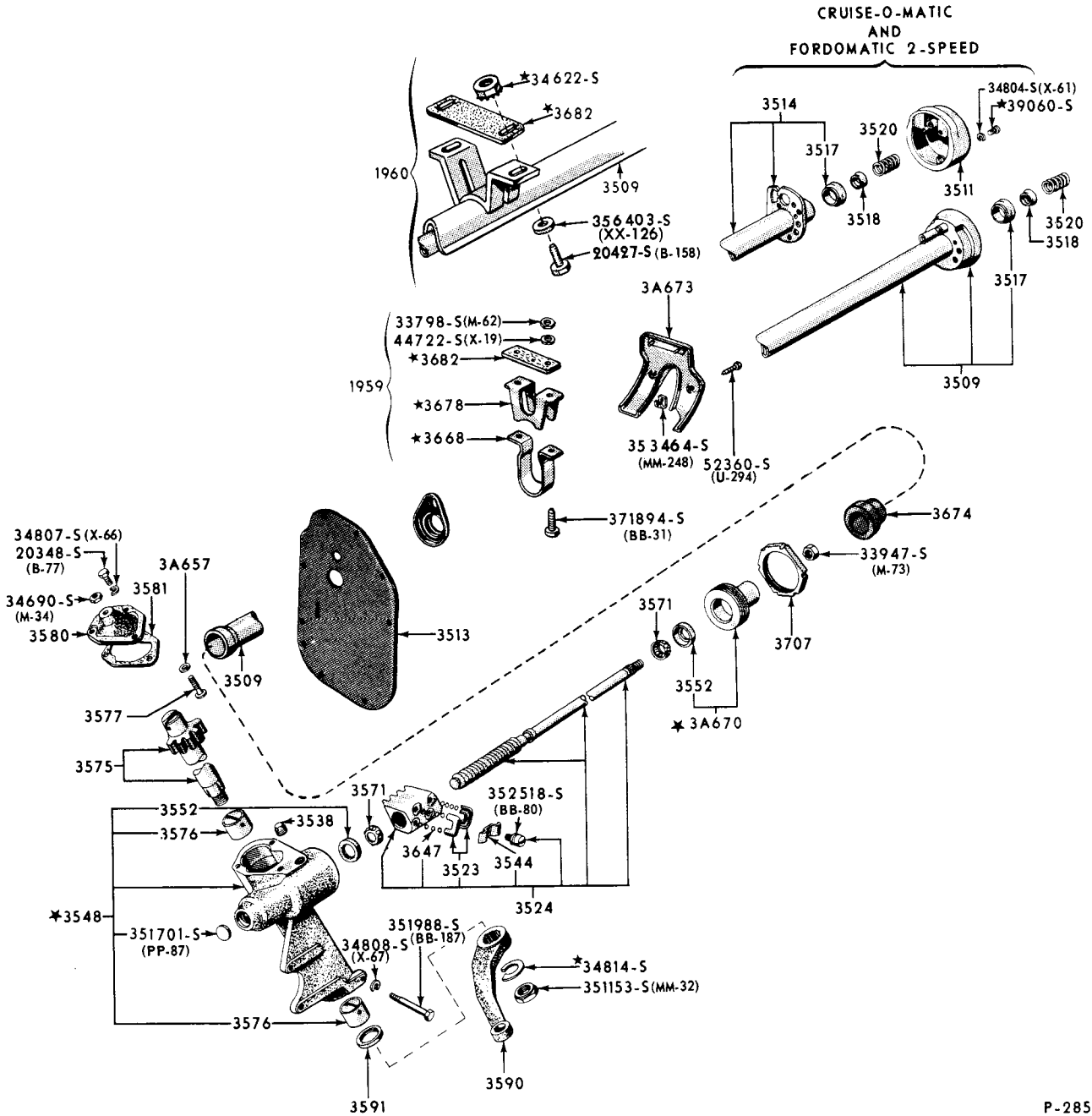
POWER STEERING CONTROL VALVE - TYPICAL

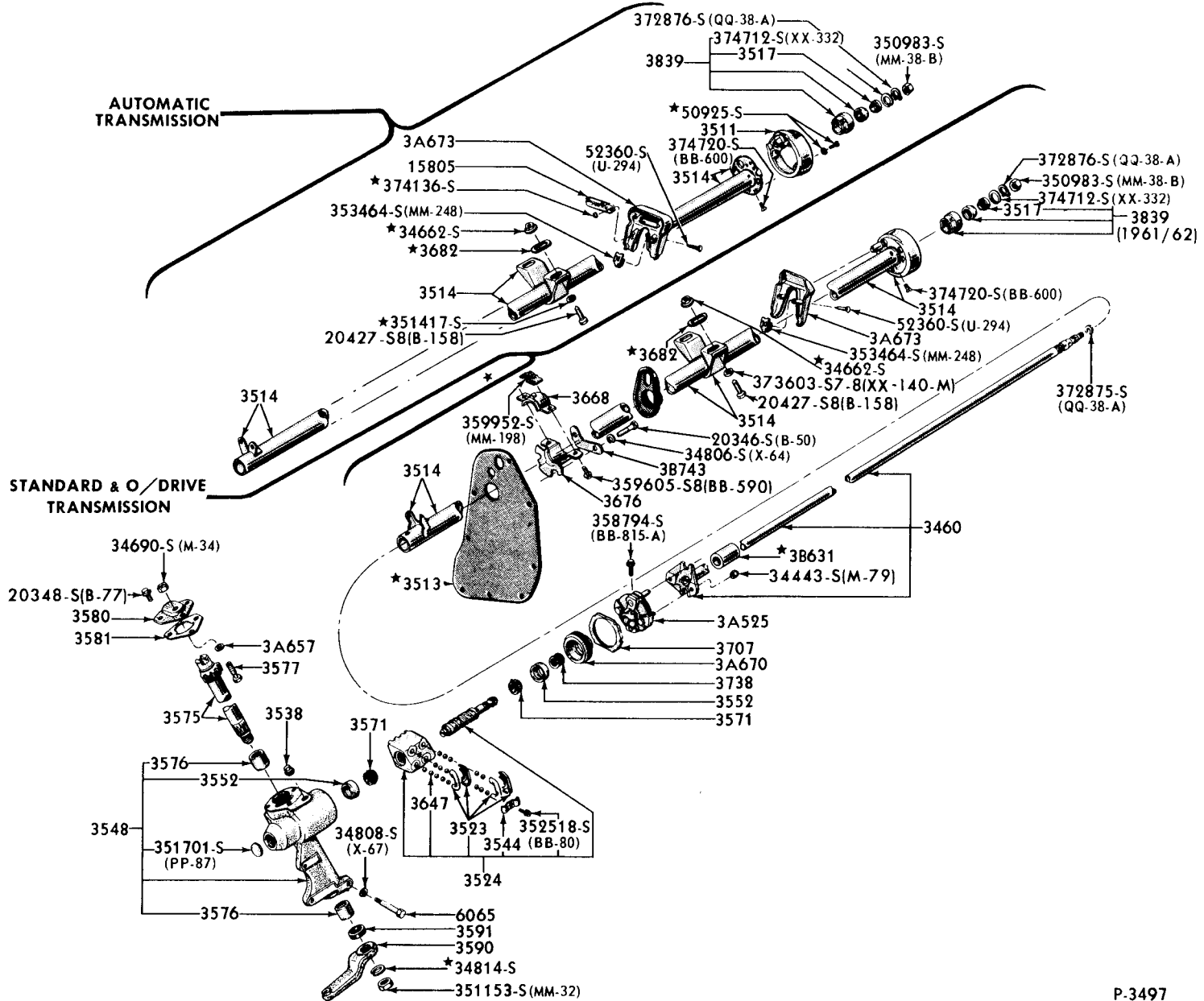
1961/64 FORD 1962/ FAIRLANE 1963/ FALCON

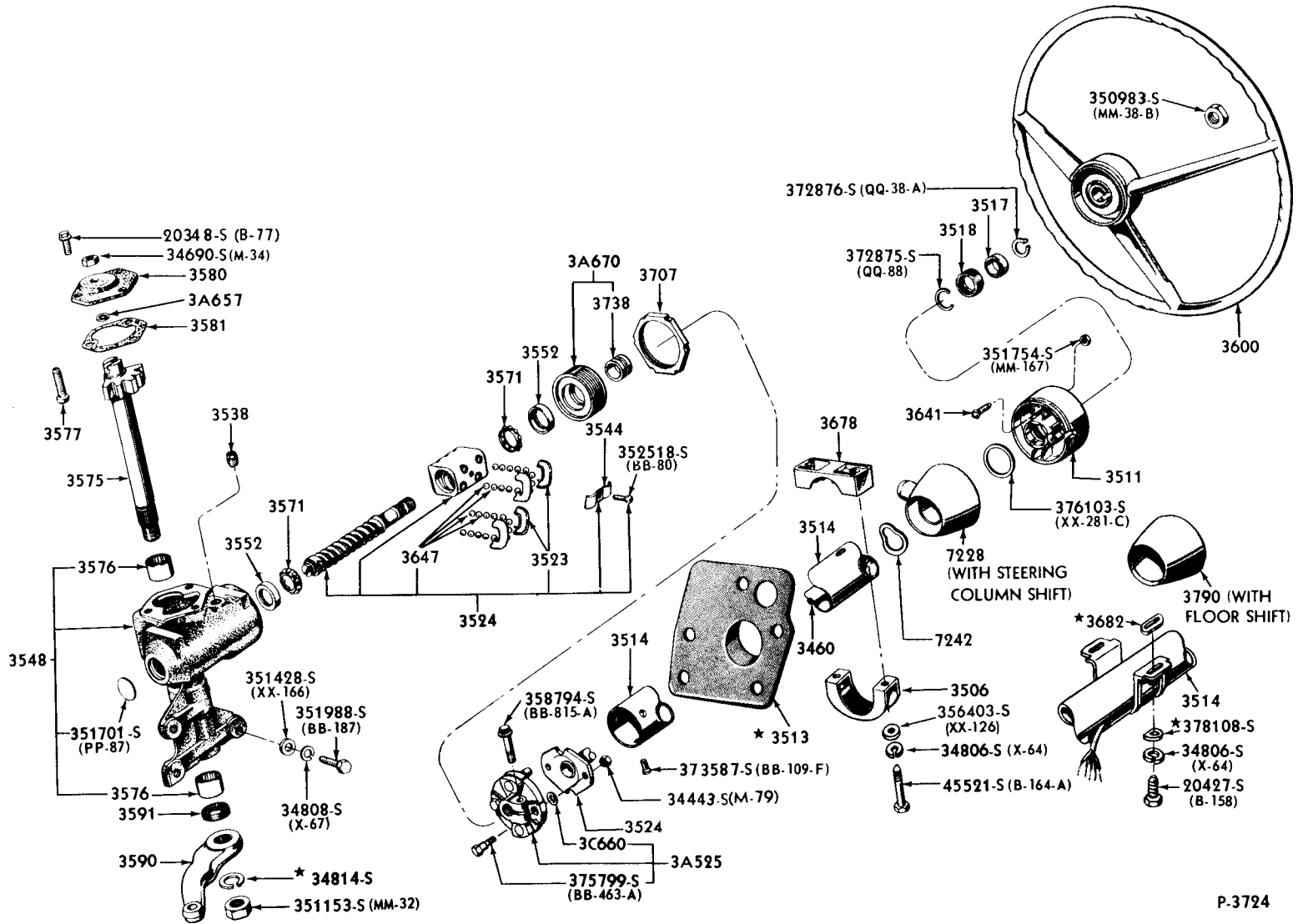


POWER STEERING CYLINDER and RELATED PARTS - TYPICAL

1961/64 FORD 1962/ FAIRLANE 1963/ FALCON

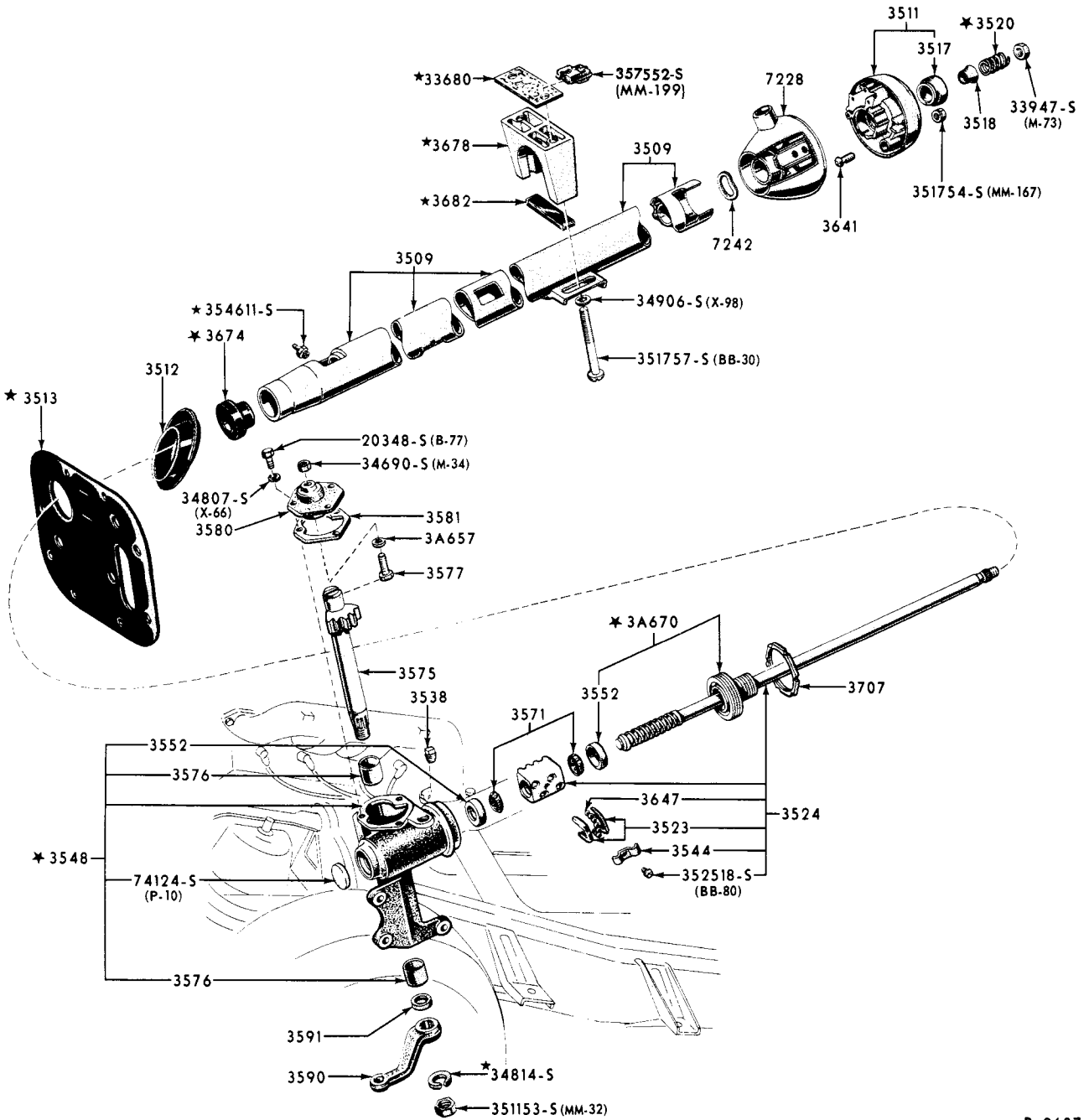






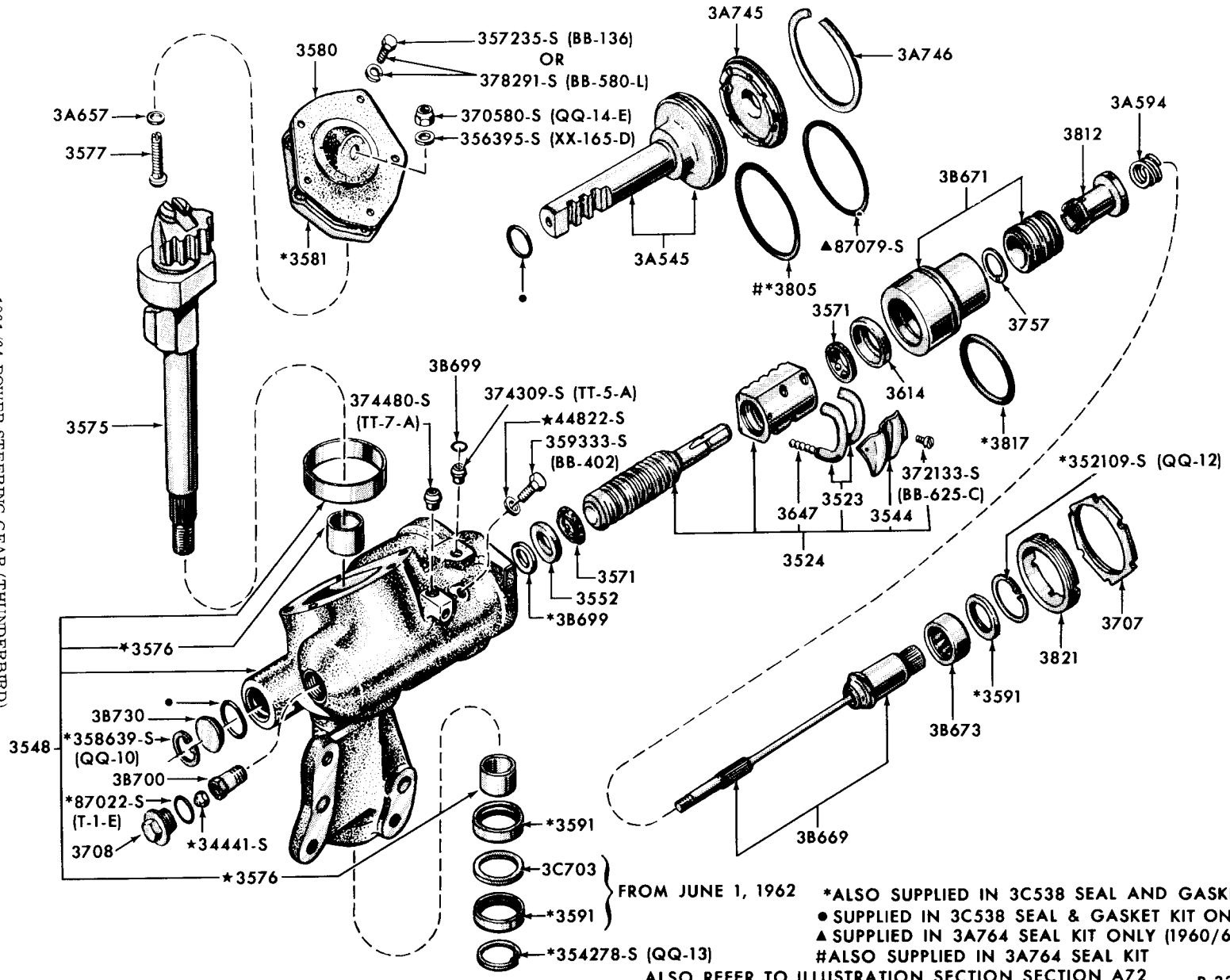
P-3724

1962 / 1962 / MANUAL STEERING GEAR (FAIRLANE)
STEERING COLUMN FOR FLOOR SHIFT (FAIRLANE)



P-2687

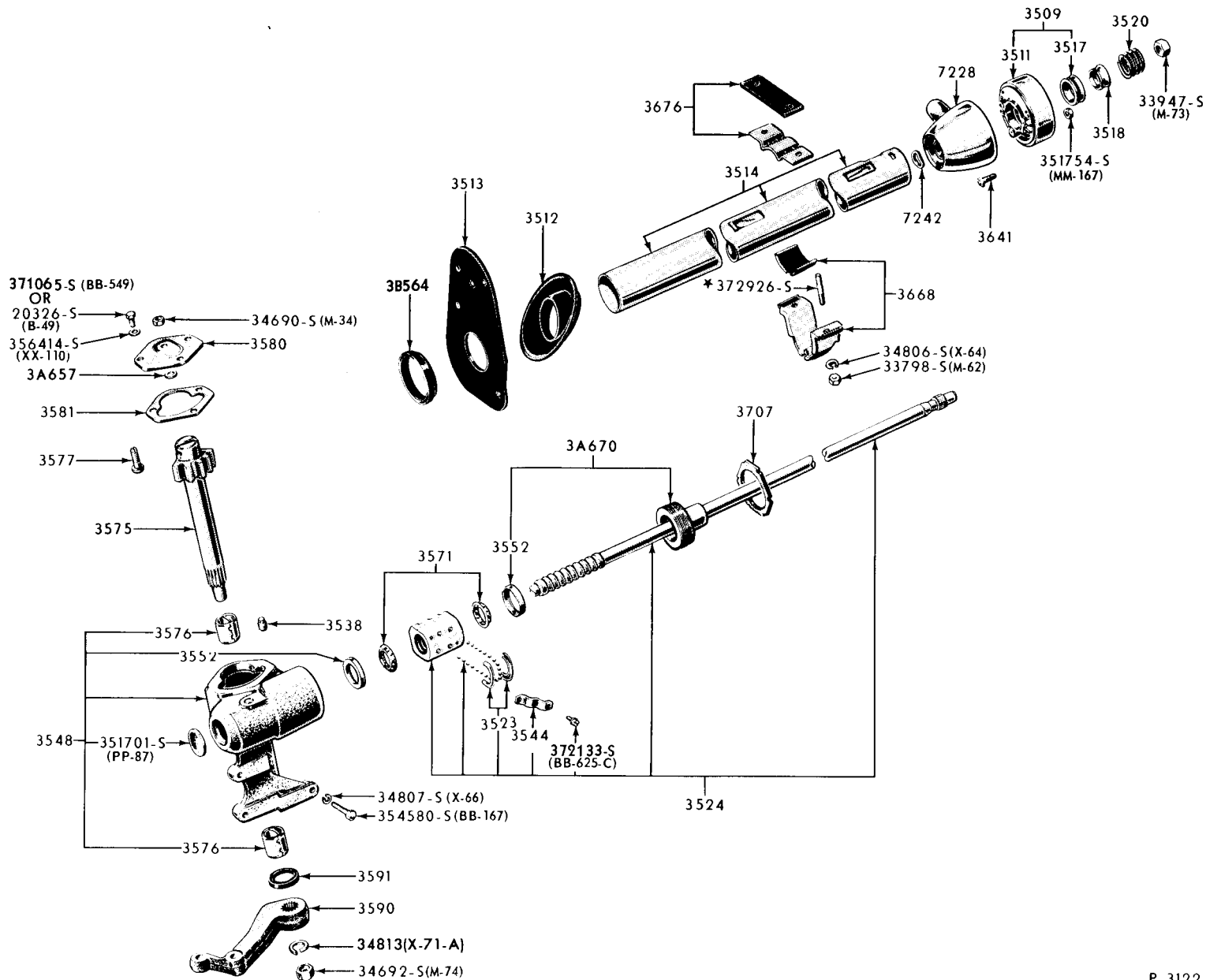
1961/64 POWER STEERING GEAR (THUNDERBIRD)

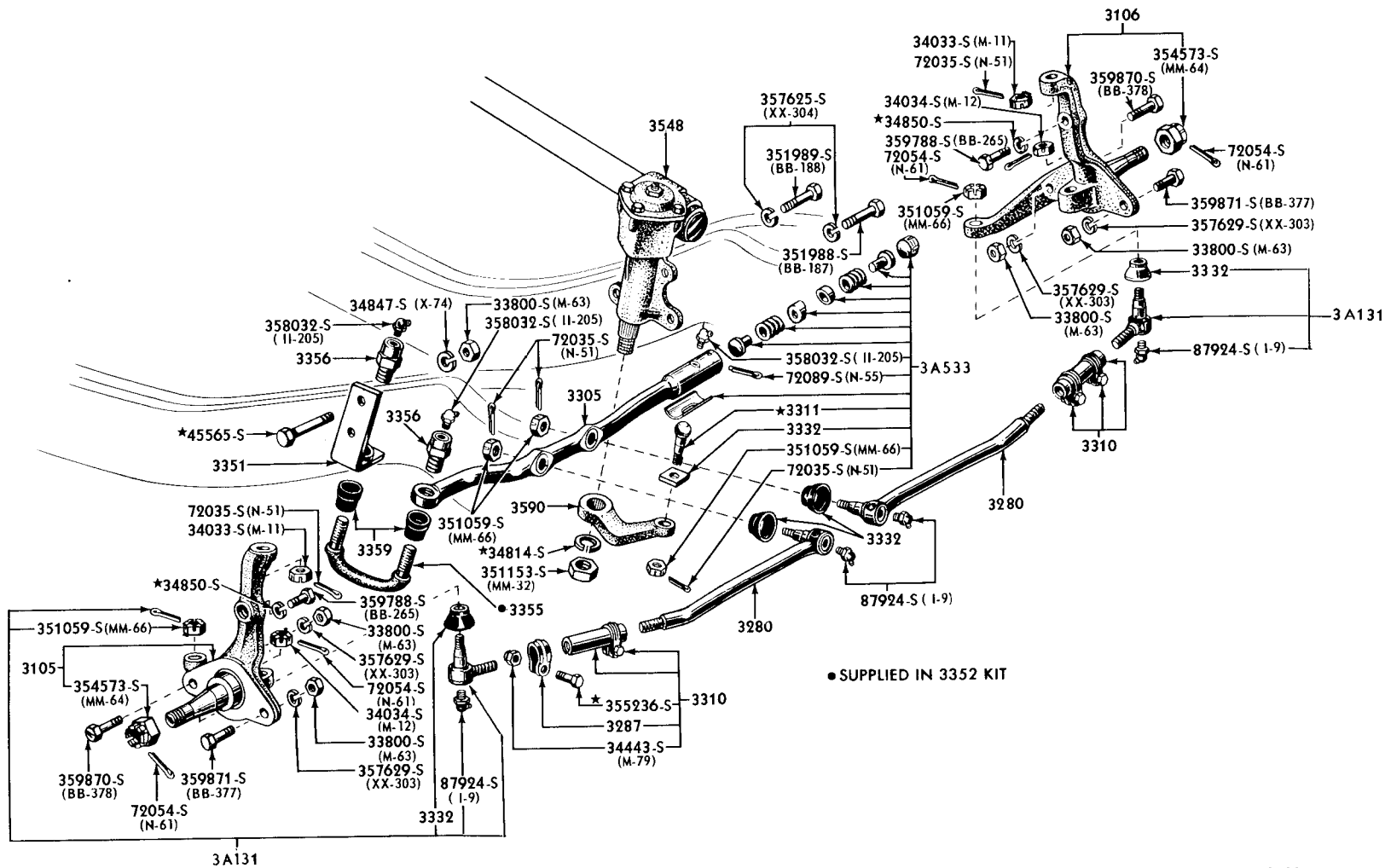


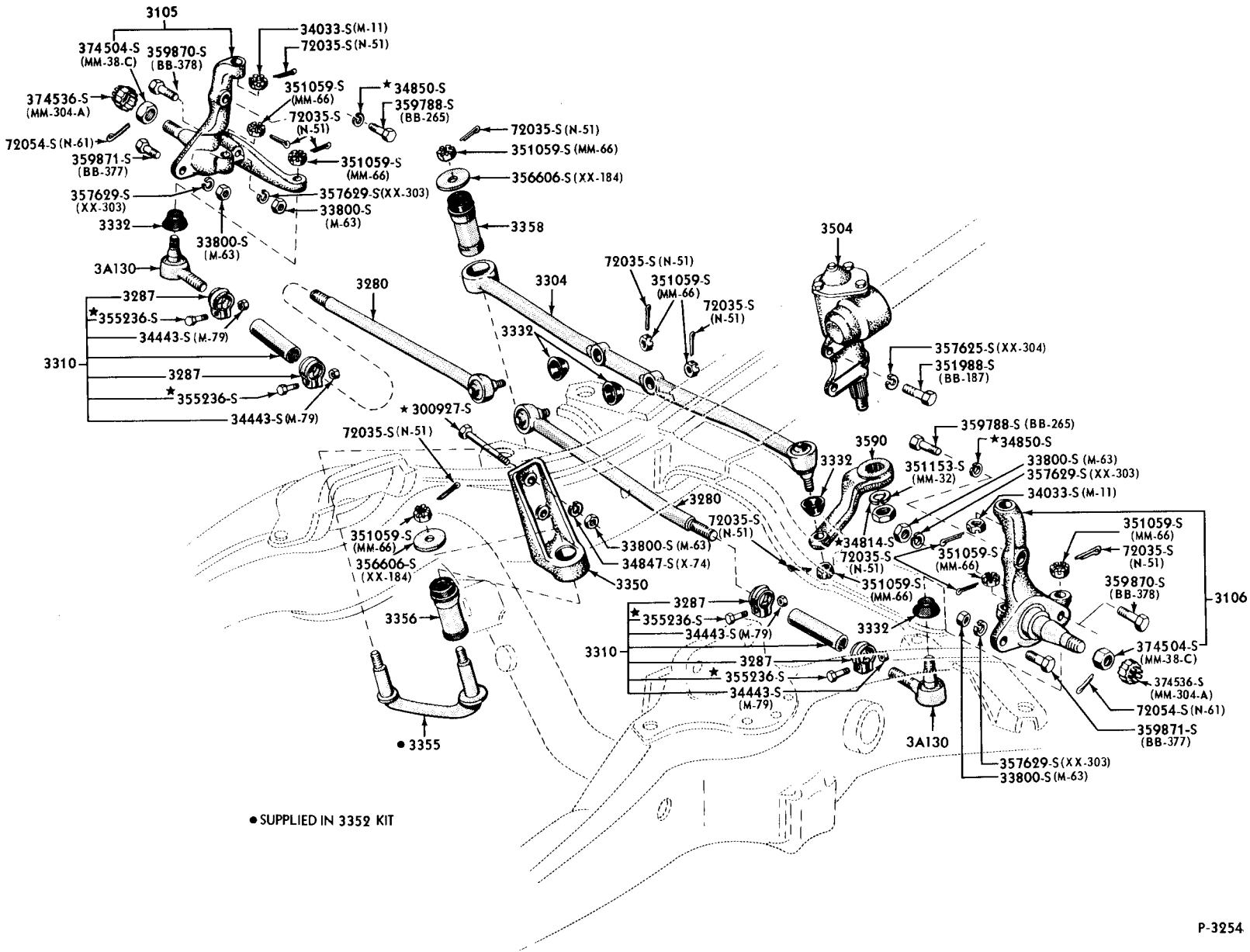
FROM JUNE 1, 1962

- *ALSO SUPPLIED IN 3C538 SEAL AND GASKET KIT
- SUPPLIED IN 3C538 SEAL & GASKET KIT ONLY
- ▲ SUPPLIED IN 3A764 SEAL KIT ONLY (1960/61)
- #ALSO SUPPLIED IN 3A764 SEAL KIT

ALSO REFER TO ILLUSTRATION SECTION SECTION A72

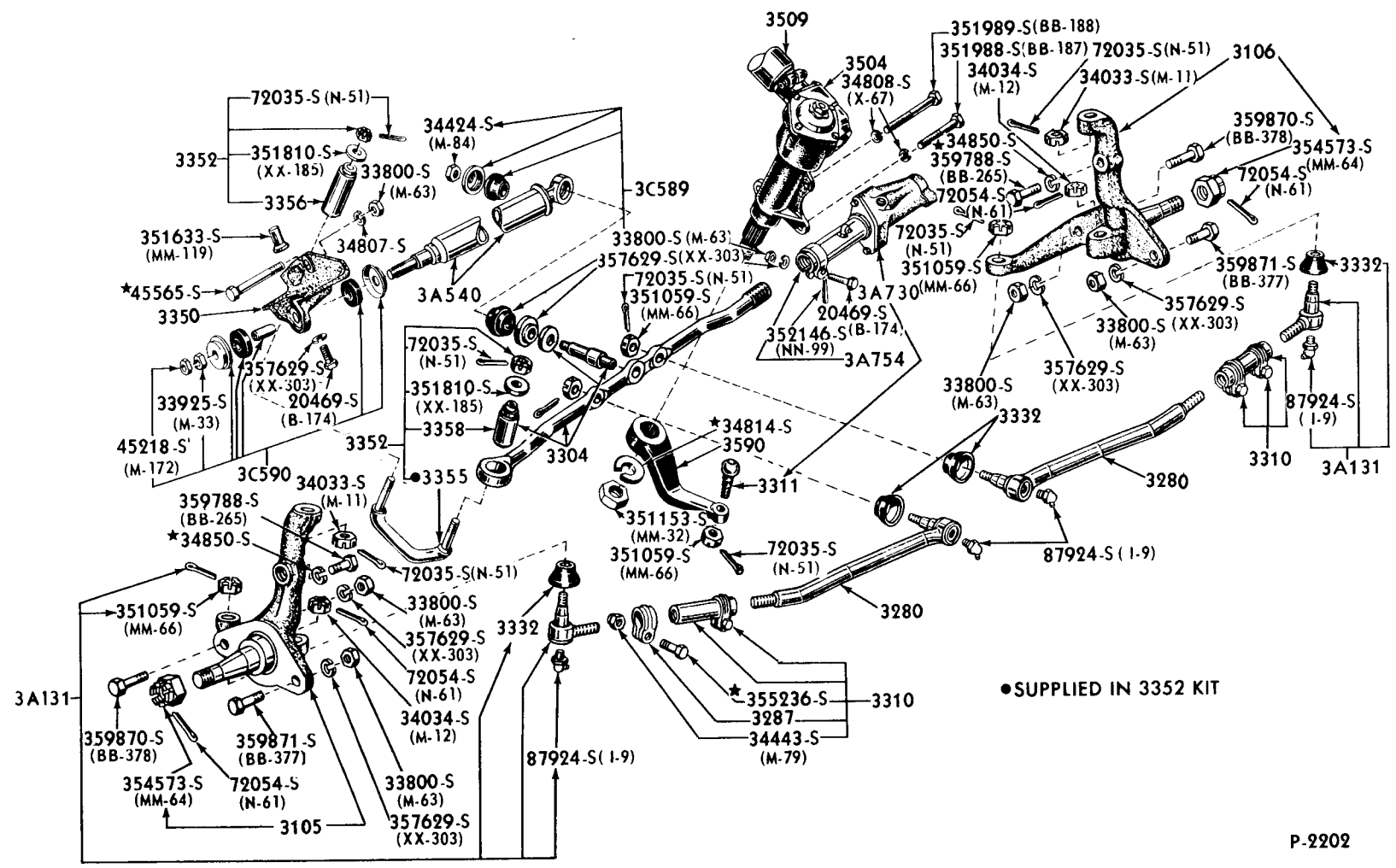




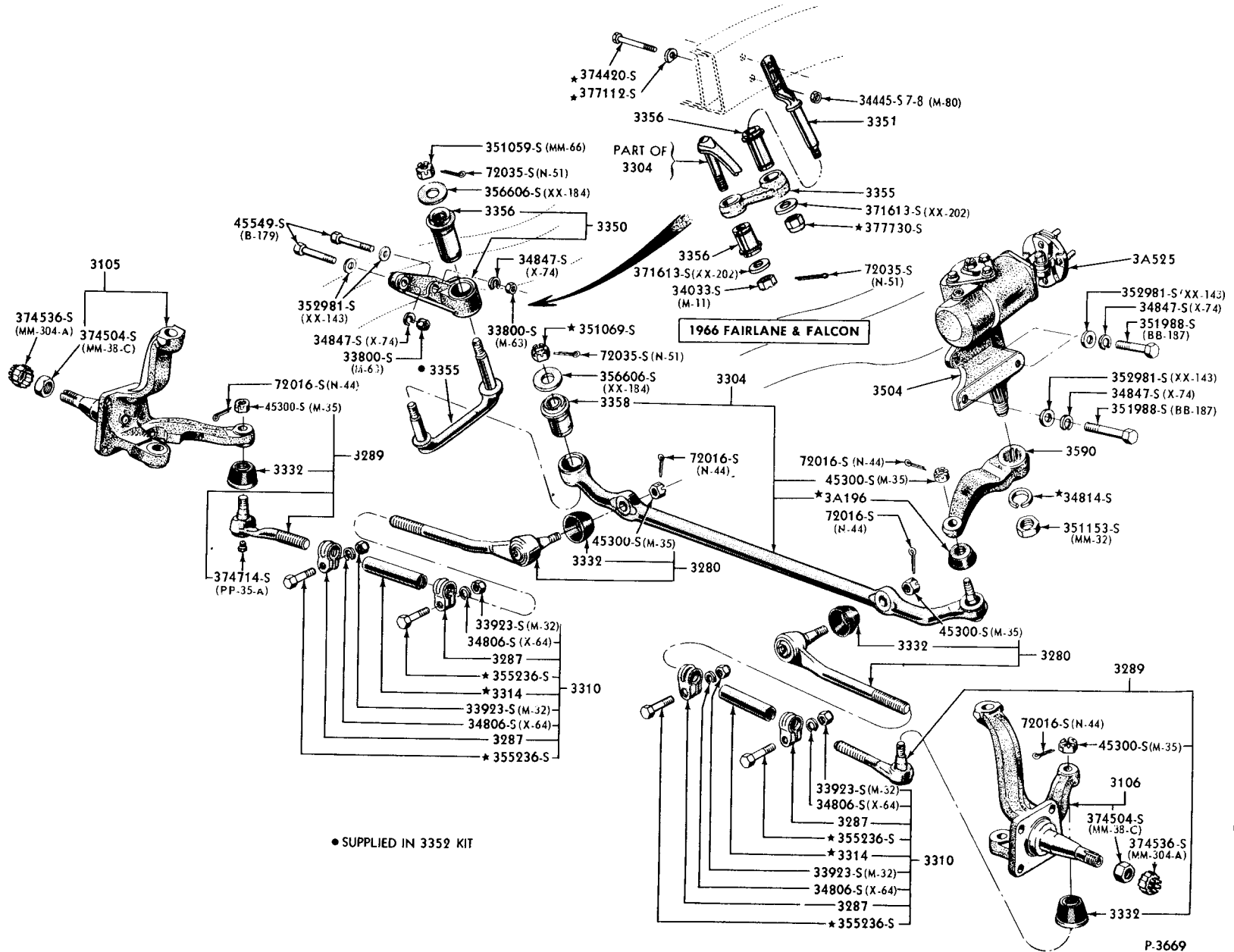


● SUPPLIED IN 3352 KIT

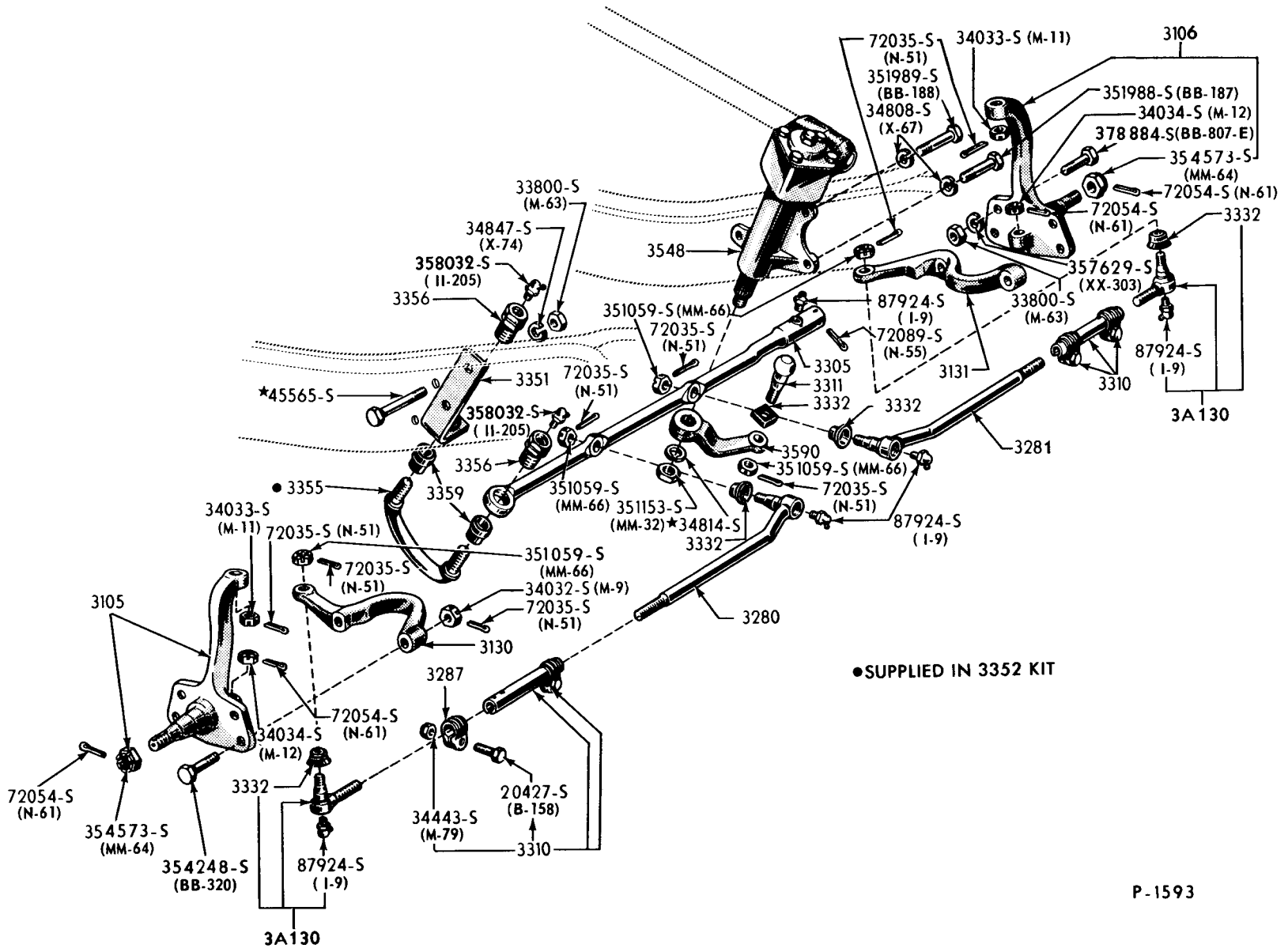
1960 POWER STEERING LINKAGE (FORD)

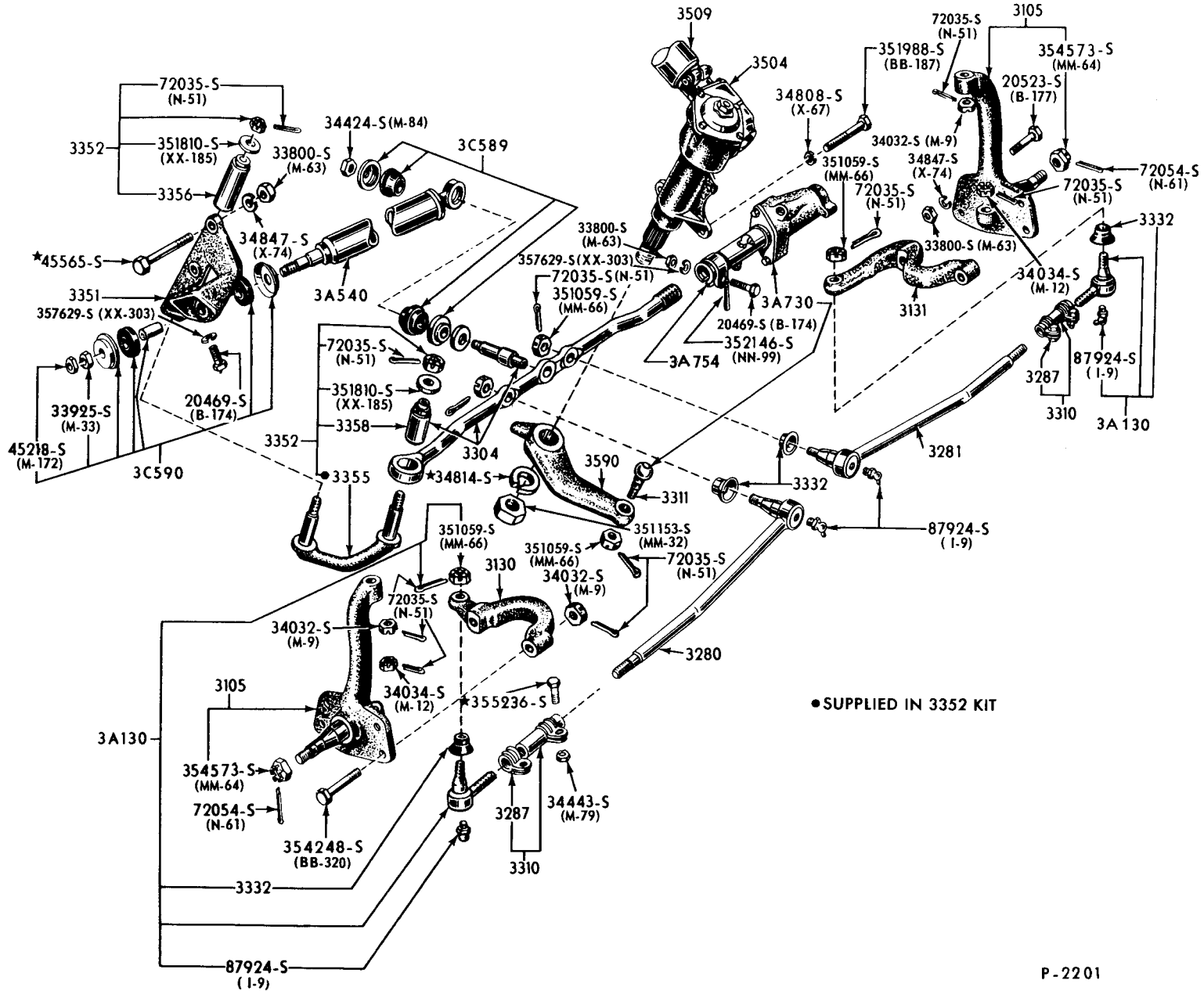


P-2202



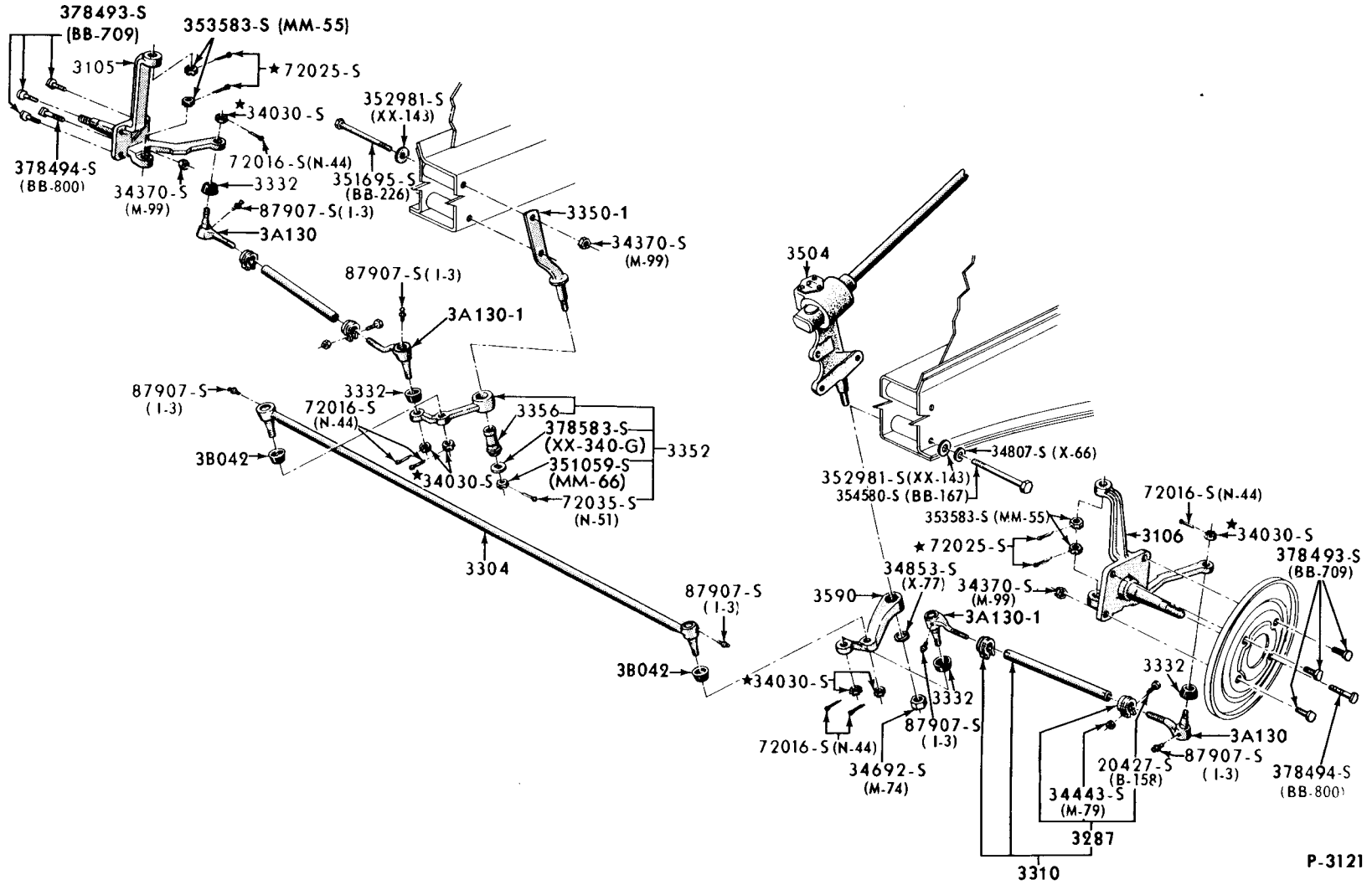
1960 MANUAL STEERING LINKAGE (THUNDERBIRD)



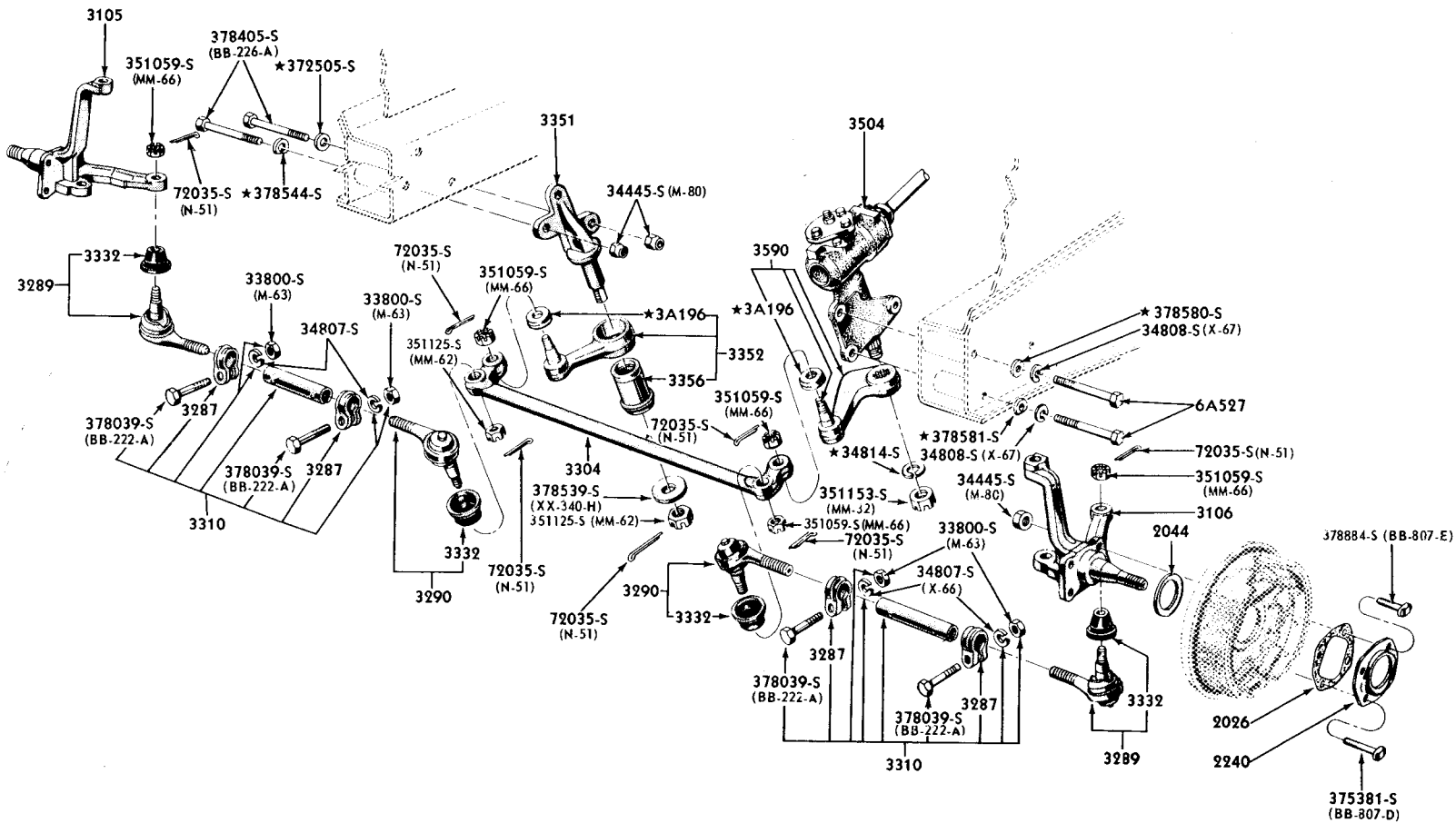


• SUPPLIED IN 3352 KIT

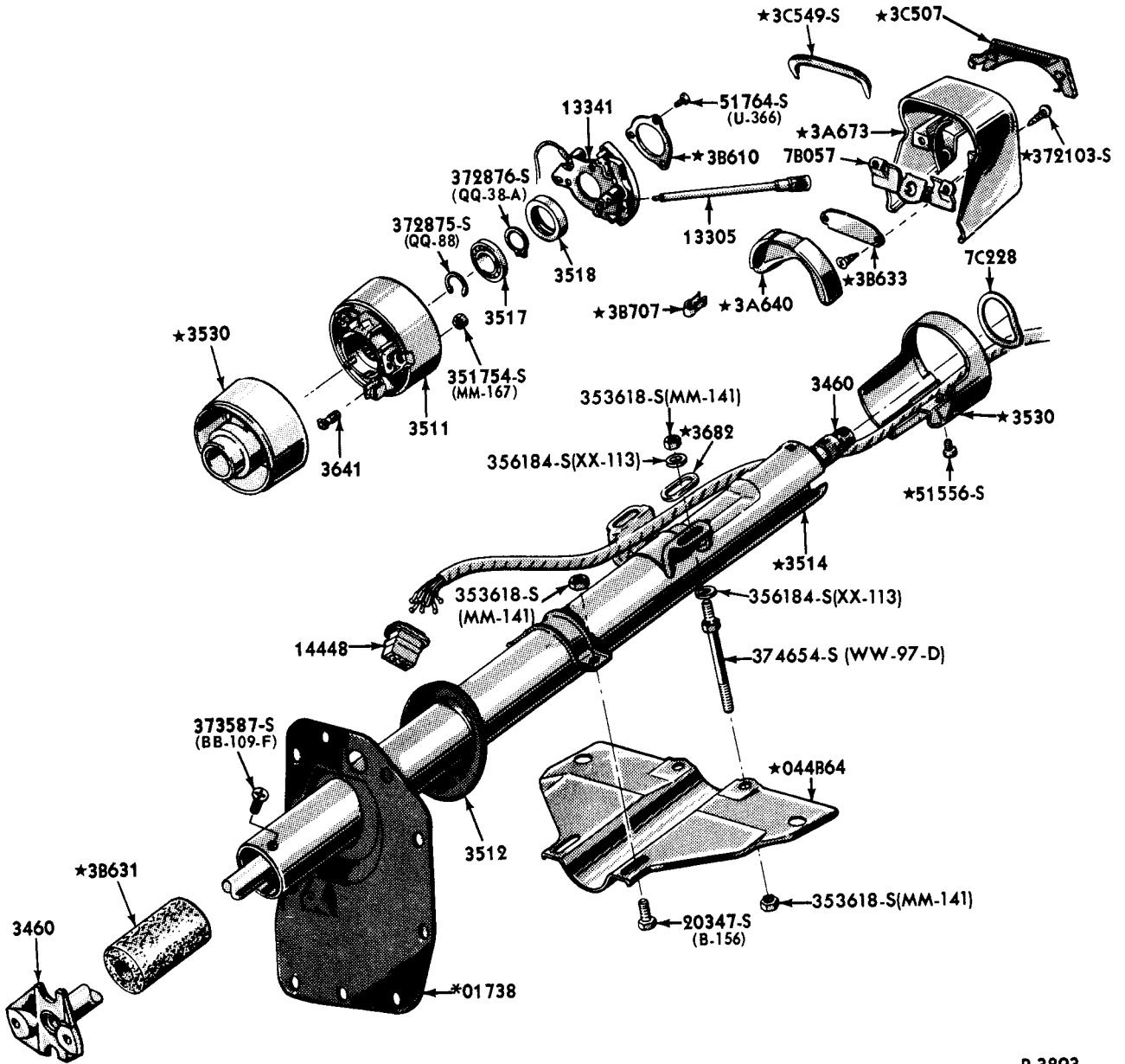
1960 / MANUAL STEERING LINKAGE (FALCON-6 CYLINDER)



P-3121

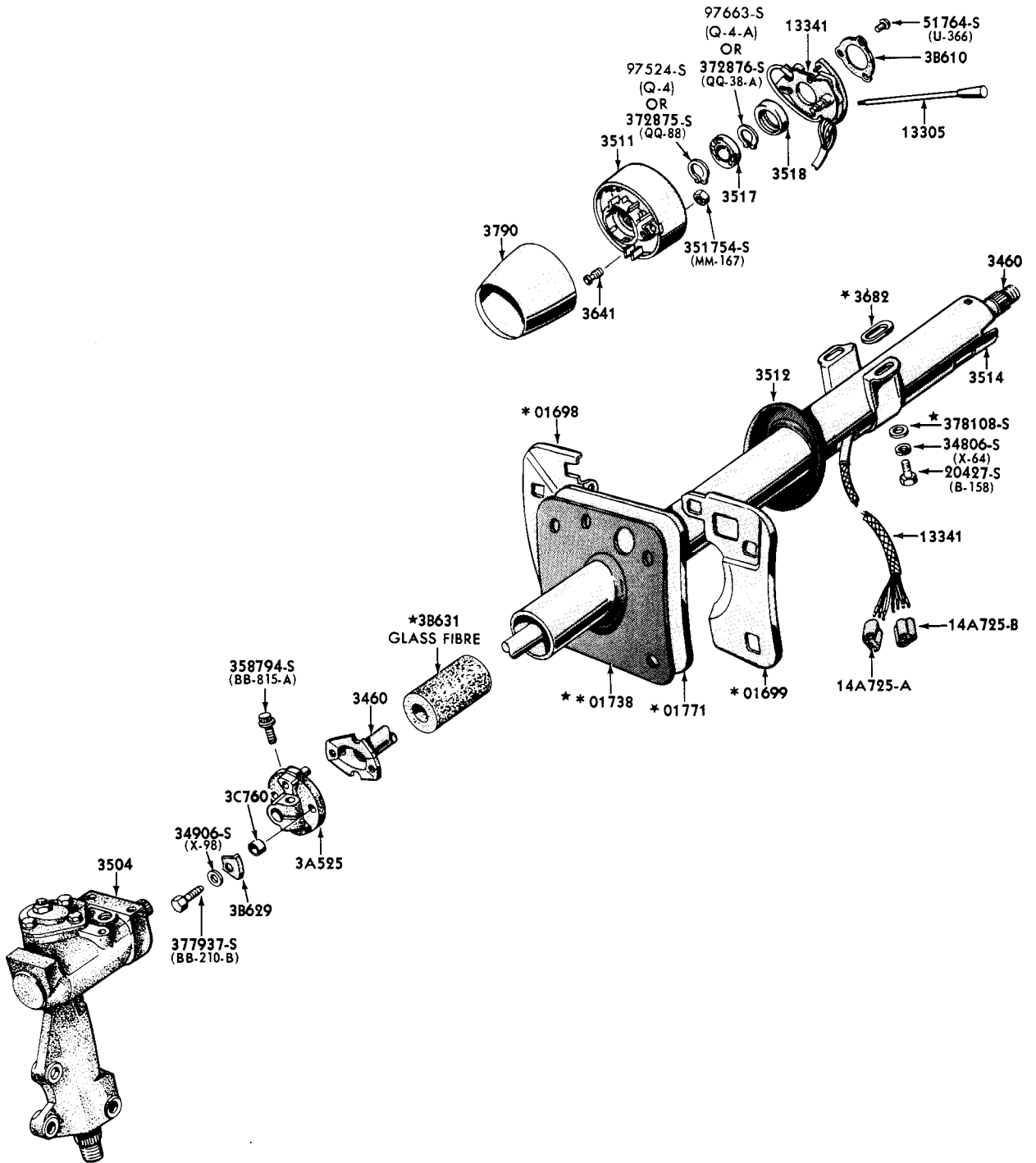


P-4258



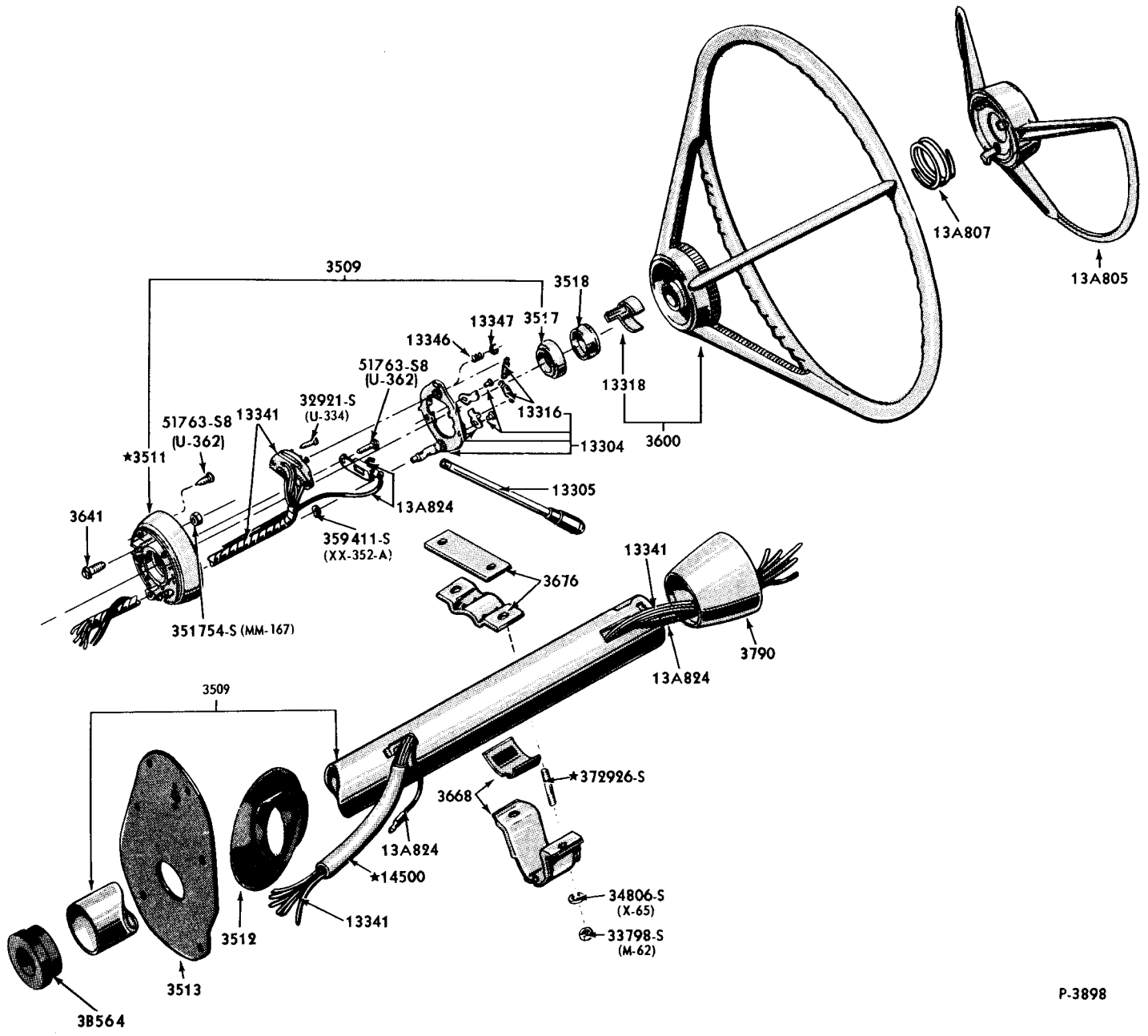
*REFER TO BODY GROUP NUMBER

P-3893

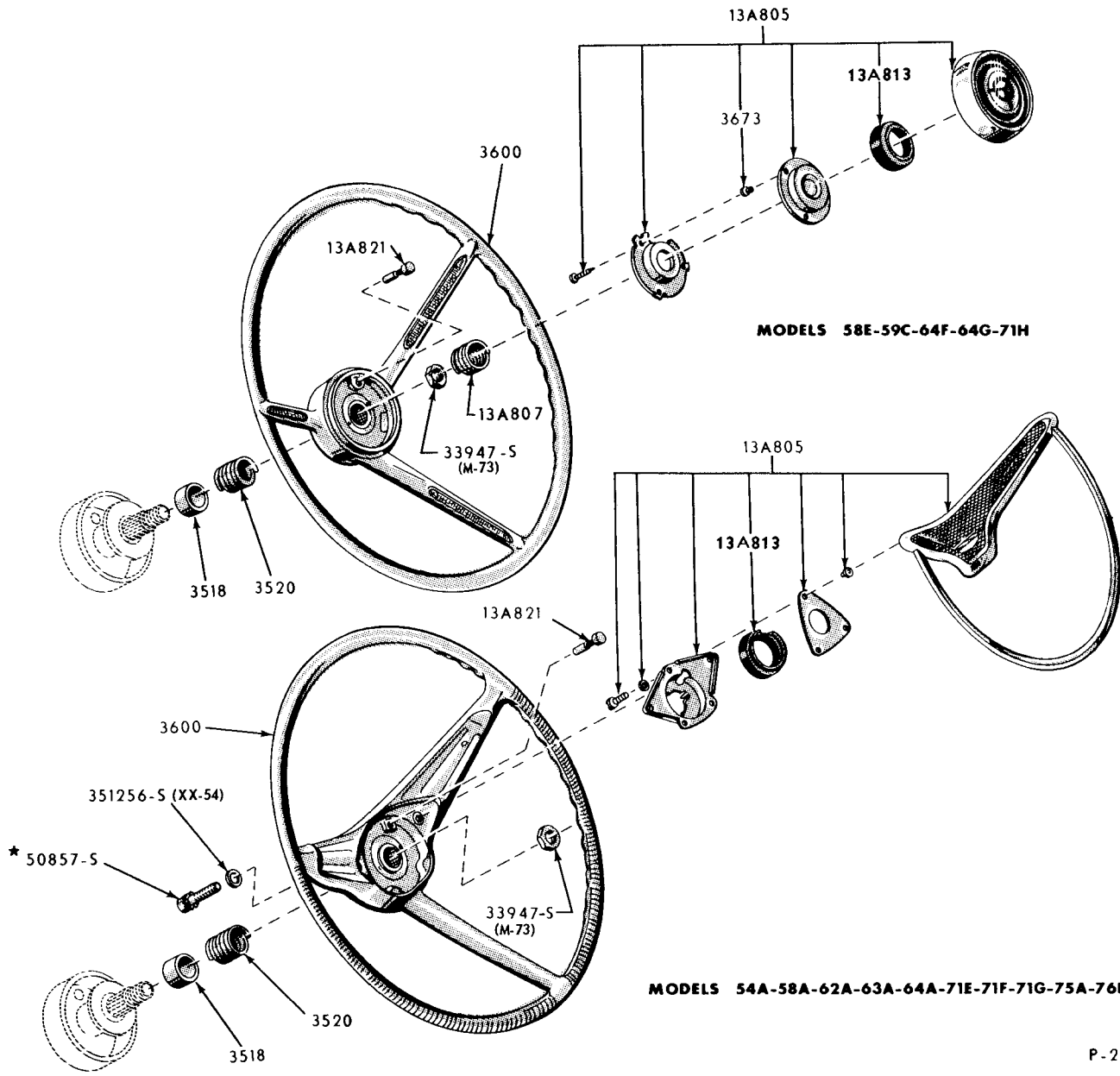


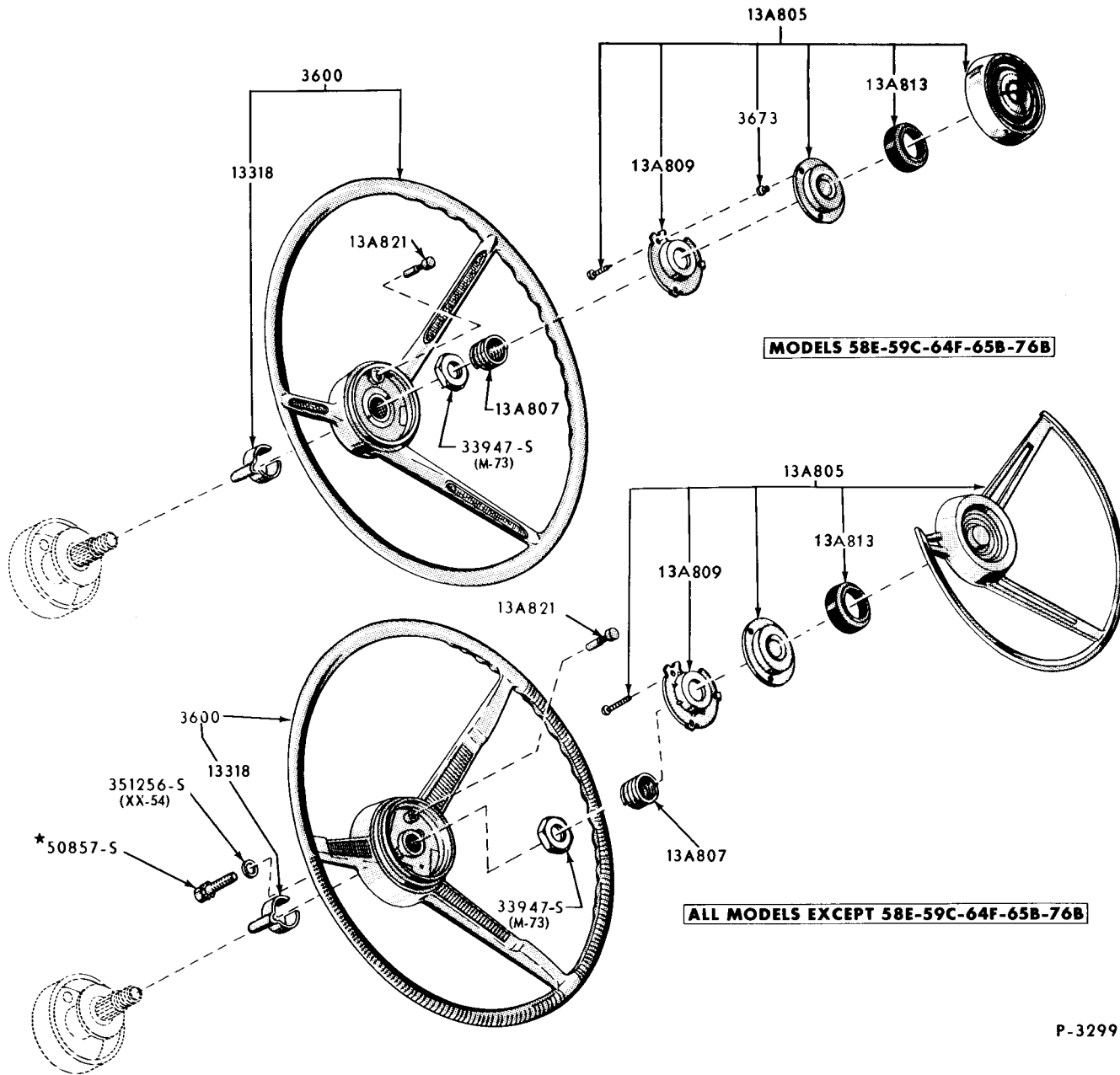
*REFER TO BODY GROUP NUMBER

P-4237

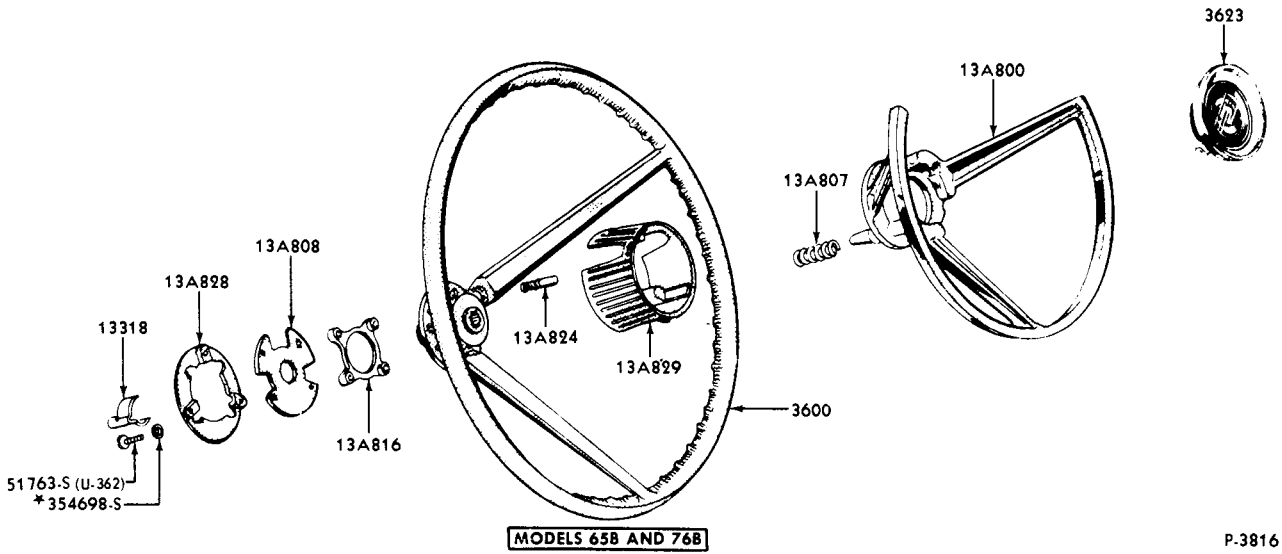


STEERING COLUMN FOR FLOOR SHIFT
1962/64 FALCON



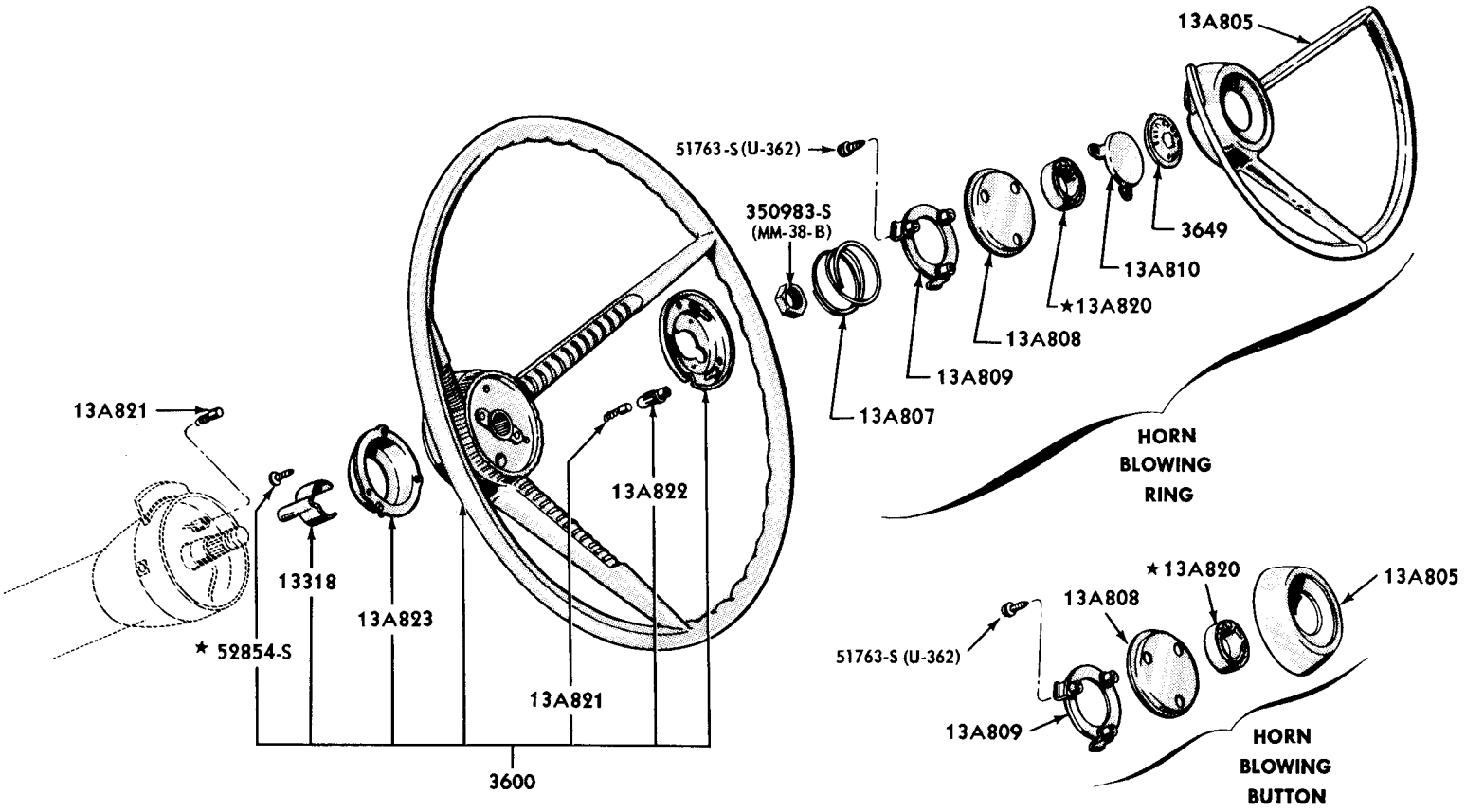


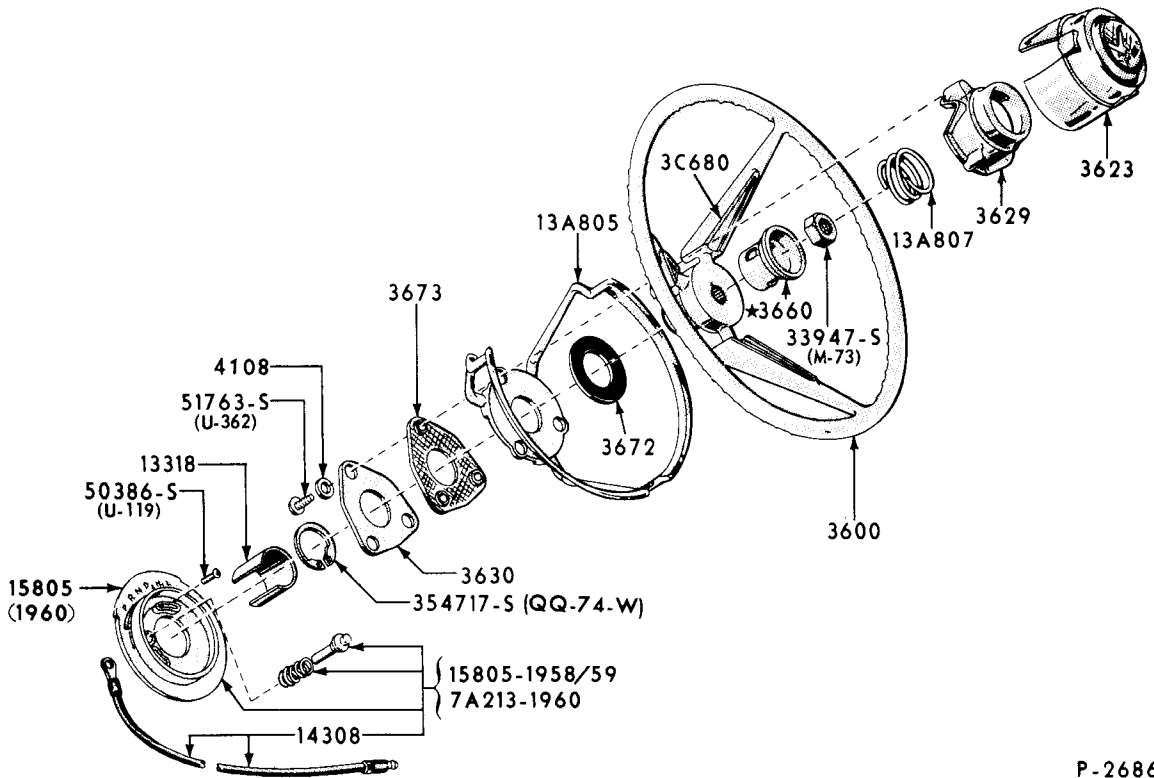
1961/64 STEERING WHEEL & HORN RING (FORD)-TYPICAL



1962/64 STEERING WHEEL & HORN RING (FORD-GALAXIE 500-XL)

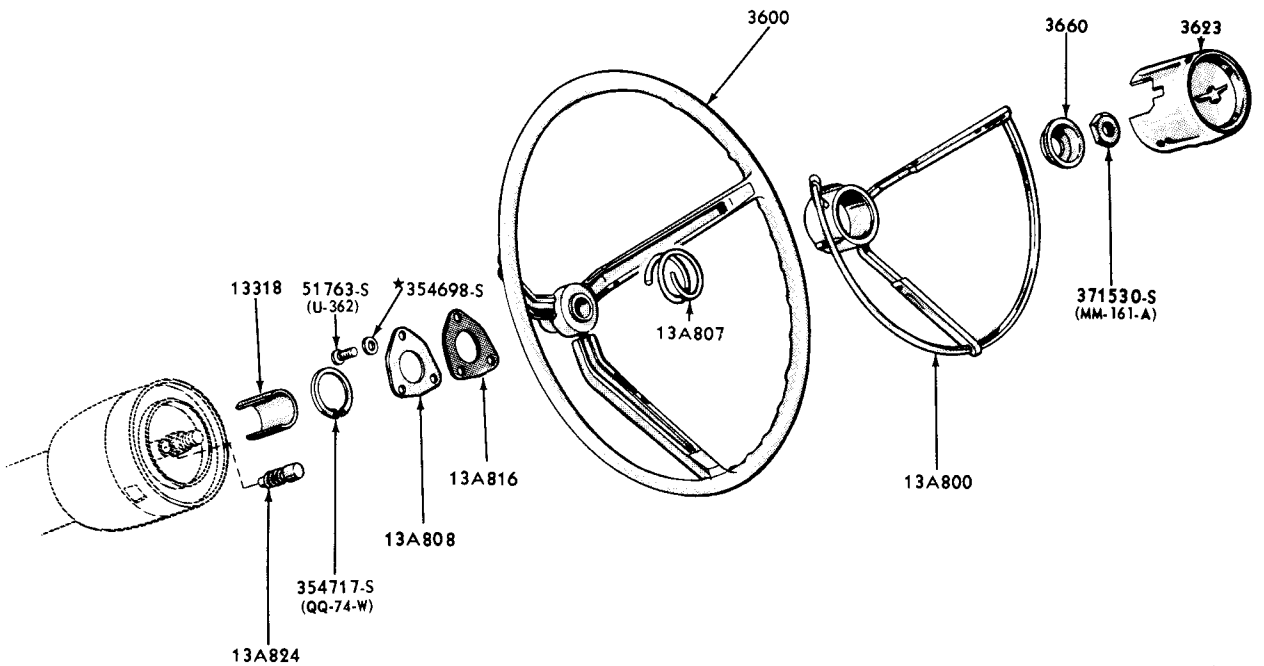
1962/64 STEERING WHEEL & HORN RING (FAIRLANE)





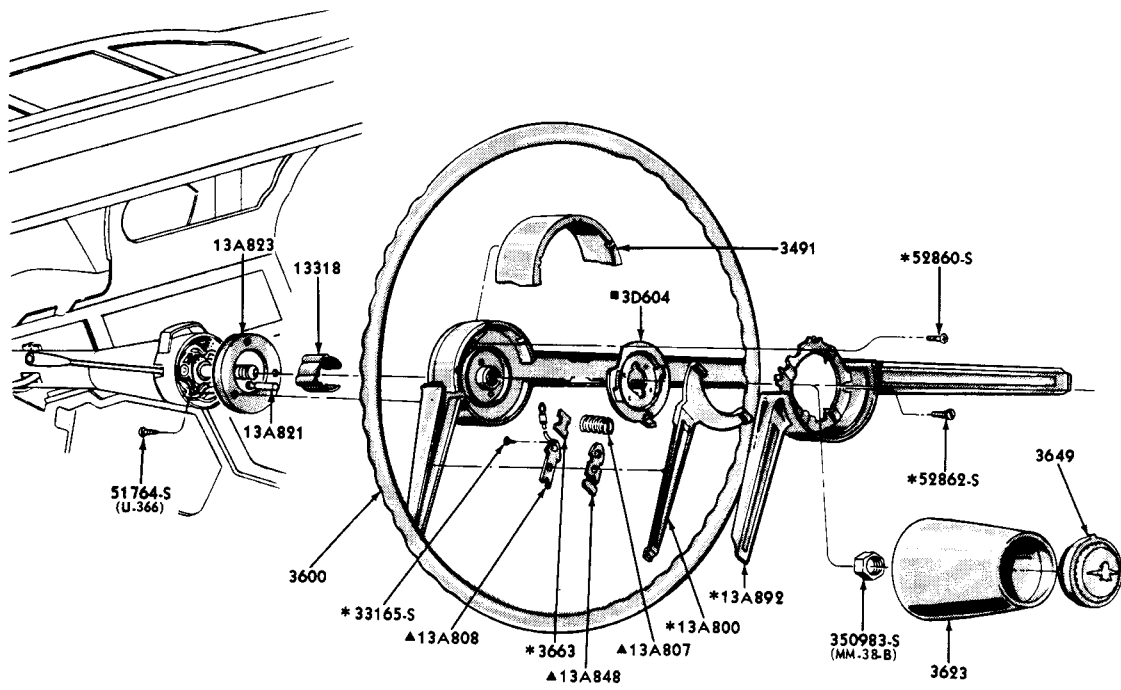
P-2686

1960 STEERING WHEEL & HORN RING (THUNDERBIRD)



P-3365

1961/63 STEERING WHEEL & HORN RING (THUNDERBIRD)-TYPICAL

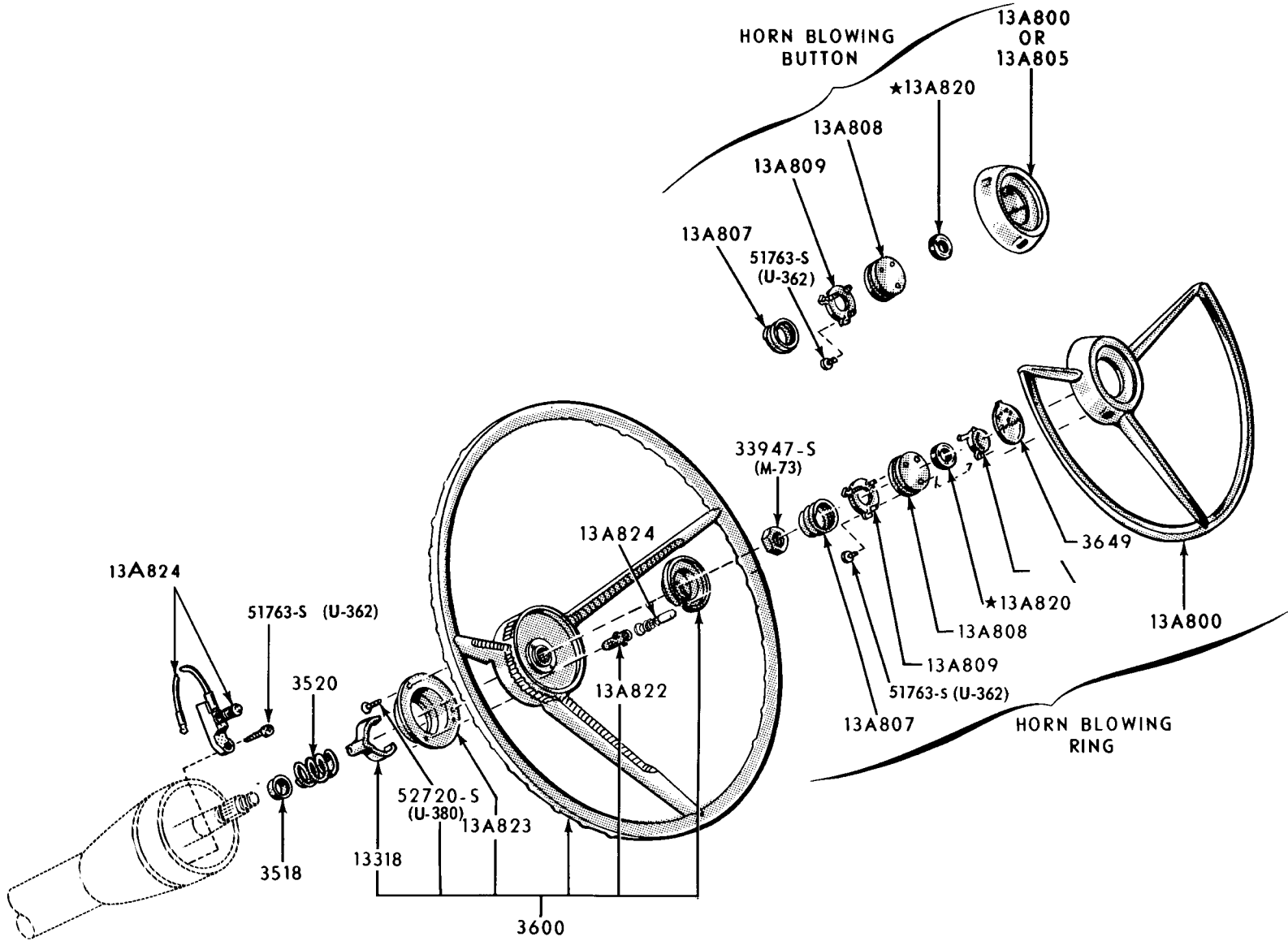


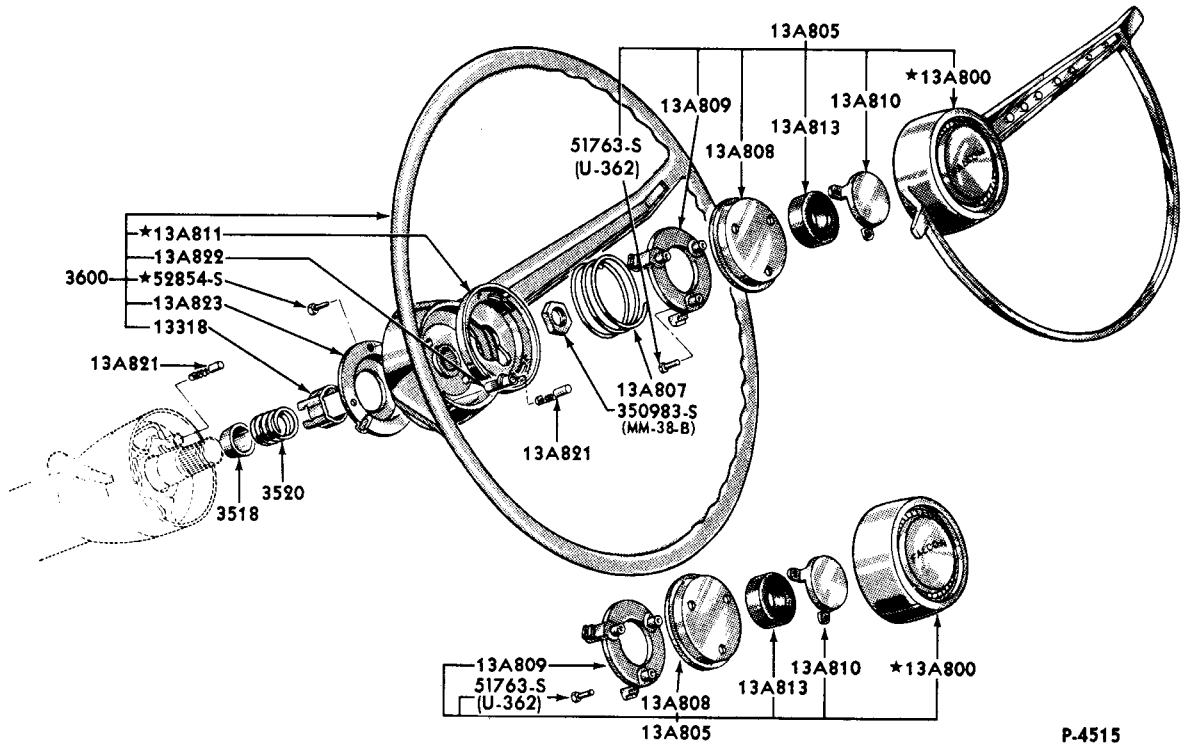
1964

- * SUPPLIED ONLY IN 13A805 HORN BUTTON ASSEMBLY
- ▲ ALSO SUPPLIED IN 13A805 HORN BUTTON ASSEMBLY
- SUPPLIED ONLY IN 3600 WHEEL ASSEMBLY

P.4544

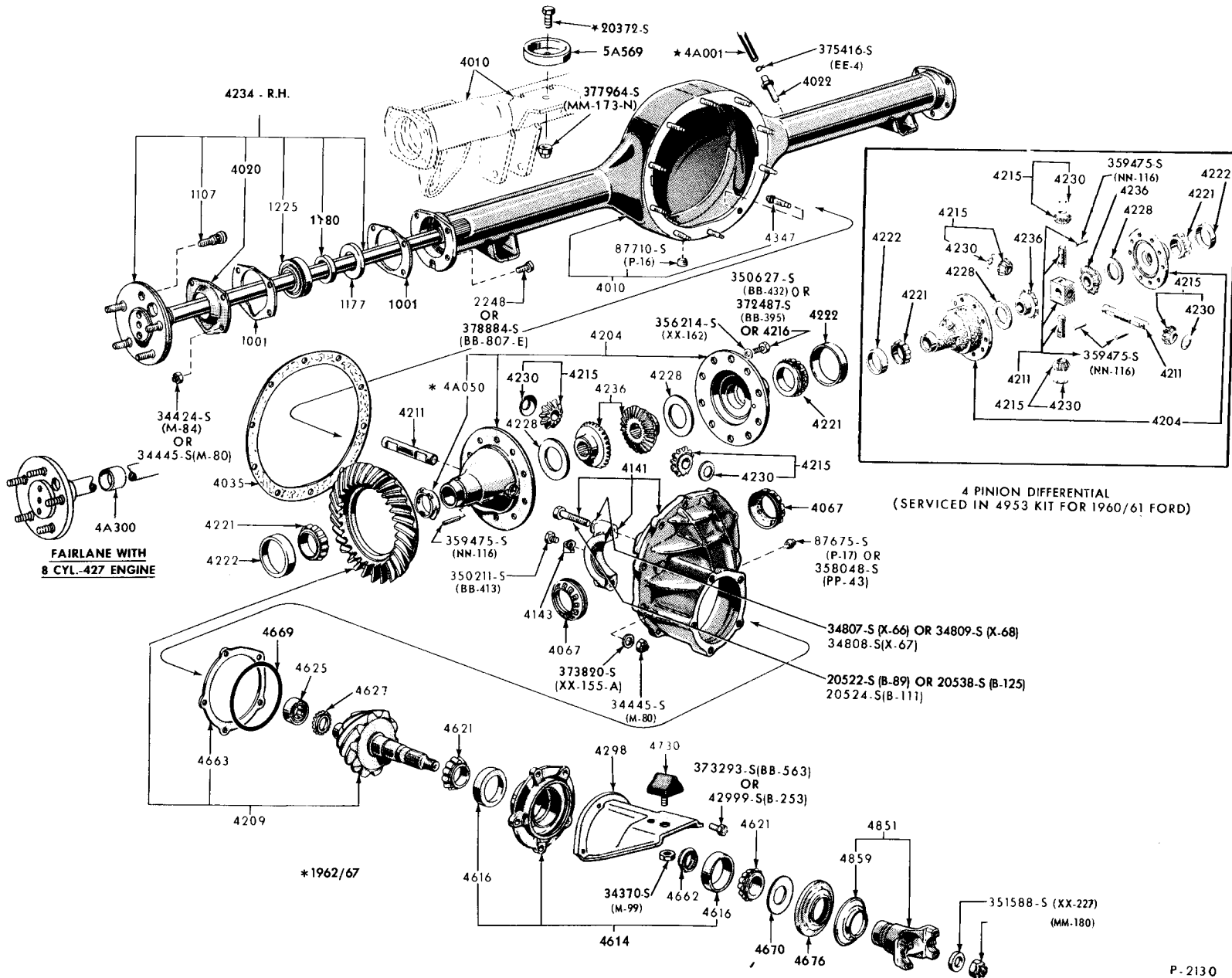
1964 STEERING WHEEL & HORN RING (THUNDERBIRD)





P-4515

1964 STEERING WHEEL & HORN RING (FALCON)

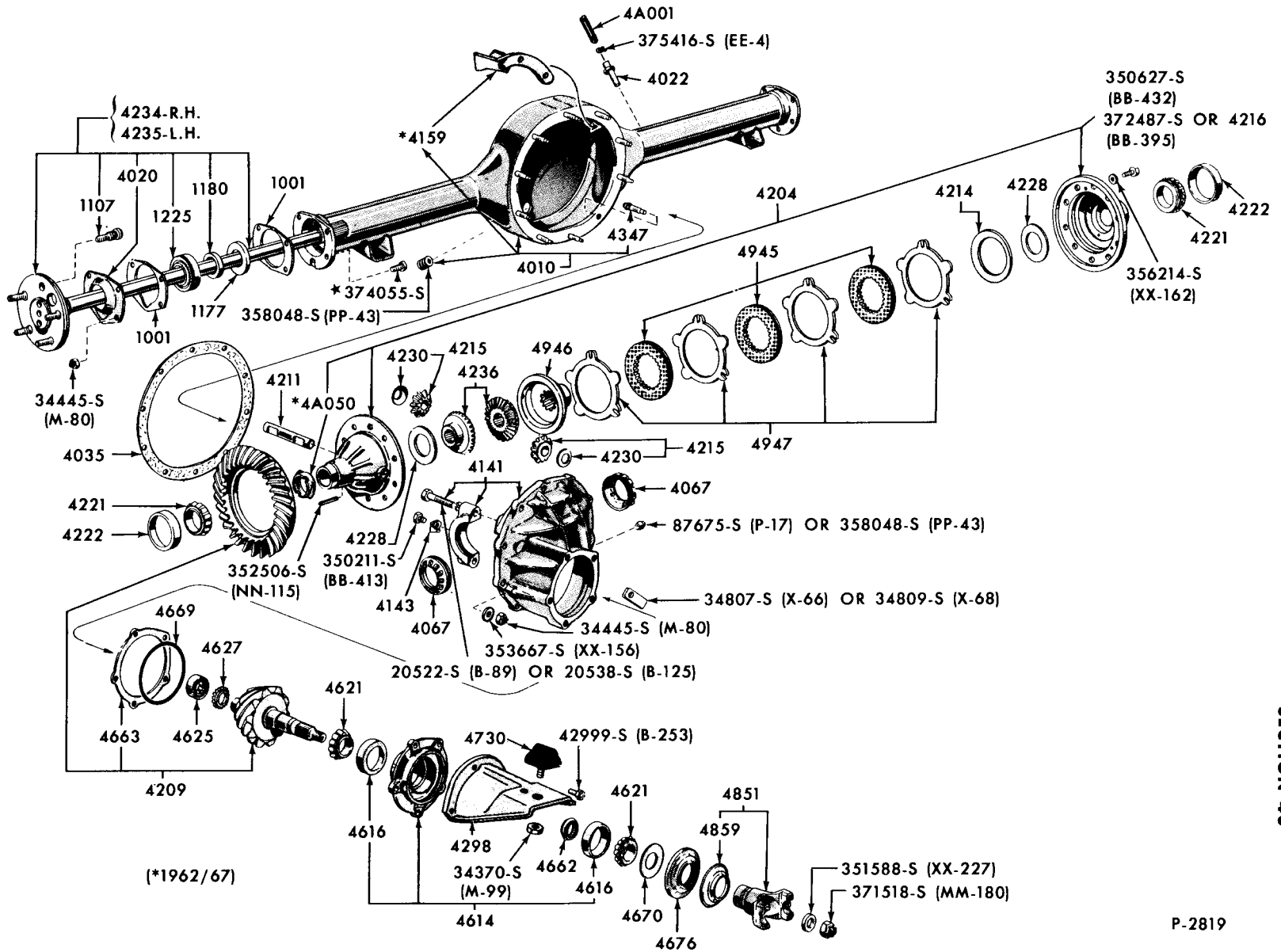


REAR AXLE (7 3/4", 8", 8 3/4", 9" RING GEAR)-TYPICAL NON-LOCKING-SEPARATE CARRIER
1960/ FORD, 1962/ FAIRLANE, 1960/ THUNDERBIRD, 1963/ FALCON

FAIRLANE WITH
8 CYL.-427 ENGINE

*1962/67

REAR AXLE (7 3/4", 8", 8 3/4", 9" RING GEAR)-TYPICAL EQUAL LOCK-SEPARATE CARRIER
 1960/ FORD, 1964/ FAIRLANE, 1960/ THUNDERBIRD, 1964/ FALCON

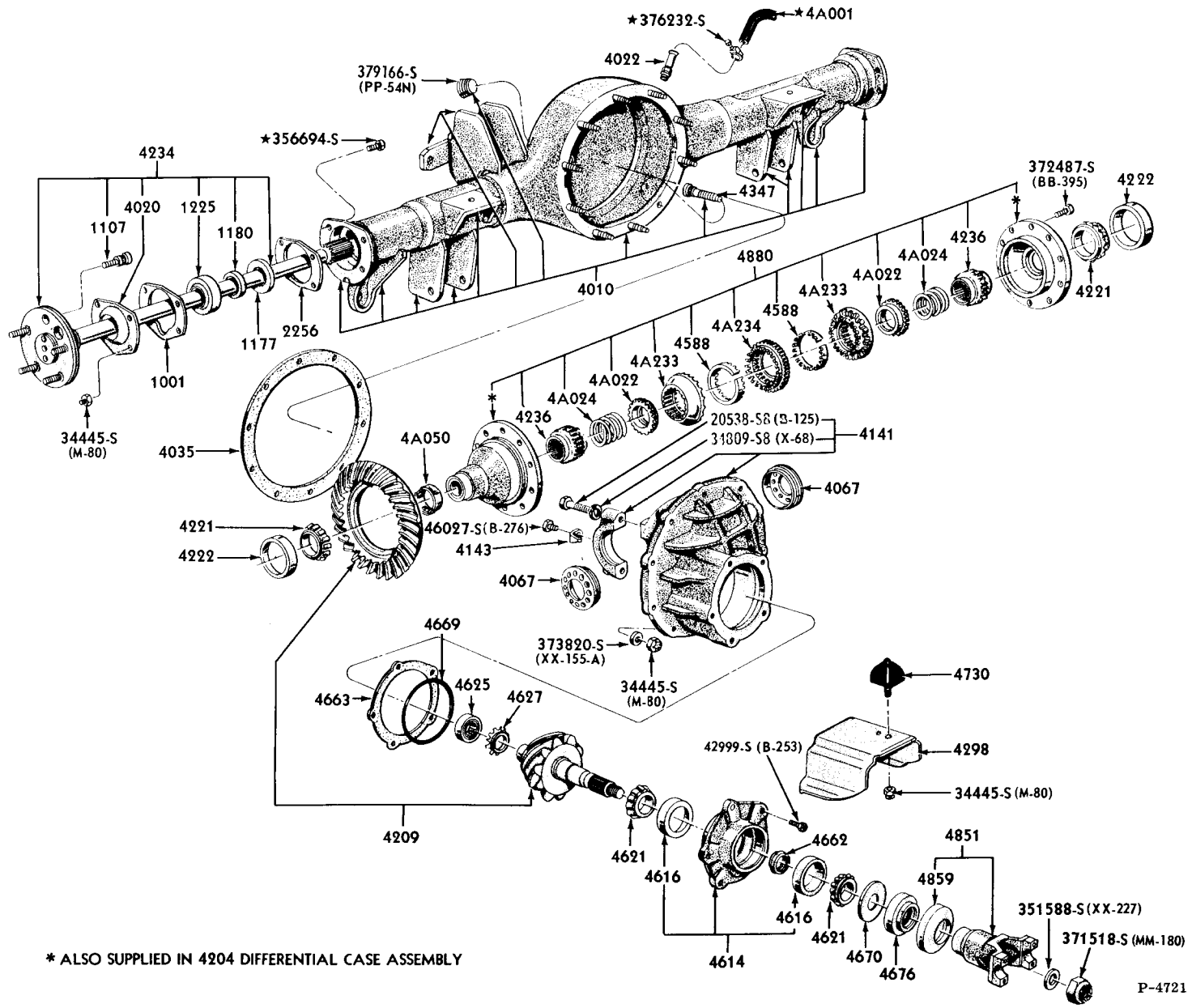


FORD CAR PARTS

ILLUSTRATION 40

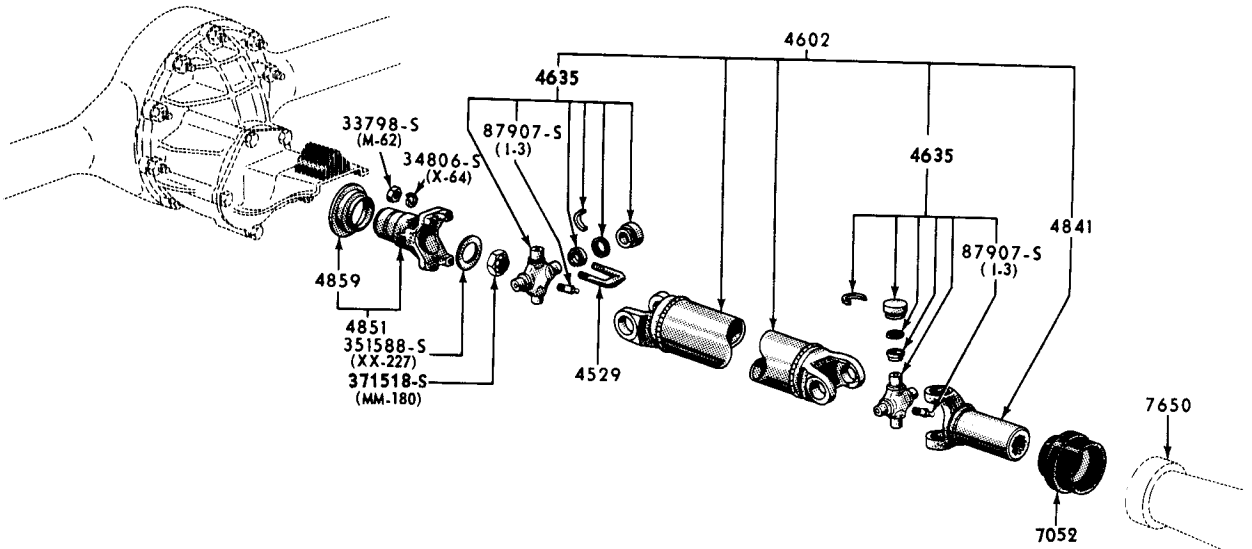
111

P-2819



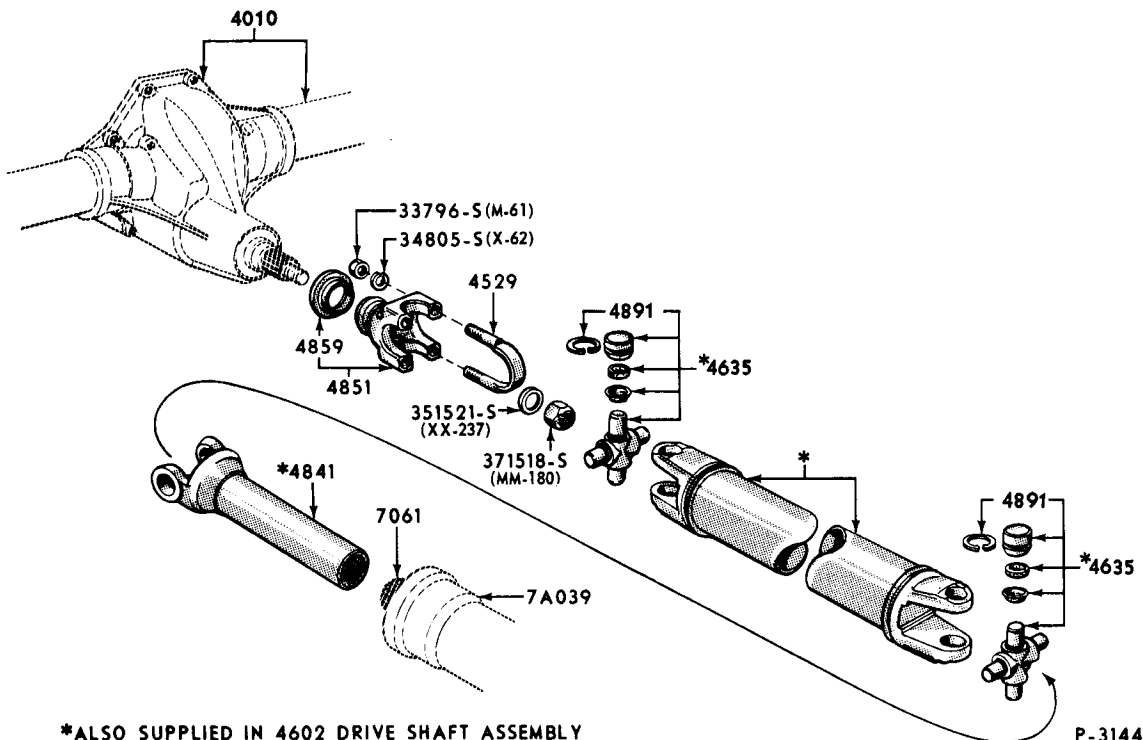
* ALSO SUPPLIED IN 4204 DIFFERENTIAL CASE ASSEMBLY

1963 / REAR AXLE (DAPCO NO-SPIN DIFFERENTIAL) (FORD - 8 CYLINDER 427 SPECIAL)



P-2995

1960/ DRIVE SHAFT & RELATED PARTS (FORD, FAIRLANE)- TYPICAL
1960/ DRIVE SHAFT & RELATED PARTS (THUNDERBIRD TWO-DOOR)- TYPICAL



*ALSO SUPPLIED IN 4602 DRIVE SHAFT ASSEMBLY

P-3144

1960/ DRIVE SHAFT & RELATED PARTS (FALCON)- TYPICAL

INDEX

Below is a list of the major groups and the order in which they are listed in this Index.

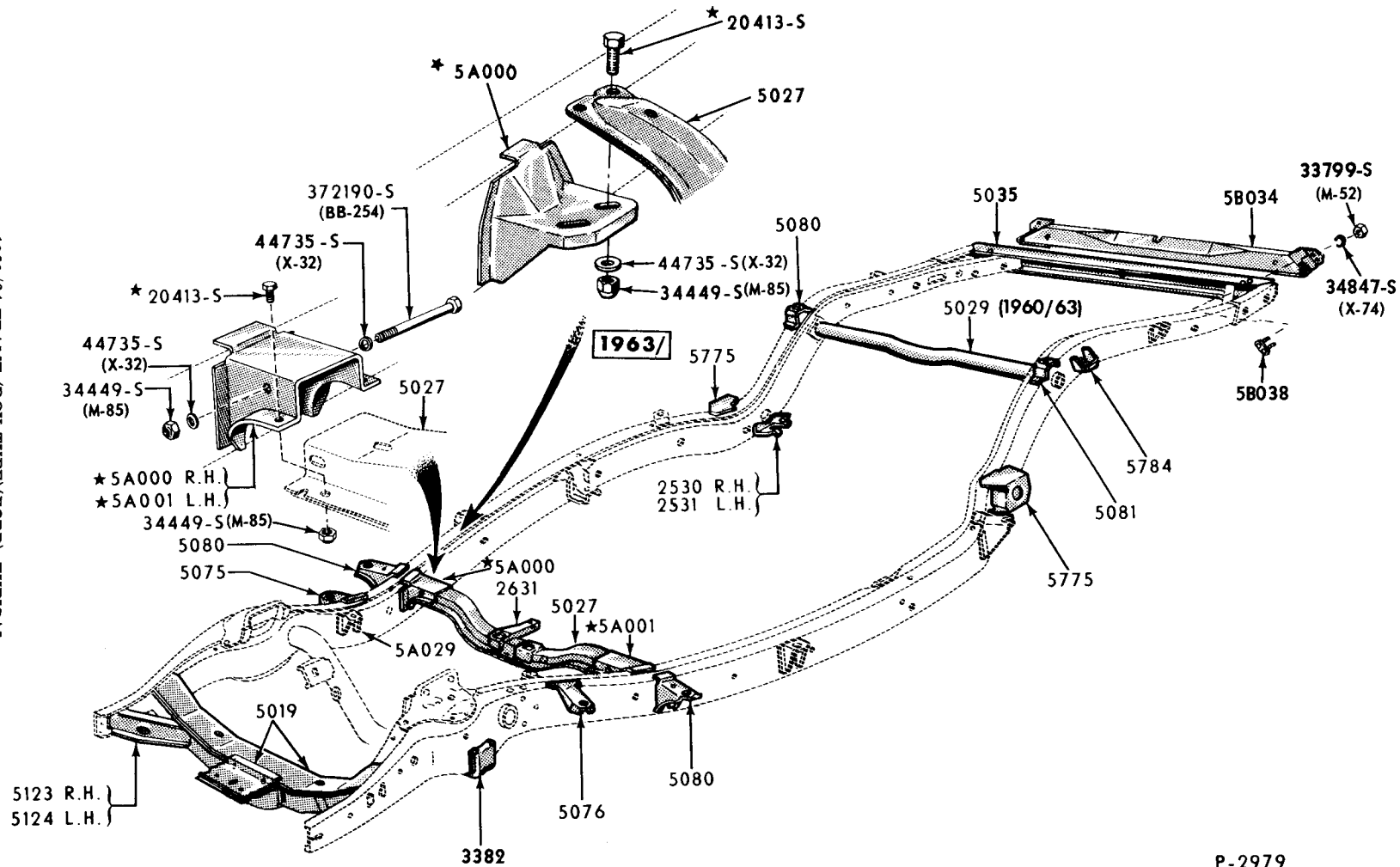
FRAME
EXHAUST SYSTEM

FRONT SPRINGS
REAR SUSPENSION & SPRINGS

STABILIZER

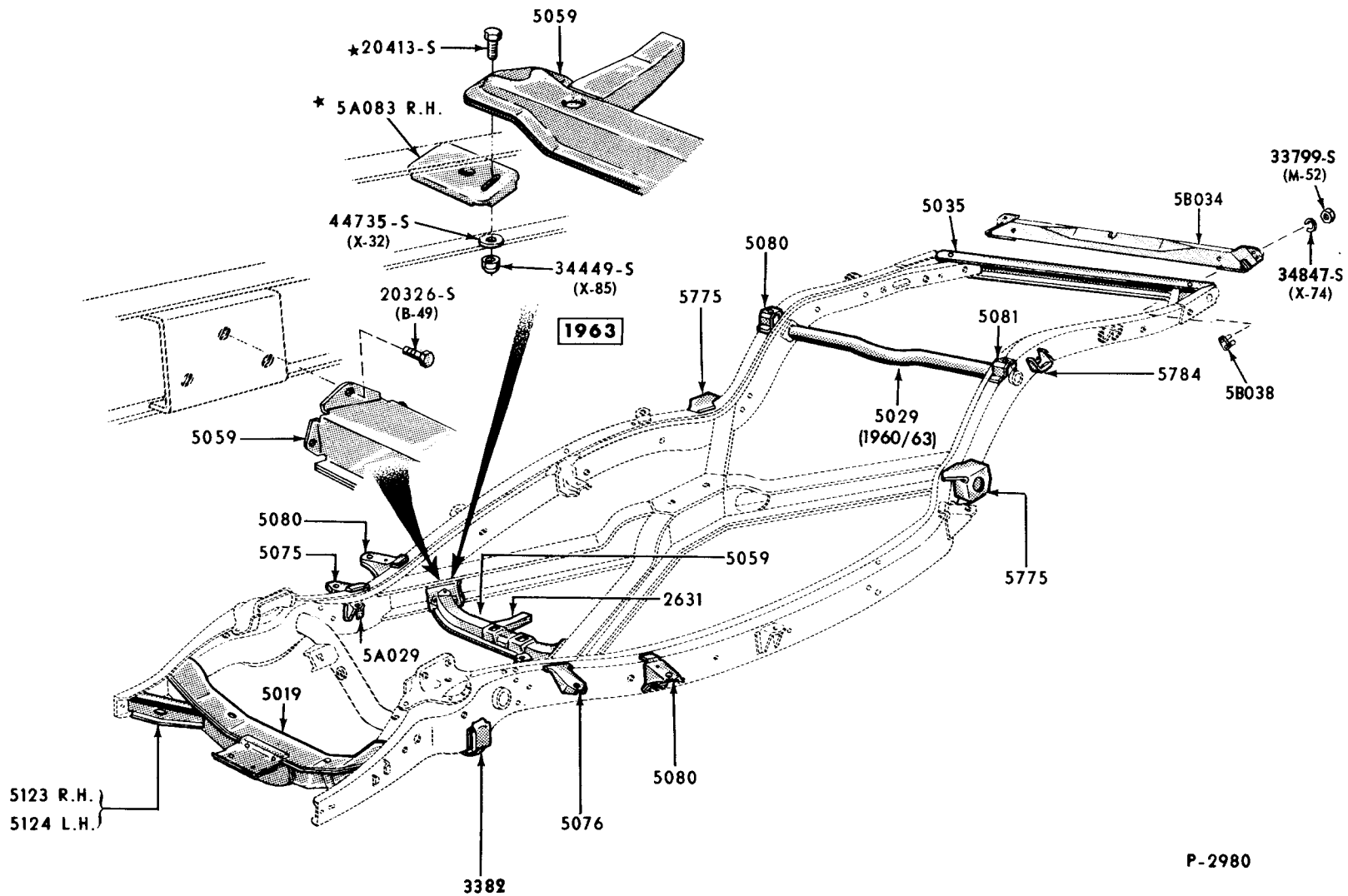
YEAR	TITLE	ILLUS. NO.	SECTION	PAGE
FRAME				
1960/64	Frame (box type)(Ford)-Typical	P-2979	50	116
1960/64	Frame ("X" type)(Ford)-Typical	P-2980	50	117
	For Cars With Unitized Construction-See Sheet Metal Illustration Section			
EXHAUST SYSTEM				
- A -				
1960/62	Exhaust System-Single (Ford-6 & 8 Cylinder)-Typical	P-3083	52	118
1960/62	Exhaust System-Dual (Ford-8 Cylinder)-Typical	P-3084	52	119
1963/64	Exhaust System-Single (Ford-Custom & Galaxie-except Model 76)	P-4113	52	120
1963/64	Exhaust System-Dual & Single (Galaxie Model 76)	P-4114	52	121
- B -				
1962/	Exhaust System-Single (Fairlane Sedans & Convertibles)-6 & 8 Cylinder Engines	P-3735	52	122
1963/	Exhaust System-Single (Fairlane-Station Wagon)-6 & 8 Cylinder Engines	P-4065	52	123
1964/	Exhaust System-Dual (Fairlane)-8 Cylinder 289 Special	P-4572	52	124
- S -				
1960	Exhaust System (Thunderbird) -8 cyl. 352	P-2727	52	125
1960	Exhaust System (Thunderbird) -8 cyl. 430	P-3050	52	126
1961/62	Exhaust System-Dual (Thunderbird)	P-3219	52	127
1963	Exhaust System-Single (Thunderbird-8 Cylinder 390 -4V Engine)	P-4120	52	128
1963	Exhaust System-Dual (Thunderbird-8 Cylinder 390-6V Engine)	P-4454	52	129
1964/	Exhaust System-Dual (Thunderbird-8 Cylinder 390-4V Engine)	P-4453	52	130
- X -				
1960/63	Exhaust System (Falcon Sedans & Convertibles)-Typical	P-3123	52	131
1960/63	Exhaust System (Falcon Station Wagon & Ranchero)-Typical	P-3223	52	132
1964	Exhaust System-Single (Falcon 6 Cylinder)	P-4528	52	133
1964	Exhaust System-Single (Falcon 8 Cylinder)	P-4529	52	134
FRONT SPRINGS				
	Refer to Illustration Section 30			
REAR SUSPENSION & SPRINGS				
1960/64	Rear Suspension (Ford)	P-2985	53	135
1962/	Rear Suspension (Fairlane)	P-3662	53	136
1961	Rear Suspension (Thunderbird)	P-3277	53	137
1962/63	Rear Suspension (Thunderbird)	P-3912	53	138
1964/	Rear Suspension (Thunderbird)	P-4351	53	138
1960/	Rear Suspension (Falcon)	P-3125	53	139
STABILIZER				
1960/64	Stabilizer (Ford)	P-2978	53	140
1960/	Stabilizer (Fairlane, Falcon)-Typical	P-3124	53	140
1960	Stabilizer (Thunderbird)-typical	P-3092	53	141
1961/	Stabilizer Bar (Thunderbird)	P-3275	53	141

1960/64 FRAME (BOX TYPE)(FORD)-TYPICAL



P-2979

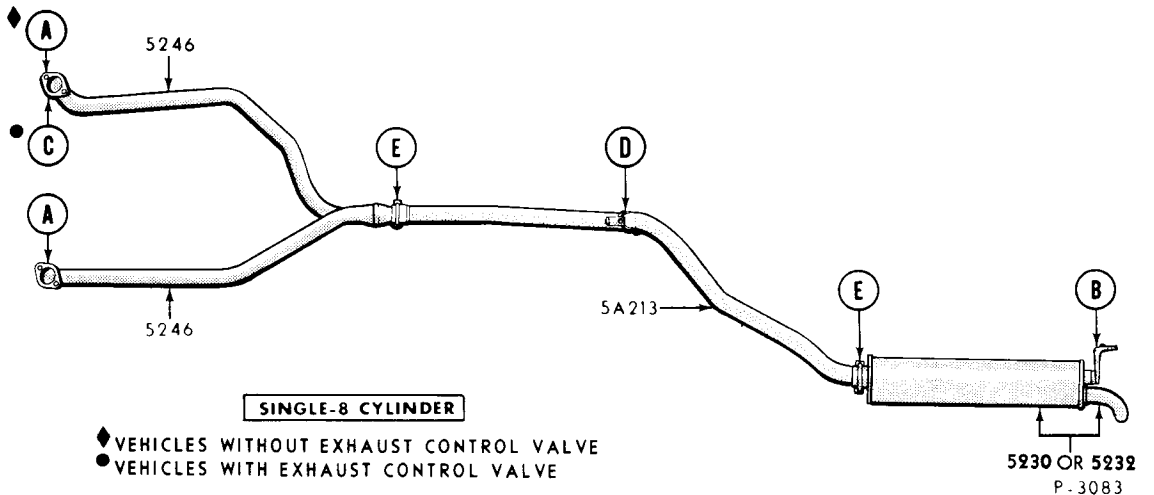
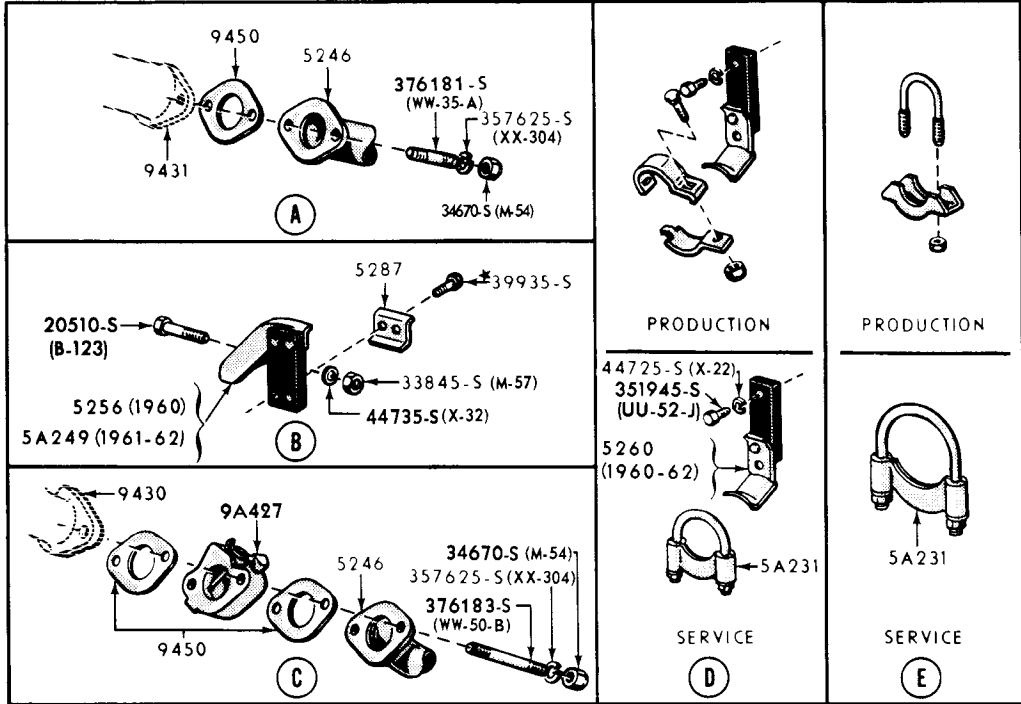
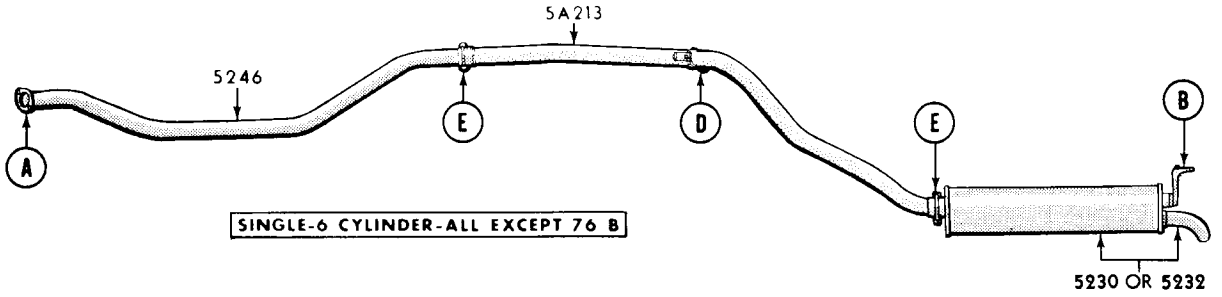
1960/64 FRAME ("X" TYPE)(FORD)-TYPICAL



FORD CAR PARTS

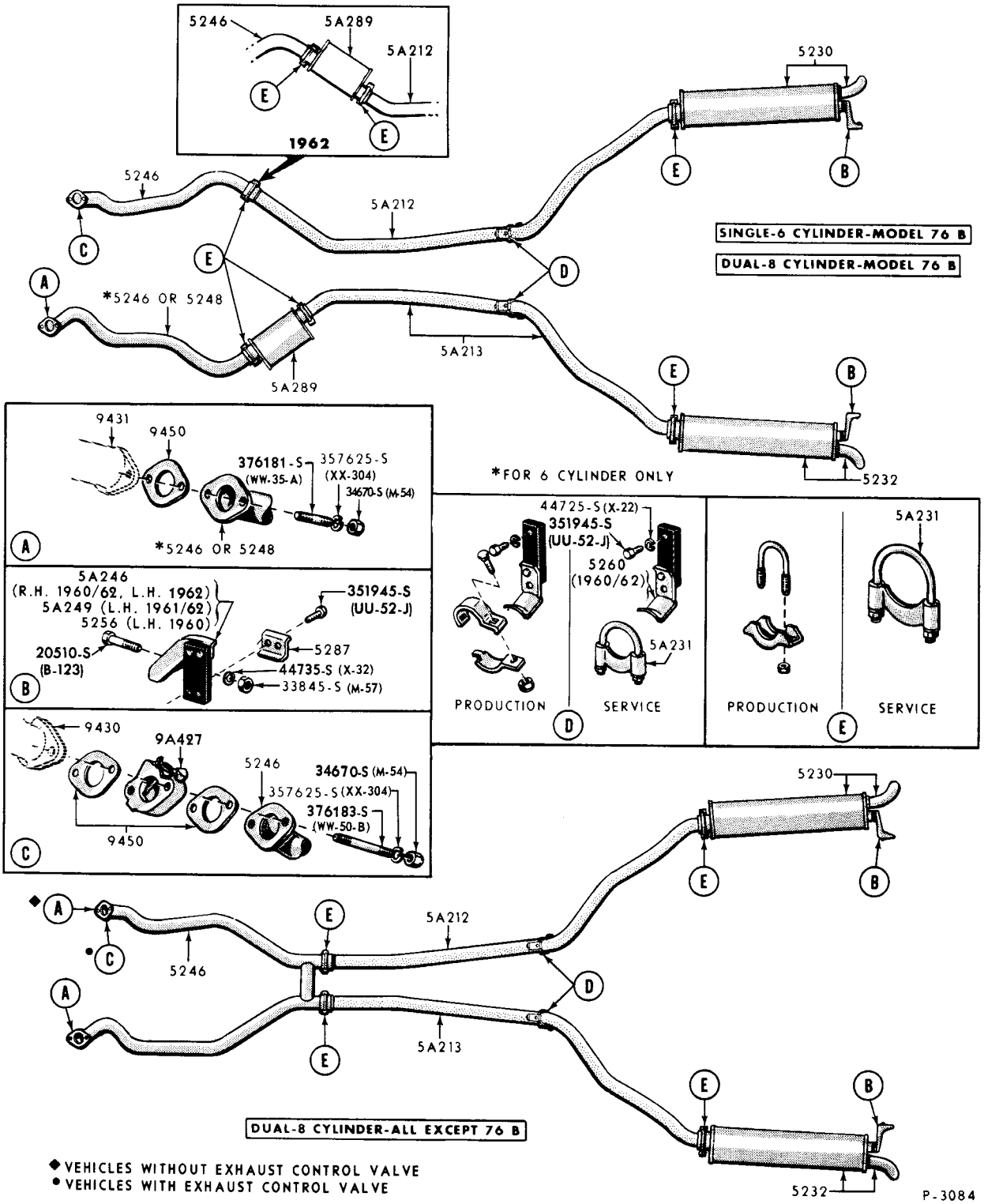
ILLUSTRATION SECTION 50

P-2980

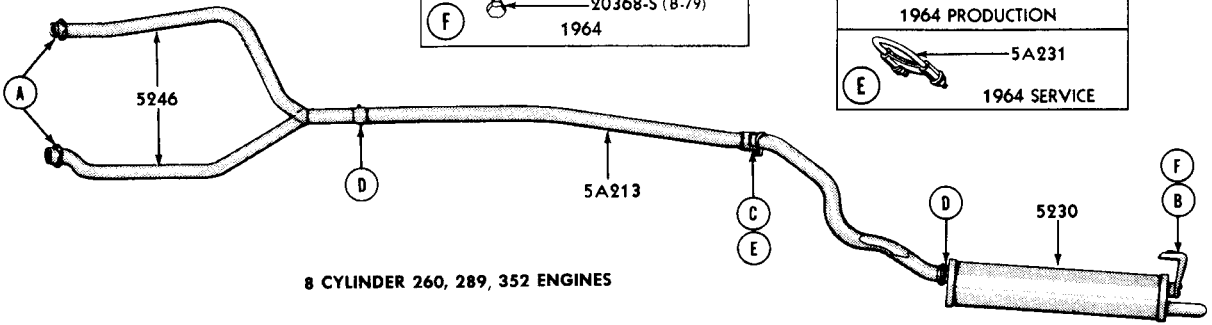
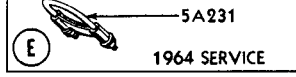
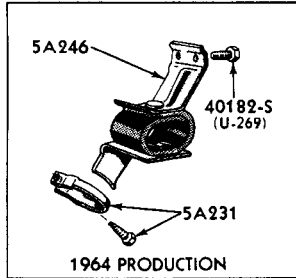
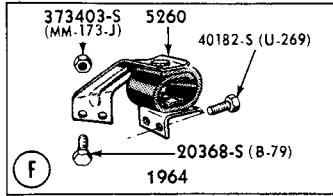
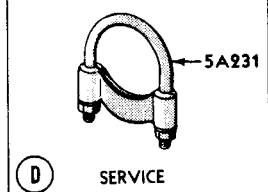
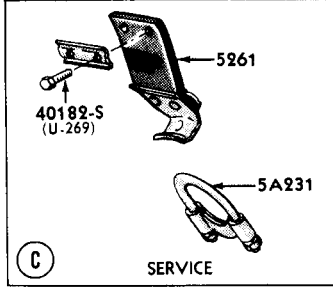
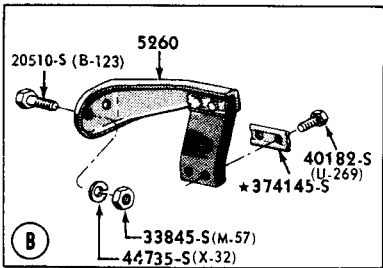
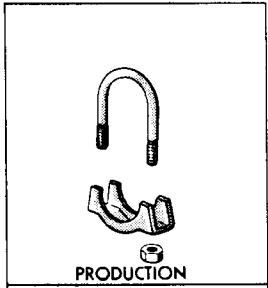
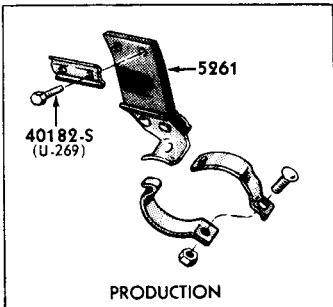
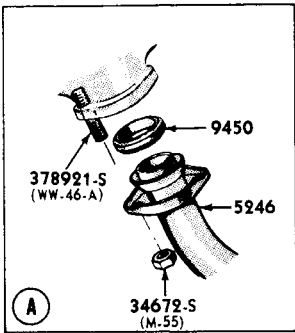
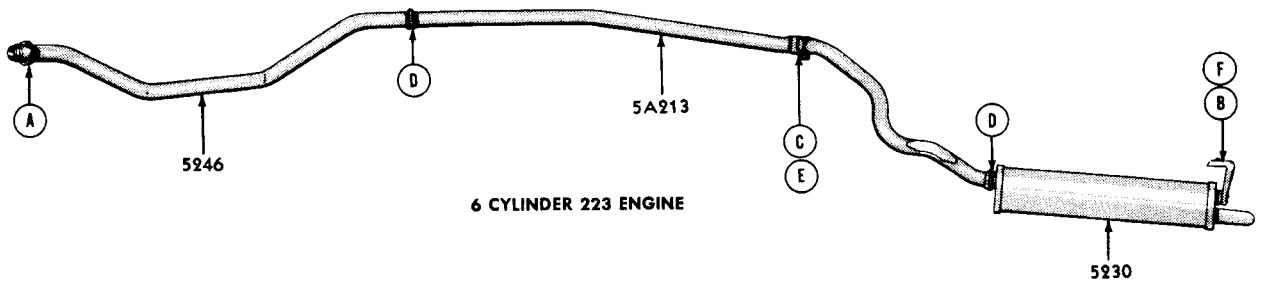


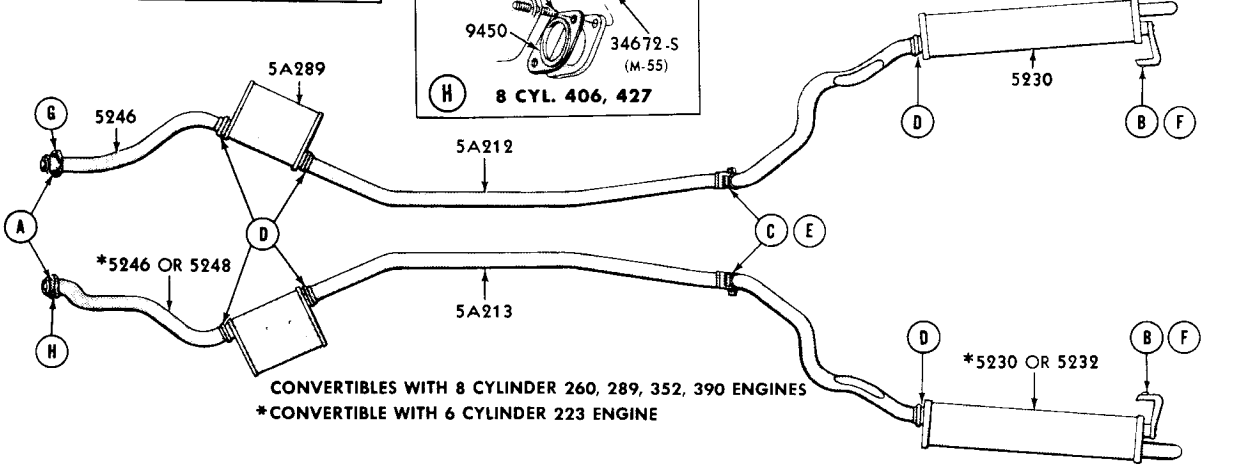
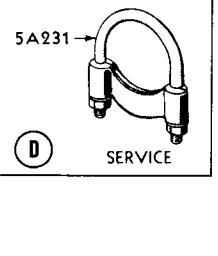
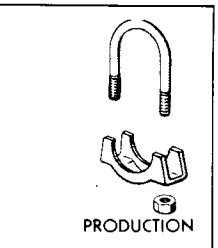
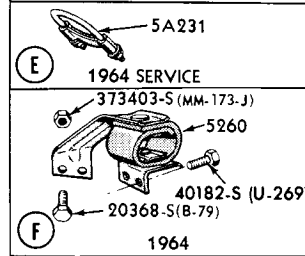
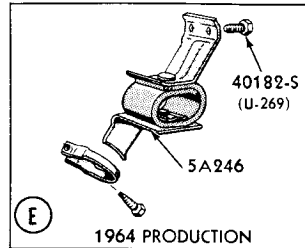
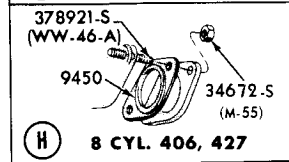
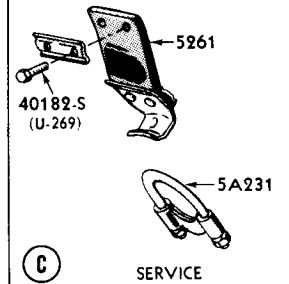
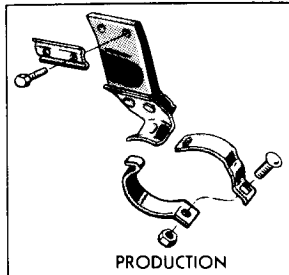
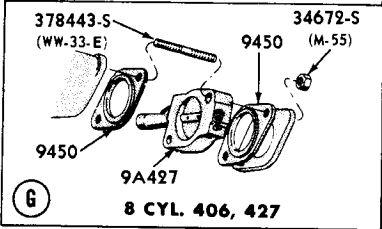
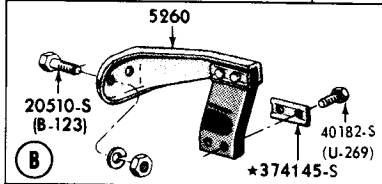
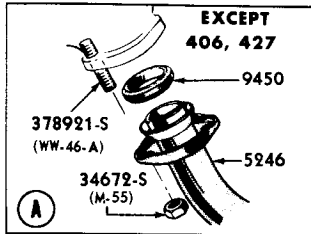
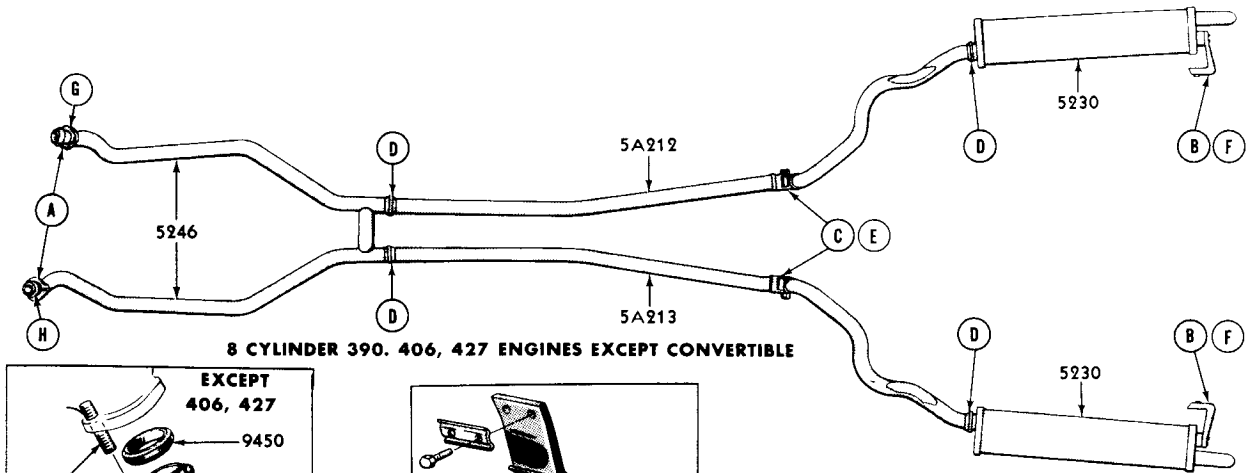
- ◆ VEHICLES WITHOUT EXHAUST CONTROL VALVE
- VEHICLES WITH EXHAUST CONTROL VALVE

5230 OR 5232
P-3083

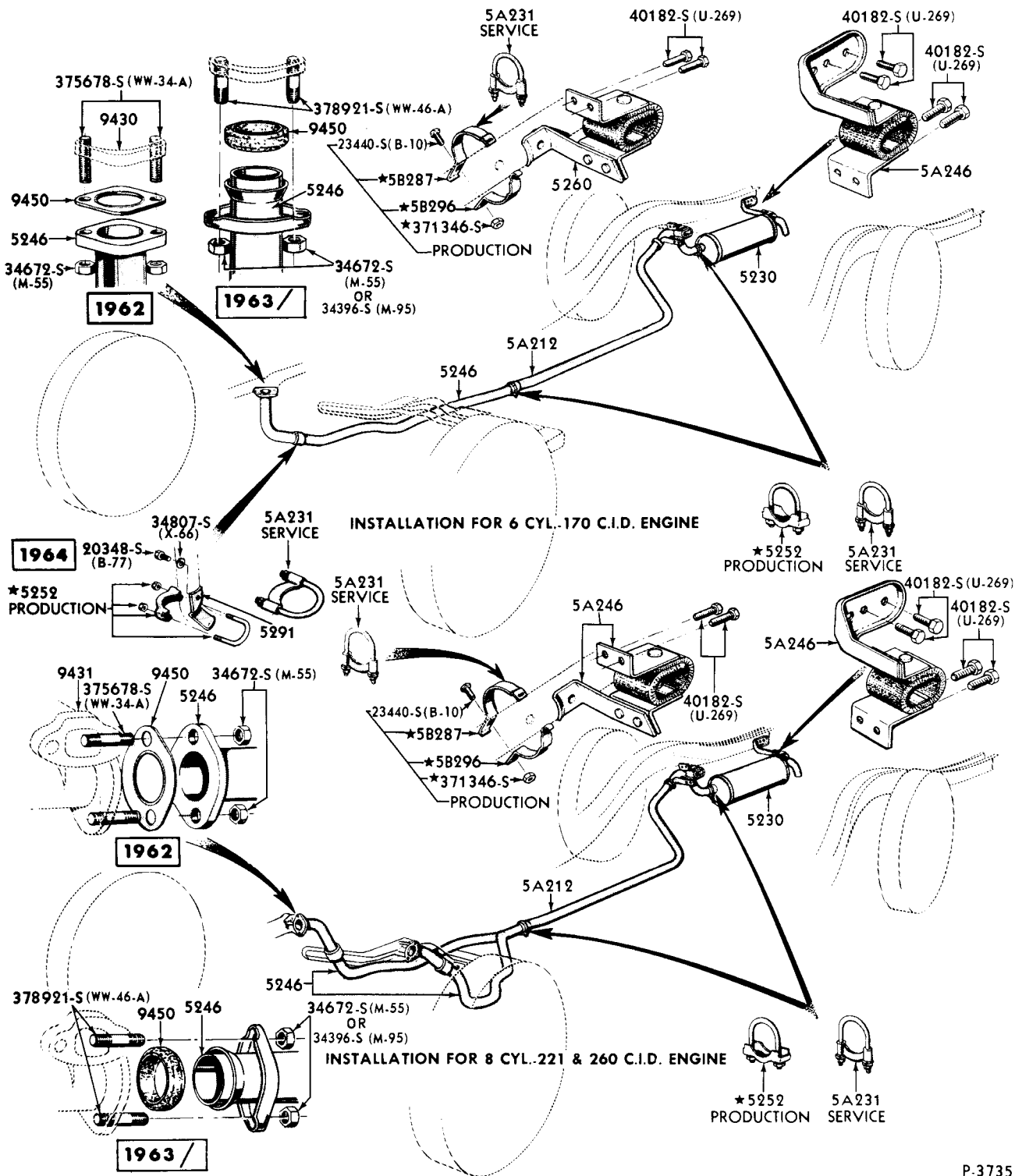


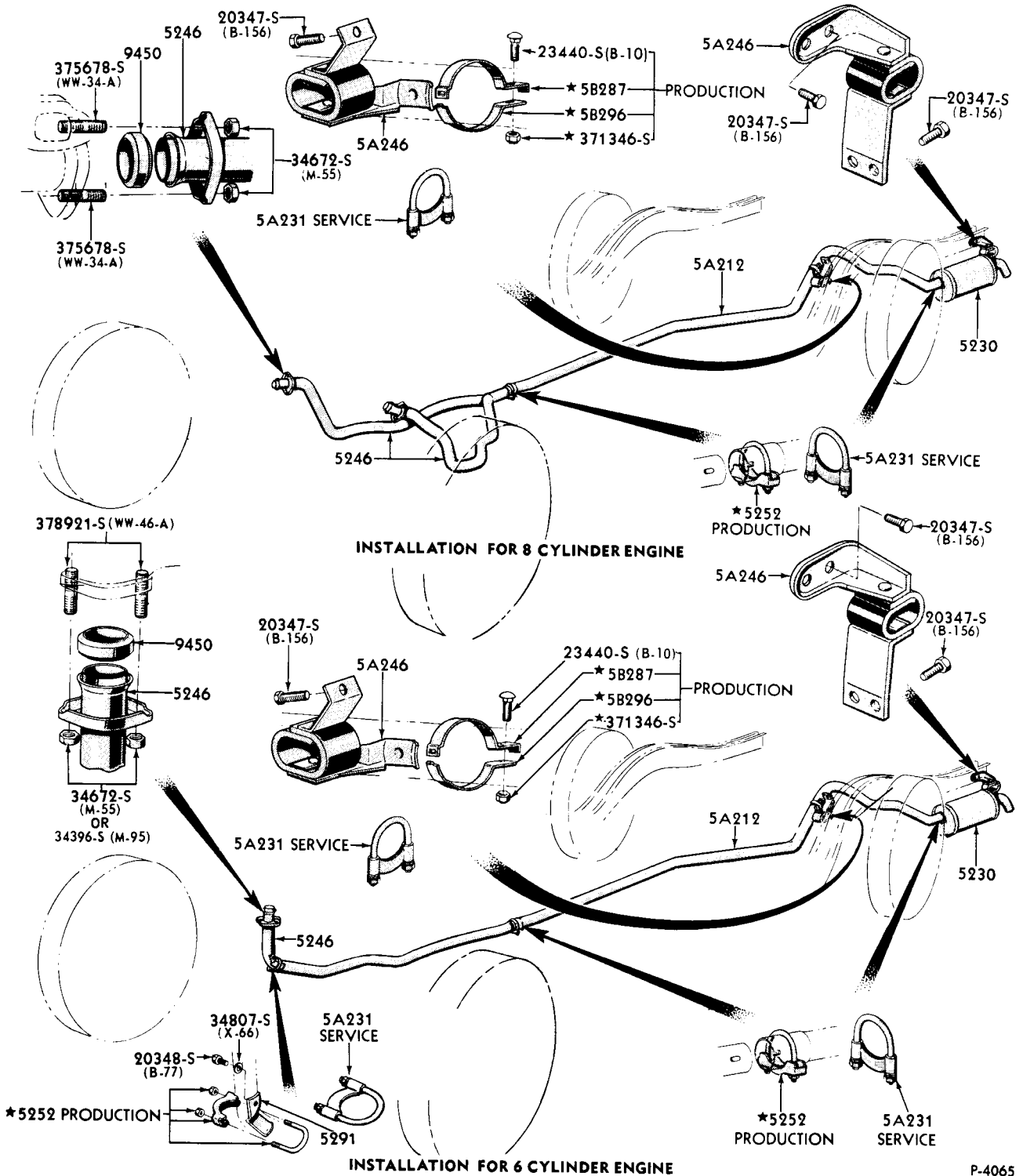
1960/62 EXHAUST SYSTEM - DUAL (FORD - 8 CYLINDER)-TYPICAL

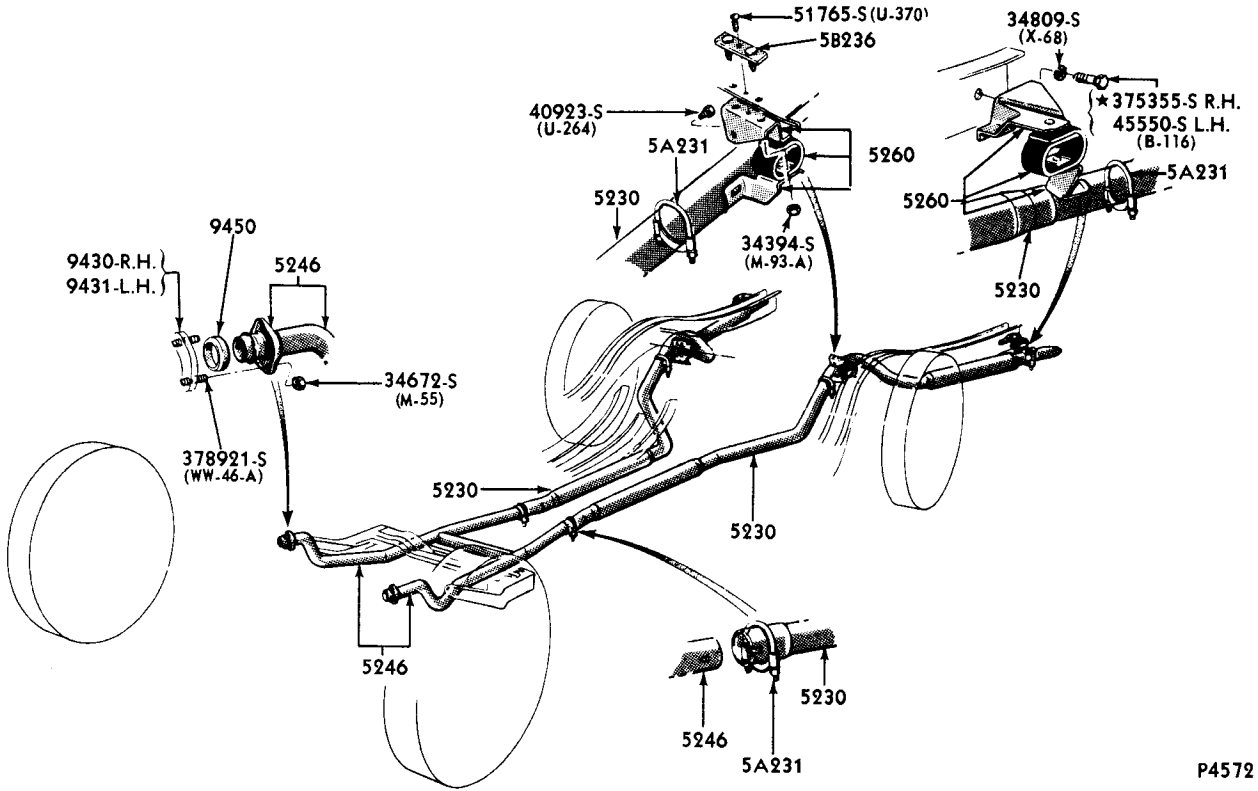




P.4114

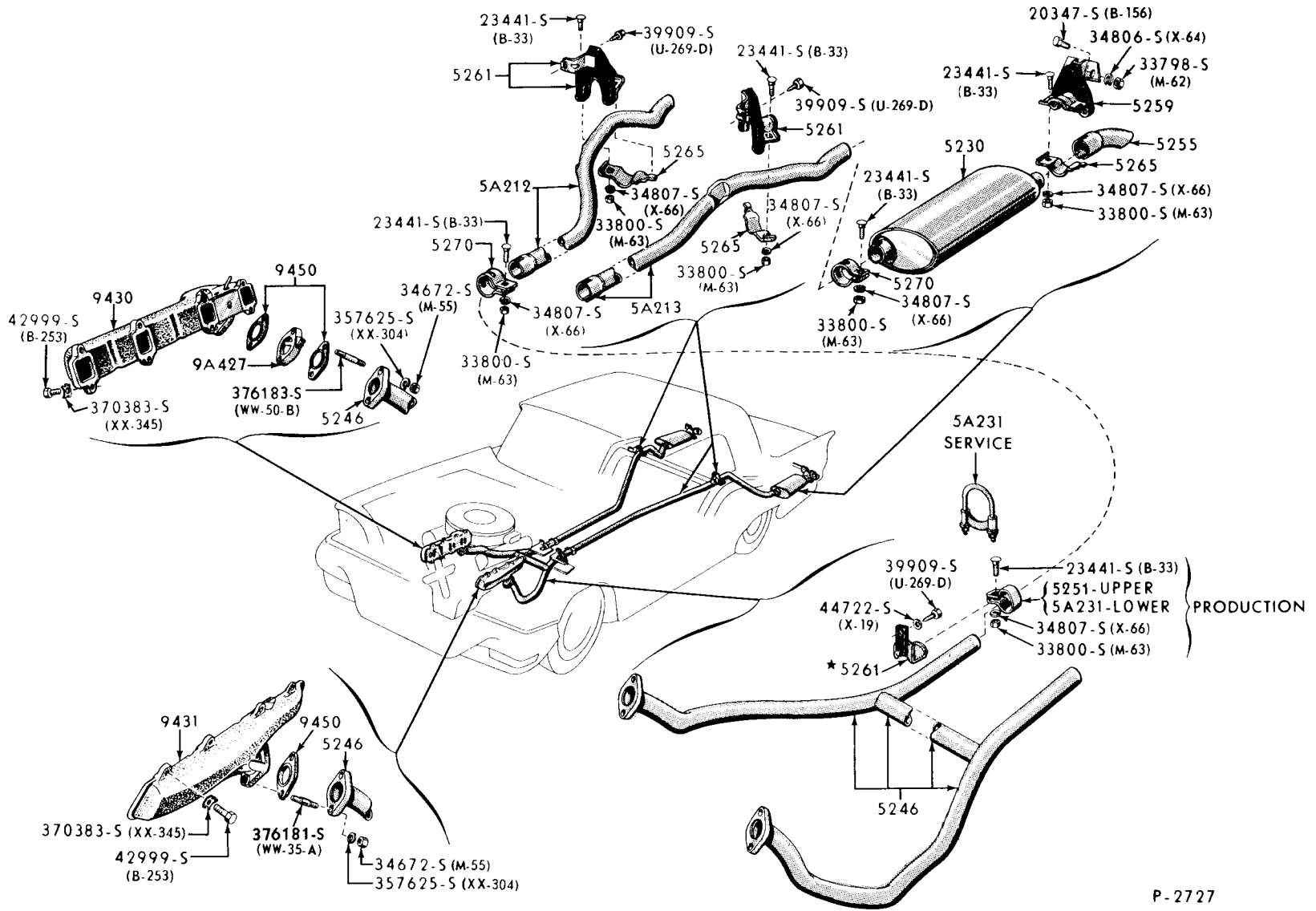


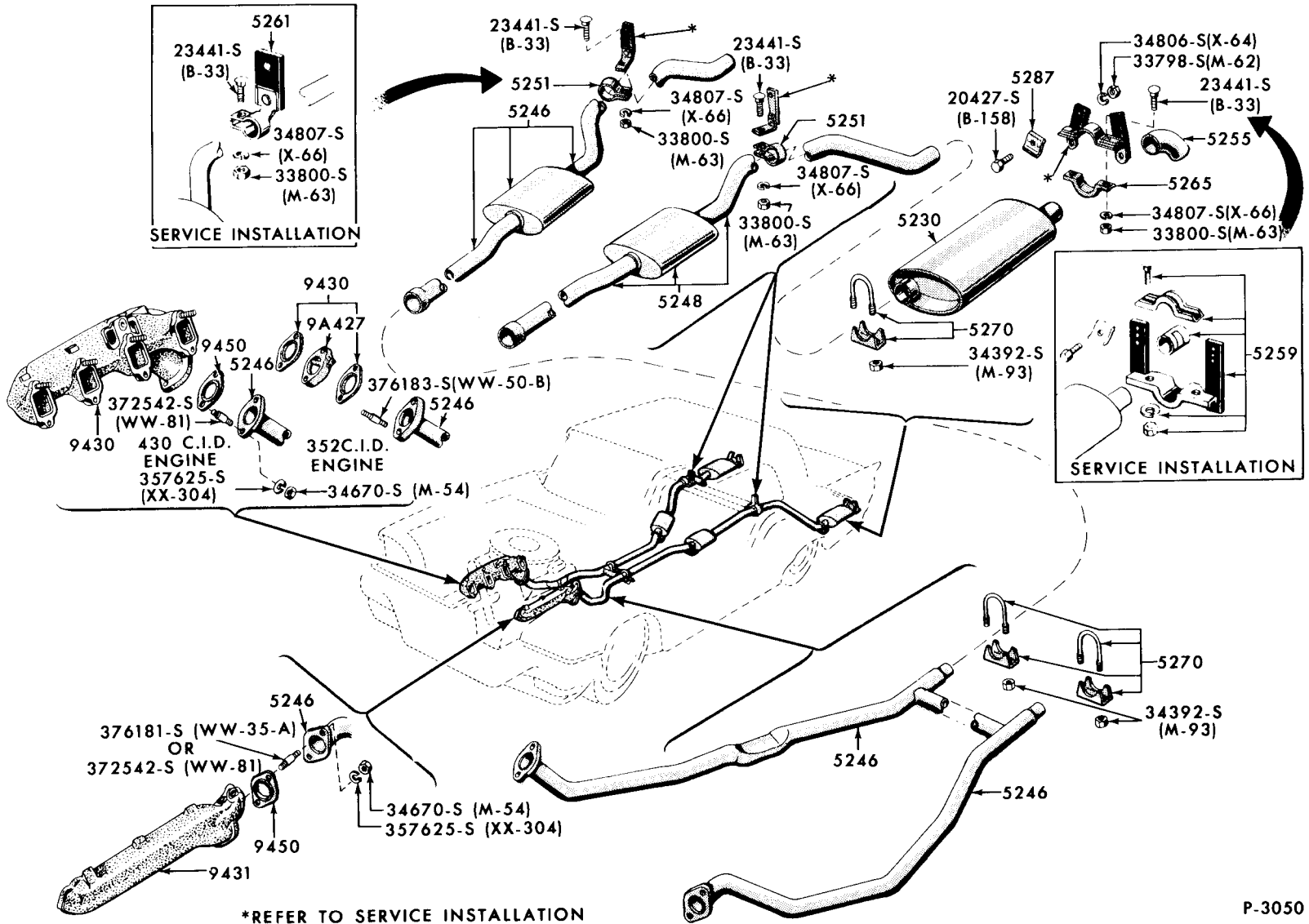




P4572

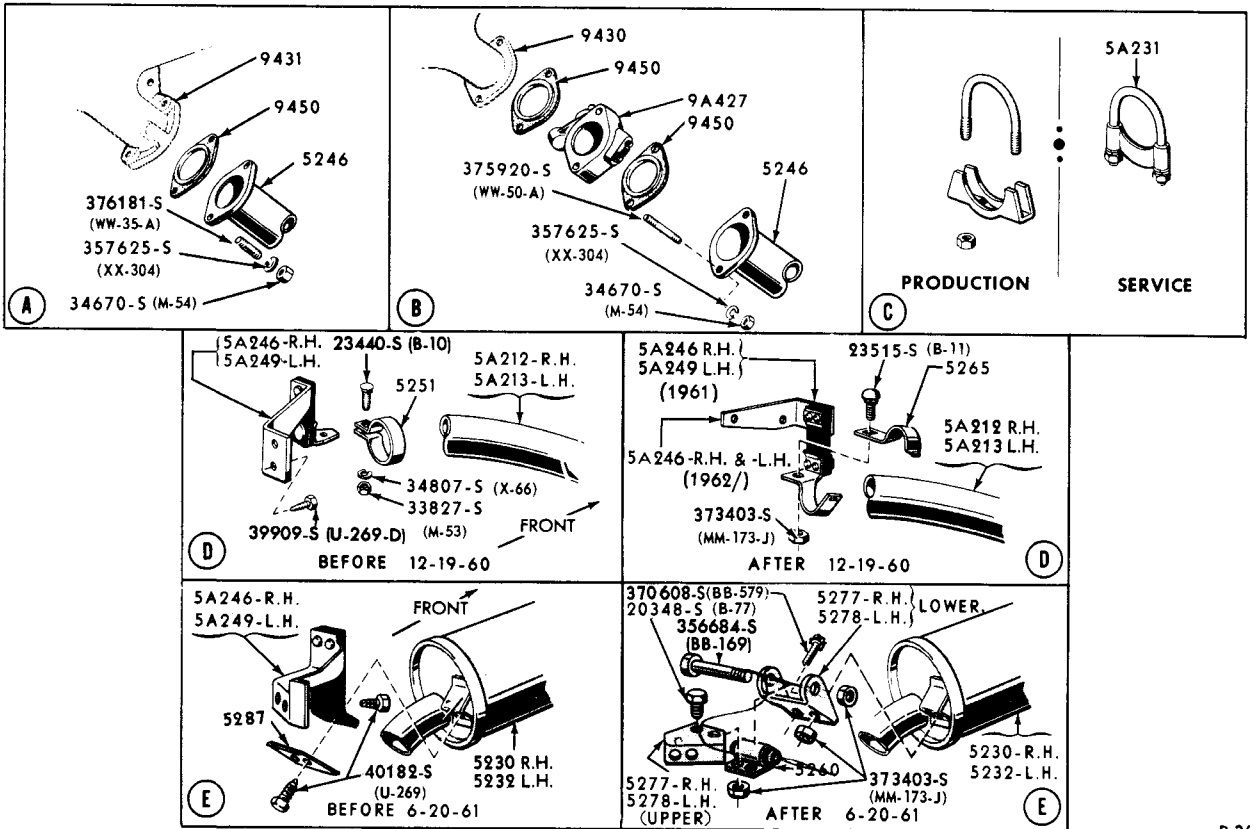
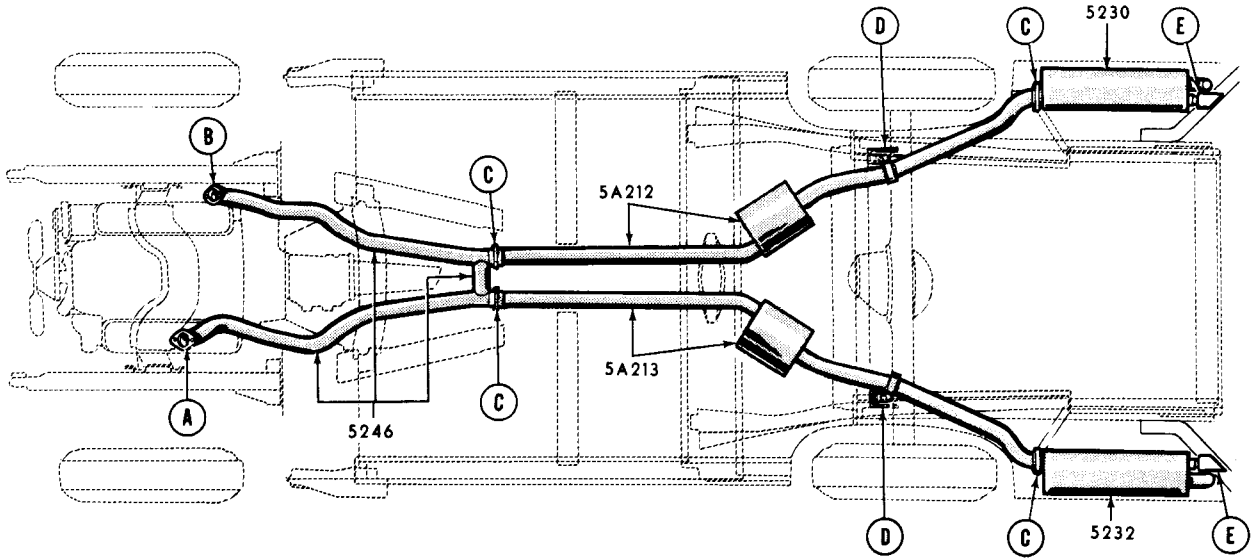
1964/ EXHAUST SYSTEM-DUAL (FAIRLANE)-8 CYLINDER 289 SPECIAL





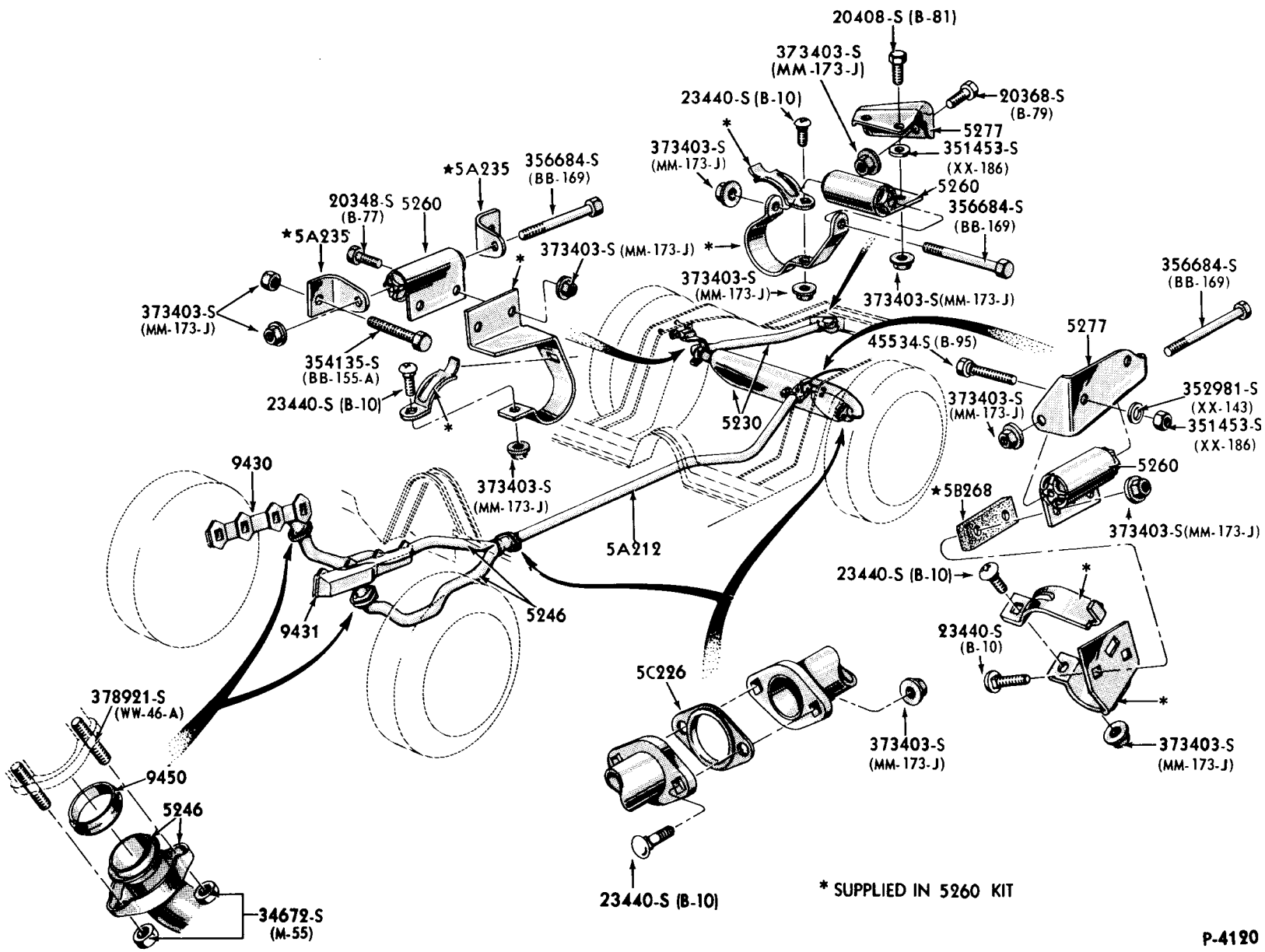
*REFER TO SERVICE INSTALLATION

P-3050

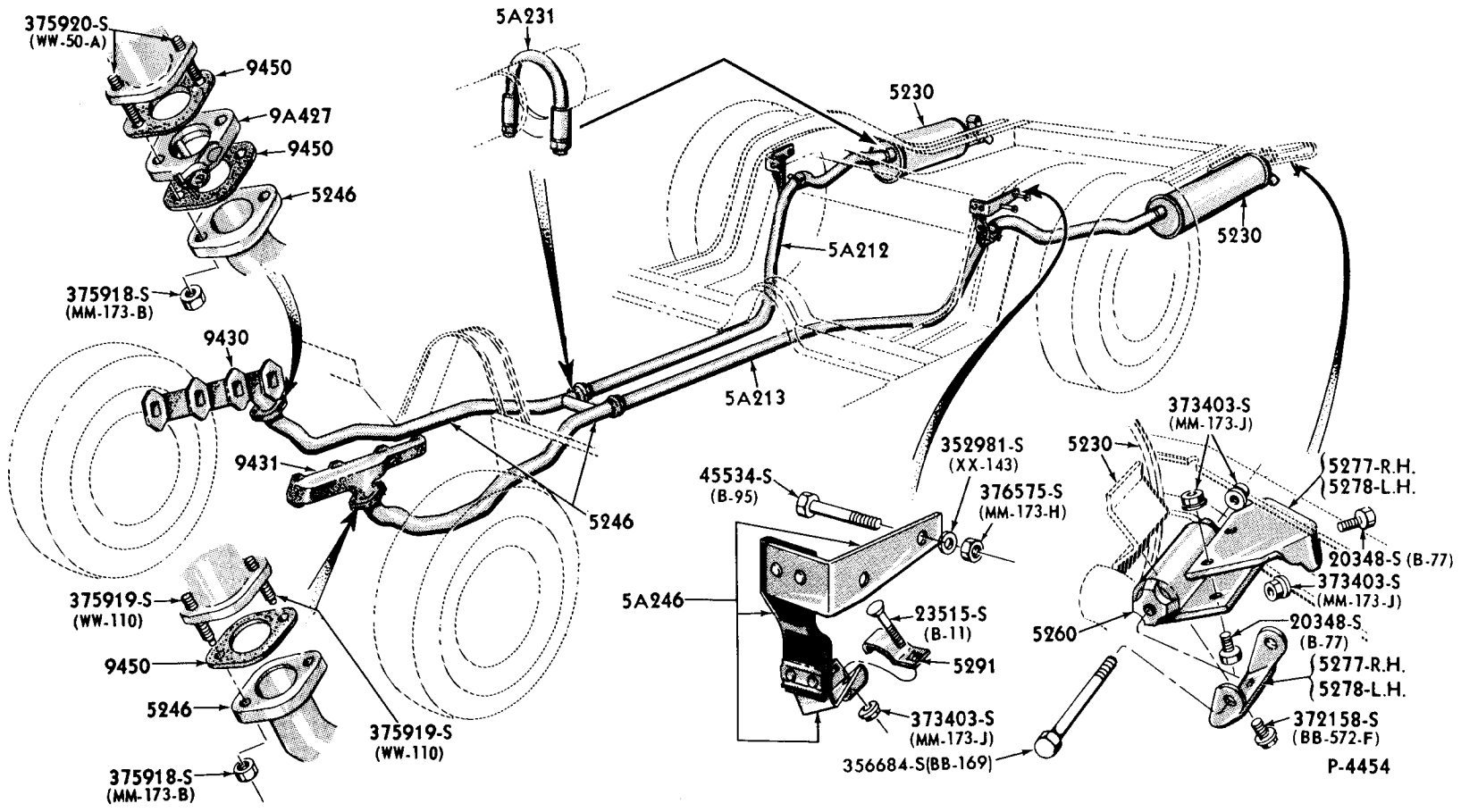


P-3219

1963 EXHAUST SYSTEM - SINGLE (THUNDERBIRD) - 8 CYLINDER 390-4V ENGINE

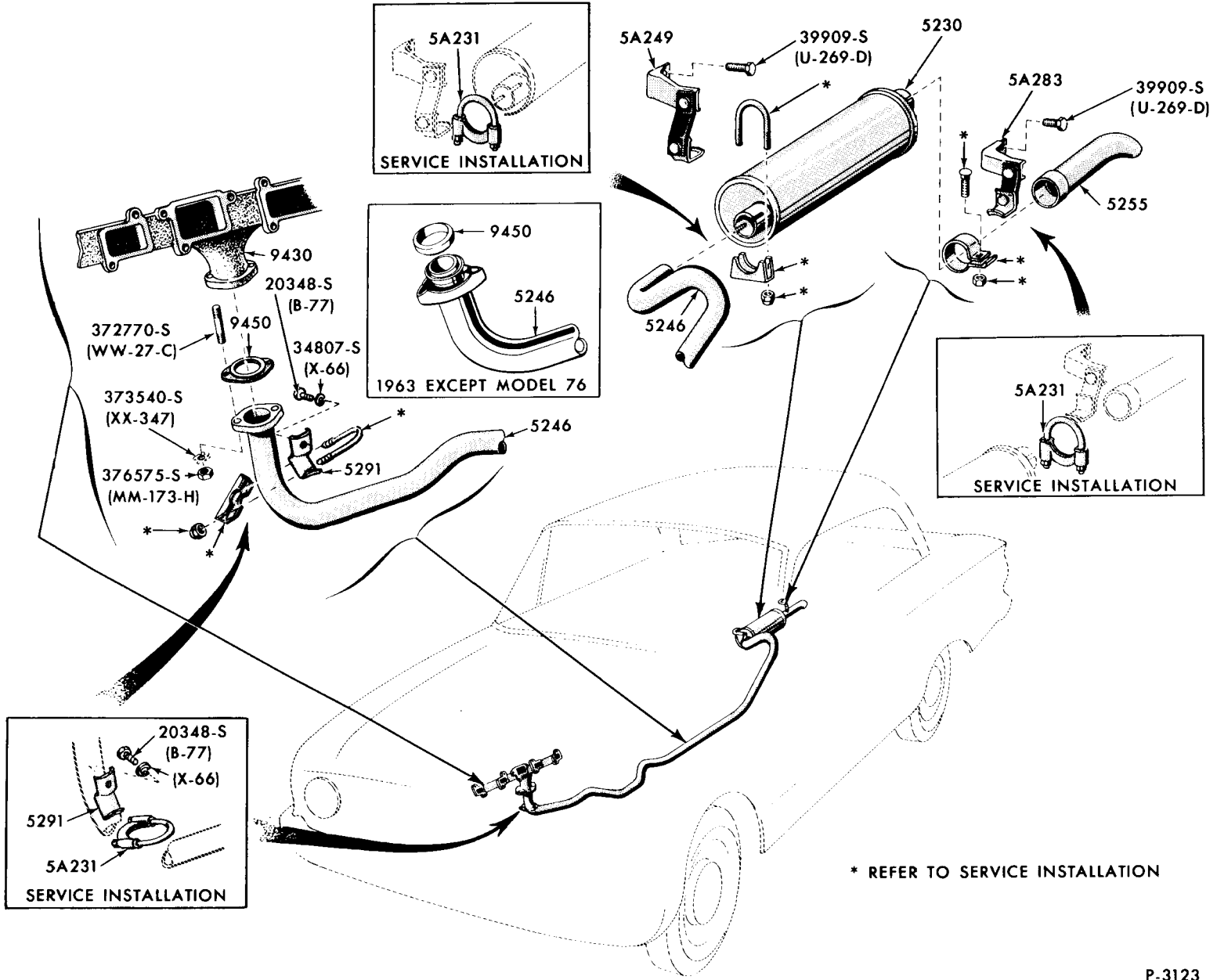


1968 EXHAUST SYSTEM - DUAL (THUNDERBIRD - 8 CYLINDER 390-6V ENGINE)



FORD CAR PARTS

ILLUSTRATION SECTION 52



20348-S (B-77)
X-66

5291

5A231

SERVICE INSTALLATION

5A231

SERVICE INSTALLATION

9450

5246

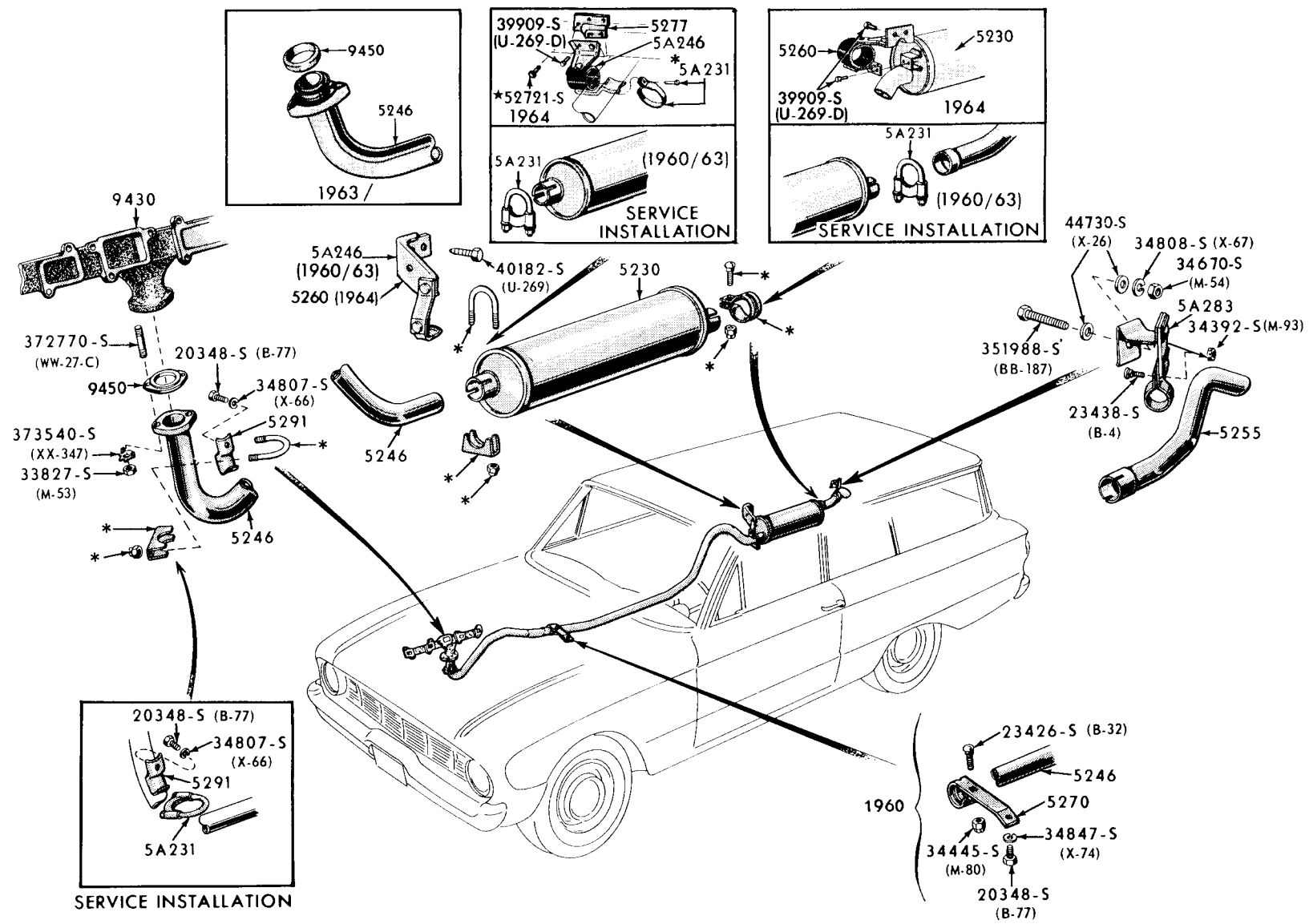
1963 EXCEPT MODEL 76

5A231

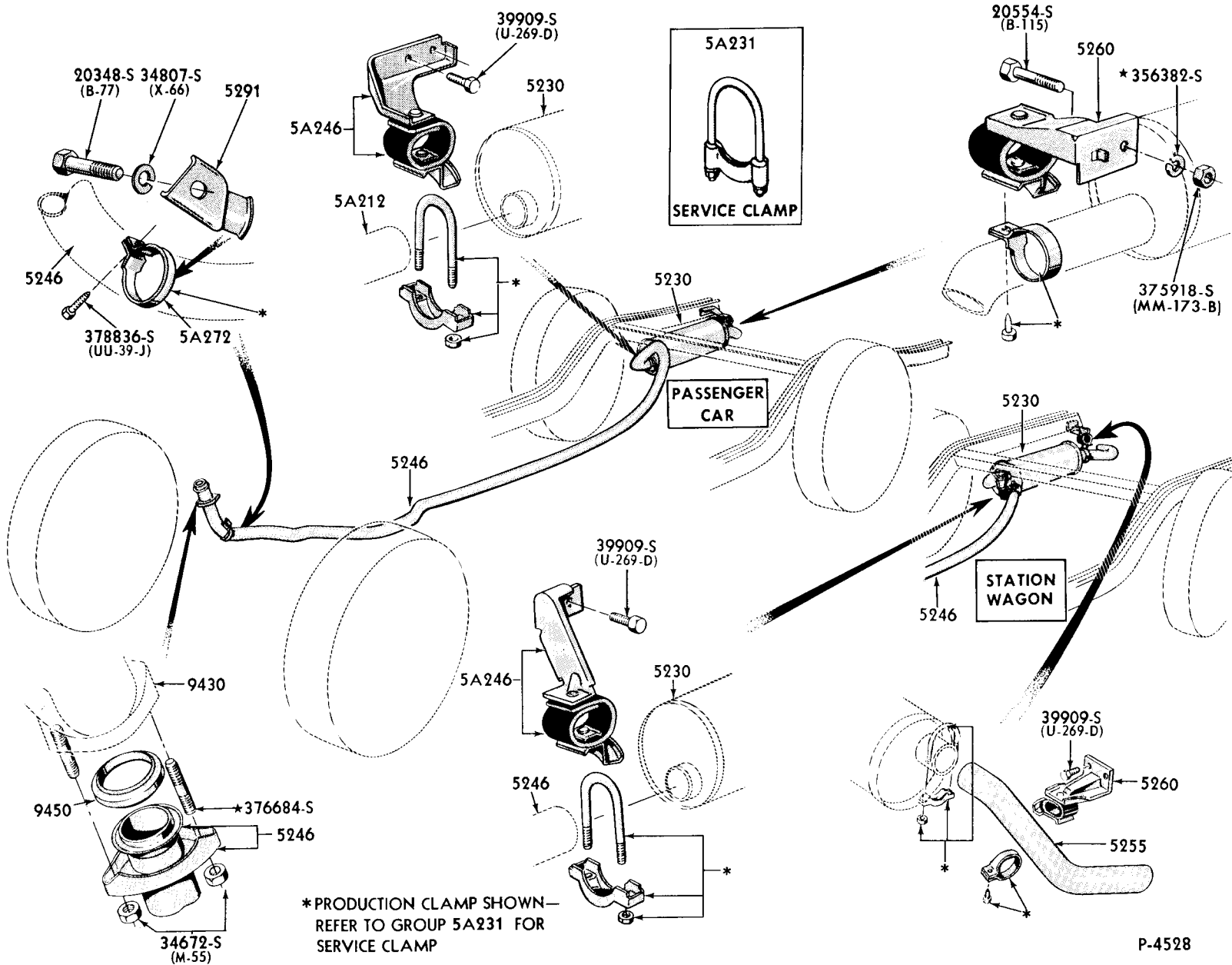
SERVICE INSTALLATION

* REFER TO SERVICE INSTALLATION

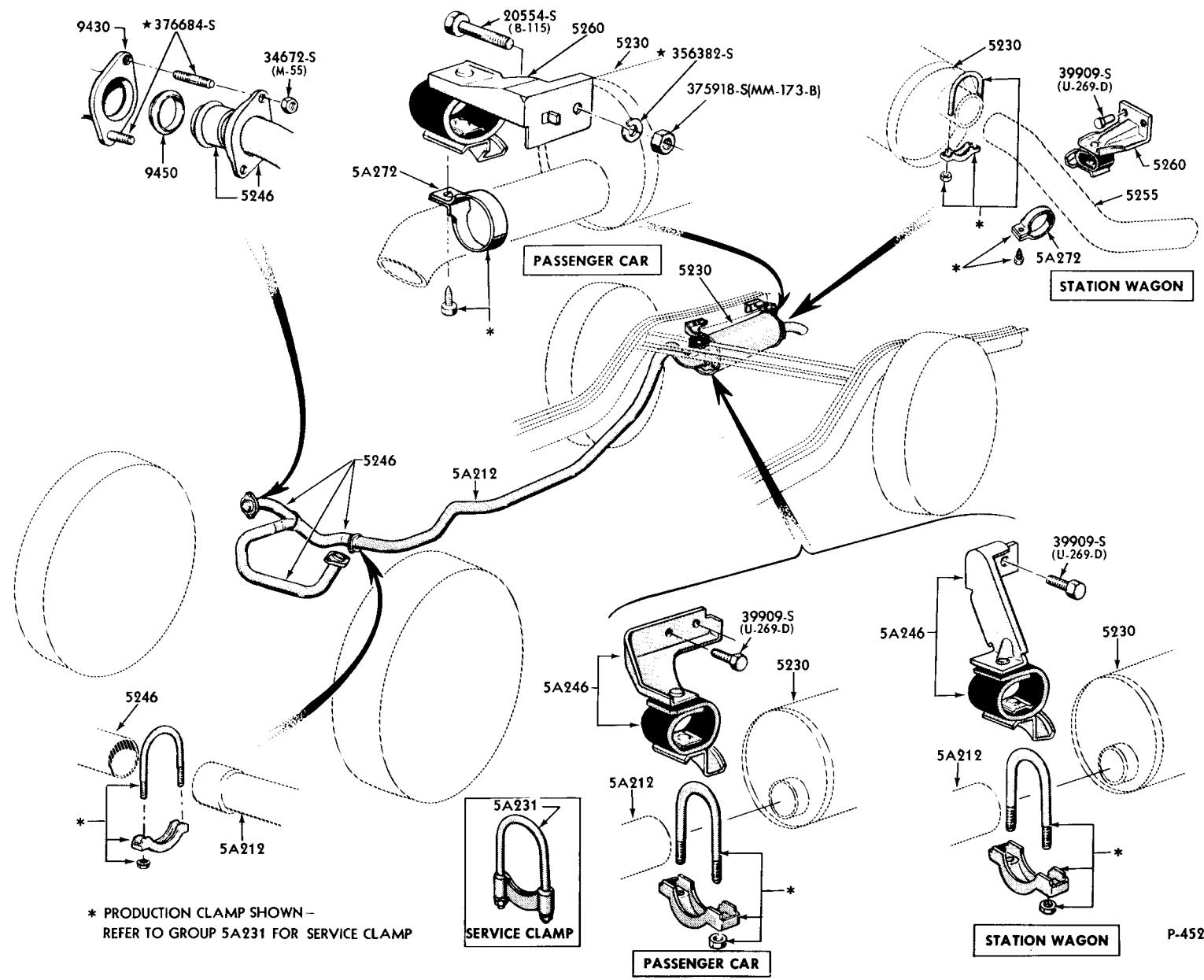
1960/63 EXHAUST SYSTEM (FALCON STATION WAGON & RANCHERO)-TYPICAL



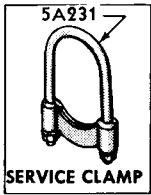
* REFER TO SERVICE CLAMP INSTALLATION P-3223



1964 EXHAUST SYSTEM-SINGLE (FALCON 8 CYLINDER)



* PRODUCTION CLAMP - REFER TO GROUP 5A231 FOR SERVICE CLAMP

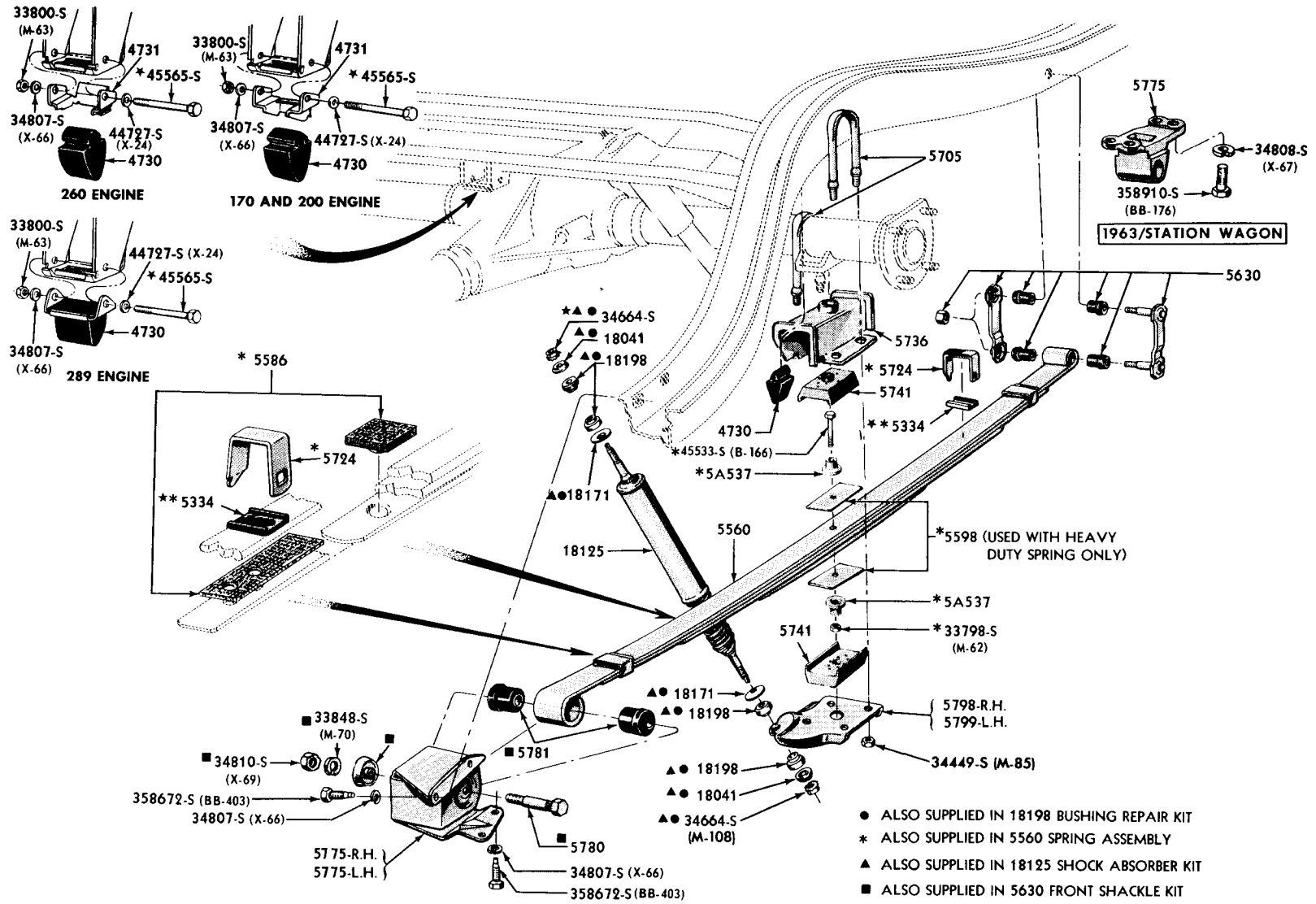


PASSENGER CAR

STATION WAGON

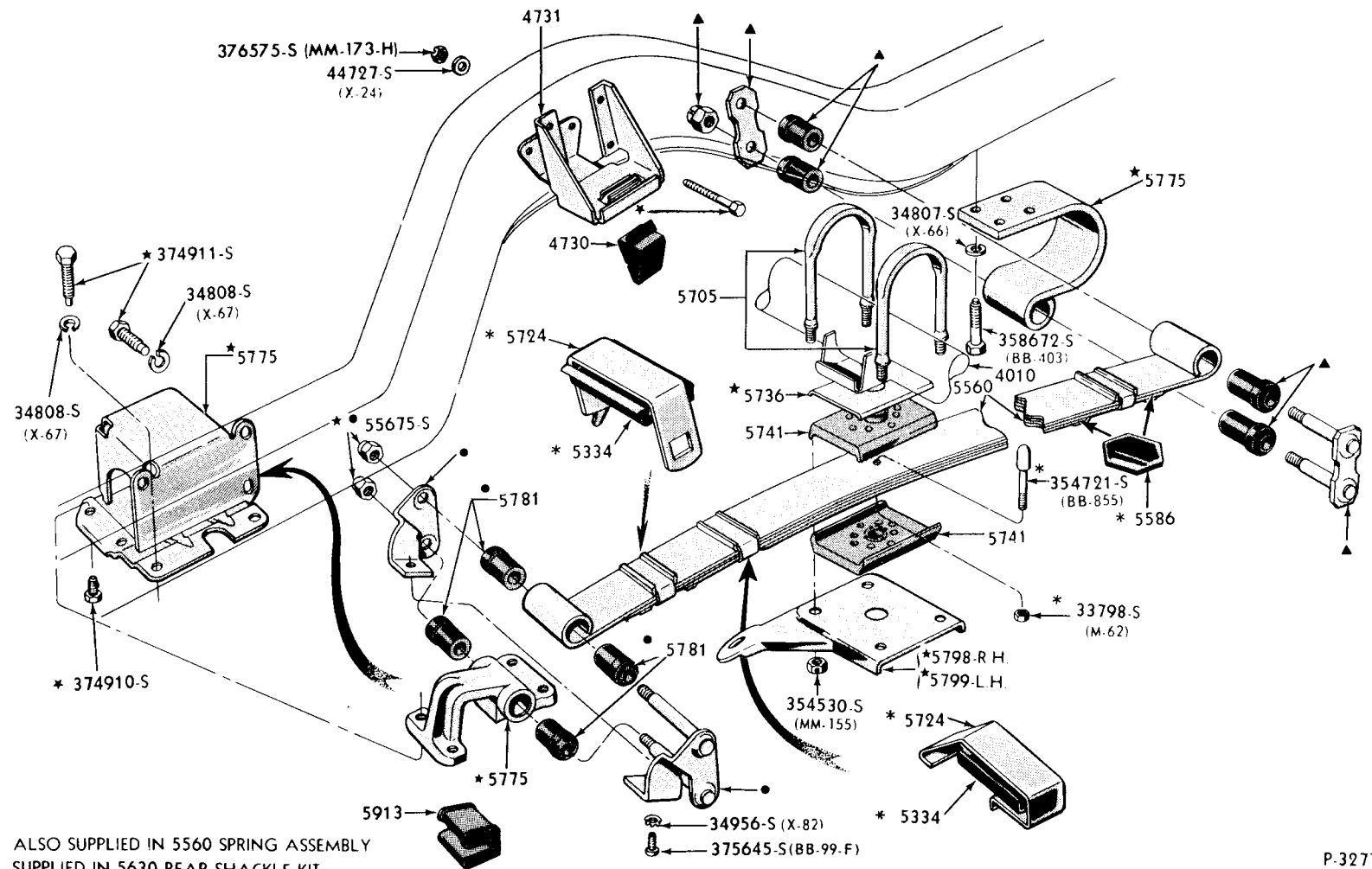
P-4529

1962 / REAR SUSPENSION (FAIRLANE)



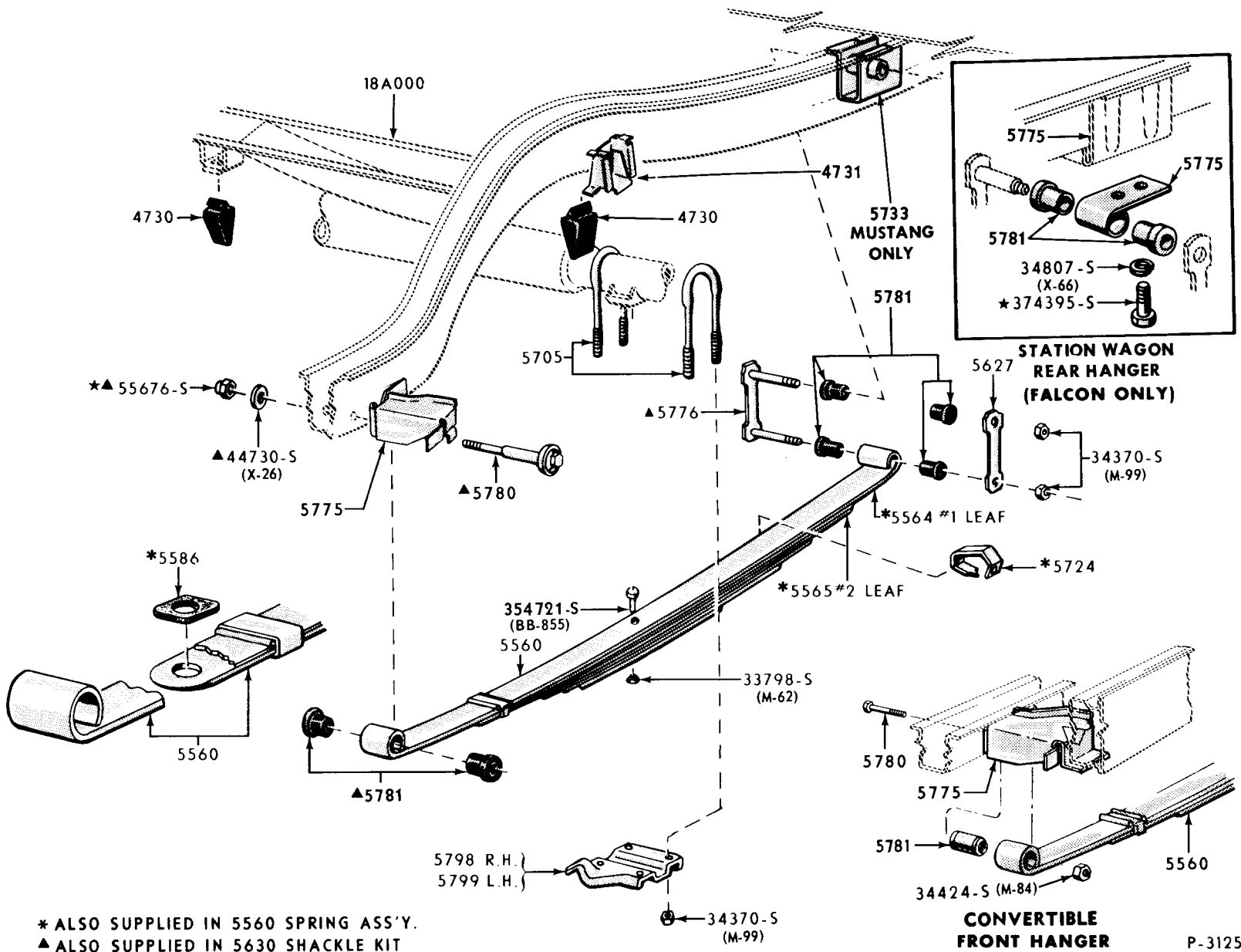
- ALSO SUPPLIED IN 18198 BUSHING REPAIR KIT
- * ALSO SUPPLIED IN 5560 SPRING ASSEMBLY
- ▲ ALSO SUPPLIED IN 18125 SHOCK ABSORBER KIT
- ALSO SUPPLIED IN 5630 FRONT SHACKLE KIT

1961 REAR SUSPENSION (THUNDERBIRD)



- * ALSO SUPPLIED IN 5560 SPRING ASSEMBLY
- ▲ SUPPLIED IN 5630 REAR SHACKLE KIT
- SUPPLIED IN 5630 FRONT SHACKLE KIT

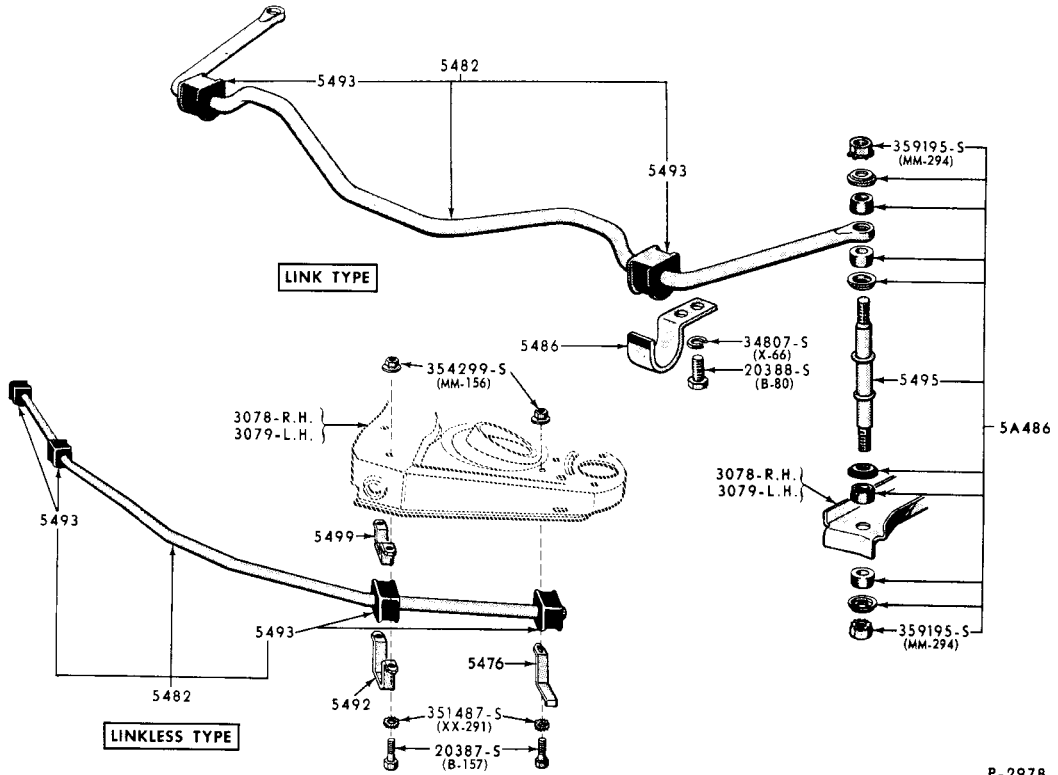
P-3277



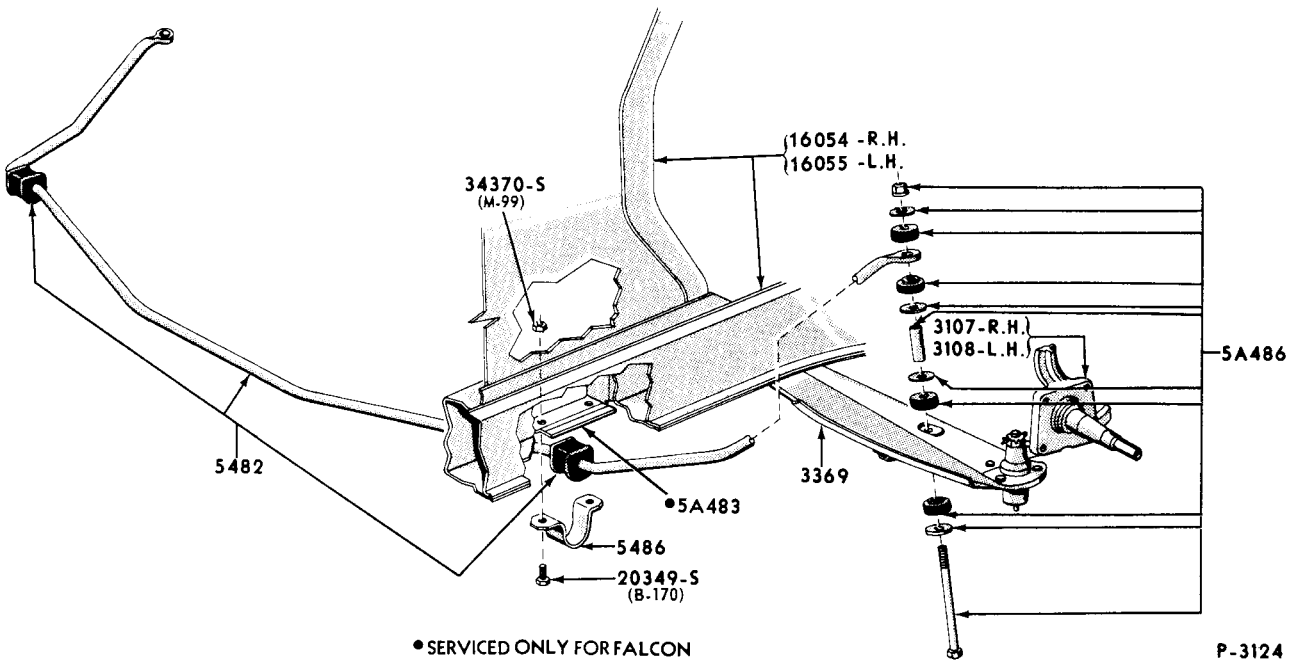
* ALSO SUPPLIED IN 5560 SPRING ASS'Y.
 ▲ ALSO SUPPLIED IN 5630 SHACKLE KIT

CONVERTIBLE FRONT HANGER

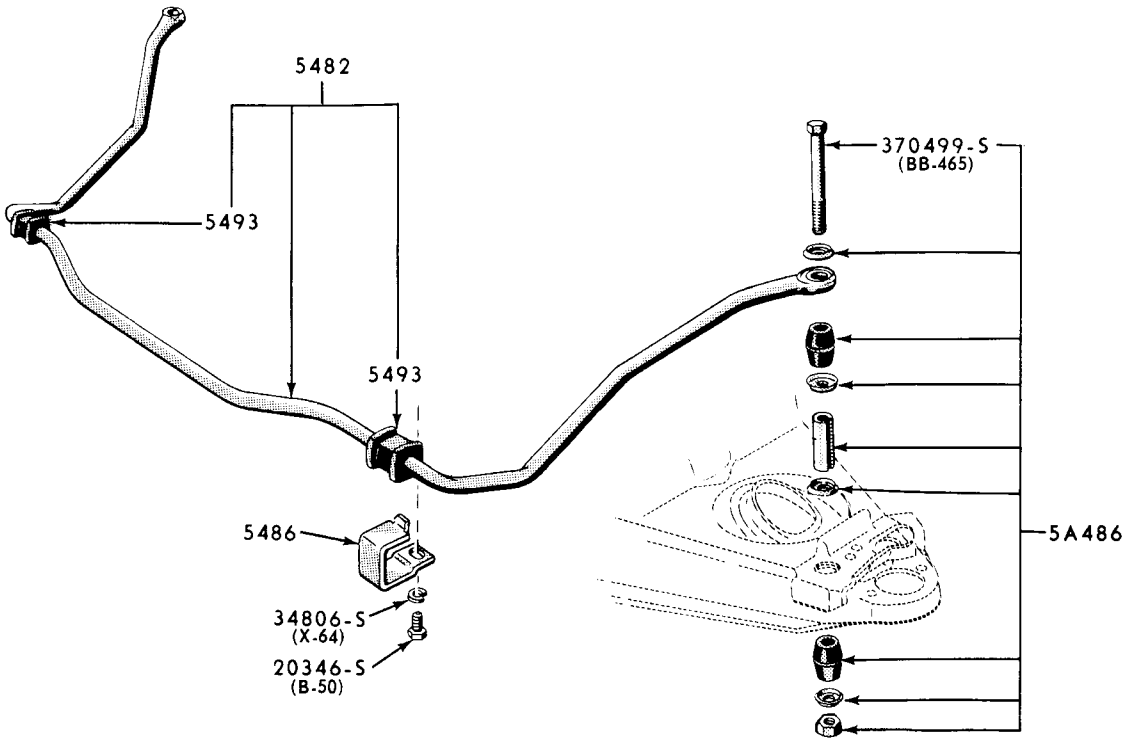
P-3125



1960/64 STABILIZER (FORD)

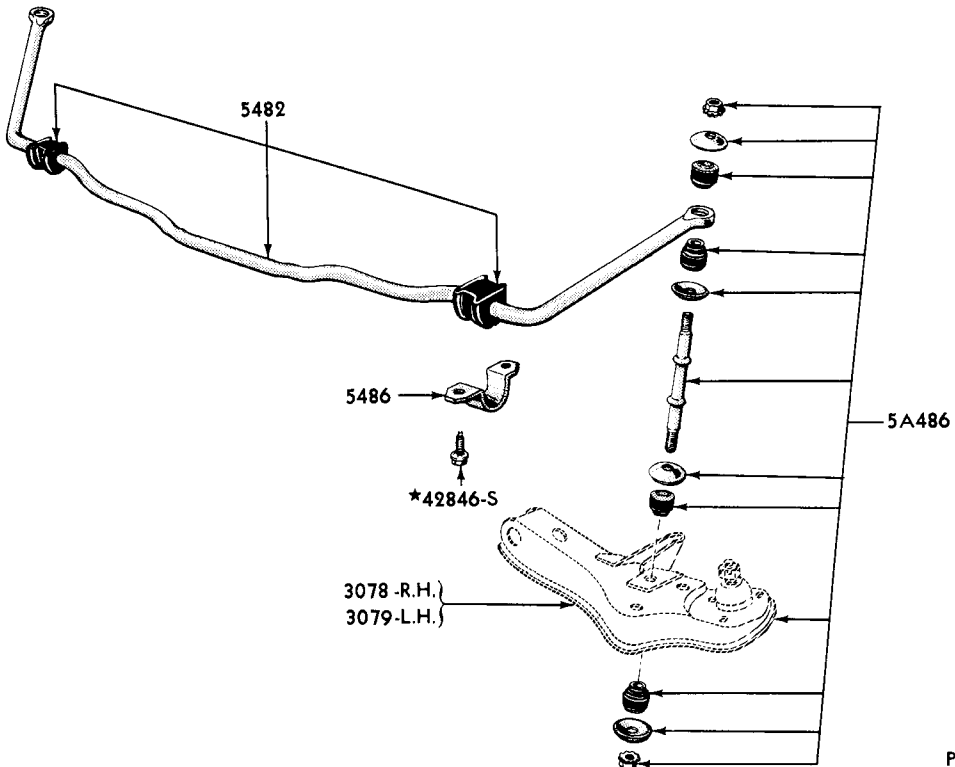


1960/ STABILIZER (FAIRLANE, FALCON)-TYPICAL



P-3092

1960 STABILIZER (THUNDERBIRD)-TYPICAL



P-3275

1961/ STABILIZER BAR (THUNDERBIRD)

INDEX

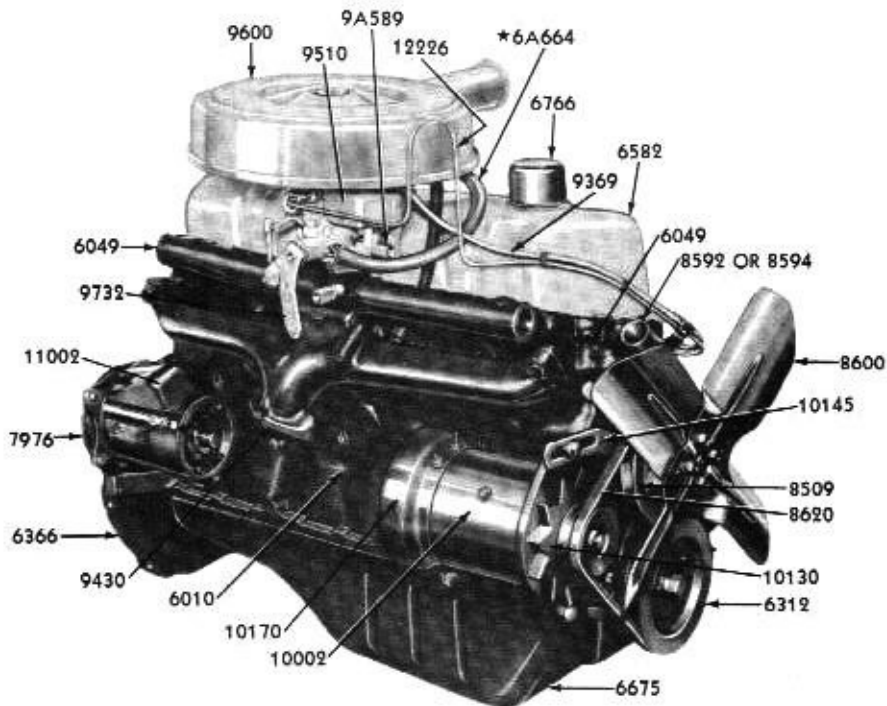
INCLUDED IN THIS INDEX ARE THE FOLLOWING MAJOR GROUPS IN THE ORDER SHOWN BELOW,

CAMSHAFT CRANKCASE VENT SYSTEM CRANKSHAFT and FLYWHEEL CYLINDER BLOCK and RELATED PARTS CYLINDER HEAD, VALVES and EXHAUST MANIFOLD ENGINE	ENGINE SUPPORTS OIL FILTER OIL PUMP and PAN PISTON and CONNECTING ROD VALVES, PUSH RODS and COVERS
--	--

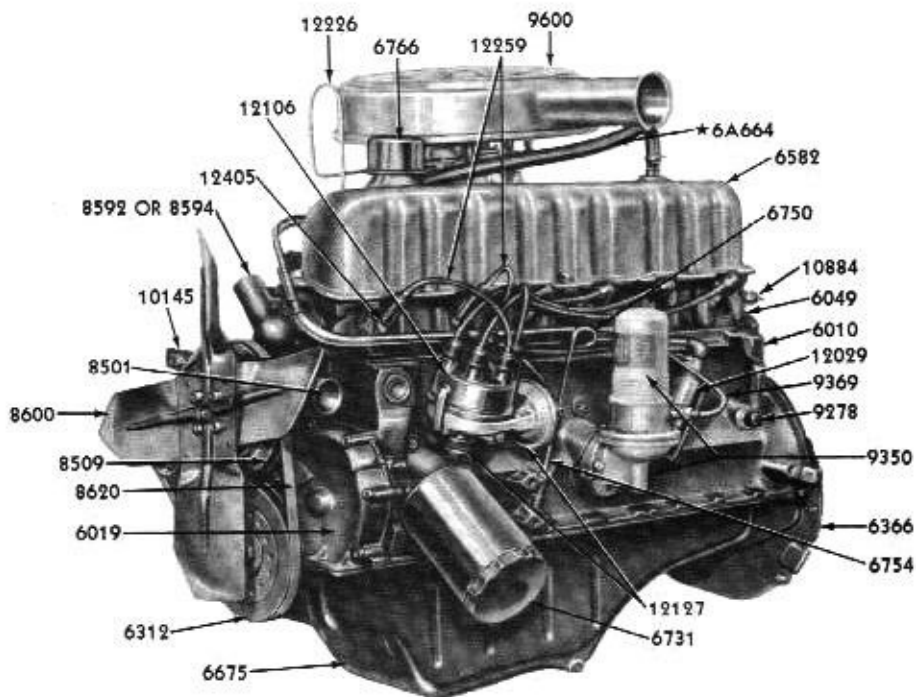
YEAR	TITLE	ILLUS. NO.	SECTION	PAGE
CAMSHAFT				
1960/	Camshaft, Gear, Bearings, etc.(6 Cylinder 144,170,200 Engines)-Typical	P-2964	62	168
1960/64	Camshaft, Gear, Bearings, etc.(6 Cylinder 223 Engine)	P-1646	62	169
1962/	Camshaft, Gear, Bearings, etc.(8 Cylinder 221,260,289 Engines)-Typical	P-3733	62	171
1960/62	Camshaft, Gear, Bearings, etc. (8 Cylinder 292 Engine)- Typical	P-1601	62	169
1960/62	Camshaft, Gear, Bearings, etc.(8 Cylinder 352,390,406 Engines)-Typical	P-2489	62	172
1963/	Camshaft, Gear, Bearing, etc.(8 Cylinder 352,390,406,427 Engines)-Typical	P-4878	62	170
1960	Camshaft, Gear, Bearings, etc.(8 Cylinder 430 Engine)-Thunderbird	P-2828	62	173
CRANKCASE VENT SYSTEM				
1961/63	Crankcase Vent System (6 Cylinder 144,170,200,223 Engines)- Typical	P-3481	66	192
1963	Crankcase Vent System-Air Cleaner Type-Emission Reduction(6 Cyl.144,170,200,223 Engines)	P-4106	66	193
1963/	Crankcase Vent System-Emission Reduction(6 Cylinder 144,170,200,223 Engines)	P-4389	66	194
1961/62	Crankcase Vent System (8 Cylinder 292,352,390 Engines)- Typical	P-3482	66	195
1962/	Crankcase Vent System-Intake Manifold Type-Emission Reduction(8 Cyl.221,260,289 Engines)	P-4146	66	196
1964/	Crankcase Vent System-Rocker Arm Cover Type-Emission Reduction & Hot Idle Compensator (8 Cylinder 260,289 Engines)	P-4592	66	196
1962/	Crankcase Vent System-Emission Reduction(8 Cylinder 352,390,406,427 Engines)- Typical	P-4107	66	197
1964/	Crankcase Vent System-Emission Reduction(6 Cylinder 144,170,200,223 & 8 Cylinder 260,289,352,390,427 Engines)	P-4575	66	198
CRANKSHAFT and FLYWHEEL				
1960/	Crankshaft, Flywheel & Related Parts (6 Cylinder 144,170 Engines)-Typical	P-2965	63	174
1963/64	Crankshaft, Flywheel & Related Parts (6 Cylinder 200 Engine)	P-2965	63	174
1960/64	Crankshaft, Flywheel & Related Parts (6 Cylinder 223 Engine)-Typical	P-1250	63	174
1962/	Crankshaft, Flywheel & Related Parts (8 Cylinder 221,260,289 Engines)-Typical	P-3734	63	175
1960/62	Crankshaft, Flywheel & Related Parts (8 Cylinder 292 Engine)-Typical	P-1865	63	176
1960/	Crankshaft, Flywheel & Related Parts (8 Cylinder 352,390,406,427 Engines)-Typical	P-2488	63	177
1960	Crankshaft, Flywheel & Related Parts (8 Cylinder 430 Engine)-Thunderbird	P-2827	63	178
CYLINDER BLOCK and RELATED PARTS				
1960/	Cylinder Block & Related Parts (6 Cylinder 144,170,200 Engines)-Typical	P-3088	60	146
1960/64	Cylinder Block & Related Parts (6 Cylinder 223 Engine)-Typical	P-1647	60	148
1960	Cylinder Block, Plugs & Seals (8 Cylinder 430 Engine)- Thunderbird-Typical	P-2742	60	157
1962/	Cylinder Block & Related Parts (8 Cylinder 221,260,289 Engines)-Typical	P-3767	60	150
1960/62	Cylinder Block & Related Parts (8 Cylinder 292 Engine)-Typical	P-1870	60	152
1960/	Cylinder Block & Related Parts (8 Cylinder 352,390,406,427 Engines)-Typical	P-2881	60	154
1960	Cylinder Block & Related Parts (8 Cylinder 430 Engine)-Thunderbird	P-2824	60	156
CYLINDER HEAD, VALVES and EXHAUST MANIFOLD				
1962/	Cylinder Head, Valves, Exhaust Manifolds (8 Cylinder 221,260,289 Engines)-Typical	P-3727	60	167
1960	Cylinder Head, Valves, Exhaust Manifolds (8 Cylinder 430 Engine)-Thunderbird	P-2823	60	167

INDEX

YEAR	TITLE	ILLUS. NO.	SECTION	PAGE
ENGINE				
1960/	Engines (6 Cylinder 144, 170, 200)-Typical	P-4832	60	145
1960/64	Engine (6 Cylinder 223)	P-1644	60	147
1962/	Engines (8 Cylinder 221, 260)-Typical	P-3721	60	149
1963/	Engine (8 Cylinder 289)-Typical	P-4830	60	158
1960/62	Engine (8 Cylinder 292)-Typical	P-2232	60	151
1960/	Engines (8 Cylinder 352, 390, 406, 427)-Typical	P-4831	60	153
1960	Engine (8 Cylinder 430)	P-2820	60	155
ENGINE SUPPORTS				
1960/62	Engine Supports-Rear-Typical	P-2998	60	159
1960/	Engine Supports-Front (6 Cylinder 144, 170, 200 Engines)-Falcon-Typical	P-3617	60	159
1960/64	Engine Supports-Front (6 Cylinder 223)	P-1639	60	162
1962/	Engine Supports-Front & Rear (6 Cylinder 170, 200 Engines)-Fairlane-Typical	P-3672	60	161
1960/64	Engine Supports-Front (8 Cylinder)	P-1639	60	162
1963/	Engine Supports-Front (8 Cylinder 260, 289 Engines)-Falcon	P-4353	60	162
1960/	Engine Supports-Rear (6 Cylinder 144, 170, 200 & 8 Cylinder 260, 289 Engines)-Falcon-Typical	P-3094	60	160
1963/64	Engine Supports-Front & Rear (6 Cyl.223 & 8 Cyl.289,352,390,406,427 Engines)-Ford-Typical	P-4105	60	164
1962/	Engine Supports-Front & Rear (8 Cylinder 221, 260, 289 Engines)-Fairlane-Typical	P-3673	60	163
1961/	Engine Supports-Front & Rear (8 Cylinder 390 Engine)-Thunderbird-Typical	P-3396	60	165
1960	Engine Supports-Front & Rear (8 Cylinder 430)-Thunderbird-Typical	P-2875	60	166
OIL FILTER				
1960/	Oil Filter & Related Parts (6 Cyl.144,170,200,223 & 8 Cyl. 221,260,289,292,352, 390, 406, 427, 430 Engines)-Typical-Spin on Type	P-2384	66	190
1960/	Oil Filter & Related Parts (6 Cyl.170,200,223 & 8 Cyl.221, 260, 289 Engines)-Typical-Cartridge Type	P-1246	66	190
1960/	Oil Filter & Related Parts (8 Cylinder 352,390,406,427 Engines)-Typical-"Spin On" Type	P-2486	66	191
1960	Oil Filter & Related Parts (8 Cylinder 430 Engine)-Thunderbird-Typical-"Spin On" Type	P-2830	66	191
OIL PUMP and PAN				
1960/	Oil Pump & Related Parts (6 Cylinder 144, 170, 200 Engines)-Typical	P-2963	66	184
1960/61	Oil Pump, Oil Pan & Related Parts (6 Cylinder 223 Engine)	P-1245	66	186
1960/64	Oil Pump-Rotor Type (6 Cylinder 223 Engine)-Typical	P-3552	66	185
1962/	Oil Pump, Oil Pan & Related Parts (8 Cylinder 221,260,289 Engines)-Typical	P-3736	66	186
1960/62	Oil Pump & Related Parts (Rotor Type)(8 Cylinder 292 Engine)	P-1979	66	187
1960/	Oil Pump & Related Parts (8 Cylinder 352,390,406, 427 Engines)-Typical	P-2476	66	188
1960	Oil & Vacuum Pump (8 Cylinder 430 Engine)-Thunderbird-Typical	P-2791	66	189
PISTON and CONNECTING ROD				
1960/	Piston & Connecting Rod (6 Cylinder 144, 170, 200 Engines)-Typical	P-3090	62	168
1960/64	Piston & Connecting Rod (6 Cyl.223 & 8 Cyl.292 Engines)-Typical	P-1645	62	170
1962/	Piston & Connecting Rod (8 Cylinder 221, 260, 289 Engines)-Typical	P-3732	62	171
1960/	Piston & Connecting Rod (8 Cylinder 352, 390, 406, 427 Engines)-Typical	P-2487	62	172
1960	Piston & Connecting Rod (8 Cylinder 430 Engine)-Thunderbird	P-2829	62	173
VALVES, PUSH RODS and COVERS				
1960/61	Valves, Push Rods, Rocker Arm Cover & Related Parts (6 Cylinder 223 Engine)-Typical	P-2093	65	180
1960/	Valves, Push Rods, Rocker Arm Cover & Related Parts (6 Cyl.144,170, 200 Engines)-Typical	P-3089	65	179
1960/64	Valves(Zero Lash), Push Rods, Rocker Arm Cover & Related Parts (6 Cylinder 223 Engine)	P-3255	65	180
1962/	Valves, Push Rods, Rocker Arm Cover & Related Parts(8 Cyl. 221, 260, 289 Engines)-Typical	P-3726	65	179
1960/62	Valves, Push Rods, Rocker Arm Cover & Related Parts (8 Cylinder 292 Engine)-Typical	P-1634	65	181
1960/	Valves, Push Rods, Rocker Arm Cover & Related Parts(8 Cyl. 352,390,406,427 Engines)-Typical	P-2485	65	182
1960	Valves, Push Rods, Rocker Arm Cover & Related Parts (8 Cylinder 430 Engine)-Thunderbird	P-2826	65	183

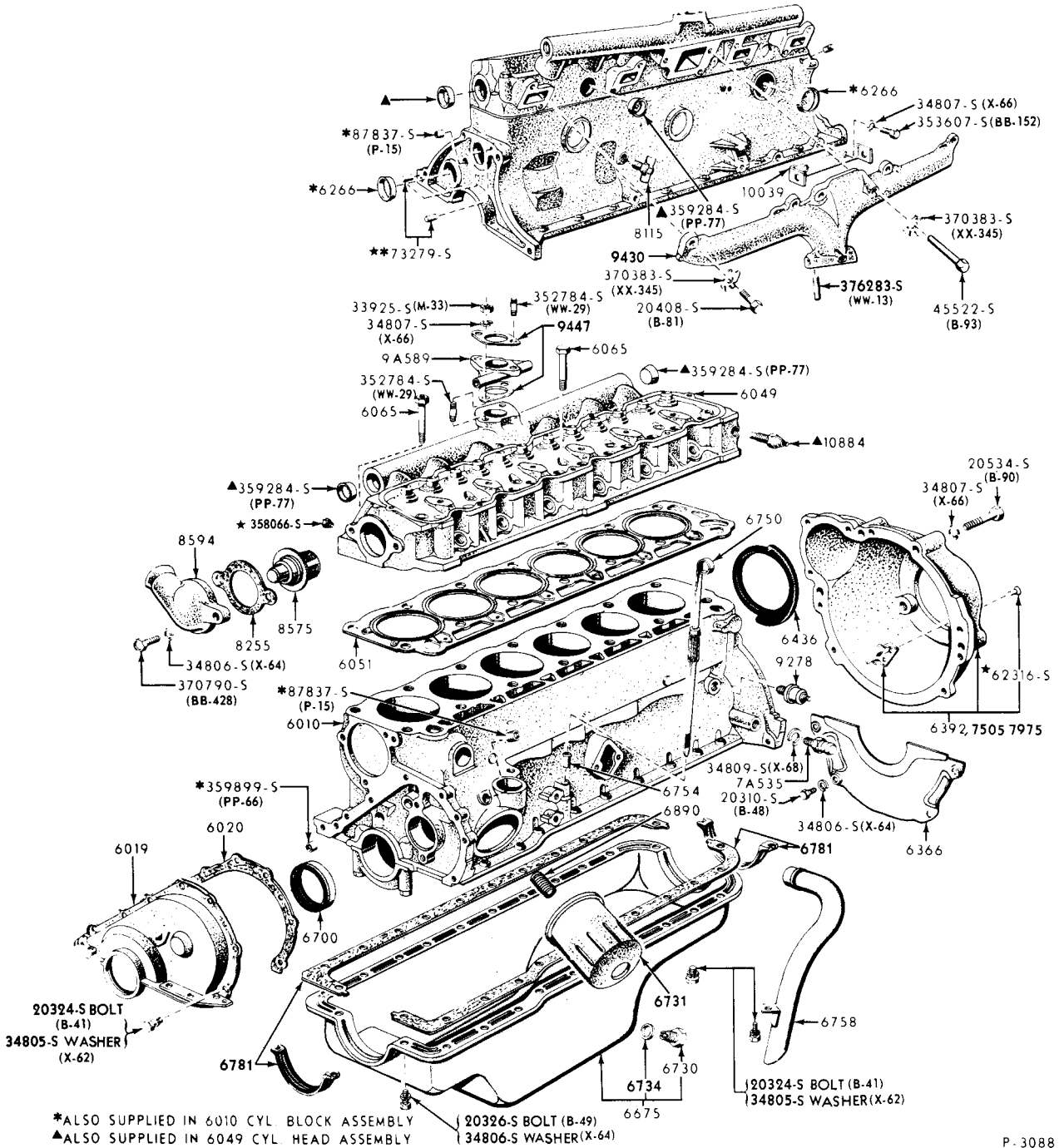


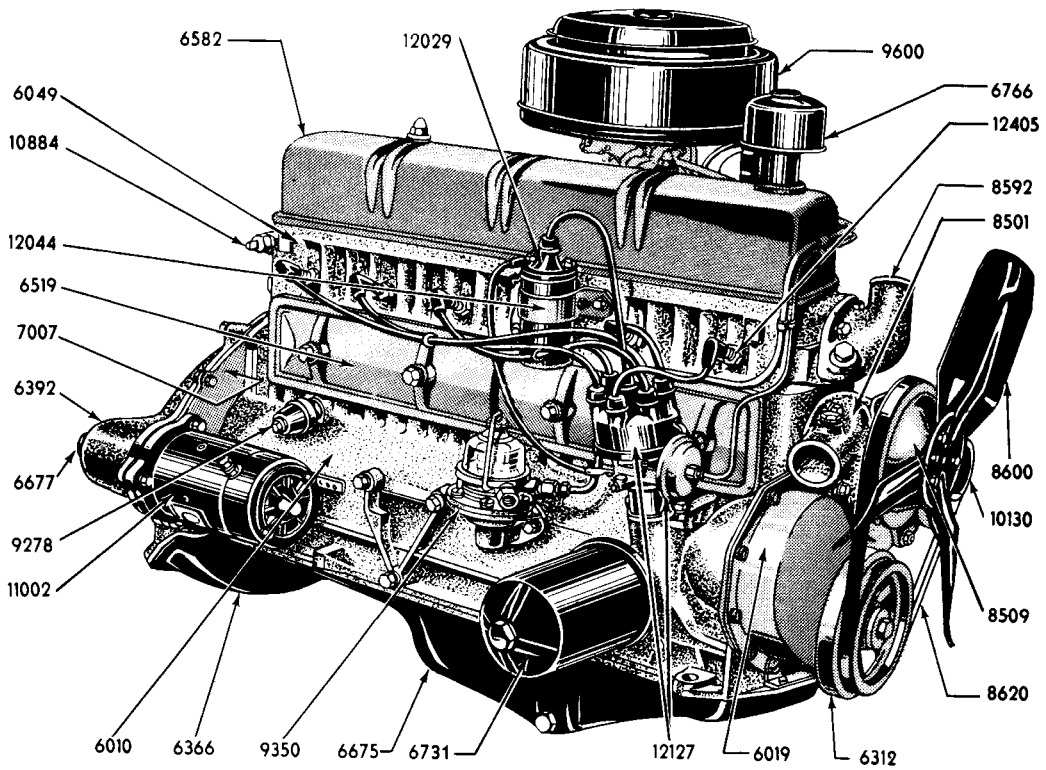
RIGHT-FRONT VIEW



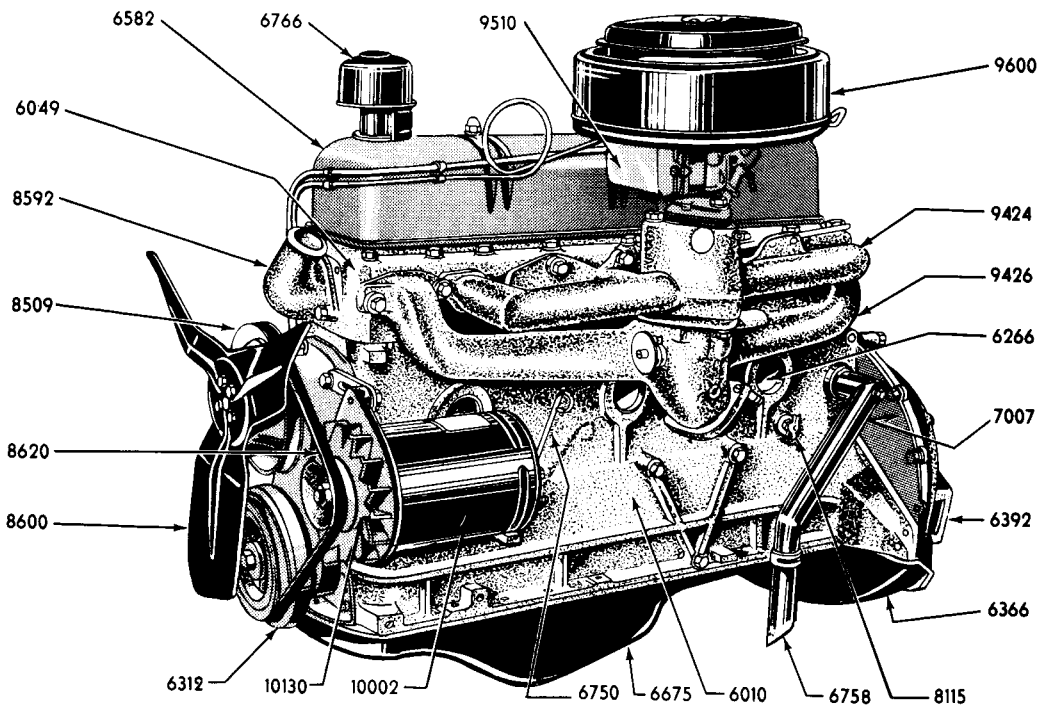
LEFT-FRONT VIEW

P.4832



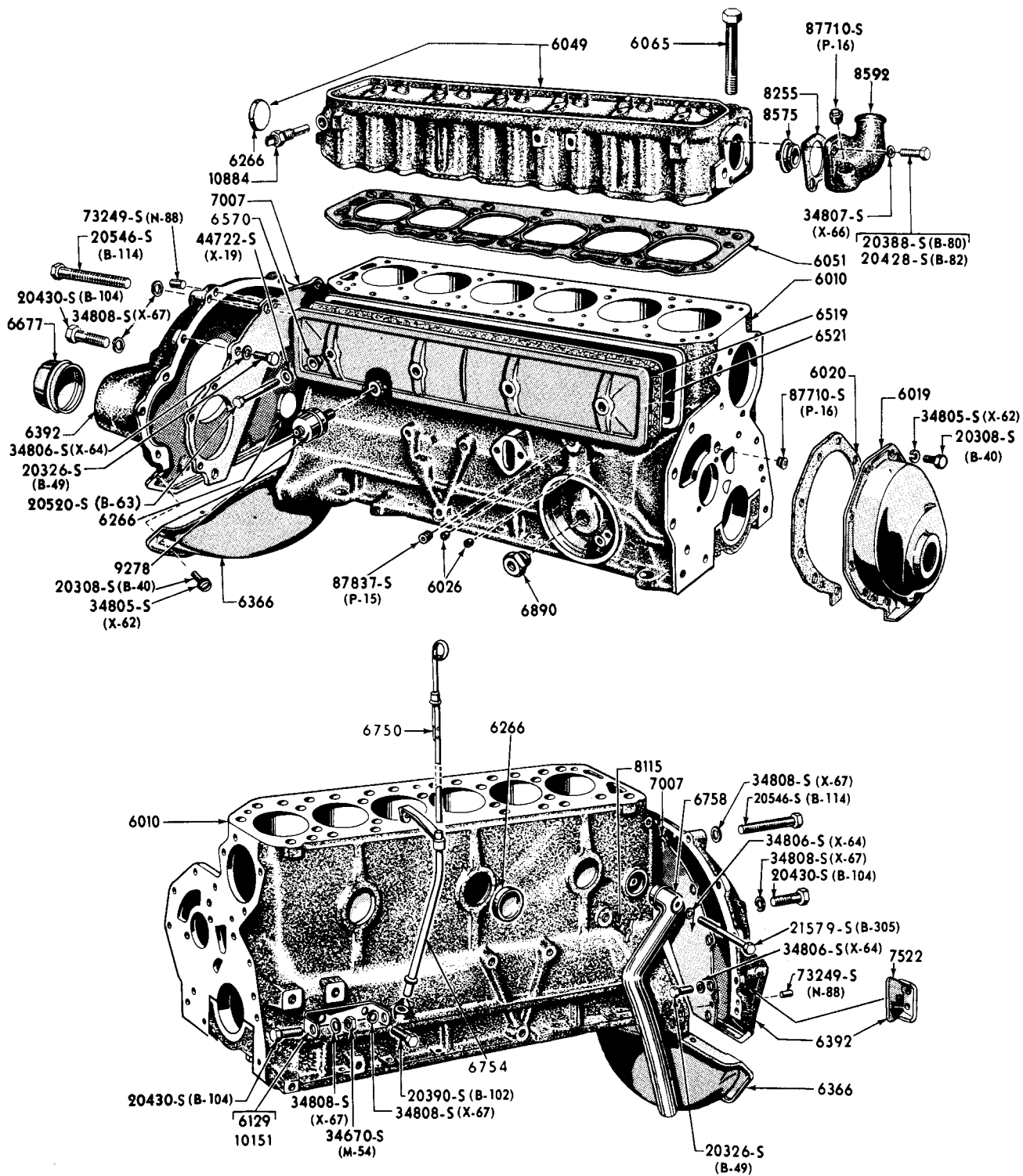


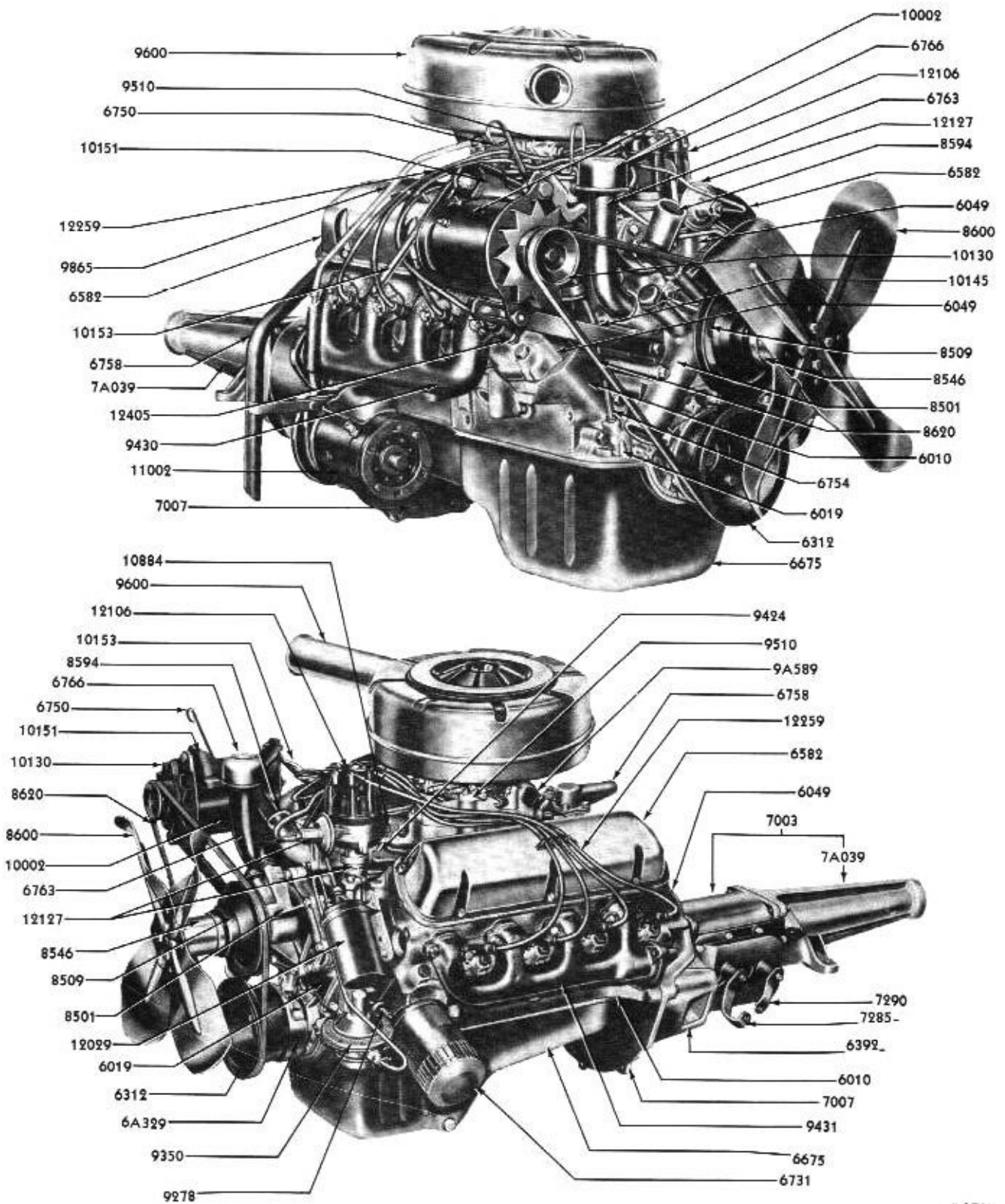
RIGHT HAND VIEW



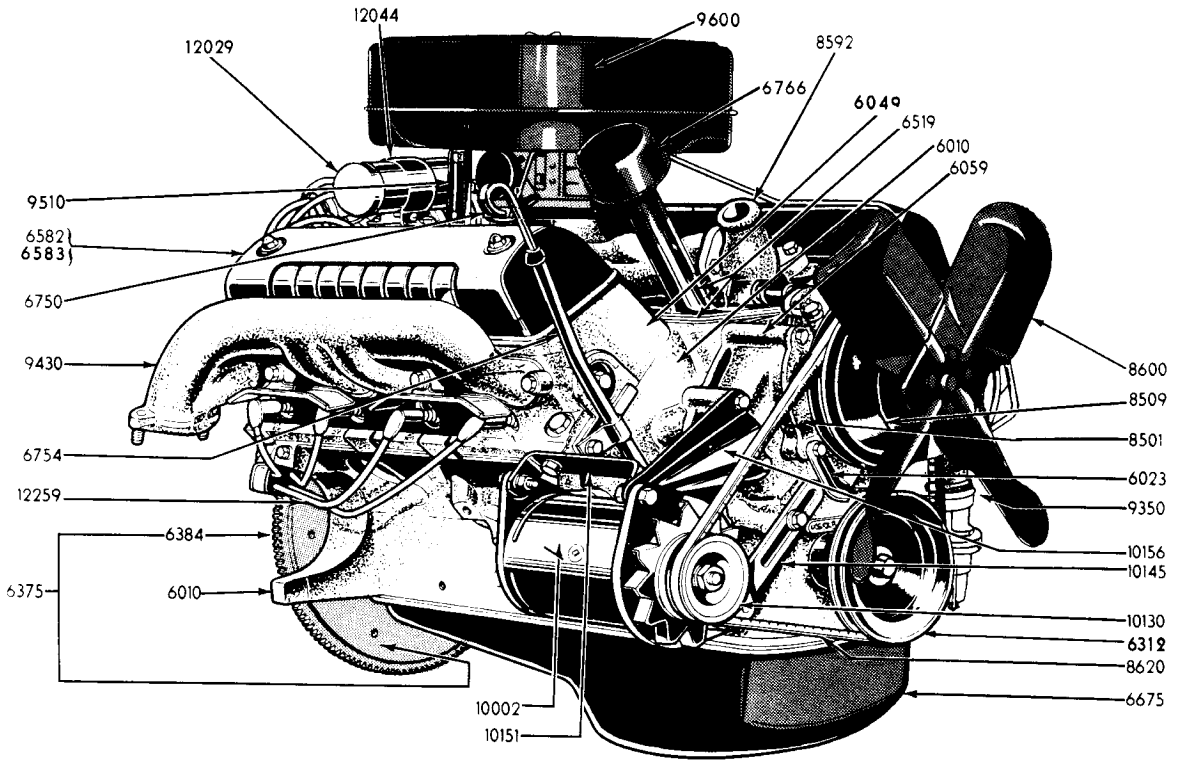
LEFT HAND VIEW

P-1644

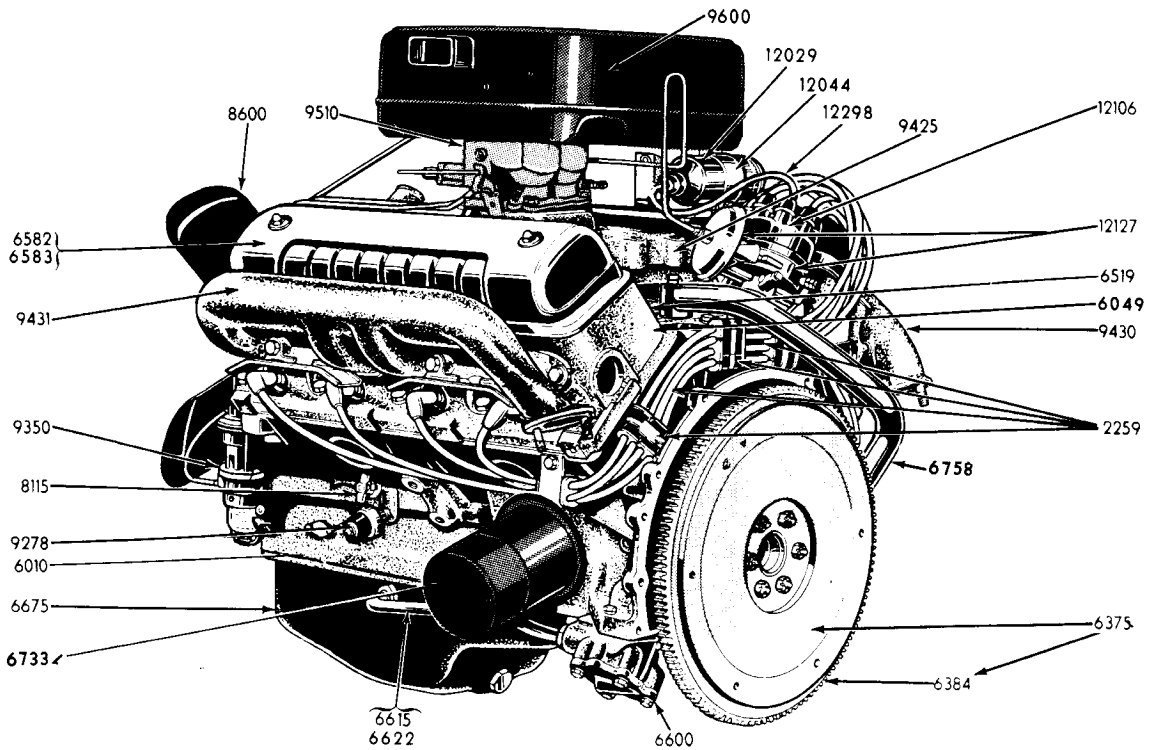




1962/ ENGINES (8 CYLINDER 221, 260)-TYPICAL



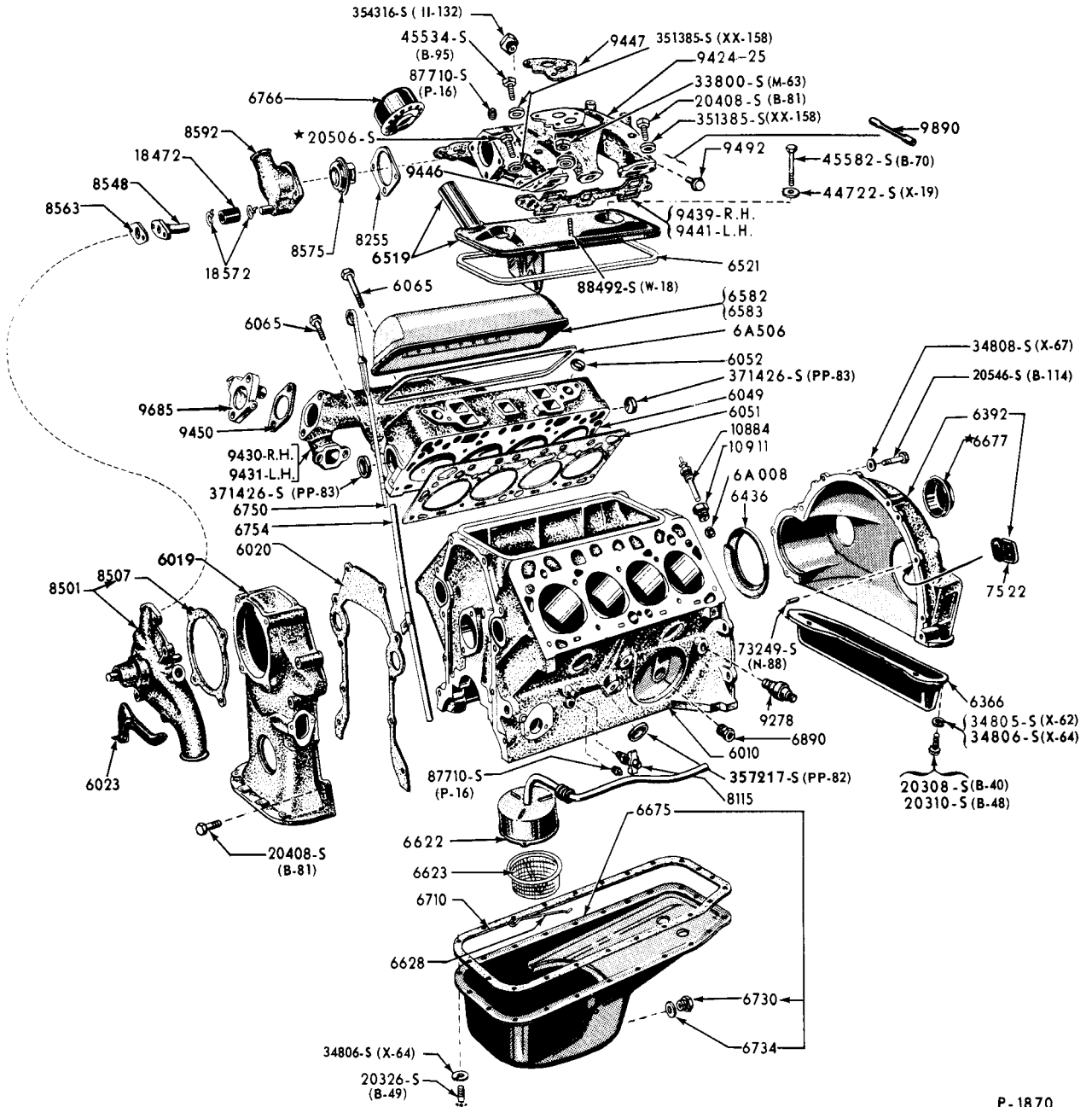
RIGHT HAND VIEW



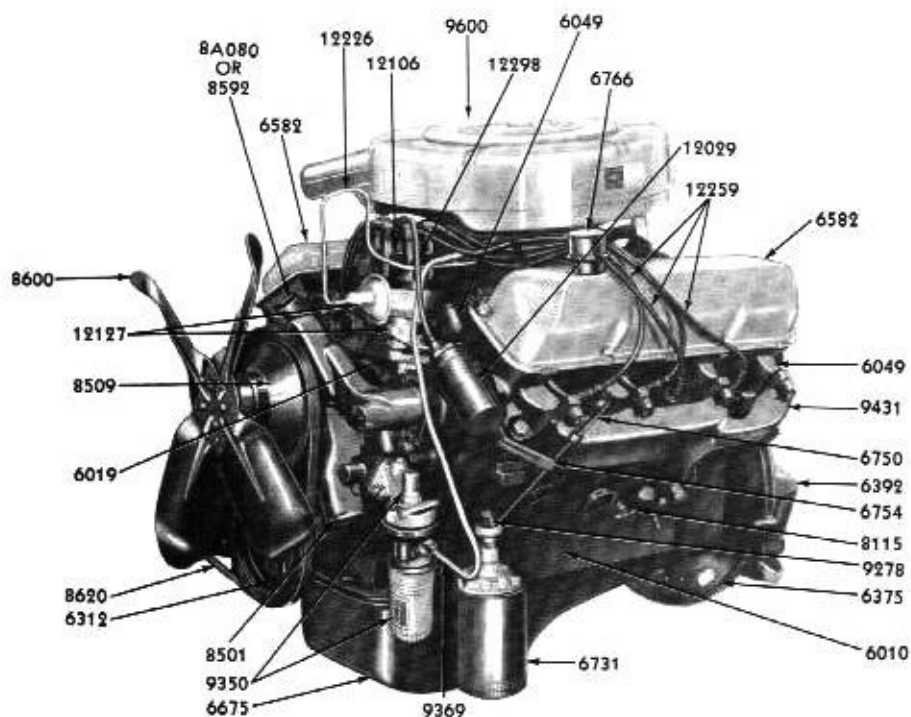
LEFT HAND VIEW

P-2232

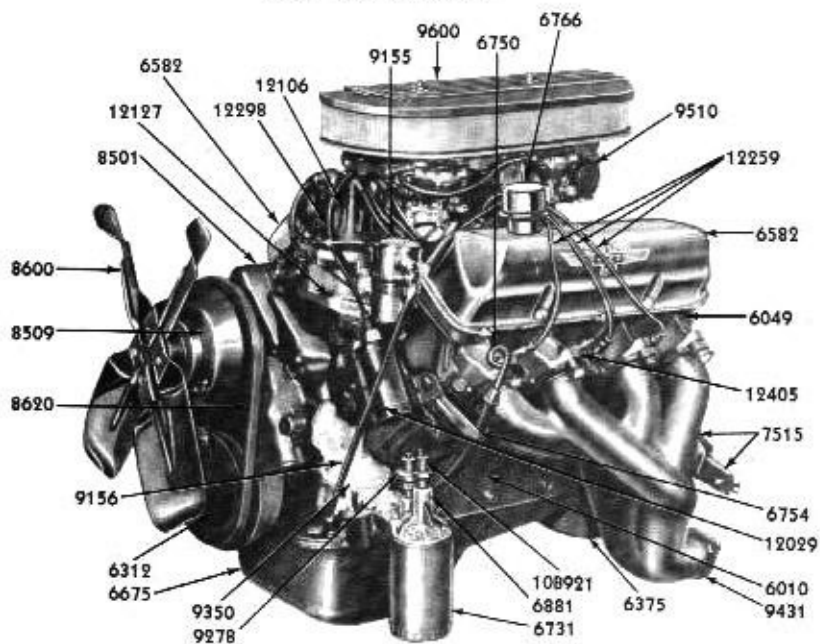
1960/62 ENGINE (8 CYLINDER 292)-TYPICAL



P-1870

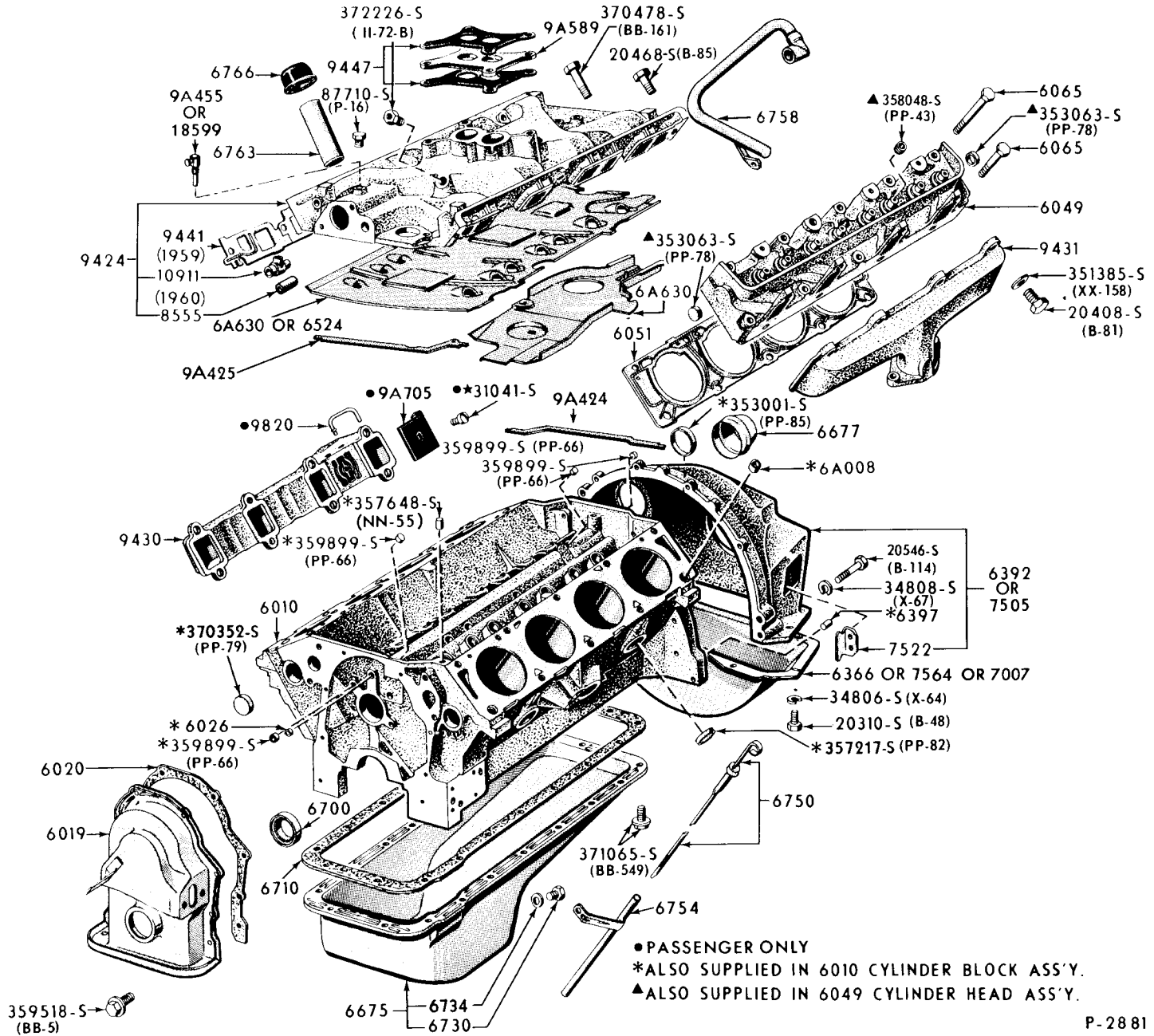


LEFT-FRONT VIEW
(1960/ 352,390.TYPICAL)

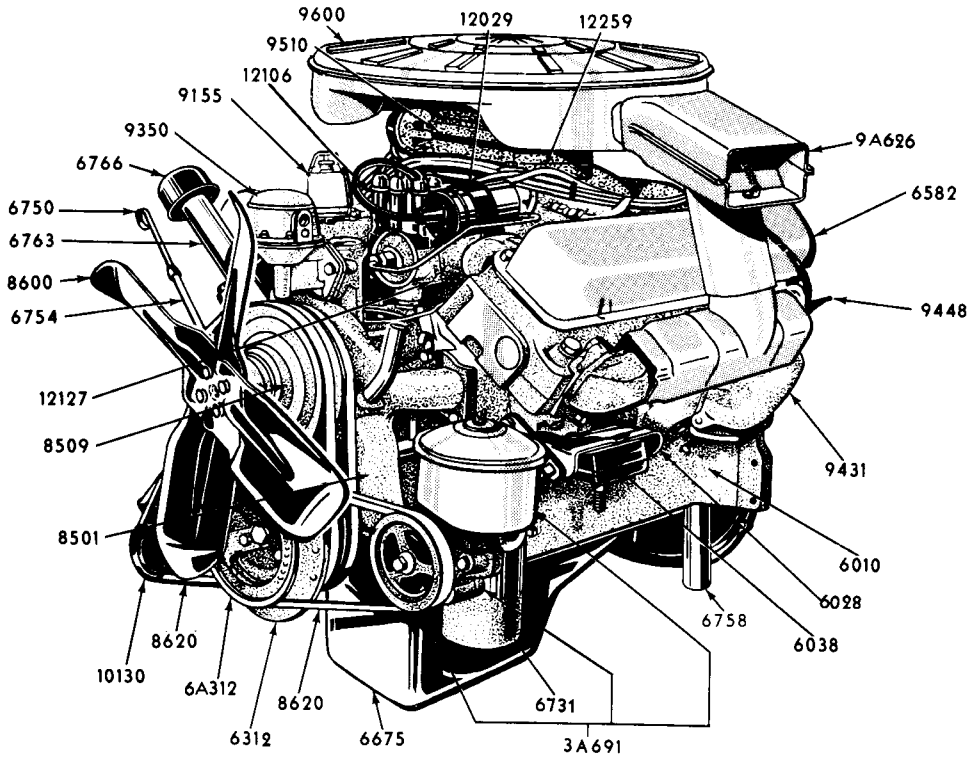


LEFT-FRONT VIEW
(1961/ 352, 390, 406, 427 HI-PERFORMANCE-TYPICAL)

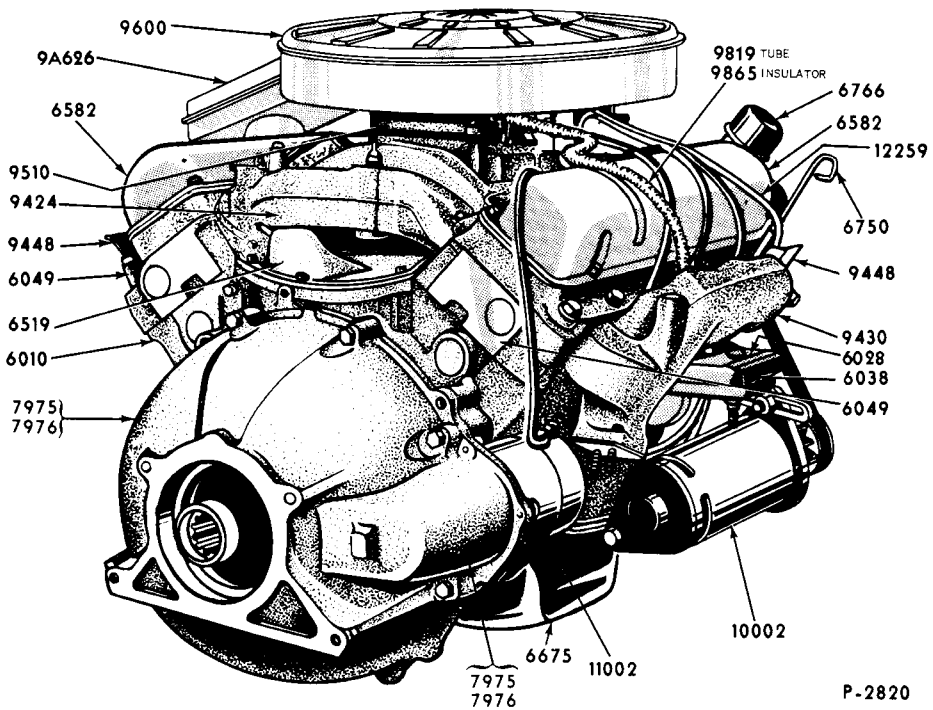
1960 / CYLINDER BLOCK & RELATED PARTS (8 CYLINDER 352, 390, 406, 427 ENGINES) - TYPICAL



● PASSENGER ONLY
 *ALSO SUPPLIED IN 6010 CYLINDER BLOCK ASS'Y.
 ▲ALSO SUPPLIED IN 6049 CYLINDER HEAD ASS'Y.



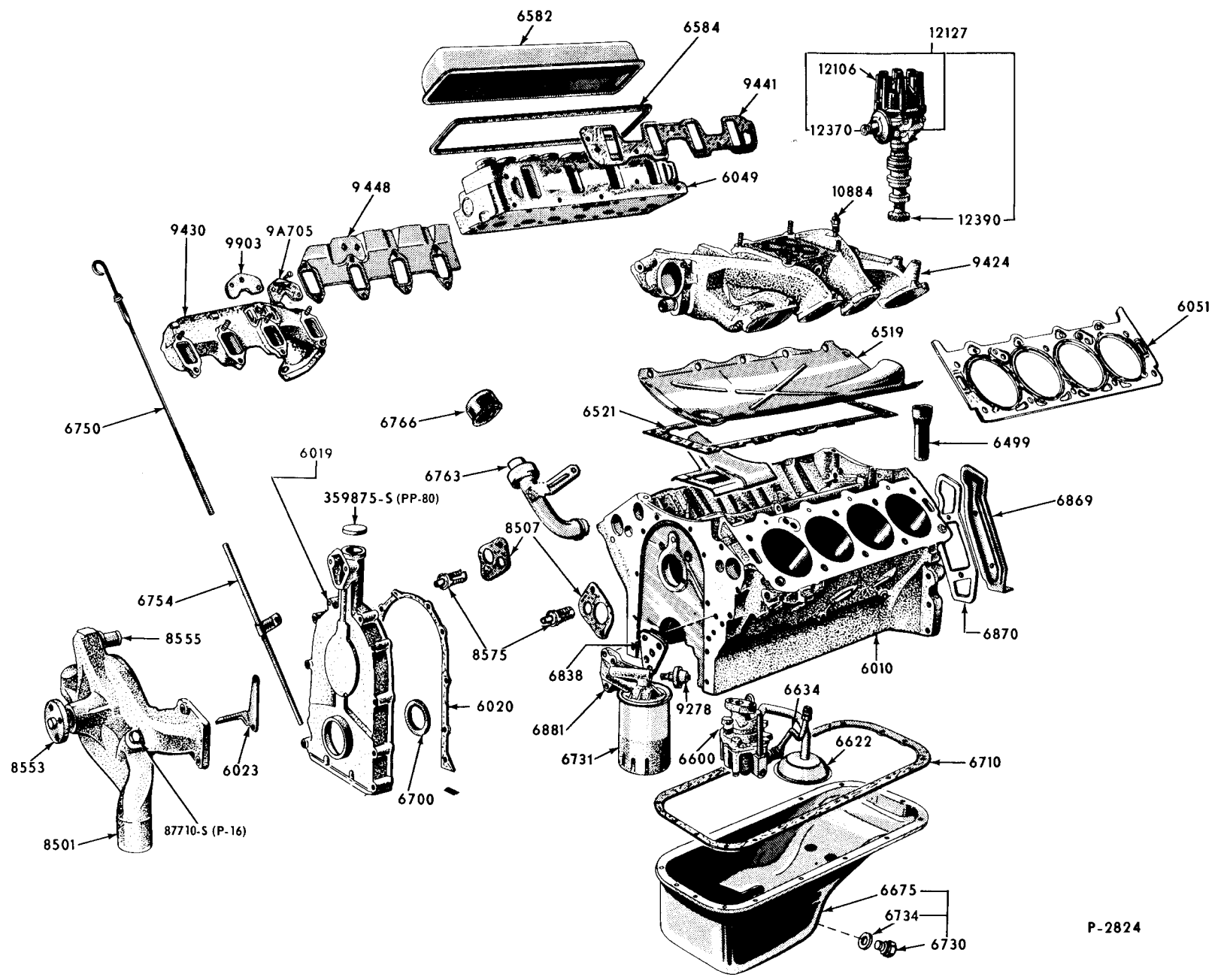
LEFT HAND VIEW

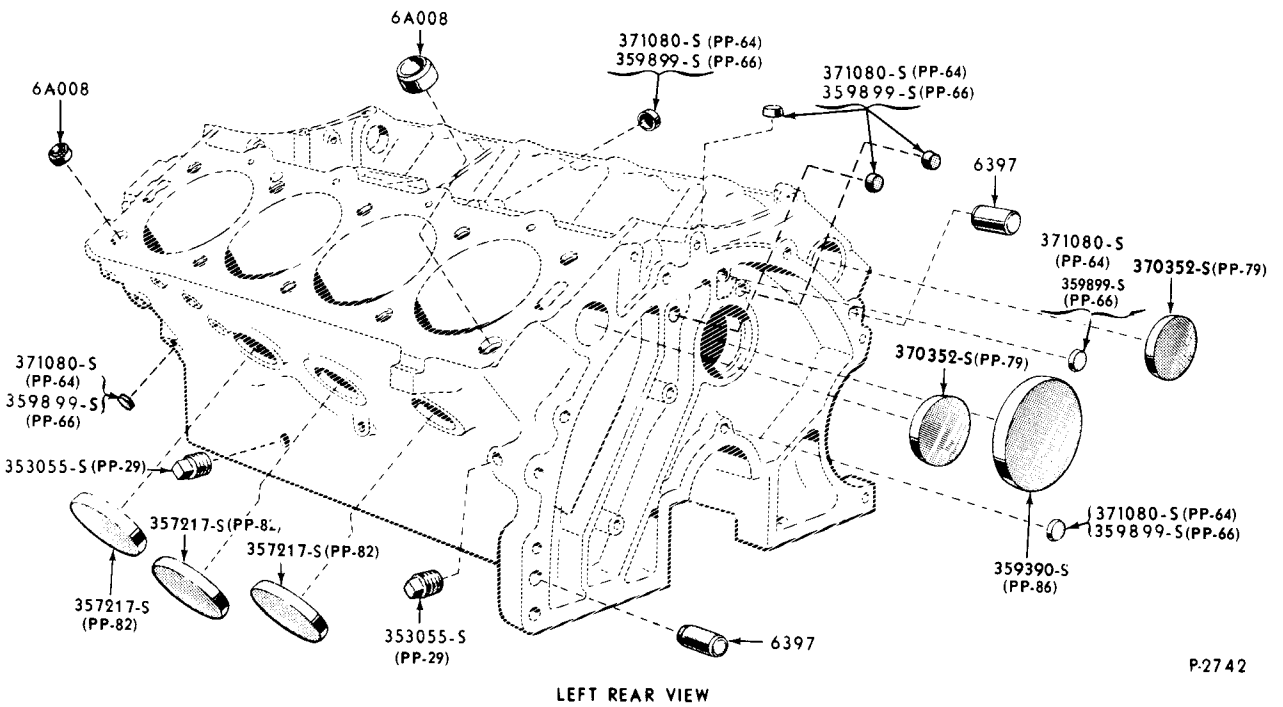
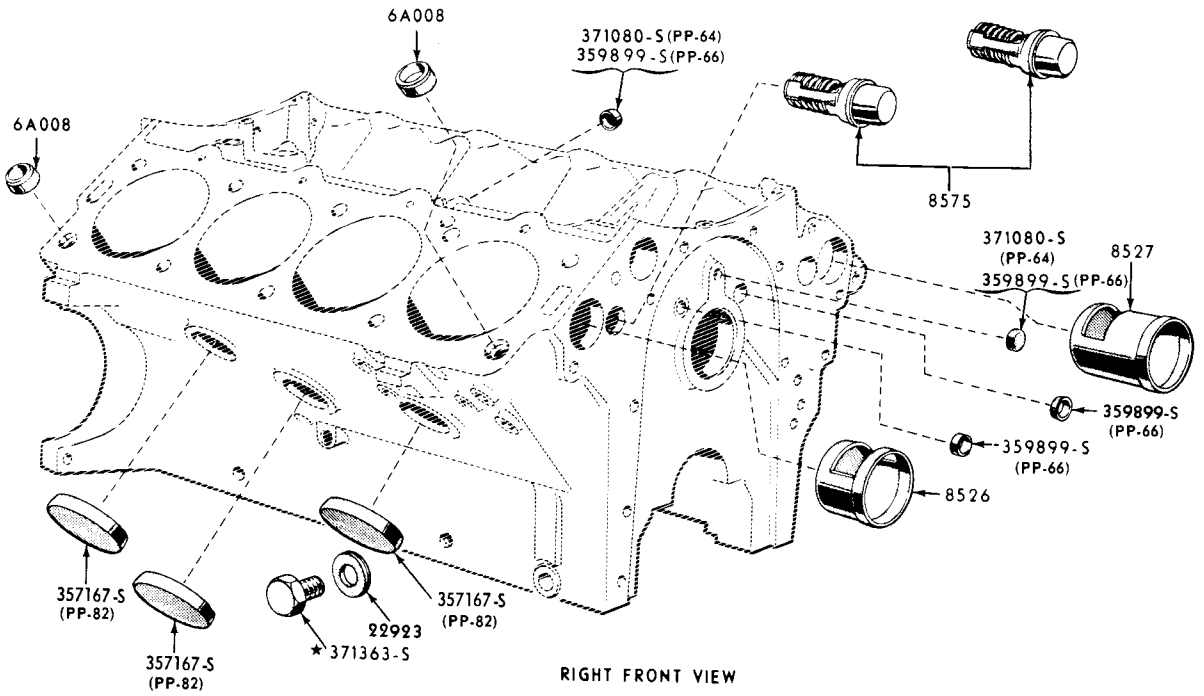


RIGHT HAND VIEW

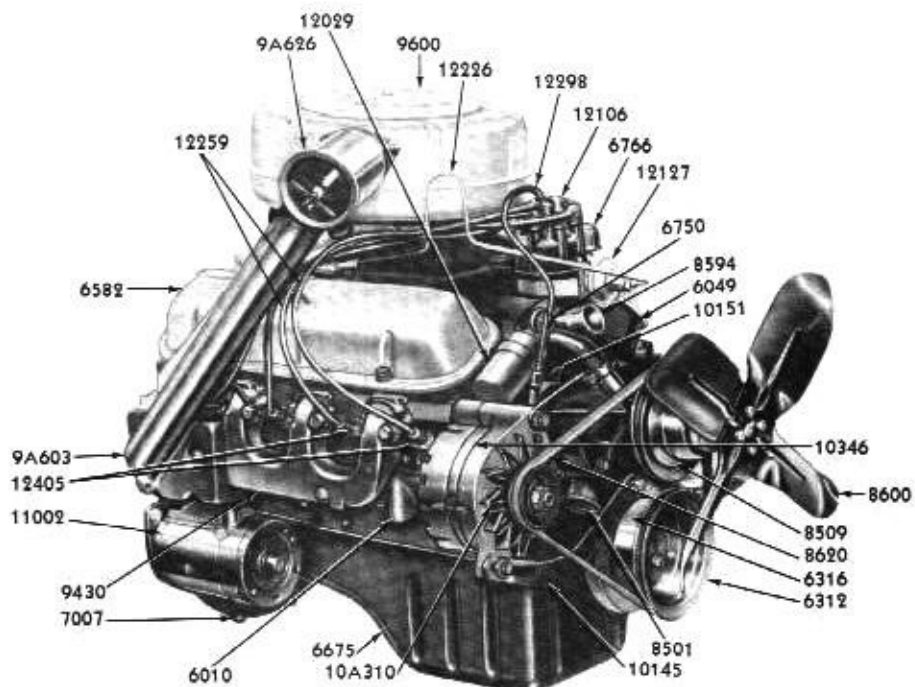
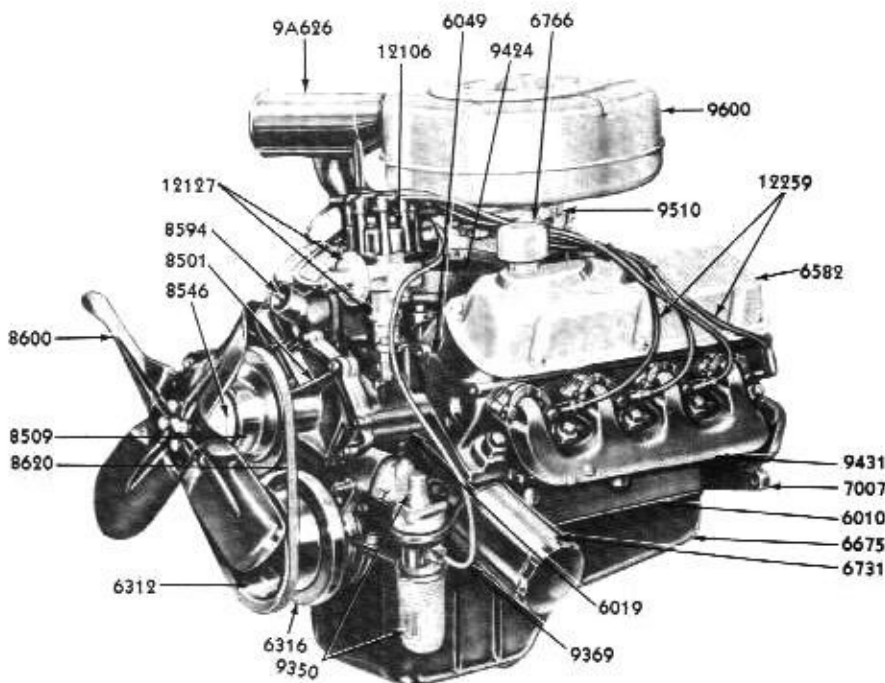
P-2820

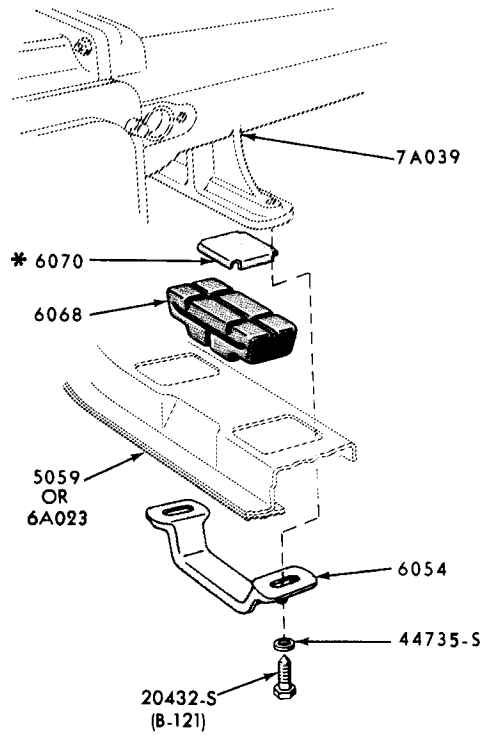
1960 CYLINDER BLOCK & RELATED PARTS (8 CYLINDER 430 ENGINE) - THUNDERBIRD





P-2742

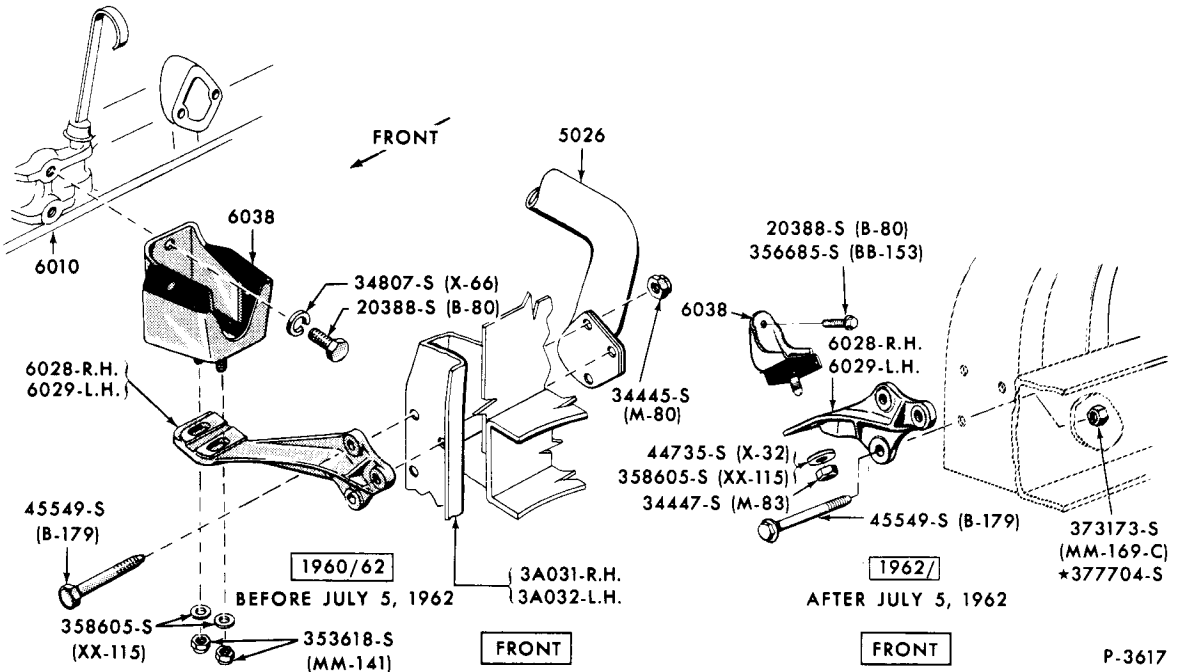
**RIGHT-FRONT VIEW****LEFT-FRONT VIEW**



* USED WITH F/M/2 TRANSMISSION ONLY

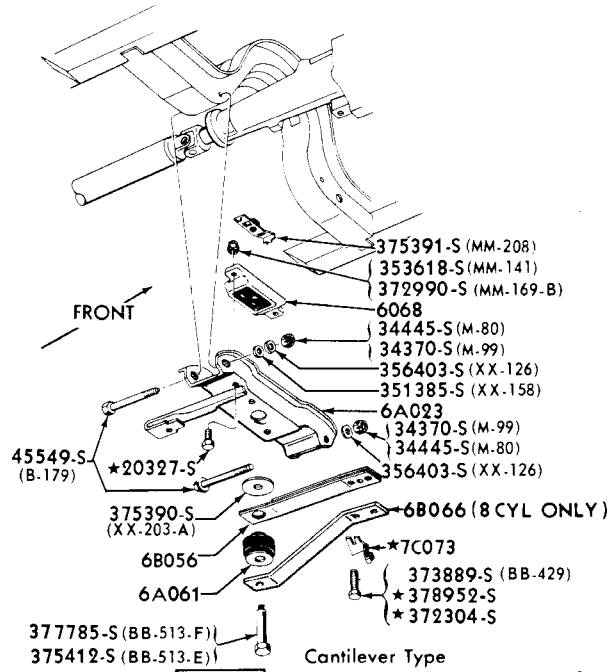
P-2998

1960/62 ENGINE SUPPORT-REAR-TYPICAL

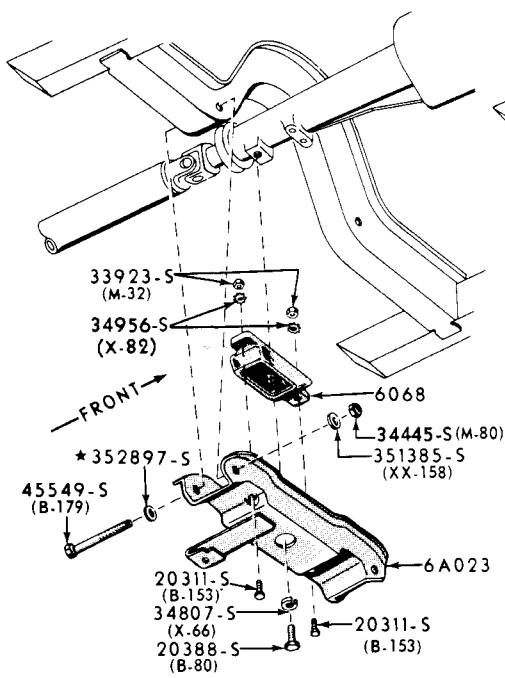


1960/ ENGINE SUPPORT-FRONT (6 CYLINDER 144,170,200 ENGINES)-FALCON-TYPICAL

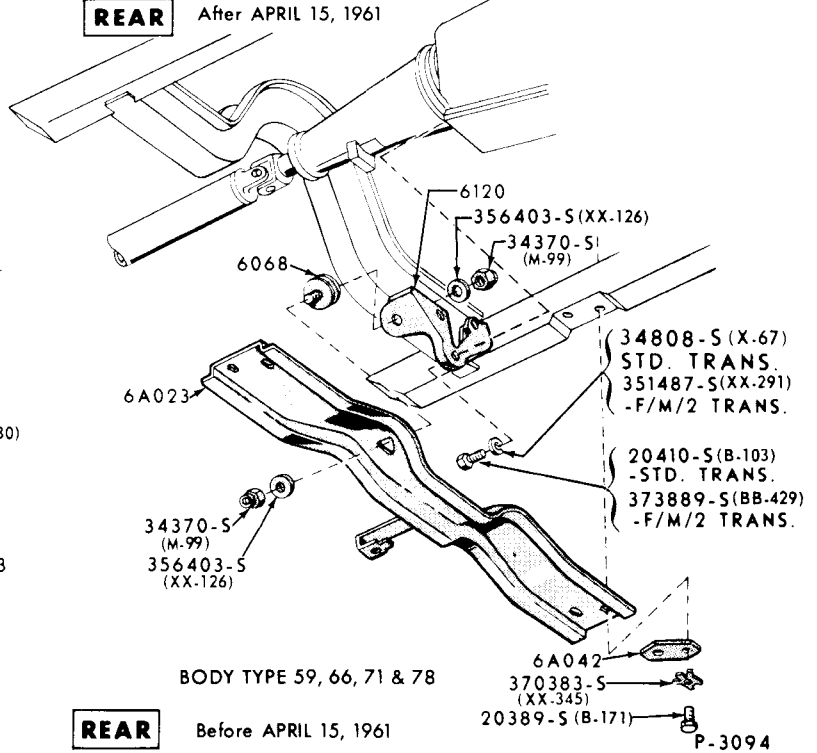
P-3617



REAR



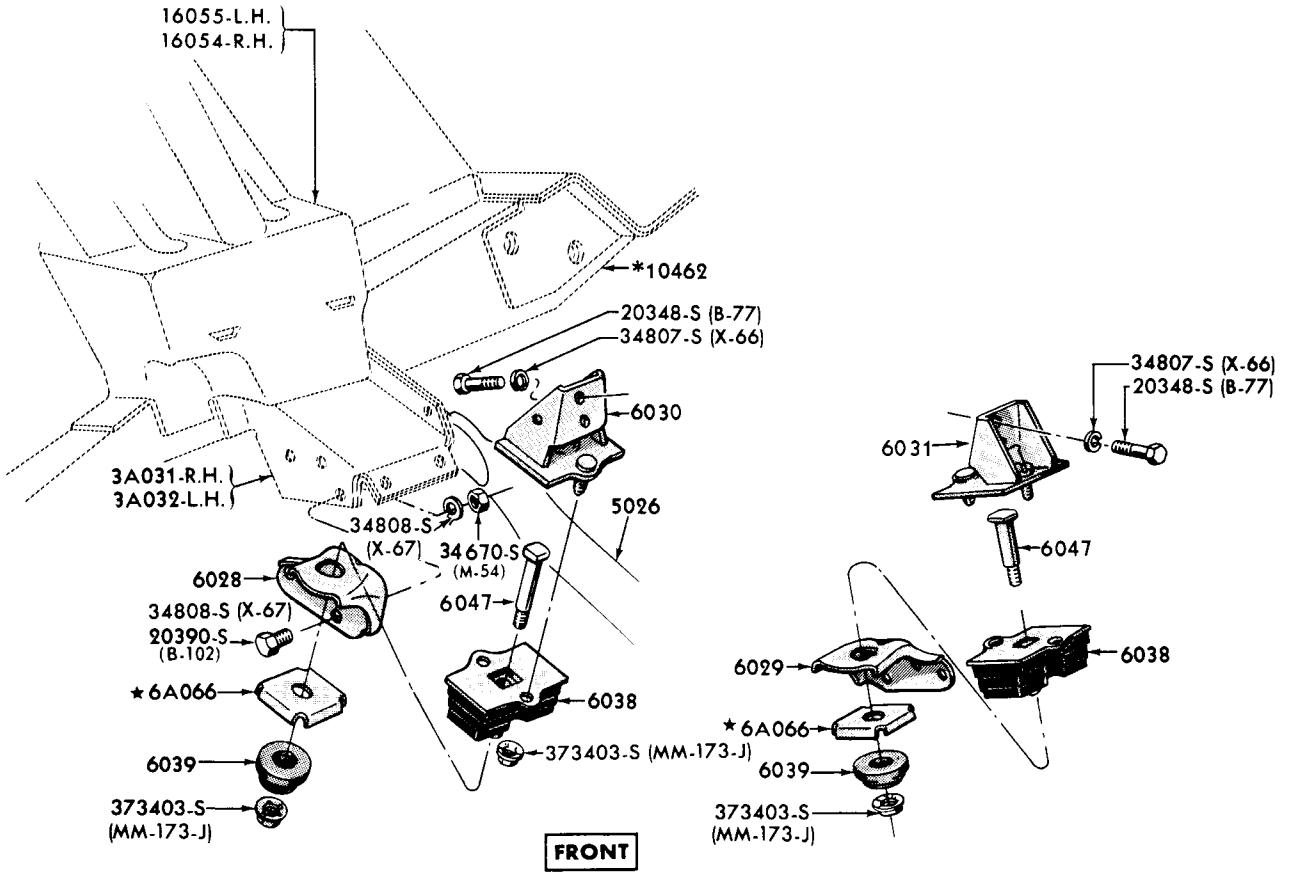
BODY TYPE 54, 58, 62 & 64



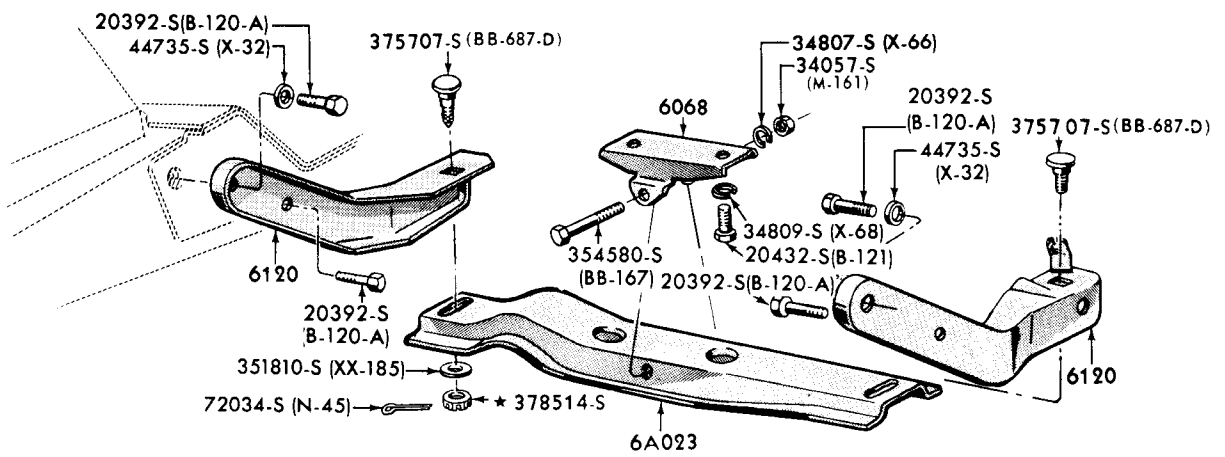
BODY TYPE 59, 66, 71 & 78

REAR

Before APRIL 15, 1961

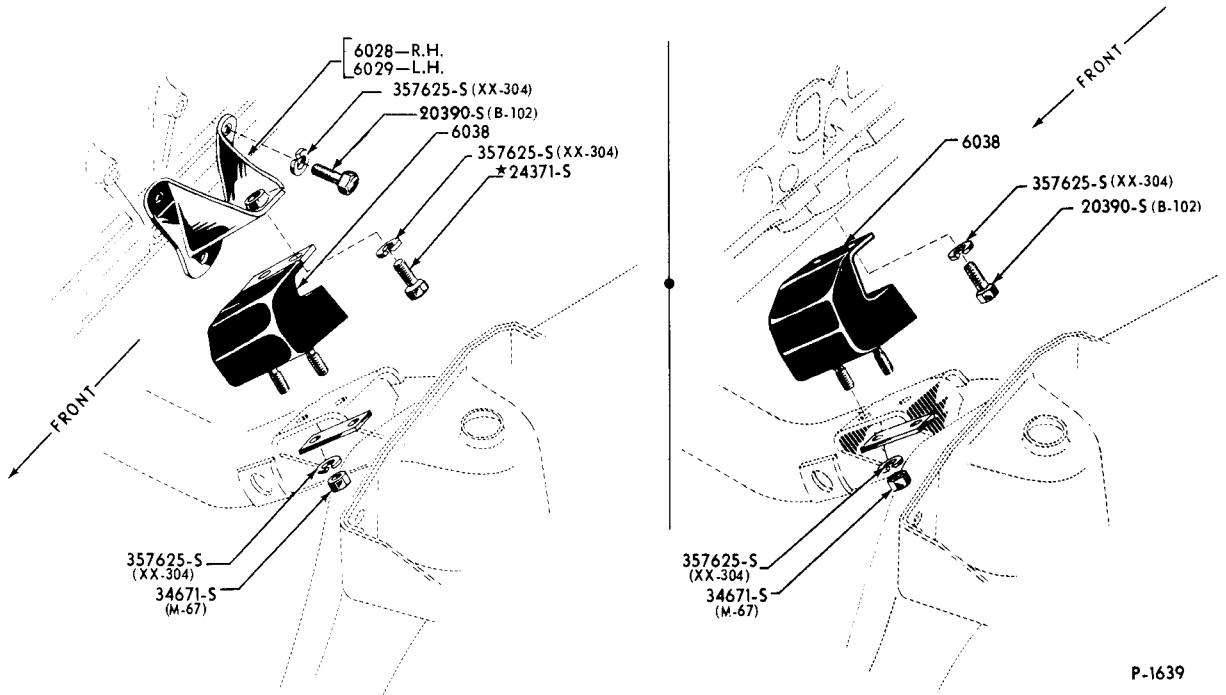


FRONT



REAR

P-3672

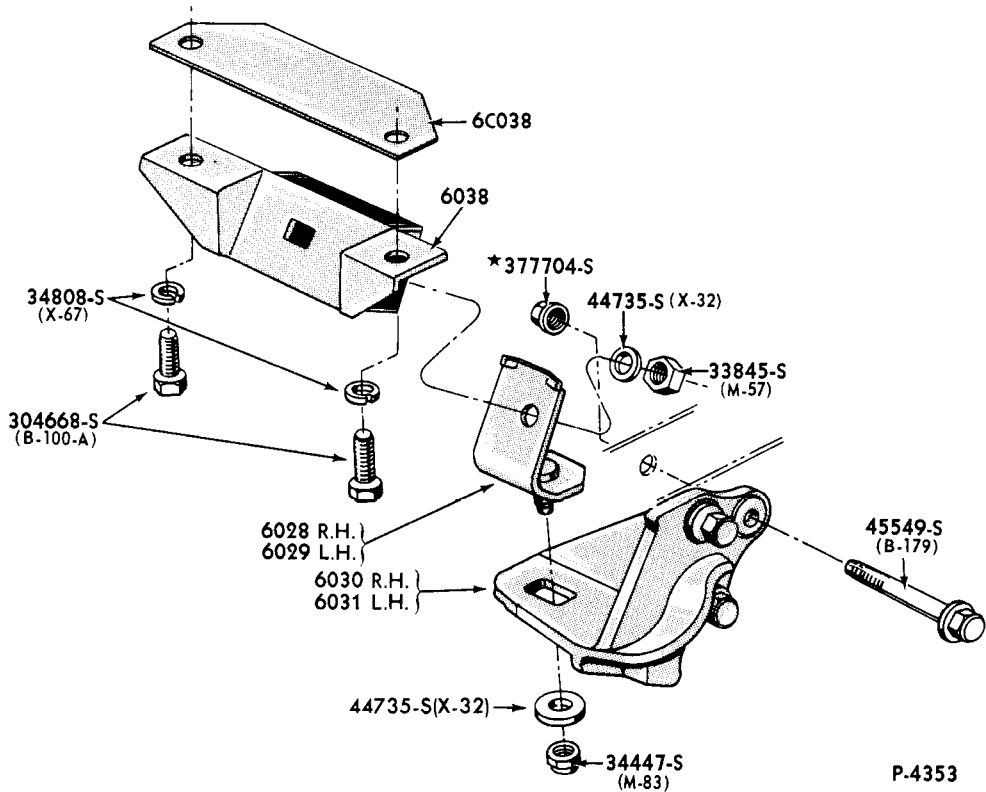


P-1639

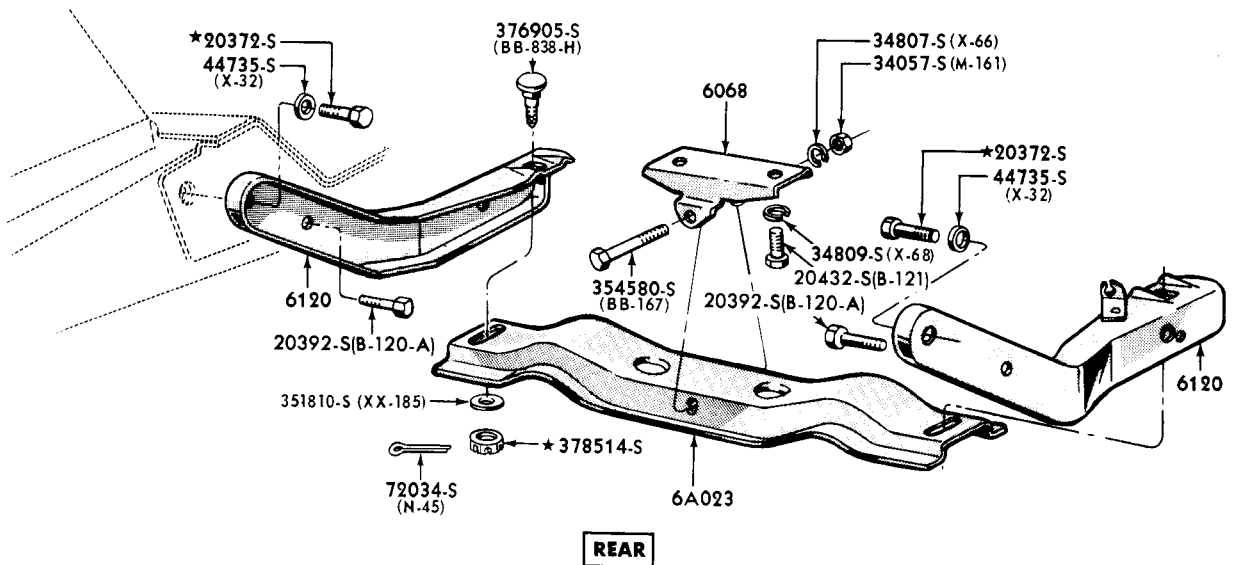
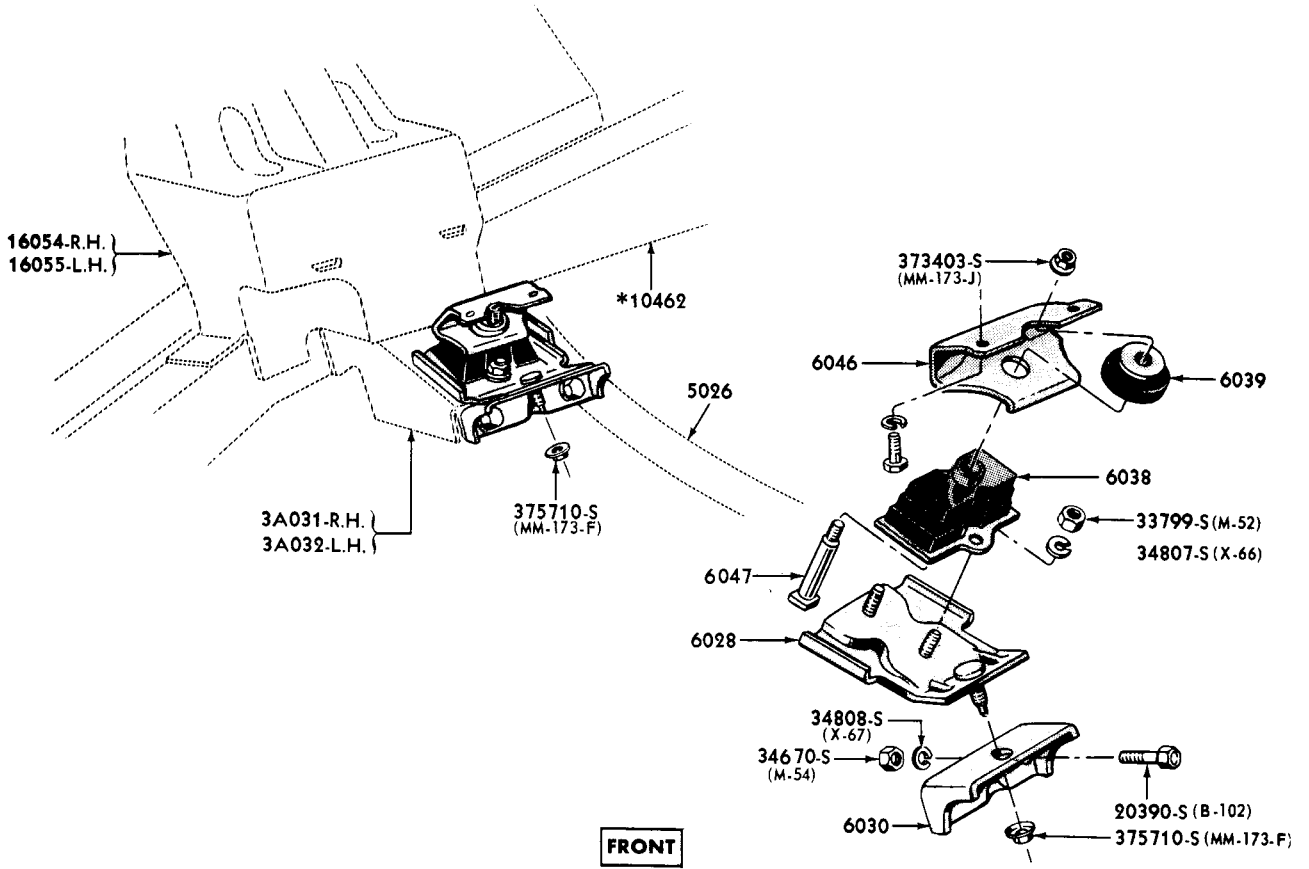
ENGINE FRONT SUPPORT

1960/64 ENGINE (6 CYLINDER 223)

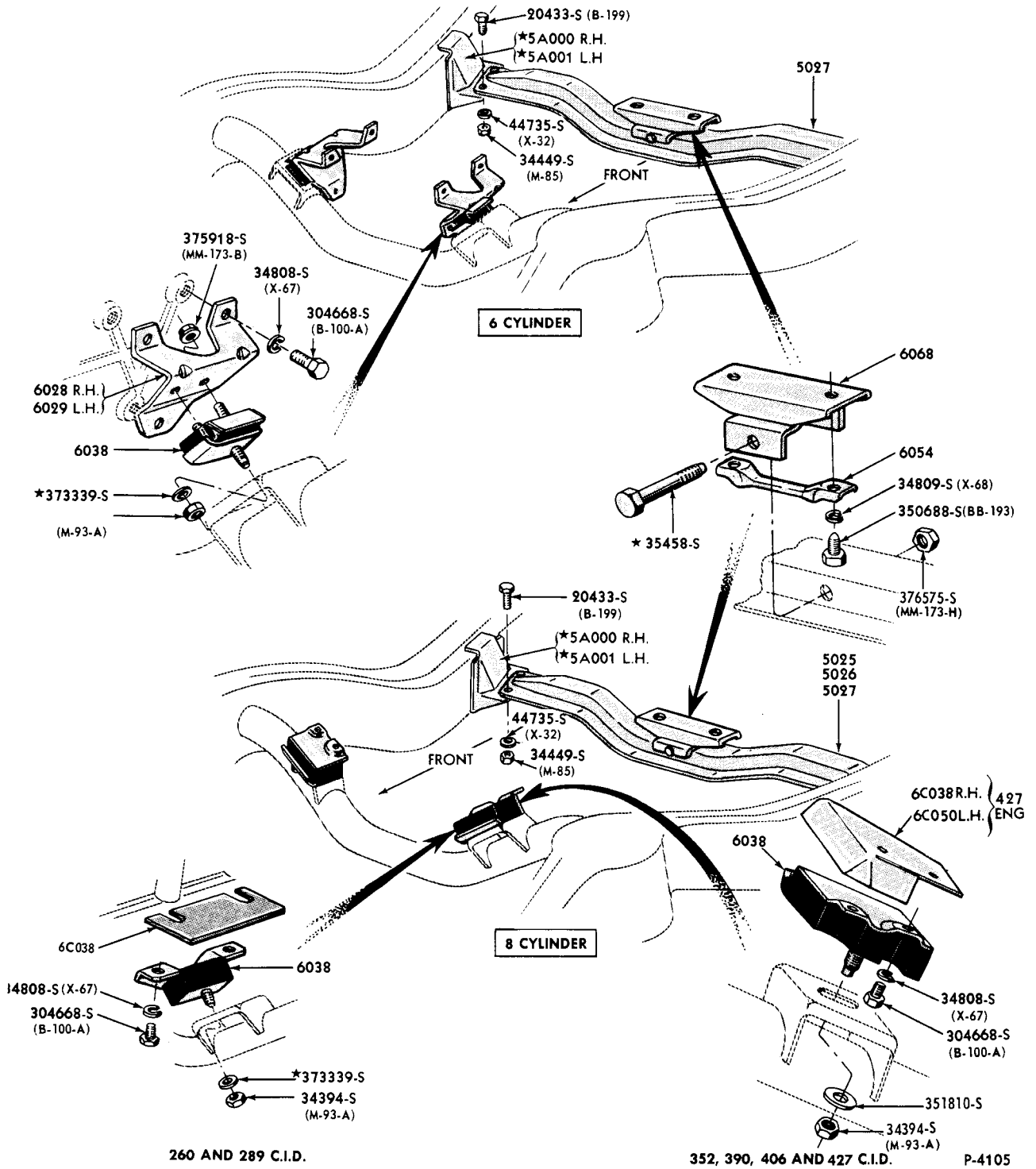
1960/64 ENGINE (8 CYLINDER)-FORD

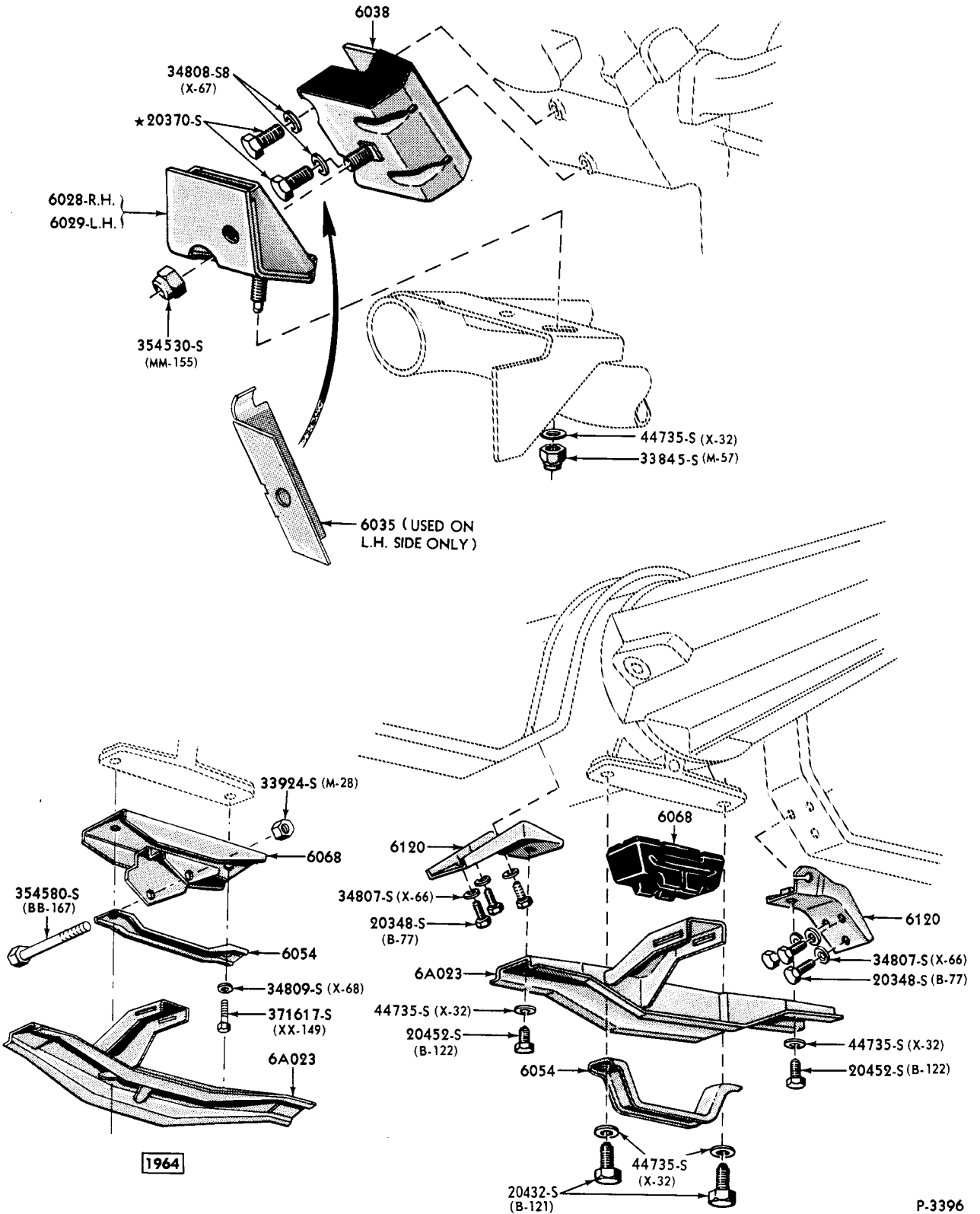


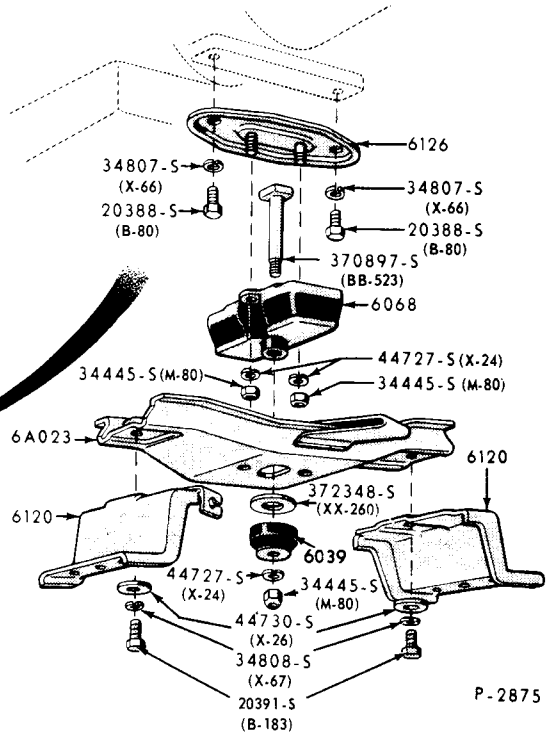
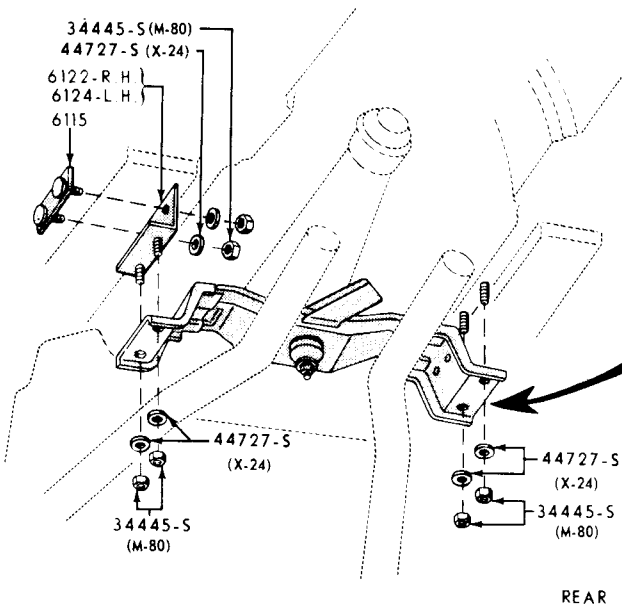
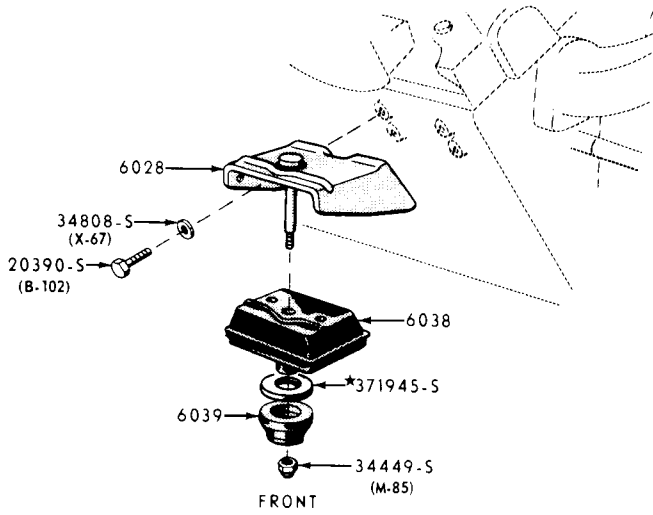
P.4353

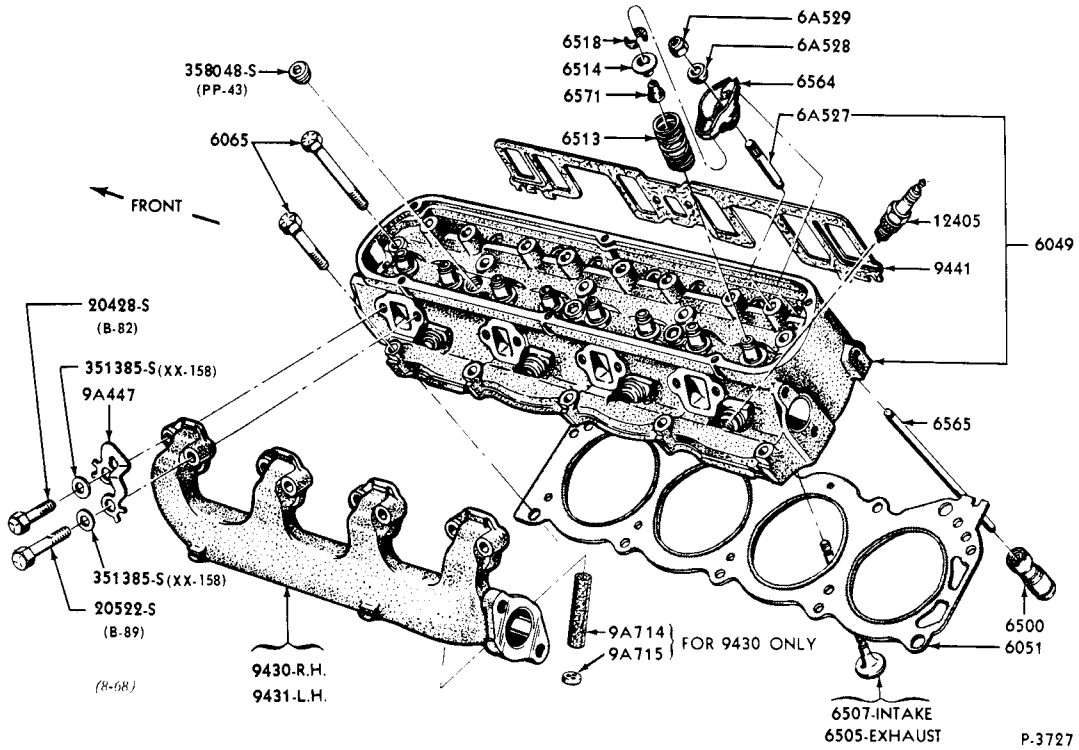


P-3673

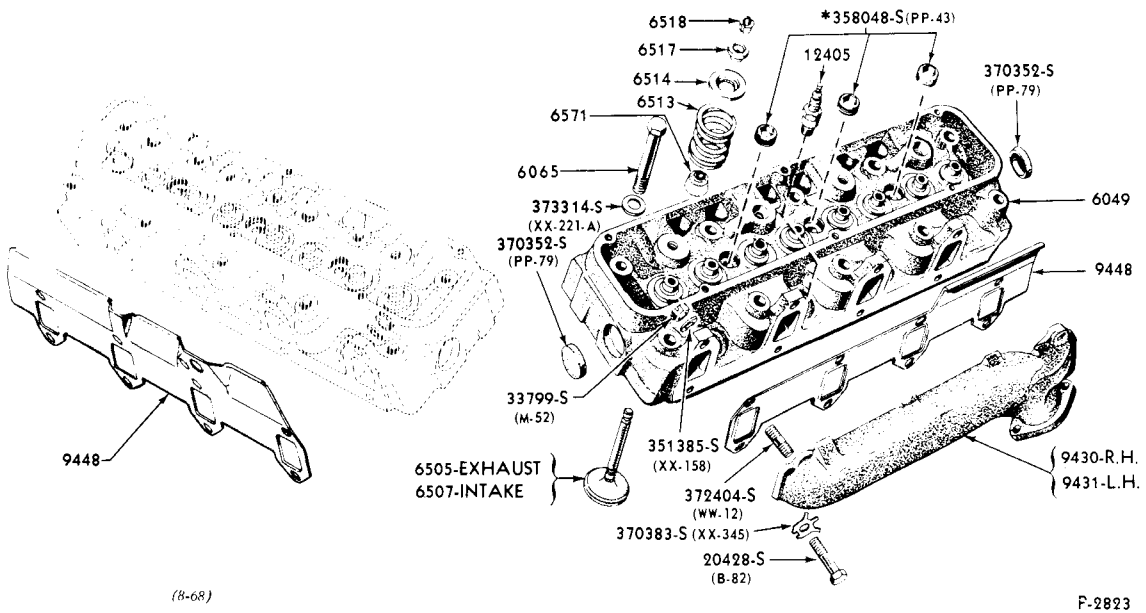






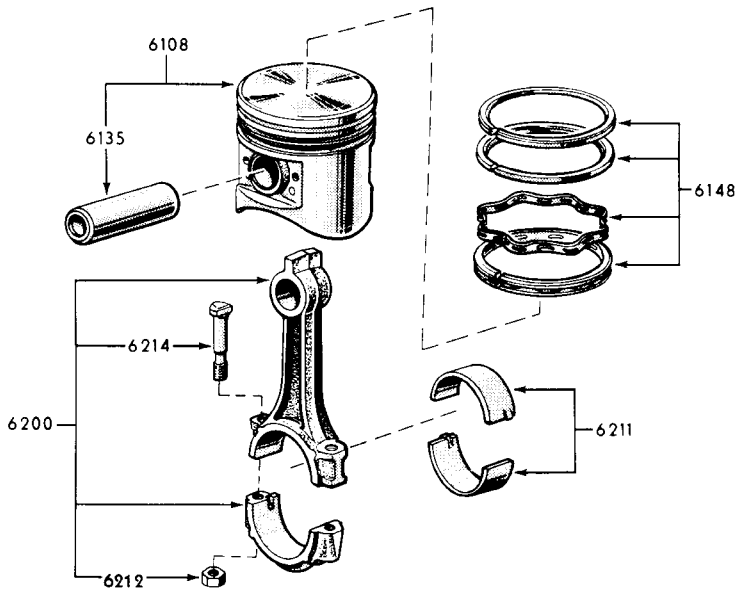


1962/ CYLINDER HEAD, VALVES, EXHAUST MANIFOLDS (8 CYLINDER 221, 260, 289 ENGINES)- TYPICAL



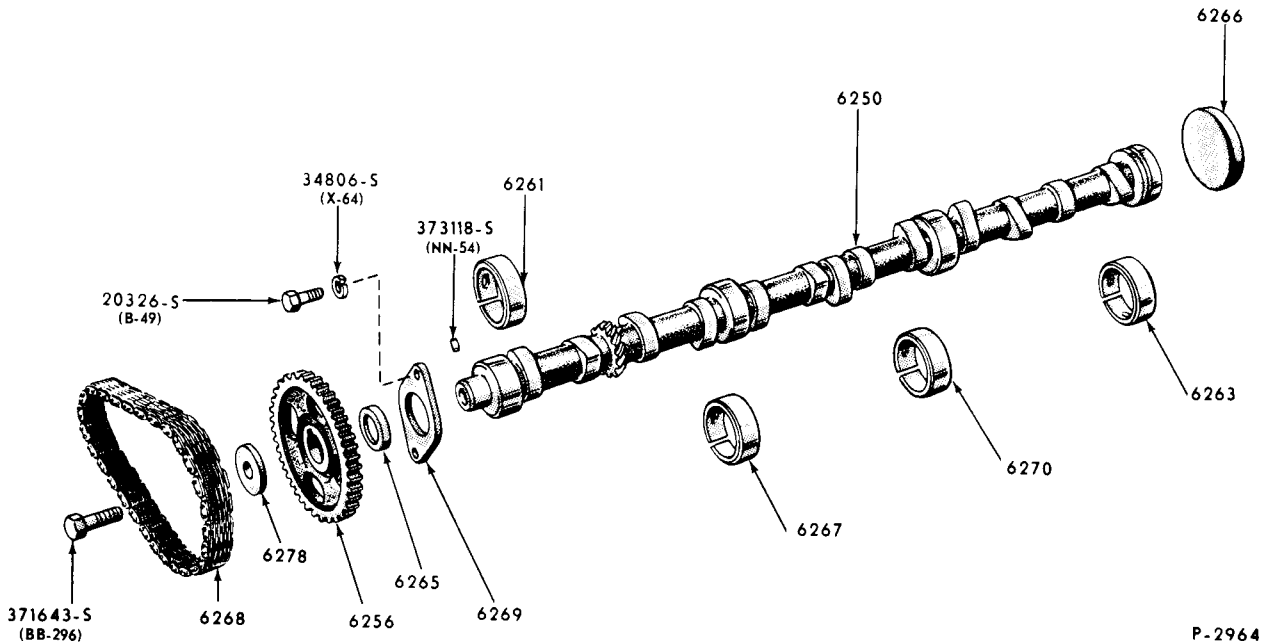
*ALSO SUPPLIED IN 6049 CYLINDER HEAD ASSEMBLY

1960 CYLINDER HEAD, VALVES, EXHAUST MANIFOLDS (8 CYLINDER 430 ENGINE)



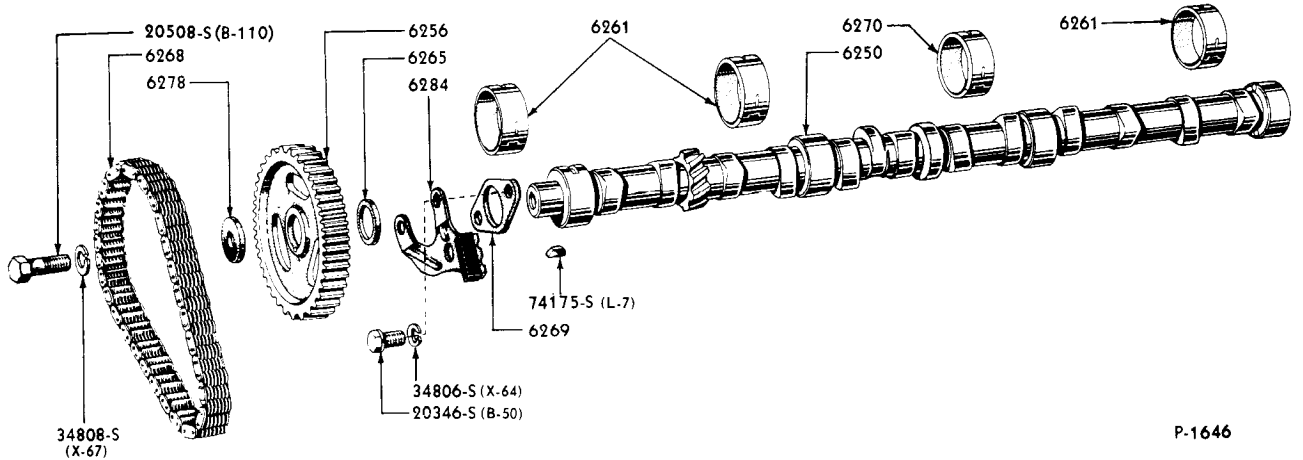
P-3090

1960/ PISTON & CONNECTING ROD (6 CYLINDER 144, 170, 200 ENGINES)-TYPICAL

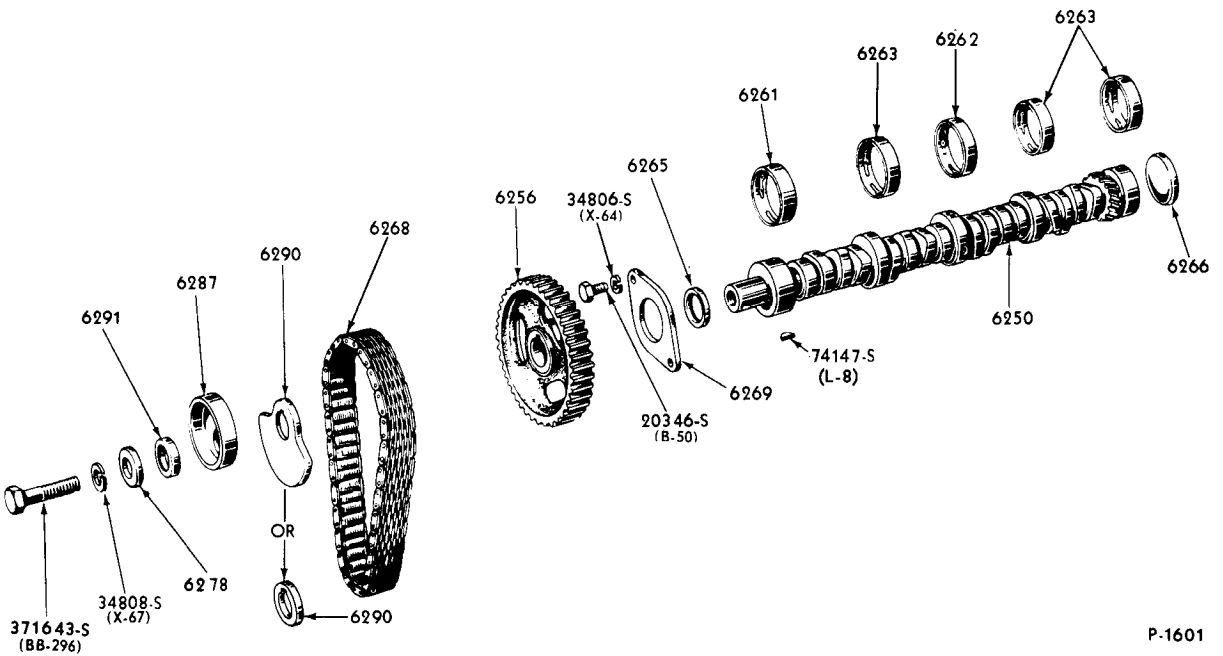


P-2964

1960/ CAMSHAFT, GEAR, BEARINGS ETC. (6 CYLINDER 144, 170, 200 ENGINES)-TYPICAL

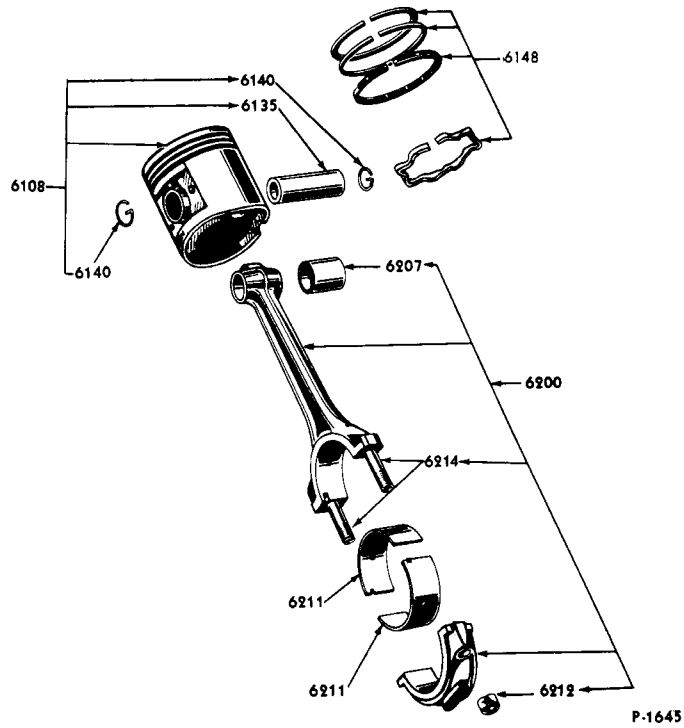


1960/64 CAMSHAFT, GEAR, BEARINGS, ETC. (6 CYLINDER 223 ENGINE)

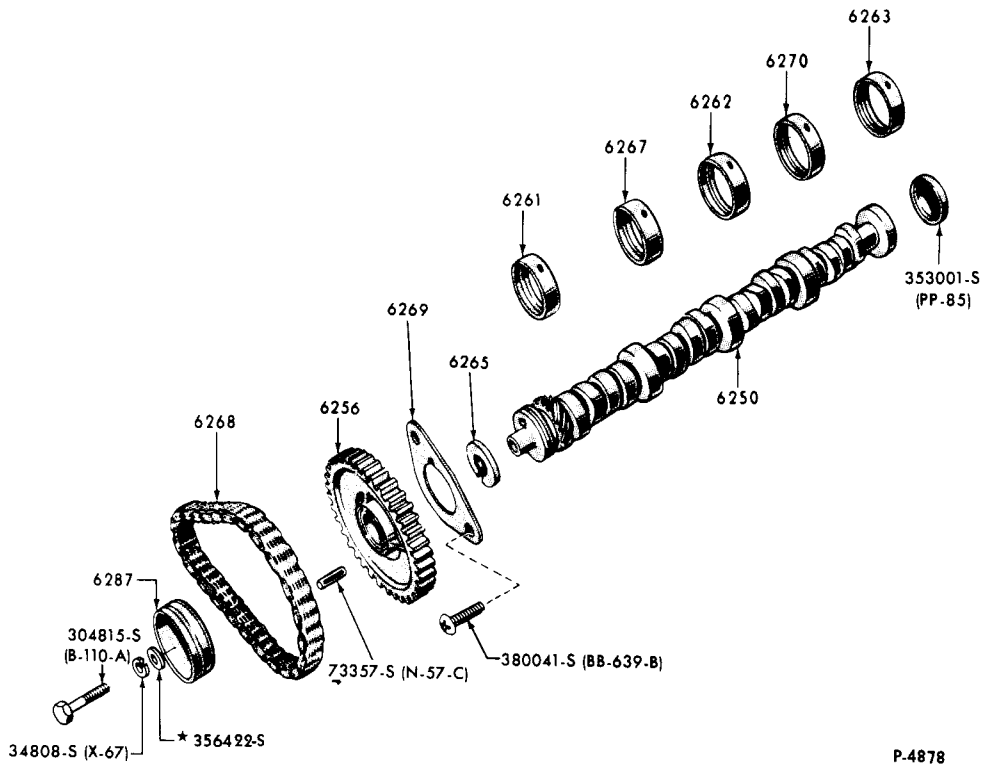


1960/62 CAMSHAFT, GEAR, BEARING, ETC. (8 CYLINDER 292 ENGINE)-TYPICAL

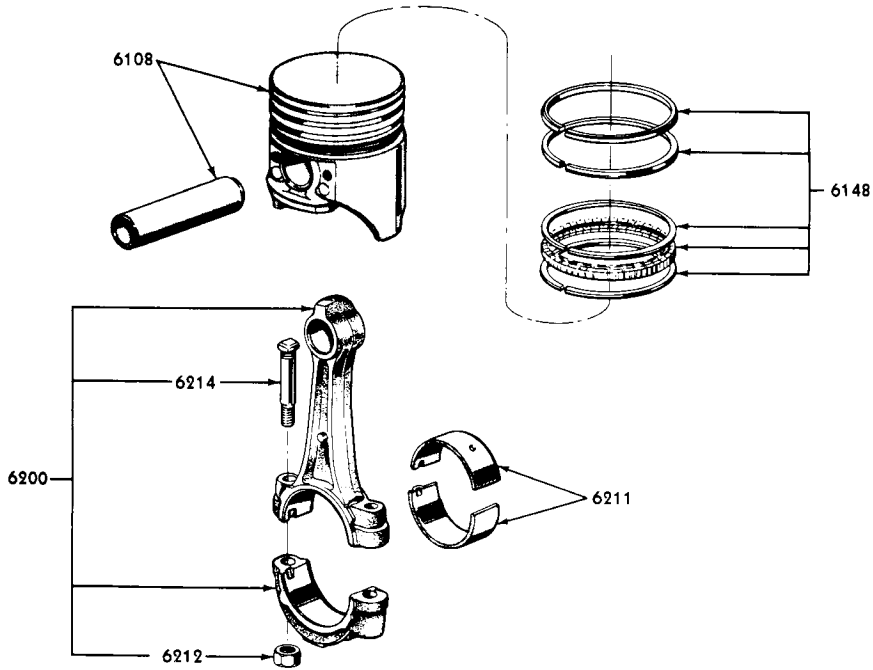
FORD CAR PARTS



1960/64 PISTON & CONNECTING ROD (6 CYL. 223 & 8 CYL. 292 ENGINES)- TYPICAL

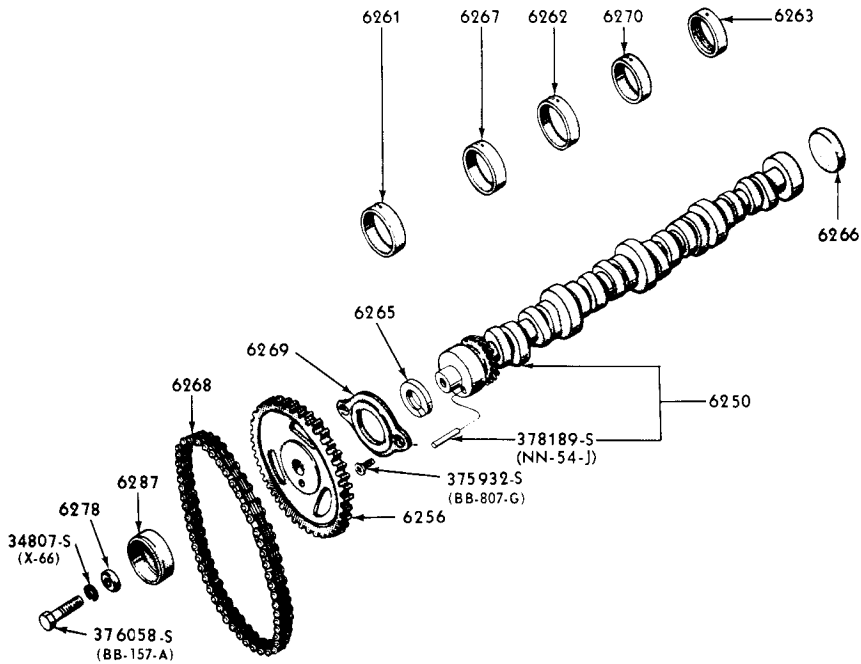


1963/ CAMSHAFT, GEAR, BEARINGS, ETC. (8 CYLINDER 352, 390, 406, 427 ENGINES)-TYPICAL



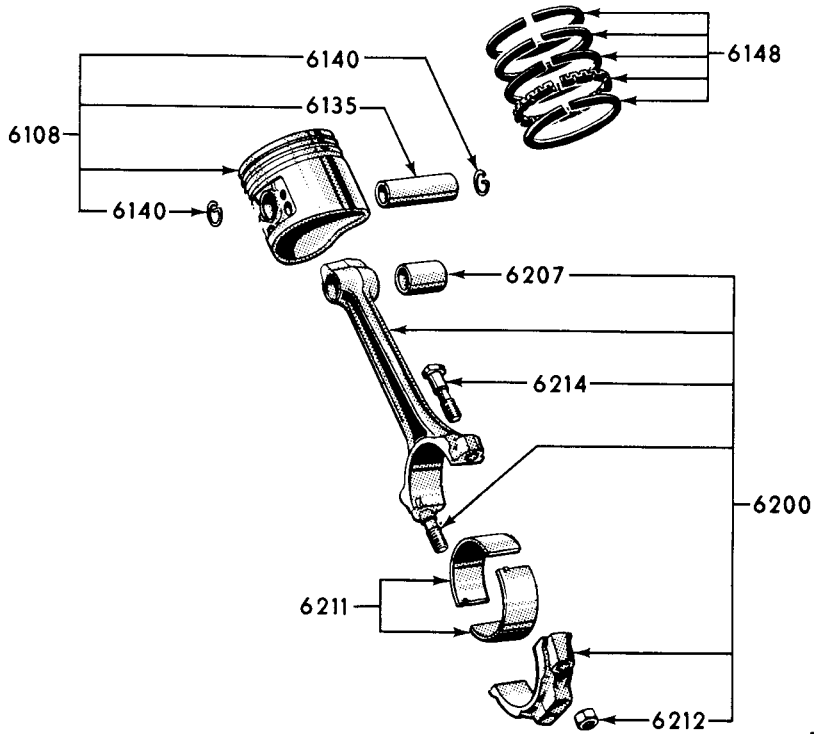
P. 3732

1962/ PISTON & CONNECTING ROD (8 CYLINDER 221, 260, 289 ENGINES)-TYPICAL



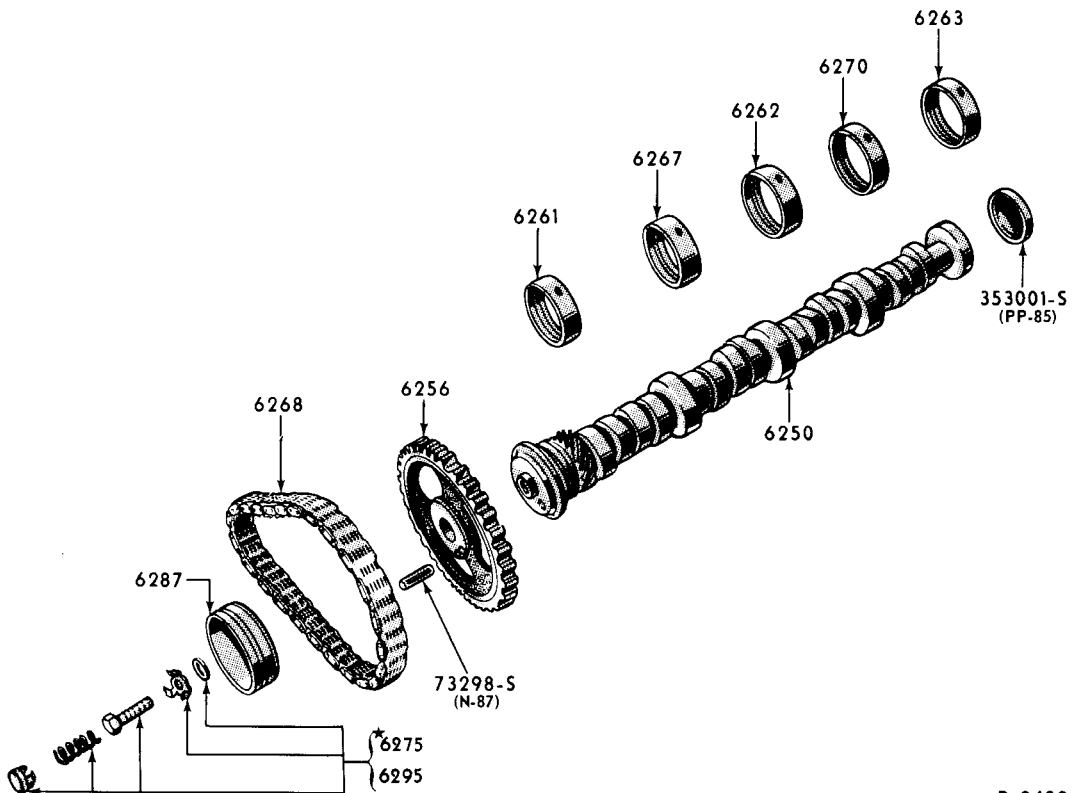
P.3733

1962/ CAMSHAFT, GEAR, BEARINGS ETC. (8 CYLINDER 221, 260, 289 ENGINES)-TYPICAL



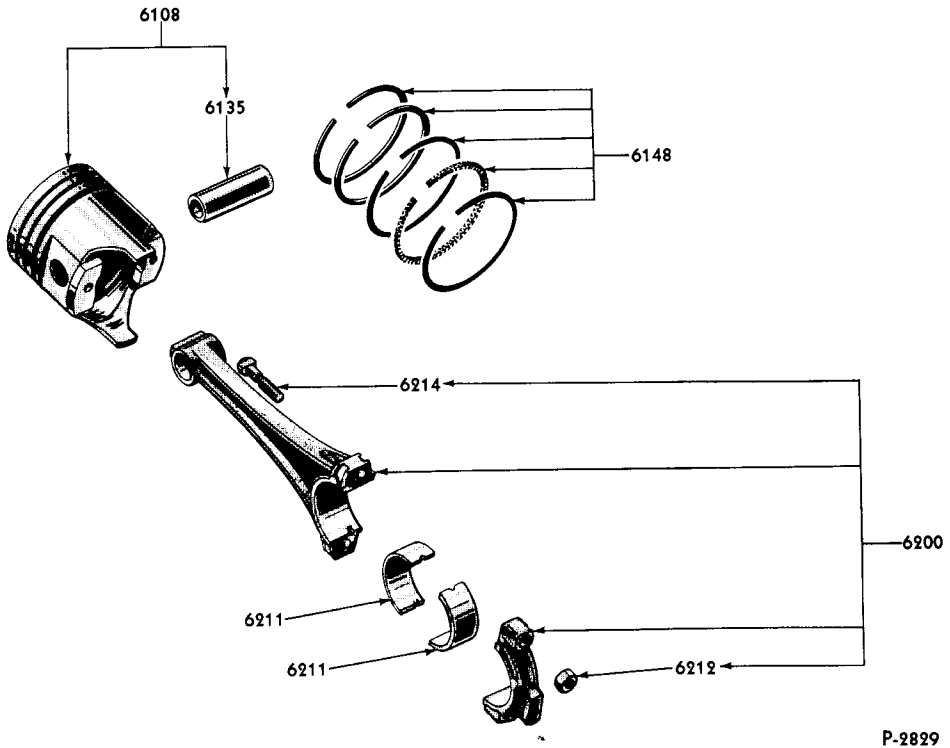
P-2487

1960/ PISTON & CONNECTING ROD (8 CYLINDER 352, 390, 406, 427 ENGINES)-TYPICAL

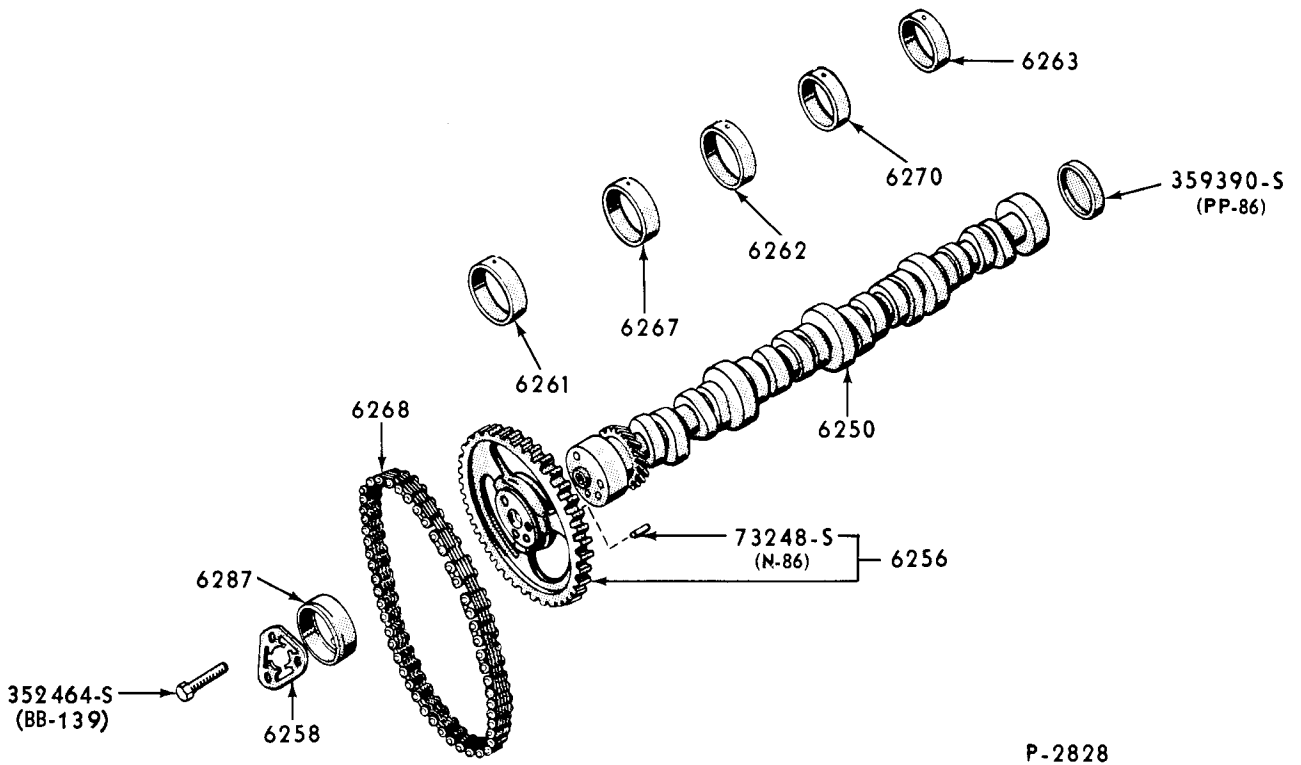


P-2489

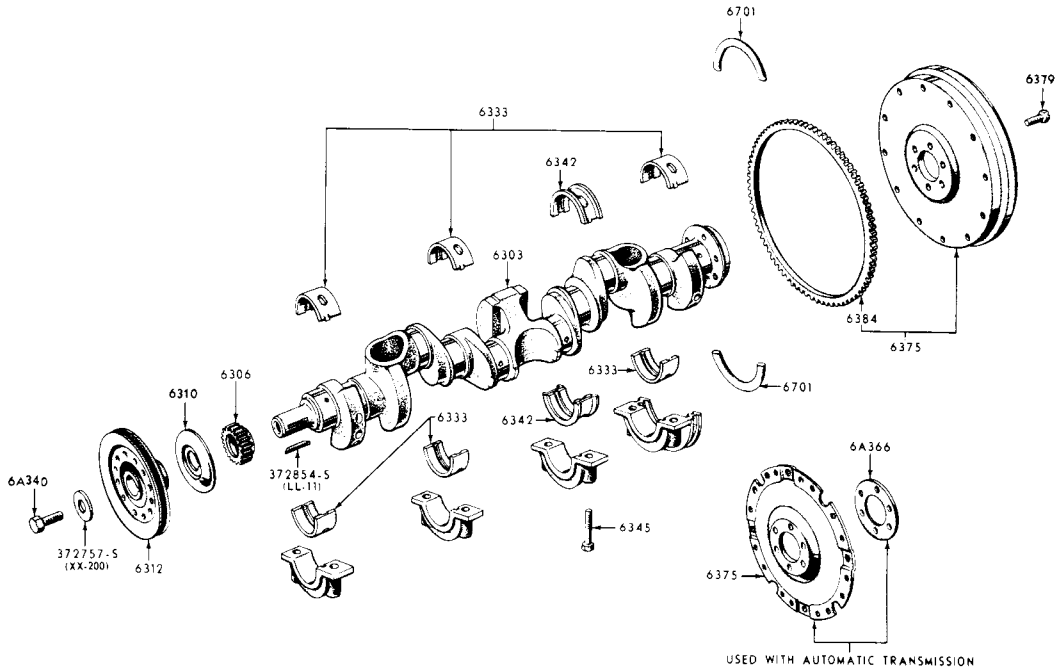
1960/62 CAMSHAFT, GEAR, BEARINGS, ETC. (8 CYLINDER 352, 390, 406 ENGINES)-TYPICAL



1960 PISTON & CONNECTING ROD (8 CYLINDER 430 ENGINE)-THUNDERBIRD

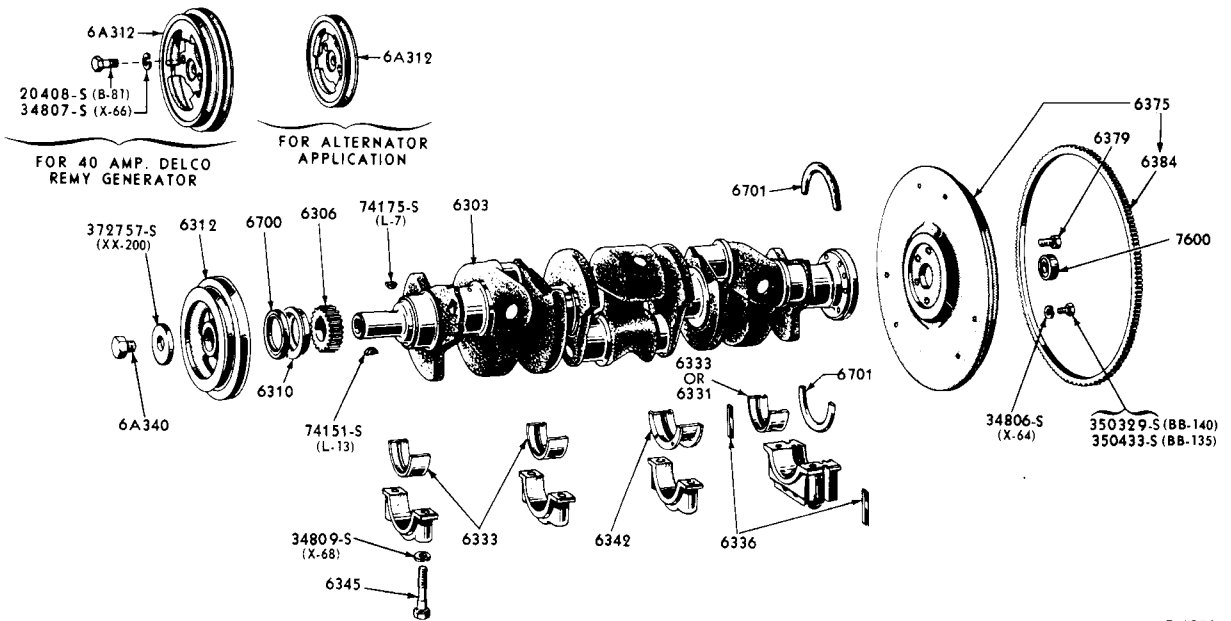


1960 CAMSHAFT, GEAR, BEARINGS ETC. (8 CYLINDER 430 ENGINE)-THUNDERBIRD



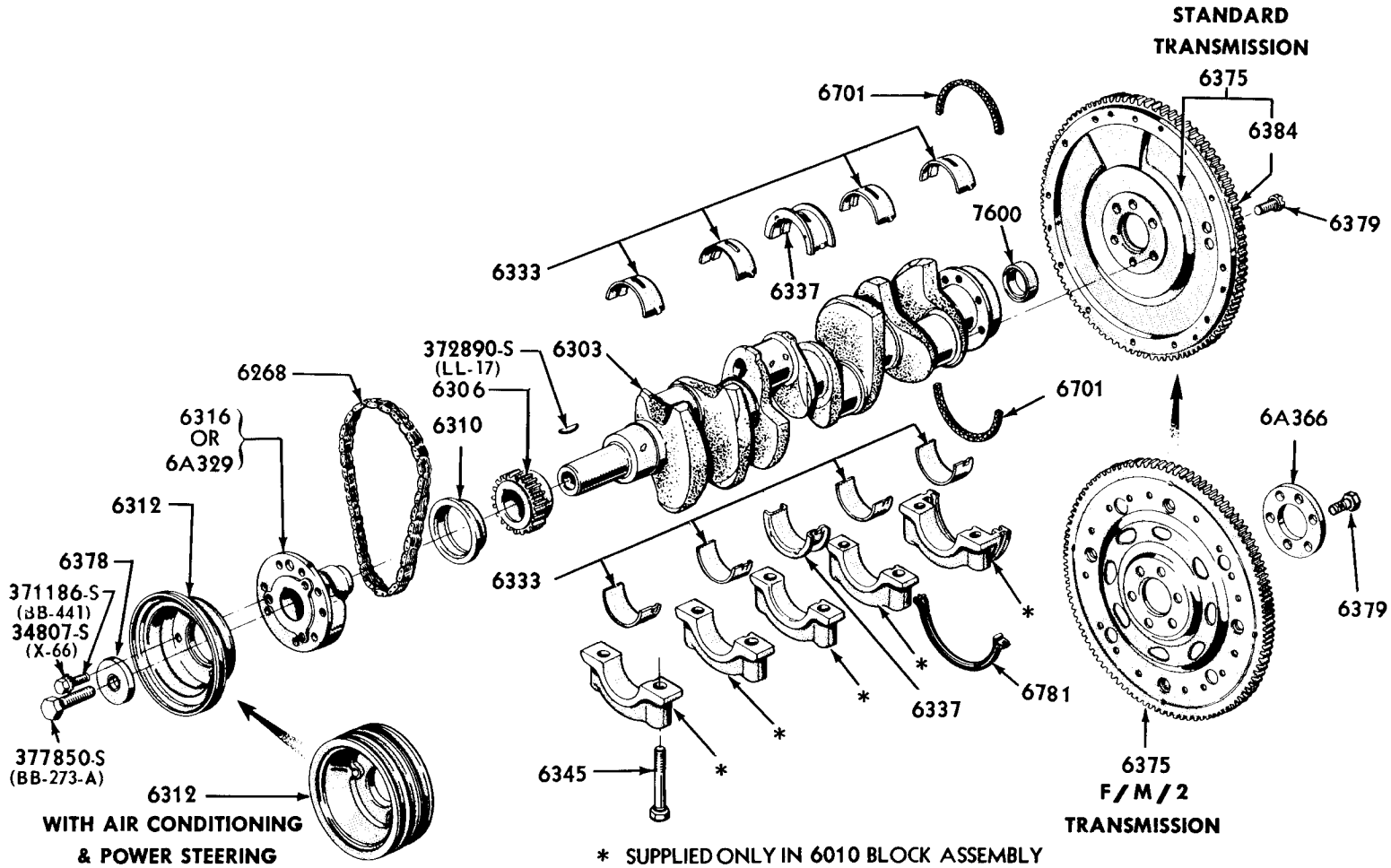
P-2965

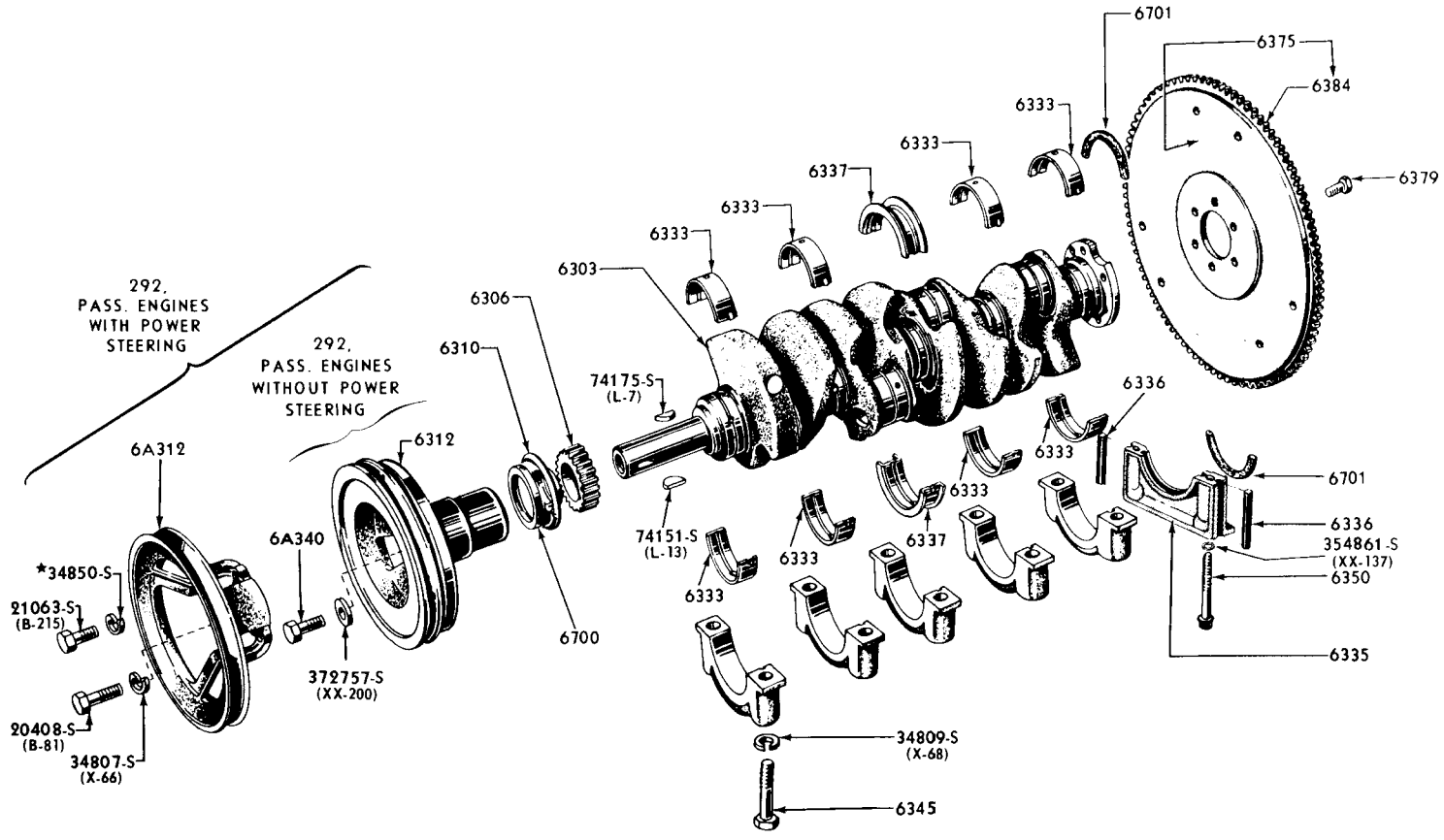
1963/64 CRANKSHAFT, FLYWHEEL & RELATED PARTS (6 CYLINDER 200 ENGINE)-TYPICAL
1960/ CRANKSHAFT, FLYWHEEL & RELATED PARTS (6 CYLINDER 144, 170 ENGINES)-TYPICAL



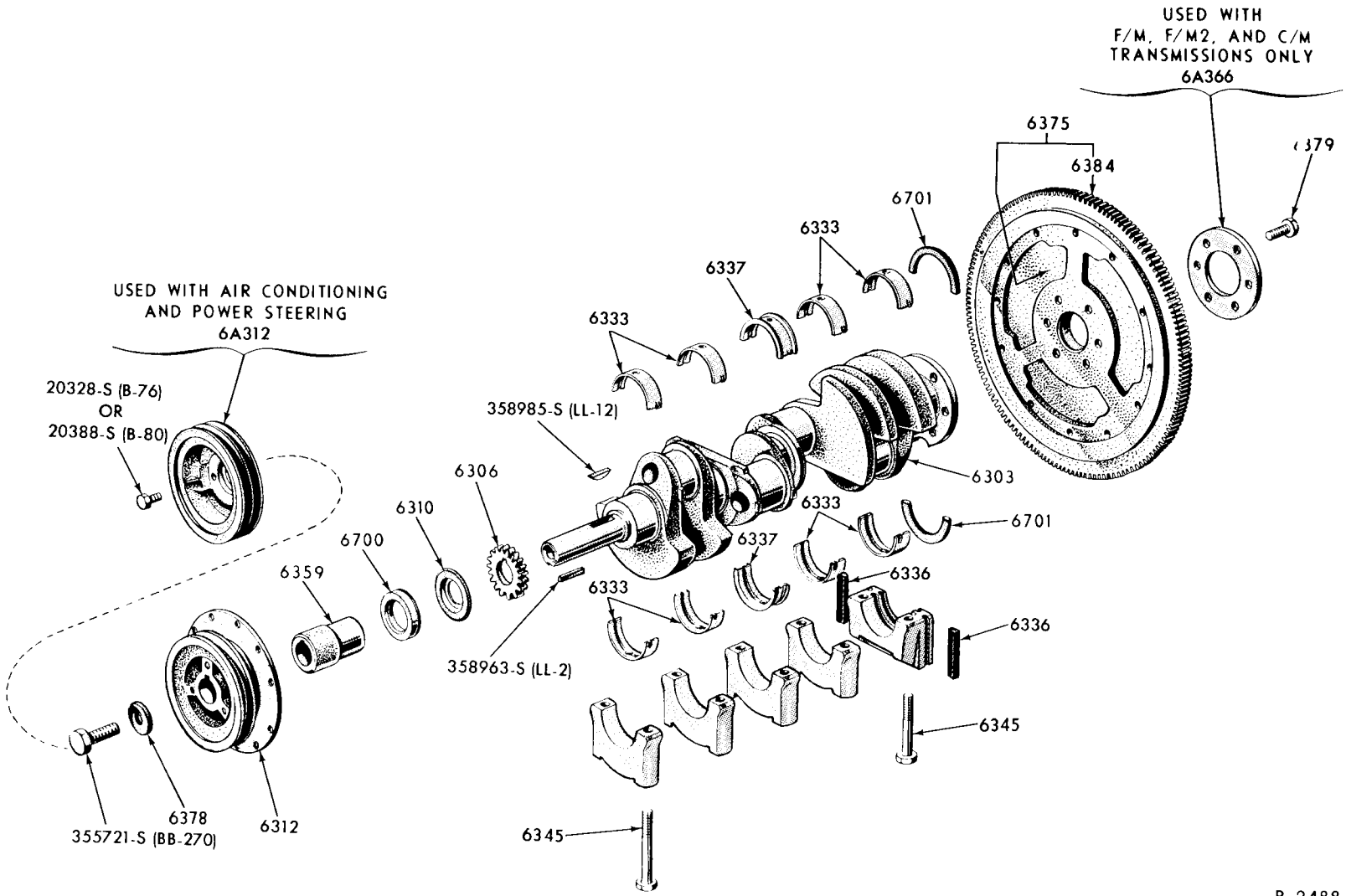
P-1250

1960/64 CRANKSHAFT, FLYWHEEL & RELATED PARTS (6 CYLINDER 223 ENGINE)-TYPICAL

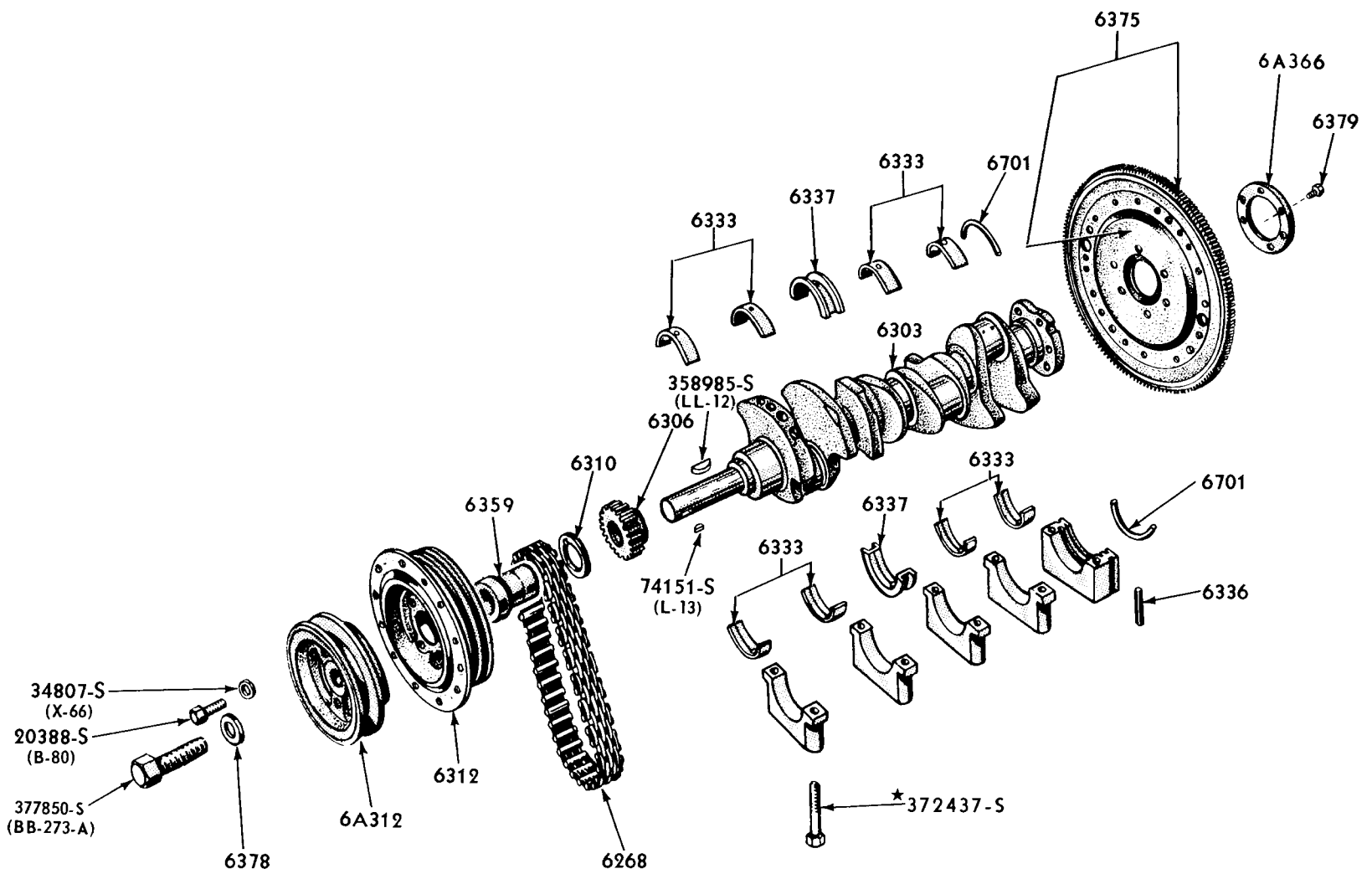


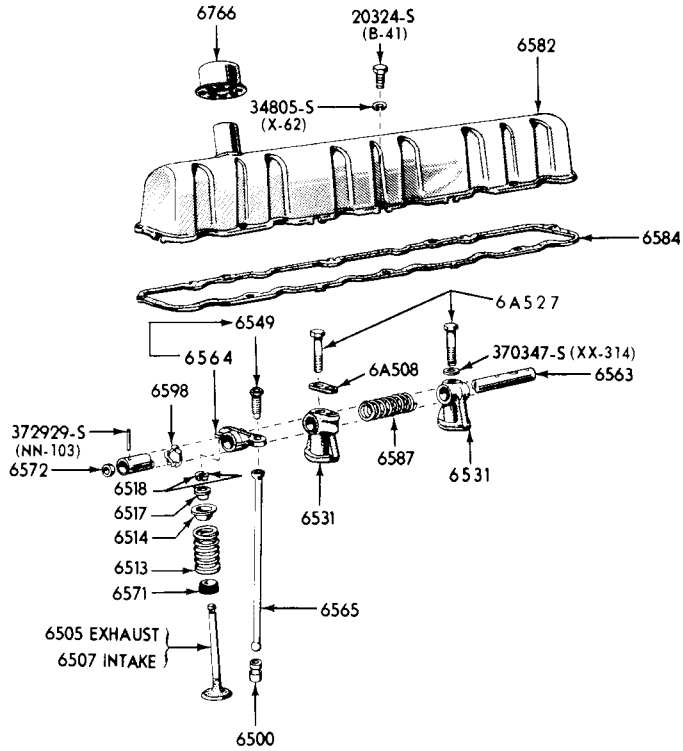


1960/62 CRANKSHAFT, FLYWHEEL & RELATED PARTS (8 CYLINDER 292 ENGINE)-TYPICAL



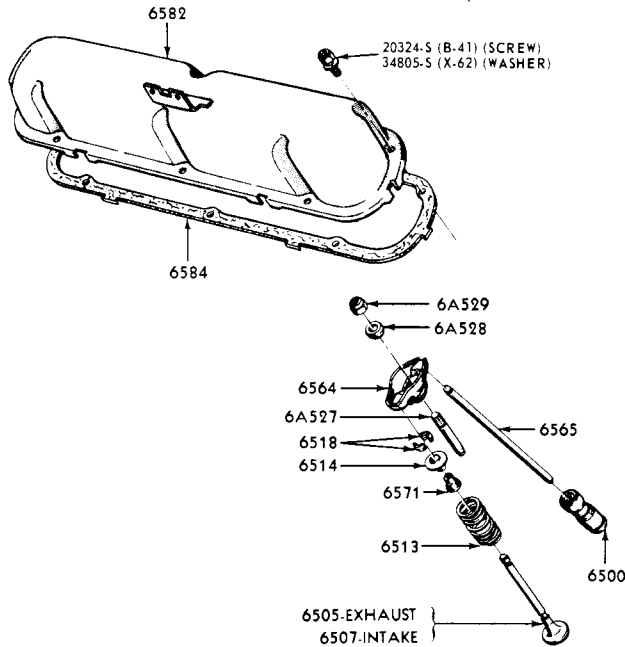
1960 CRANKSHAFT, FLYWHEEL & RELATED PARTS (8 CYLINDER 430 ENGINE)-THUNDERBIRD





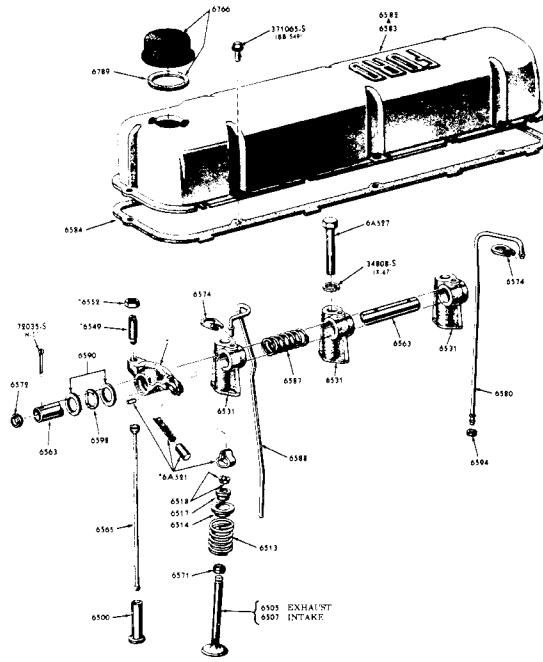
P-3089

1960/ VALVES, PUSH RODS, ROCKER ARM COVER & RELATED PARTS (6 CYLINDER 144, 170, 200 ENGINES)-TYPICAL



P-3726

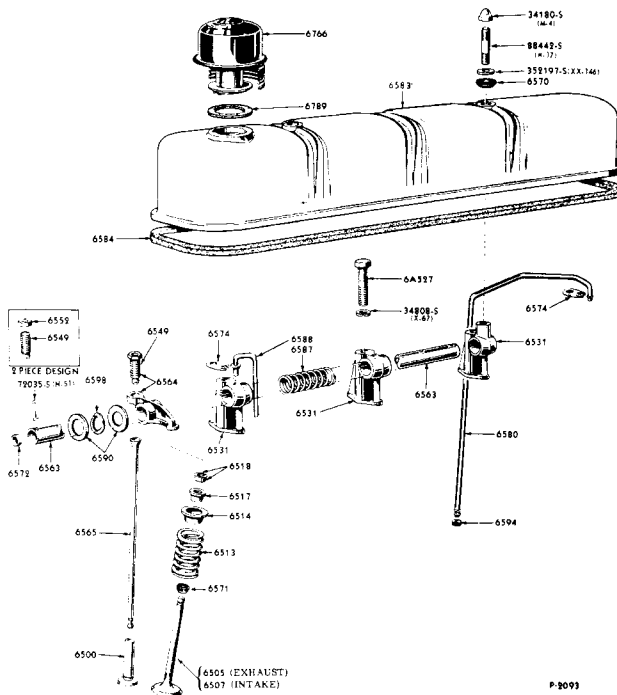
1962/ VALVES, PUSH RODS, ROCKER ARM COVER & RELATED PARTS (8 CYL. 221, 260, 289 ENGINES)-TYPICAL



*ALSO SUPPLIED IN 6564 ROCKER ARM ASSEMBLY

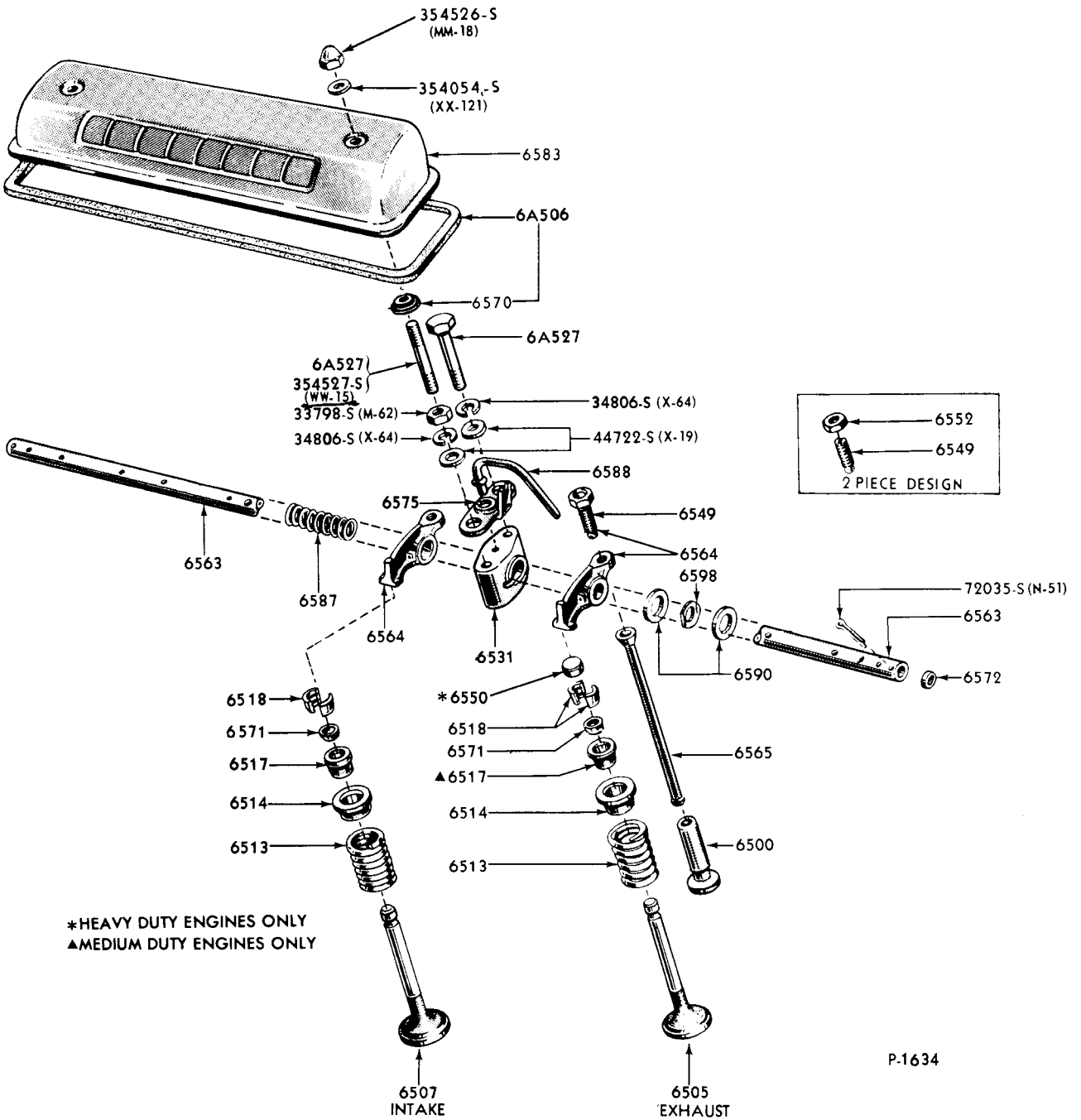
P-7855

1960/64 VALVES(ZERO LASH), PUSH RODS, ROCKER ARM COVER & RELATED PARTS(6 CYLINDER 223 ENGINE)

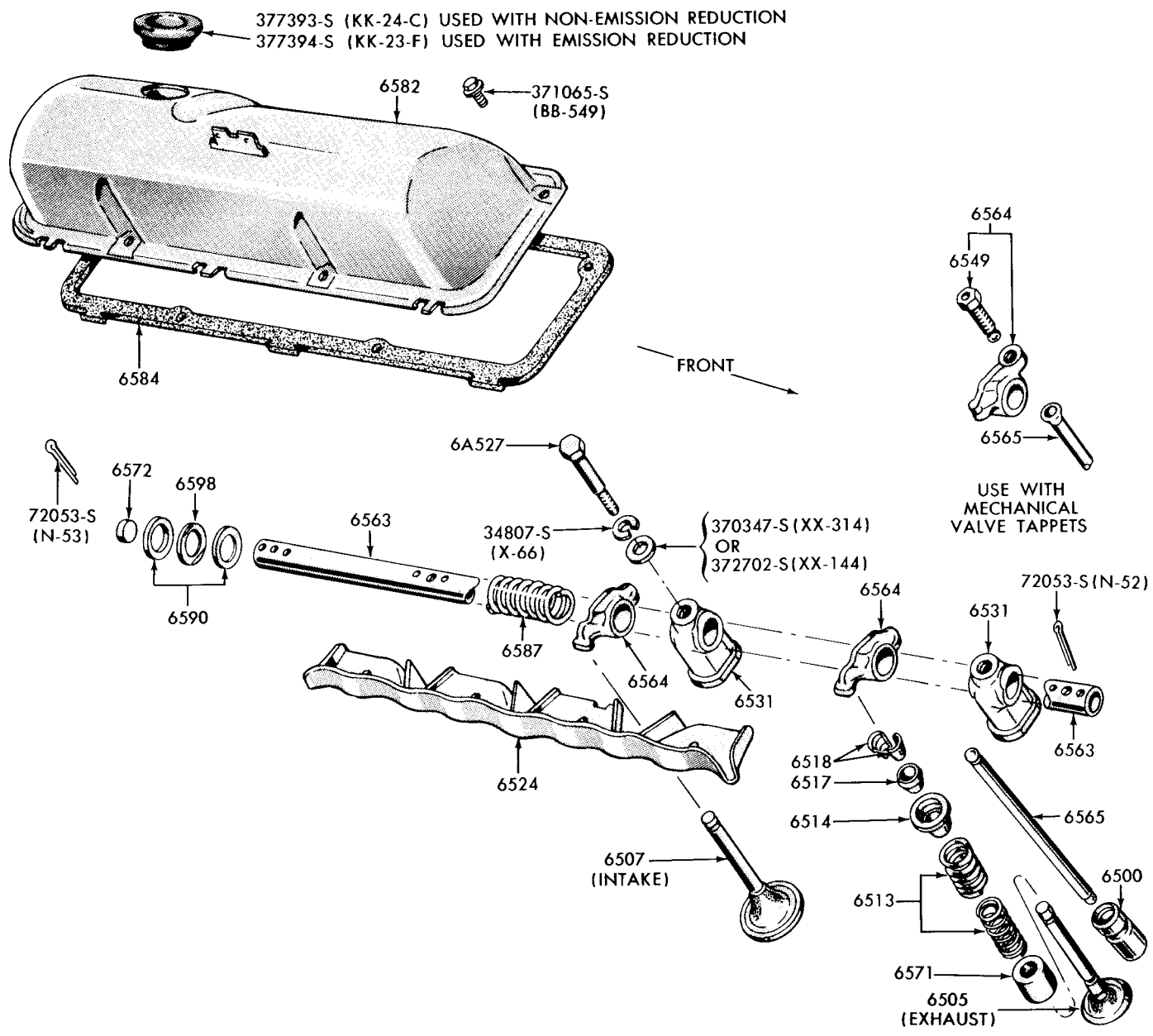


P-9093

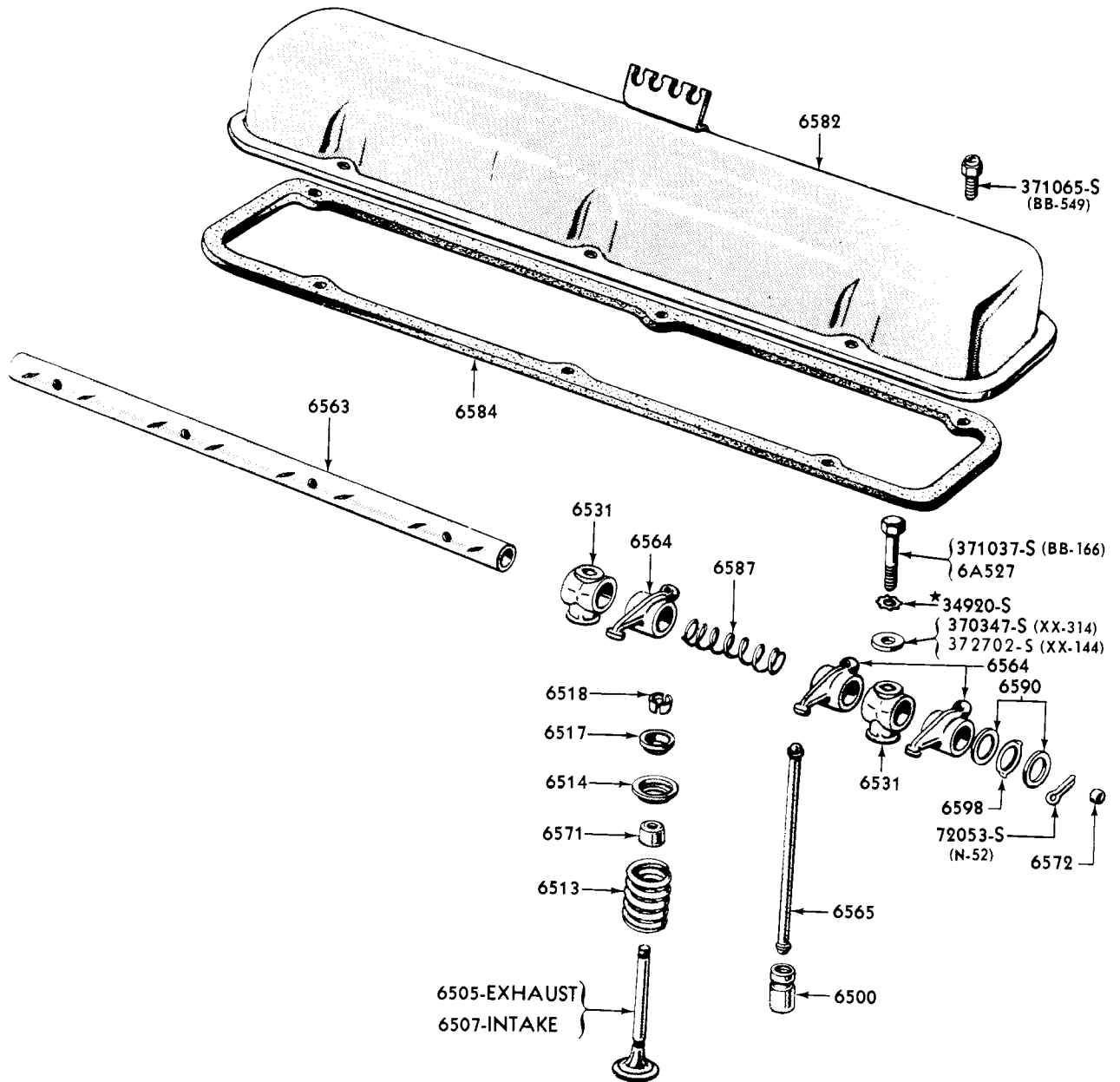
1960/61 VALVES, PUSH RODS, ROCKER ARM COVER & RELATED PARTS (6 CYLINDER 223 ENGINE)-TYPICAL



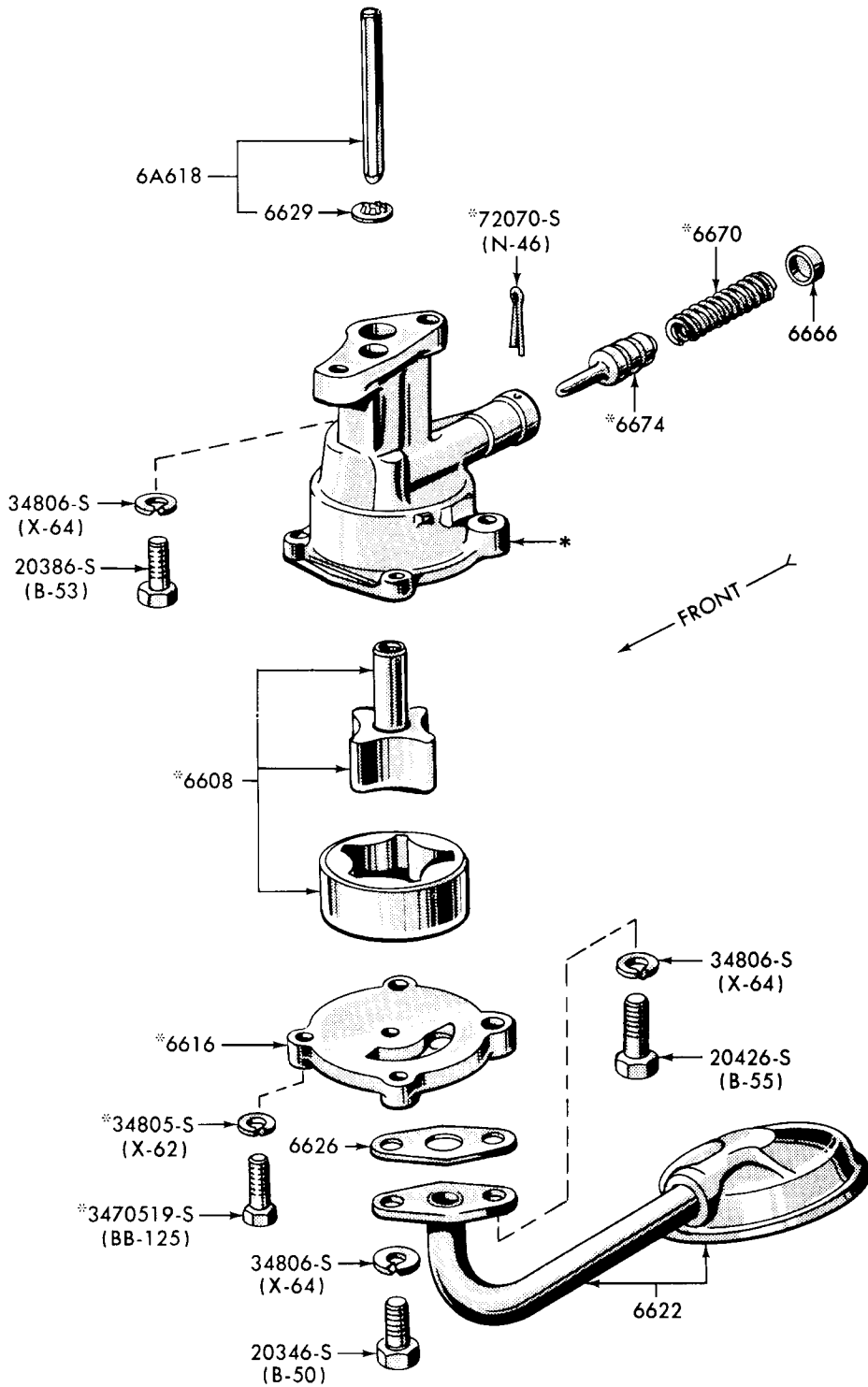
1960/62 VALVES, PUSH RODS, ROCKER ARM COVER & RELATED PARTS (8 CYLINDER 292 ENGINE)- TYPICAL



1960 / VALVES, PUSH RODS, ROCKER ARM COVER & RELATED PARTS (8 CYLINDER 352, 390, 406, 427 ENGINES) - TYPICAL

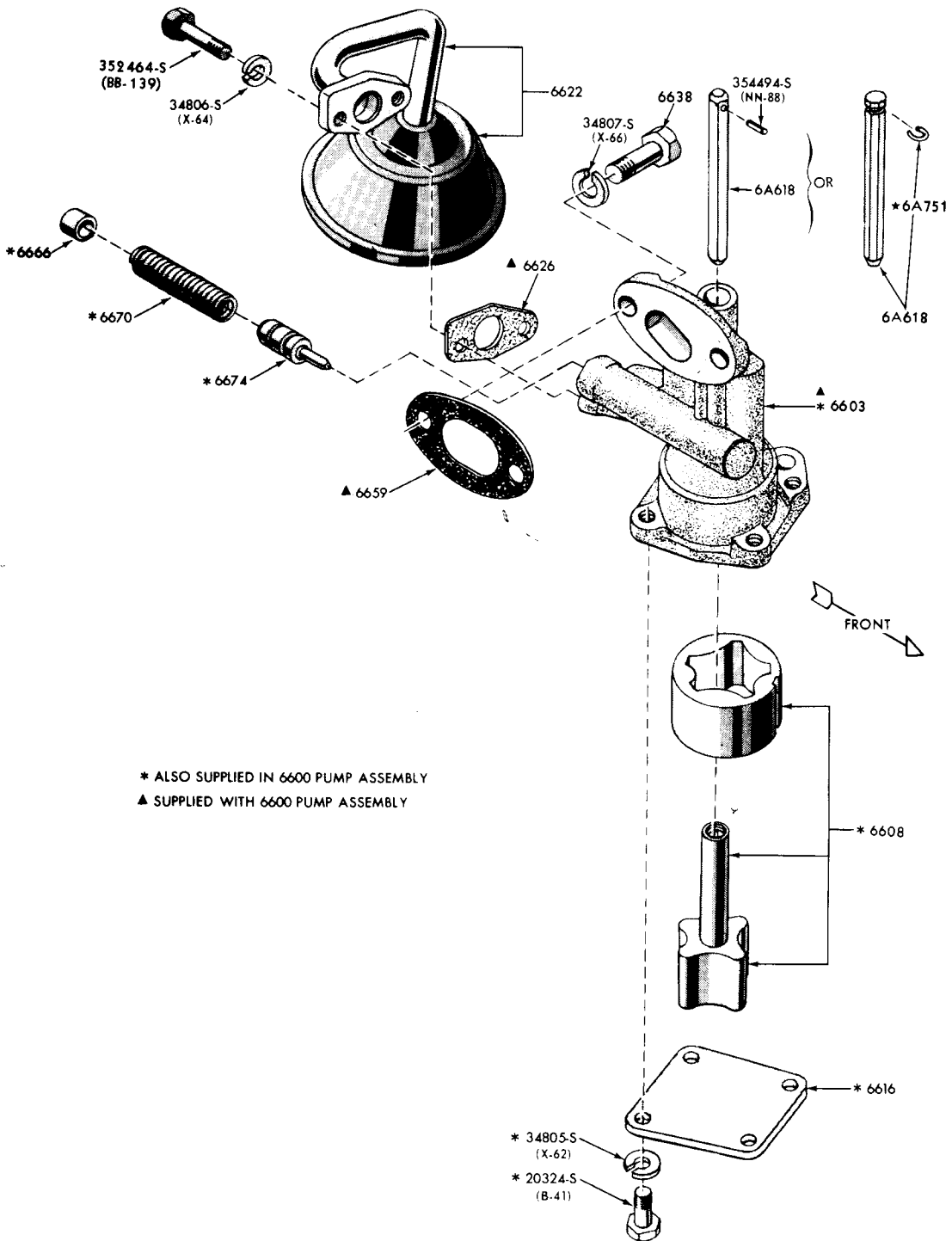


P-2826



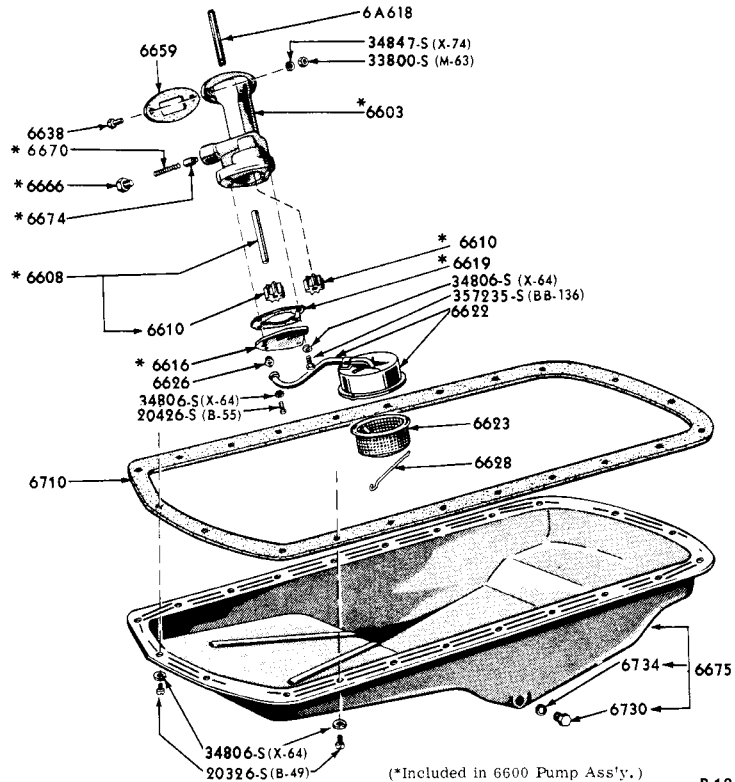
*SUPPLIED IN 6600 PUMP ASSEMBLY

P-2963



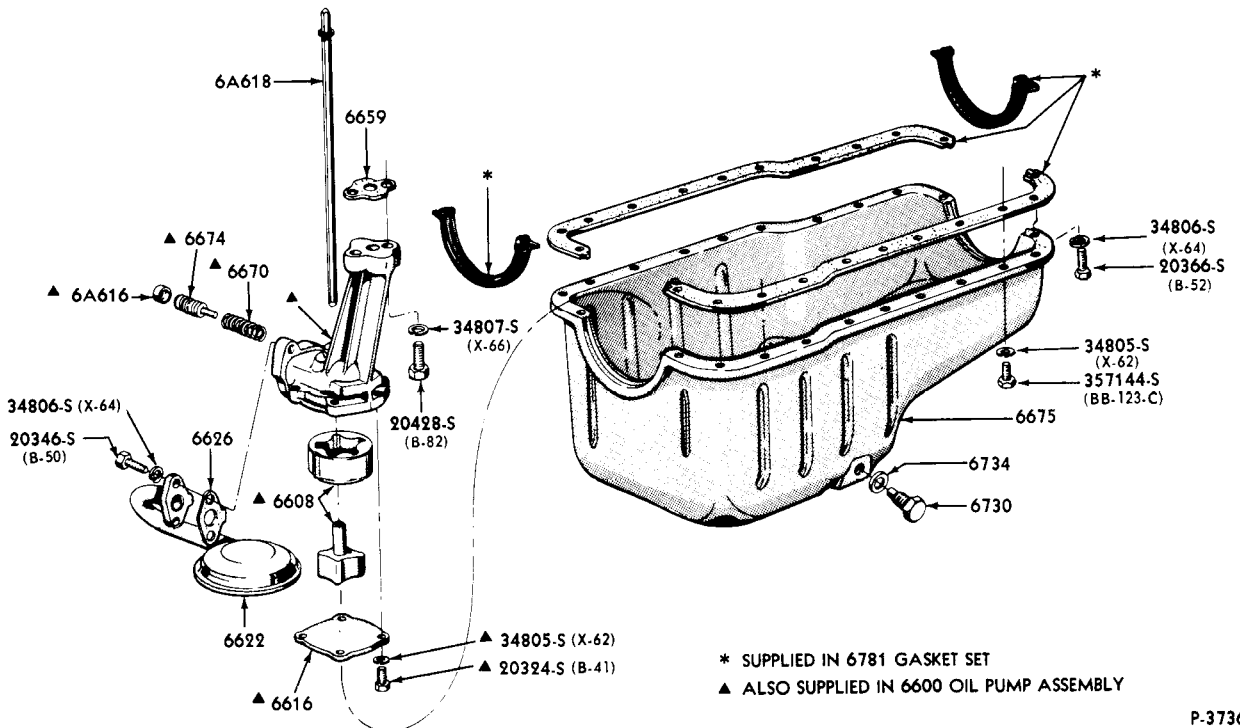
* ALSO SUPPLIED IN 6600 PUMP ASSEMBLY

▲ SUPPLIED WITH 6600 PUMP ASSEMBLY



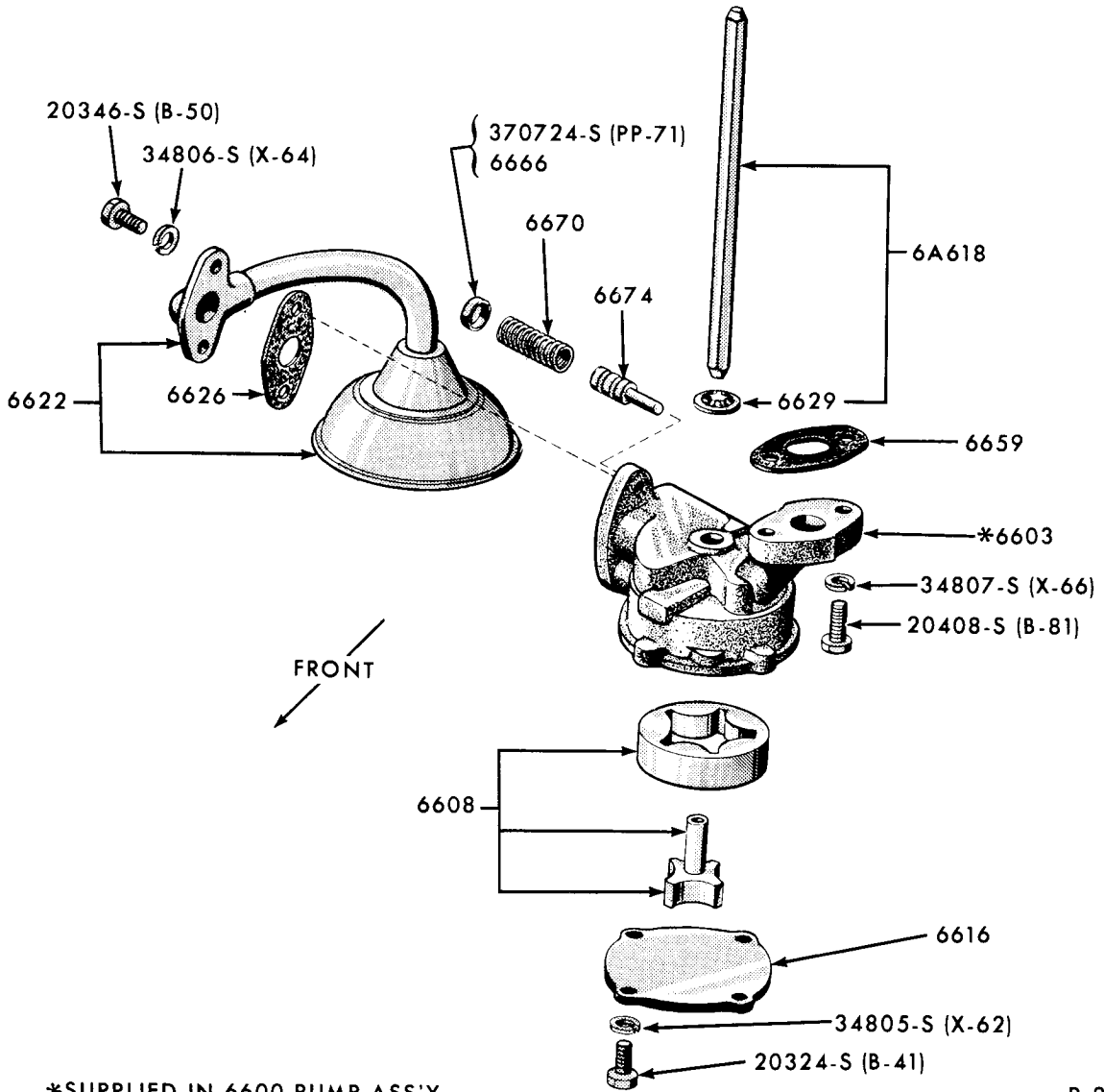
P-1245

1960/61 OIL PUMP, OIL PAN & RELATED PARTS (6 CYLINDER 223 ENGINE)



P-3736

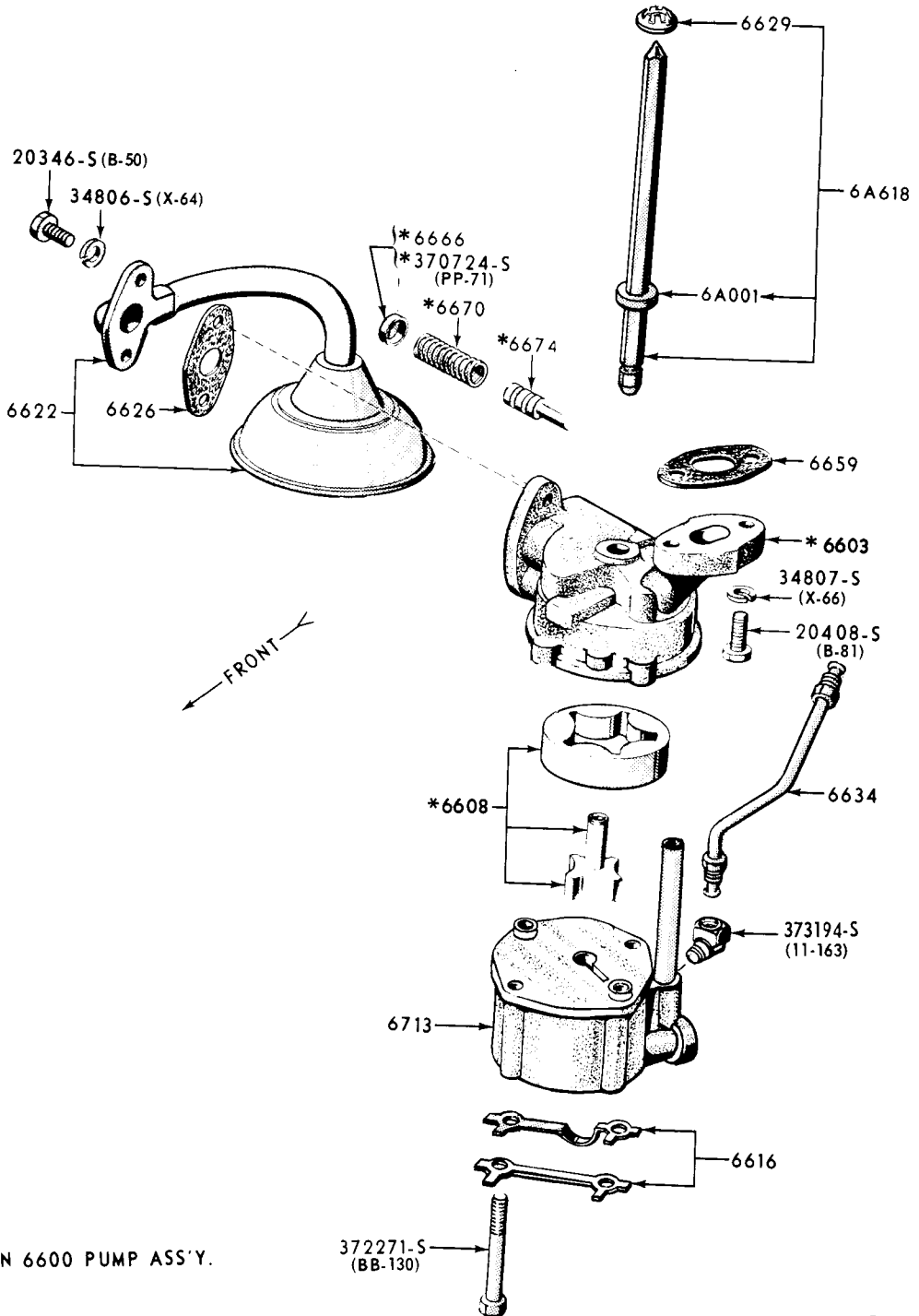
1962/ OIL PUMP, OIL PAN & RELATED PARTS (8 CYLINDER 221, 260, 289 ENGINES)-TYPICAL



*SUPPLIED IN 6600 PUMP ASS'Y

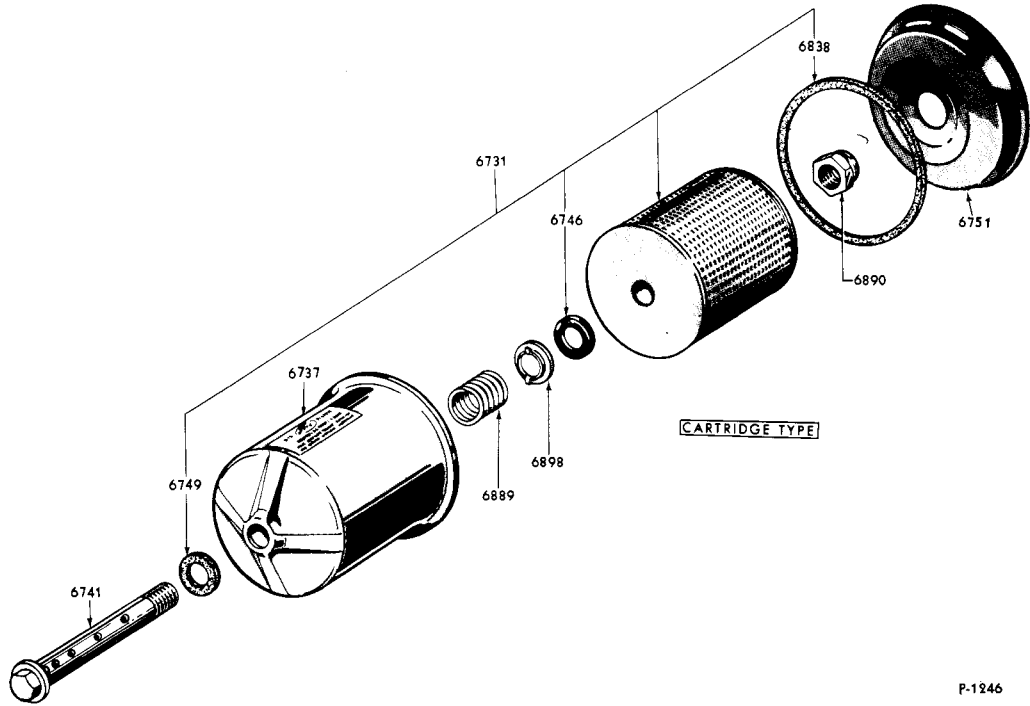
P-2476

1960/ OIL PUMP & RELATED PARTS (8 CYLINDER 352, 390, 406, 427 ENGINES)-TYPICAL



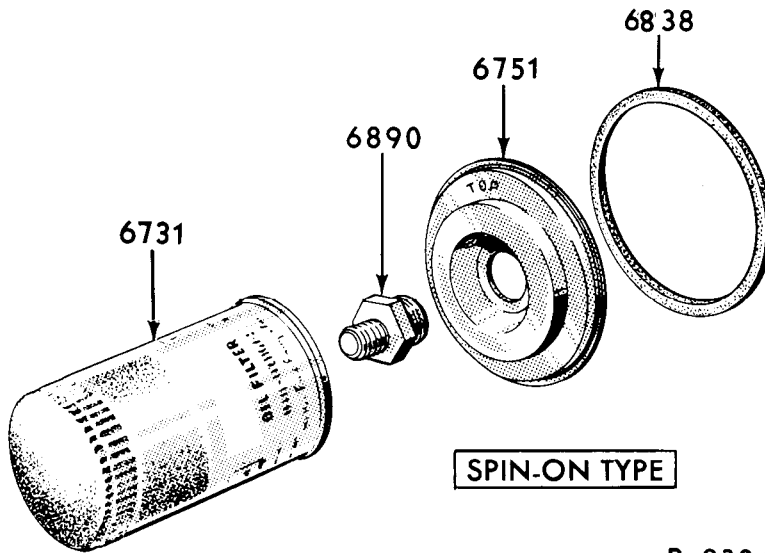
*ALSO SUPPLIED IN 6600 PUMP ASS'Y.

P-2791



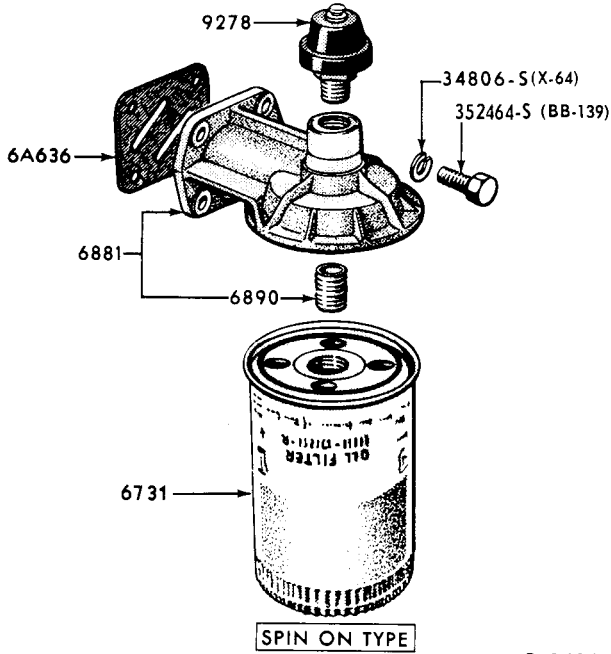
P-1246

1960/ OIL FILTER & RELATED PARTS (6 CYL. 170, 200, 223 & 8 CYL. 221, 260, 289 ENGINES)-TYPICAL



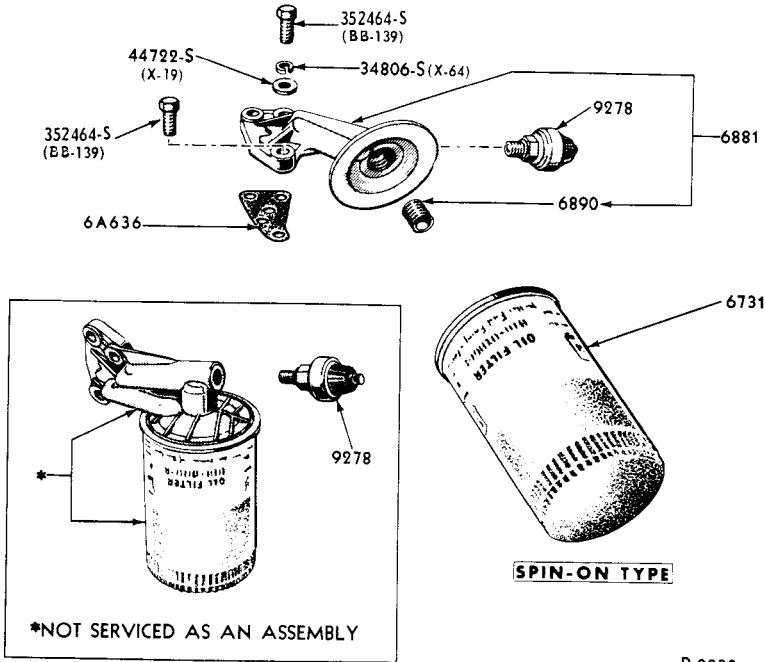
P-2384

1960/ OIL FILTER & RELATED PARTS
(6 CYL. 144, 170, 200, 223 & 8 CYL. 221, 260, 289, 352, 390, 406, 427, 430 ENGINES)-TYPICAL



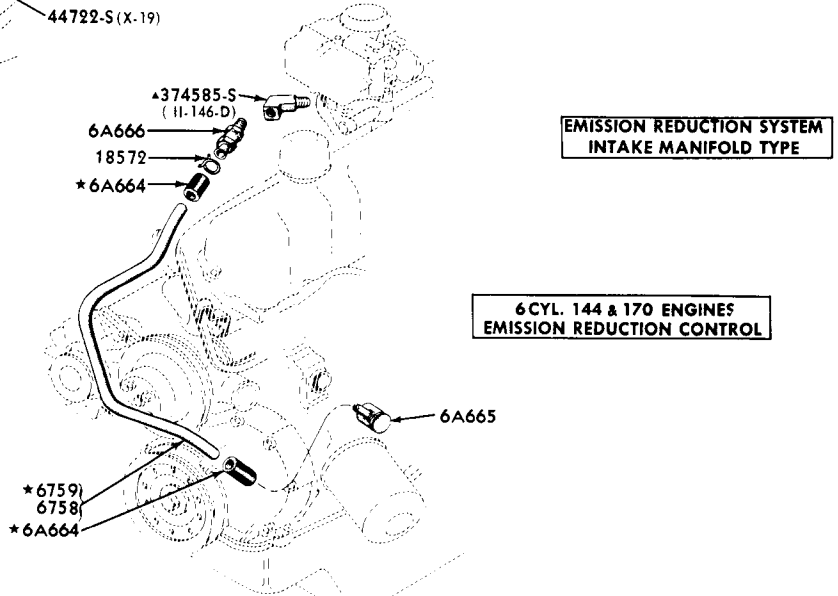
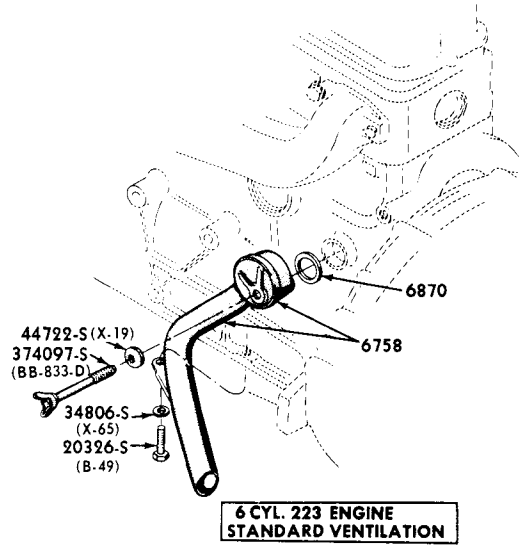
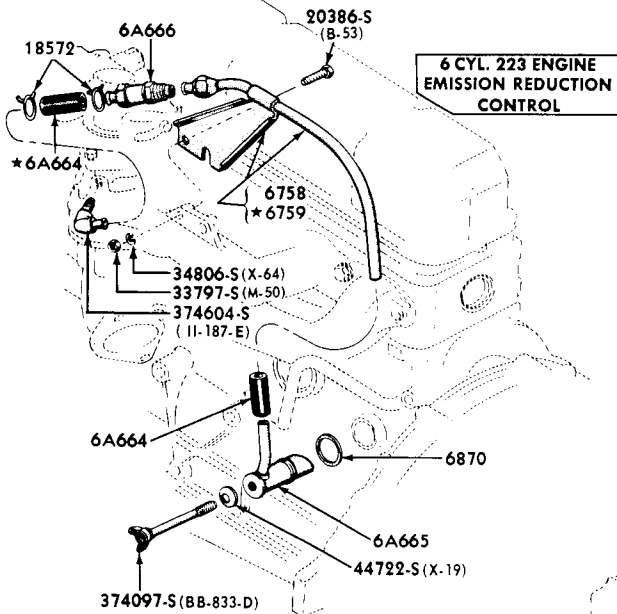
P-2486

1960/ OIL FILTER & RELATED PARTS (8 CYLINDER 352, 390, 406, 427 ENGINES)-TYPICAL



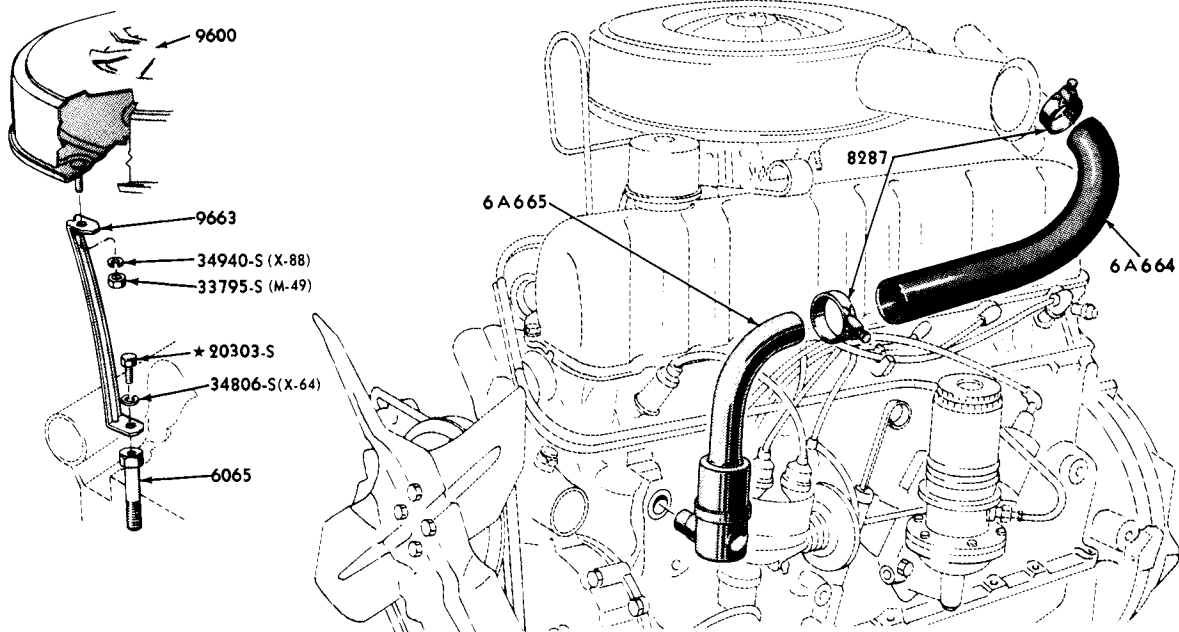
P-2830

1960 OIL FILTER & RELATED PARTS (8 CYLINDER 430 ENGINE)-TYPICAL

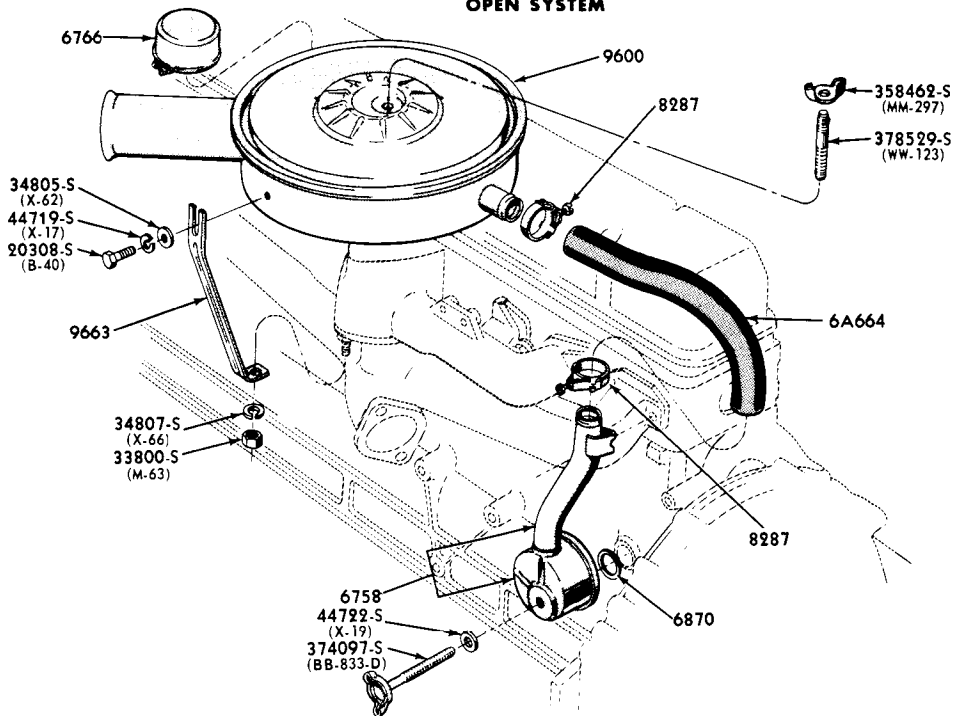


* USE 373084-S (PLUG) TO PLUG HOLE FOR NON-EMISSION USAGE

P-3481



**6 CYLINDER 144 & 170 C.I.D. ENGINES
OPEN SYSTEM**

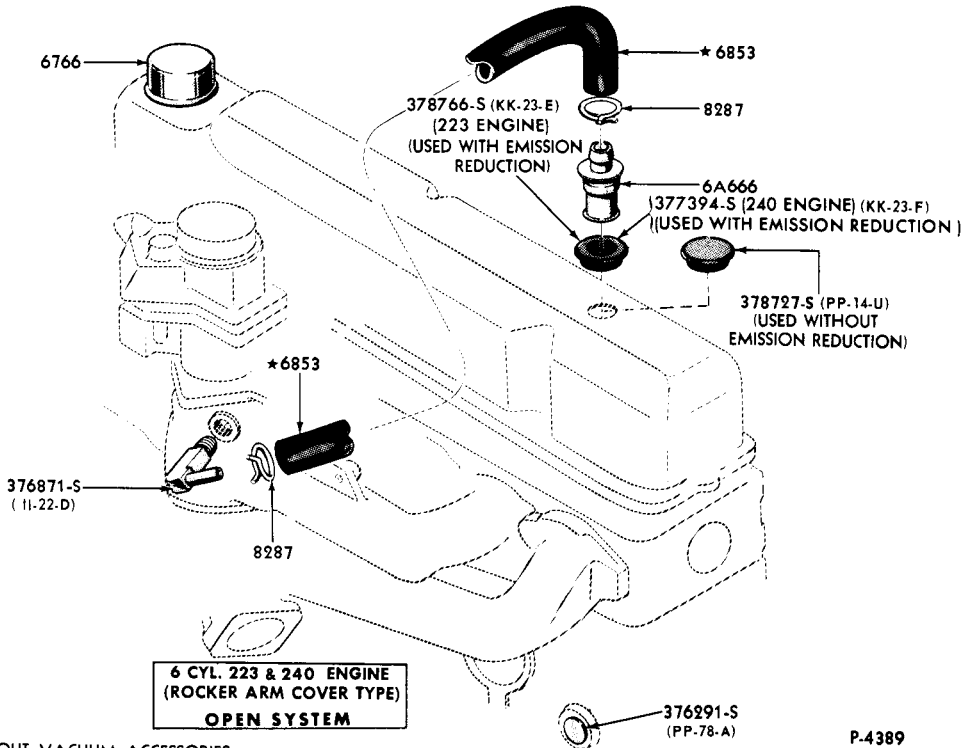
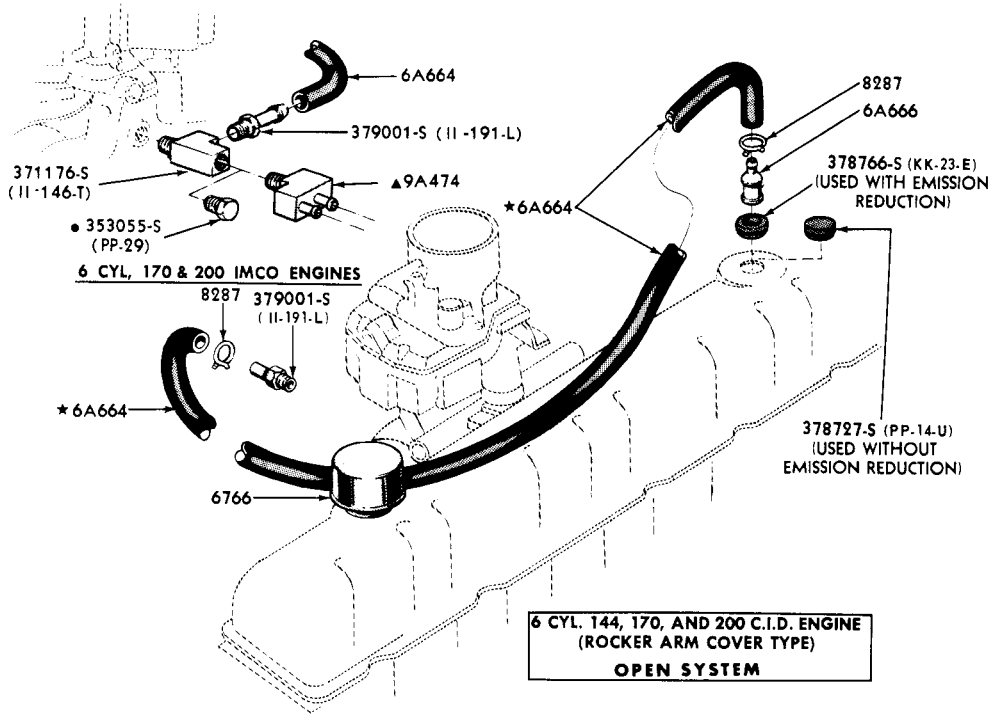


**6 CYLINDER 223 ENGINE
OPEN SYSTEM**

P-4106

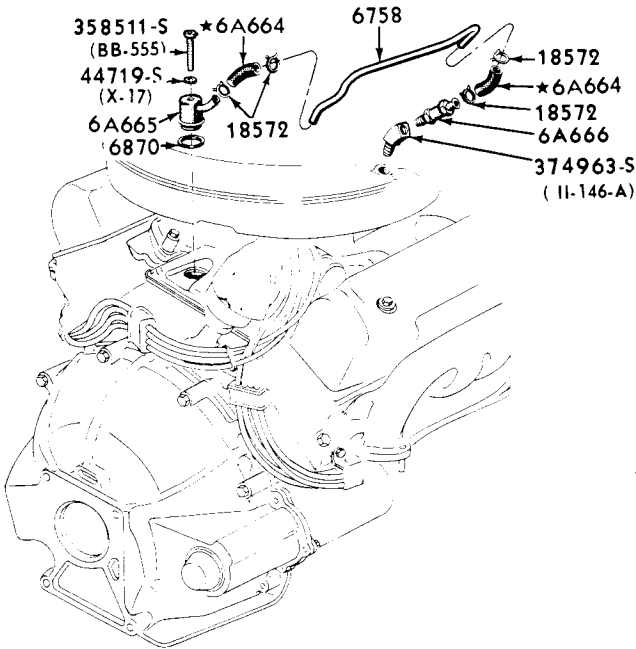
ILLUSTRATION SECTION 66

FORD CAR PARTS

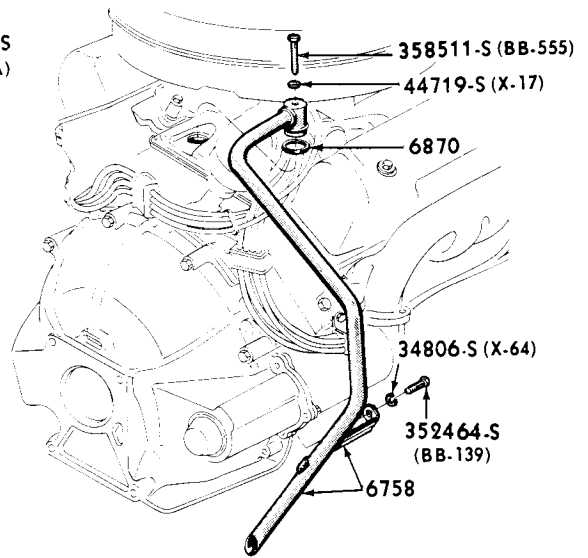


● WITHOUT VACUUM ACCESSORIES
▲ WITH VACUUM ACCESSORIES

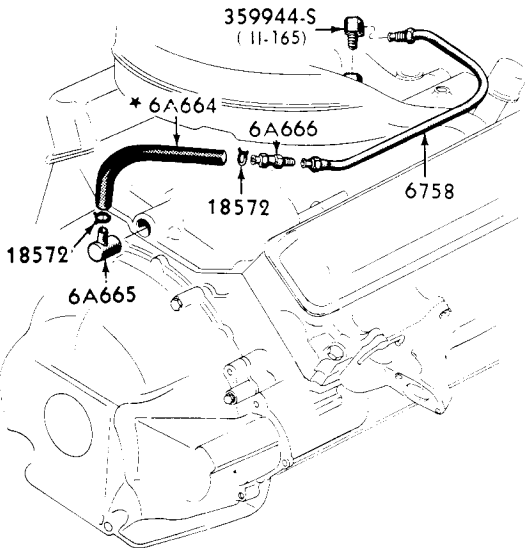
P-4389



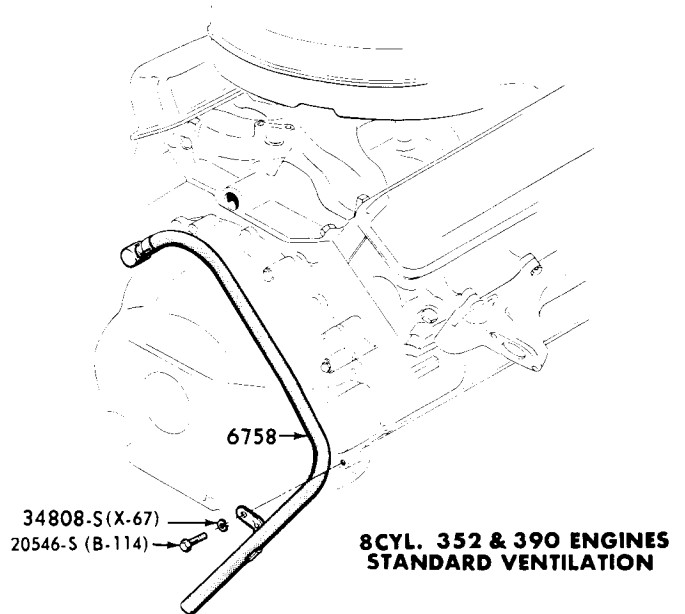
**8 CYL. 292 ENGINE
EMISSION REDUCTION CONTROL
(1961/62)**



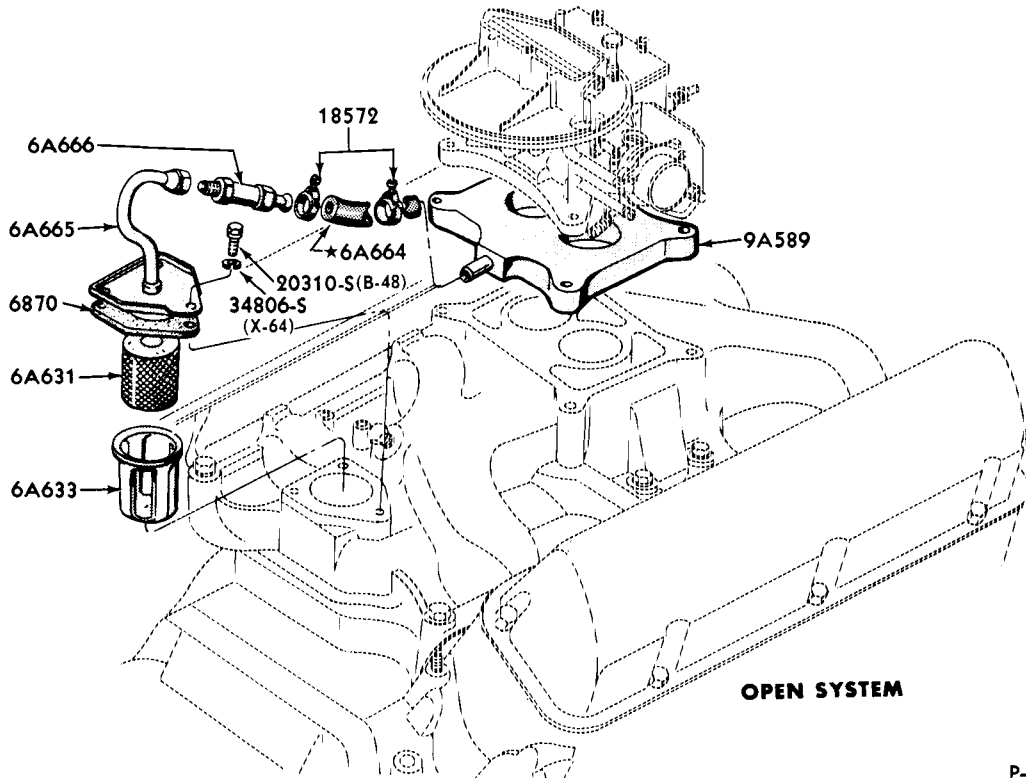
**8 CYL. 292 ENGINE
STANDARD VENTILATION**



**8CYL. 352 & 390 ENGINES
EMISSION REDUCTION CONTROL
(1961)**

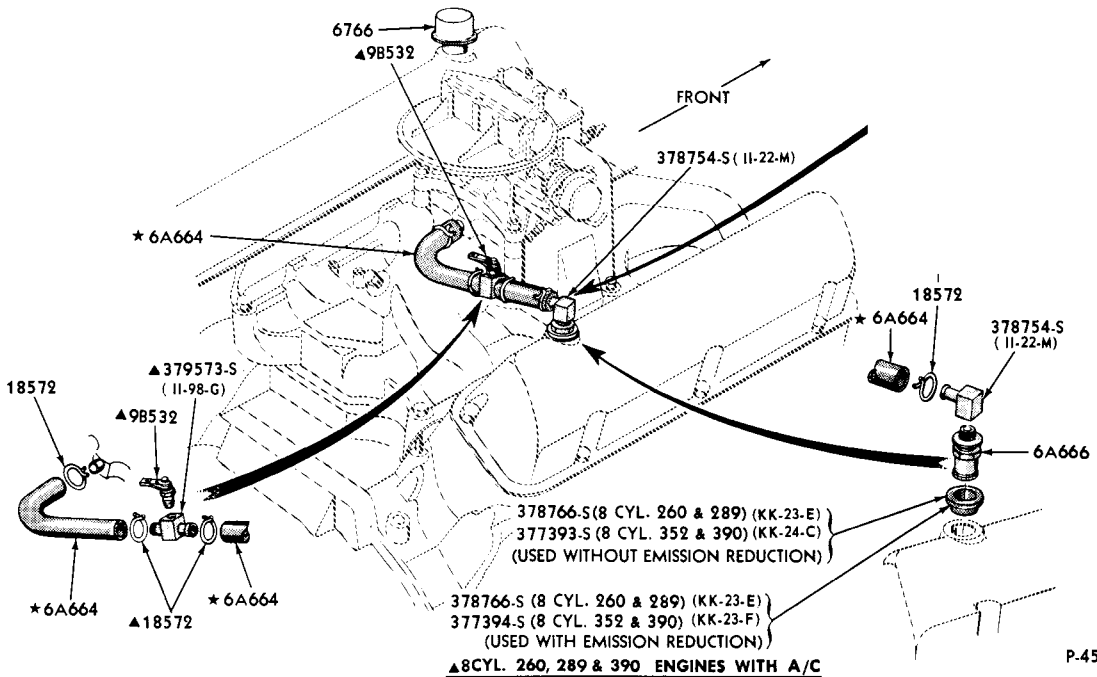


**8CYL. 352 & 390 ENGINES
STANDARD VENTILATION**



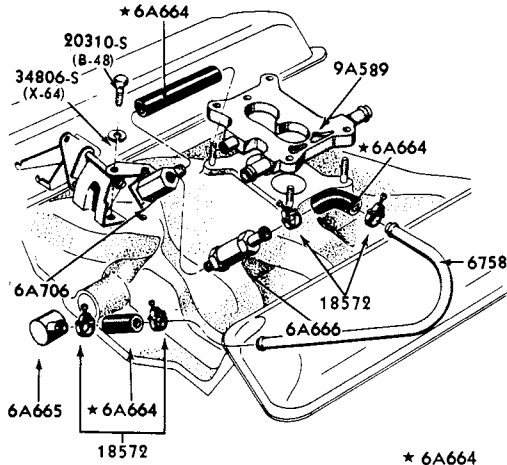
P-4146

1962/ CRANKCASE VENT SYSTEM-INTAKE MANIFOLD TYPE-EMISSION REDUCTION
(8 CYLINDER 221, 260, 289 ENGINES)

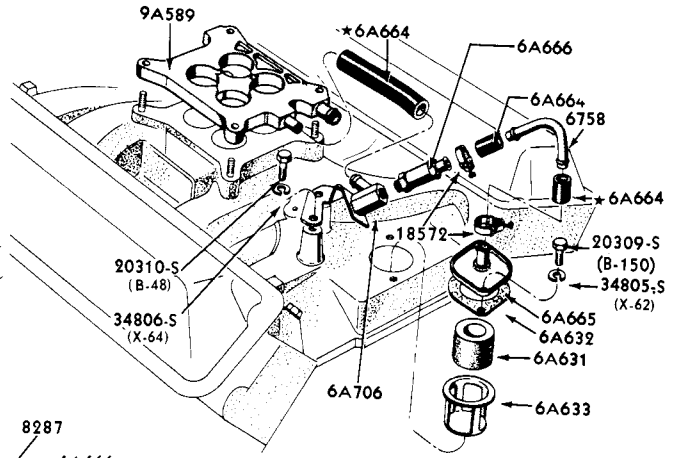


P-4592

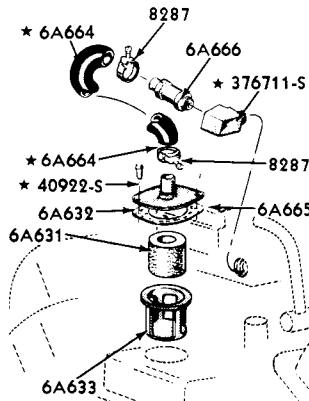
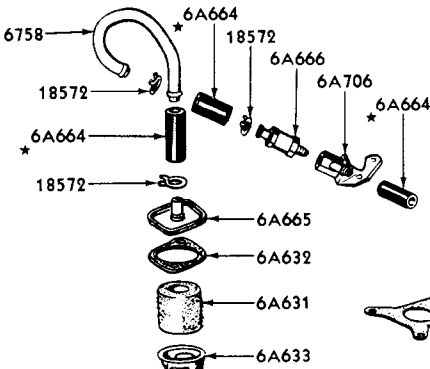
CRANKCASE VENT SYSTEM-ROCKER ARM COVER TYPE & HOT IDLE COMPENSATOR
1964/ (8 CYL. 260, 289 ENGINES)



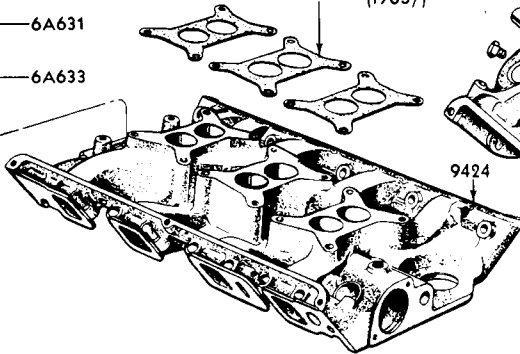
352 C.I.D. (2V)
OPEN SYSTEM
(1962/64)



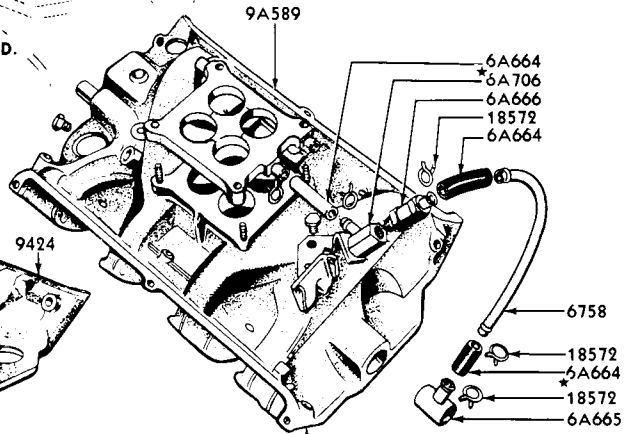
406 & 427 C.I.D. (4V)
OPEN SYSTEM
(1963/)



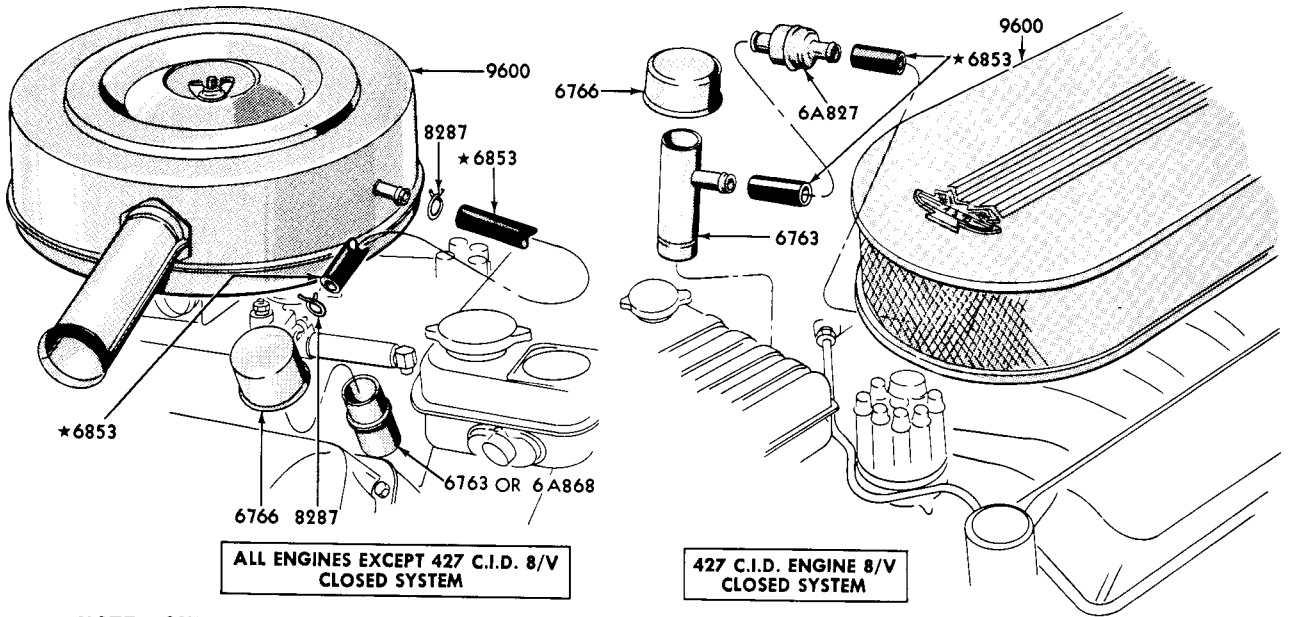
427 8V C.I.D.
(1963/)



406 & 427 C.I.D. (6V)
OPEN SYSTEM
(1963/)



352 & 390 C.I.D. (4V)
OPEN SYSTEM
(1962/64)



ALL ENGINES EXCEPT 427 C.I.D. 8/V
CLOSED SYSTEM

427 C.I.D. ENGINE 8/V
CLOSED SYSTEM

NOTE - ONLY AIR CLEANER OIL BREATHER CAP PORTION SHOWN.
REFER TO PAGES 192 THRU 197 SECTION 66 FOR BALANCE OF EMISSION CONTROL SYSTEM

P.4575

1964/ CRANKCASE VENT SYSTEM-EMISSION REDUCTION
(6 CYLINDER 144, 170, 200, 223 & 8 CYLINDER 260, 289, 352, 390, 427 ENGINES)

INDEX

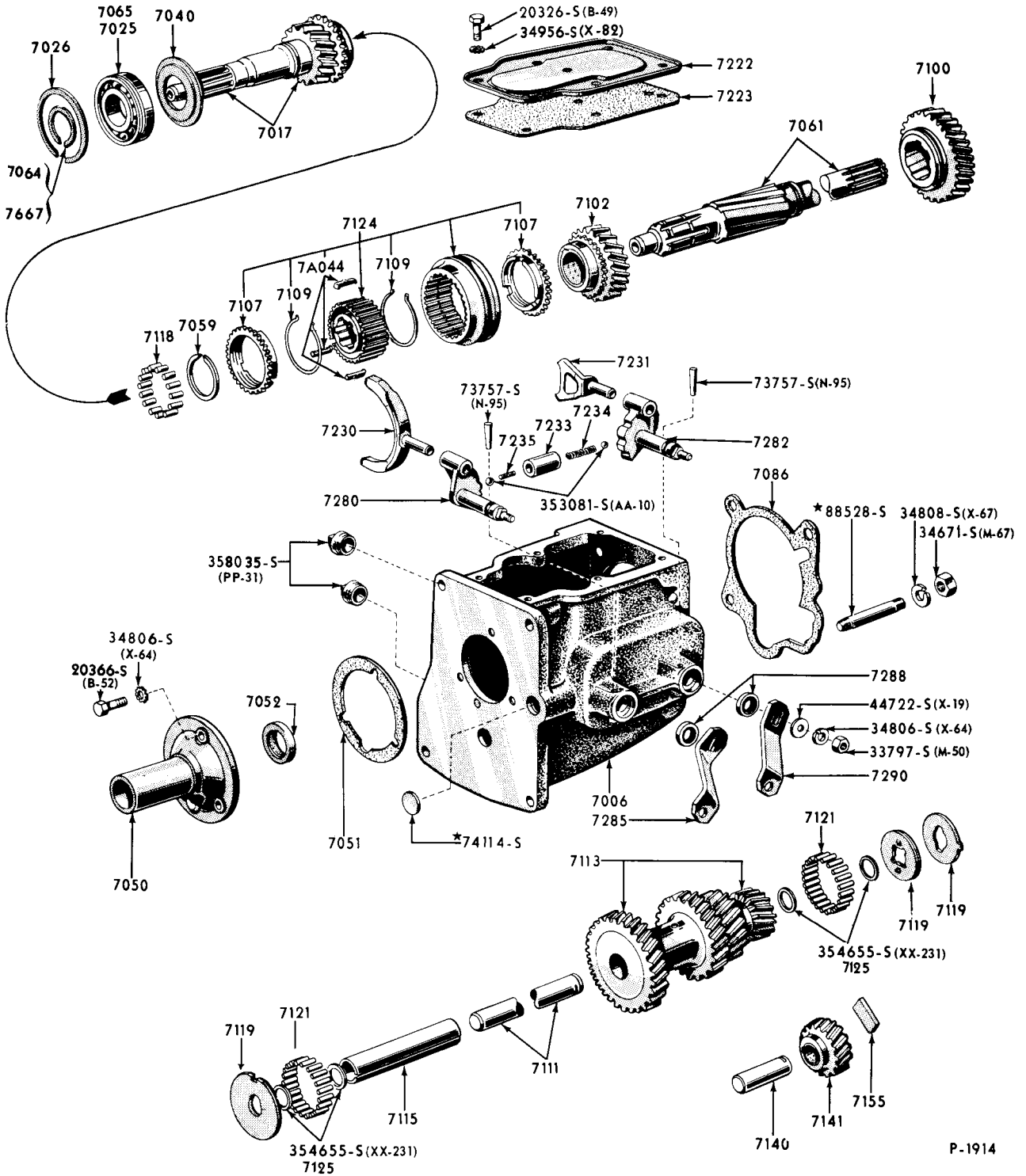
INCLUDED IN THIS INDEX ARE THE FOLLOWING MAJOR GROUPS IN THE ORDER SHOWN BELOW:

CLUTCH and CLUTCH PEDAL
OVERDRIVE
SHIFT HOUSING, LEVERS, FORKS, etc.
STANDARD TRANSMISSION
GEAR SHIFT MECHANISM- CONSOLE OR FLOOR MOUNTED
STEERING COLUMN and SHIFT MECHANISM - STANDARD & OVERDRIVE

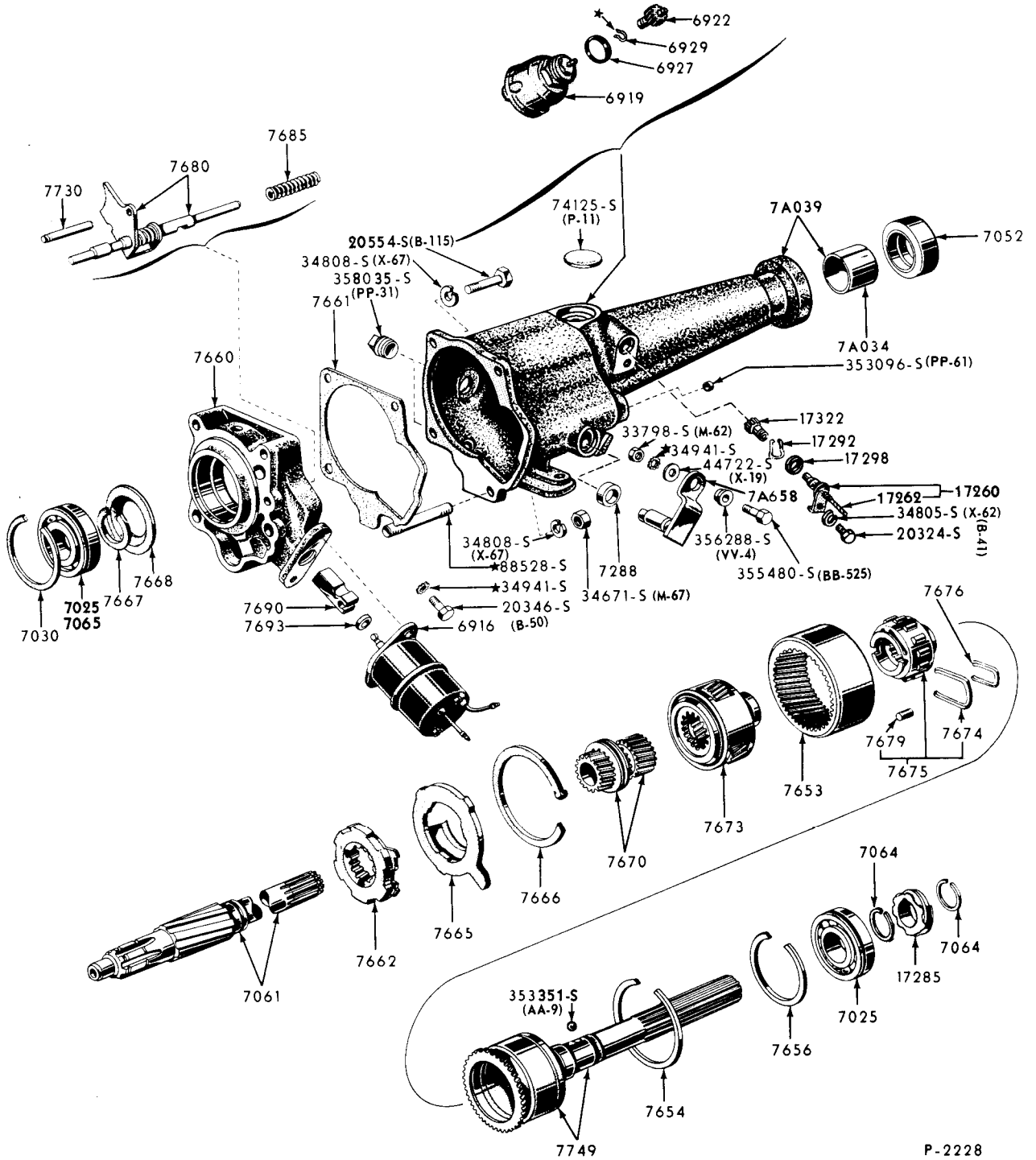
YEAR	TITLE	ILLUS. NO.	SECTION	PAGE
CLUTCH and CLUTCH PEDAL				
- A -				
1960/62	Clutch, Clutch Pedal, etc. (6 & 8 Cylinder Engines)-Ford-Typical	P-2975	75	227
1960	Clutch & Brake Pedals & Related Parts-Ford	P-2972	24	62
1963/64	Clutch & Brake Pedals & Related Parts-Ford	P-4174	24	63
- B -				
1962/	Clutch, Clutch Pedal, etc. -Fairlane-Typical	P-3738	75	228
1962/	Clutch & Brake Pedals & Related Parts-Fairlane	P-3674	24	64
- S -				
1960	Clutch, Clutch Pedal, etc. -Thunderbird-Typical	P-3080	75	229
1960	Clutch & Brake Pedals & Related Parts-Thunderbird	P-3079	24	64
- X -				
1960/	Clutch, Clutch Pedal, etc. (6 Cylinder 144,170,200 Engines)-Falcon-Typical	P-3141	75	230
1960/	Clutch & Brake Pedals & Related Parts-Falcon	P-3130	24	65
OVERDRIVE				
1960	Transmission Overdrive Wiring and Controls	P-3182	140	448
1960/	3 Speed Overdrive Transmission-Less Housing (6 & 8 Cylinder 223,289, 292 Engines)-Ford, Fairlane-Typical	P-1914	70	201
1960/	3 Speed Overdrive Transmission Housing & Related Parts (6 & 8 Cylinder 223, 289, 292 Engines)-Ford-Typical	P-2228	70	202
1960/	3 Speed Overdrive Transmission Housing & Related Parts (8 Cyl.352,390 Engines)-Ford-Typical	P-2144	70	203
1960	3 Speed Overdrive Transmission Housing & Related Parts (8 Cylinder 352 Engine)-Thunderbird-Typical	P-2144	70	203
SHIFT HOUSING, LEVERS, FORKS etc.				
- A -				
1960/62	Gear Shift Housing, Levers, Forks, etc. (Standard Transmission)-Ford-Typical	P-2648	72	211
1960/	Gear Shift Housing, Levers, Forks, etc.-Overdrive Trans. (6 & 8 Cylinder)-Ford - Typical	P-2478	72	212
1961	Interlock Linkage-Standard Transmission (6 & 8 Cylinder Engines)-Ford-Typical	P-3605	72	213
1962/	Interlock Linkage-Overdrive Transmission (6 & 8 Cylinder Engines)-Ford-Typical	P-3917	72	214
- B -				
1962/63	Interlock Linkage-Standard & Overdrive Transmission (Fairlane)	P-3919	72	215
- S -				
1960	Gear Shift Housing, Levers, Forks, etc. -Standard & Overdrive Transmissions (8 Cylinder 352 Engine)- Thunderbird	P-2478	72	212
- X -				
1962/64	Gear Shift Levers, Extension Housing, Forks, Controls & Linkage (4 Speed Transmission-Dagenham)-Falcon	P-3904	72	216

INDEX

YEAR	TITLE	ILLUS. NO.	SECTION	PAGE
STANDARD TRANSMISSION				
1960/62	3 Speed Standard Transmission - 2 15/16 Type - Ford-Fairlane-Typical	P-2227	70	204
1963/	3 Speed Standard Transmission & Extension (303 Synchro)-Ford, Fairlane, Falcon-Typical	P-4012	70	205
1960/	3 Speed Standard Transmission & Extension - 2.77 Type-Fairlane, Falcon-Typical	P-2966	70	206
1960	3 Speed Standard Transmission - 2 15/16 Type - Thunderbird	P-2475	70	207
1960/	4 Speed Standard Transmission Housing, Extension & Gear Train (Warner Gear Design)	P-3744	70	208
1962/	4 Speed Standard Transmission Housing, Extension & Gear Train (Dagenham Design)	P-3903	70	209
1964/	4 Speed Standard Transmission Housing, Extension & Gear Train (Ford Design)	P-4424	70	210
GEAR SHIFT MECHANISM - CONSOLE OR FLOOR MOUNTED				
1960/	Gear Shift Lever, Fork & Control (Warner Design 4-Speed Transmission-Floor & Console Mounted) - Typical	P-3745	72	217
1964/	Gear Shift Mechanism - Console or Floor Mounted (Ford Design 4-Speed Transmission)-Ford - Typical	P-5809	72	218
1964/	Gear Shift Mechanism - Console or Floor Mounted (Ford Design 4-Speed Transmission)-Fairlane, Falcon - Typical	P-5810	72	219
STEERING COLUMN and SHIFT MECHANISM - STANDARD & OVERDRIVE				
- A -				
1960	Steering Column & Shift Mechanism (Standard & Overdrive Transmissions-6 & 8 Cylinder Engines)-Ford-Typical	P-3069	72	220
1961/62	Steering Column & Shift Mechanism (Standard & Overdrive Transmissions-6 & 8 Cylinder Engines)-Ford-Typical	P-3503	72	221
1963/64	Steering Column & Shift Mechanism (Standard & Overdrive Transmission -6 & 8 Cylinder Engines)-Ford-Typical	P-4249	72	222
- B -				
1962/	Steering Column & Shift Mechanism (Standard & Overdrive Transmissions)-Fairlane	P-3712	72	223
- S -				
1960	Steering Column & Shift Mechanism (Standard & Overdrive Transmissions)-Thunderbird-Typical	P-2703	72	224
- X -				
1960	Steering Column & Shift Mechanism (Standard Transmission-6 Cylinder 144 Engine)-Falcon-Typical	P-3126	72	225
1964/	Steering Column & Shift Mechanism (Standard & Overdrive Transmission)-Falcon	P-4600	72	226

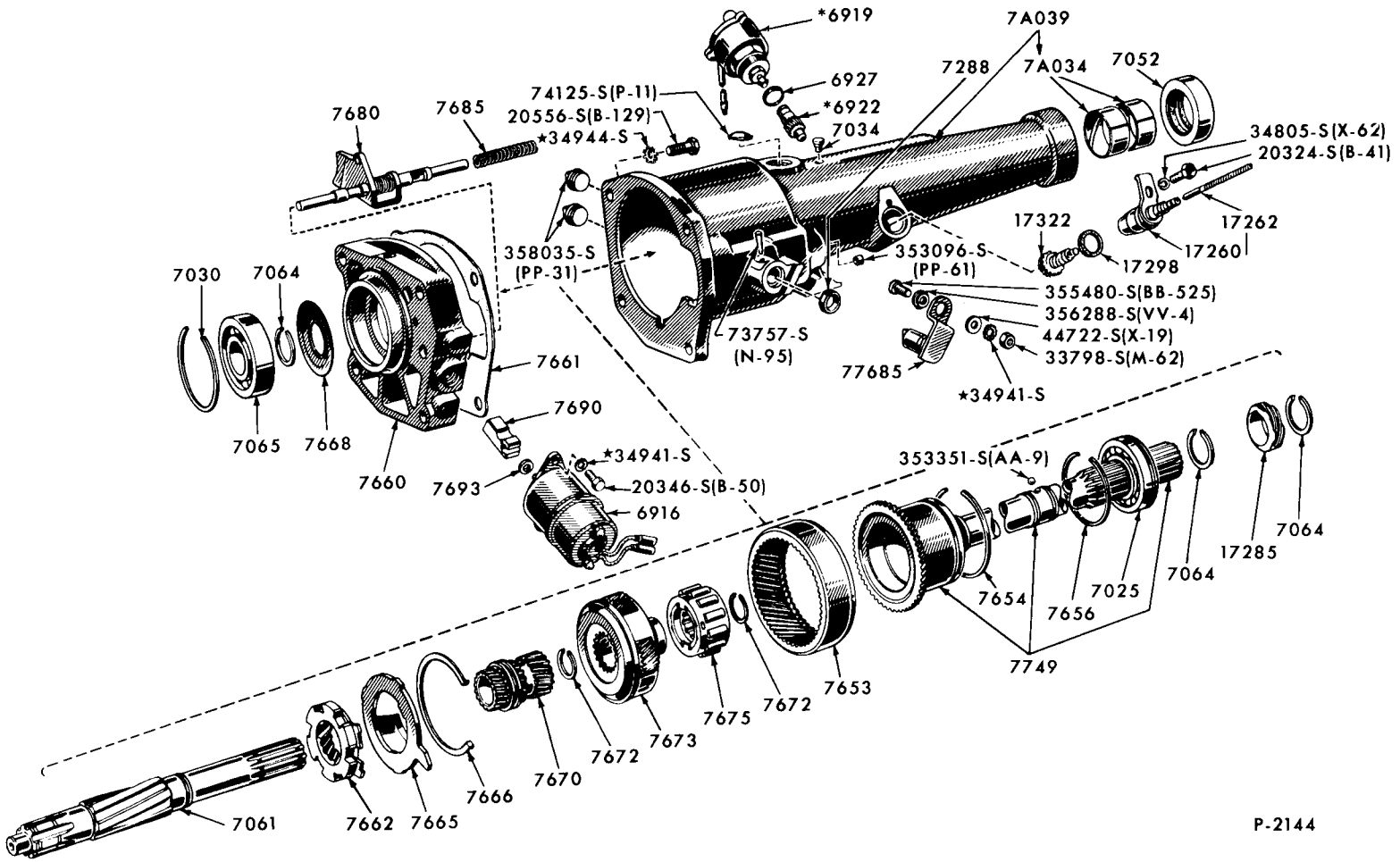


1960/ 3 SPEED OVERDRIVE TRANSMISSION-LESS HOUSING
(6 & 8 CYLINDER 223, 289, 292 ENGINES)-FORD, FAIRLANE-TYPICAL

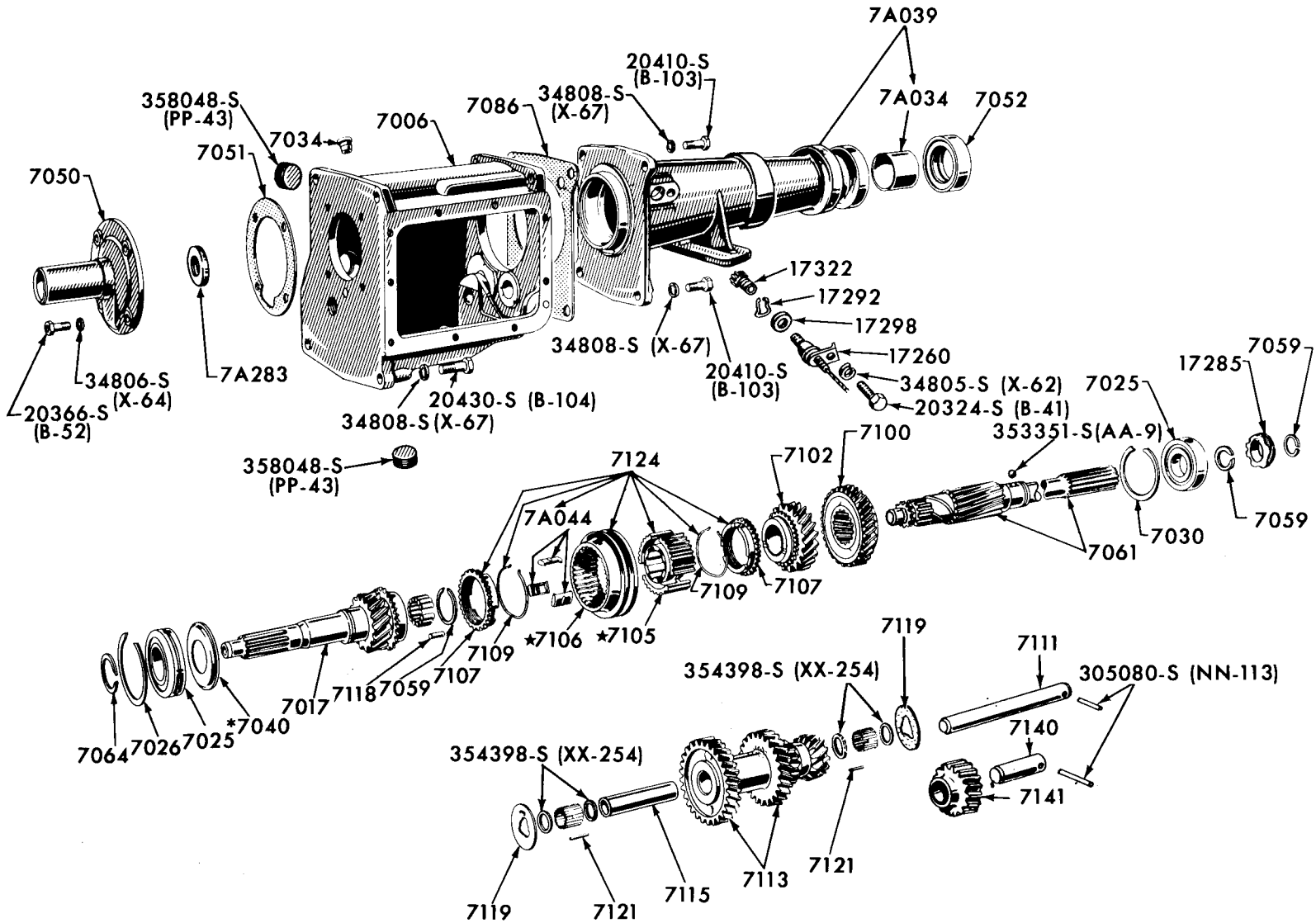


P-2228

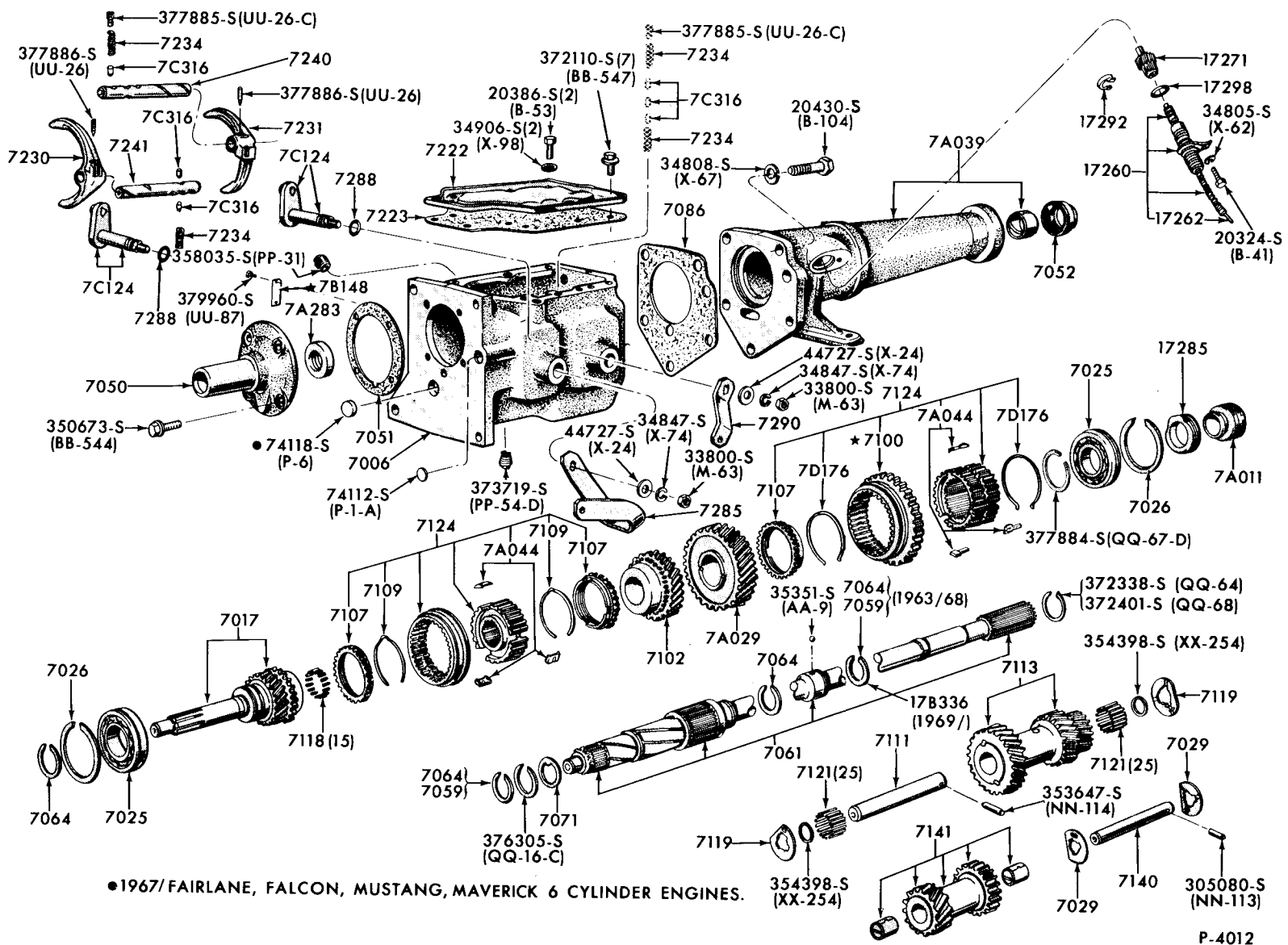
1960/ 3 SPEED OVERDRIVE TRANSMISSION HOUSING & RELATED PARTS
(6 & 8 CYLINDER 223, 289, 292 ENGINES)-FORD-TYPICAL



P-2144



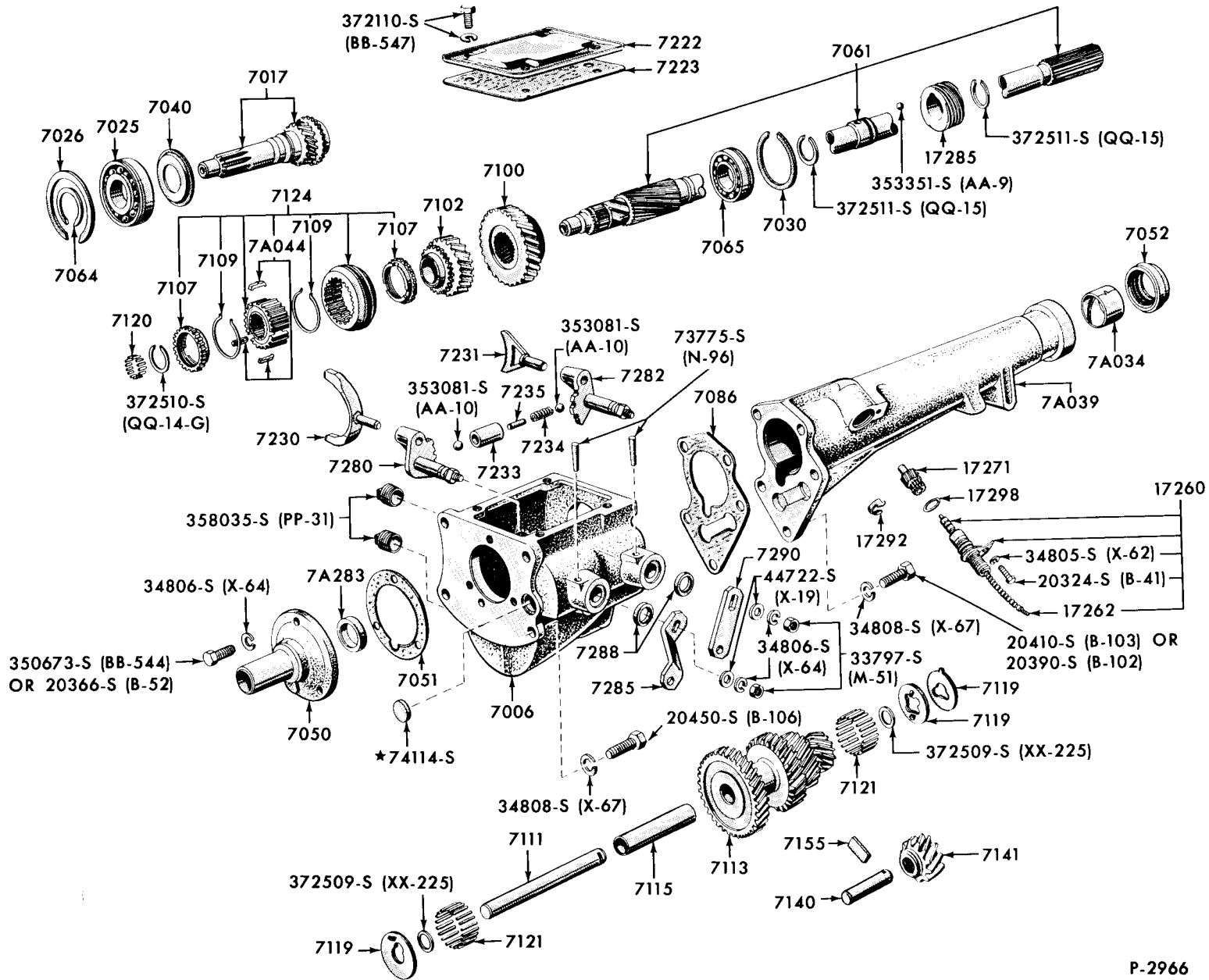
*USED ON 6 CYL. 223 AND 8 CYL. 272, 292



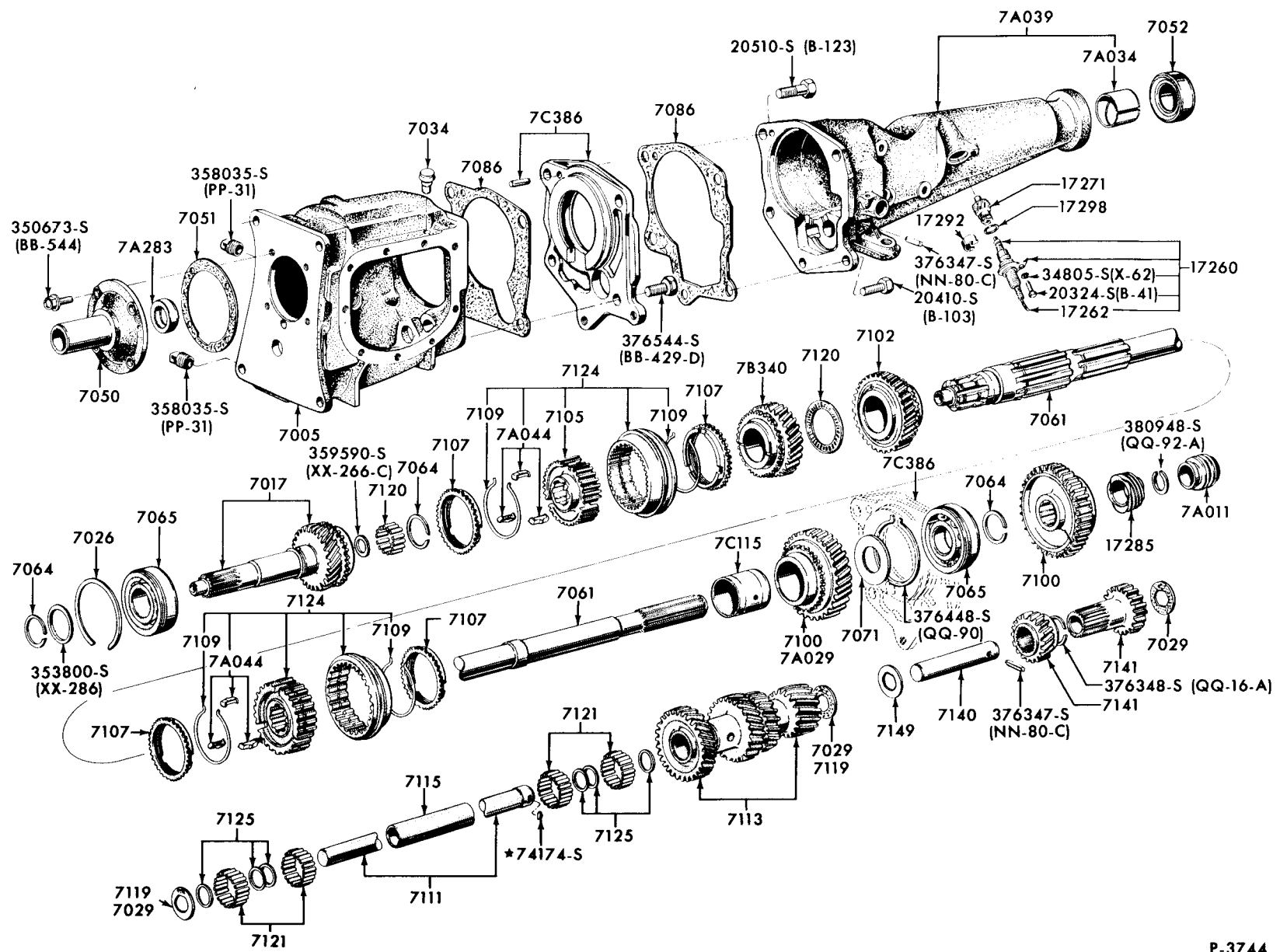
●1967/FAIRLANE, FALCON, MUSTANG, MAVERICK 6 CYLINDER ENGINES.

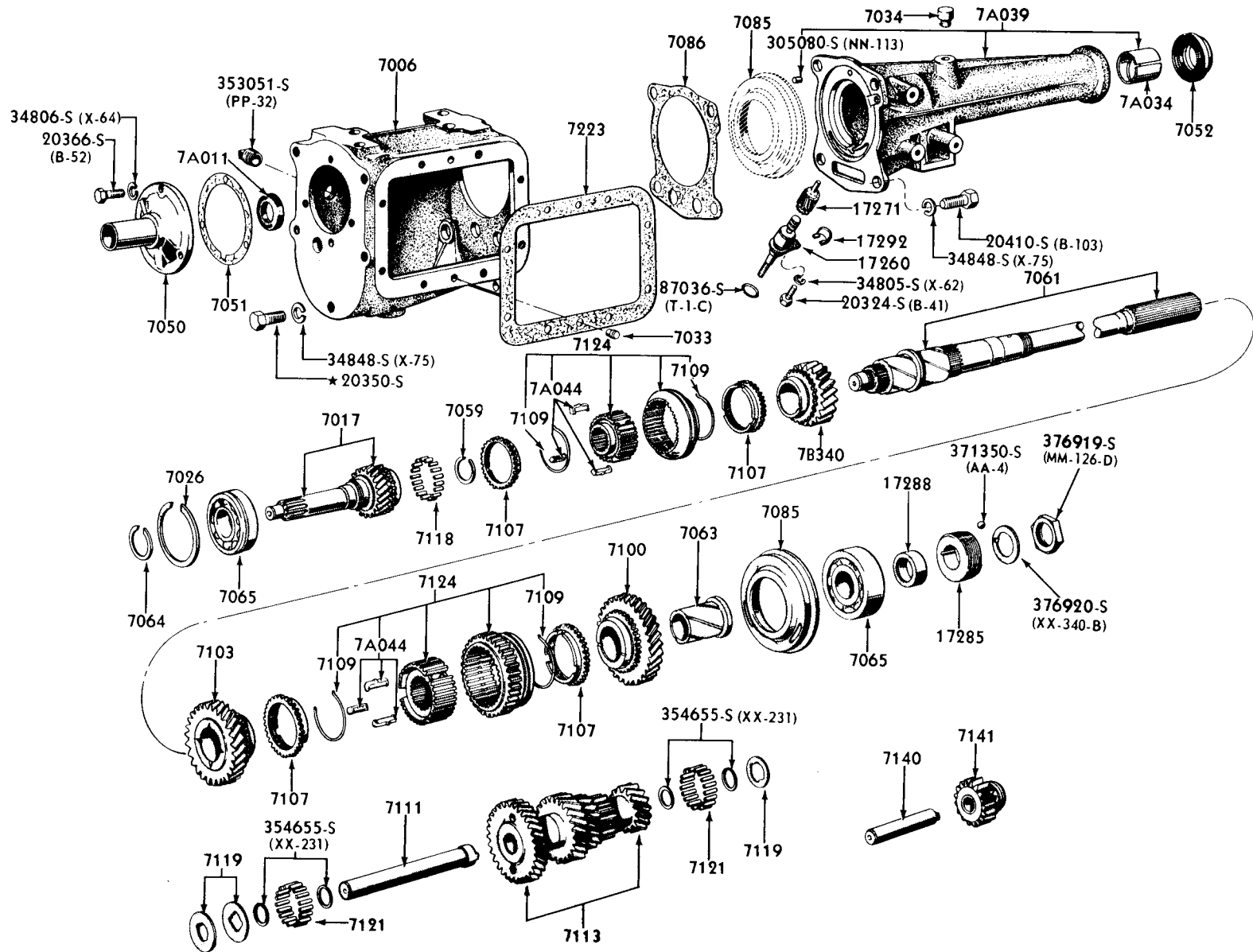
P-4012

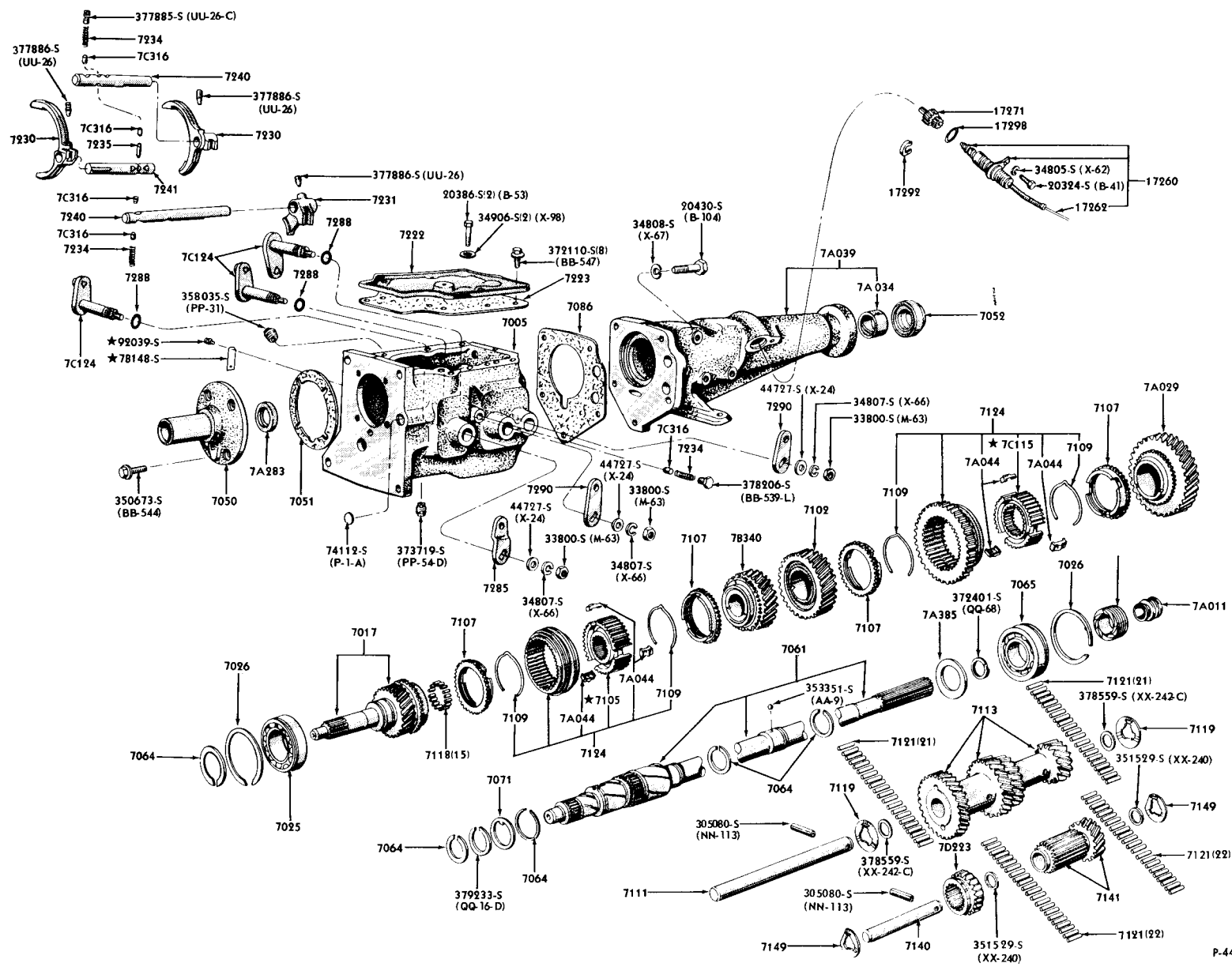
1963/ 3 SPEED STANDARD TRANSMISSION & EXTENSION (303 SYNCHRO)-
FORD, FAIRLANE, FALCON - TYPICAL



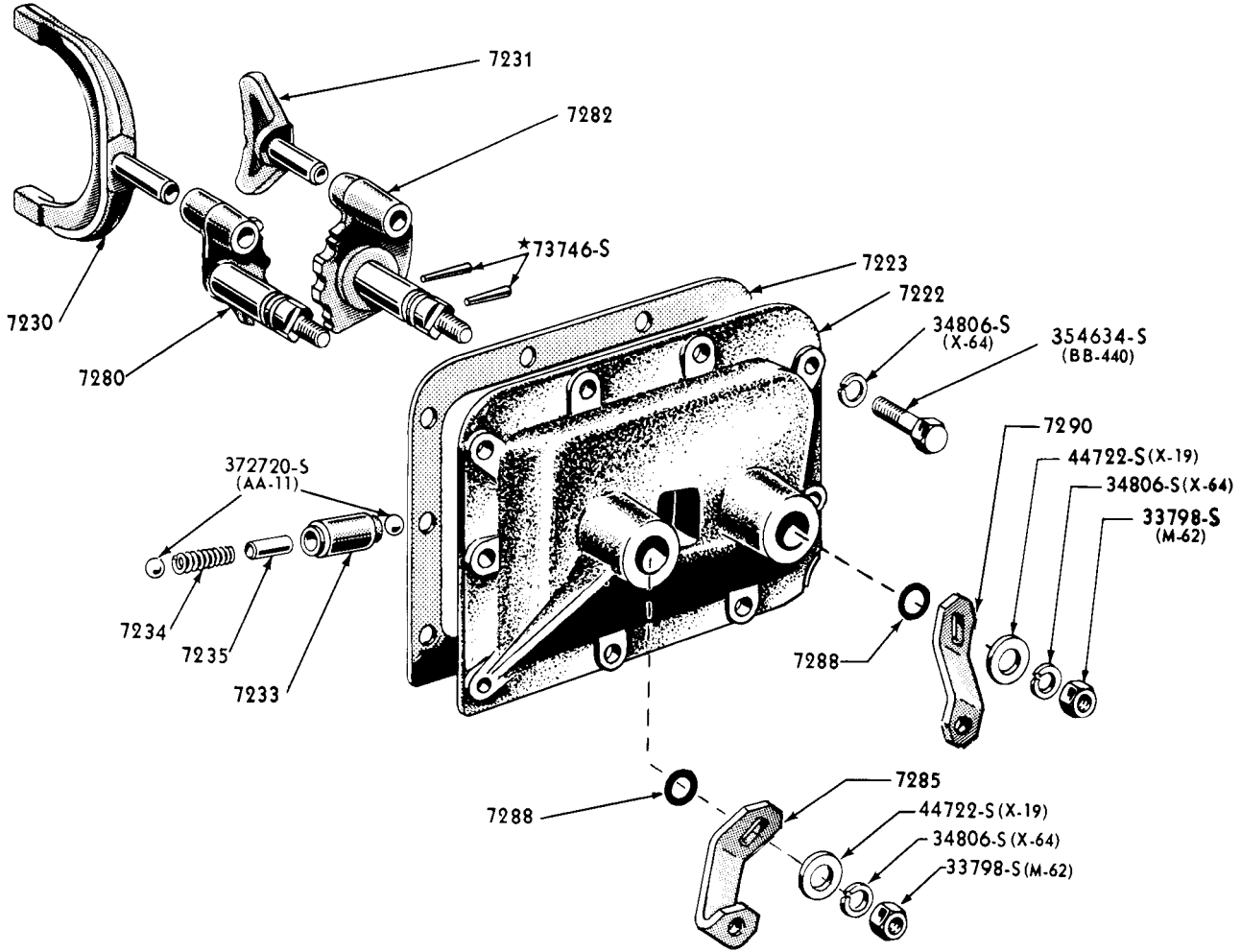
1960 / 3 SPEED STANDARD TRANSMISSION - 2.77 TYPE - FAIRLANE, FALCON-TYPICAL





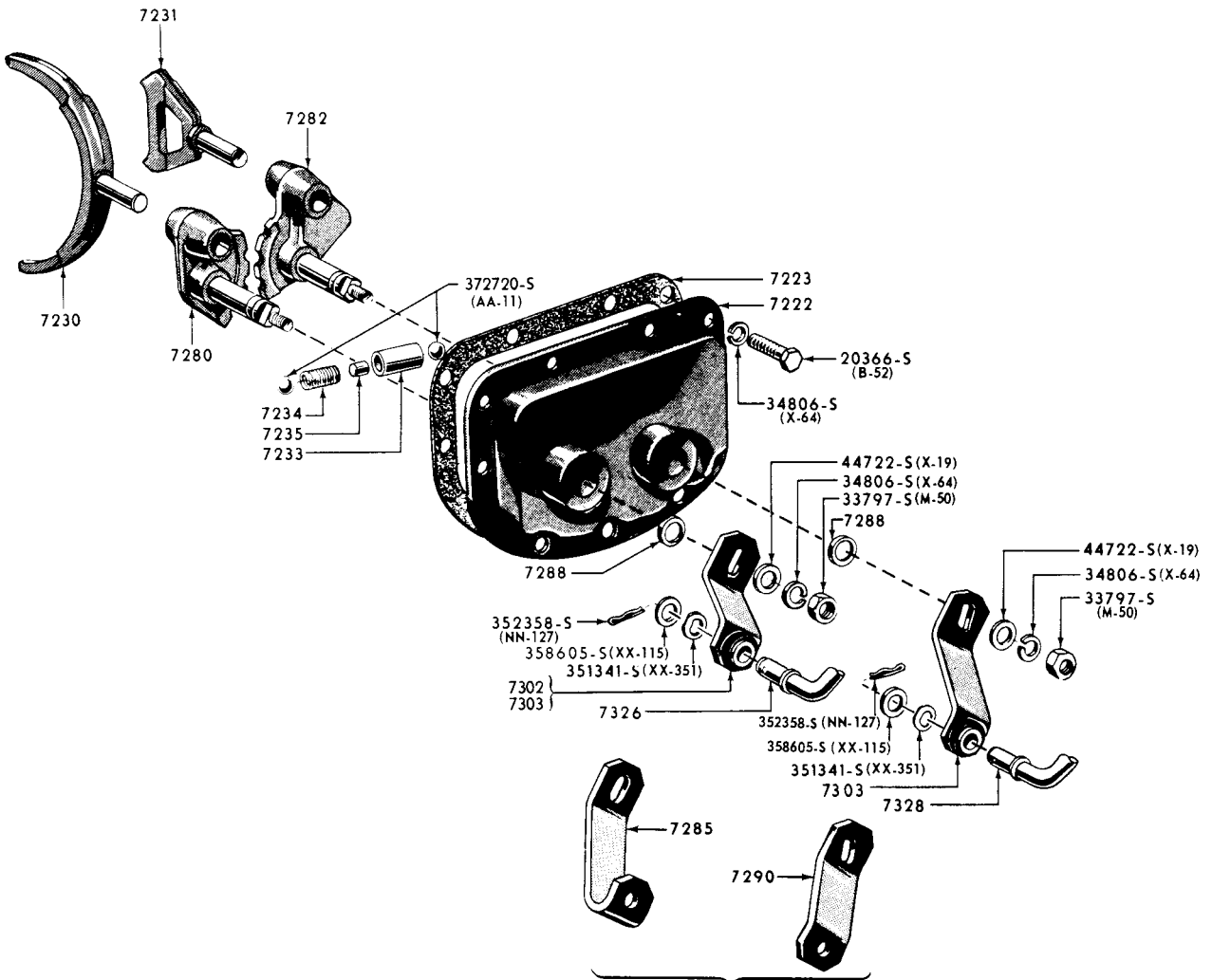


1964 / 4 SPEED STANDARD TRANSMISSION HOUSING, EXTENSION & GEAR TRAIN (FORD DESIGN)



P-2648

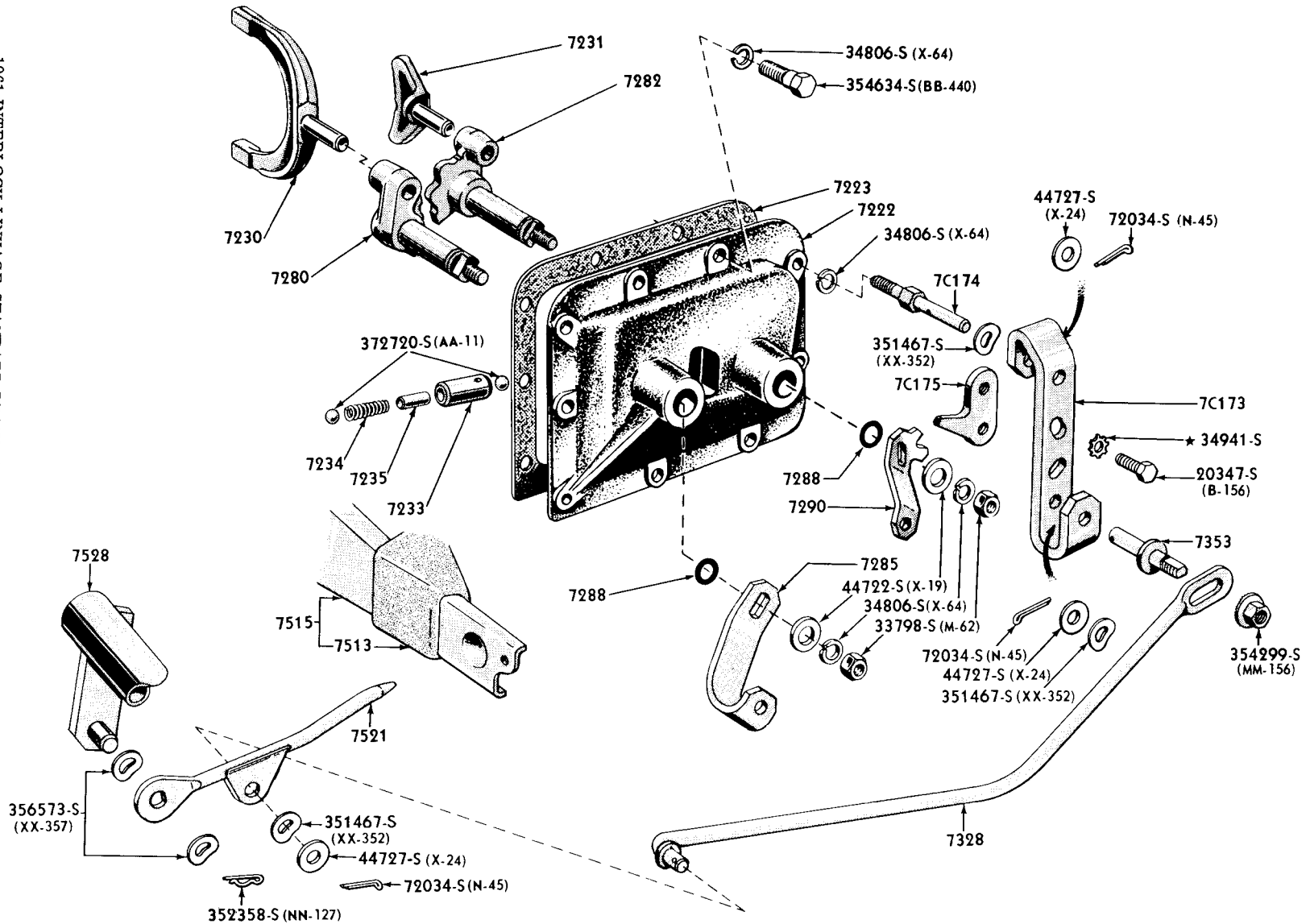
1960/62 GEAR SHIFT HOUSING, LEVERS, FORKS, ETC. (STANDARD TRANSMISSION)-FORD - TYPICAL

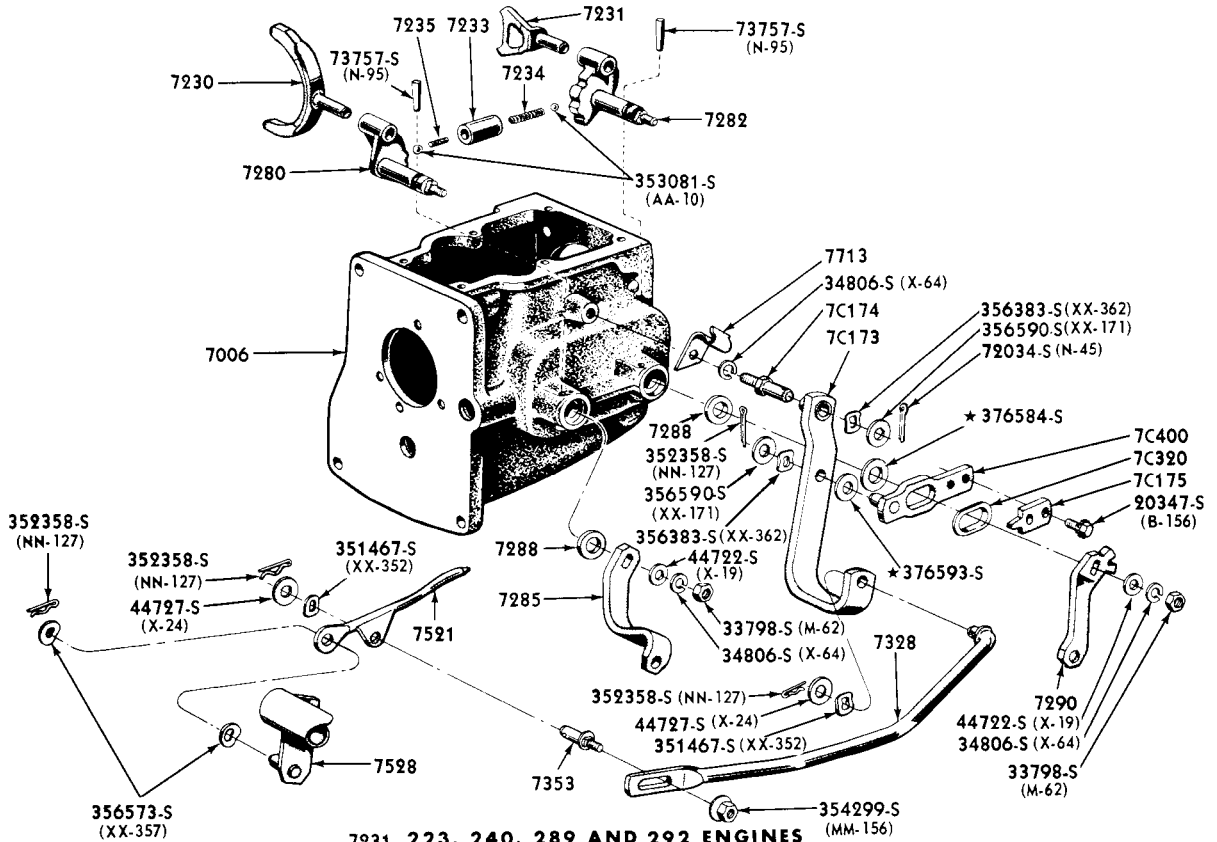


OVERDRIVE TRANSMISSION

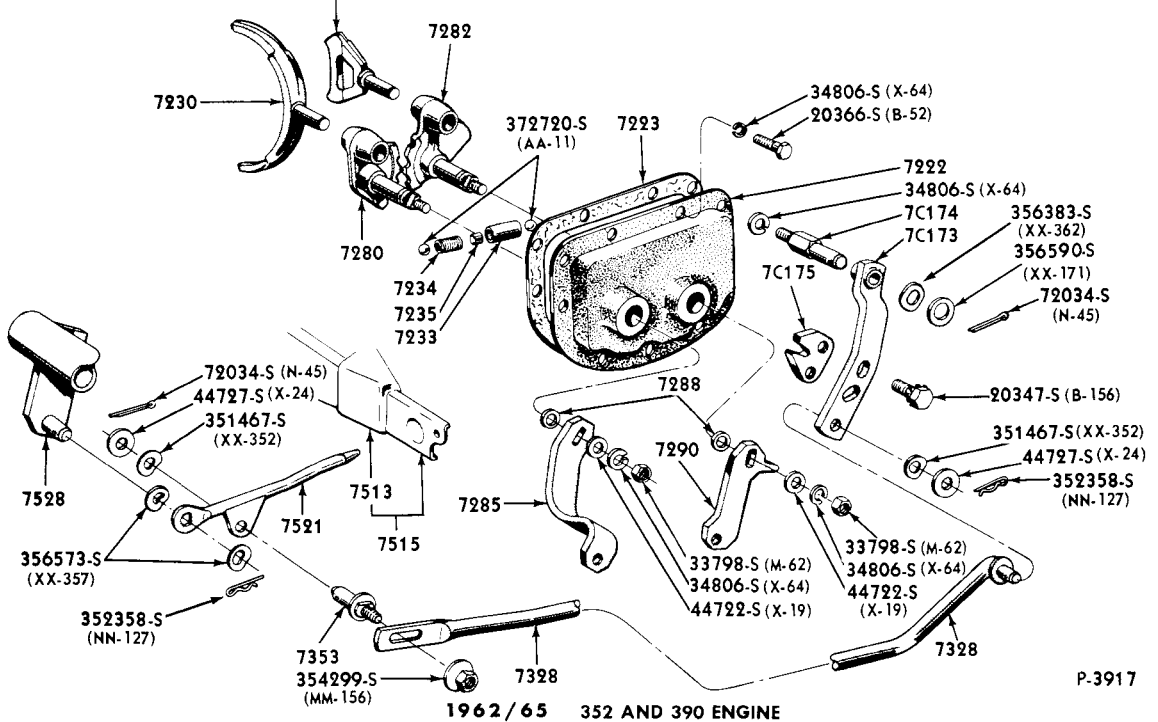
P-2478

GEAR SHIFT HOUSING, LEVERS, FORKS, ETC.
 1960/ OVERDRIVE TRANSMISSION (6 & 8 CYLINDER)- FORD-TYPICAL
 1960 STANDARD & OVERDRIVE TRANSMISSIONS (8 CYLINDER 352 ENGINE)- THUNDERBIRD



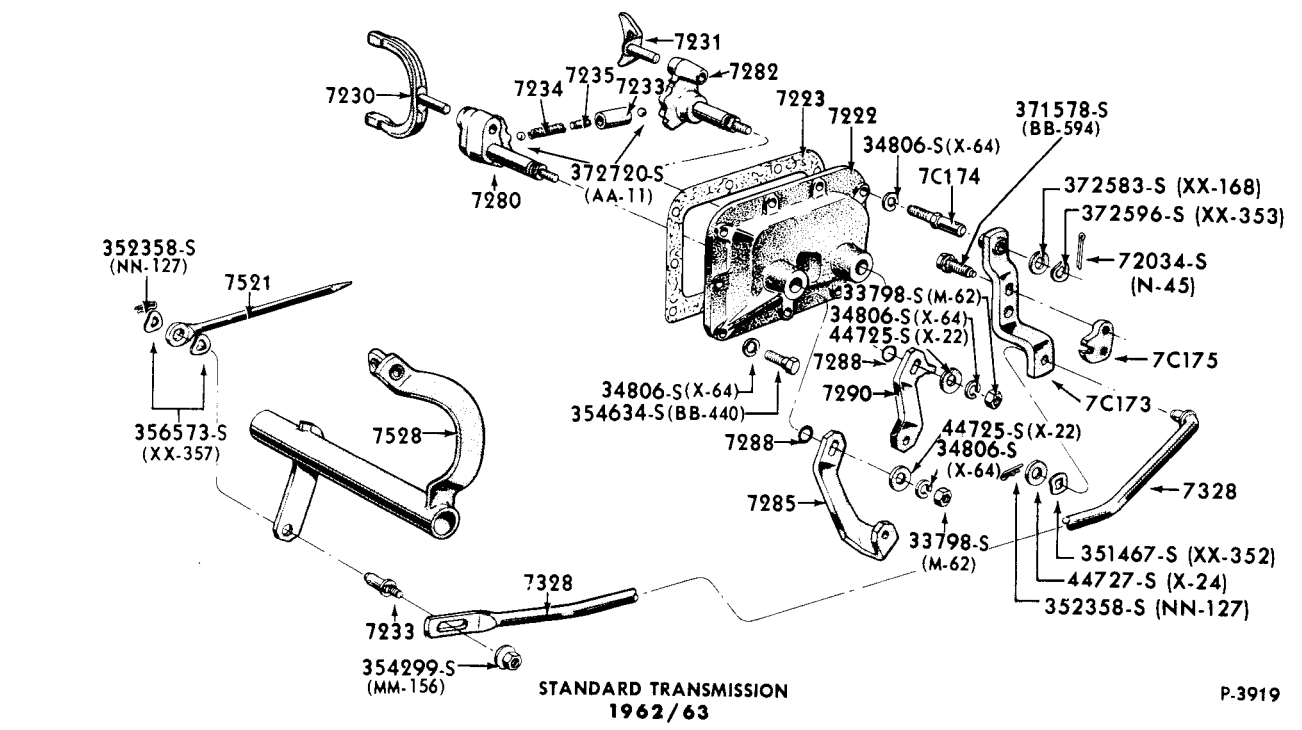
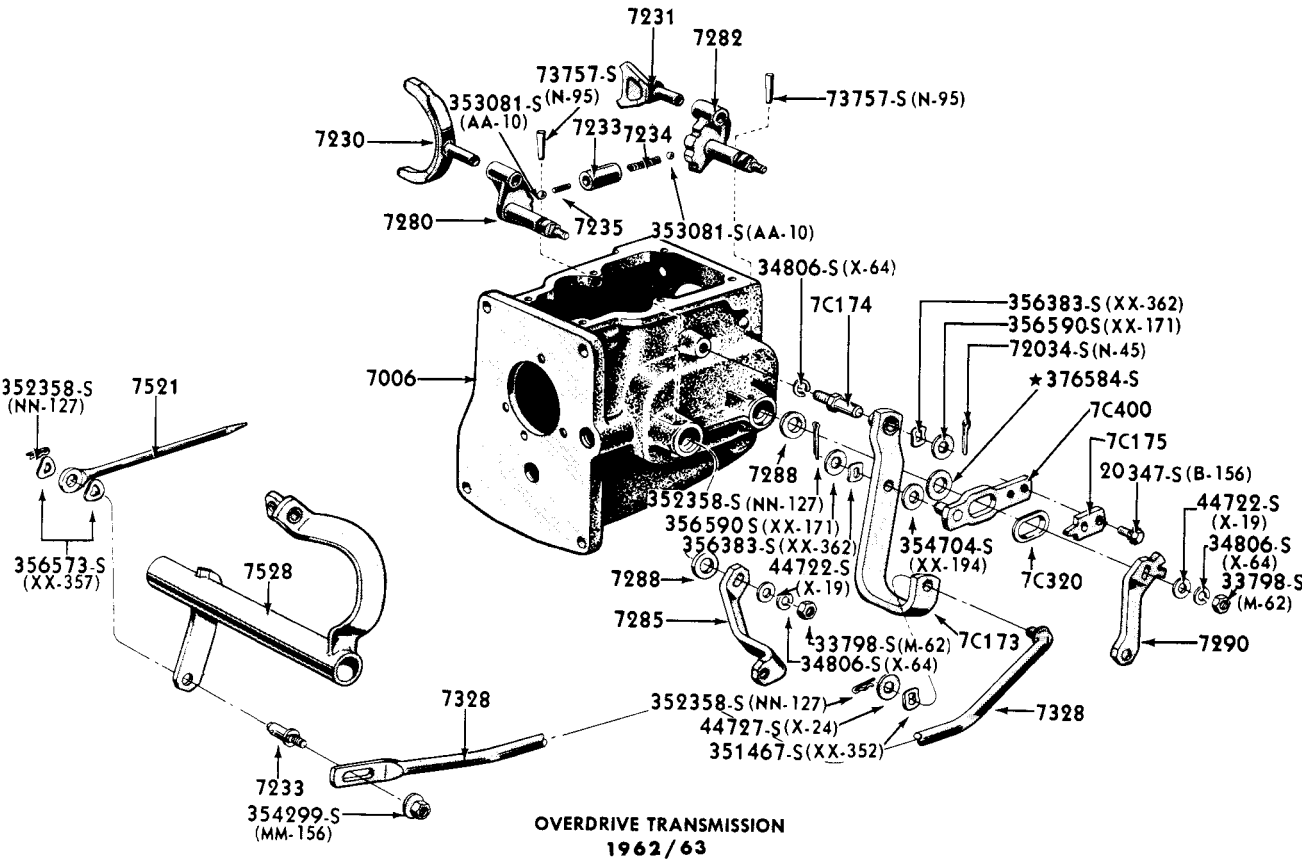


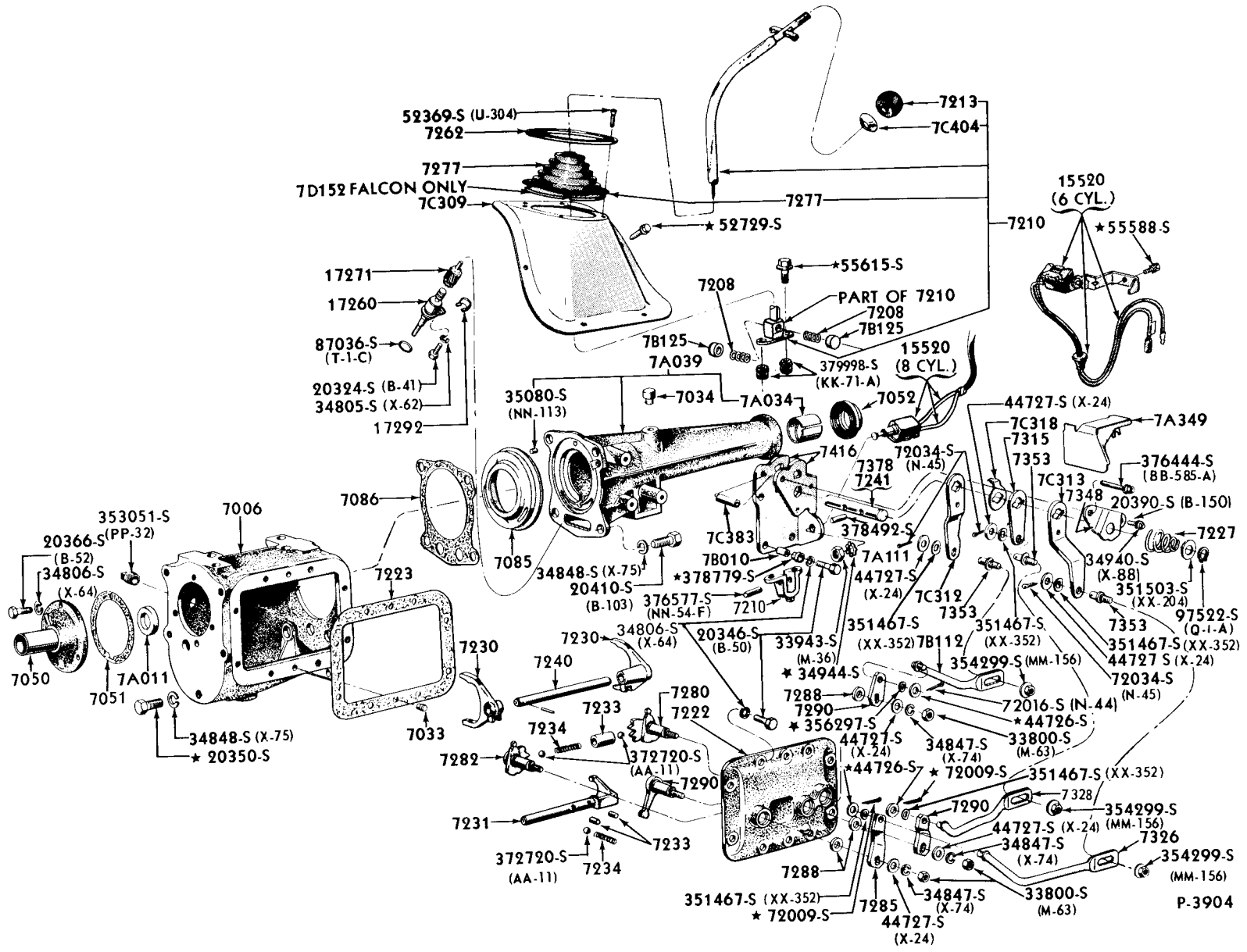
7231 223, 240, 289 AND 292 ENGINES



1962/65 352 AND 390 ENGINE

P-3917

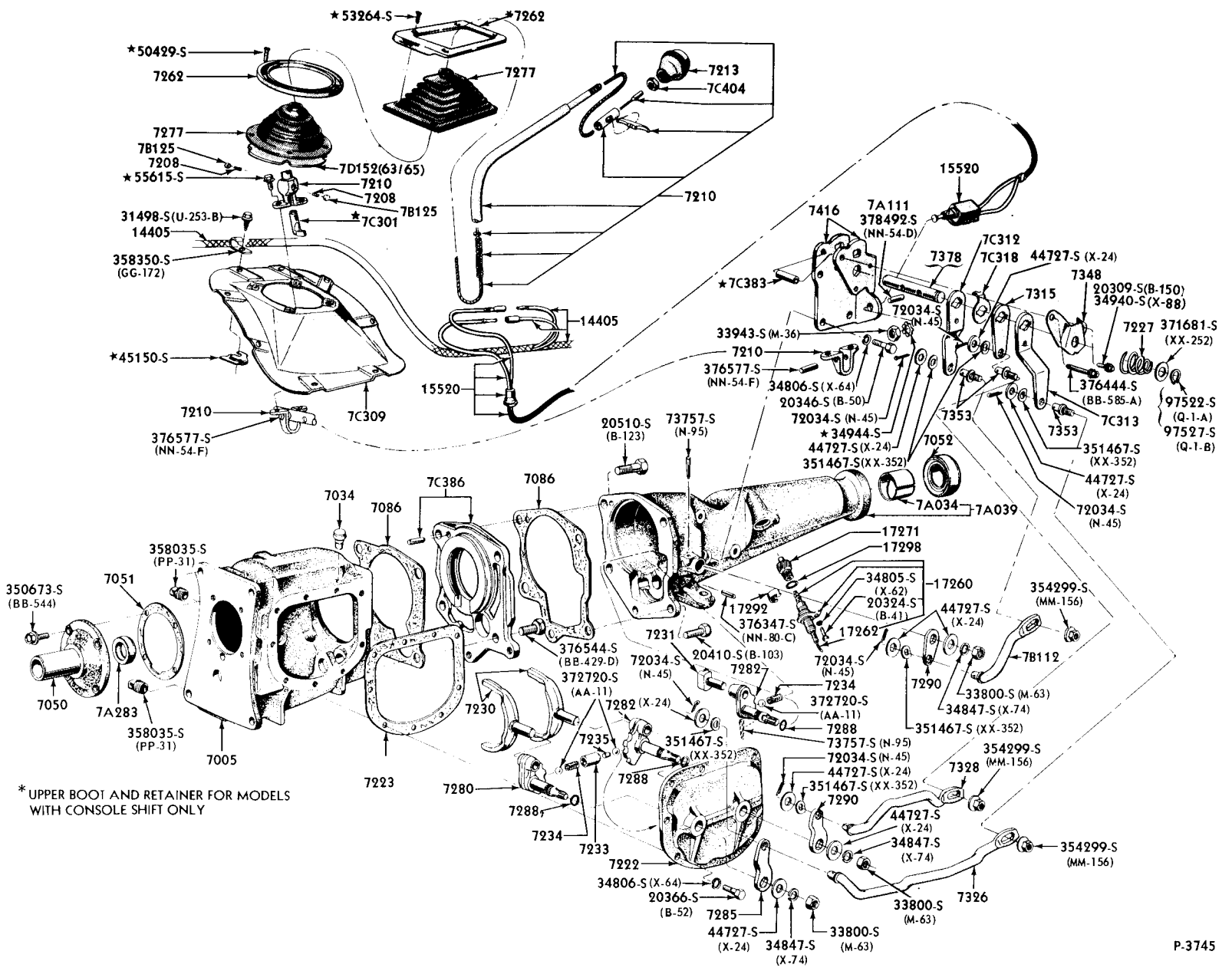




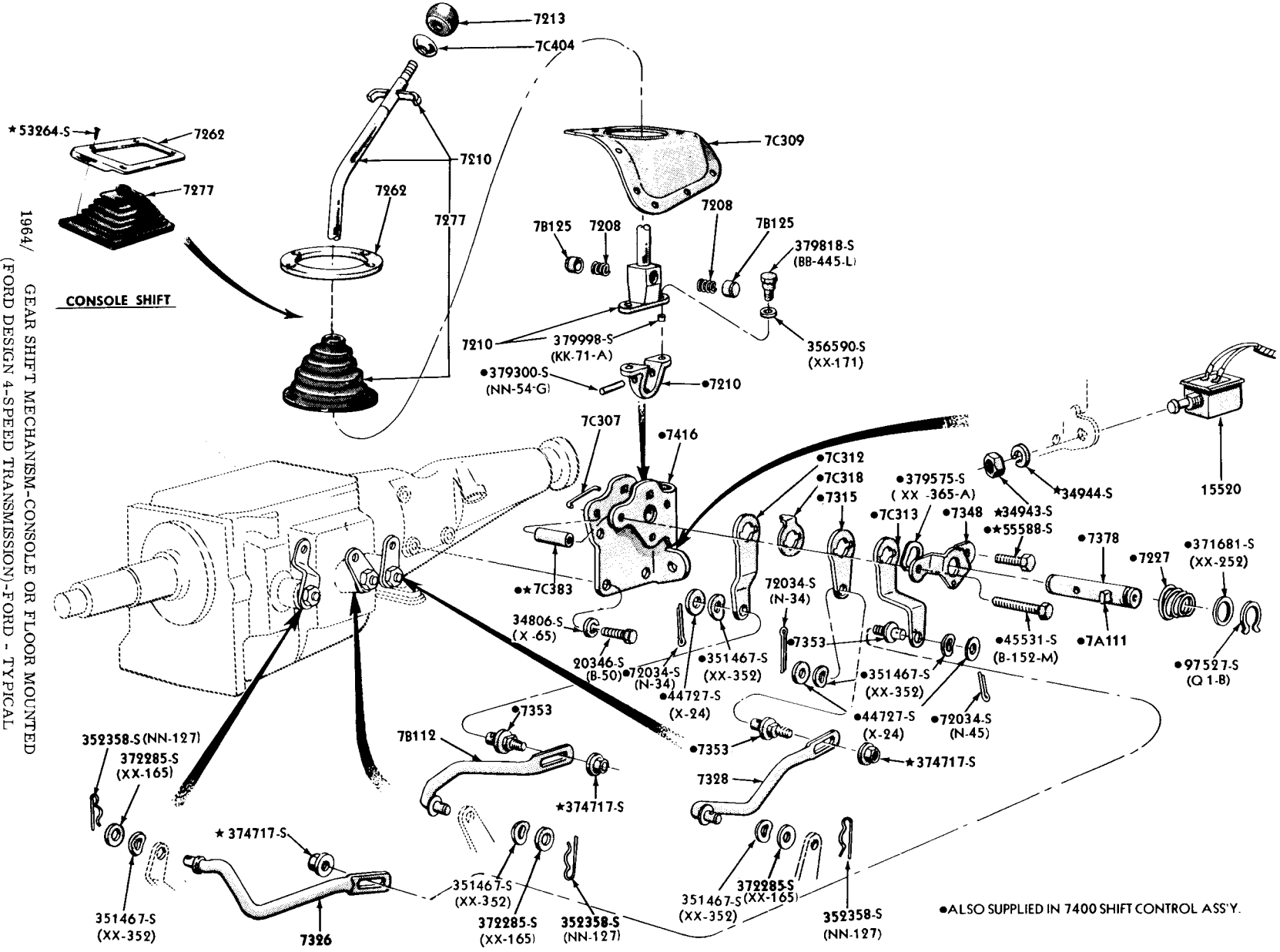
1962/64 GEAR SHIFT LEVERS, EXTENSION HOUSING, FORKS, CONTROLS & LINKAGE -
(4 SPEED TRANSMISSION) (DAGENHAM)-FALCON -

P-3904

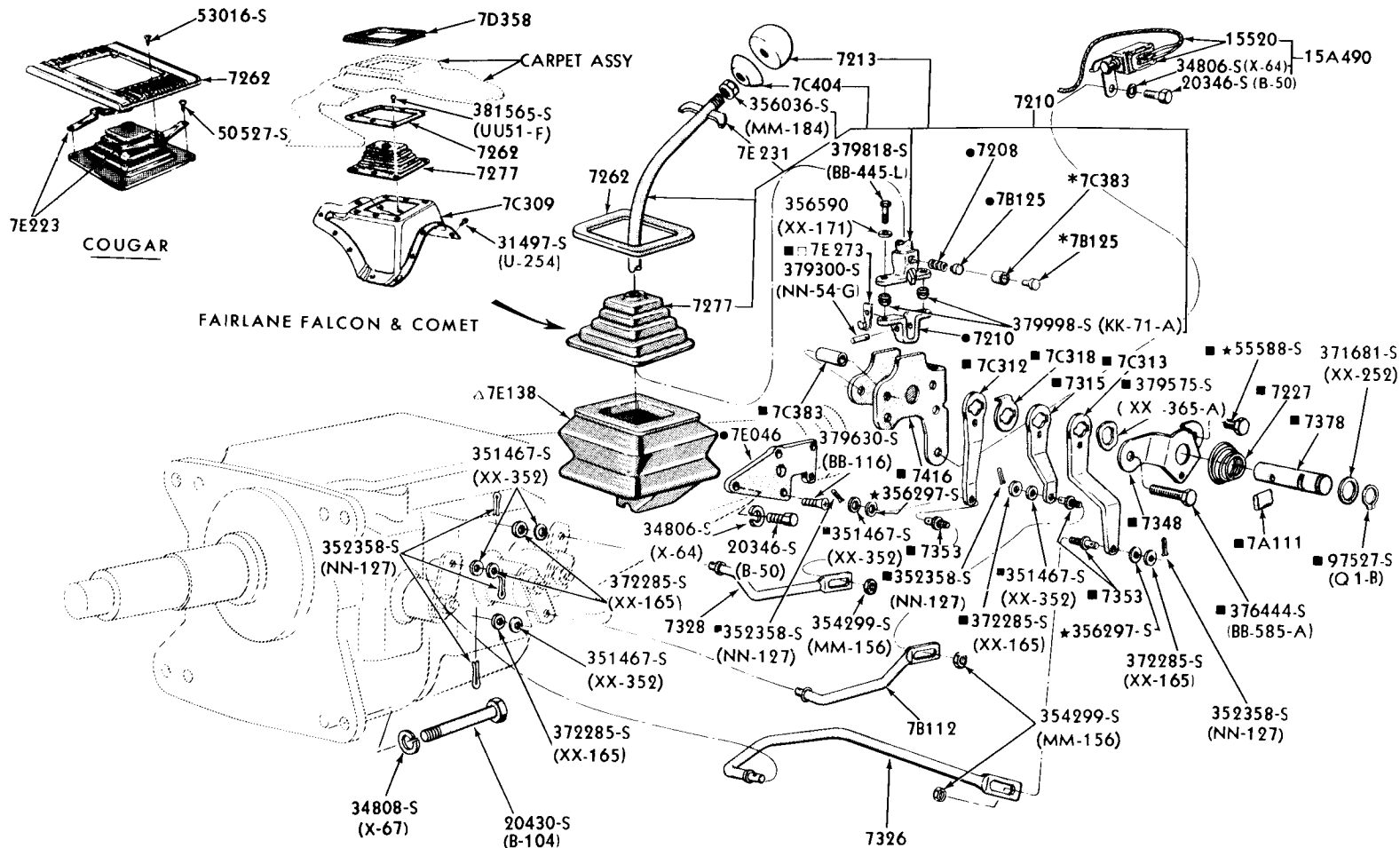
1960 / GEAR SHIFT LEVER, FORK & CONTROL (WARNER DESIGN 4 SPEED TRANSMISSION - FLOOR & CONSOLE MOUNTED) - TYPICAL



* UPPER BOOT AND RETAINER FOR MODELS WITH CONSOLE SHIFT ONLY

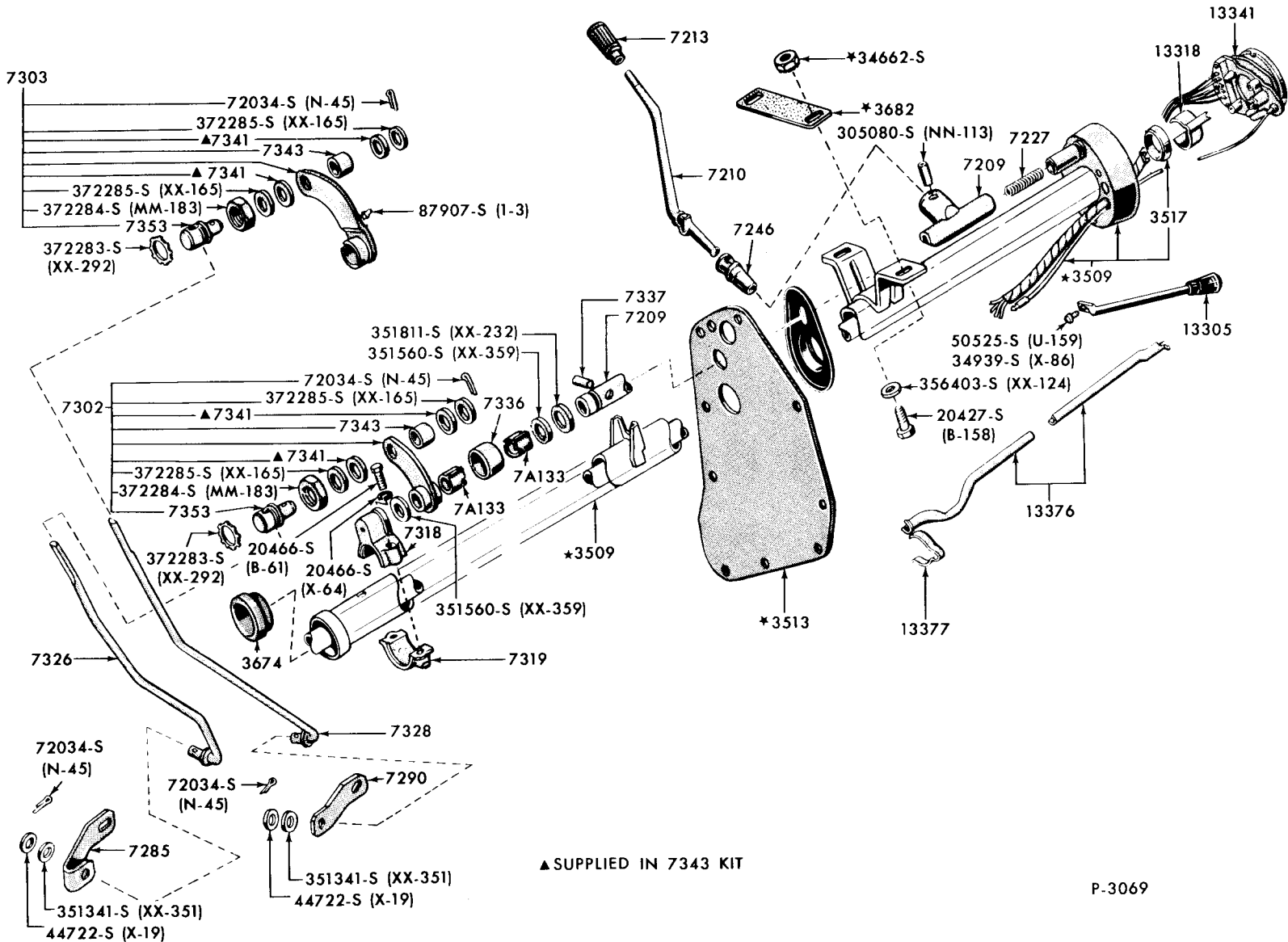


1964/ GEAR SHIFT MECHANISM-CONSOLE OR FLOOR MOUNTED (FORD DESIGN 4-SPEED TRANSMISSION-FORD - TYPICAL



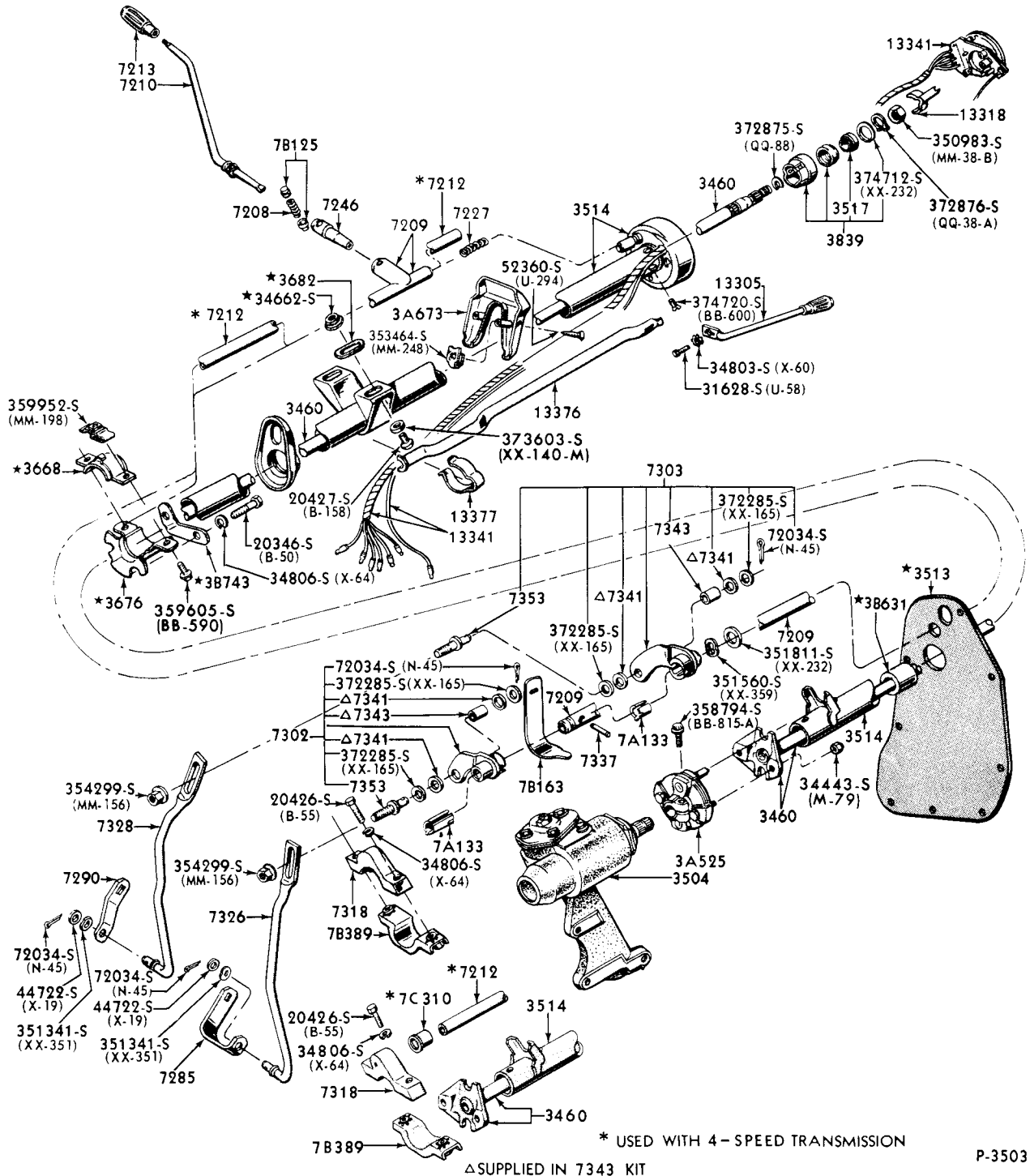
- MUSTANG, COUGAR
- * FAIRLANE, FALCON & COMET
- △ 1966/ MODELS ONLY
- ALSO SUPPLIED IN 7400 SHIFT CONTROL ASS'Y.
- 1968 ONLY

1964 / GEAR SHIFT MECHANISM-CONSOLE OR FLOOR MOUNTED
(FORD DESIGN 4-SPEED TRANSMISSION - FAIRLANE, FALCON - TYPICAL)

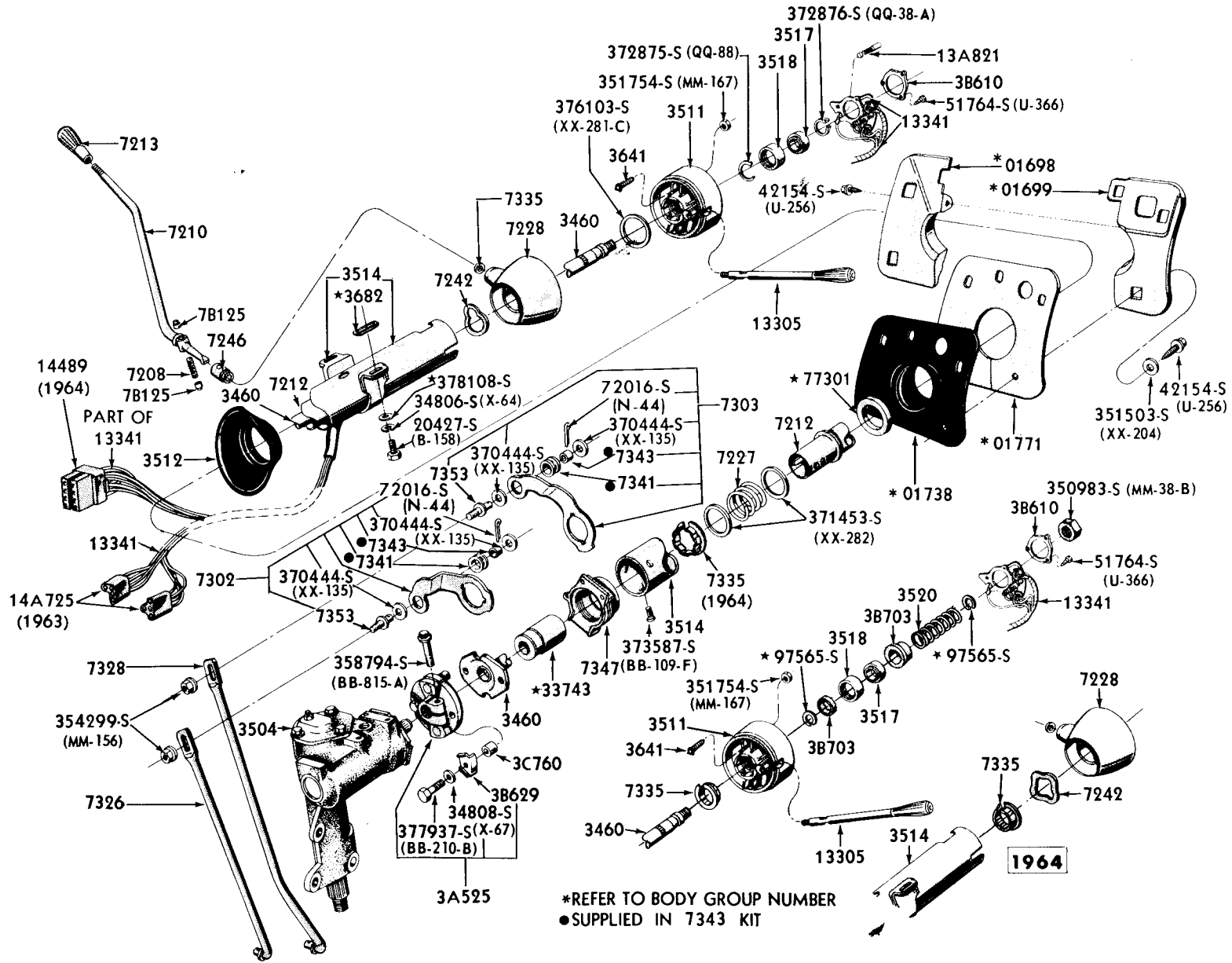


P-3069

1960 STEERING COLUMN & SHIFT MECHANISM (STANDARD & OVERDRIVE TRANSMISSIONS-6 & 8 CYLINDER ENGINES)-FORD-TYPICAL



1961/62 STEERING COLUMN & SHIFT MECHANISM (STANDARD & OVERDRIVE TRANSMISSIONS- 6 & 8 CYLINDER ENGINES)-FORD-TYPICAL

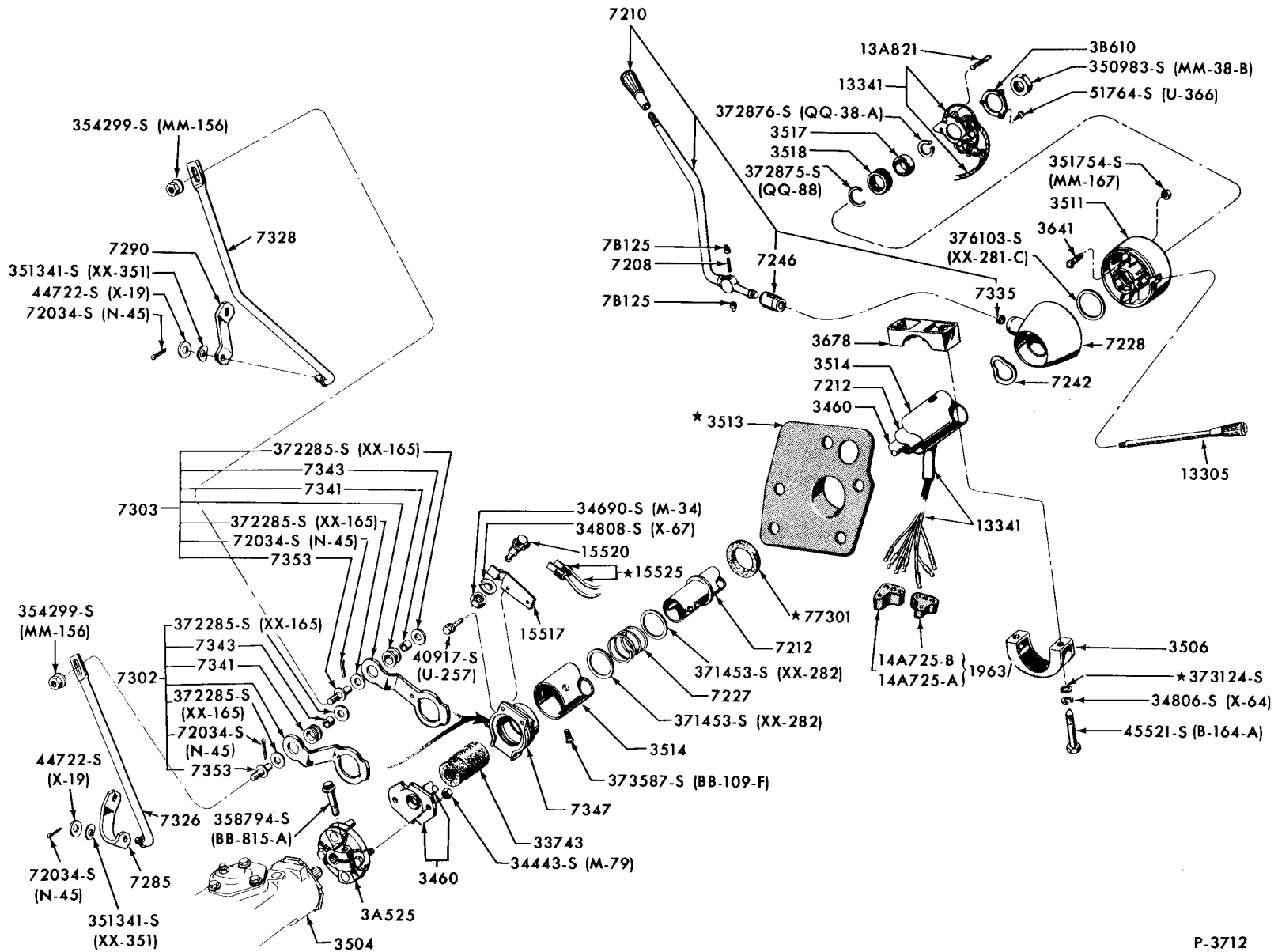


1963/64 STEERING COLUMN & SHIFT MECHANISM -
 (STANDARD & OVERDRIVE TRANSMISSION-6 & 8 CYLINDER ENGINES)-FORD-TYPICAL

*REFER TO BODY GROUP NUMBER
 •SUPPLIED IN 7343 KIT

1962/

STEERING COLUMN & SHIFT MECHANISM (STANDARD & OVERDRIVE TRANSMISSION) - FAIRLANE

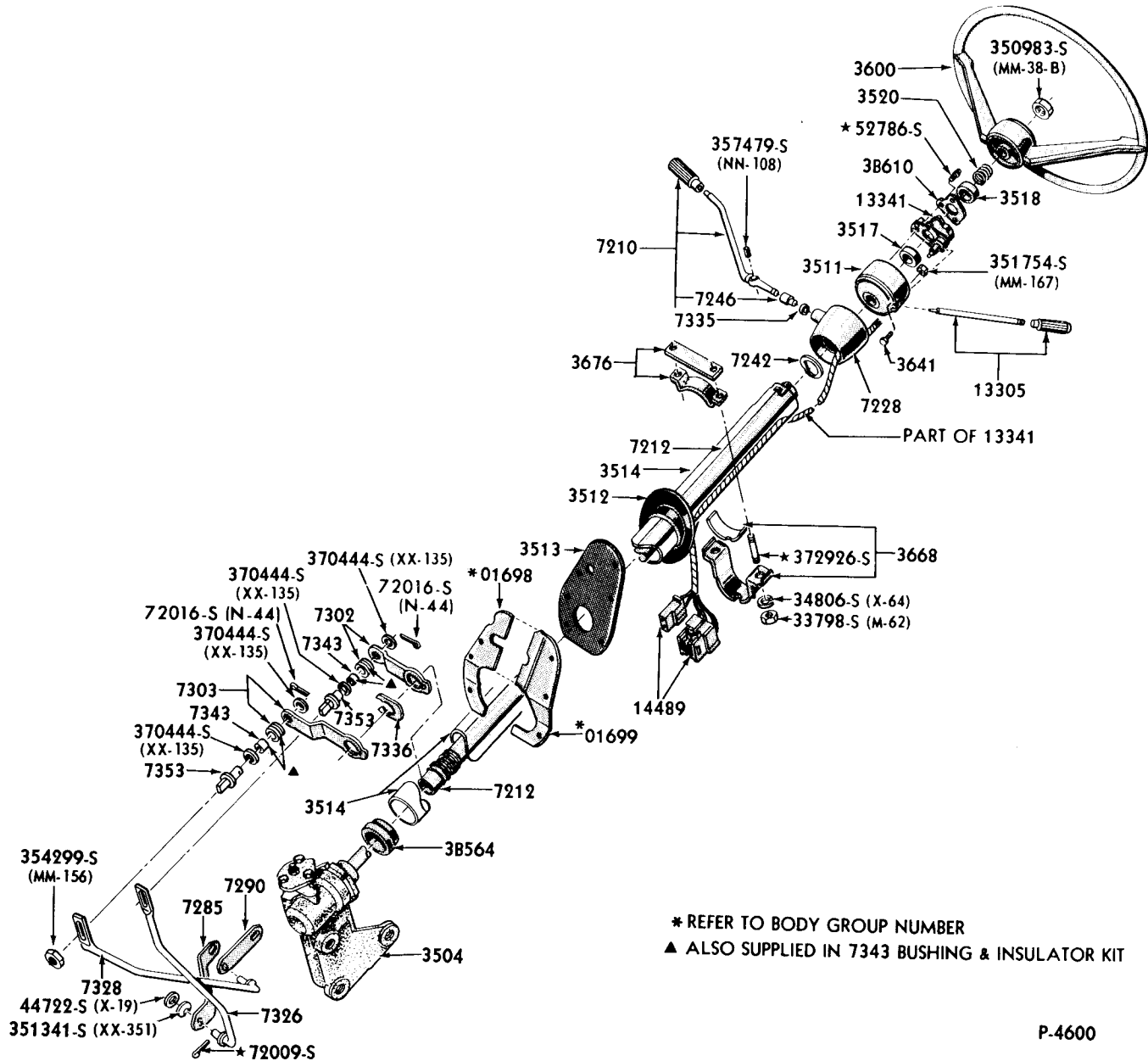


FORD CAR PARTS

ILLUSTRATION SECTION 72

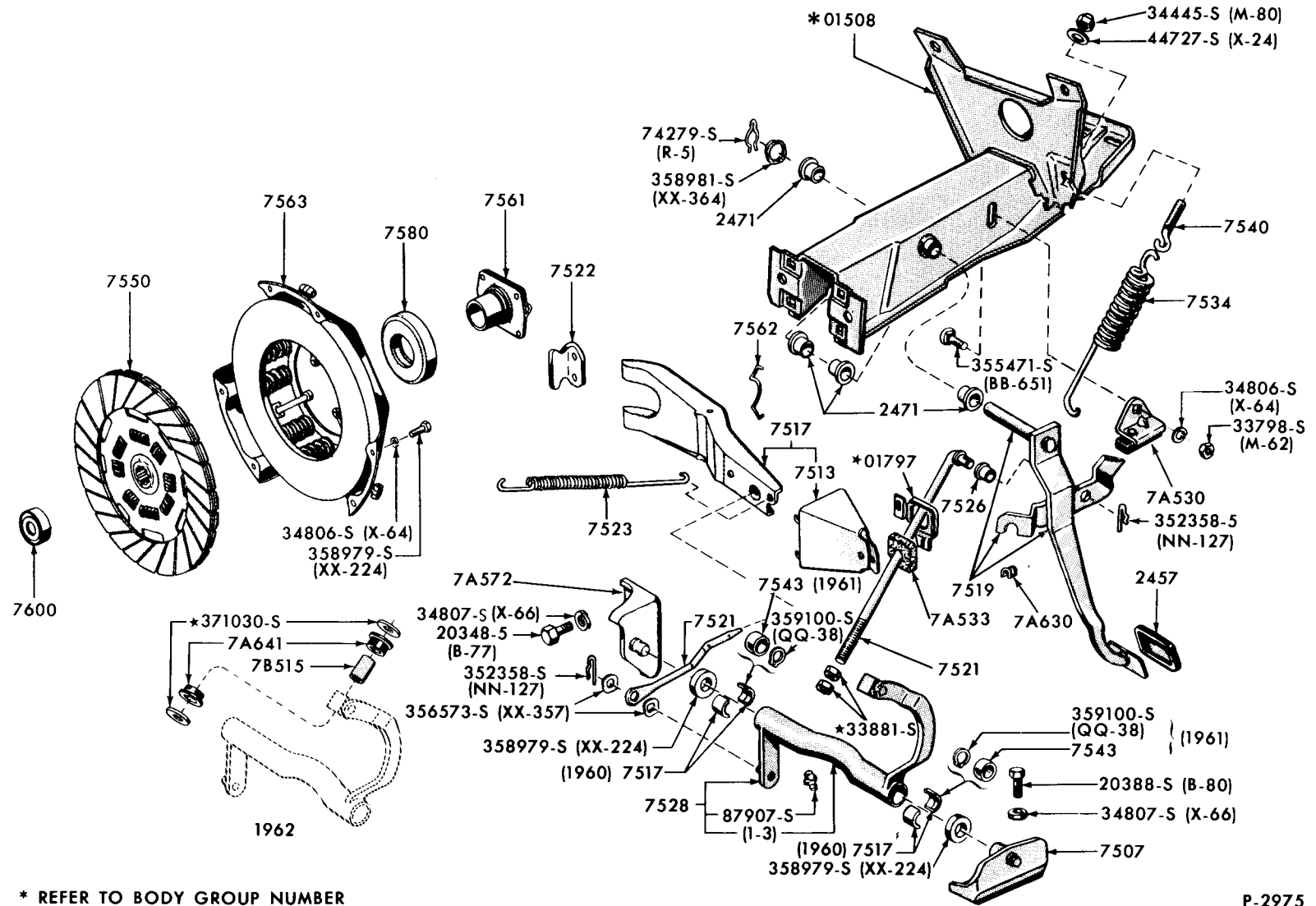
P-3712

223



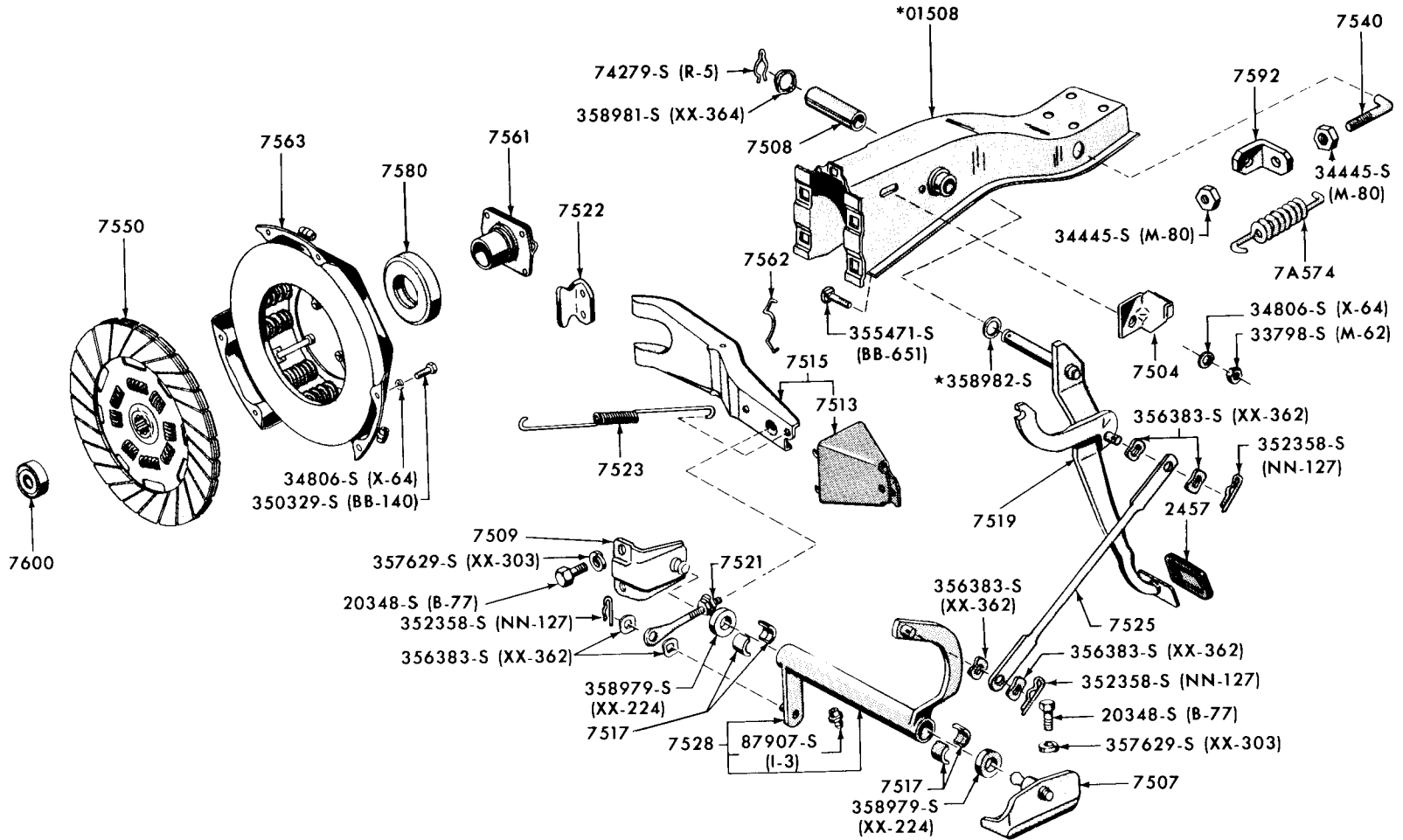
* REFER TO BODY GROUP NUMBER
 ▲ ALSO SUPPLIED IN 7343 BUSHING & INSULATOR KIT

1964/ STEERING COLUMN & SHIFT MECHANISM (STANDARD & OVERDRIVE TRANSMISSION)-FALCON



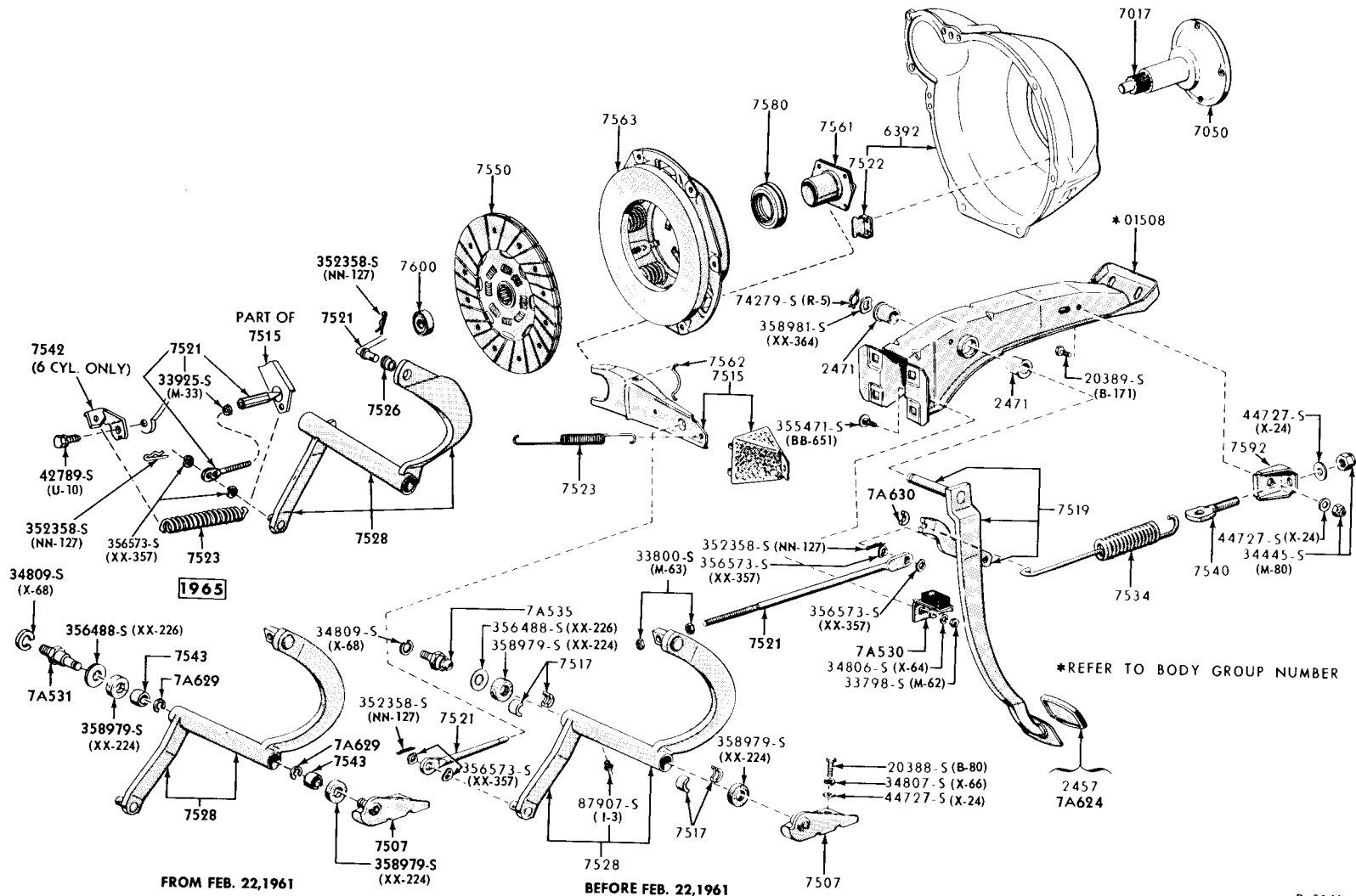
* REFER TO BODY GROUP NUMBER

P-2975



*REFER TO BODY GROUP NUMBER

P-3080



INDEX

INCLUDED IN THIS INDEX ARE THE FOLLOWING MAJOR GROUPS IN THE ORDER SHOWN BELOW:

AUTOMATIC TRANSMISSION ASSEMBLIES

	Illustration Section
F/M/2 Type	A70. 1
C/M Type - FM, FX, MX Models	A70. 2
C4 Type	A70. 4
Transmission Oil Cooling System & Vacuum Advance System	A71

SHIFT CONTROL MECHANISMS

Column Mounted	A72
Floor & Console Mounted	A72. 1

ILLUSTRATIONS RELATED TO TRANSMISSION FUNCTIONS ARE SHOWN BELOW FOR REFERENCE

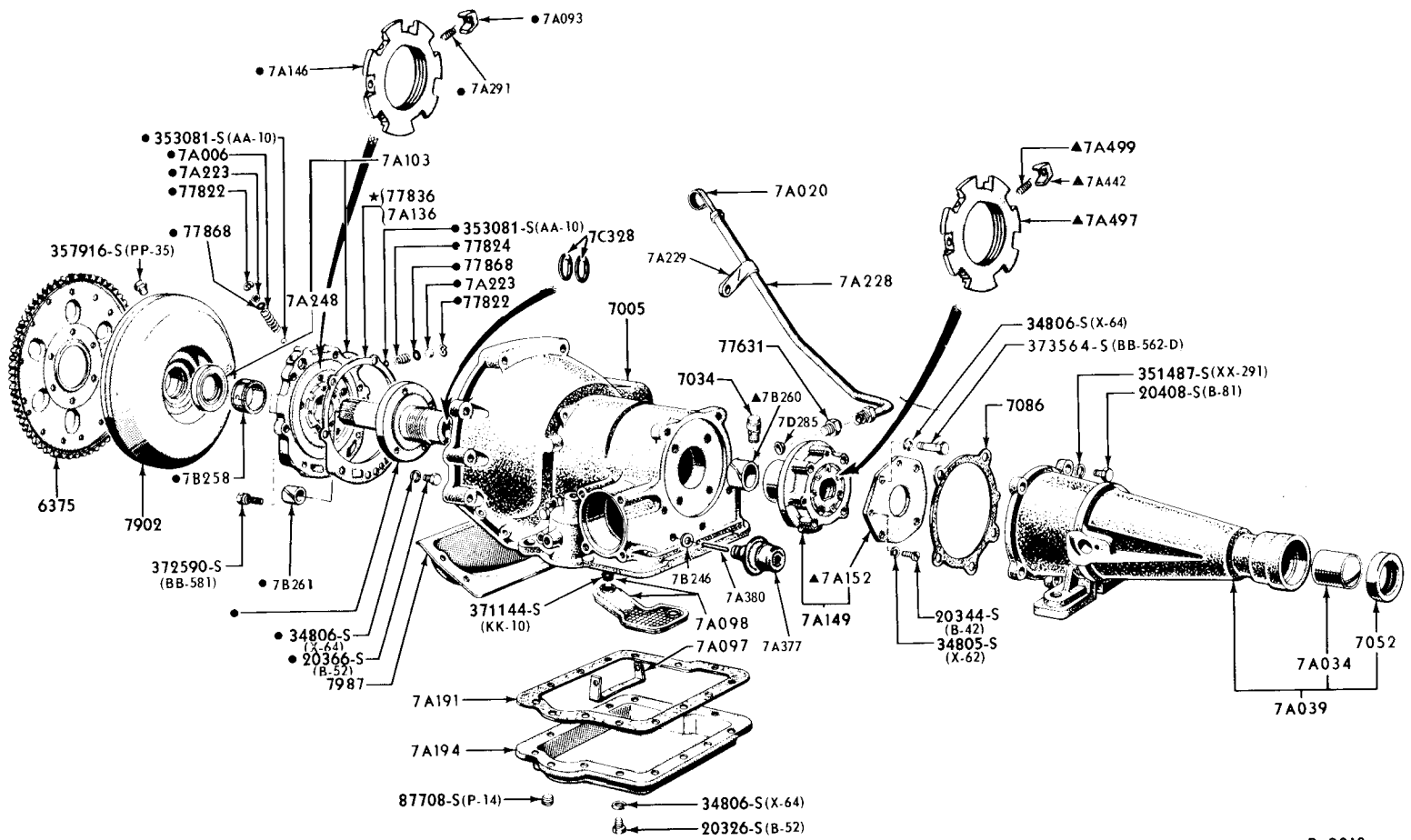
Steering Column w/o Shift Mechanism	35
Transmission Kickdown & Acceleration Linkage Mechanism	97
Console Mounted Parts Related to Shift Control Mechanisms	042 (Body)

AUTOMATIC TRANSMISSION ASSEMBLIES

TITLE	YEAR	MODEL	SECTION	PAGE	ILLUS. NO.
F/M/2 TYPE					
Case, converter assy., extension, pumps and related parts-Typical	60/64	A	A70. 1	233	P-2810
Case, converter assy., extension, pumps and related parts-Typical	60/64	B, X	A70. 1	234	P-3149
Clutch, gears, shafts and related parts-Typical	60/64	A, B, X	A70. 1	235	P-2811
Main control valve body assy. -(Basic 7A100)-Typical	60/64	A, B, X	A70. 1	236	P-2815
Parking pawl, throttle and manual control linkage-Typical	60/64	A, B, X	A70. 1	236	P-2814
Servo and band assy. -Front-Typical	60/64	A, B, X	A70. 1	237	P-2812
Rear-Typical	60/64	A, B, X	A70. 1	237	P-2813
C/M TYPE - FM,FX,MX MODELS					
Case, converter assy., extension, pumps and related parts-Typical	60/	A, S	A70. 2	238	P-1871
Clutches, gears, shafts and related parts-FX, MX model-Typical	60/	A, S	A70. 2	239	P-2554
Clutches, gears, shafts and related parts-FM model-Typical	60	A	A70. 2	240	P-1886
Main control valve body assy. -(Basic 7A100)-Typical	60/	A, S	A70. 2	241	P-2583
Oil pressure regulator and related parts-(Basic 7A139)-Typical	60/	A, S	A70. 2	242	P-1725
Parking pawl, throttle and manual control linkage-Typical	60/	A, S	A70. 2	241	P-5206
Servo and band-Front-Typical	60/	A, S	A70. 2	243	P-2561
Rear-Typical	60/	A, S	A70. 2	243	P-6547
Transmission dash panel insulator and bracket	62	S	A70. 2	242	P-3743

INDEX

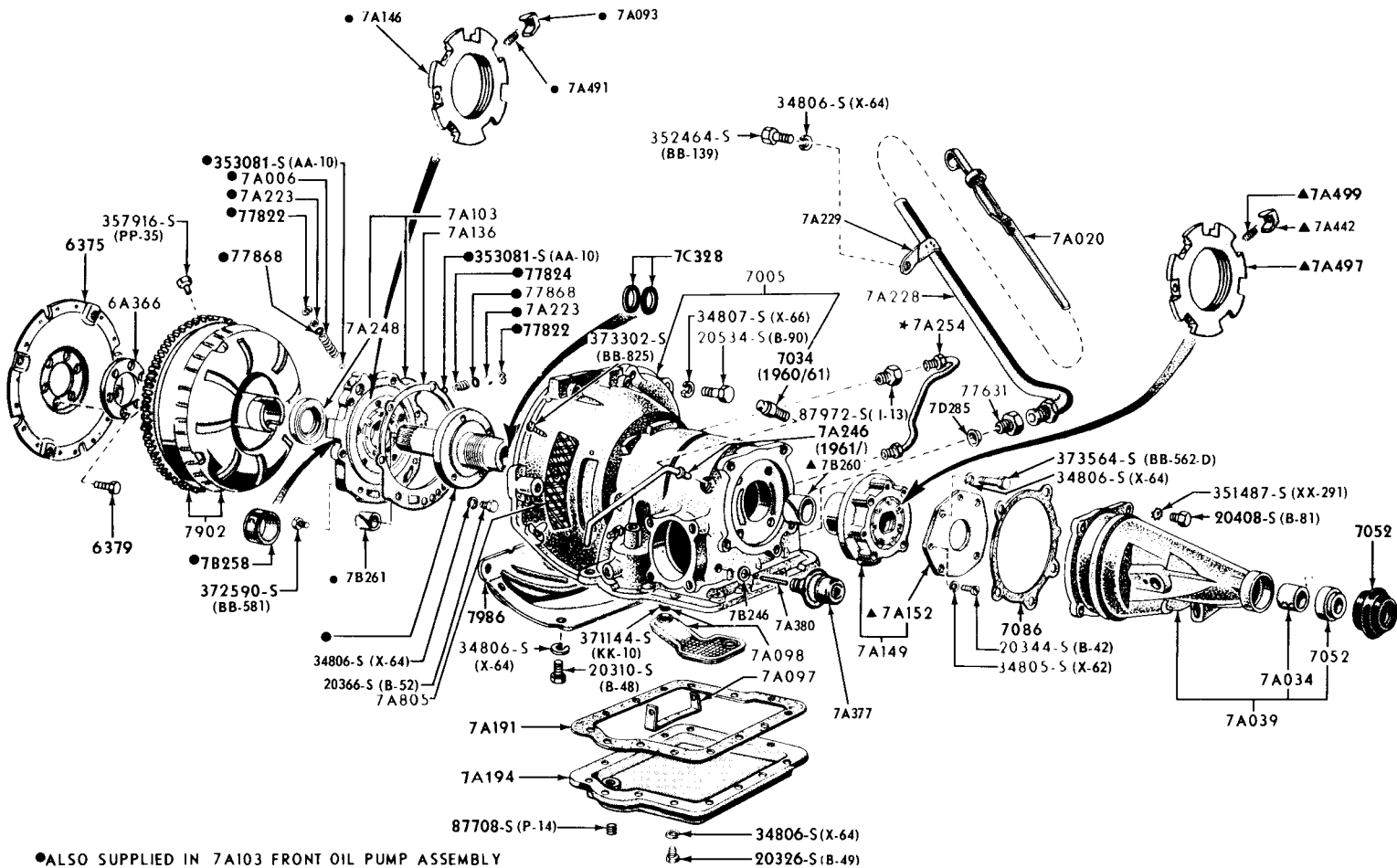
TITLE	YEAR	MODEL	SECTION	PAGE	ILLUS. NO.
AUTOMATIC TRANSMISSION ASSEMBLIES - continued					
C4 TYPE					
Case, converter assy., extension, pump and related parts-Typical	64/	A, B	A70.4	244	P-4326
Clutches, gears, shafts, rear support and related parts-Typical	64/	A, B	A70.4	245	P-4327
Main control valve body assy. -(Basic 7A100)-Typical	64/	A, B	A70.4	246	P-4507
Parking pawl, throttle and manual control linkage-Typical	64/	A, B	A70.4	246	P-4330
Servo and band-Front-Typical	64/	A, B	A70.4	247	P-4328
Rear-Typical			A70.4	247	P-4329
TRANSMISSION VACUUM THROTTLE & OIL COOLING SYSTEMS					
Vacuum throttle valve, lines and fittings - Typical	61/	A, B, S, X	A71	248	P-3627
Transmission miscellaneous bushings			A71	249	P-4862
Oil cooling system - Typical	60/63	A	A71	250	P-3183
Oil cooling system	64	A	A71	251	P-4244
Oil cooling system - Typical	62/	B, X	A71	252	P-4148
Oil cooling system - Typical	62/	S	A71	253	P-4145
STEERING COLUMN & SHIFT CONTROL SELECTOR MECHANISMS					
Steering column and shift control selector mechanism - Typical	60	A	A72	254	P-3070
	61/62	A	A72	255	P-3504
Fixed steering column and shift control selector mechanism - Typical	63/64	A	A72	256	P-4248
Movable steering column and shift control selector mechanism - Typical	63	A	A72	257	P-4061
	64	A	A72	258	P-4582
Steering column and shift control selector mechanism - Typical	62/	B	A72	259	P-3713
Steering column and shift control selector mechanism - Typical	60	S	A72	260	P-2688
Fixed steering column and shift control selector mechanism - Typical	61/	S	A72	261	P-3284
Movable steering column and shift control selector mechanism - Typical	61/63	S	A72	262	P-3285
	64/	S	A72	263	P-4224
Steering column and shift control selector mechanism - Typical	60/63	X	A72	264	P-3127
	64/	X	A72	265	P-4601
SHIFT CONTROL SELECTOR MECHANISM - CONSOLE MOUNTED					
Shift control selector mechanism	62/64	A	A72.1	266	P-3896



● ALSO SUPPLIED IN 7A103 FRONT OIL PUMP ASSEMBLY
▲ ALSO SUPPLIED IN 7A149 REAR OIL PUMP ASSEMBLY

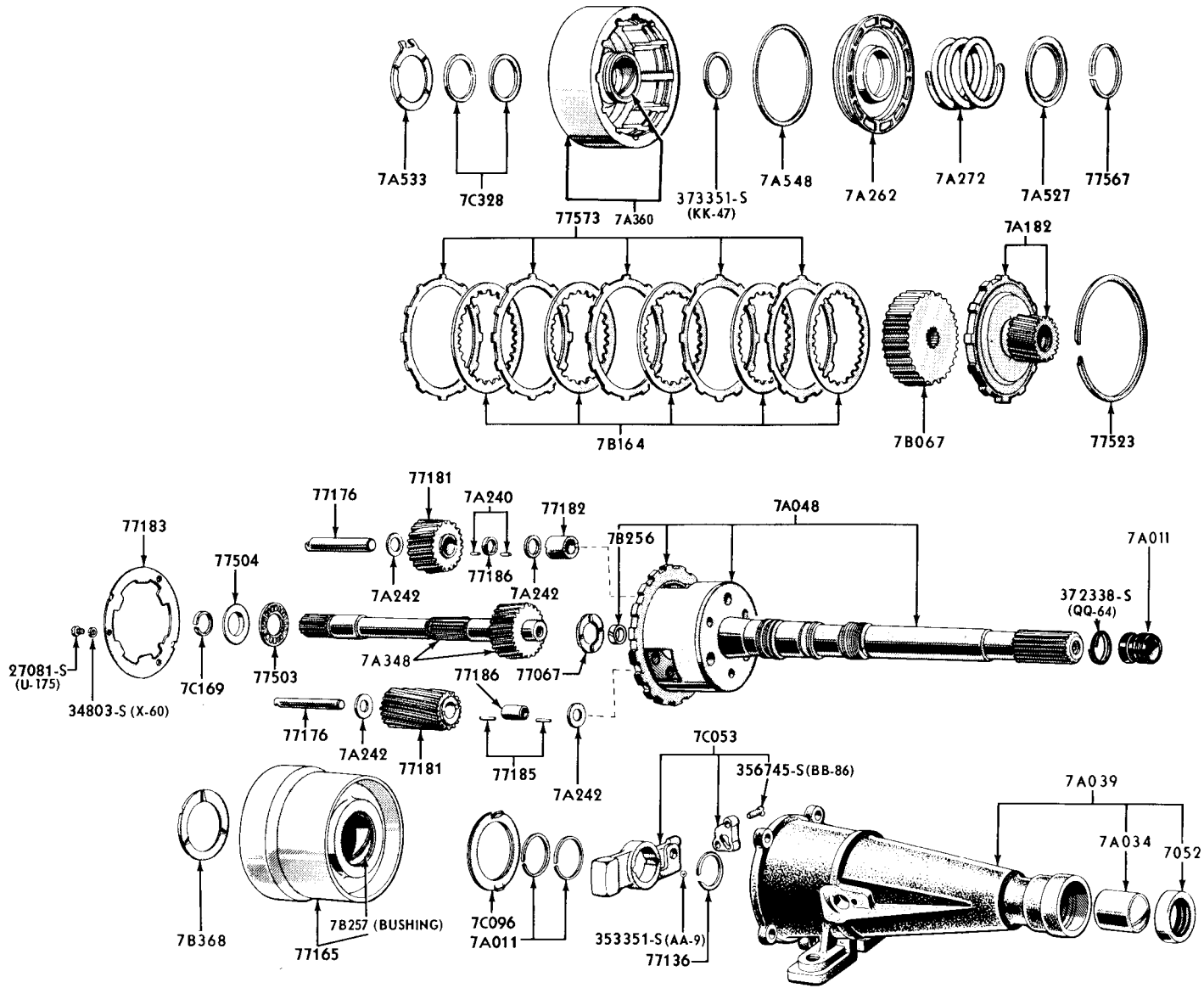
P-2810

1960/64 CASE, CONVERTER ASSY., EXTENSION, PUMPS & RELATED PARTS-FORD-TYPICAL

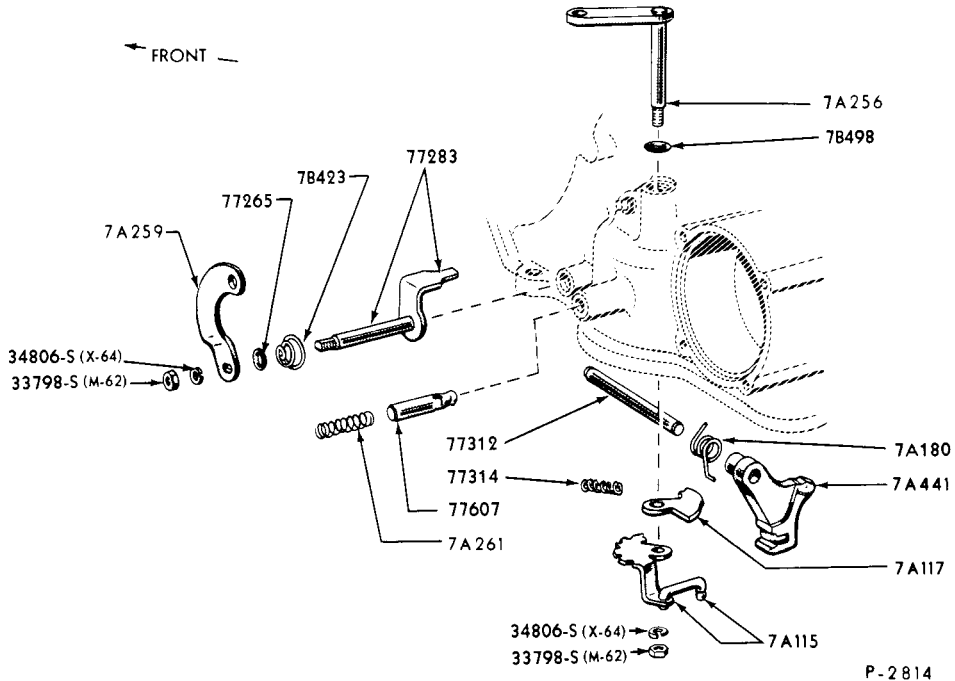


● ALSO SUPPLIED IN 7A103 FRONT OIL PUMP ASSEMBLY
 ▲ ALSO SUPPLIED IN 7A149 REAR OIL PUMP ASSEMBLY

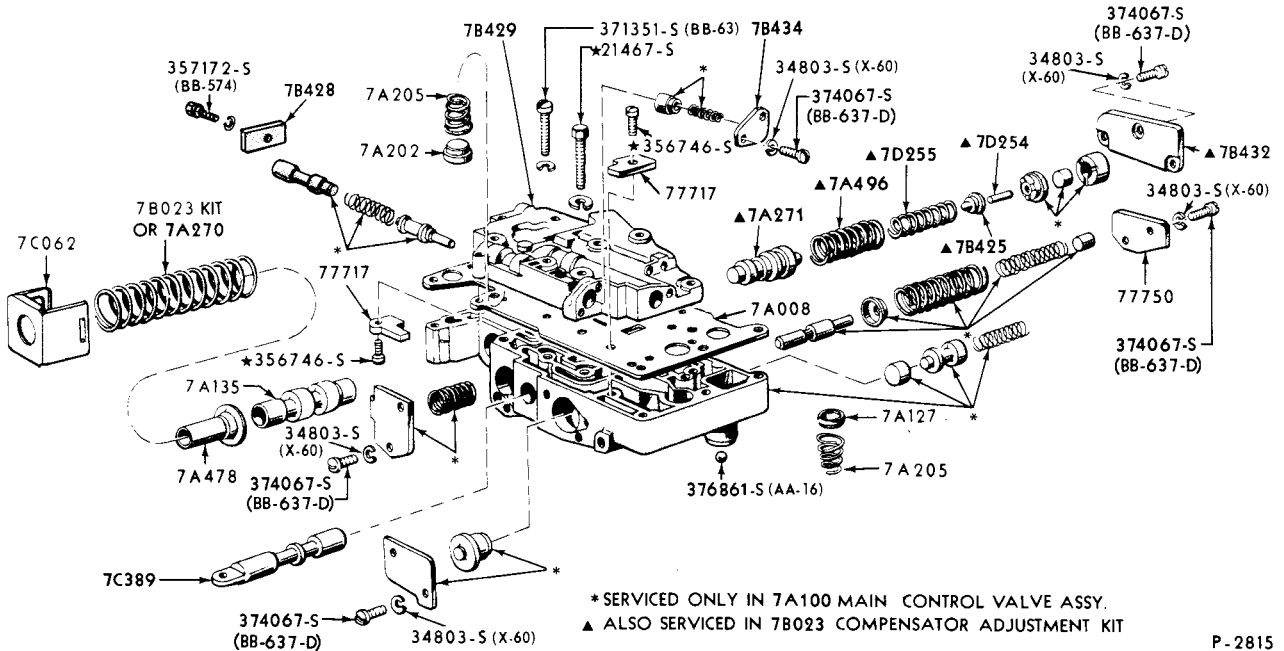
1960/64 CASE, CONVERTER ASSY., EXTENSION, PUMPS & RELATED PARTS-FAIRLANE, FALCON-TYPICAL



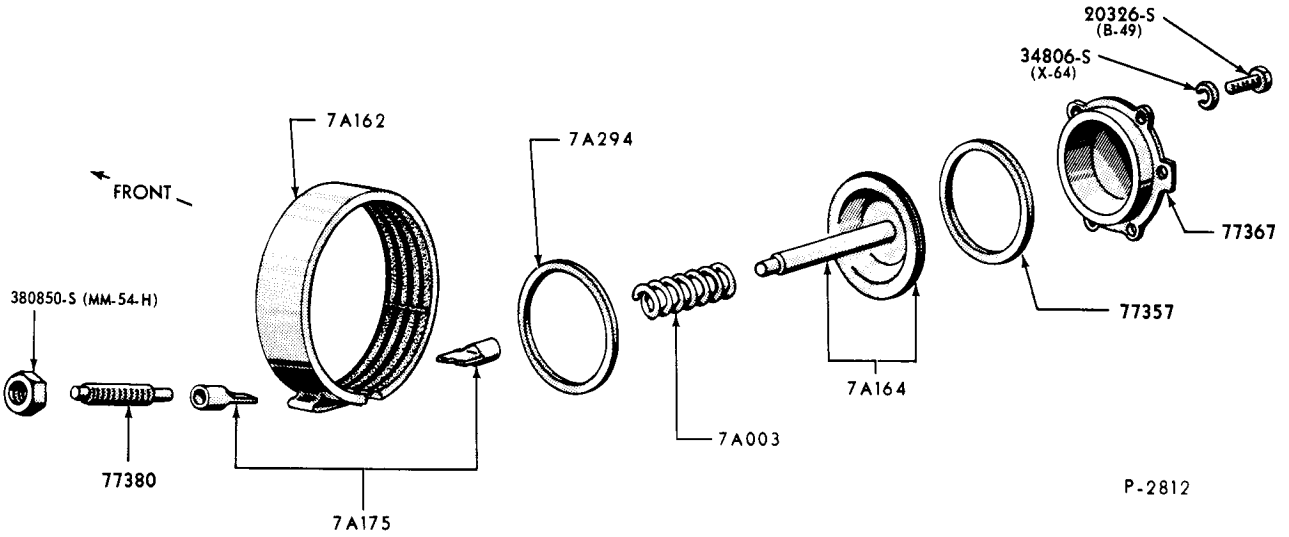
1960/64 CLUTCH, GEARS, SHAFTS & RELATED PARTS-FORD, FAIRLANE, FALCON-TYPICAL



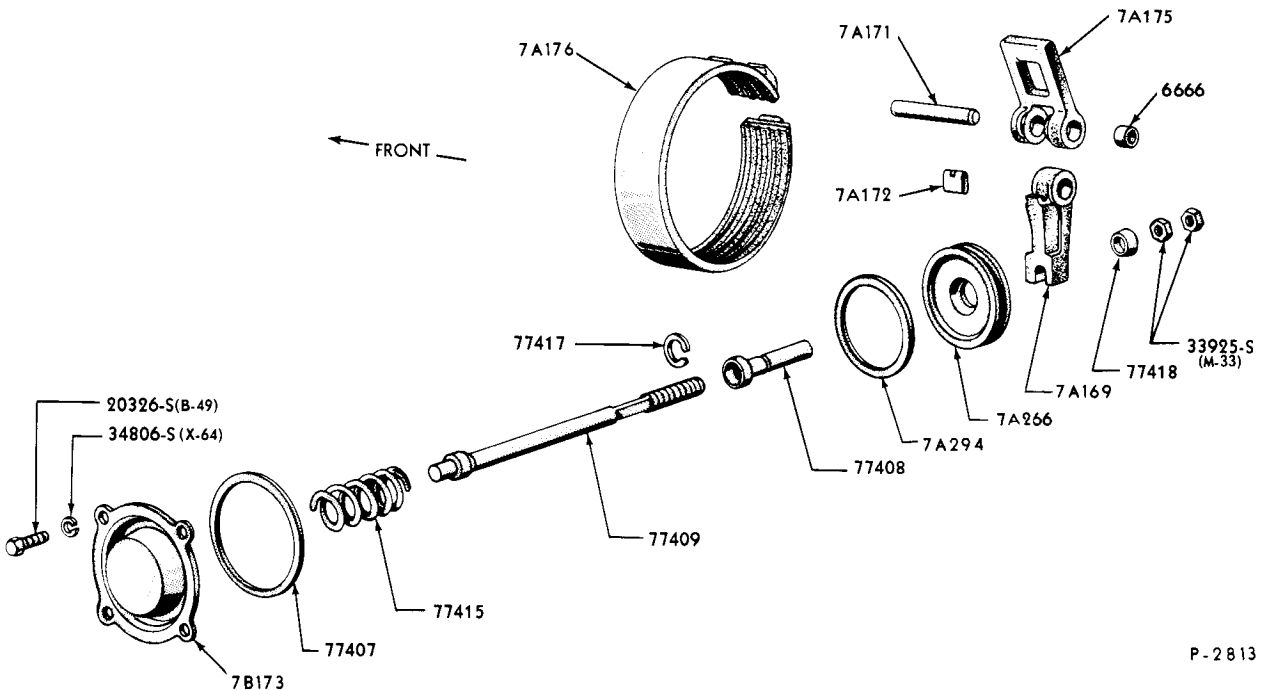
1960/64 PARKING PAWL, THROTTLE & MANUAL CONTROL LINKAGE-FORD, FAIRLANE, FALCON-TYPICAL



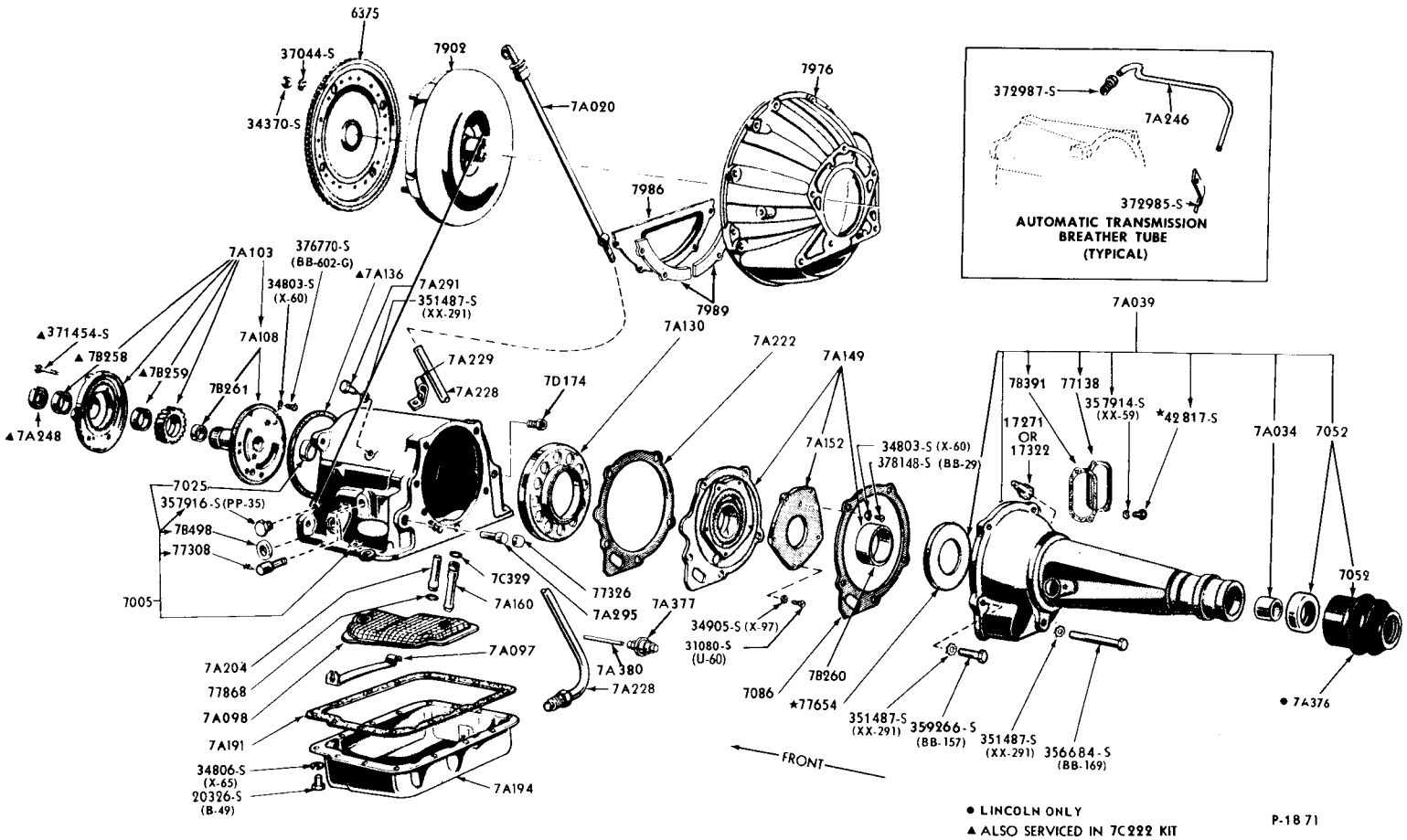
1960/64 MAIN CONTROL VALVE BODY ASSY. -(BASIC 7A100)-FORD, FAIRLANE, FALCON-TYPICAL



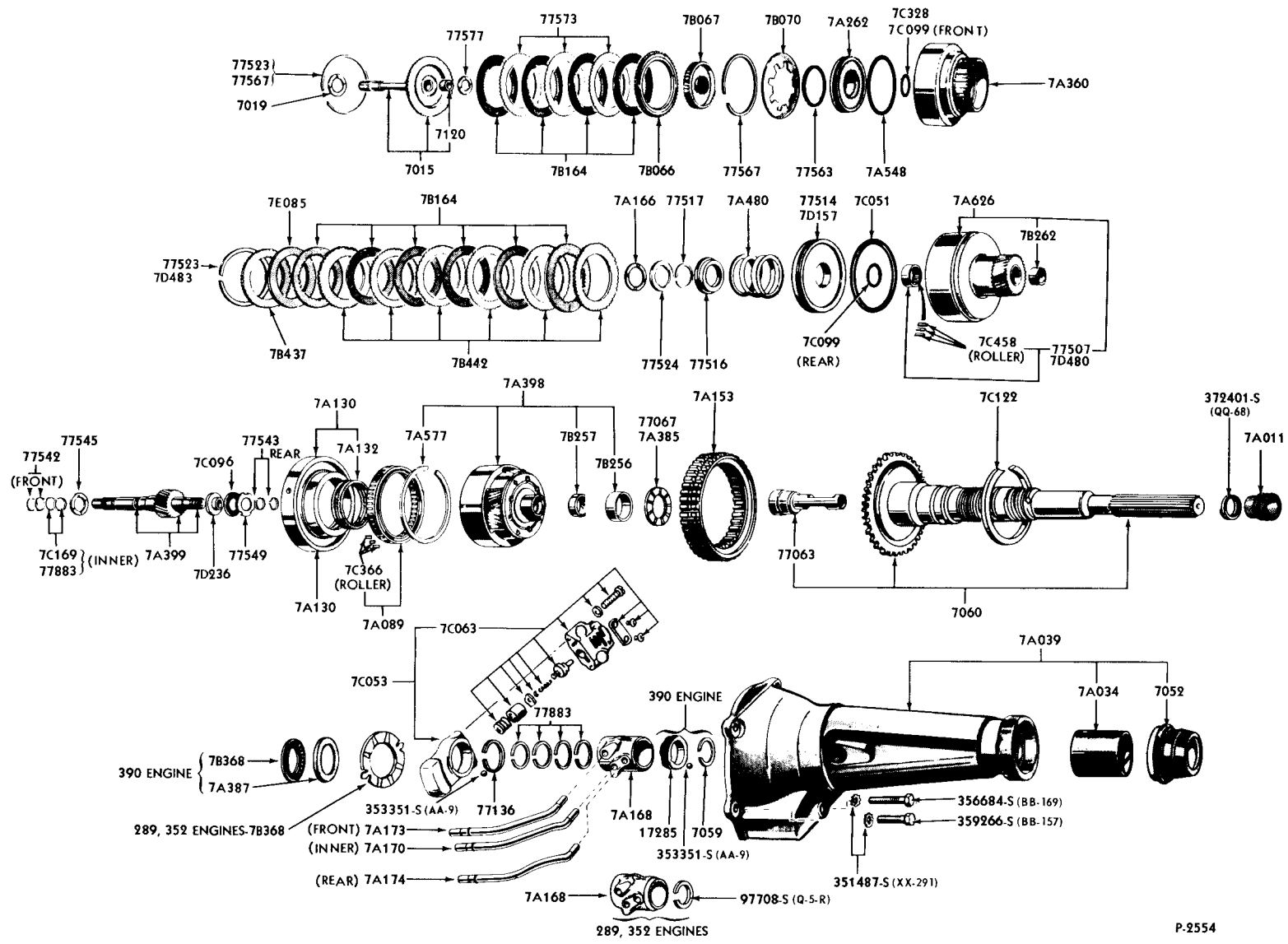
1960/64 REAR SERVO & BAND-FORD, FAIRLANE, FALCON-TYPICAL



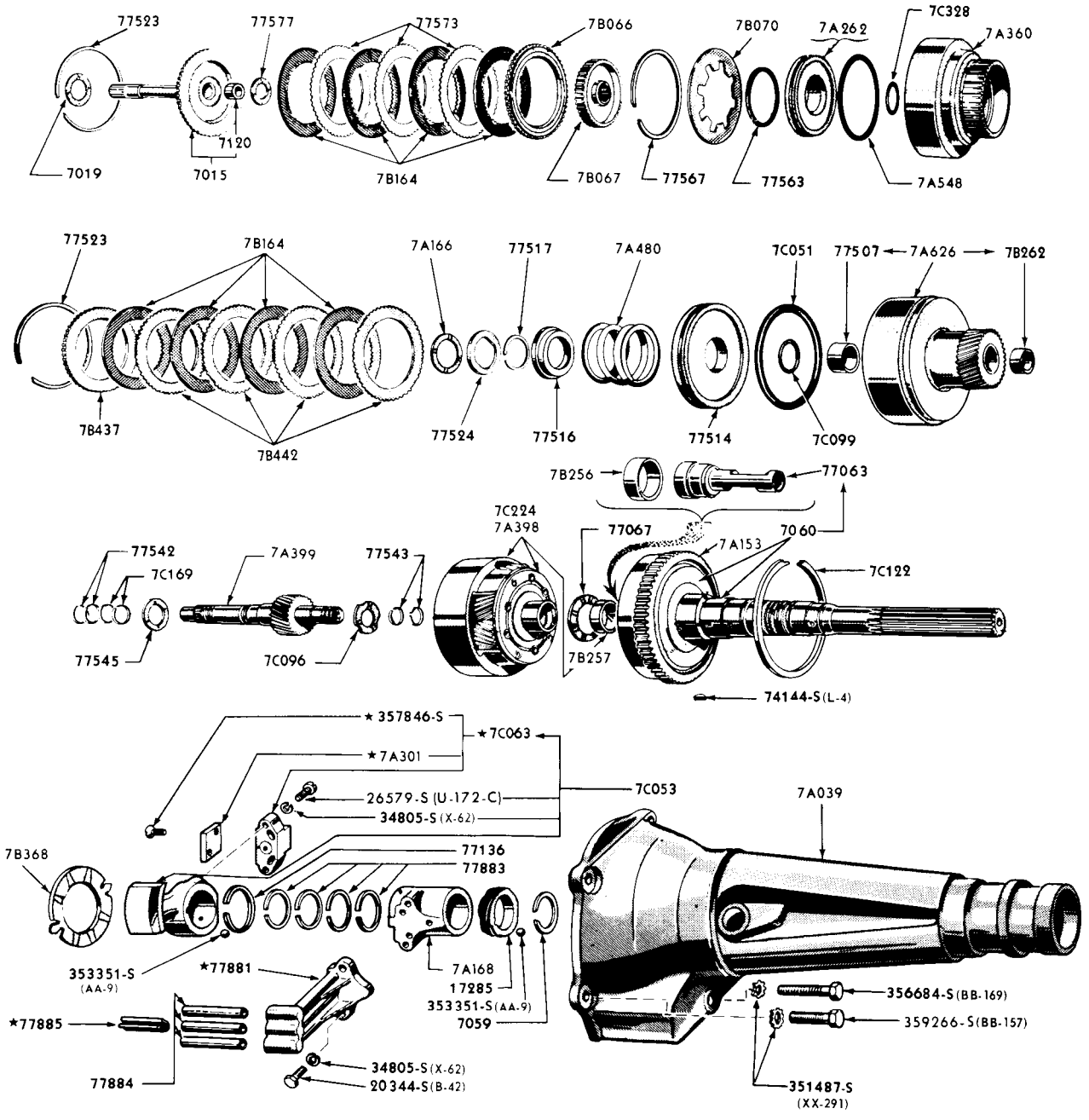
1960/64 FRONT SERVO & BAND-FORD, FAIRLANE, FALCON-TYPICAL



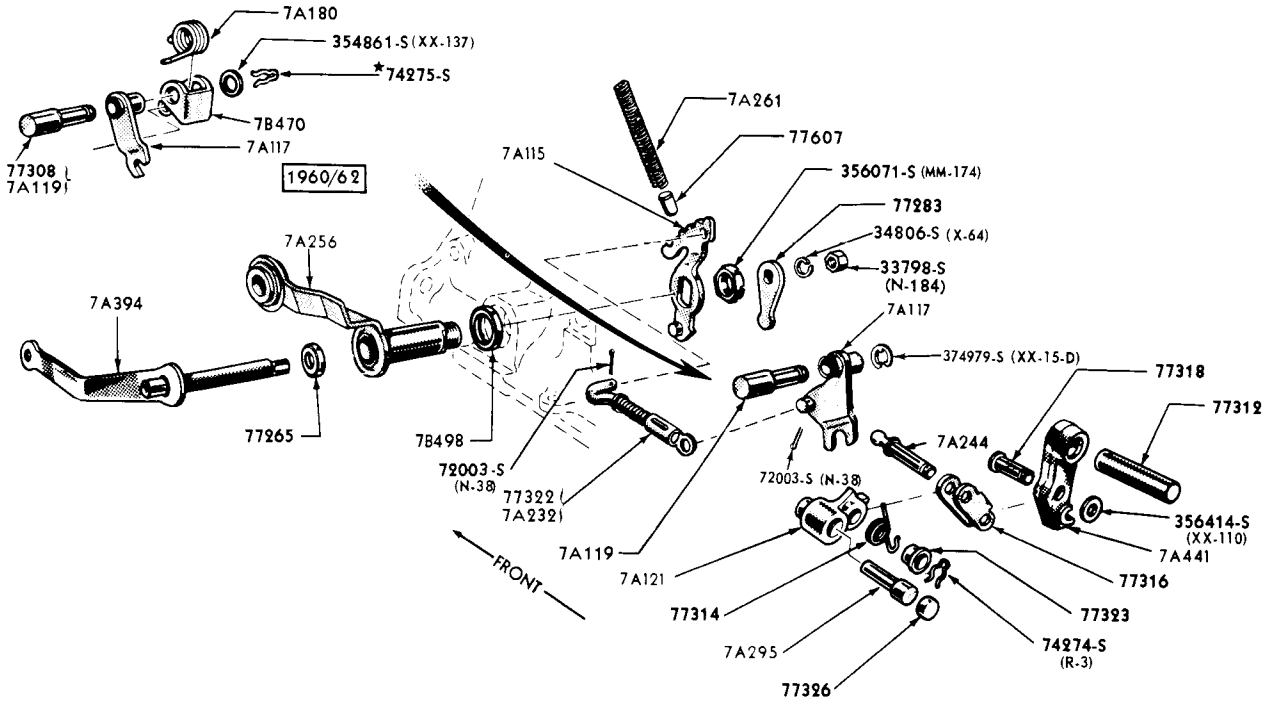
1980 / CASE, CONVERTER ASSY., EXTENSION, PUMPS & RELATED PARTS-FORD, THUNDERBIRD-TYPICAL



1960 / FX, MX MODELS CLUTCHES, GEARS, SHAFTS & RELATED PARTS-FORD, THUNDERBIRD-TYPICAL

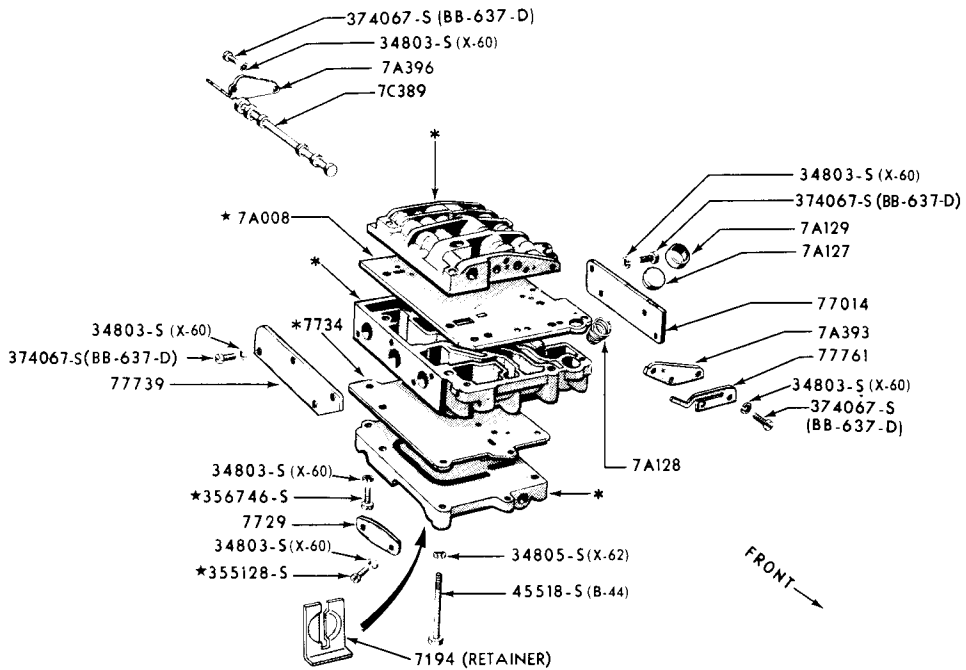


P-1886



P5206

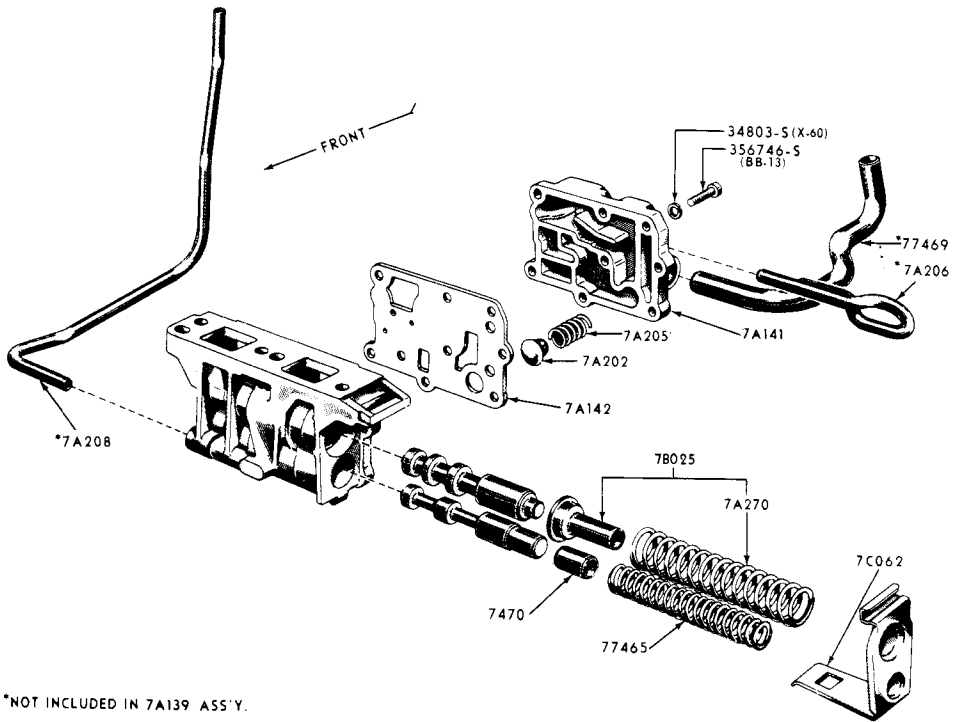
1960/ PARKING PAWL, THROTTLE & MANUAL CONTROL LINKAGE-FORD, THUNDERBIRD-TYPICAL



* SUPPLIED IN 7A100 CONTROL VALVE ASSY.

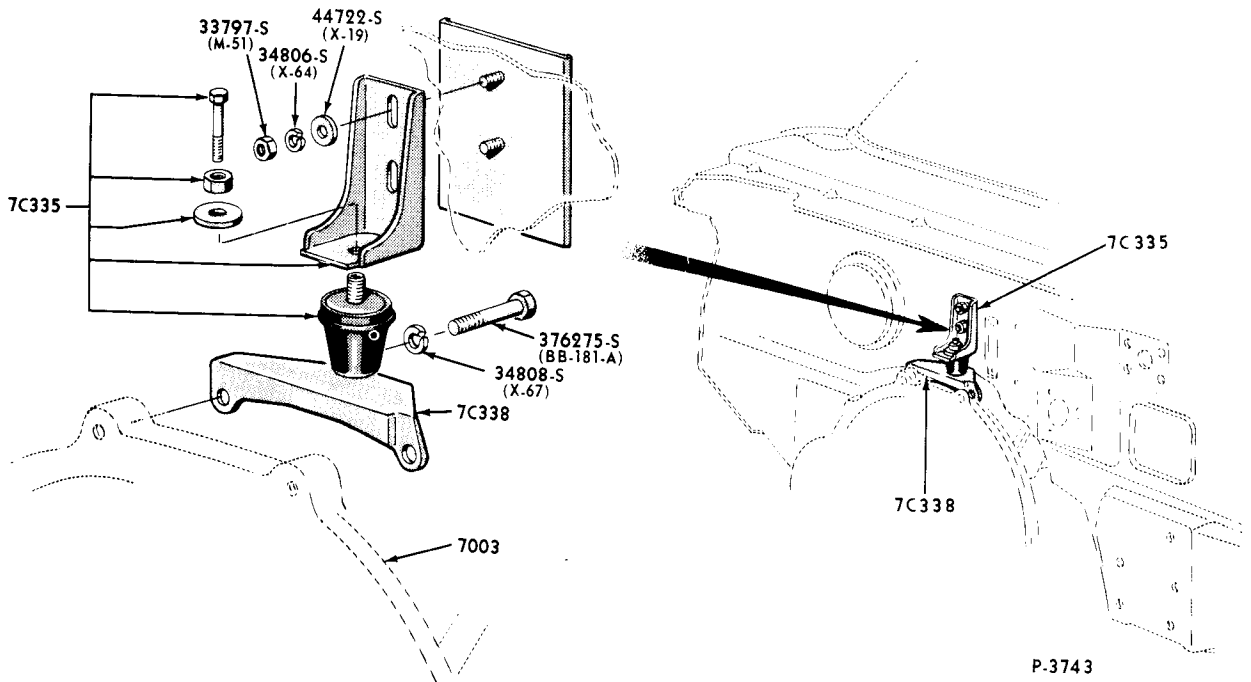
P-2583

1960/ MAIN CONTROL VALVE BODY ASSY. -(BASIC 7A100)-FORD, THUNDERBIRD-TYPICAL



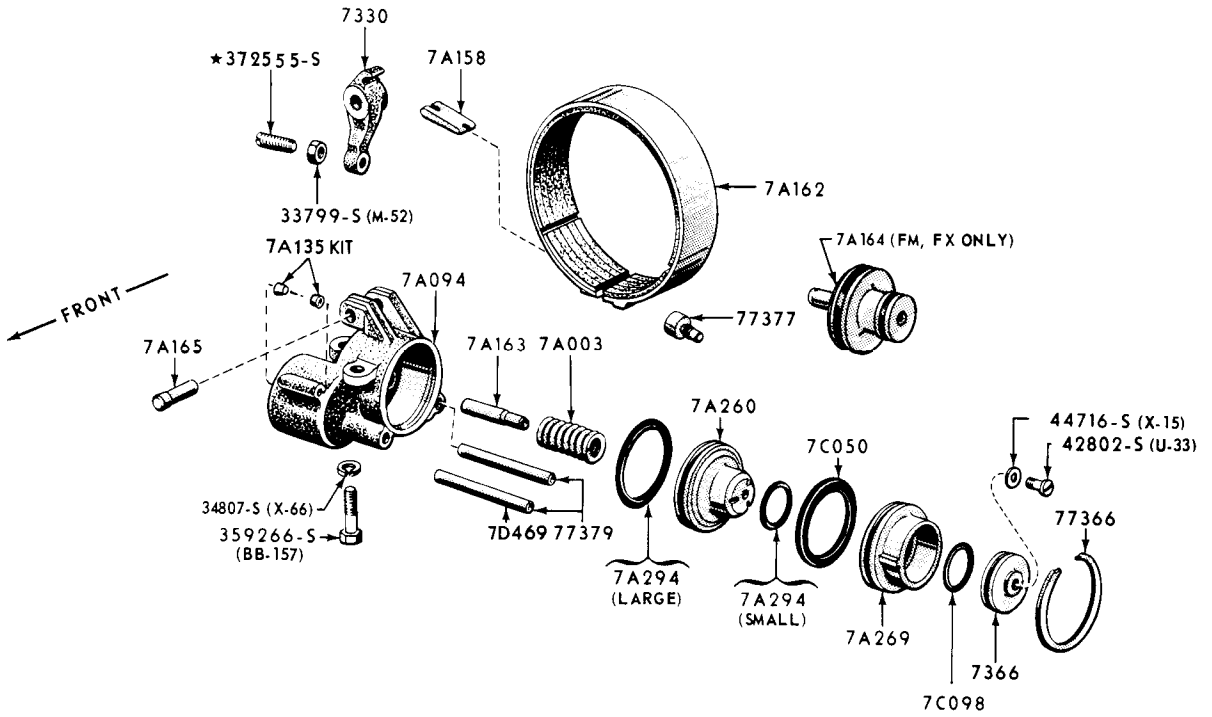
P-1725

1960/ OIL PRESSURE REGULATOR & RELATED PARTS-(BASIC 7A139)-FORD, THUNDERBIRD-TYPICAL



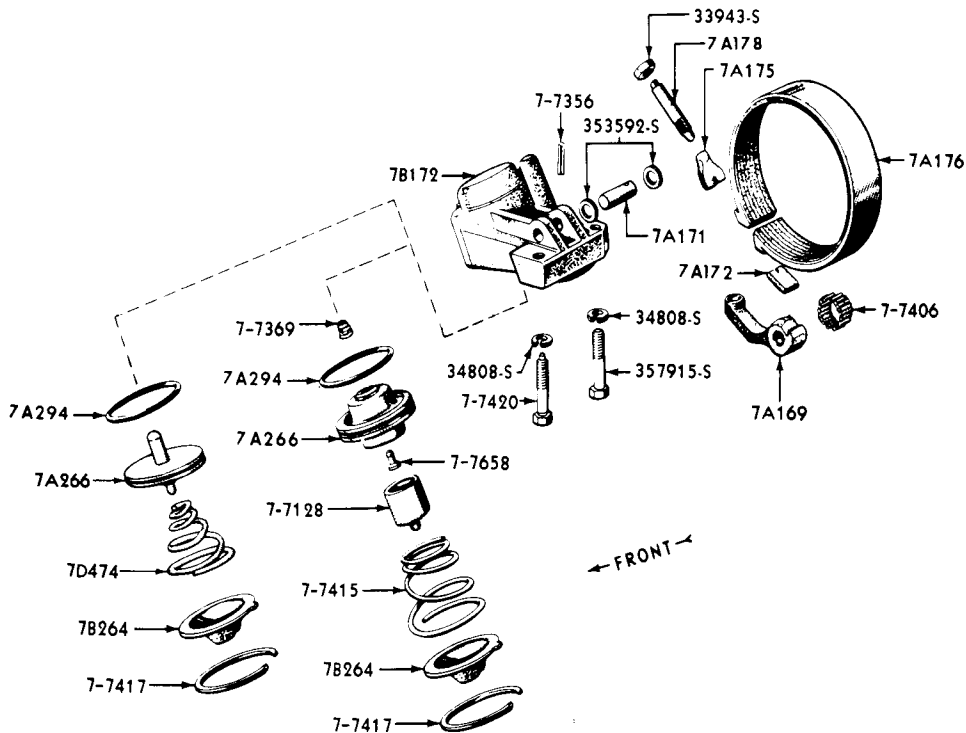
P-3743

1962 C/M TRANSMISSION DASH PANEL INSULATOR & BRACKET TO TRANSMISSION-THUNDERBIRD-TYPICAL



P-2561

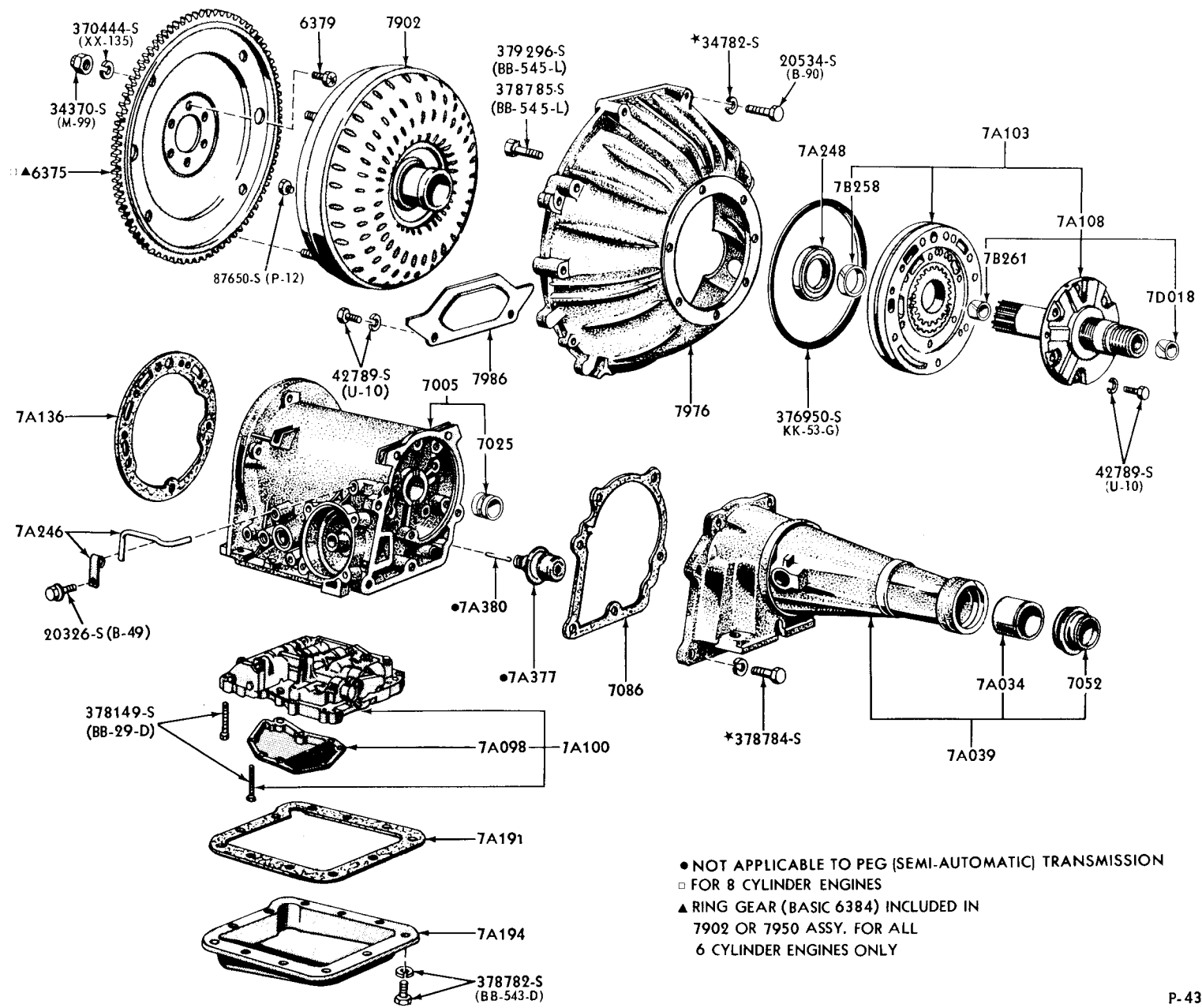
1960/ FRONT SERVO & BAND-FORD, THUNDERBIRD-TYPICAL



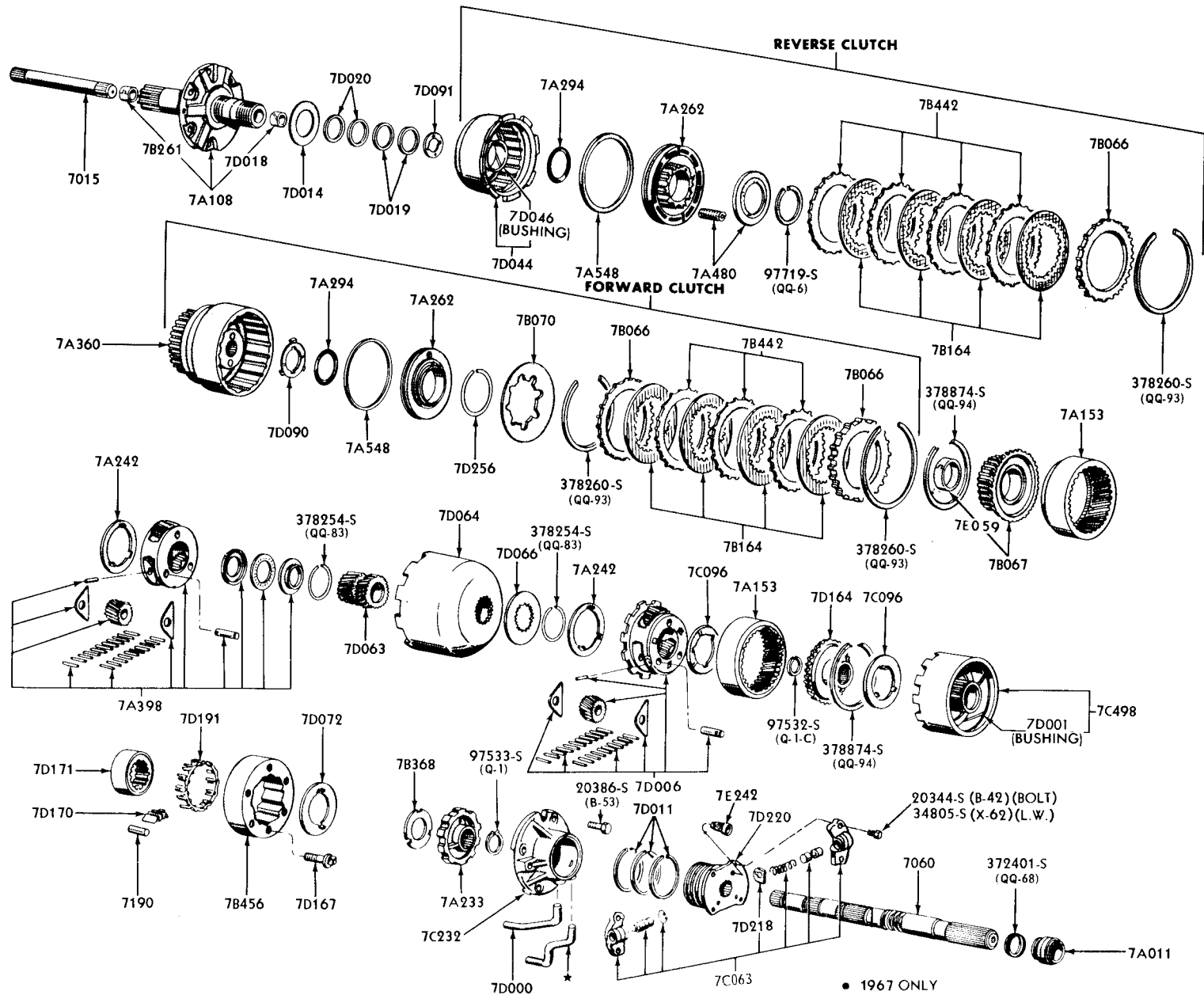
P-6547

1960/ REAR SERVO & BAND-FORD, THUNDERBIRD-TYPICAL

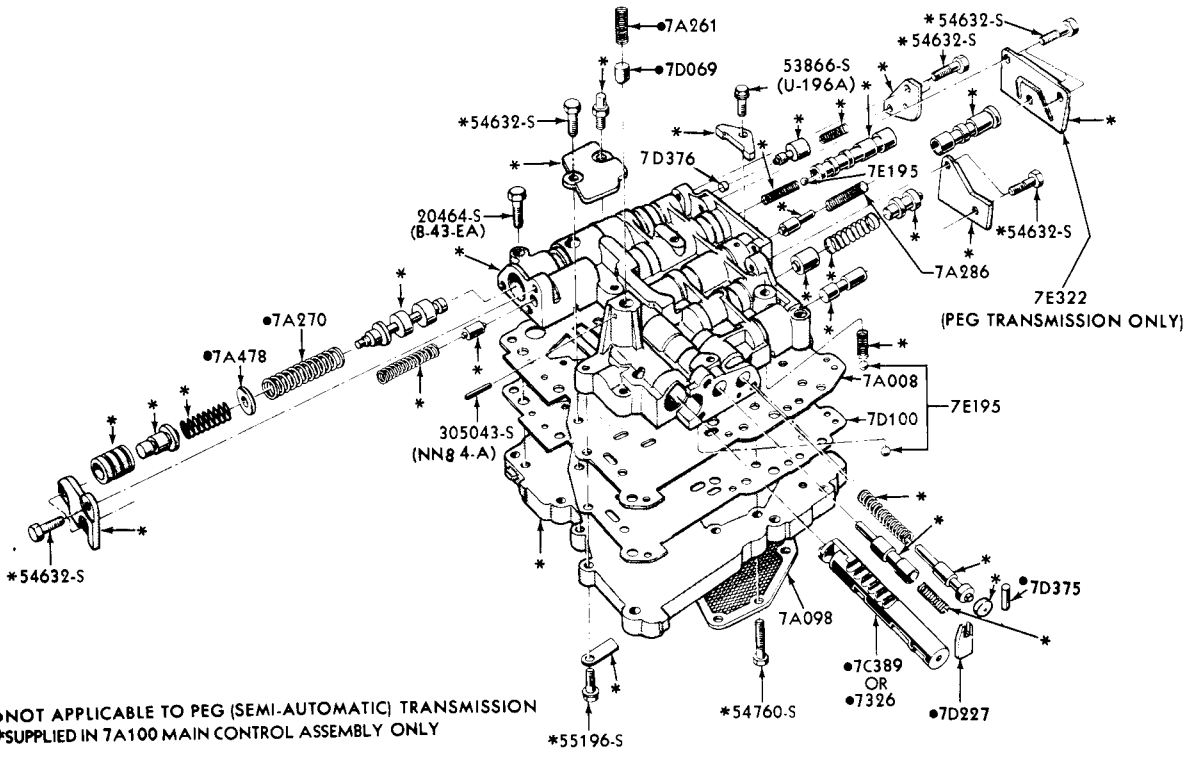
1964/ CASE, CONVERTER ASSY., EXTENSION, PUMP & RELATED PARTS-FORD, FAIRLANE-TYPICAL



- NOT APPLICABLE TO PEG (SEMI-AUTOMATIC) TRANSMISSION
- FOR 8 CYLINDER ENGINES
- ▲ RING GEAR (BASIC 6384) INCLUDED IN 7902 OR 7950 ASSY. FOR ALL 6 CYLINDER ENGINES ONLY

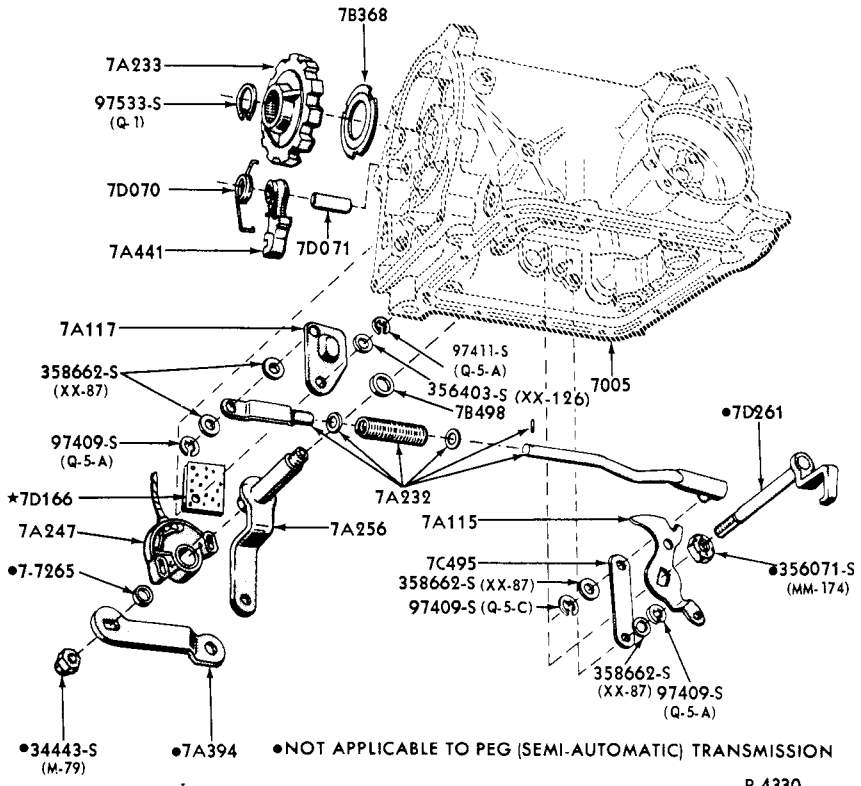


1964/ CLUTCHES, GEARS, SHAFTS, REAR SUPPORT & RELATED PARTS-FORD, FAIRLANE-TYPICAL



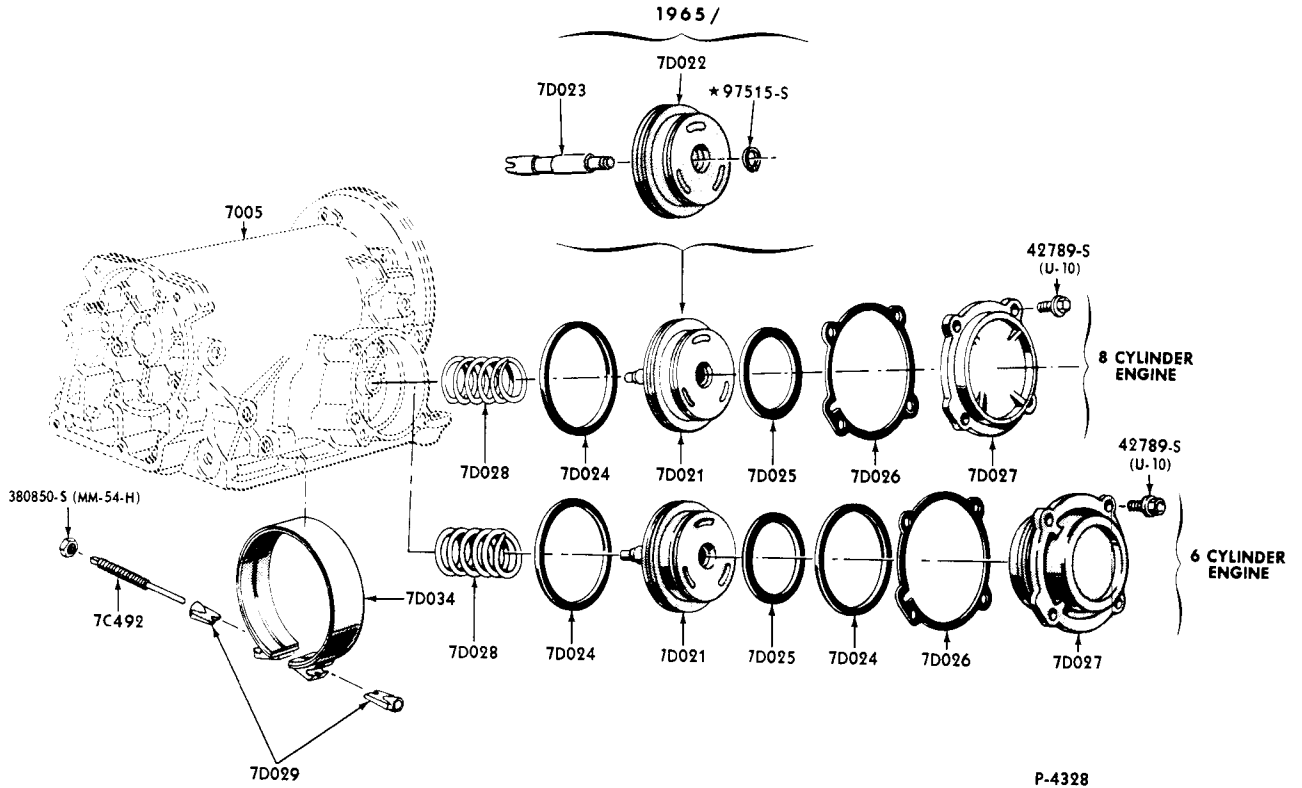
1964/ MAIN CONTROL VALVE BODY-(BASIC 7A100)-FORD, FAIRLANE-TYPICAL

P-4507

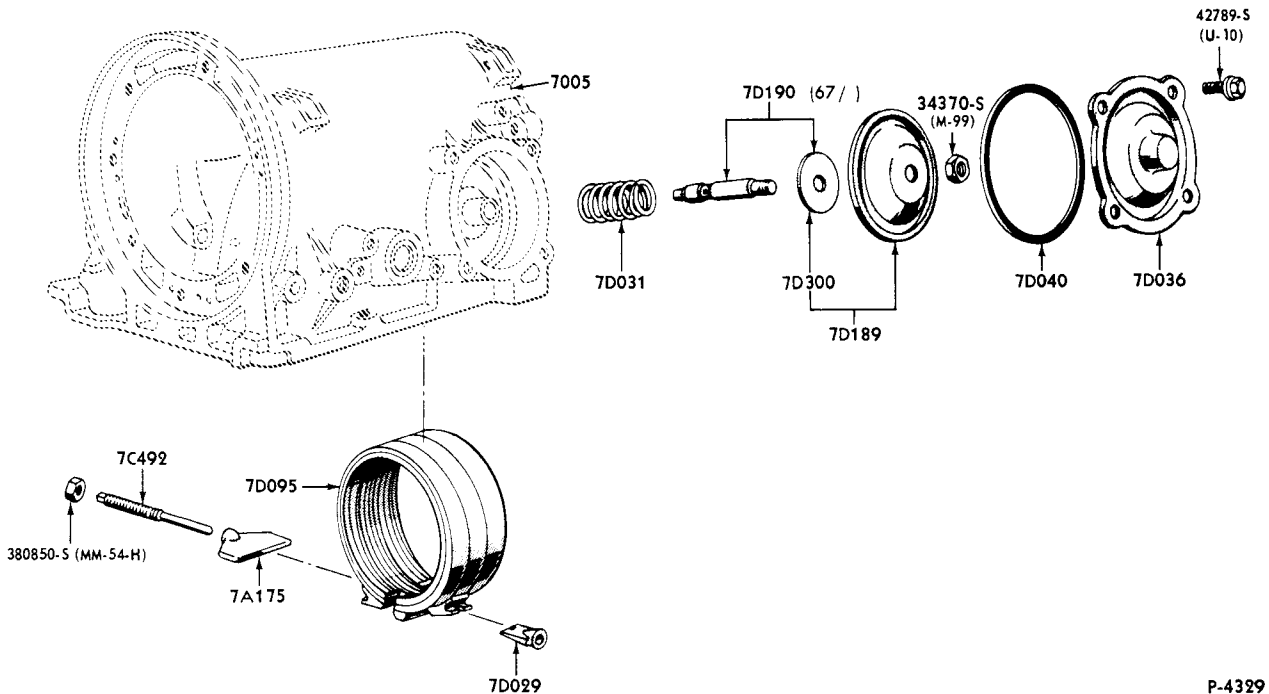


1964/ PARKING PAWL, THROTTLE & MANUAL CONTROL LINKAGE-FORD, FAIRLANE-TYPICAL

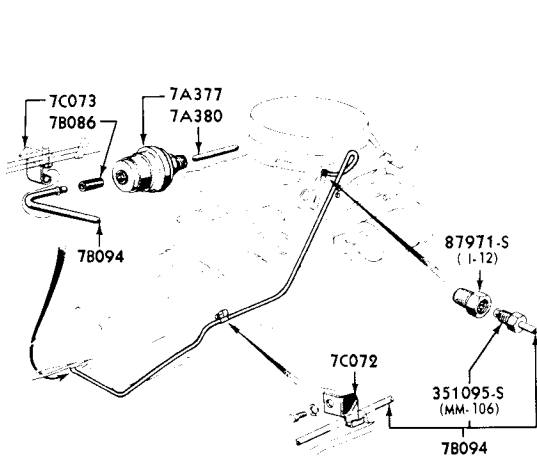
P-4330



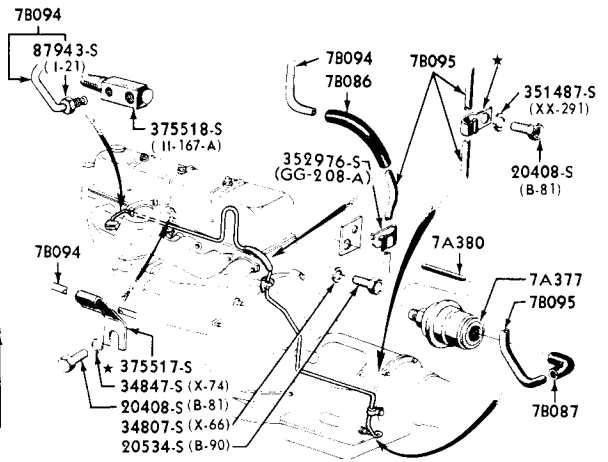
1964/ FRONT SERVO & BAND-FORD, FAIRLANE-TYPICAL



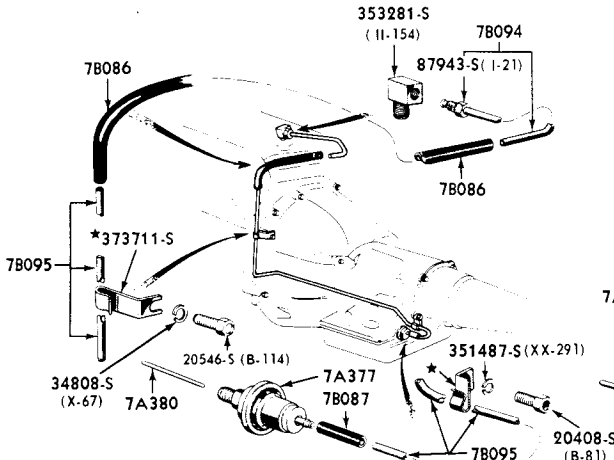
1964/ REAR SERVO & BAND-FORD, FAIRLANE-TYPICAL



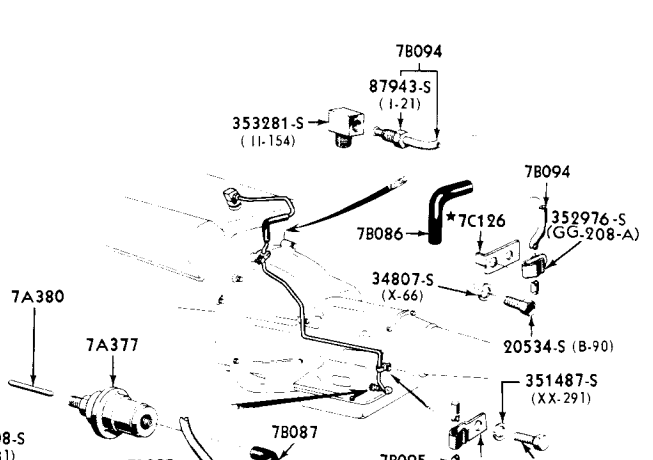
6 CYLINDER 144, 170 & 200 ENGINES



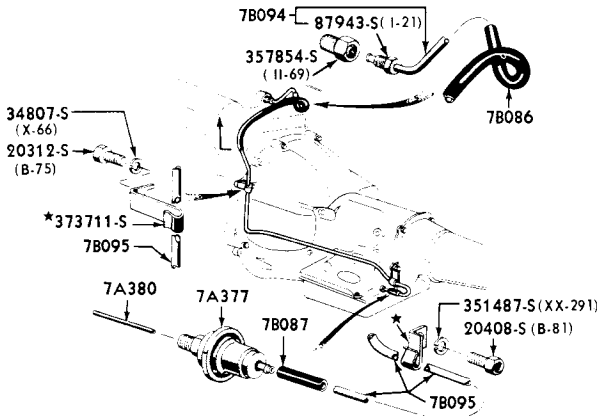
6 CYLINDER 223 & 240 ENGINES



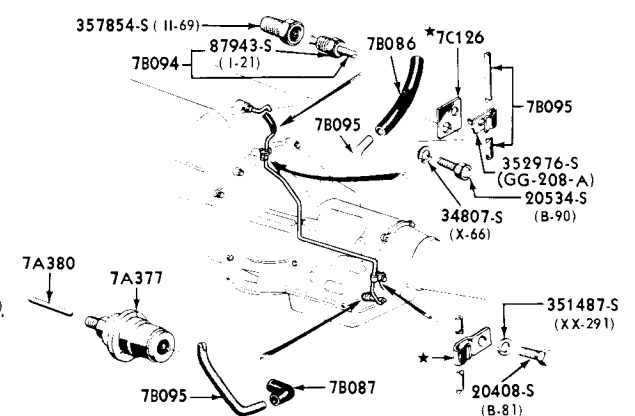
8 CYLINDER 352, 390, 428 & 430 ENGINES WITH C/M & C6 TRANSMISSIONS



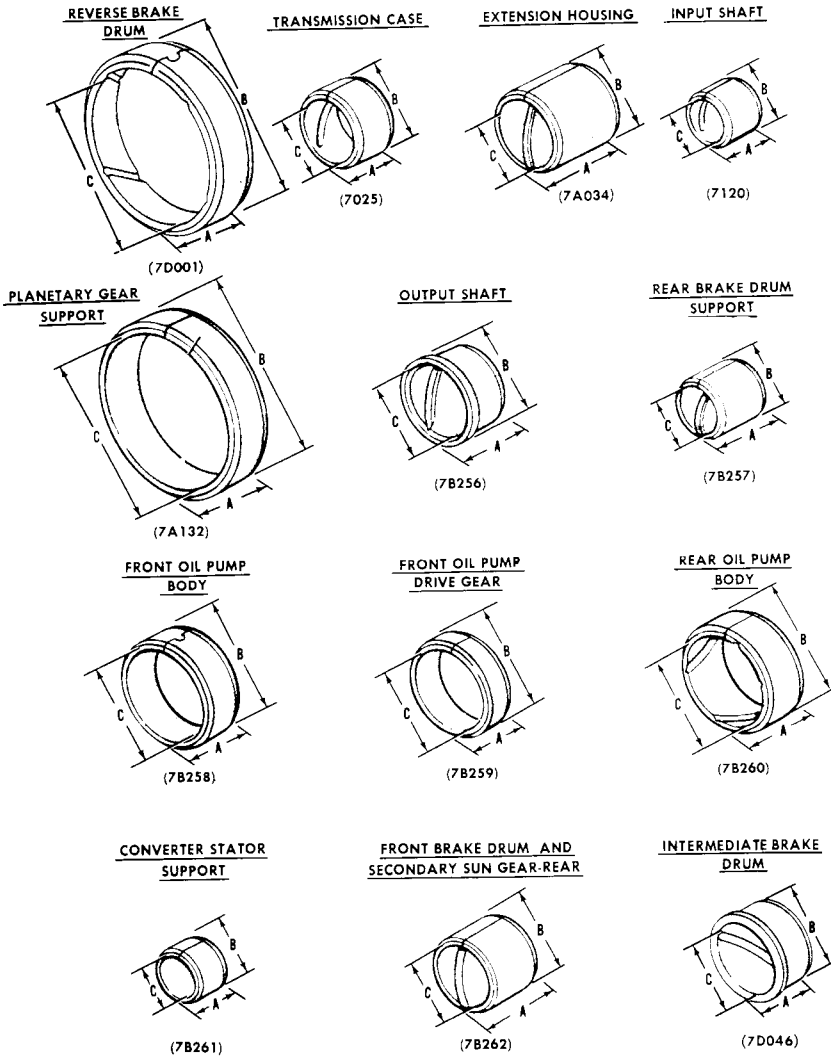
8 CYLINDER 352 ENGINE WITH F/M/2 TRANSMISSION



8 CYLINDER 260, 289, 292 & 302 ENGINES WITH C/M & C4 TRANSMISSIONS



8 CYLINDER 292 ENGINE WITH F/M/2 TRANSMISSION



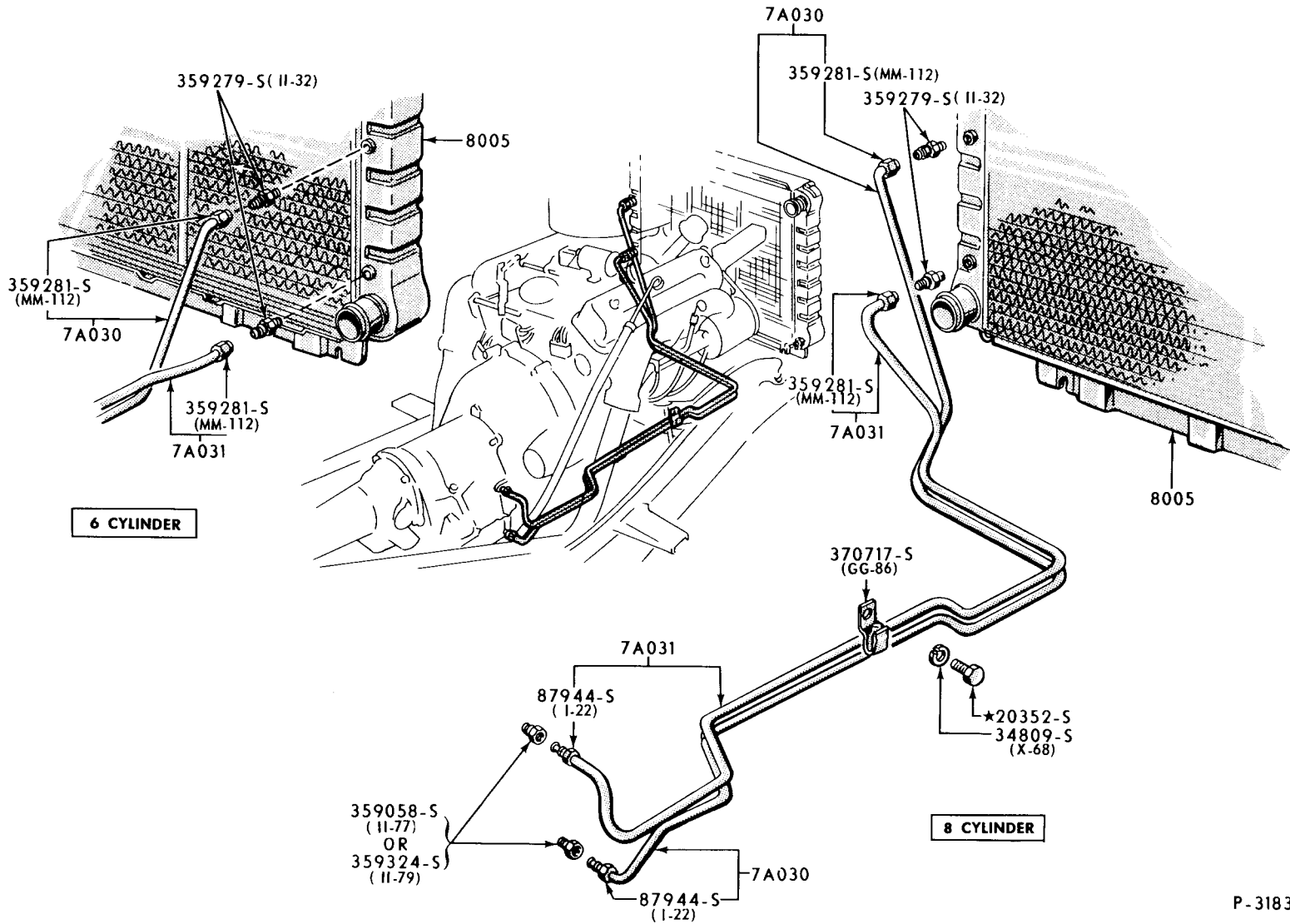
P.4862

BUSHINGS - AUTOMATIC TRANSMISSION MISCELLANEOUS

A	B	C	PART NUMBER	A	B	C	PART NUMBER
3/4"	1 1/2"	1 3/8"	• B1A 7025-A	1"	1 3/4"	1 5/8"	★COMP 7B256-A
3/4"	1 1/2"	1 3/8"	• B1A 7025-B	3/4"	1 1/8"	1"	B1AZ 7B257-B
7/8"	1 1/2"	1 3/8"	B5A 7025-A	1"	1 1/8"	1"	B5AZ 7B257-A
7/8"	1 5/8"	1 1/2"	COMP 7025-A	29/32"	2 1/2"	2 3/8"	C0AP 7B257-A
1 1/2"	1 5/8"	1 1/2"	B3TZ 7A034-A	15/16"	1 1/4"	1 1/8"	★COMP 7B257-A
2 1/8"	1 13/16"	1 11/16"	B5AZ 7A034-A	33/64"	2 1/8"	2"	C0AP 7B258-A
1 3/8"	1 1/2"	1 3/8"	C0DP 7A034-B	37/64"	2 1/16"	1 15/16"	C1AZ 7B258-A
3/4"	1"	7/8"	B1AZ 7120-A	7/16"	1 15/16"	1 13/16"	COMP 7B259-A
27/32"	1"	7/8"	★B5A 7120-B	3/8"	1 15/16"	1 13/16"	C1AZ 7B259-A
27/32"	1 1/8"	1"	★COMP 7120-A	3/4"	2 3/16"	2 1/16"	B5AZ 7B260-A
27/32"	1"	7/8"	C3AZ 7120-B	7/8"	2"	1 7/8"	C0AP 7B260-A
5/8"	3 3/8"	3 3/16"	B1AZ 7A132-A	13/16"	2 5/16"	2 3/16"	C3SZ 7B260-B
11/16"	3 5/16"	3 5/32"	B9AP 7A132-A	3/4"	1 1/32"	29/32"	★B1AZ 7B261-A
23/32"	3 27/32"	3 11/16"	B9MP 7A132-A	9/16"	1"	1 5/16"	B5AZ 7B261-A
11/16"	3 5/16"	3 5/32"	•C3AZ 7A132-A	1"	1 3/16"	1 3/4"	C0AP 7B261-A
11/16"	3 5/16"	3 5/32"	•C4AZ 7A132-A	9/16"	1 1/16"	1"	★COMP 7B261-A
7/8"	1 5/8"	1 1/2"	B5AZ 7B256-A	1 1/16"	1 7/16"	1 5/16"	B5AZ 7B262-A
3/8"	1 1/8"	1"	C0AP 7B256-A	1 1/8"	1 11/16"	1 9/16"	COMP 7B262-A

• RECONDITIONERS ONLY

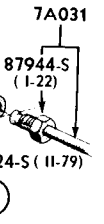
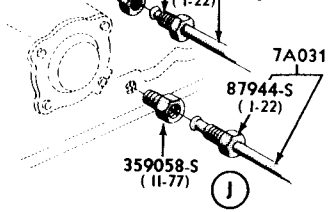
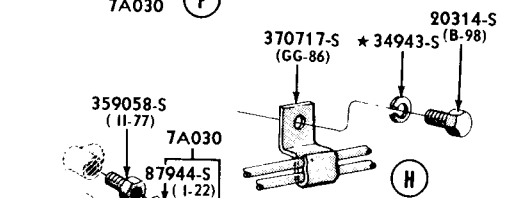
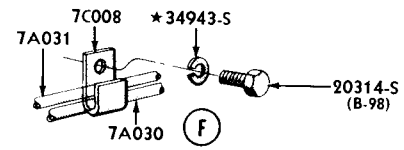
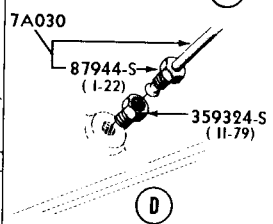
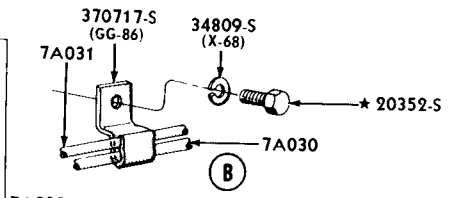
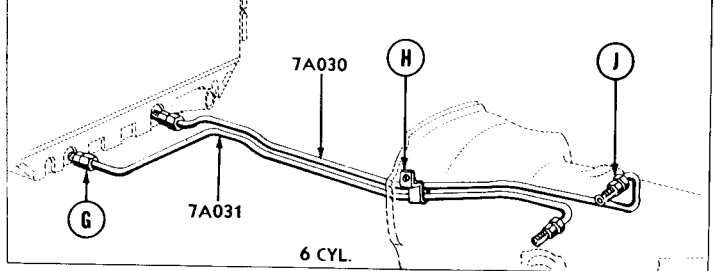
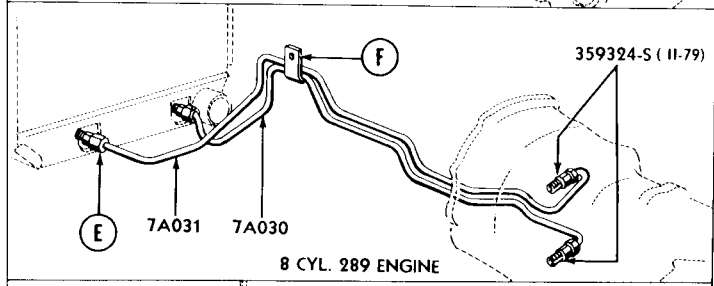
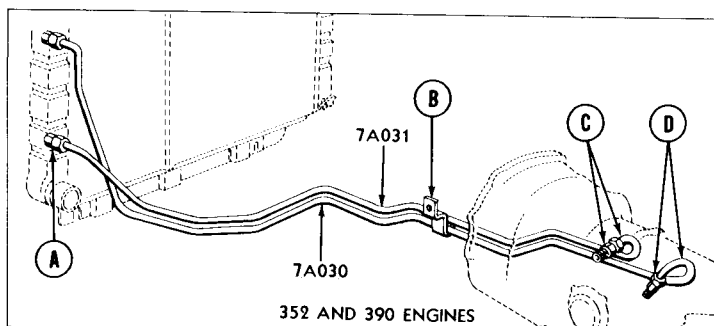
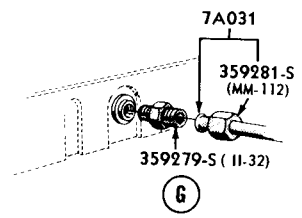
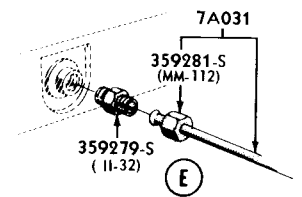
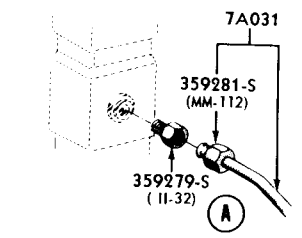
• DEALER INSTALLATION



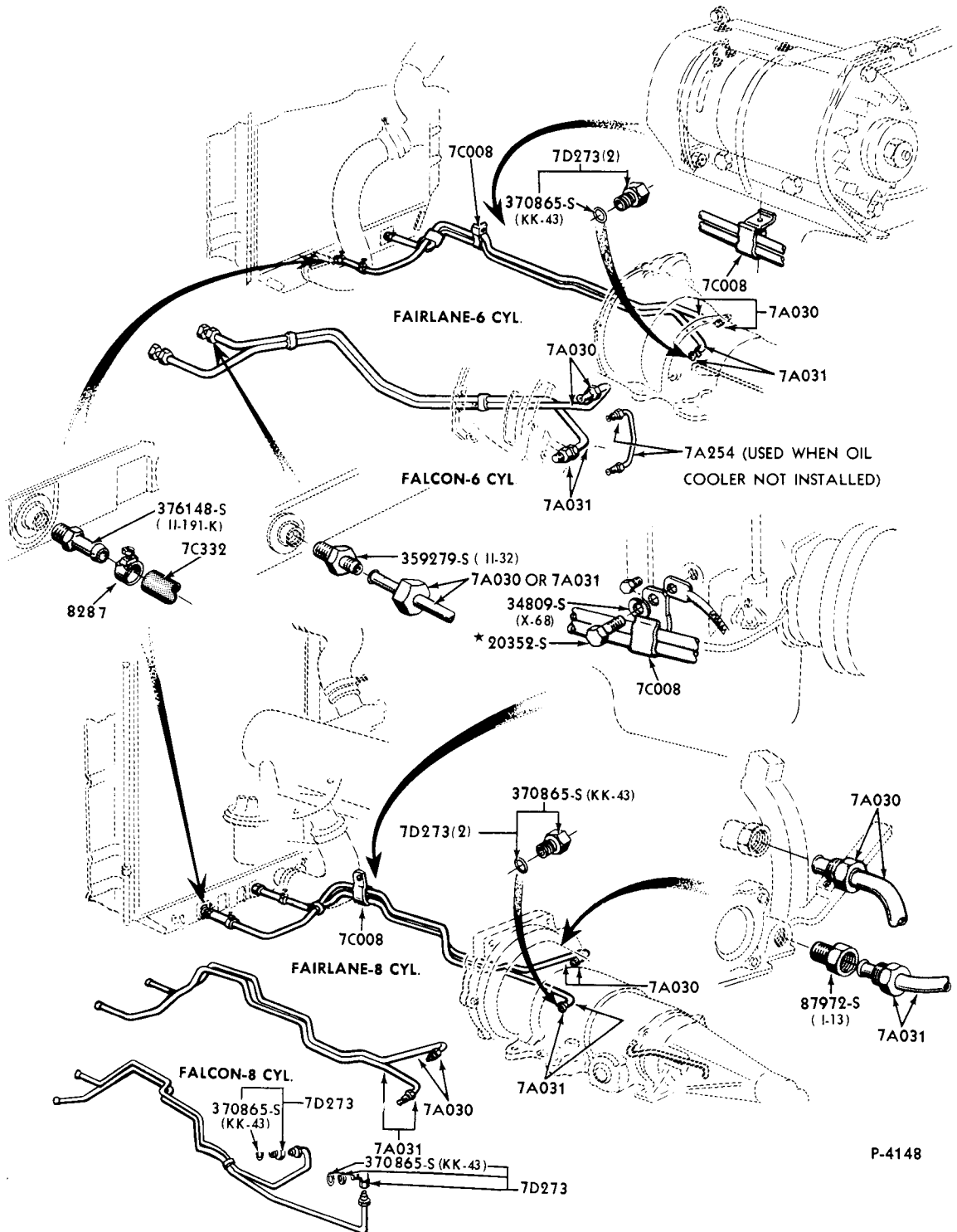
6 CYLINDER

8 CYLINDER

1960/63 TRANSMISSION OIL COOLING SYSTEM-FORD-TYPICAL

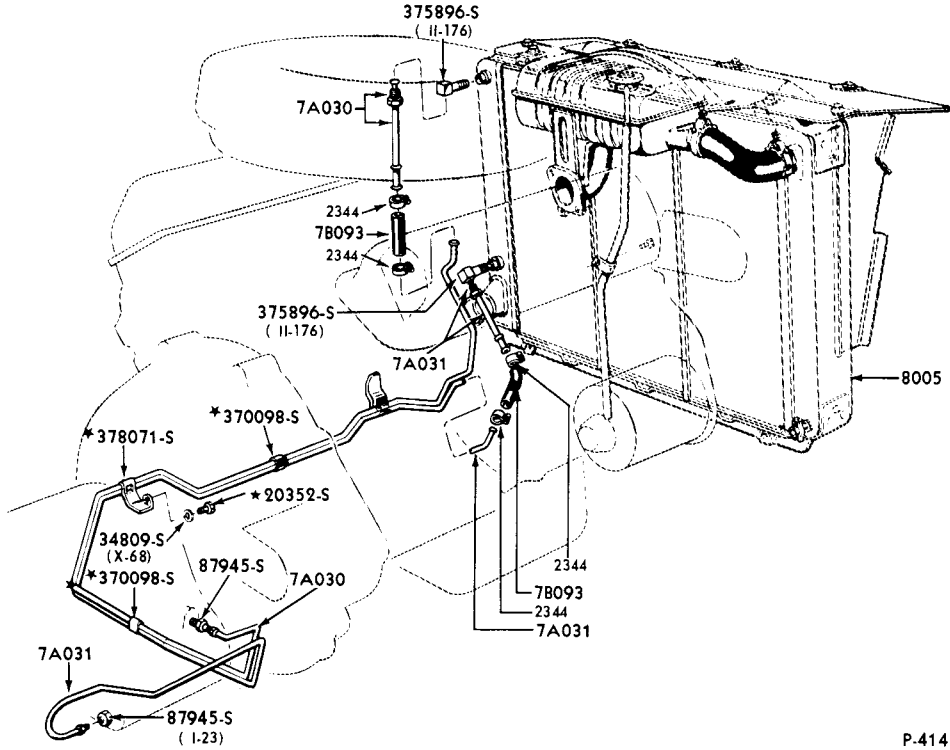


P-4244



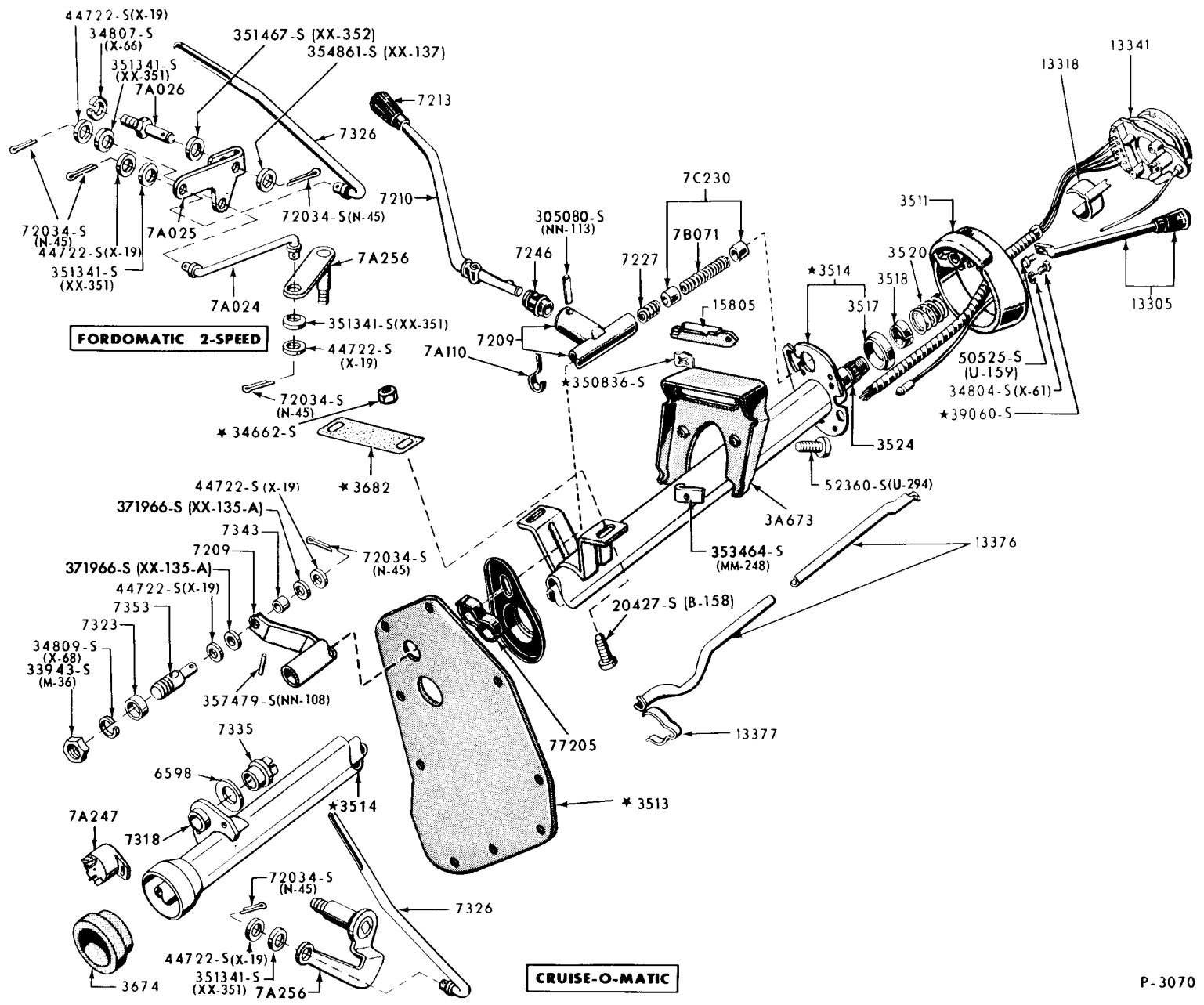
FALCON - 8 CYL., MUSTANG - 6 & 8 CYL. WITH C-4 DUAL RANGE TRANS.

P-4148



P.4145

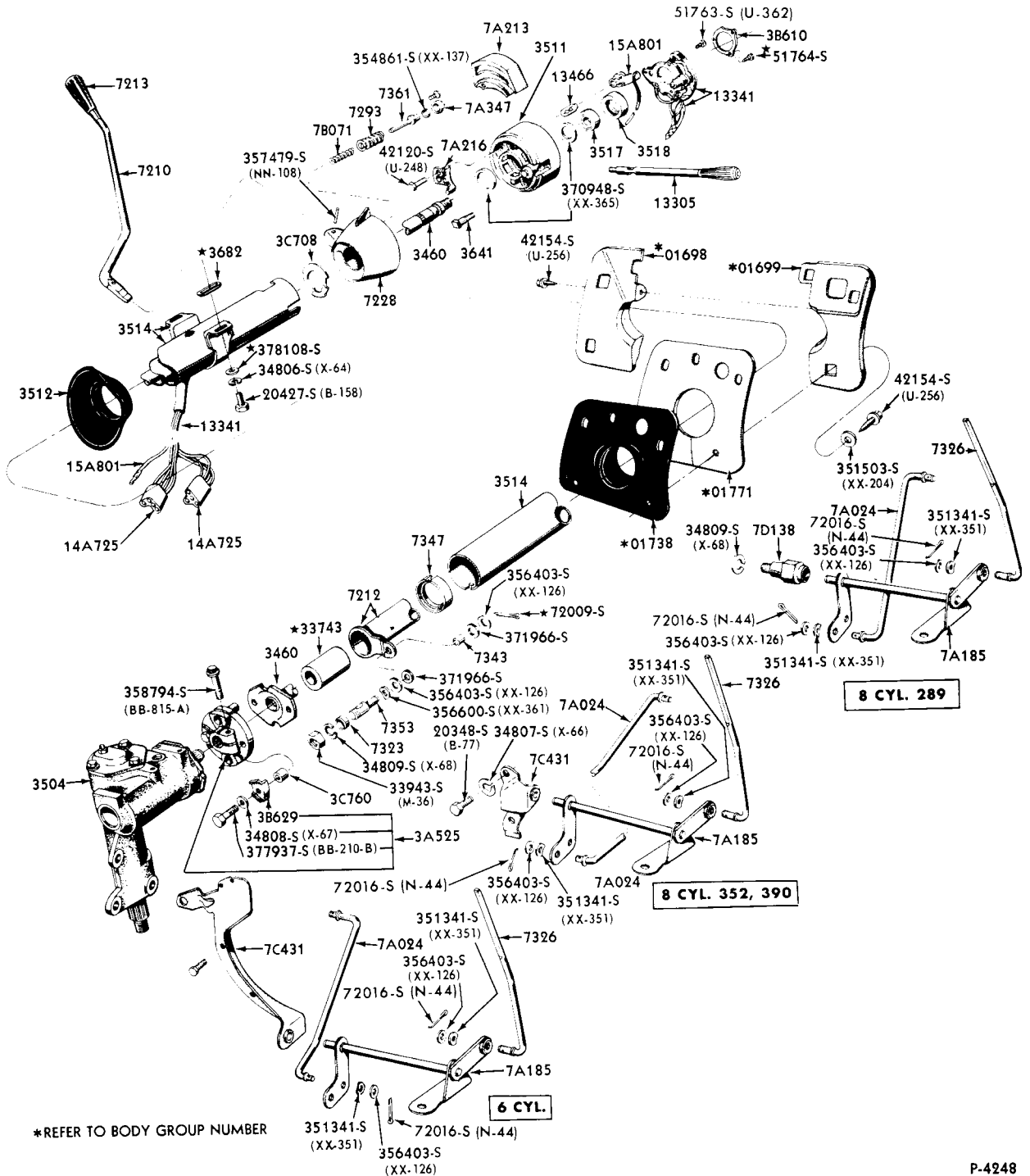
1962/ TRANSMISSION OIL COOLING SYSTEM-THUNDERBIRD WITH MX TRANSMISSION-TYPICAL

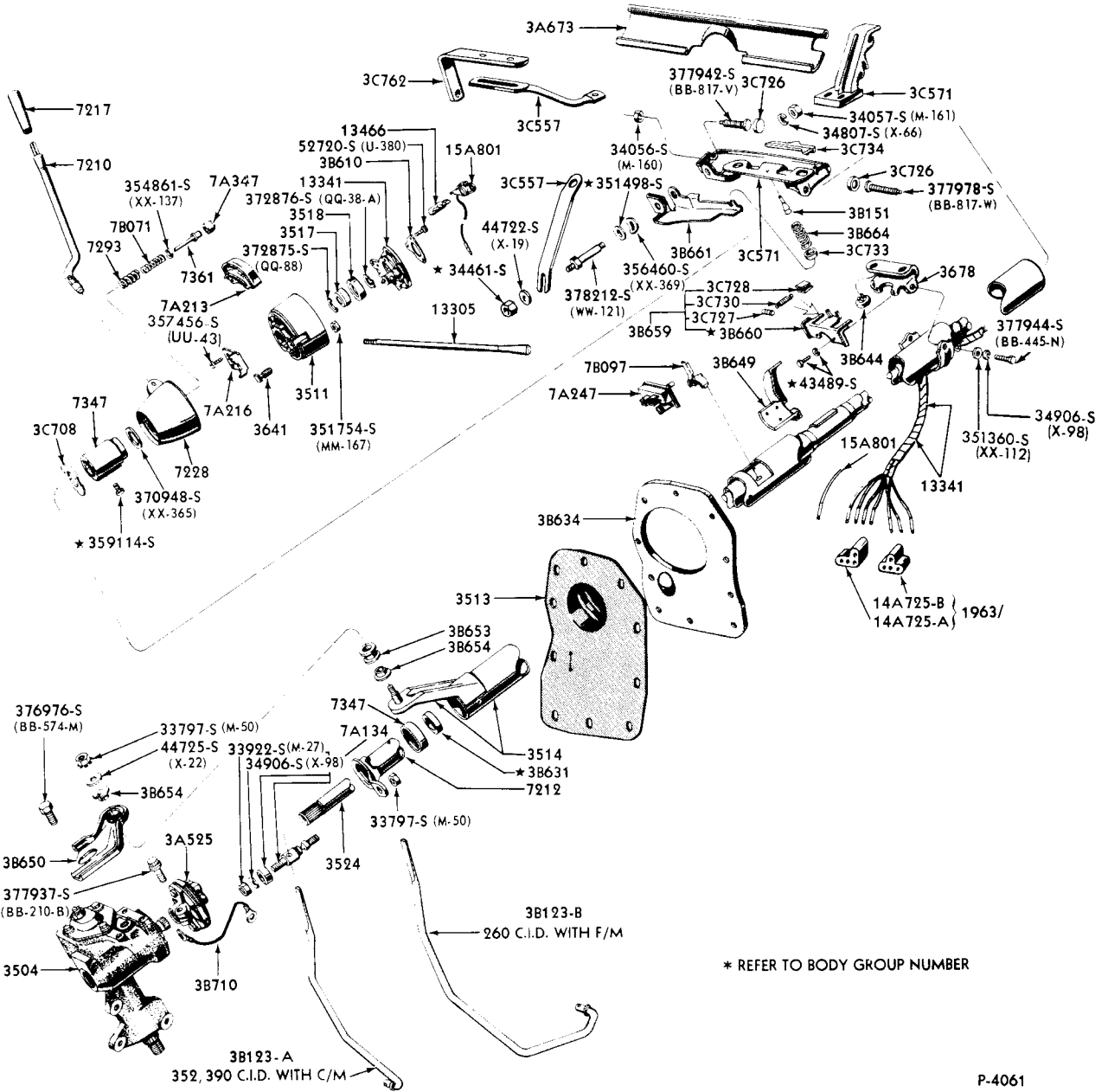


FORDOMATIC 2-SPEED

CRUISE-O-MATIC

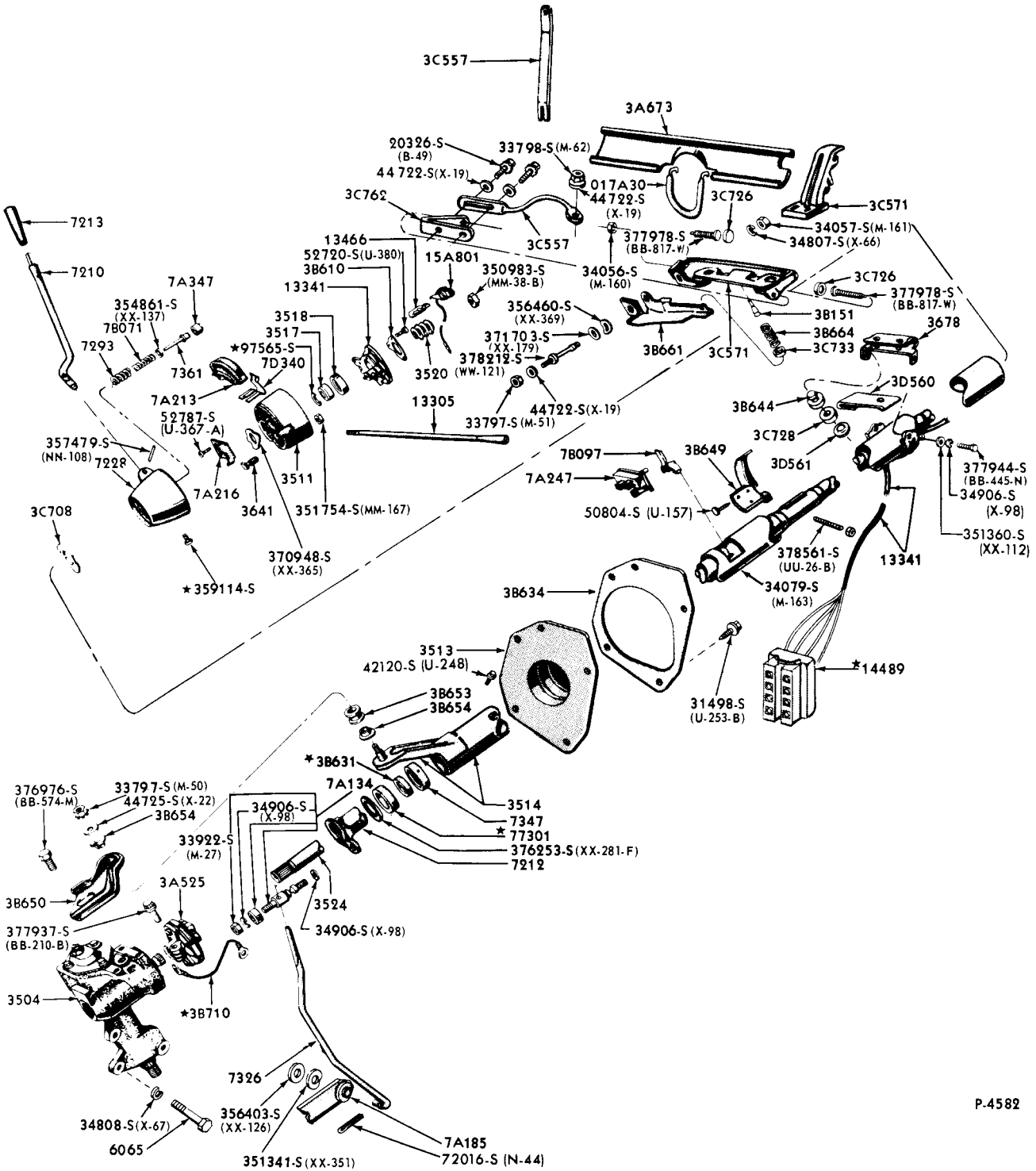
1960 STEERING COLUMN & SHIFT CONTROL SELECTOR MECHANISM-FORD-TYPICAL



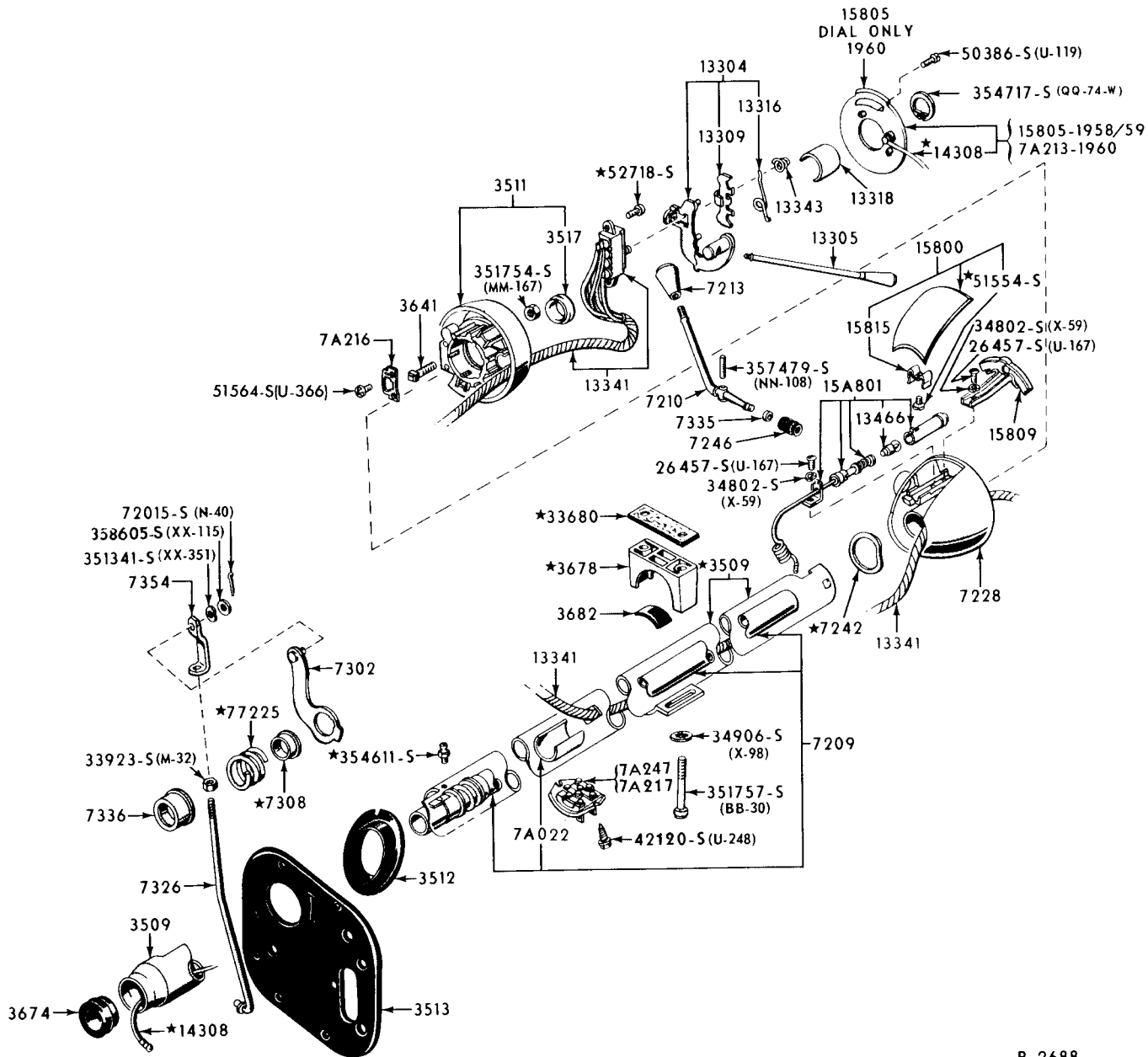


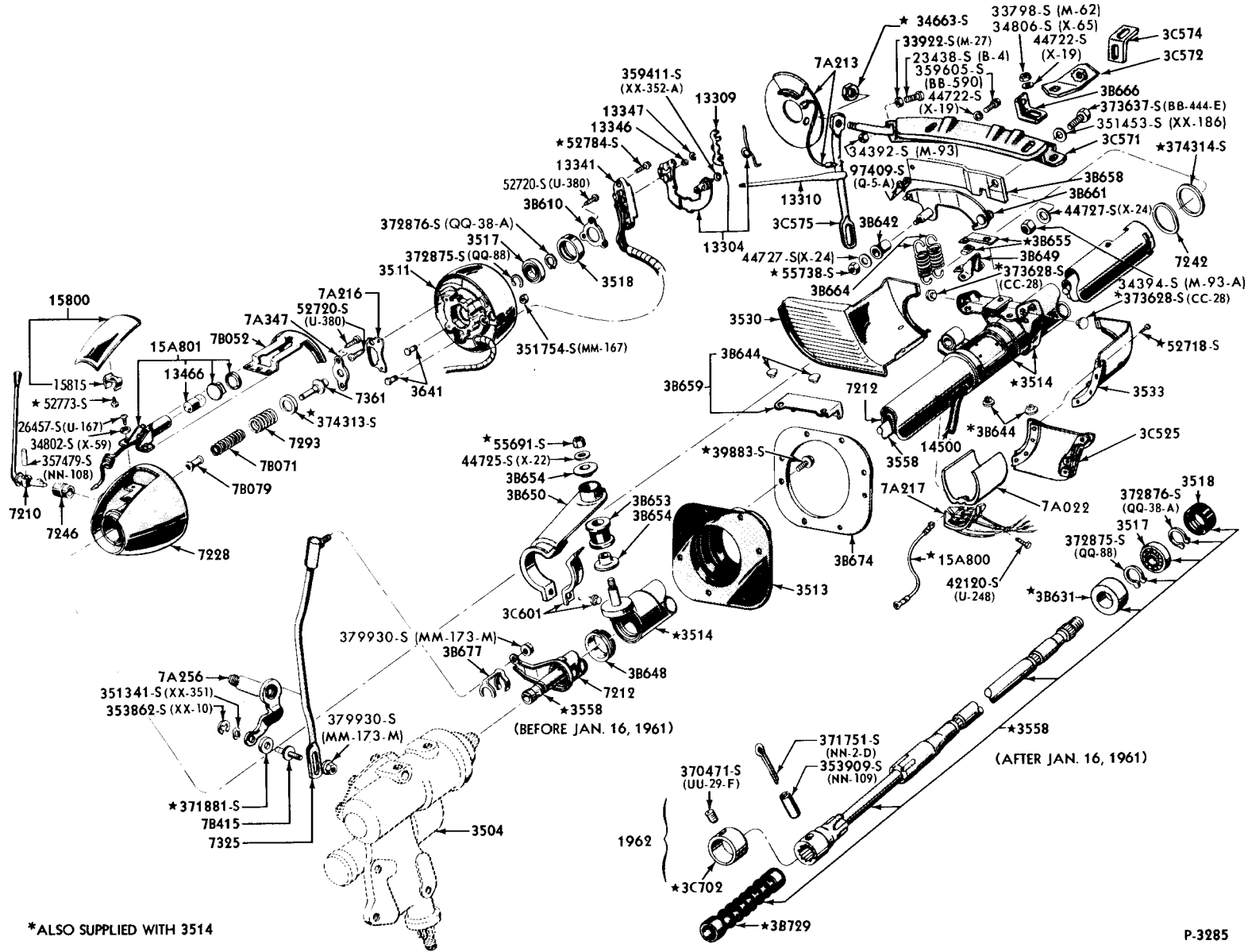
P-4061

1963 MOVABLE STEERING COLUMN & SHIFT CONTROL SELECTOR-FORD-TYPICAL



1964 MOVABLE STEERING COLUMN & SHIFT CONTROL SELECTOR MECHANISM-FORD-TYPICAL

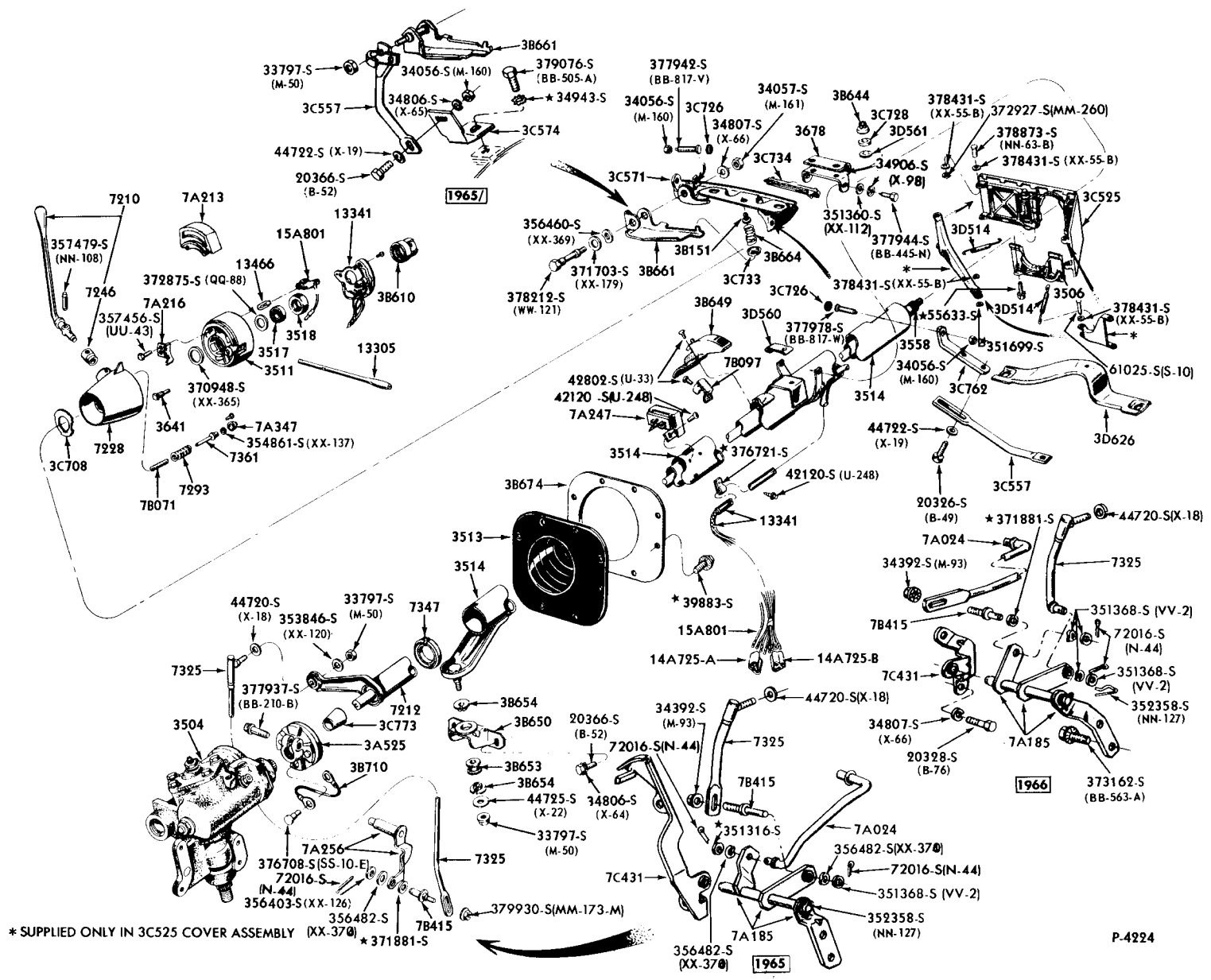




1961/63 MOVABLE STEERING COLUMN & SHIFT CONTROL SELECTOR MECHANISM-THUNDERBIRD-TYPICAL

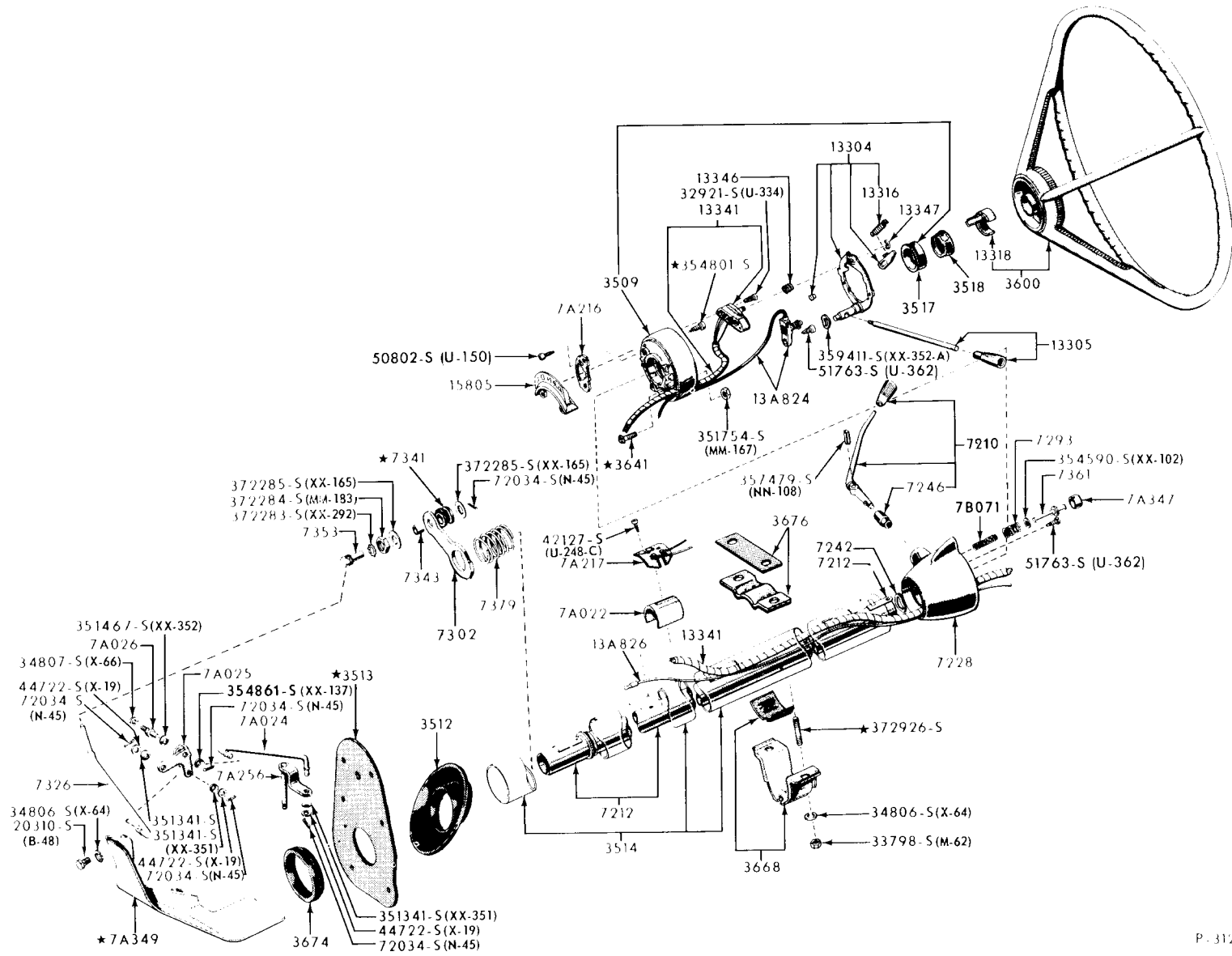
*ALSO SUPPLIED WITH 3514

1964 / MOVABLE STEERING COLUMN & SHIFT CONTROL SELECTOR MECHANISM-THUNDERBIRD-TYPICAL

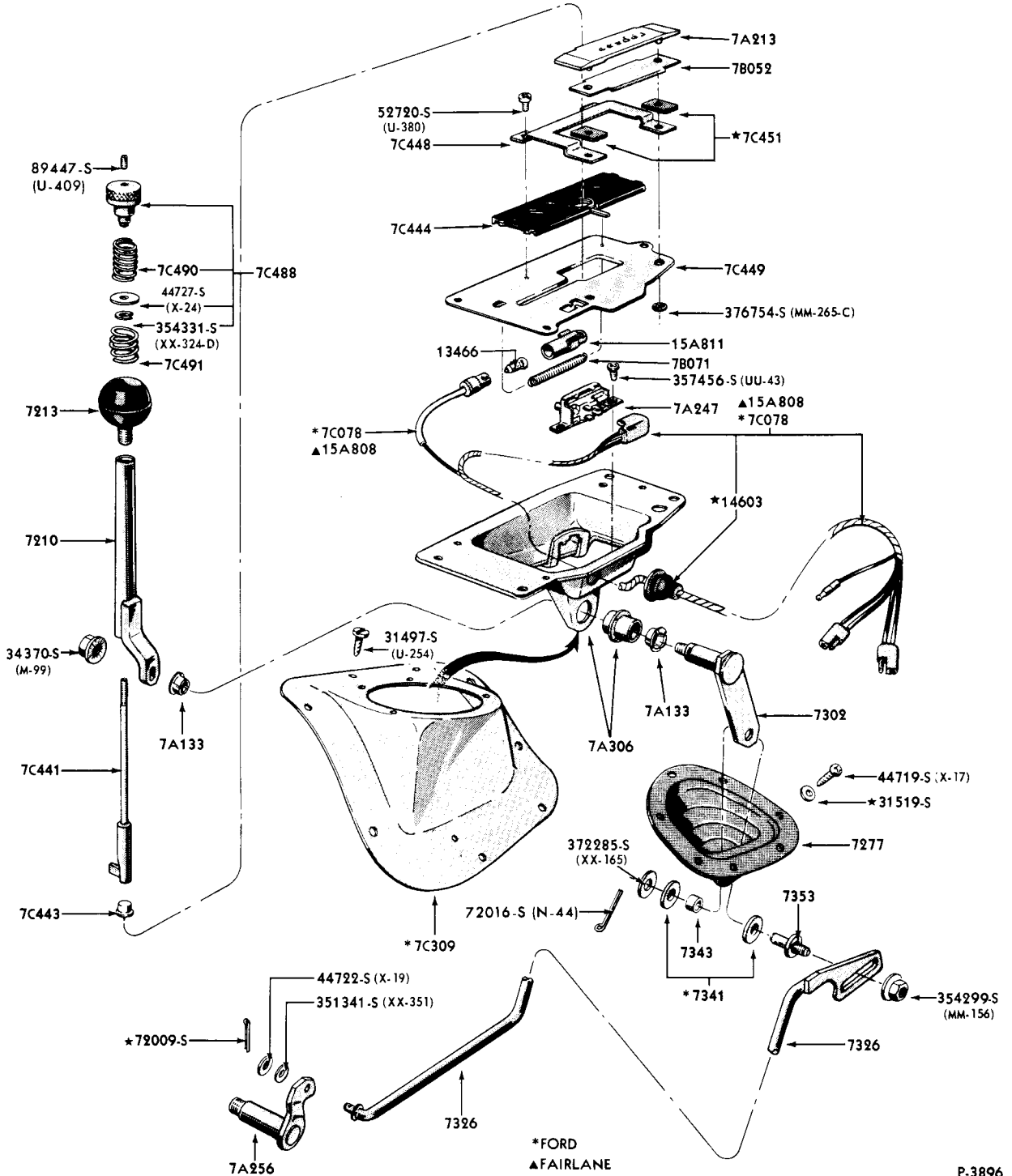


* SUPPLIED ONLY IN 3C525 COVER ASSEMBLY (XX-370) * 371881-S

P.4224



1960/63 STEERING COLUMN & SHIFT CONTROL SELECTOR MECHANISM-FALCON-TYPICAL



SHIFT CONTROL SELECTOR MECHANISM-CONSOLE MOUNTED-TYPICAL
1962/64 FORD

INDEX

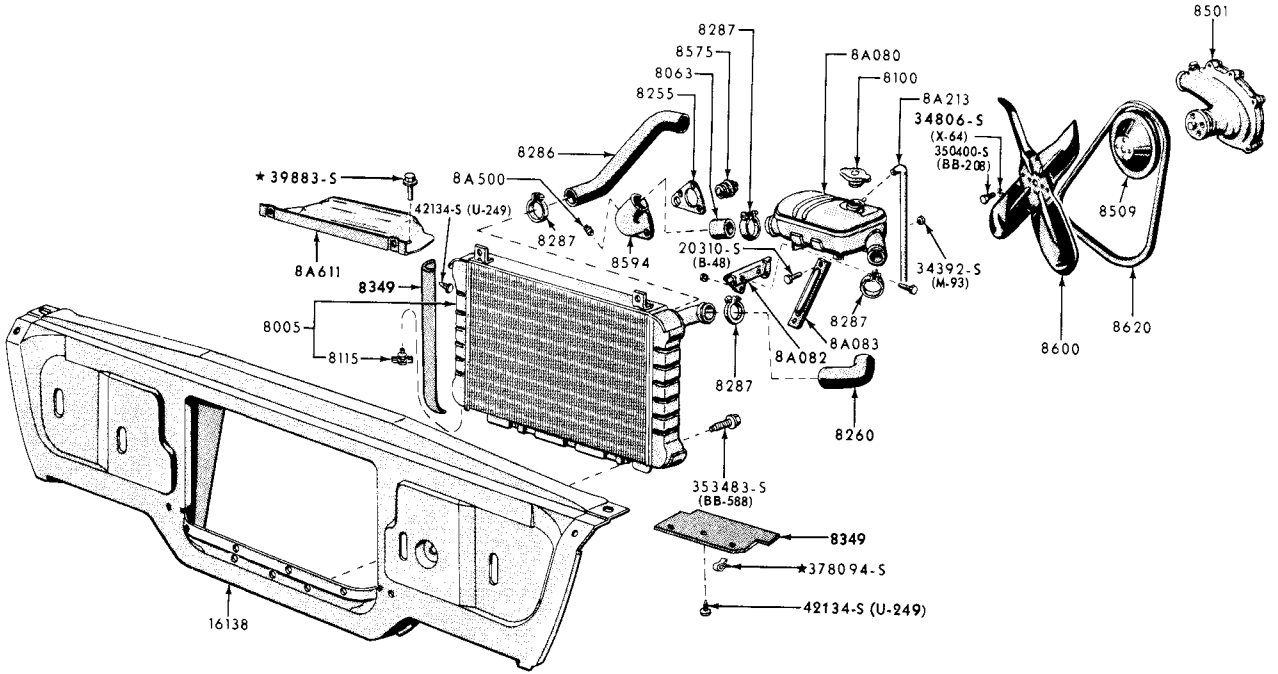
BELOW IS A LIST OF THE MAJOR GROUPS and THE ORDER IN WHICH THEY ARE LISTED IN THIS INDEX.

COOLING SYSTEMS

RADIATOR GRILLE AND RELATED PARTS

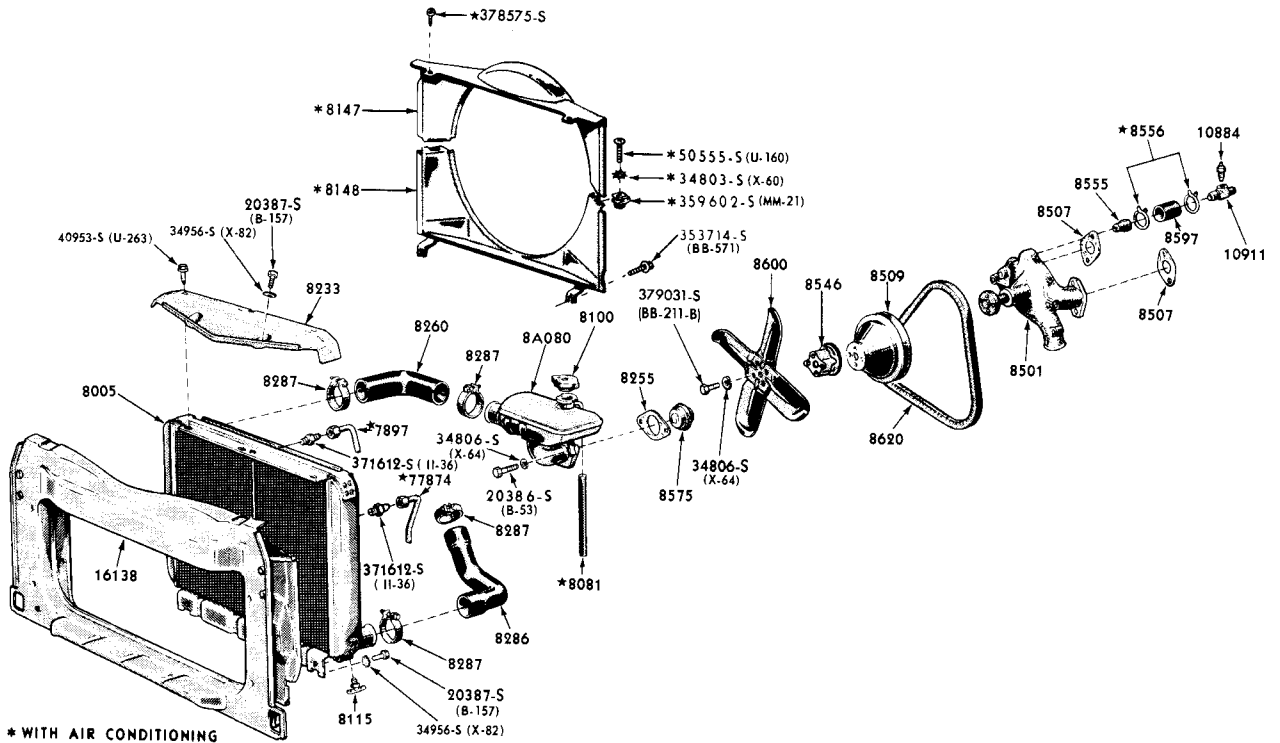
WATER PUMPS

YEAR	TITLE	ILLUS. NO.	SECTION	PAGE
COOLING SYSTEMS				
- A -				
1960/63	Cooling System (Ford-Custom & Galaxie)-6 cyl. 223	P-2993	80	268
1960/64	Cooling System (Ford-Custom & Galaxie)-8 cyl. 292, 352, 390, 406, 427 -Typical	P-2994	80	269
1963	Cooling System (Ford-Custom & Galaxie)-8 cyl. 260, 289	P-4159	80	271
1964	Cooling System (Ford-Custom & Galaxie)-6 cyl. 223 & 8 cyl. 289	P-4159	80	271
- B -				
1962/	Cooling System (Fairlane/Torino)-6 cyl. 170, 200 & 8 cyl. 221, 260, 289	P-3723	80	270
- S -				
1960	Cooling System (Thunderbird)-8 cyl. 352, 430	P-2657	80	268
1961/	Cooling System (Thunderbird) -8 cyl. 390	P-3400	80	271
- X -				
1960/	Cooling System (Falcon)-6 cyl. 144, 170, 200 & 8 cyl. 260, 289	P-3147	80	269
RADIATOR GRILLE and RELATED PARTS				
- A -				
1960	Ford	P-2952-2	82	272
1961/62	Ford	P-3220-2	82	275
1963	Ford	P-3934-2	82	280
1964	Ford	P-4221-2	82	282
- B -				
1962	Fairlane	P-3720-2	82	278
1963/64	Fairlane	P-3926-2	82	281
- S -				
1960	Thunderbird	P-2997-2	82	273
1961/63	Thunderbird	P-3249-2	82	276
1964/	Thunderbird	P-4212-2	82	283
- X -				
1960	Falcon	P-3105-2	82	274
1961	Falcon	P-3283-2	82	277
1962/63	Falcon	P-3648-2	82	279
1964	Falcon	P-4206-2	82	284
WATER PUMPS				
6 CYLINDER ENGINES				
1960/64	Water Pump (6 cyl. 223)-typical	P-2230	85	285
1960/	Water Pump (6 cyl. 144, 170, 200)	P-2962	85	285
8 CYLINDER ENGINES				
1960/62	Water Pump (8 cyl. 292)-typical	P-1611	85	286
1960	Water Pump (8 cyl. 430)	P-2833	85	286
1960/	Water Pump (8 cyl. 352, 390, 406, 427)	P-2491	85	287
1962/	Water Pump without cover (8 cyl. 221, 260, 289)	P-3772	85	287



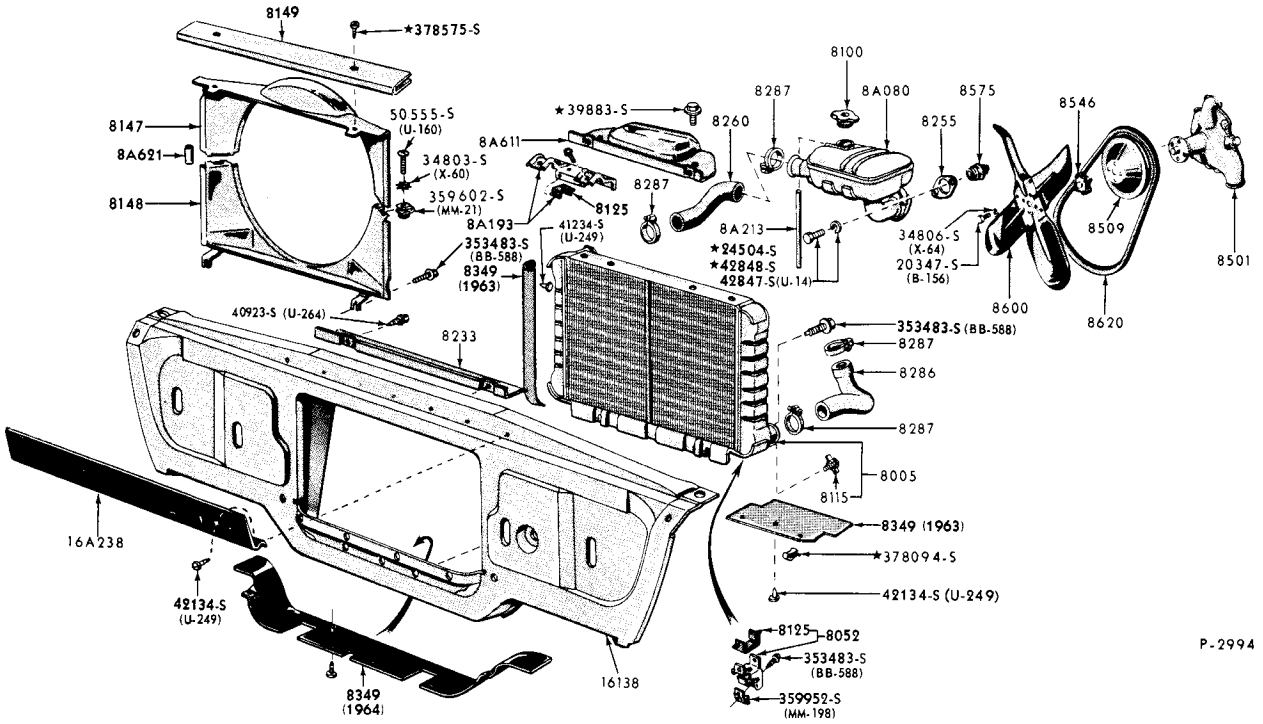
P-2993

1960/63 COOLING SYSTEM (FORD-CUSTOM & GALAXIE) -6 CYL, 223



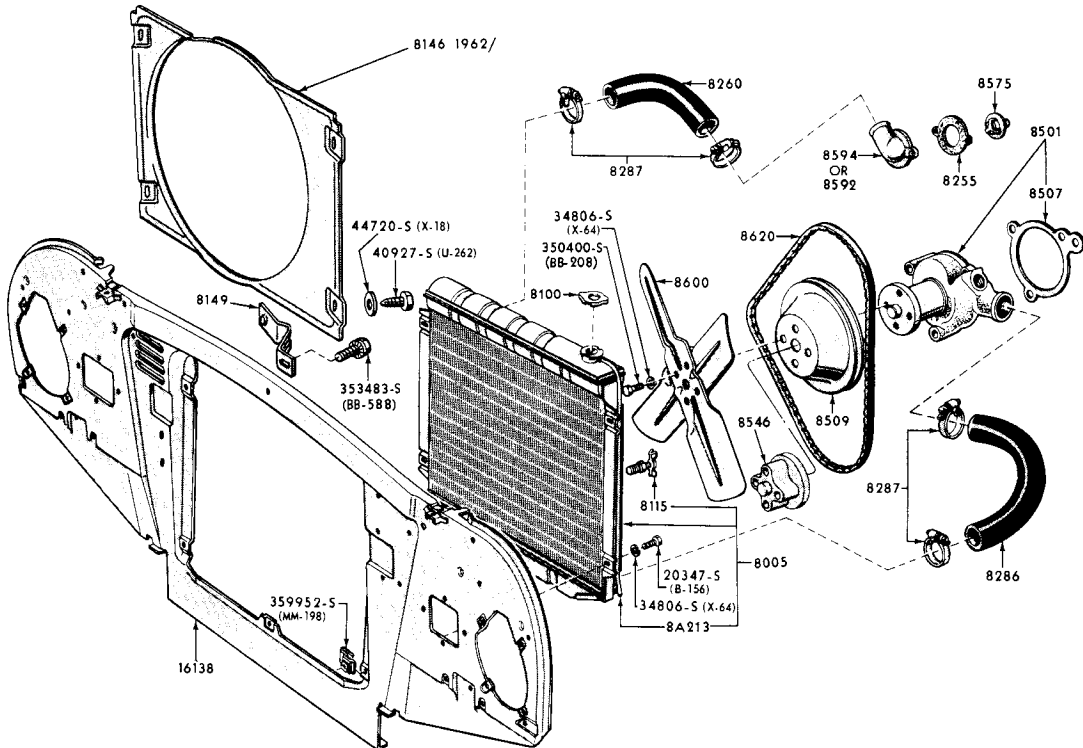
P-2657

1960 COOLING SYSTEM (THUNDERBIRD)-8 CYL, 352, 430



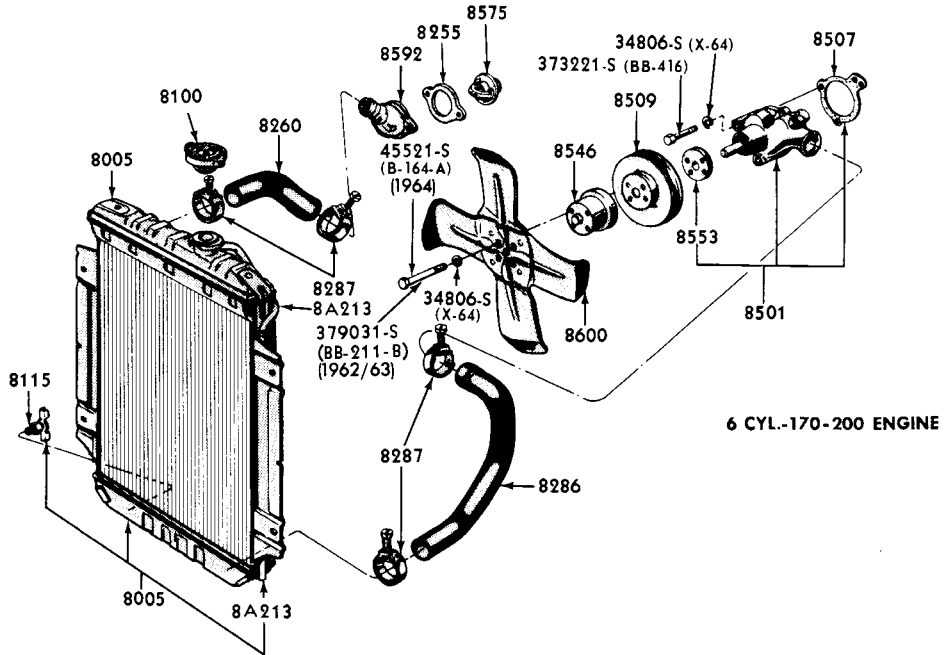
P-2994

1960/64 COOLING SYSTEM (FORD-CUSTOM & GALAXIE)-8 CYL. 292, 352, 390, 406, 427-TYPICAL

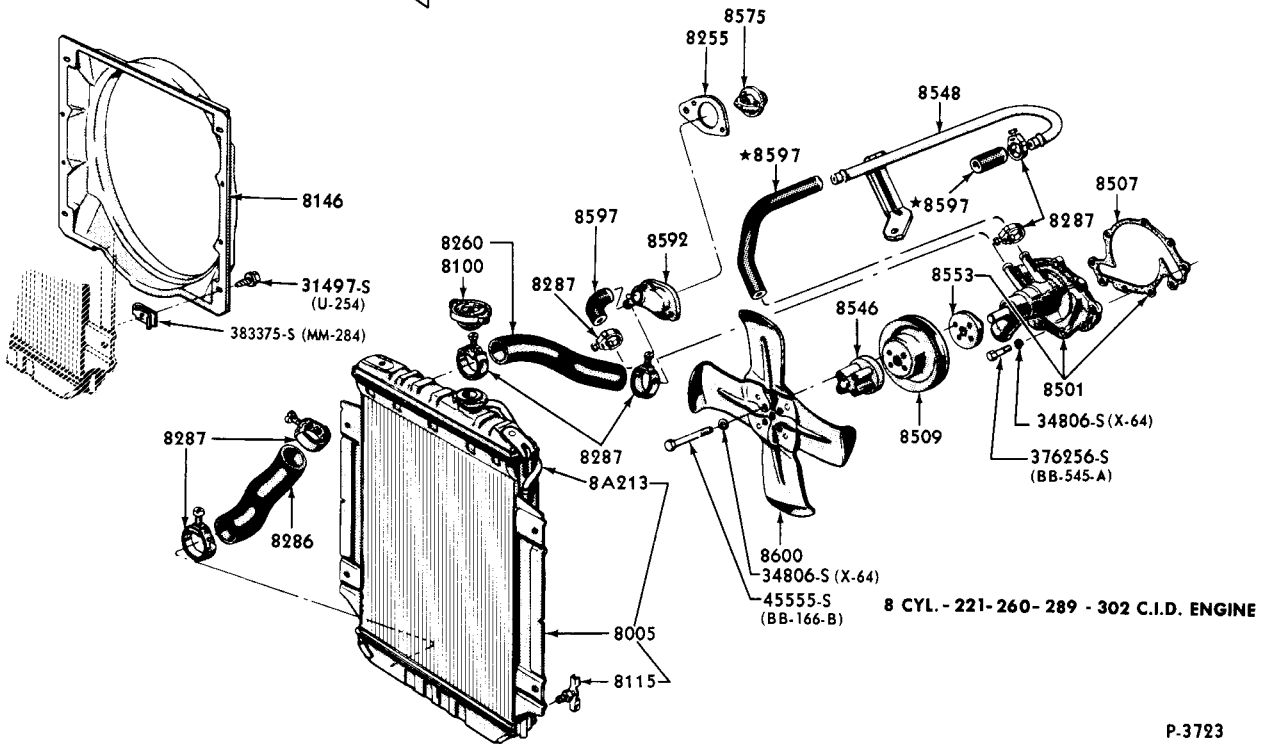


P-3147

1960/ COOLING SYSTEM (FALCON)-6 CYL. 144, 170, 200 & 8 CYL. 260, 289

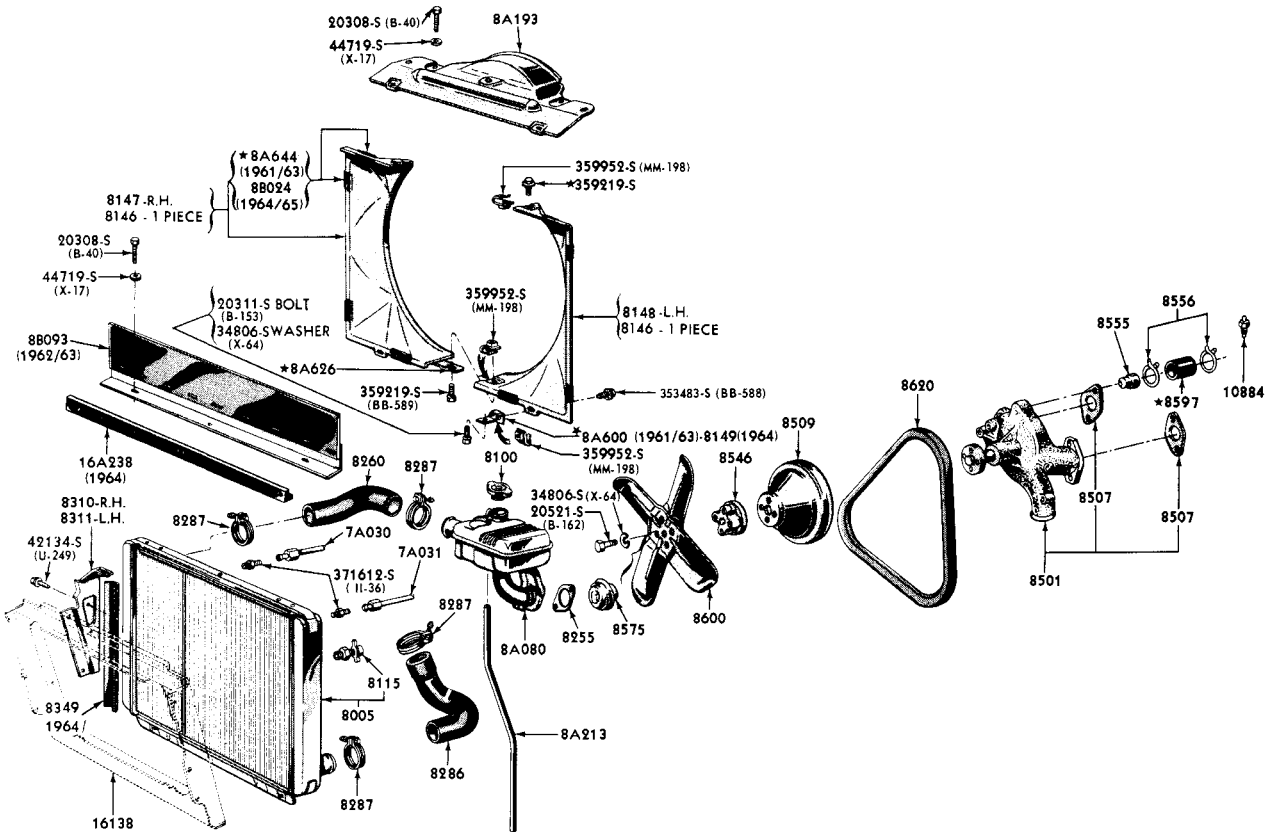


6 CYL.-170-200 ENGINE



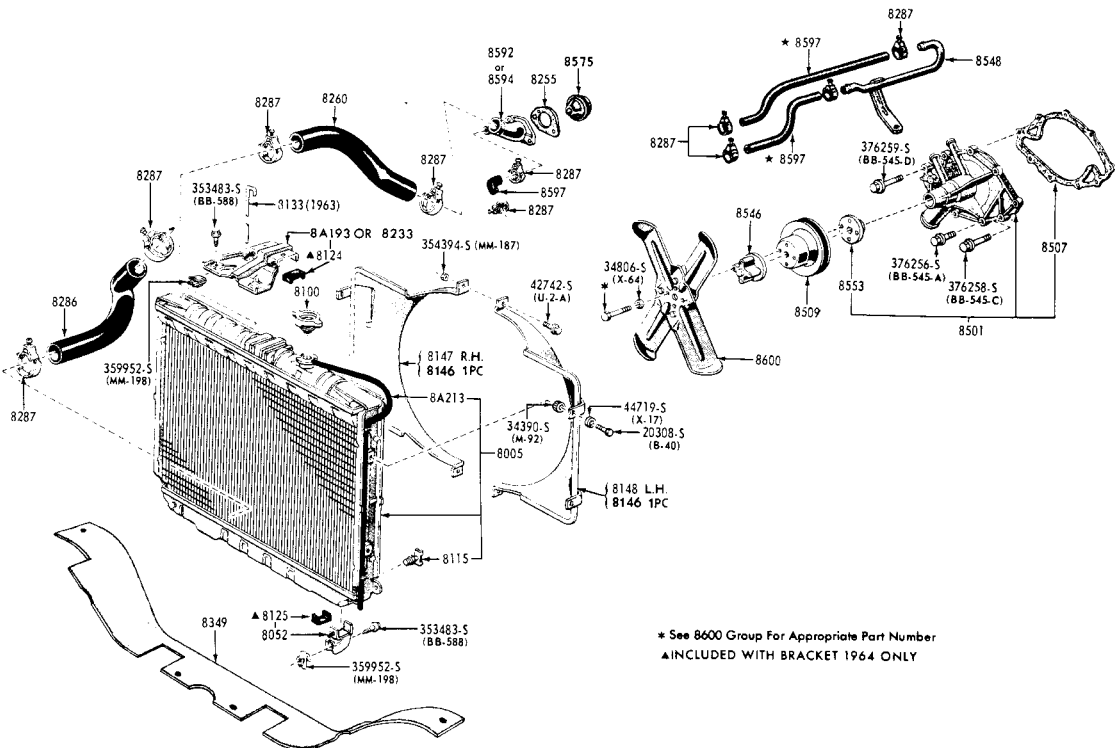
8 CYL. - 221-260-289 - 302 C.I.D. ENGINE

P-3723



1961/ COOLING SYSTEM (THUNDERBIRD)-8 CYL. 390

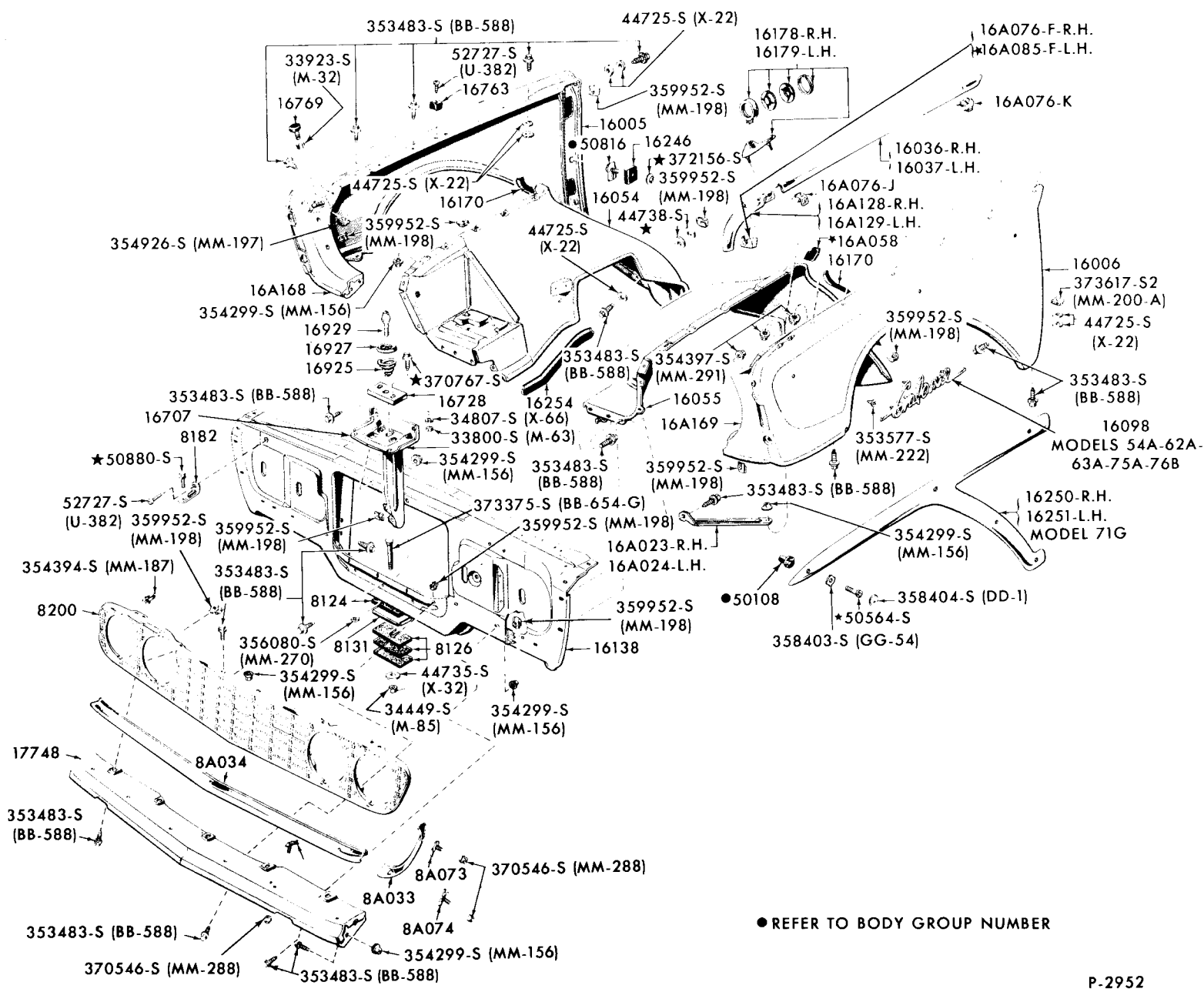
P-3400



1963/64 COOLING SYSTEM (FORD-CUSTOM & GALAXIE)-6 CYL. 223 & 8 CYL. 260, 289

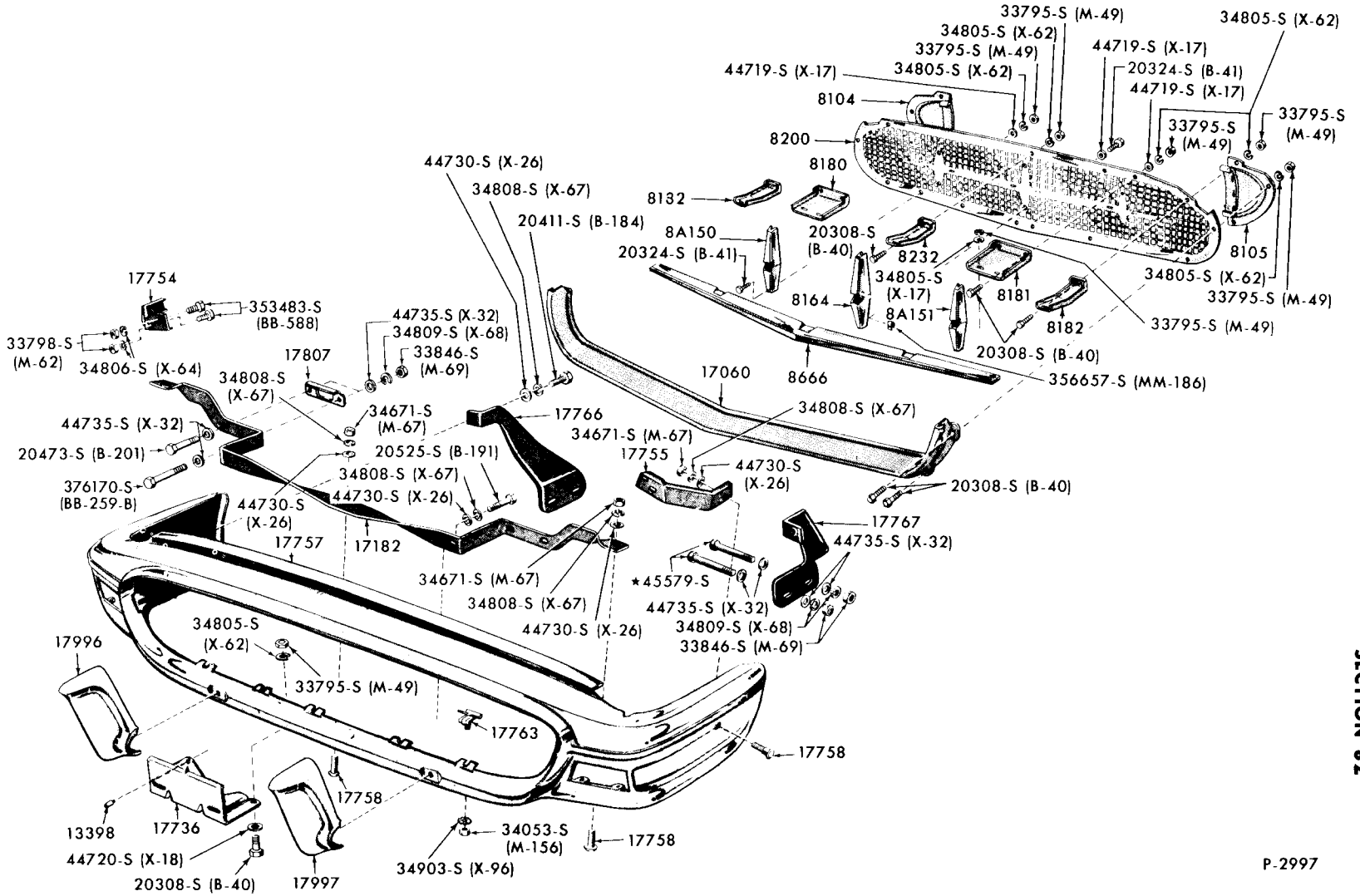
P-4159

RADIATOR GRILLE, FENDERS, MOUNDINGS and RELATED PARTS
(1960 FORD)



● REFER TO BODY GROUP NUMBER

RADIATOR GRILLE, FRONT BUMPER and RELATED PARTS
(1960 THUNDERBIRD)

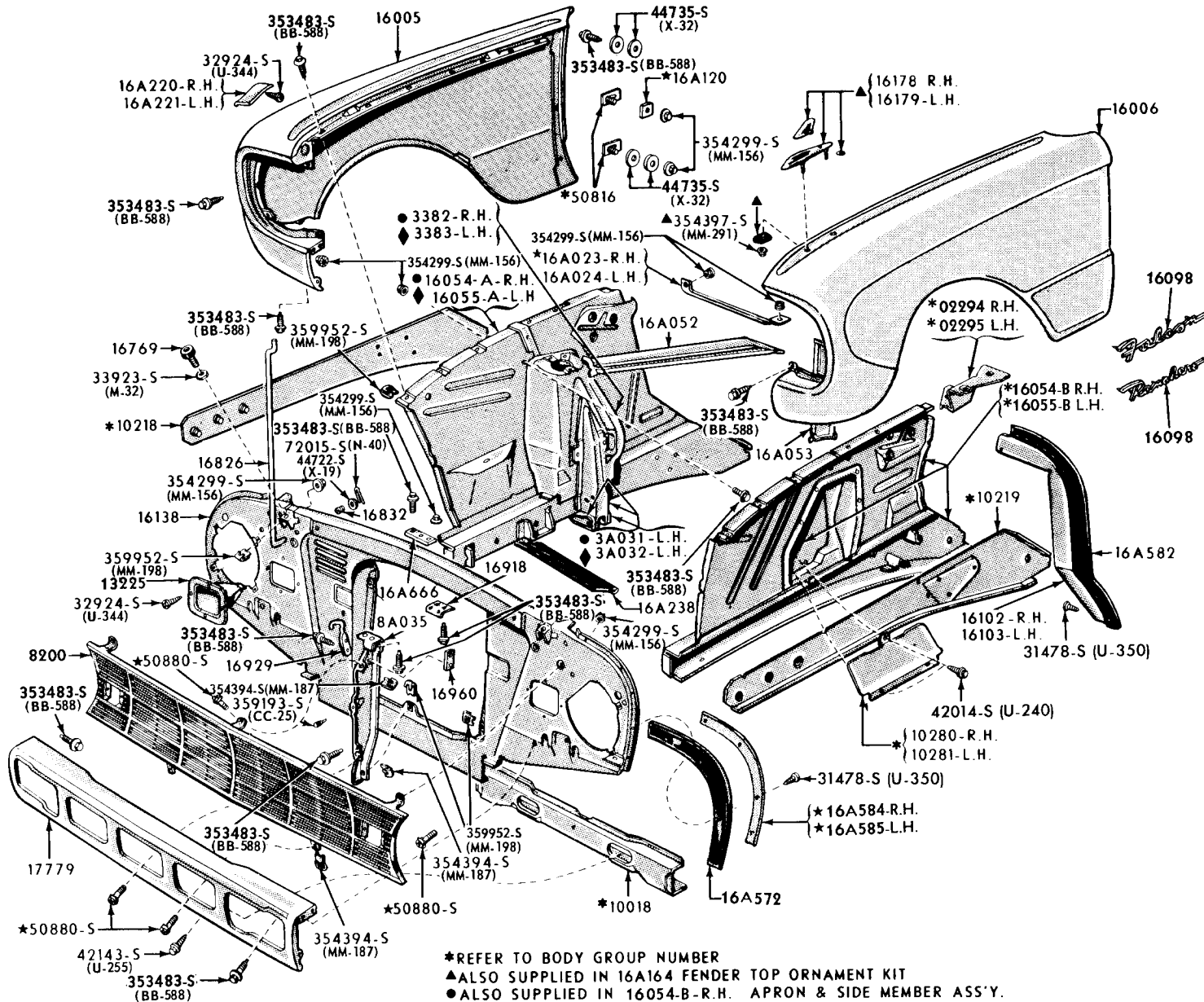


FORD CAR PARTS

ILLUSTRATION SECTION 82

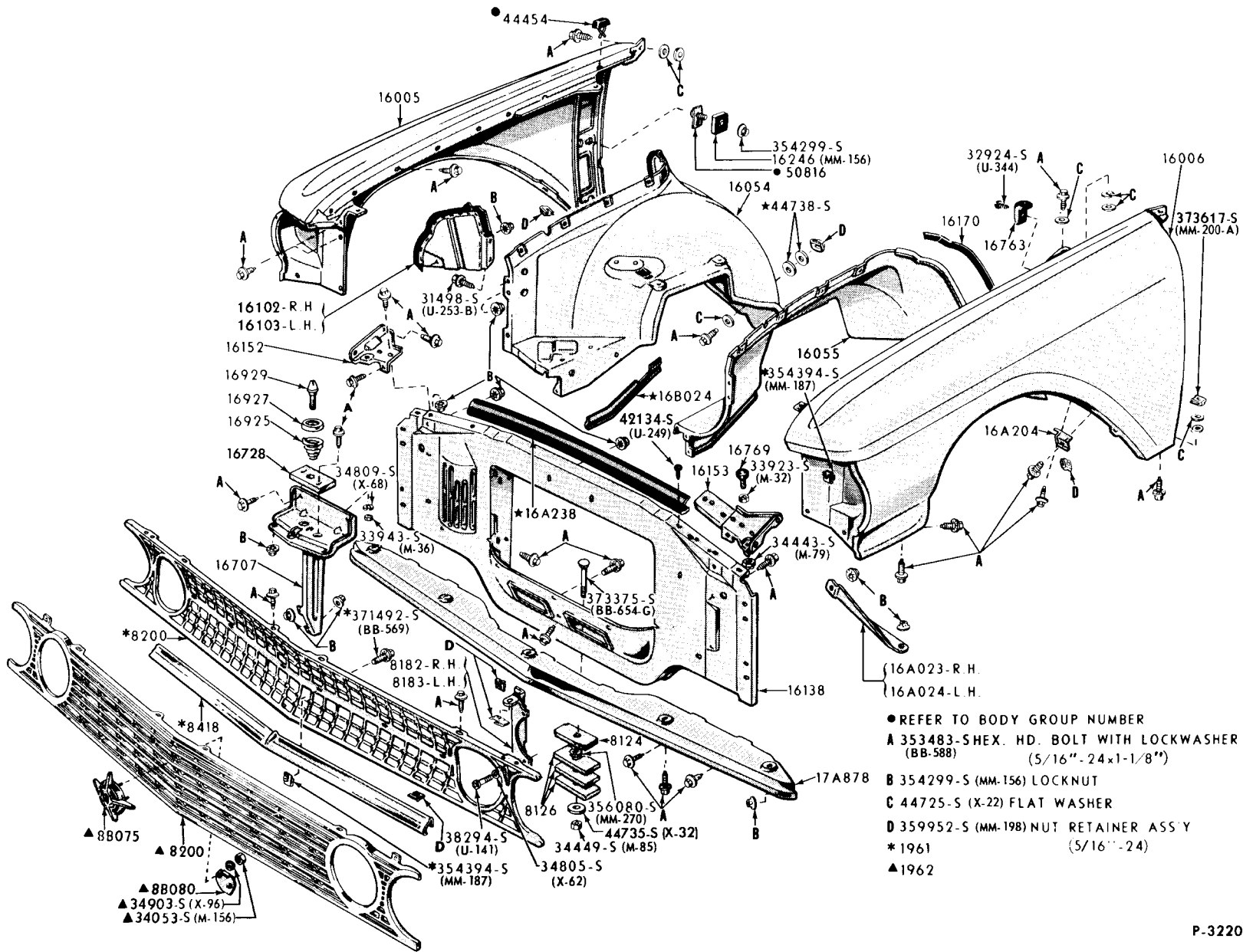
P-2997

RADIATOR GRILLE, FENDERS and RELATED PARTS
(1960 FALCON)



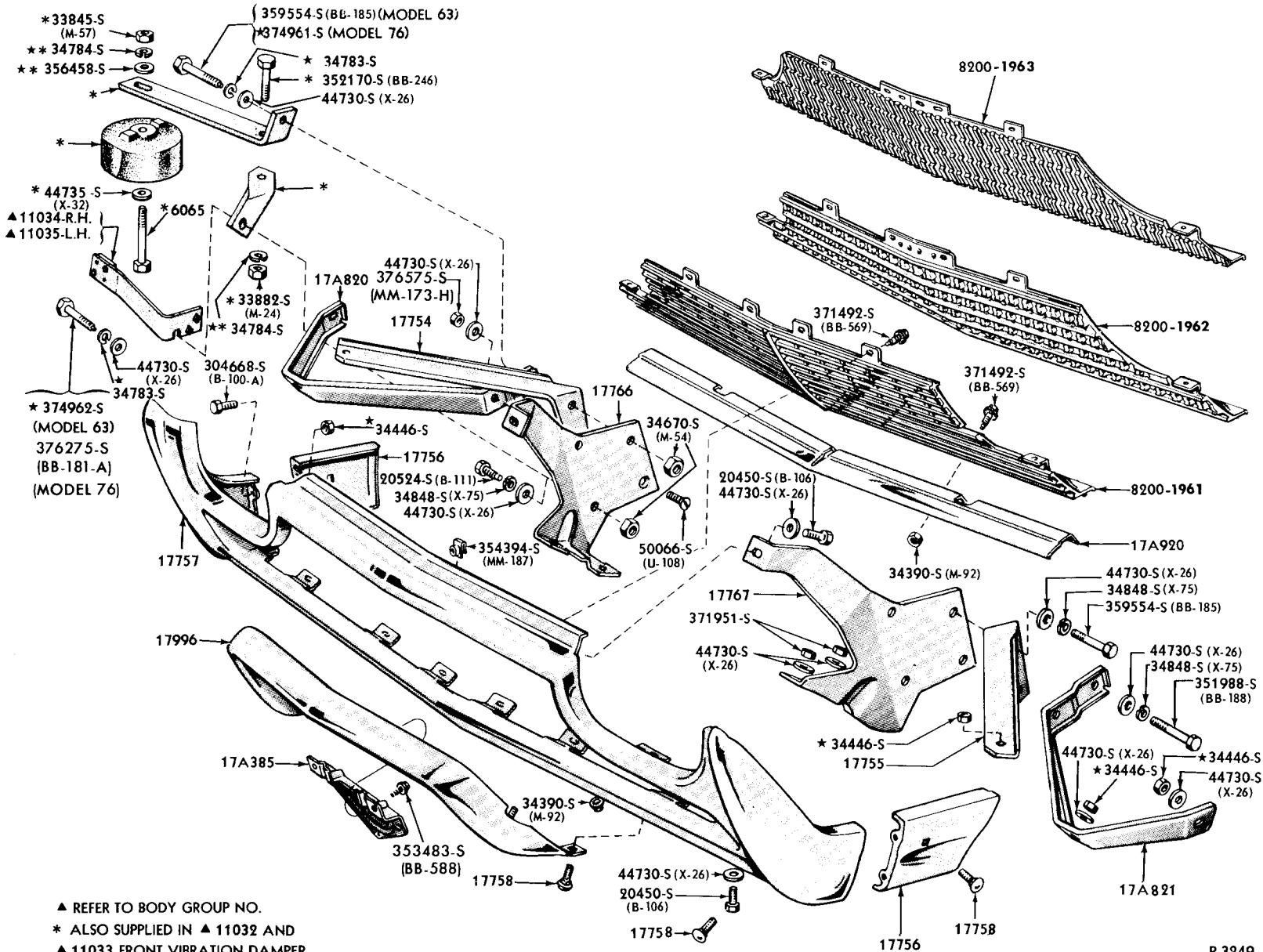
*REFER TO BODY GROUP NUMBER
 ▲ALSO SUPPLIED IN 16A164 FENDER TOP ORNAMENT KIT
 ◆ALSO SUPPLIED IN 16054-B-R.H. APRON & SIDE MEMBER ASS'Y.
 ◆ALSO SUPPLIED IN 16055-B-L.H. APRON & SIDE MEMBER ASS'Y.

RADIATOR GRILLE, FENDERS and RELATED PARTS
(1961/62 FORD)



- REFER TO BODY GROUP NUMBER
- A 353483-SHEX. HD. BOLT WITH LOCKWASHER (BB-588) (5/16"-24x1-1/8")
- B 354299-S (MM-156) LOCKNUT
- C 44725-S (X-22) FLAT WASHER
- D 359952-S (MM-198) NUT RETAINER ASSY
- * 1961 (5/16"-24)
- ▲ 1962

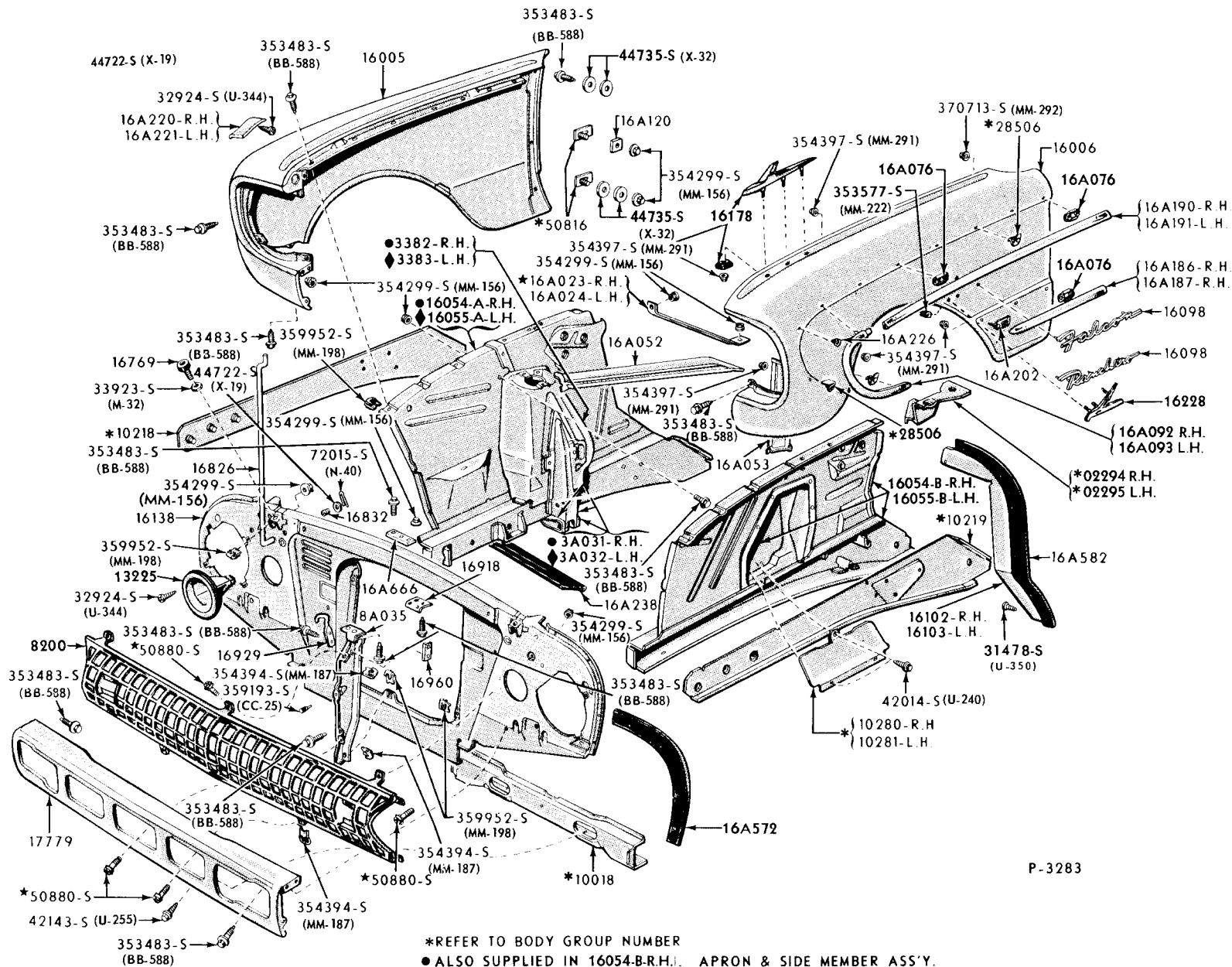
FORD CAR PARTS
ILLUSTRATION SECTION 82



RADIATOR GRILLE, FRONT BUMPER and RELATED PARTS
(1961/63 THUNDERBOLT)

▲ REFER TO BODY GROUP NO.
 * ALSO SUPPLIED IN ▲ 11032 AND
 ▲ 11033 FRONT VIBRATION DAMPER
 AND ARM ASS'YS.

RADIATOR GRILLE, FENDERS, MOLDINGS and RELATED PARTS
(1961 FALCON)



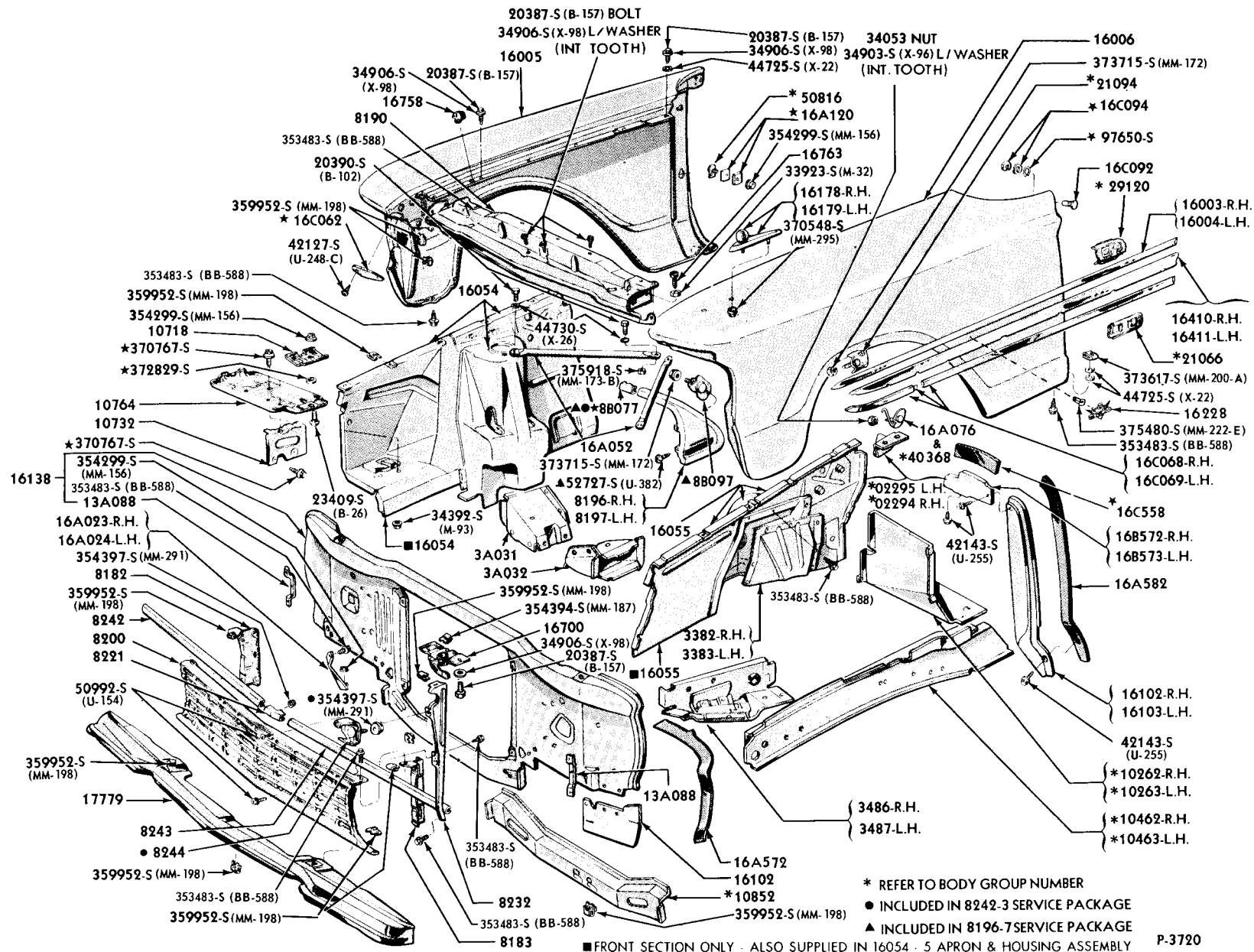
*REFER TO BODY GROUP NUMBER

● ALSO SUPPLIED IN 16054-B-R.H.I. APRON & SIDE MEMBER ASS'Y.

◆ ALSO SUPPLIED IN 16055-B-L.H.I. APRON & SIDE MEMBER ASS'Y.

FORD CAR PARTS
ILLUSTRATION 82

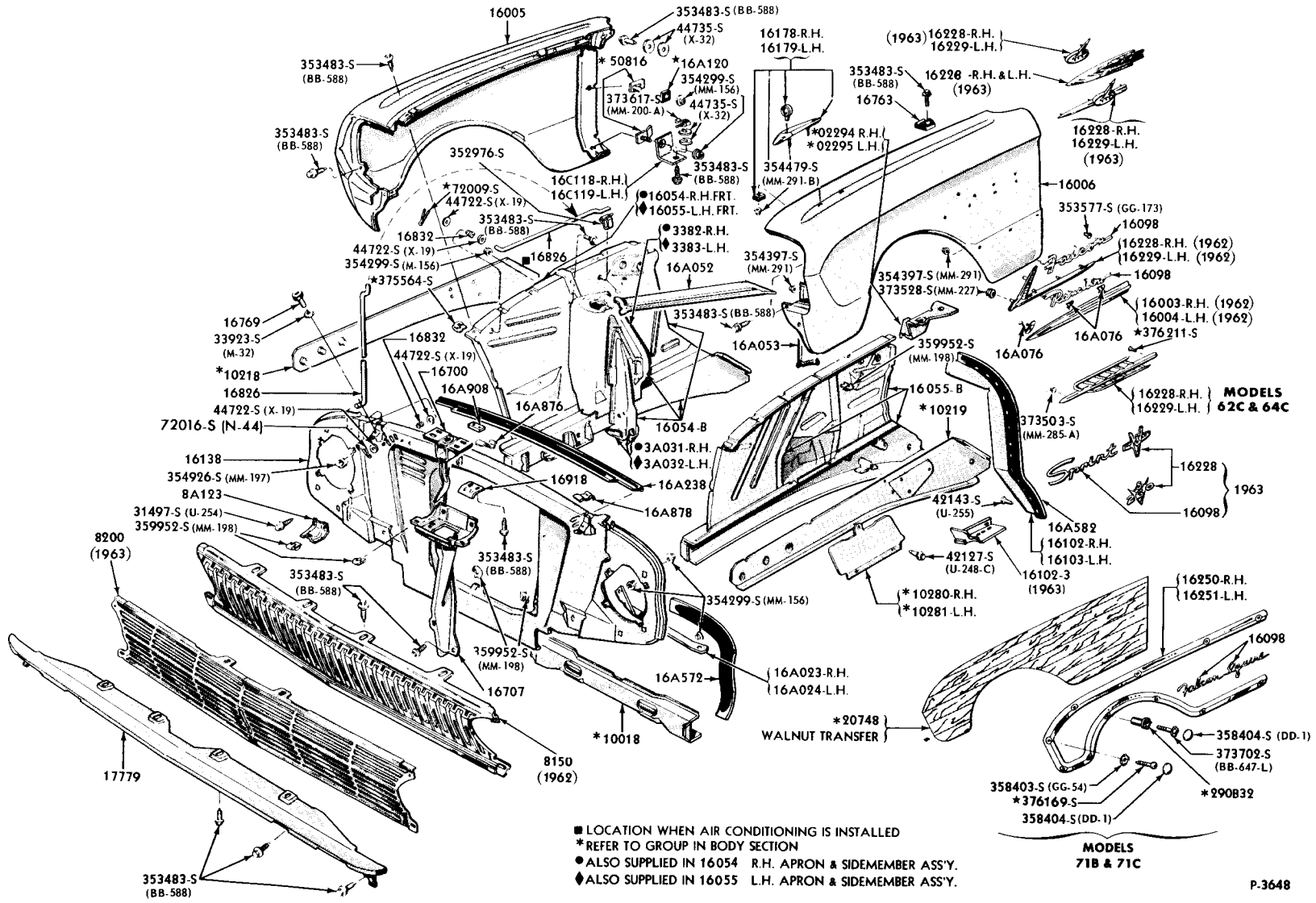
RADIATOR GRILLE, FENDERS, MOUNTINGS and RELATED PARTS (1962 FAIRLANE)



■ FRONT SECTION ONLY - ALSO SUPPLIED IN 16054 - 5 APRON & HOUSING ASSEMBLY

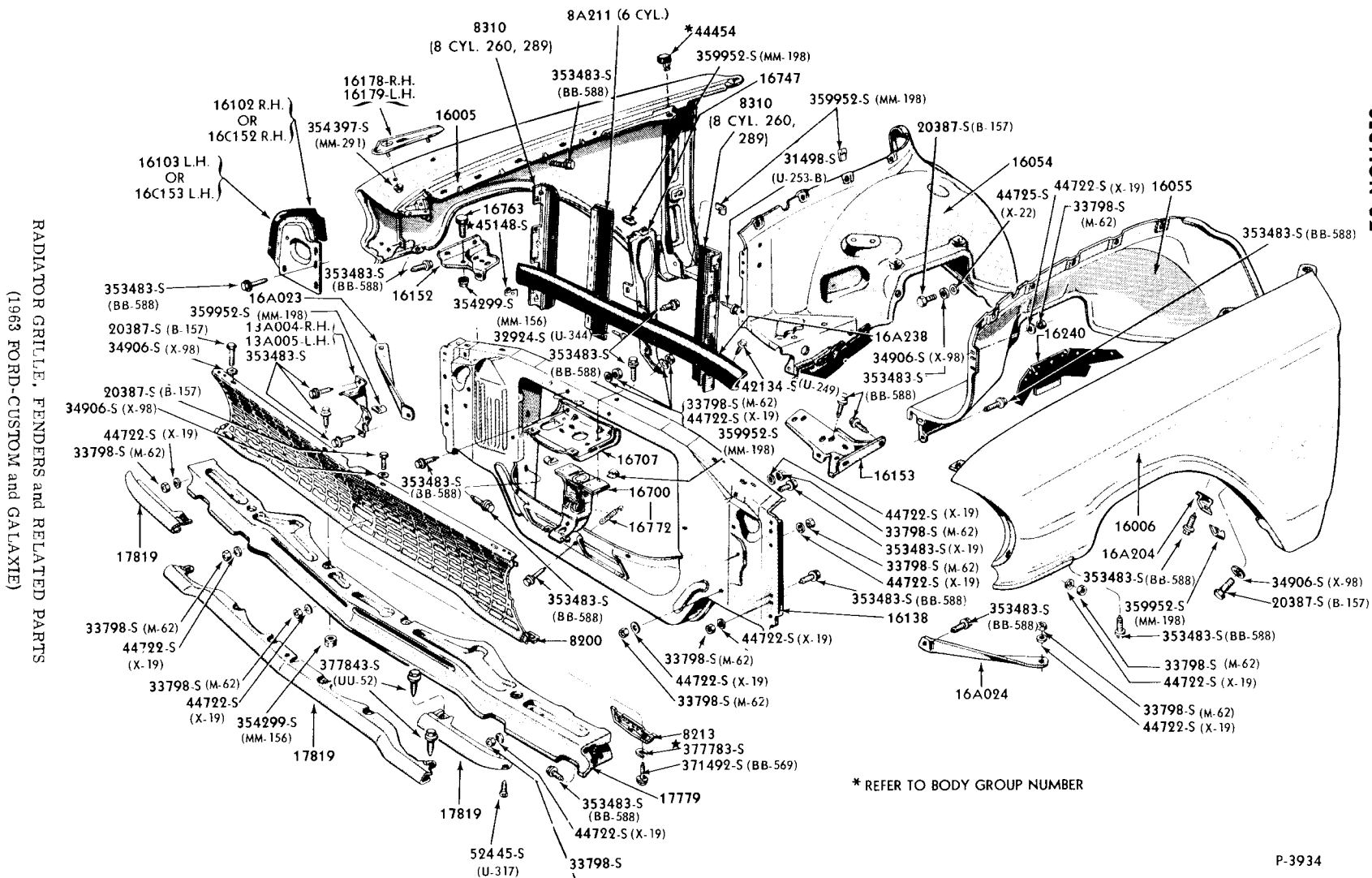
- * REFER TO BODY GROUP NUMBER
- INCLUDED IN 8242-3 SERVICE PACKAGE
- ▲ INCLUDED IN 8196-7 SERVICE PACKAGE

RADIATOR GRILLE, FENDERS, MOUNTINGS and RELATED PARTS
(1962/63 FALCON)



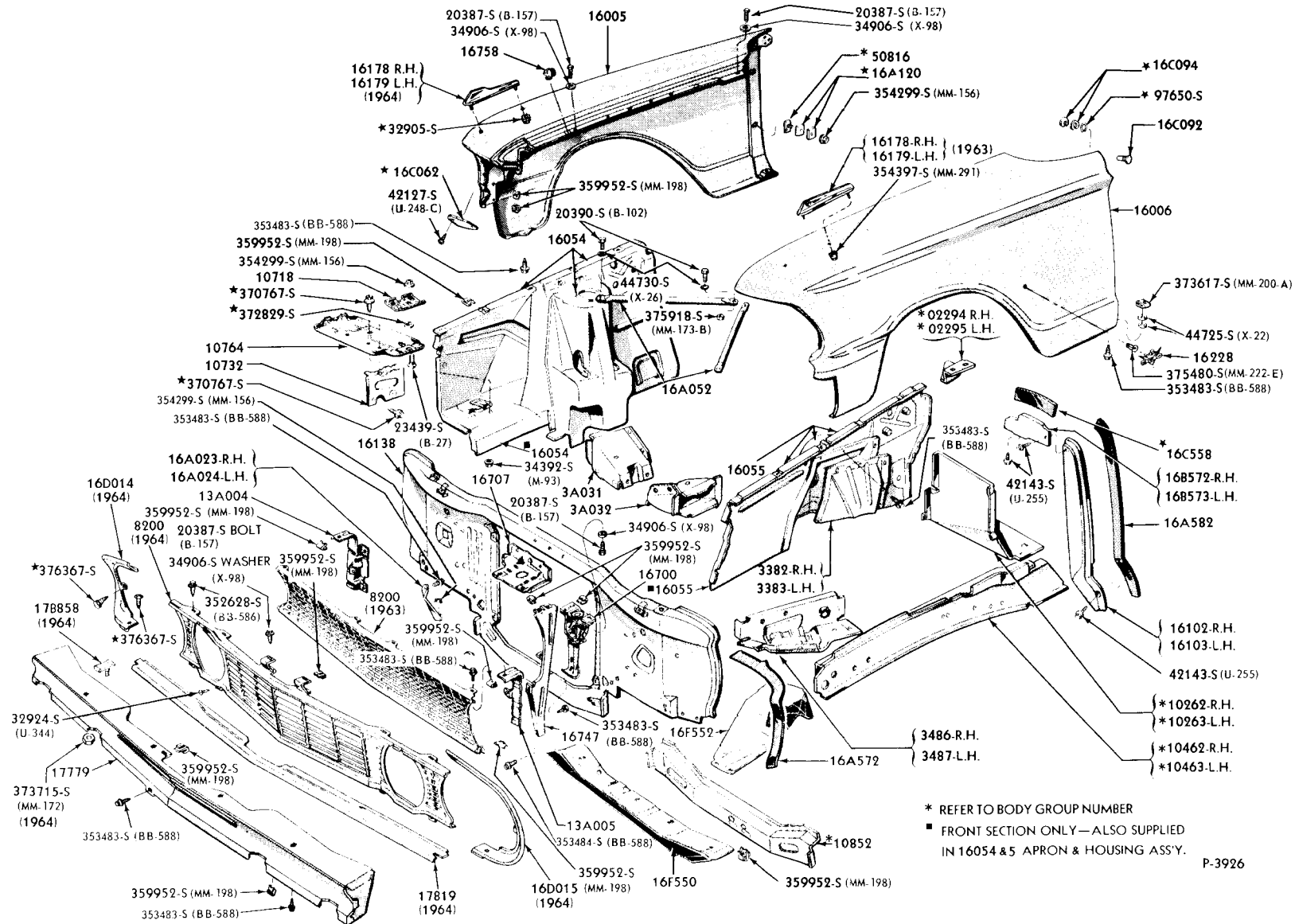
FORD CAR PARTS
ILLUSTRATION SECTION 82

P-3648



RADIATOR GRILLE, FENDERS and RELATED PARTS (1968 FORD-CUSTOM and GALAXIE)

RADIATOR GRILLE, FENDERS and RELATED PARTS
(1963/64 FAIRLANE)

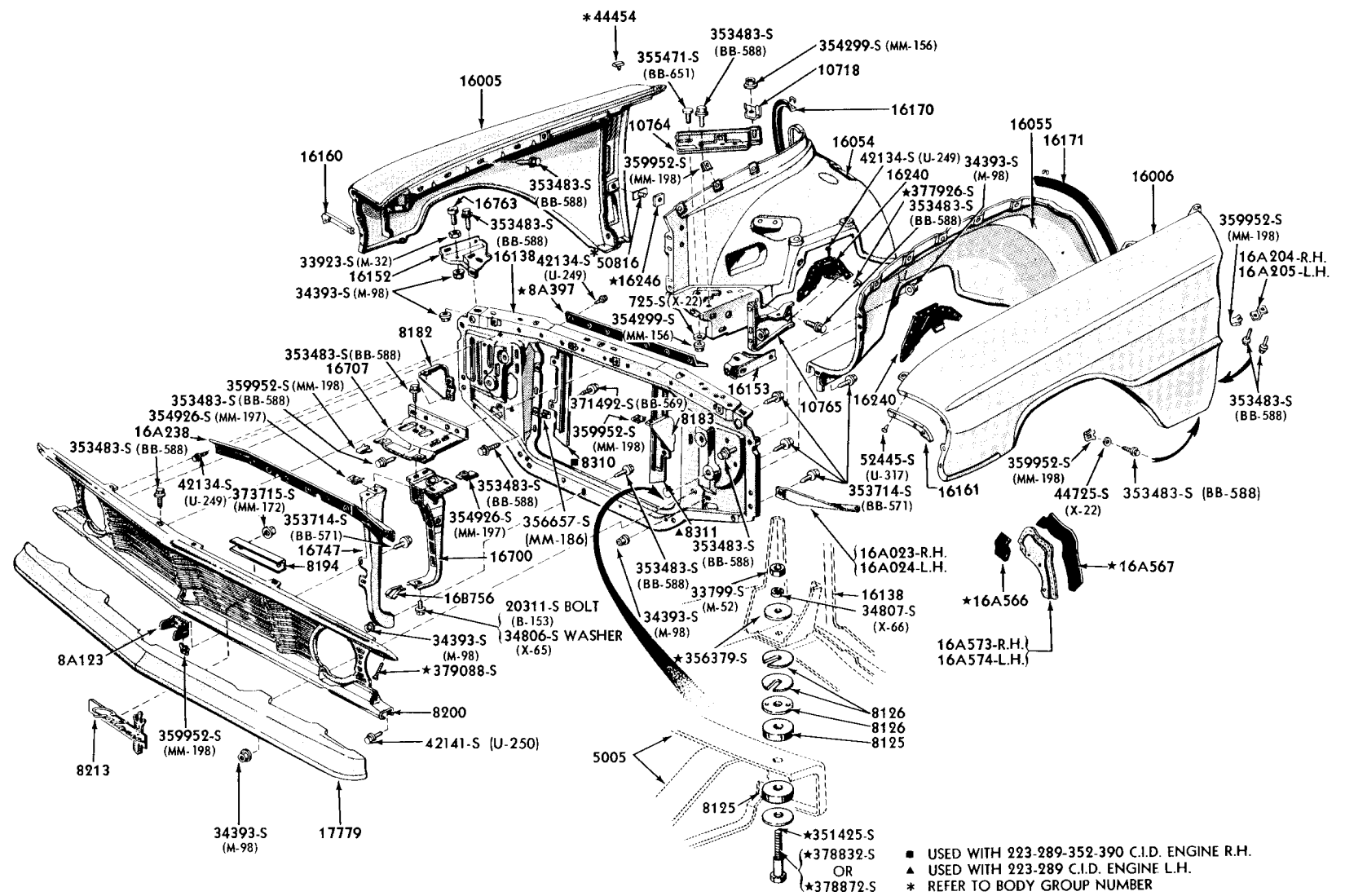


* REFER TO BODY GROUP NUMBER
 ■ FRONT SECTION ONLY—ALSO SUPPLIED
 IN 16054 & 5 APRON & HOUSING ASSY.

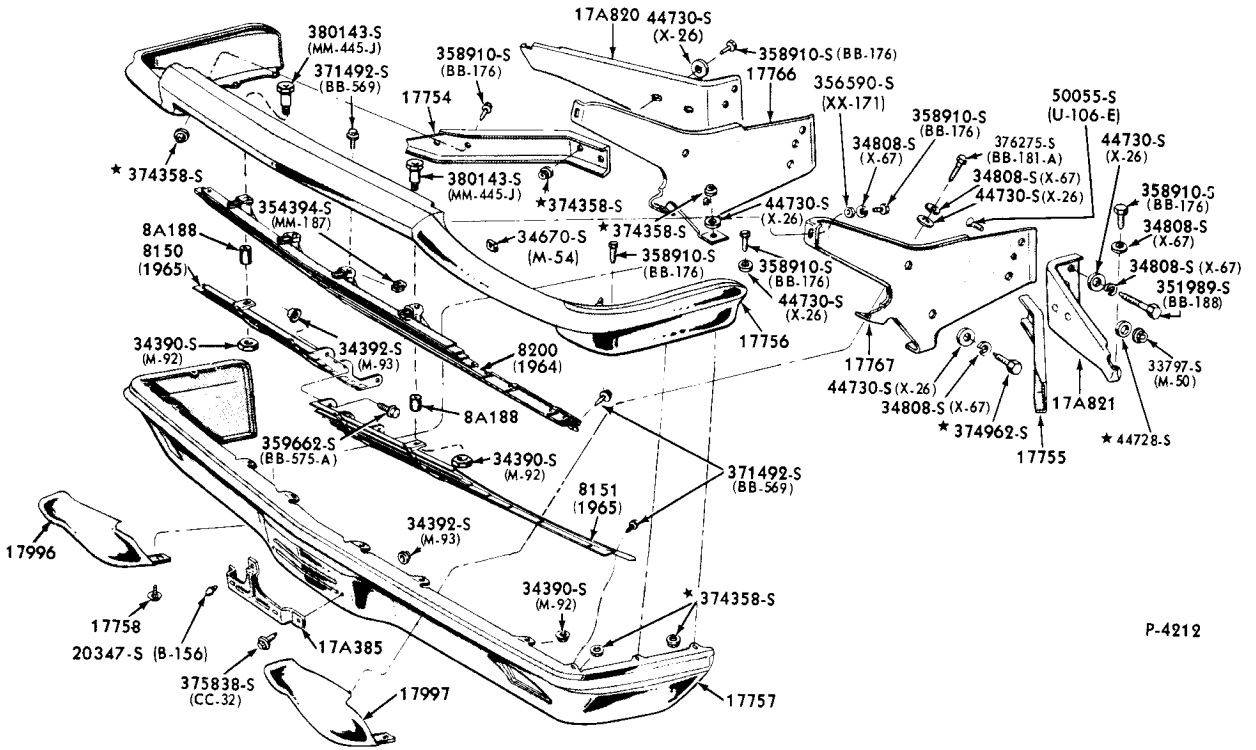
P-3926

FORD CAR PARTS
 ILLUSTRATION SECTION 82

RADIATOR GRILLE, FENDERS and RELATED PARTS
 (1964 FORD-CUSTOM and GALAXIE)



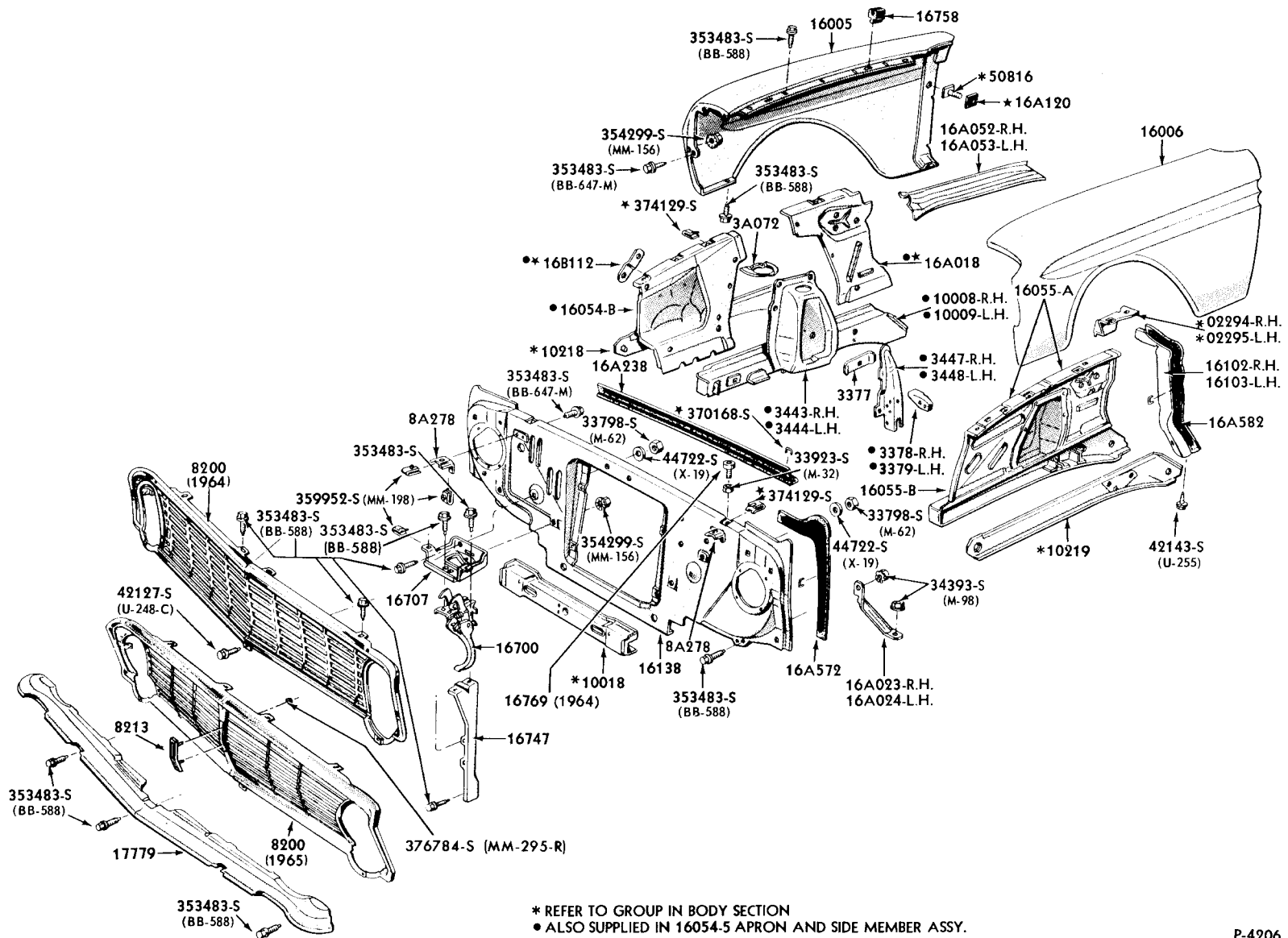
- USED WITH 223-289-352-390 C.I.D. ENGINE R.H.
- ▲ USED WITH 223-289 C.I.D. ENGINE L.H.
- * REFER TO BODY GROUP NUMBER



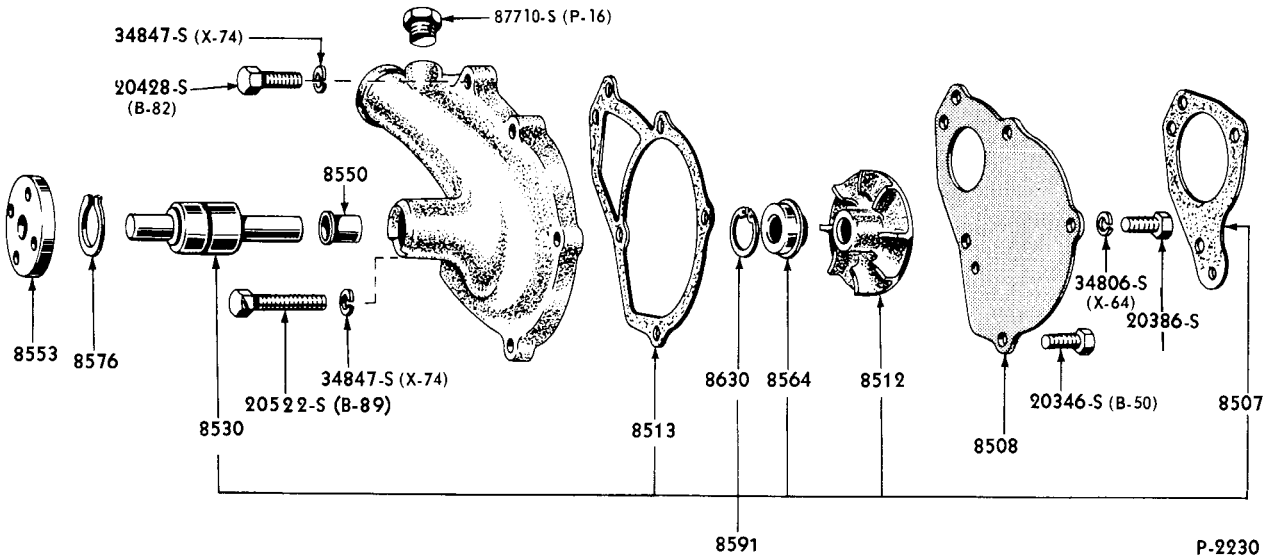
P-4212

RADIATOR GRILLE, FRONT BUMPER and RELATED PARTS
(1964/ THUNDERBIRD)

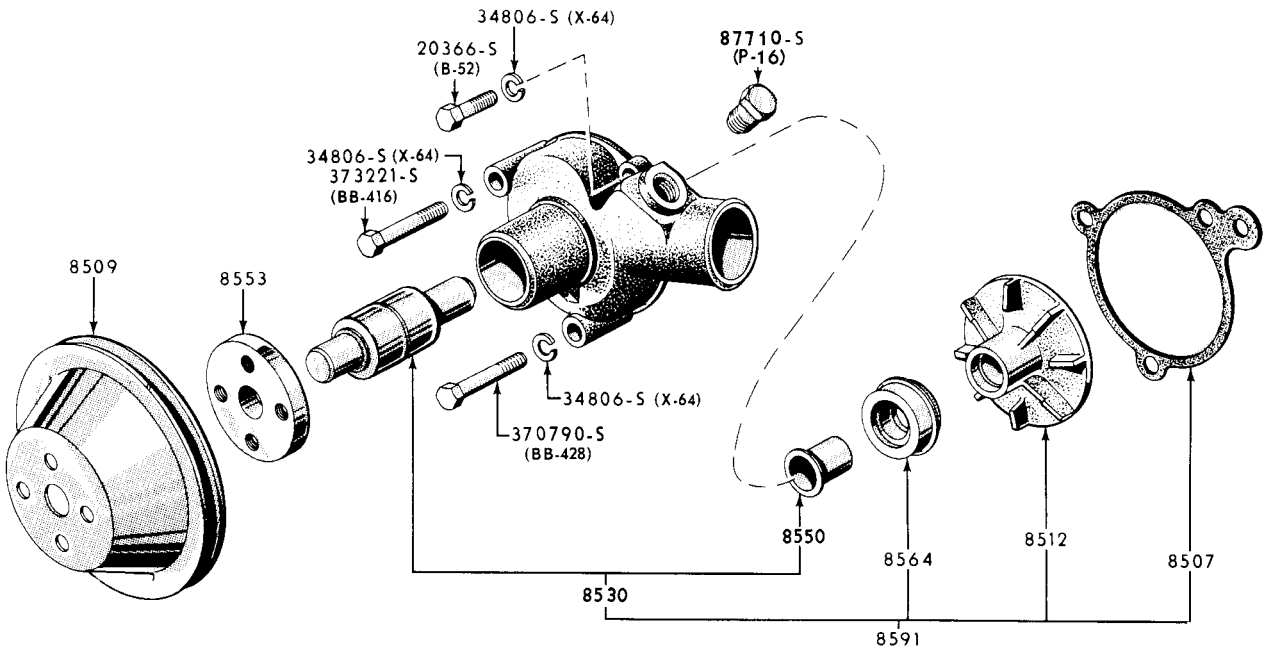
RADIATOR GRILLE, FENDERS and RELATED PARTS
(1964/ FALCON)



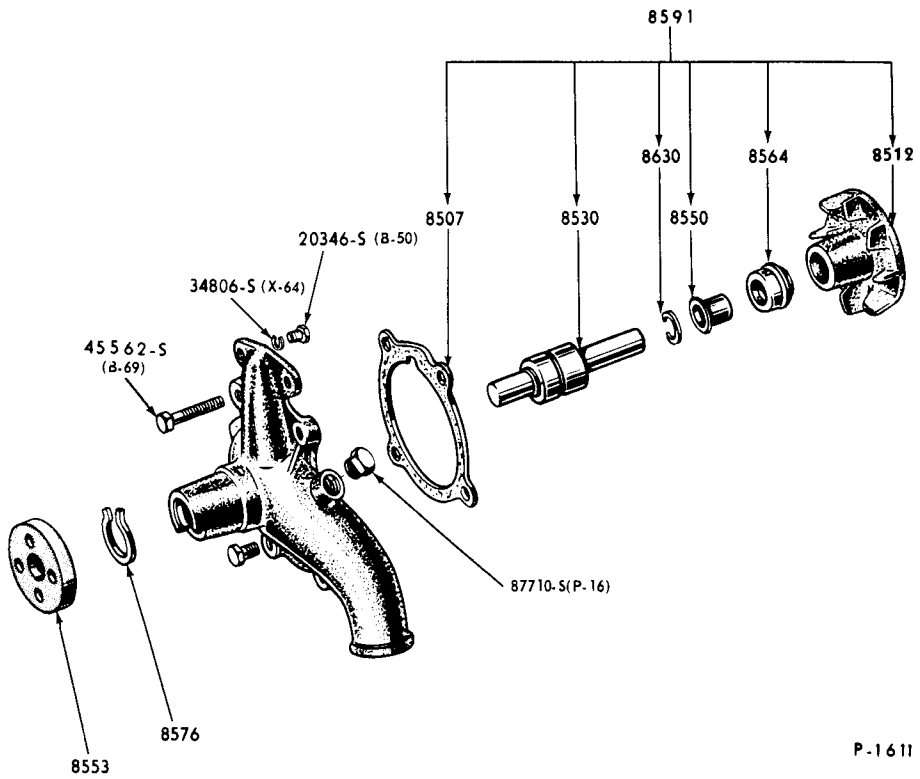
* REFER TO GROUP IN BODY SECTION
 • ALSO SUPPLIED IN 16054-5 APRON AND SIDE MEMBER ASSY.



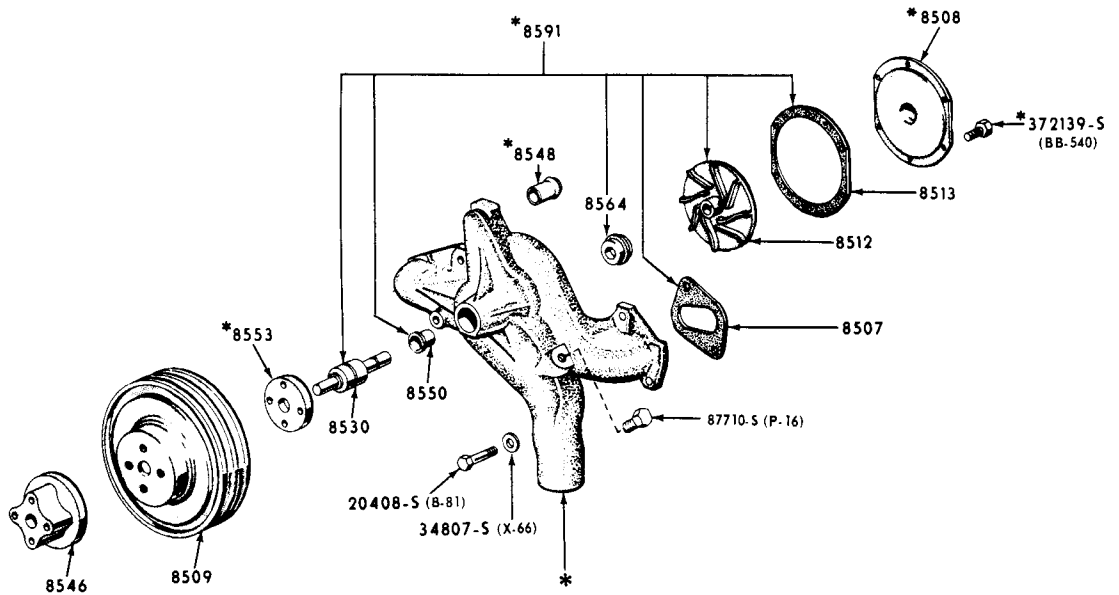
1960/64 WATER PUMP (6 CYLINDER 223 ENGINE)-TYPICAL



1960/ WATER PUMP (6 CYLINDER 144, 170, 200 ENGINES)

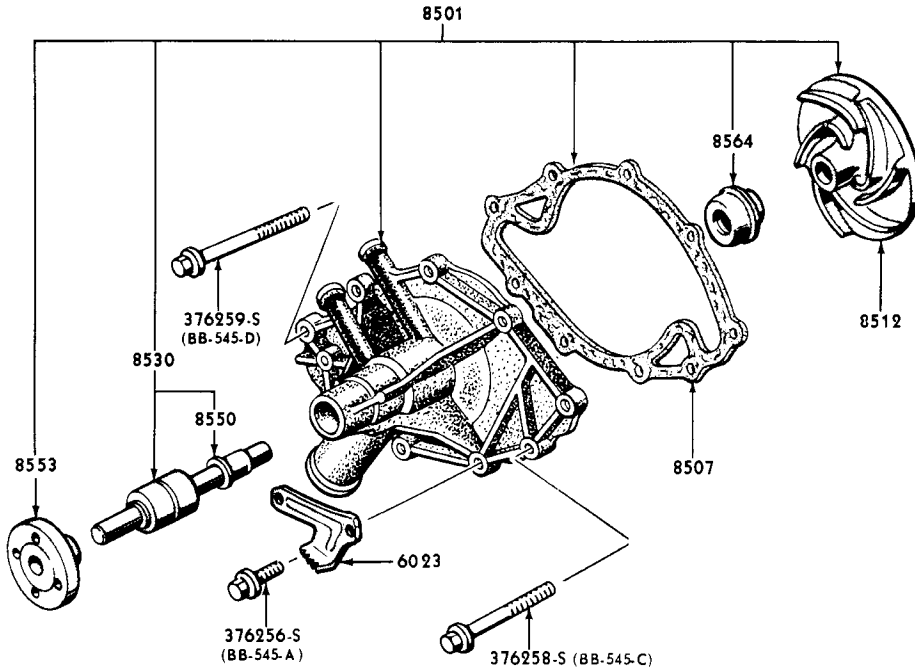


1960/62 WATER PUMP (8 CYL, 292 ENGINE)-TYPICAL



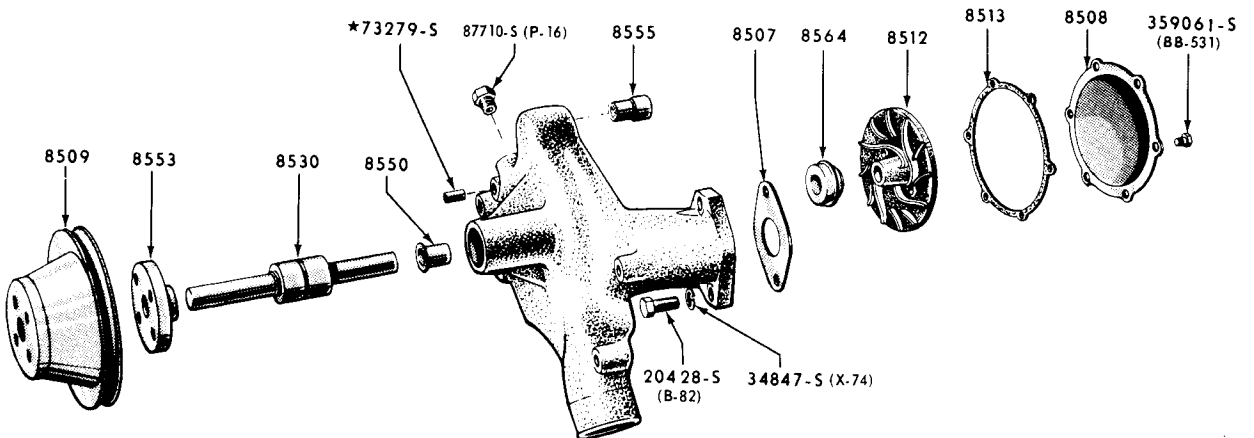
*ALSO SUPPLIED IN 8501 PUMP ASSEMBLY

1960 WATER PUMP (8 CYL, 430 ENGINE)



P-3772

1962/ WATER PUMP WITHOUT COVER (8 CYLINDER 221, 260, 289 ENGINES)



P-2491

1960/ WATER PUMP (8 CYLINDER 352, 390, 406, 427 ENGINES)

INDEX

INCLUDED IN THIS INDEX ARE THE FOLLOWING MAJOR GROUPS IN THE ORDER SHOWN BELOW:

FUEL FILTER
FUEL SYSTEM
FUEL PUMP

FUEL and VACUUM PUMP
MANIFOLD

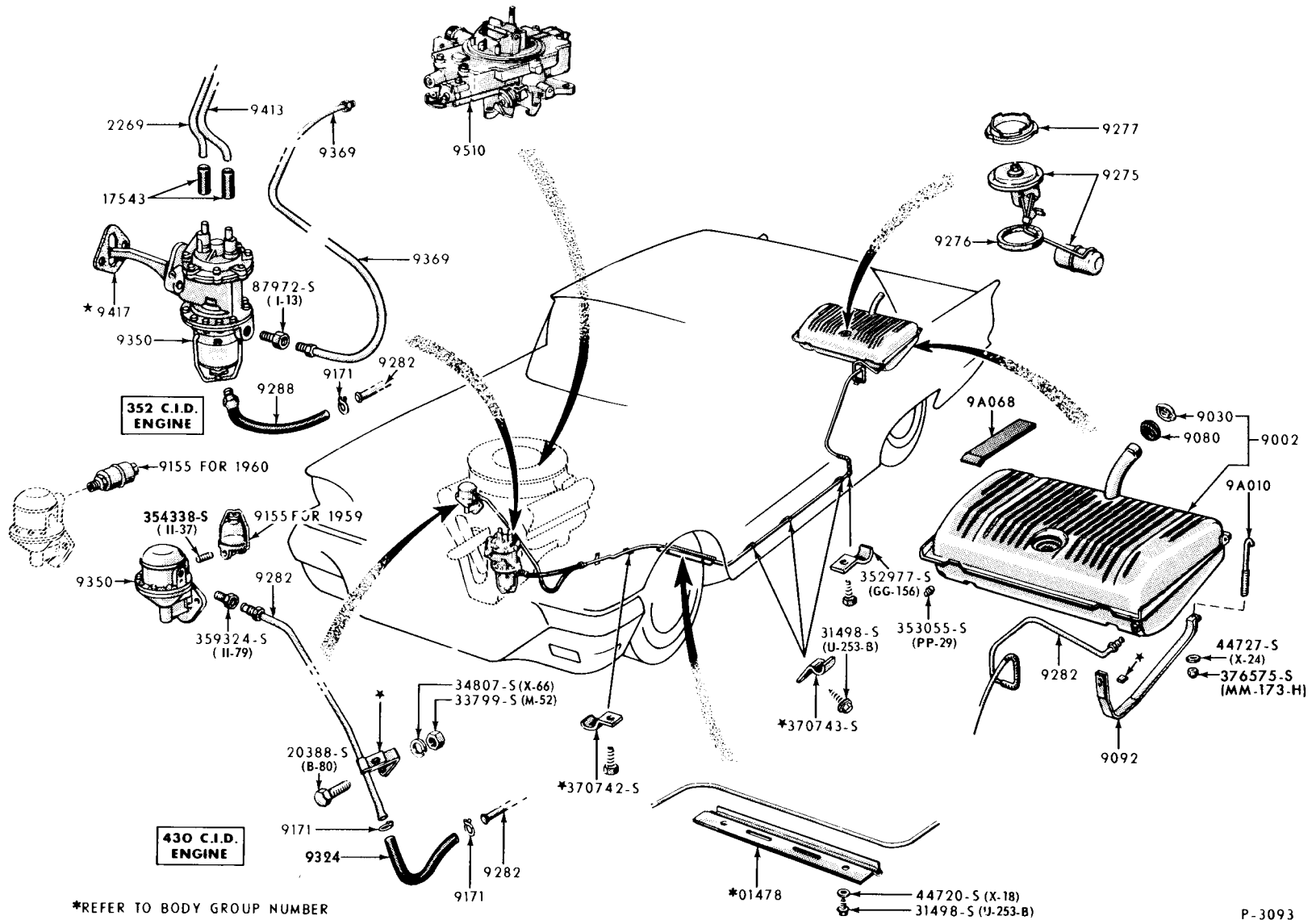
CARBURETOR

AIR CLEANER
ACCELERATOR LINKAGE
SPEED CONTROL
THERMOSTATIC CHOKE CONTROL

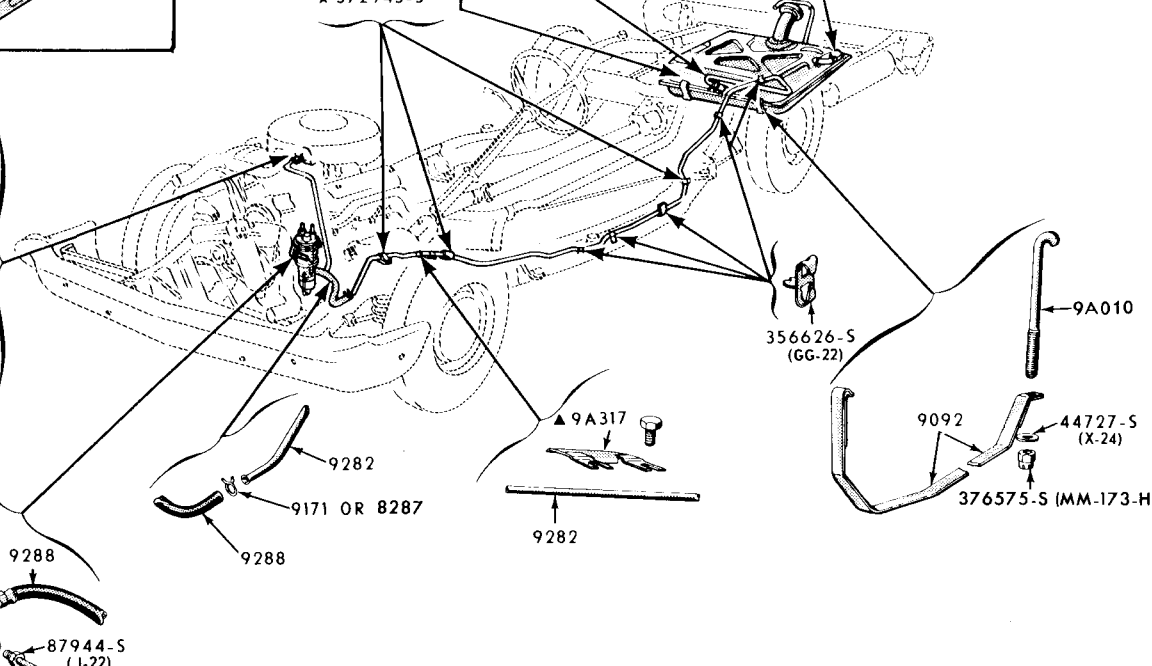
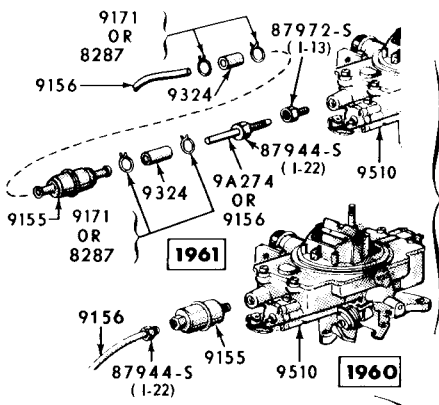
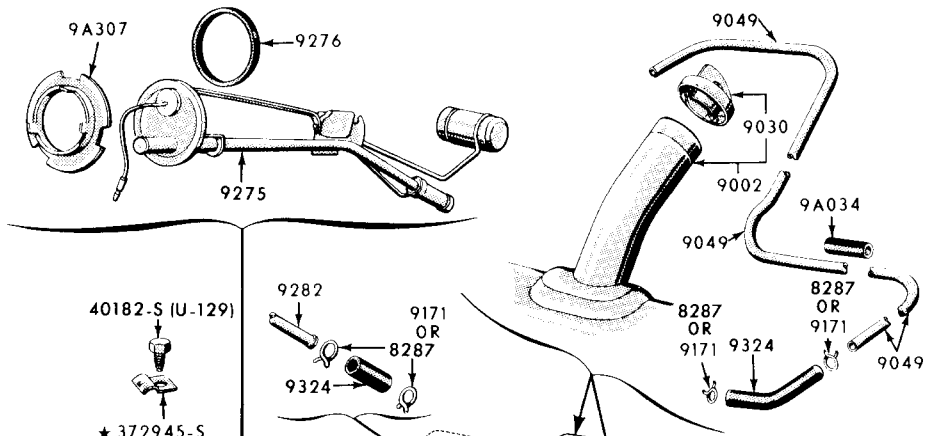
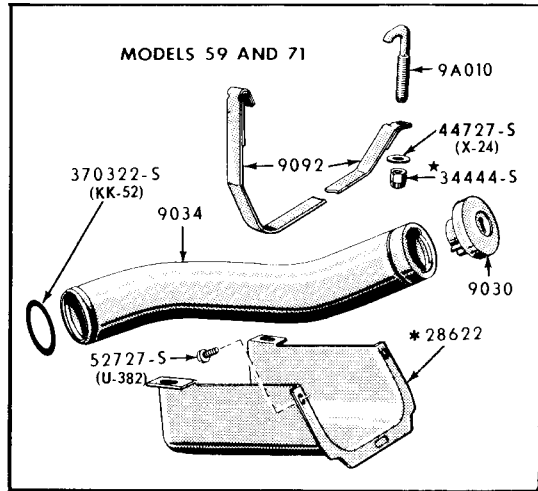
YEAR	TITLE	ILLUS. NO.	SECTION	PAGE
FUEL FILTER				
1962	Fuel Filter Assembly (Ford & Fairlane)-except 8 cyl. 352, 390 engines with A/C	P-3711	90	301
1963/64	Fuel Filter Assembly (Fairlane)-8 cylinder 221, 260 engines with Heavy Duty Oil Filter	P-3711	90	301
1963	Fuel Filter Assembly (Fairlane)-6 cylinder 170, 200 engines	P-3711	90	301
1963/64	Fuel Filter Assembly (Taxicab and Ford Police Special)-6 cylinder 223 engine	P-3711	90	301
FUEL SYSTEM				
1960/61	Fuel System and Related Parts (Ford)	P-3103	90	292
1962	Fuel System and Related Parts (Ford-Galaxie)	P-3948	90	295
1960/62	Fuel System and Related Parts (Falcon)	P-3128	90	293
1960	Fuel System and Related Parts (Thunderbird)	P-3093	90	291
1961/62	Fuel System and Related Parts (Thunderbird)	P-3364	90	294
1963	Fuel System and Related Parts (Thunderbird)	P-4522	90	297
1964/	Fuel System and Related Parts (Thunderbird)	P-4523	90	299
1962/	Fuel System and Related Parts (Fairlane)	P-3740	90	296
1963/64	Fuel System and Related Parts (Ford-Custom & Galaxie)	P-4013	90	298
1963/	Fuel System and Related Parts (Falcon)	P-4617	90	300
FUEL PUMP				
1960/61	Fuel Pump (6 & 8 cylinder engines)-Ford, Falcon-Typical	P-1867	93	306
1960/61	Fuel Pump (8 cylinder engine)-Thunderbird Except 430 engine	P-1867	93	306
1960	Fuel Pump (8 cylinder 430 engine)-Thunderbird (A/C Type)	P-2831	93	302
1960/	Fuel Pump (Ford-8 cyl. 352, 390, 406, 427 engine-Special with 4, 6 or 8 barrel carburetor)	P-3306	93	307
1960	Fuel Pump (8 cylinder 430 engine)-Thunderbird (Carter)	P-3135	93	303
1961	Fuel Pump (Ford & Thunderbird)(8 cylinder 292, 352, 390 engines)	P-3401	93	308
1962	Fuel pump (6 cylinder 144, 170 Engine)-Falcon	P-3777	93	310
1963	Fuel Pump (6 cylinder 170 engine)-Fairlane (Carter)	P-4059	93	310
1962	Fuel Pump and Filter Assy. -Ford (8 cyl. 352, 390 engines w/A/C)-Thunderbird (Carter)	P-3715	93	309
1963/	Fuel Pump and Filter Assy. (8 cylinder 221, 260, 289, 352, 390 engines)	P-3715	93	309
1963/	Fuel Pump and Filter Assy. (6 cyl. 144, 170, 200 engines)	P-4367	93	311
1960/62	Fuel Pump (8 cylinder 292, 352, 390 engines)(Ford & Thunderbird)-(Airtex)	P-4870	93	311
FUEL and VACUUM PUMP				
1960/61	Fuel and Vacuum Pump (6 & 8 cylinder engines)-Ford & Thunderbird-Typical	P-1866	93	305
1960/61	Fuel and Vacuum Pump (6 cylinder 144 engine)-Falcon	P-2981	93	304
MANIFOLD				
1960	Intake Manifold and Related Parts (8 cylinder 430 engine)-Thunderbird	P-2821	94	313
1962	Intake Manifold and Related Parts (Fairlane-8 cylinder 221 & 260 engines)	P-3742	94	314
1960/64	Manifold and Related Parts (6 cylinder 223 engine)-Typical	P-1607	94	312
Typical	Valve ass'y. (exhaust thermostat control)(arm type counterweight)	P-3474	94	315
Typical	Valve assy. (exhaust thermostat control)(8 cylinder)(wheel type counterweight)	P-5227	94	315
CARBURETOR				
1960/61	Carburetor (6 cylinder 144 engine)-Falcon (Holley Type)	P-3237	95	318
1961	Carburetor (6 cylinder 170 engine) (Holley Type)	P-3522	95	322
1962	Carburetor (6 cylinder 144, 170 engines)-Falcon & (6 cylinder 170 engine)-Fairlane(Holley Type)	P-3778	95	323
1960/62	Carburetor (6 cylinder 223 engine) (Holley Type)	P-2605	95	319
1963/64	Carburetor (6 cylinder 144, 170, 200, 223 engines)(Ford Type)	P-4008	95	326
1963/	Carburetor (6 cylinder 170, 200 engines)(Ford Type)	P-4728	95	330
1960/	Carburetor (4 barrel)-8 cyl. 352, 390, 406, 427 engines with adj. needle & seat assy. -fuel inlet (Holley Type)-Typical	P-3231	95	321
1961/63	Carburetor (2 barrel) -8 cylinder 390, 406 engines (Holley Type)-Typical	P-2862	95	324
1960/63	Carburetor (2 barrel)-8 cylinder 221, 260, 289, 292, 352 engines (Ford Type)	P-3260	95	320
1960	Carburetor (4 barrel)-8 cylinder 352 engine (Ford Type)	P-3259	95	316
1960	Carburetor (4 barrel)-8 cylinder 430 engine (Thunderbird) (Carter Type)	P-3207	95	317
1961/64	Carburetor (4 barrel)-8 cylinder 289, 352, 390 engines (except with piston type choke (Ford Type)	P-4181	95	325
1962/	Carburetor (4 barrel)-8 cylinder 390, 406, 427 Hi-Performance Engines (Holley Type)	P-5320	95	331

INDEX

YEAR	TITLE	ILLUS. NO.	SECTION	PAGE
CARBURATOR - continued				
1964	Carburetor (2 barrel)-8 cylinder 260, 289 engines (with piston type choke)(Ford Type)	P-4530	95	327
1964	Carburetor (2 barrel)-8 cylinder 260, 289, 390 engines (with piston type choke & accelerator pump check valve)(Ford type)	P-4526	95	328
1964/	Carburetor (4 barrel)-8 cylinder 289, 352, 390 engines (with piston type choke & accelerator pump check valve)(Ford type)	P-4527	95	329
AIR CLEANER				
1960	Air Cleaner(Carburetor)& Related Parts (Thunderbird 430 engine)-typical	P-2793	96	332
1960	Air Cleaner(Carburetor)(Falcon)	P-3097	96	333
1960/62	Air Cleaner(Carburetor)(6 & 8 cylinder)-Ford	P-2992	96	334
1961	Air Cleaner(Carburetor)(Falcon)	P-3301	96	333
1961/63	Air Cleaner for three 2 barrel carburetors (8 cyl. 390, 406 engines)-Ford & Thunderbird	P-3628	96	336
1962	Air Cleaner(Carburetor)(8 cylinder)-Fairlane	P-2992	96	334
1962/	Air Cleaner (Carburetor)(6 cylinder)-Falcon & Fairlane (1963/64 6 cylinder Ford)	P-3737	96	335
1963/	Air Cleaner (Carburetor) & Related Parts (8 cyl. 221, 260, 289 engines)-Ford, Fairlane, Falcon	P-4134	96	335
1963/	Air Cleaner (Carburetor)(8 cylinder 289-4V High Performance engine)-Fairlane, Mustang	P-5784	96	337
1964	Air Cleaner (Carburetor)(8 cylinder 352-4V, 390-2V, 390-4V engines)-Ford	P-5783	96	337
1964	Air Cleaner (Carburetor)(8 cylinder 390-4V Police Interceptor Engine)-Ford	P-5783	96	337
1964/	Air Cleaner (Carburetor)(8 cylinder 390-4V engine)-Thunderbird	P-5783	96	337
ACCELERATOR LINKAGE				
1960	Accelerator Linkage (8 cyl. 352 engine) -Standard & Overdrive Transmission (Thunderbird)	P-2862	97	338
1960	Accelerator Linkage (8 cylinder 352 & 430 engines)-Cruise-O-Matic (Thunderbird)	P-2879	97	339
1960	Accelerator Linkage (6 cylinder) (Ford)	P-3071	97	340
1960	Accelerator Linkage (8 cylinder)-Fordomatic 2 Speed Transmission (Ford)	P-3073	97	341
1960	Accelerator Linkage (8 cylinder)-Cruise-O-Matic Transmission (Ford)	P-3074	97	342
1960/61	Carburetor-Throttle control (Ford)	P-3420	97	343
1960/62	Accelerator Linkage (6 cylinder 223 engine)-Cruise-O-Matic (Ford)	P-3215	97	345
1960/61	Accelerator Linkage-F/M/2 Transmission without Vacuum Throttle Valve (Falcon)	P-3139	97	344
1960/62	Accelerator Linkage (8 cylinder) - Manual & Overdrive Transmission (Ford)	P-3072	97	346
1960/	Accelerator Linkage (6 cylinder) - Manual Transmission (Falcon)	P-3138	97	347
1961/64	Accelerator Linkage (6 cylinder)(Ford)-typical	P-3402	97	350
1961	Accelerator Linkage (8 cylinder 292, 352 engines)-Cruise-O-Matic Transmission (Ford)	P-3235	97	348
1961	Accelerator Linkage (8 cyl.)(Ford)-Fordomatic 2 Speed Trans. without Vacuum Throttle Valve	P-3407	97	343
1961/	Accelerator Linkage (8 cylinder 390 engine)-C/M & C6 Transmissions(Thunderbird)	P-3236	97	351
1961/62	Accelerator Linkage (8 cyl. 292 & 352)-F/M/2 Trans. with Vacuum Throttle Valve (Ford)	P-3668	97	349
1961/	Accelerator Linkage (6 cyl.) -F/M/2 and C4 Trans. with Vacuum Throttle Valve (Falcon)	P-3670	97	352
1961/63	Accelerator Linkage & Related Parts For Installation (8 cylinder 390, 406 engines)- three 2 barrel carburetors (Ford)	P-3827	97	353
1963/	Accelerator Linkage & Related Parts For Installation (8 cylinder 406, 427 engines)- Dual 4 barrel carburetors (Ford)	P-4388	97	354
1962/64	Accelerator Linkage (6 cylinder 170, 200 engines)(Fairlane)	P-3664	97	355
1962/	Accelerator Linkage (8 cylinder 221, 260, 289 engines)(Fairlane)	P-3666	97	356
1963/64	Accelerator Linkage (8 cylinder 260, 289, 352, 390, 406, 427 engines)-(Ford) (w/Manual & O/D transmissions)	P-4102	97	357
1963/64	Accelerator Linkage (8 cylinder 260, 289 engines-with Fordomatic 2 Speed)(Ford)(8 cylinder 260, 289, 352, 390 engines with Cruise-O-Matic) (Ford)	P-4103	97	357
1963/	Accelerator Linkage (8 cylinder)(Falcon)	P-4732	97	358
SPEED CONTROL				
1964	Speed Control Installation (Ford)-Pump, Metering Valve, Solenoid and Related Parts	P-4429	97	361
1964	Speed Control Installation (Ford)-Servo, Accelerator Linkage and Related Parts	P-4430	97	362
1964/	Speed Control Installation (Thunderbird)-engine compartment	P-4363	97	359
1964/	Speed Control Installation (Thunderbird)-passenger compartment	P-4362	97	360
THERMOSTATIC CHOKE CONTROL				
1960/	Thermostatic Choke Control Tubes & Related Parts (8 cylinder 292, 352, 390 engines)-except Fairlane 8 cylinder 390 & Hi-Performance Engines)	P-4175	98	363
1962/64	Thermostatic Choke Control Tubes & Related Parts (8 cylinder 221, 260, 289 engines)-typical	P-4176	98	365
1960/	Thermostatic Choke Control Tube & Related Parts (Ford)(8 cylinder 352, 390, 406, 427 engines-Hi-Performance-with 4, 6 & 8 Barrel Carburetor)	P-4177	98	364
1964/	Thermostatic Choke Control Tube & Related Parts (8 cyl, 260, 289 eng.)(except Hi-Performance)	P-4940	98	364

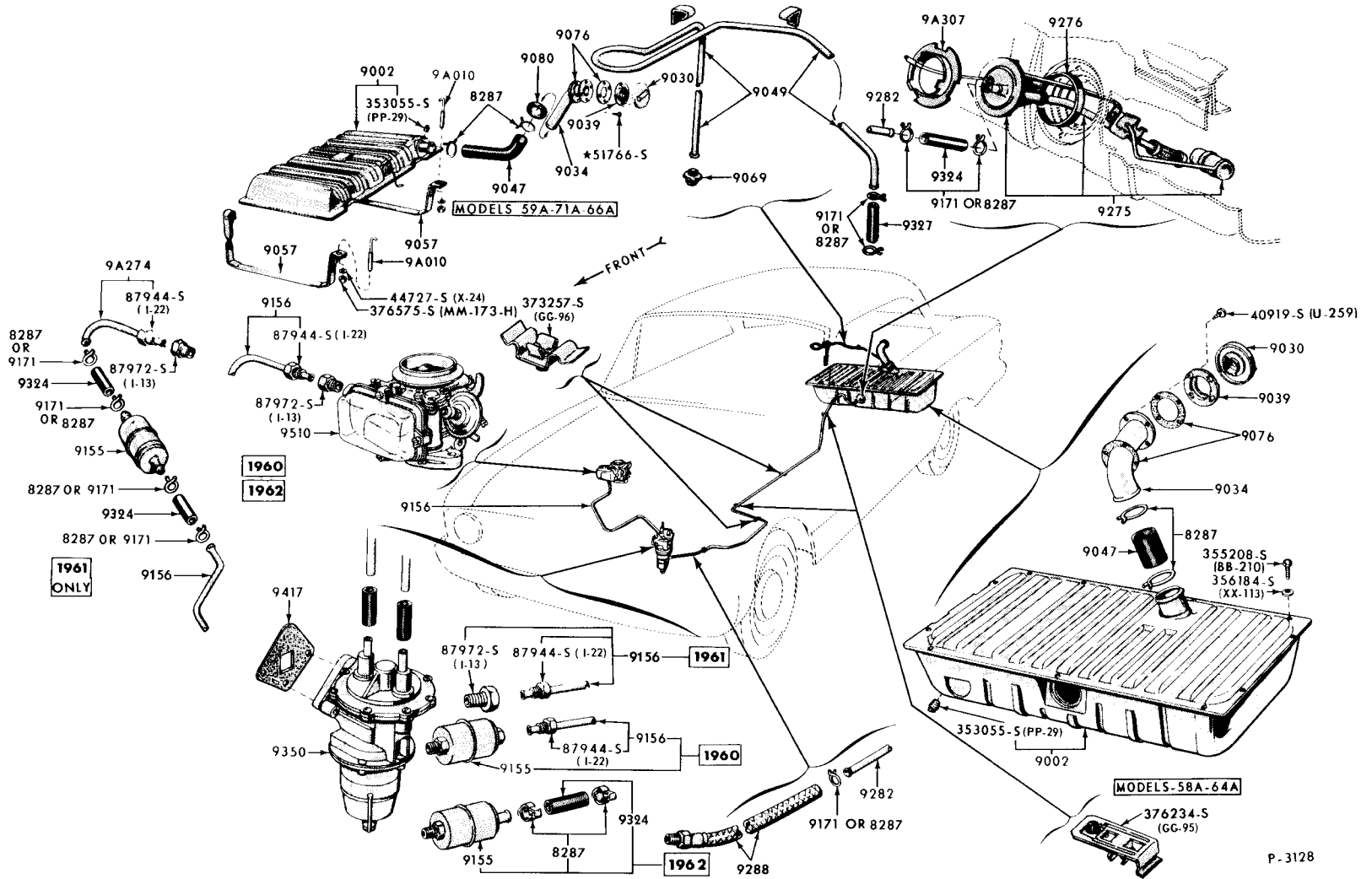


*REFER TO BODY GROUP NUMBER



* REFER TO BODY GROUP NUMBER
 ▲ USED ON 8 CYL. STD. & O/DRIVE TRAN.

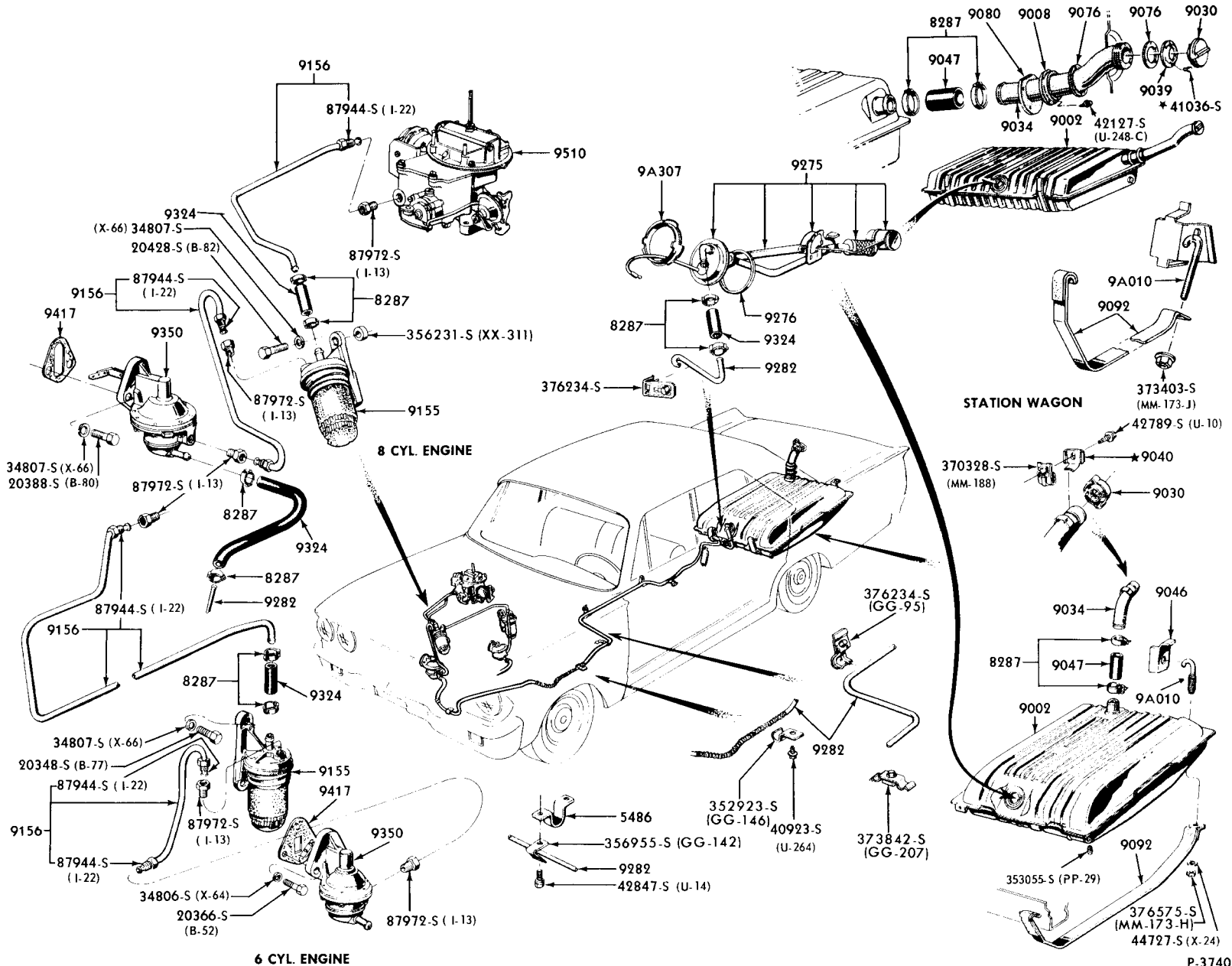
1960/61 FUEL SYSTEM and RELATED PARTS (FORD)

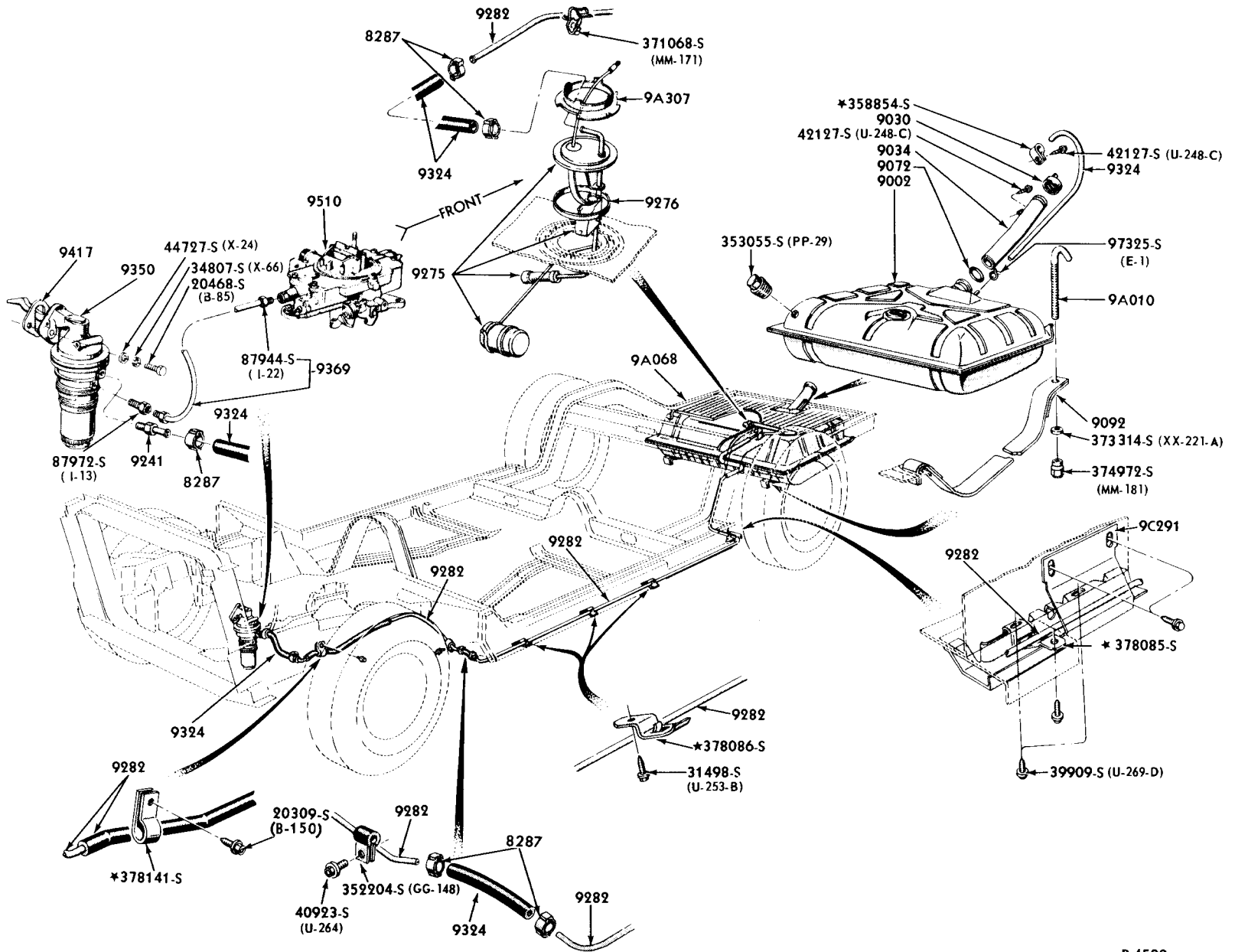


FORD CAR PARTS

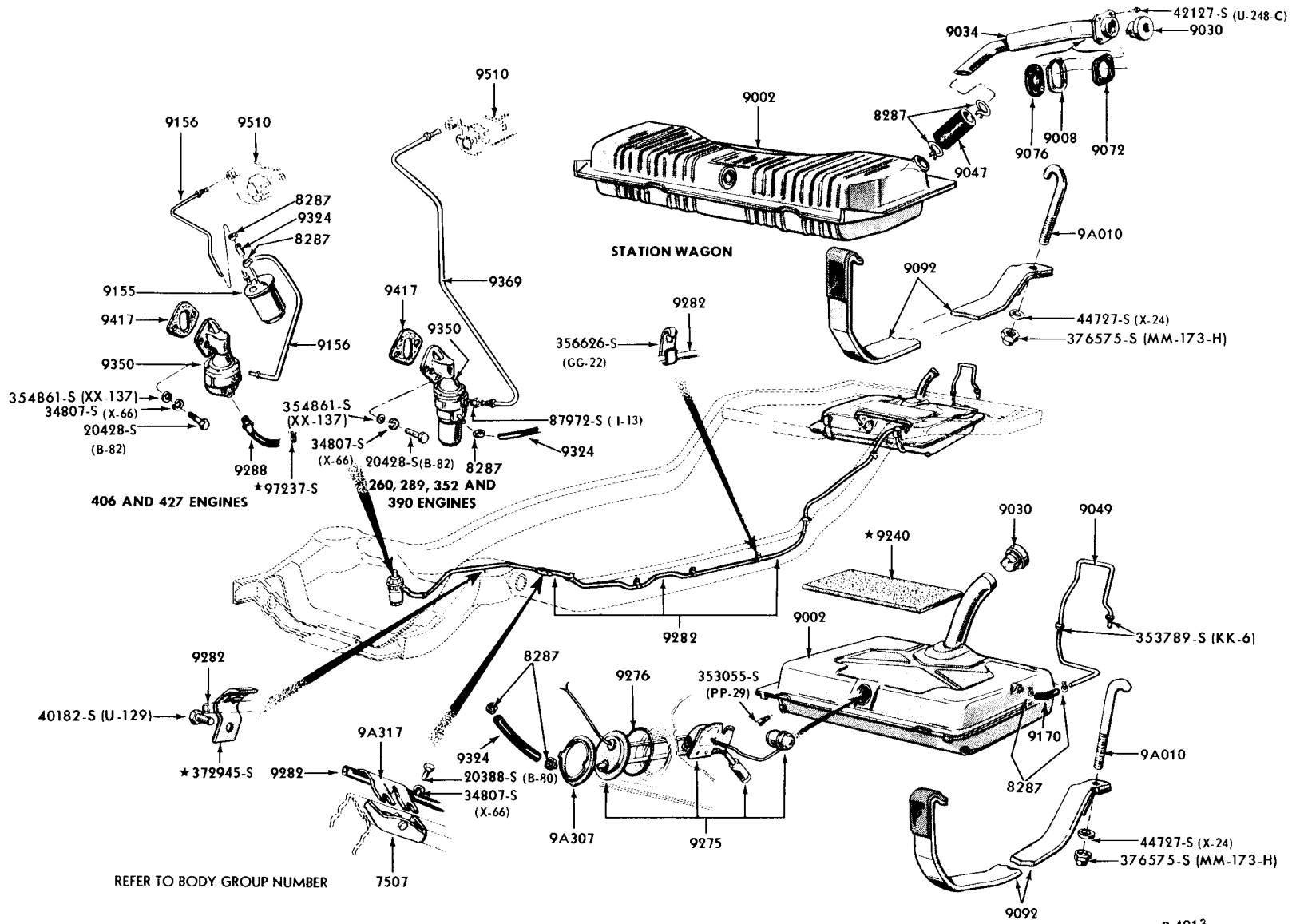
ILLUSTRATION SECTION 90

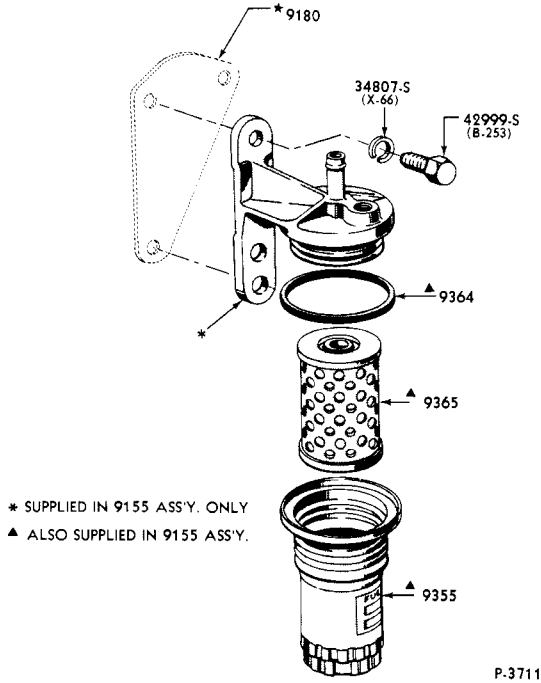
1962 / FUEL SYSTEM and RELATED PARTS (FAIRLANE)





1963/64 FUEL SYSTEM and RELATED PARTS (FORD-CUSTOM & GALAXIE)

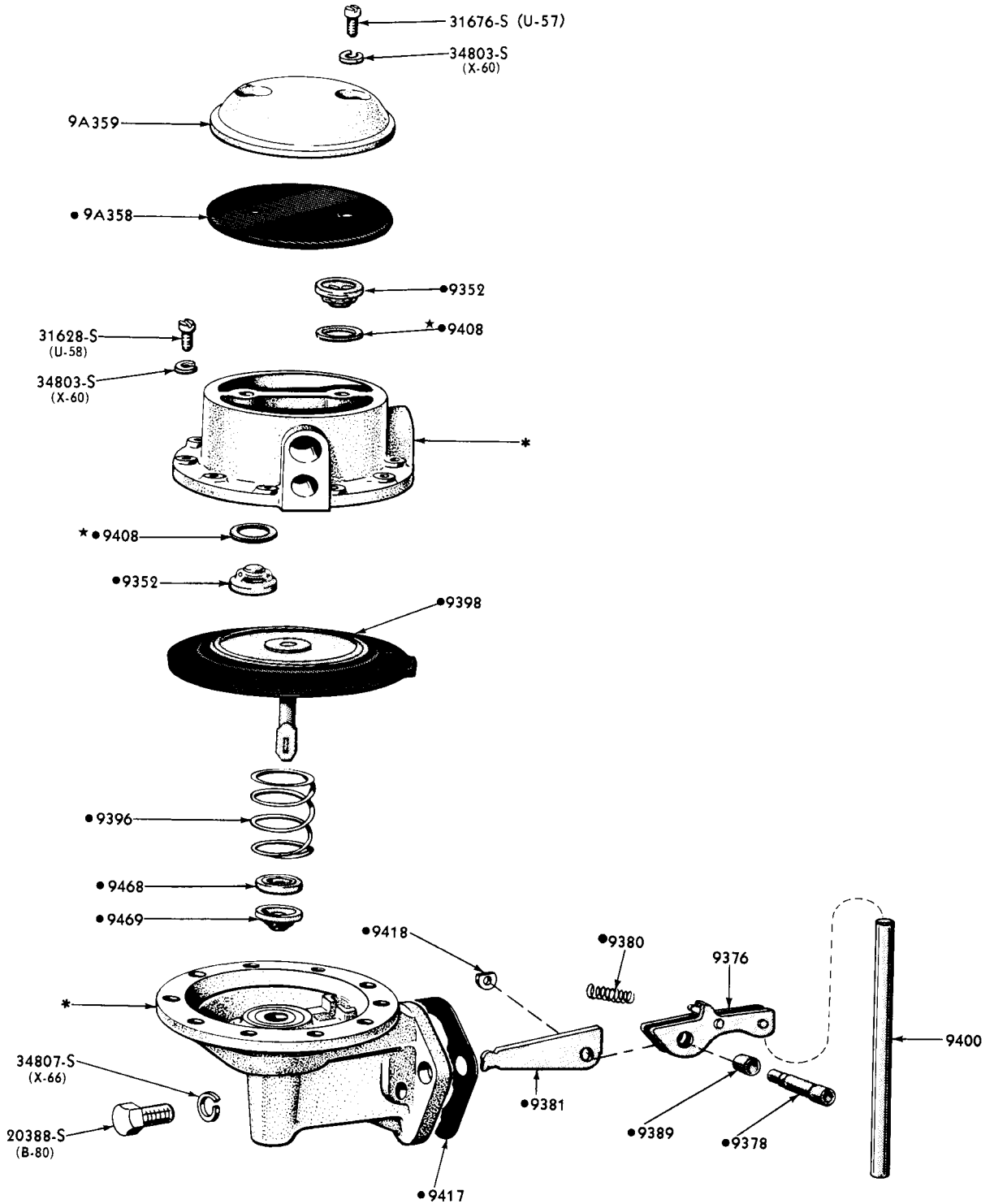




P-3711

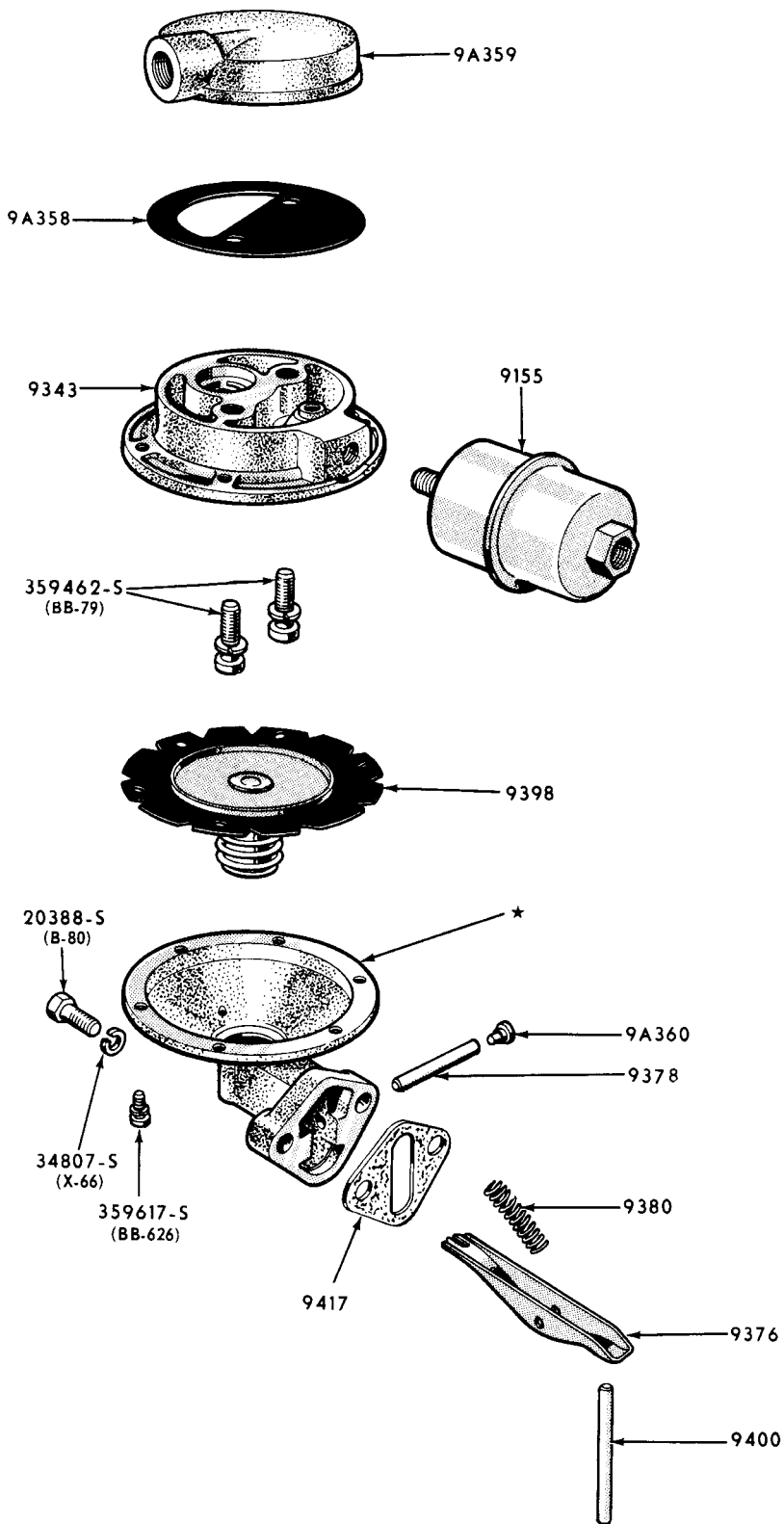
FUEL FILTER ASSEMBLY

- 1962 FORD & FAIRLANE-EXCEPT 8 CYLINDER 352, 390 ENGINES WITH AIR CONDITIONING
- 1963/64 FAIRLANE-8 CYLINDER 221, 260 ENGINES WITH HEAVY DUTY OIL FILTER
- 1963 FAIRLANE-6 CYLINDER 170, 200 ENGINES
- 1963/64 TAXICAB & FORD POLICE SPECIAL-6 CYLINDER 223 ENGINE



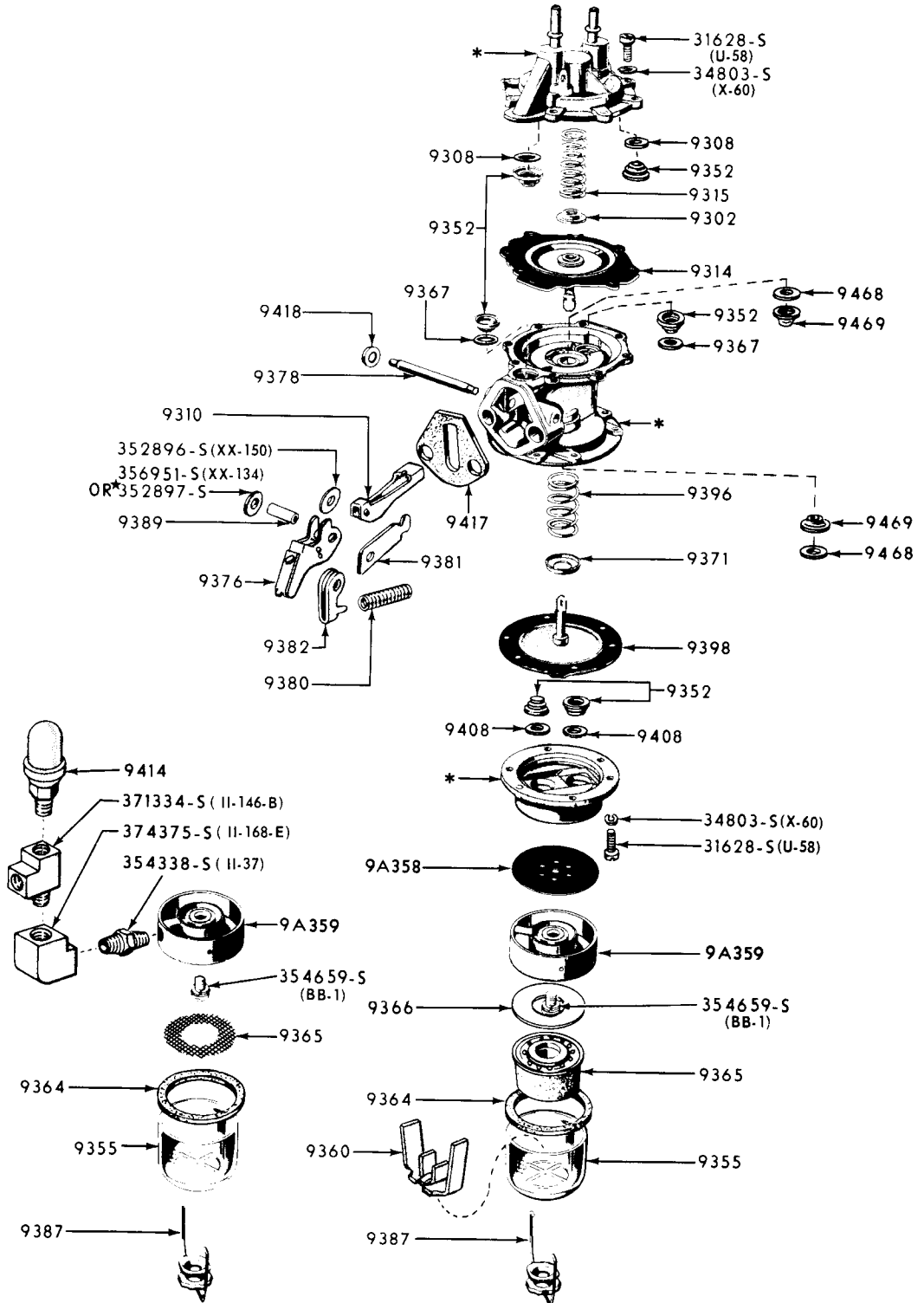
*SUPPLIED IN 9350 PUMP ASSEMBLY ONLY
 ●ALSO SUPPLIED IN 9349 REPAIR KIT

FUEL PUMP (A/C TYPE)
 1960 THUNDERBIRD - 8 CYLINDER 430 ENGINE



P-3135

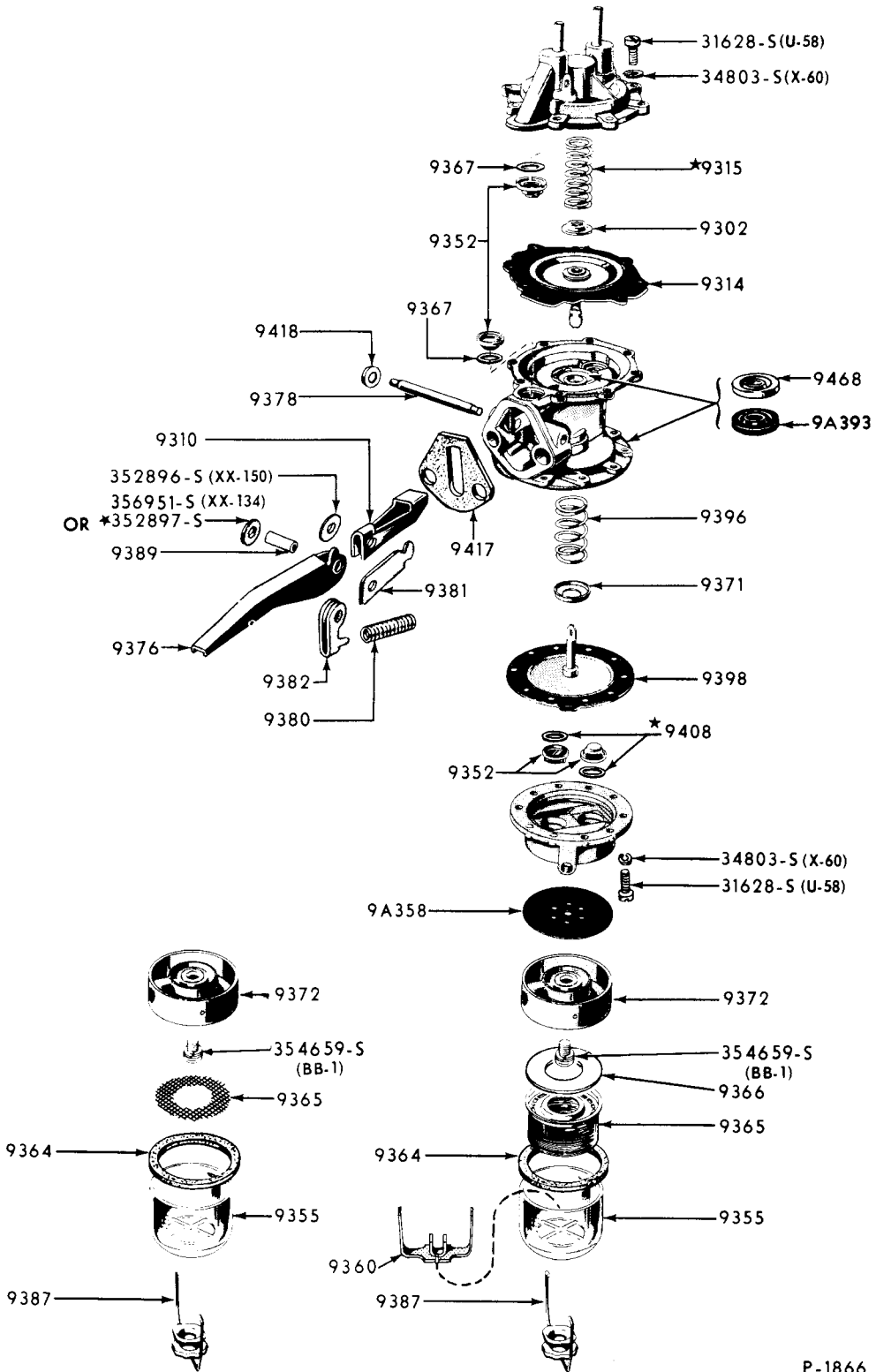
FUEL PUMP (CARTER)
1960 THUNDERBIRD - 8 CYLINDER 430 ENGINE



USED WITH INLINE FUEL FILTER

*SUPPLIED ONLY IN 9350 FUEL PUMP ASSEMBLY

P-2981

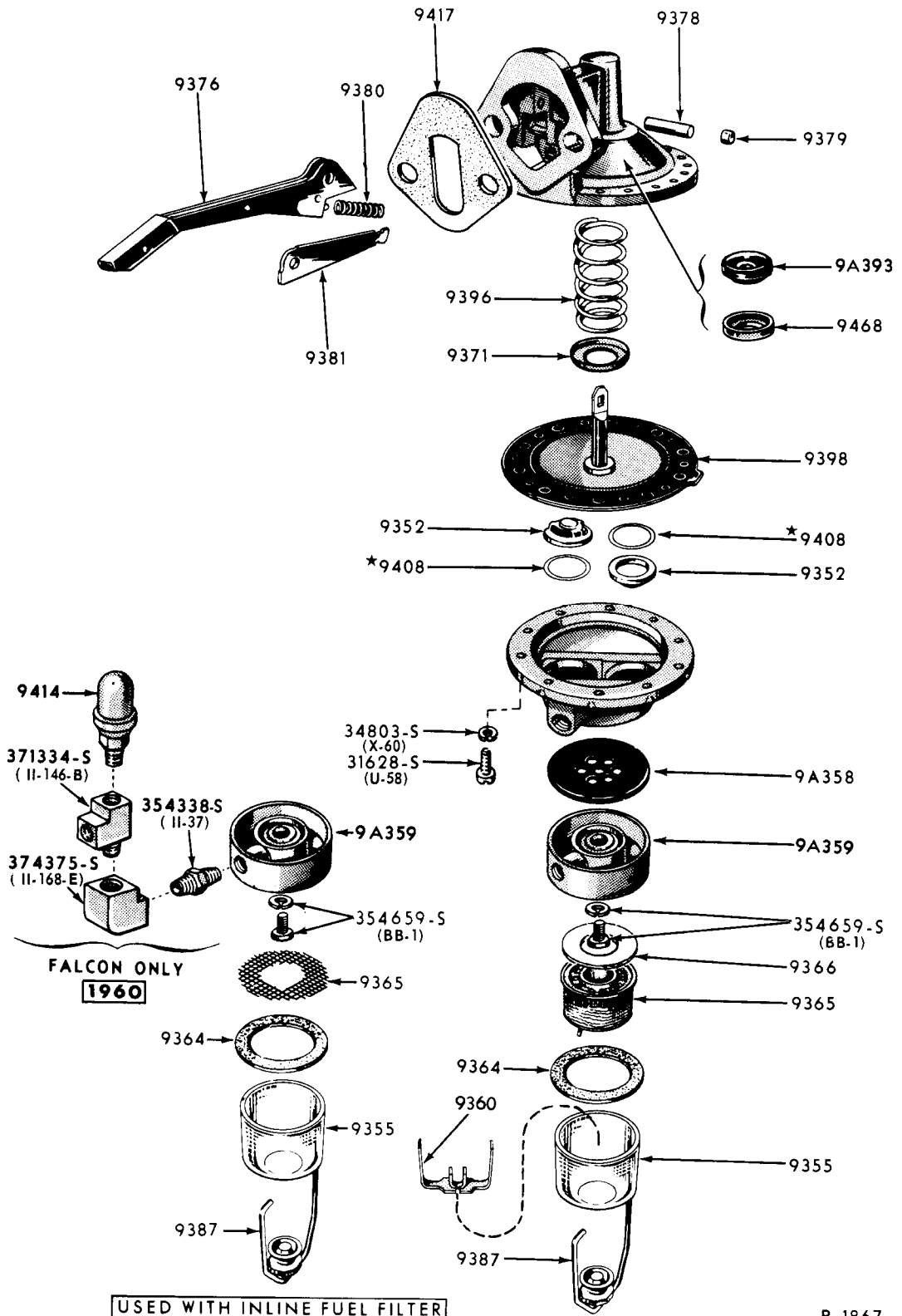


WITH IN-LINE FILTER

P-1866

FUEL and VACUUM PUMP (6 & 8 CYLINDER ENGINES)-TYPICAL
1960/61 FORD & THUNDERBIRD

FORD CAR PARTS

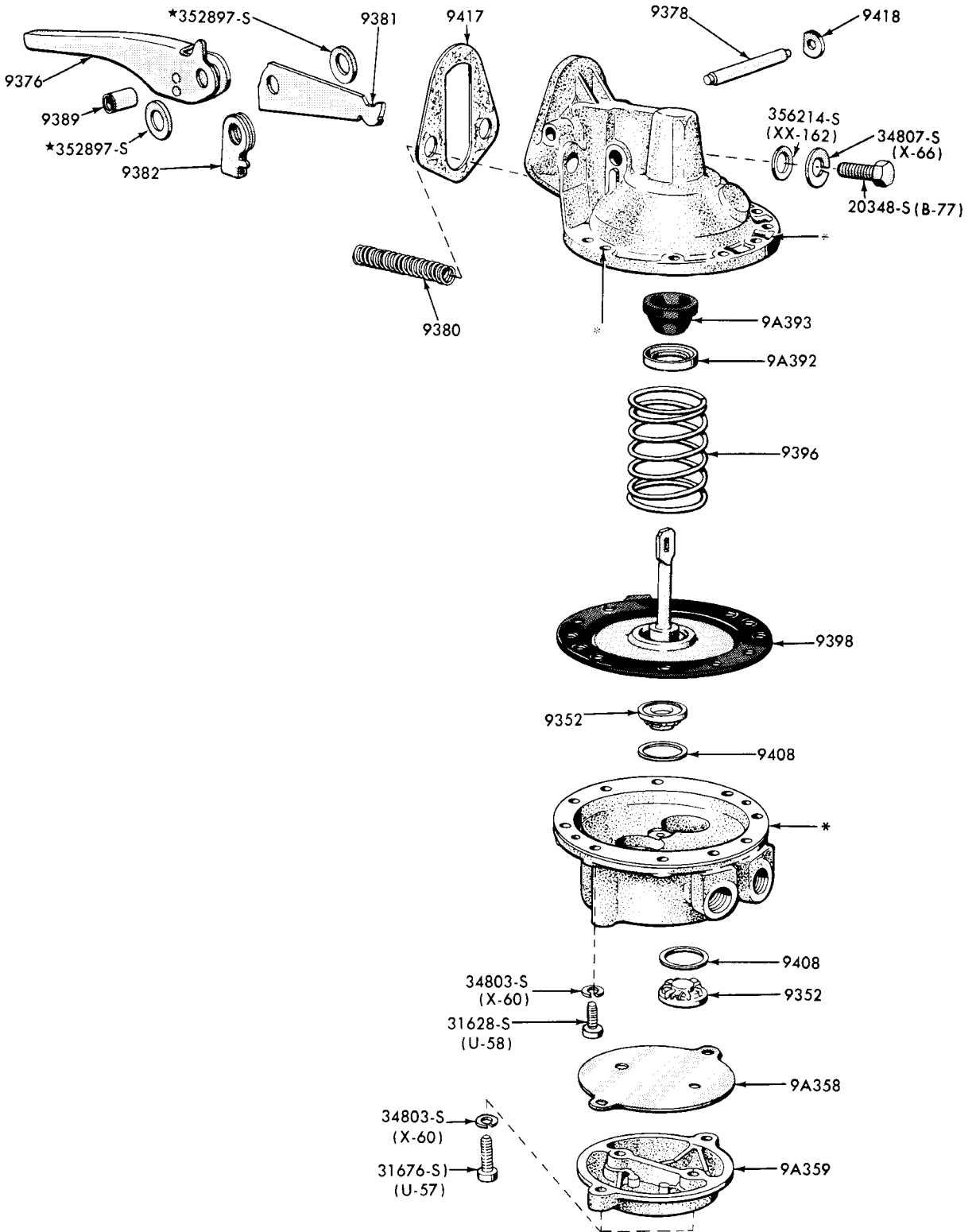


USED WITH INLINE FUEL FILTER

P-1867

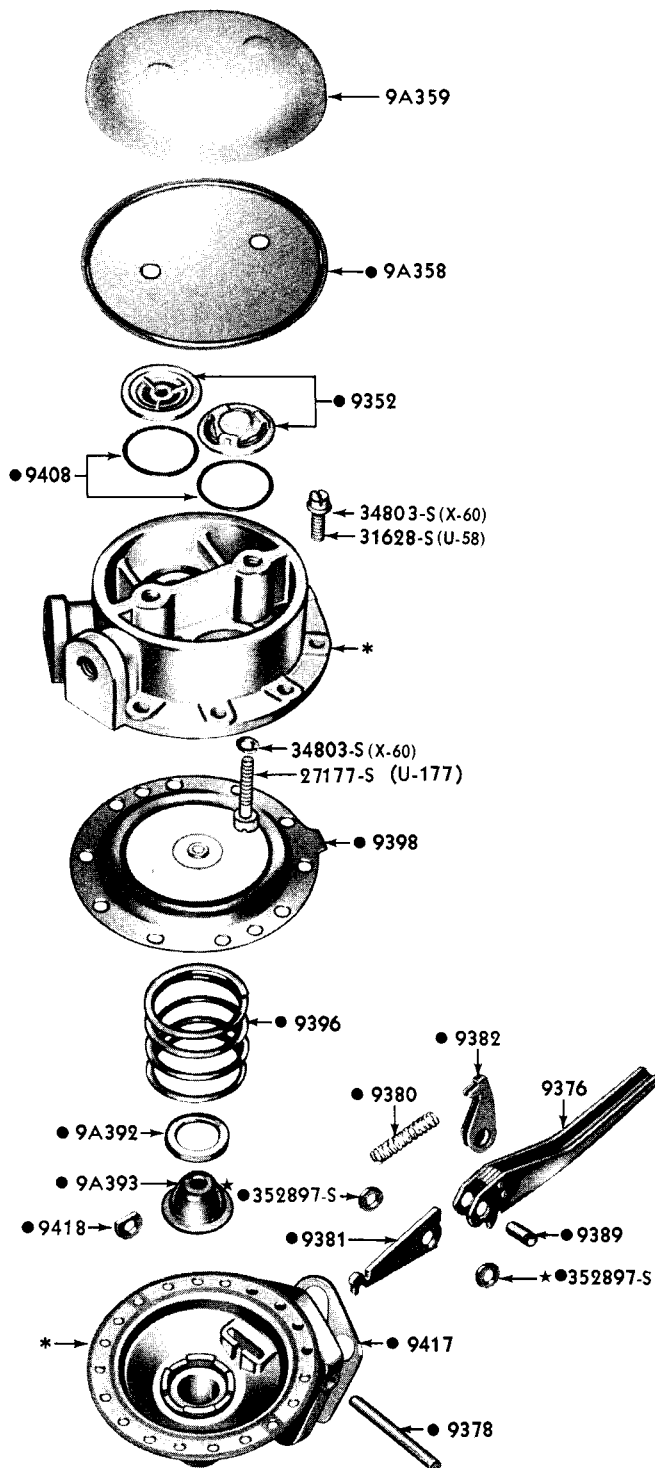
FUEL PUMP (6 & 8 CYLINDER ENGINES)-TYPICAL
1960/61 FORD, FALCON

1960/61 THUNDERBIRD-EXCEPT 430 ENGINES



*SUPPLIED IN 9350 FUEL PUMP ASSEMBLY

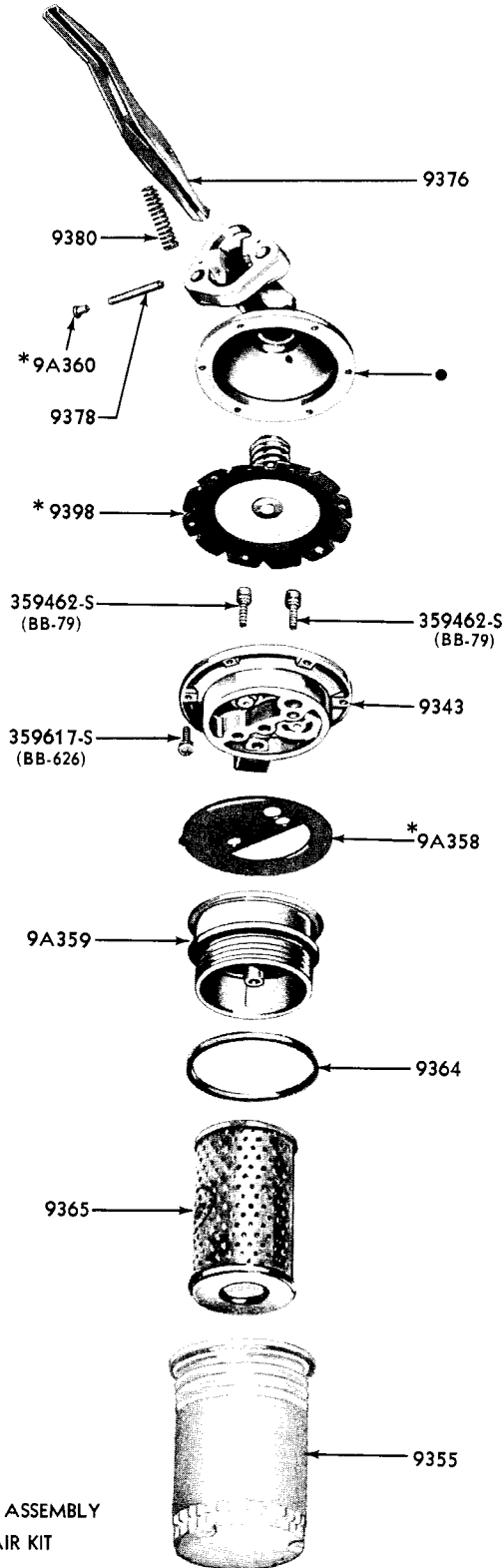
P-3306

FORD CAR PARTS

* SUPPLIED IN 9350 FUEL PUMP ASSEMBLY

● ALSO SUPPLIED IN 9349 REPAIR KIT

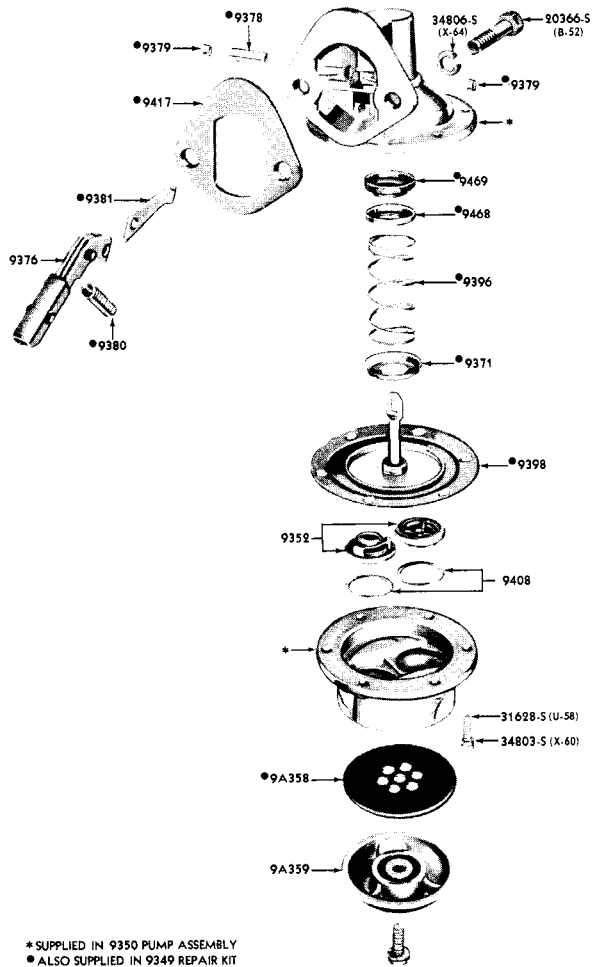
P-3401



● SUPPLIED IN 9350 FUEL PUMP ASSEMBLY
* ALSO SUPPLIED IN 9349 REPAIR KIT

FUEL PUMP and FILTER ASSY. (CARTER)
1962 FORD (8 CYL. 352, 390 ENGINES WITH A/C)
1962 THUNDERBIRD
1963/ (8 CYLINDER 221, 260, 289, 352, 390 ENGINES)

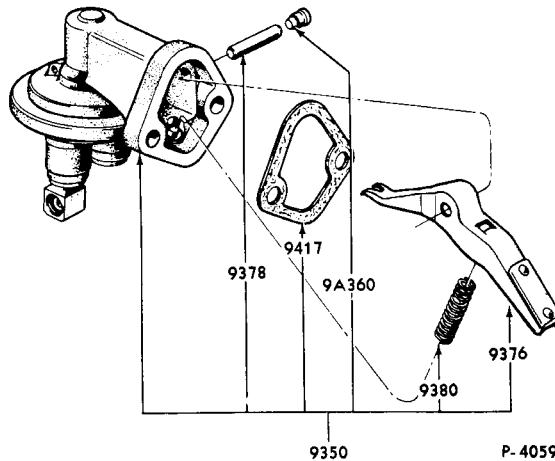
P-3715



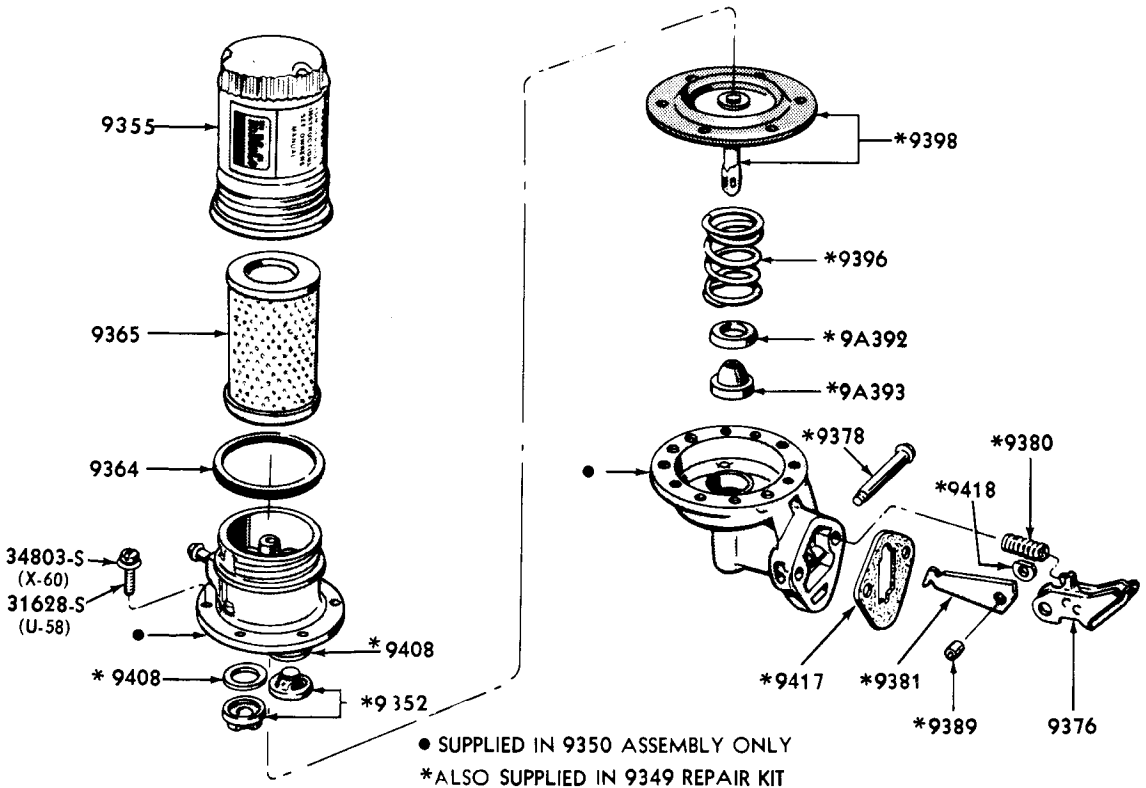
* SUPPLIED IN 9350 PUMP ASSEMBLY
 ● ALSO SUPPLIED IN 9349 REPAIR KIT

P.3777

1962 FUEL PUMP (6 CYLINDER 144, 170 ENGINE)-FALCON

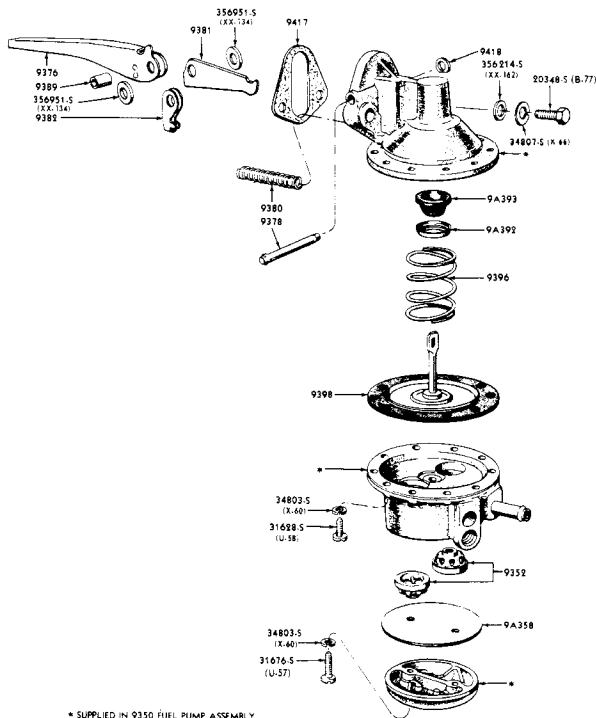


1963 FUEL PUMP (6 CYLINDER 170 ENGINE)-FAIRLANE (CARTER)



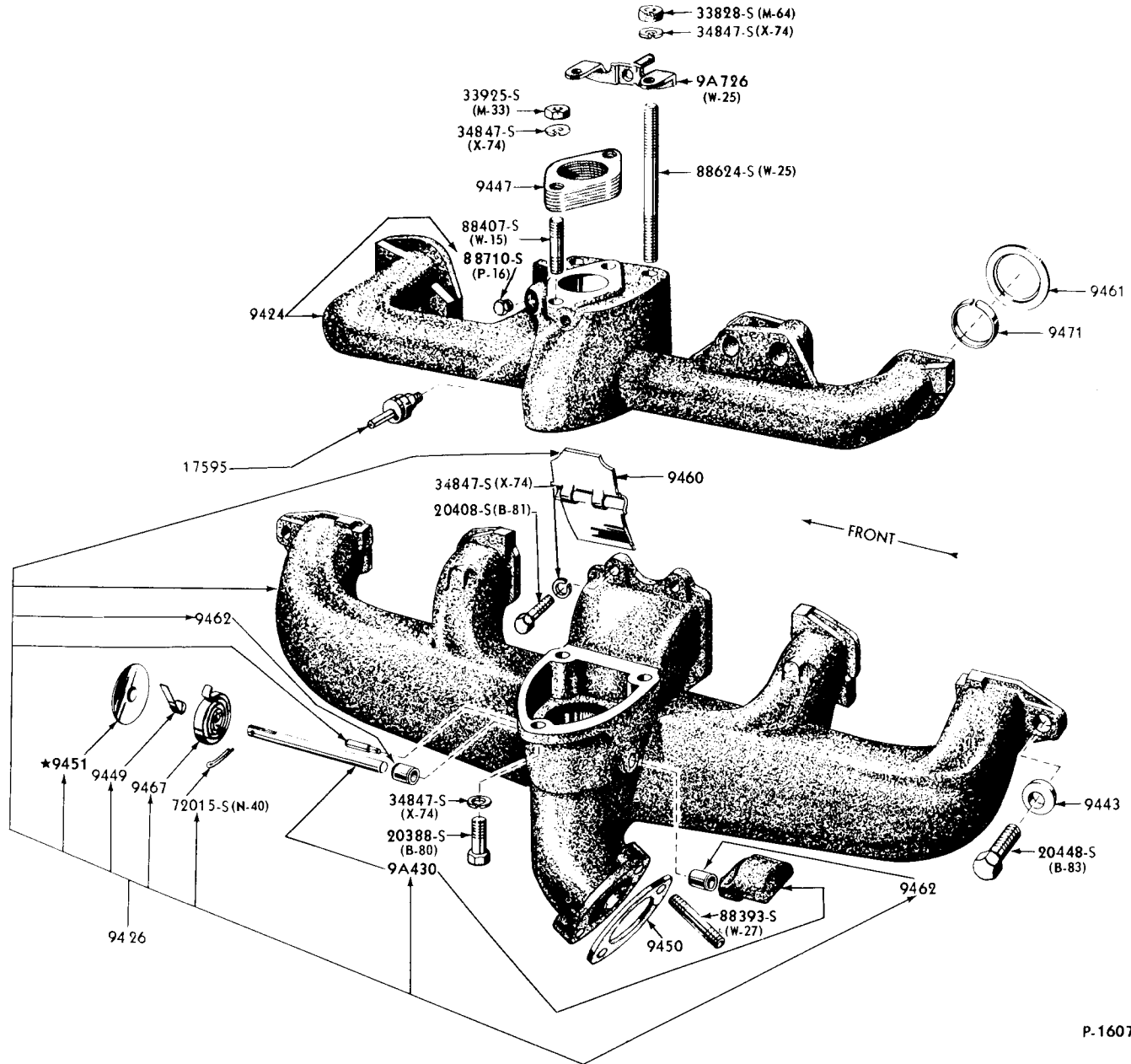
P-4367

1963/ FUEL PUMP and FILTER ASSY. (6 CYLINDER 144, 170, 200 ENGINES)

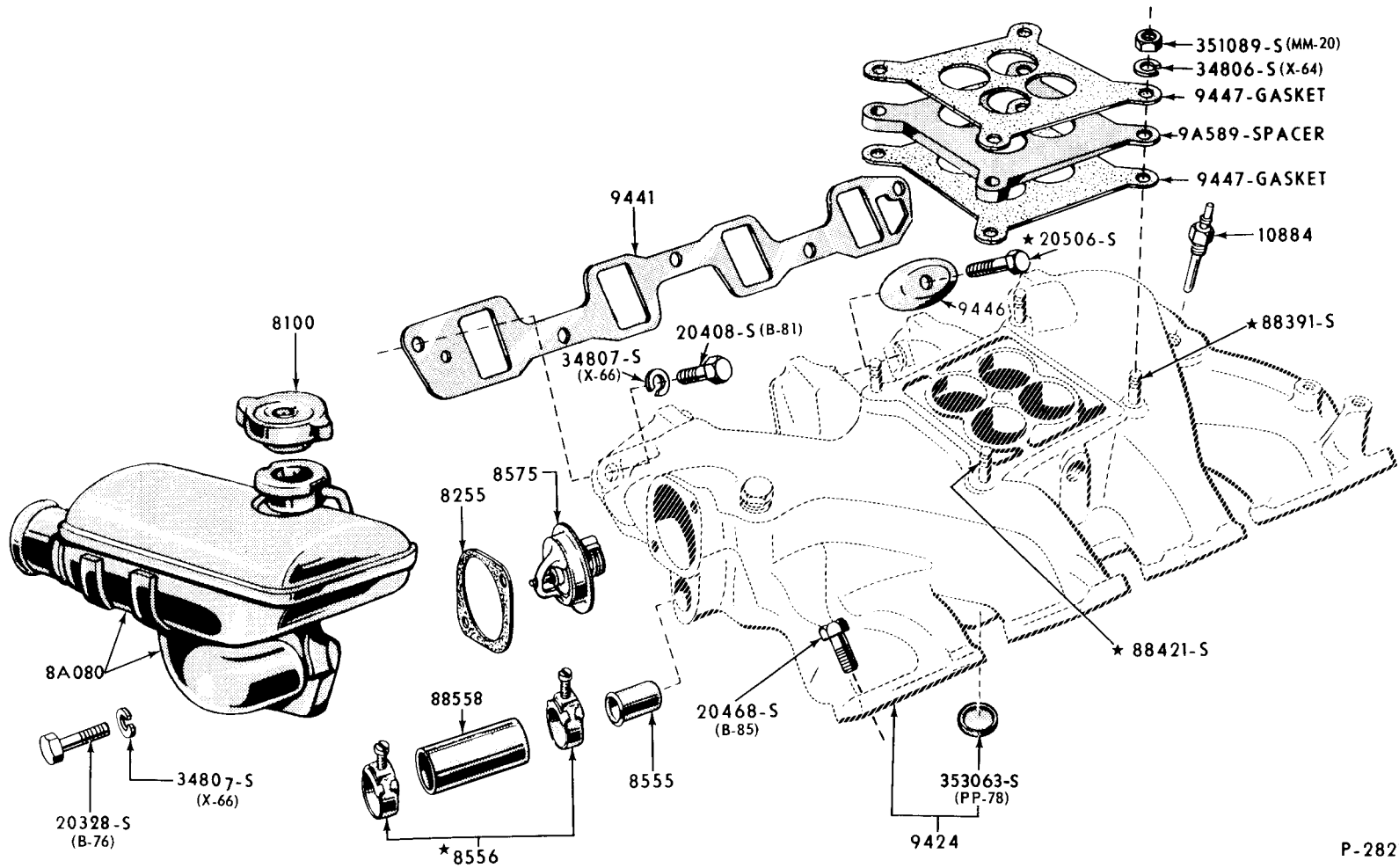


P.4870

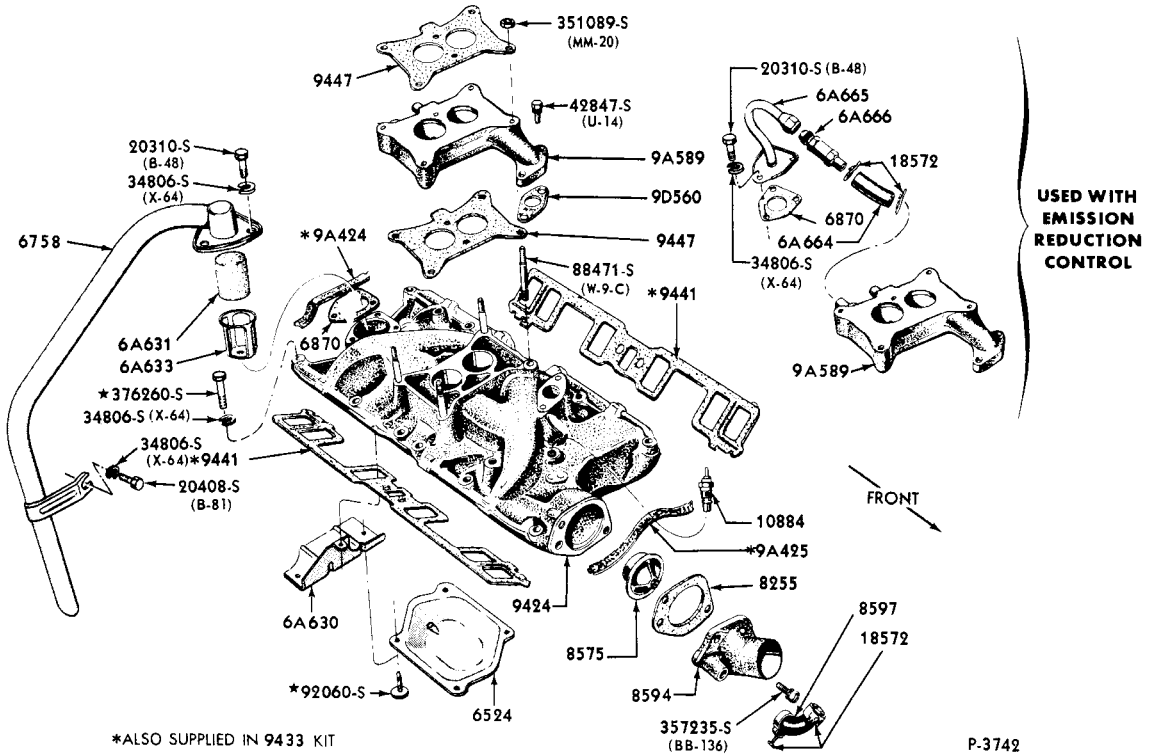
1960/62 FUEL PUMP (8 CYLINDER 292, 352, 390 ENGINES)(FORD & THUNDERBIRD)-(AIRTEX)



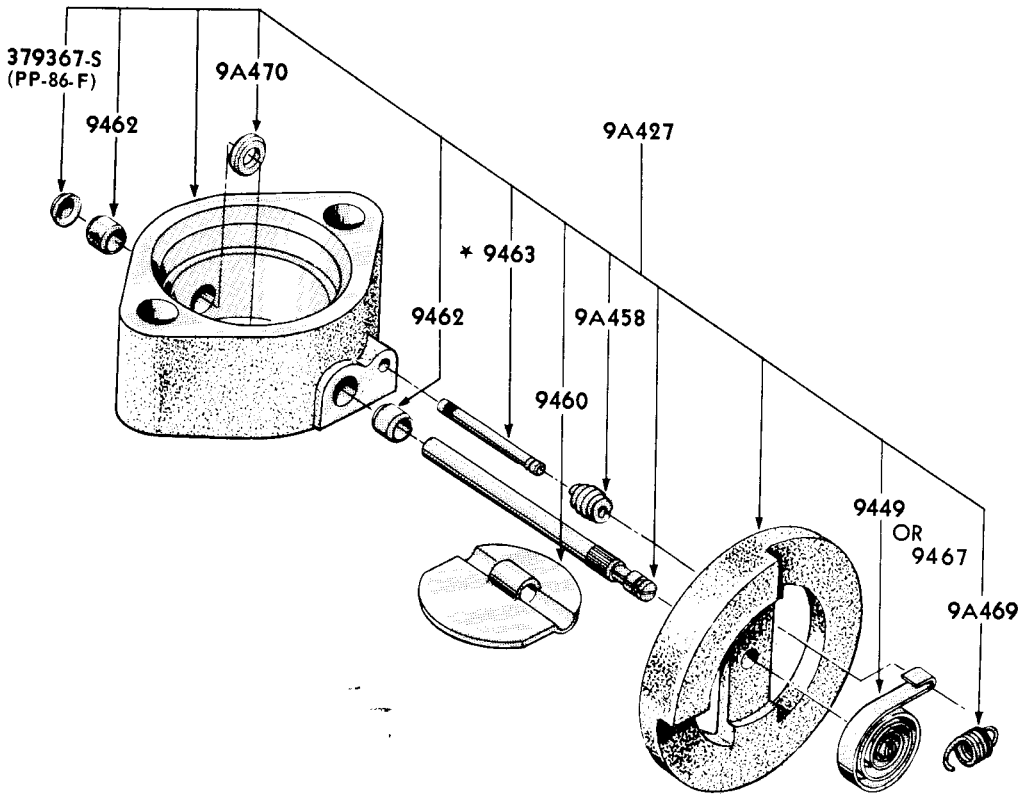
1960/64 MANIFOLD and RELATED PARTS (6 CYLINDER 223 ENGINE)-TYPICAL



P-2821

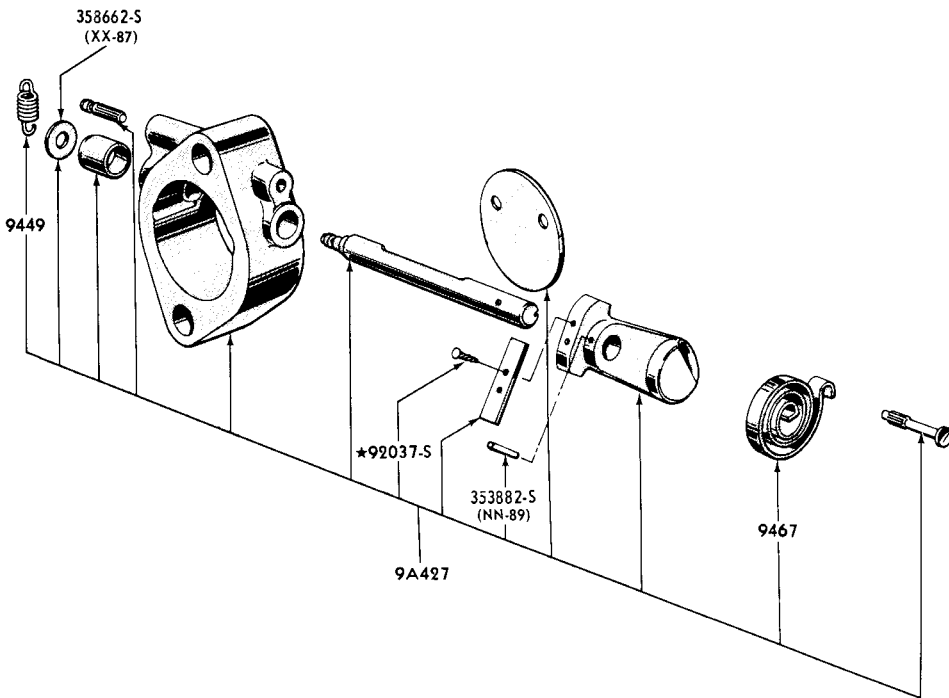


1962 INTAKE MANIFOLD and RELATED PARTS (FAIRLANE-8 CYLINDER 221 & 260 ENGINES)



P-5227

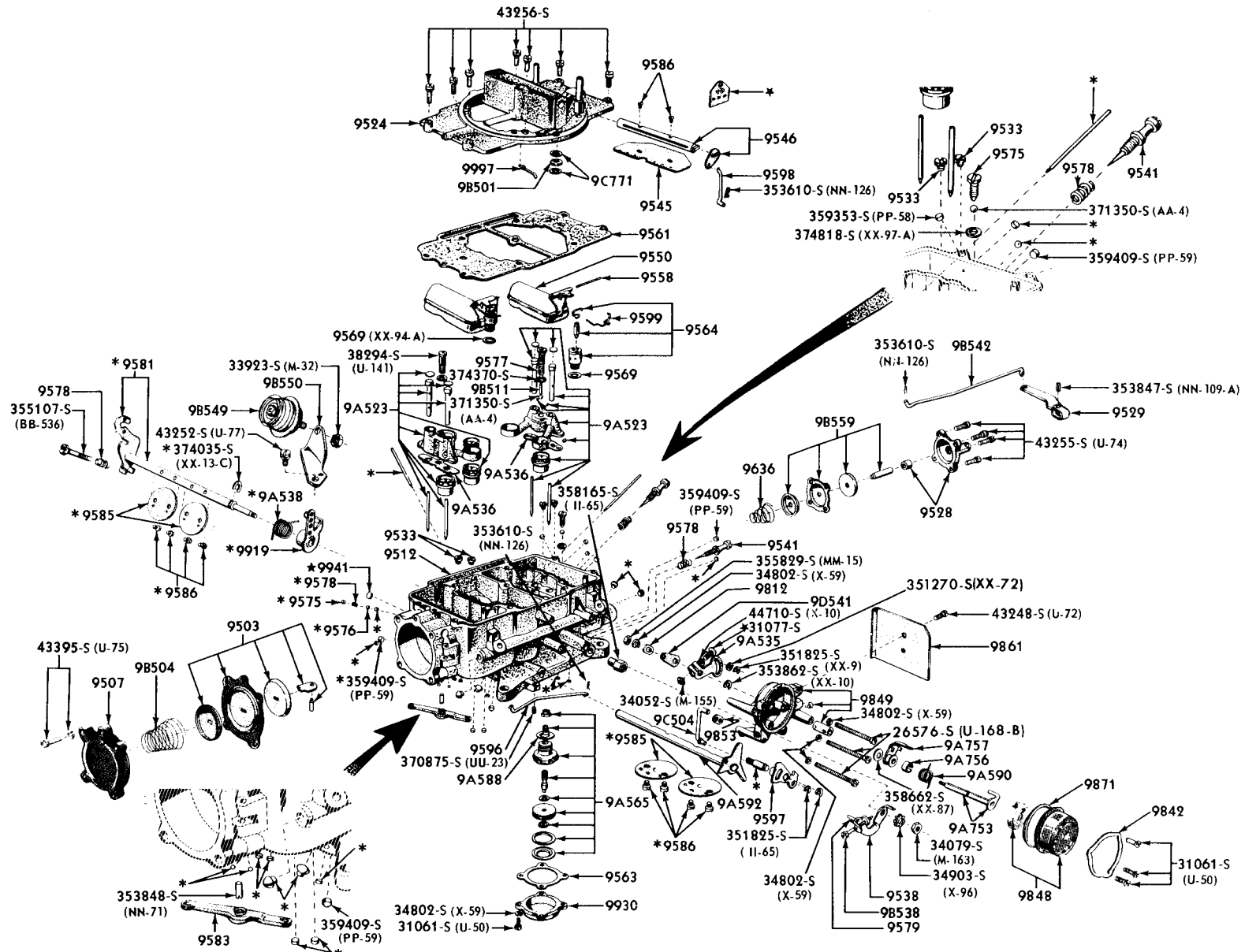
"TYPICAL" VALVE ASSY. (EXHAUST THERMOSTAT CONTROL)-8 CYLINDER (WHEEL TYPE COUNTERWEIGHT)



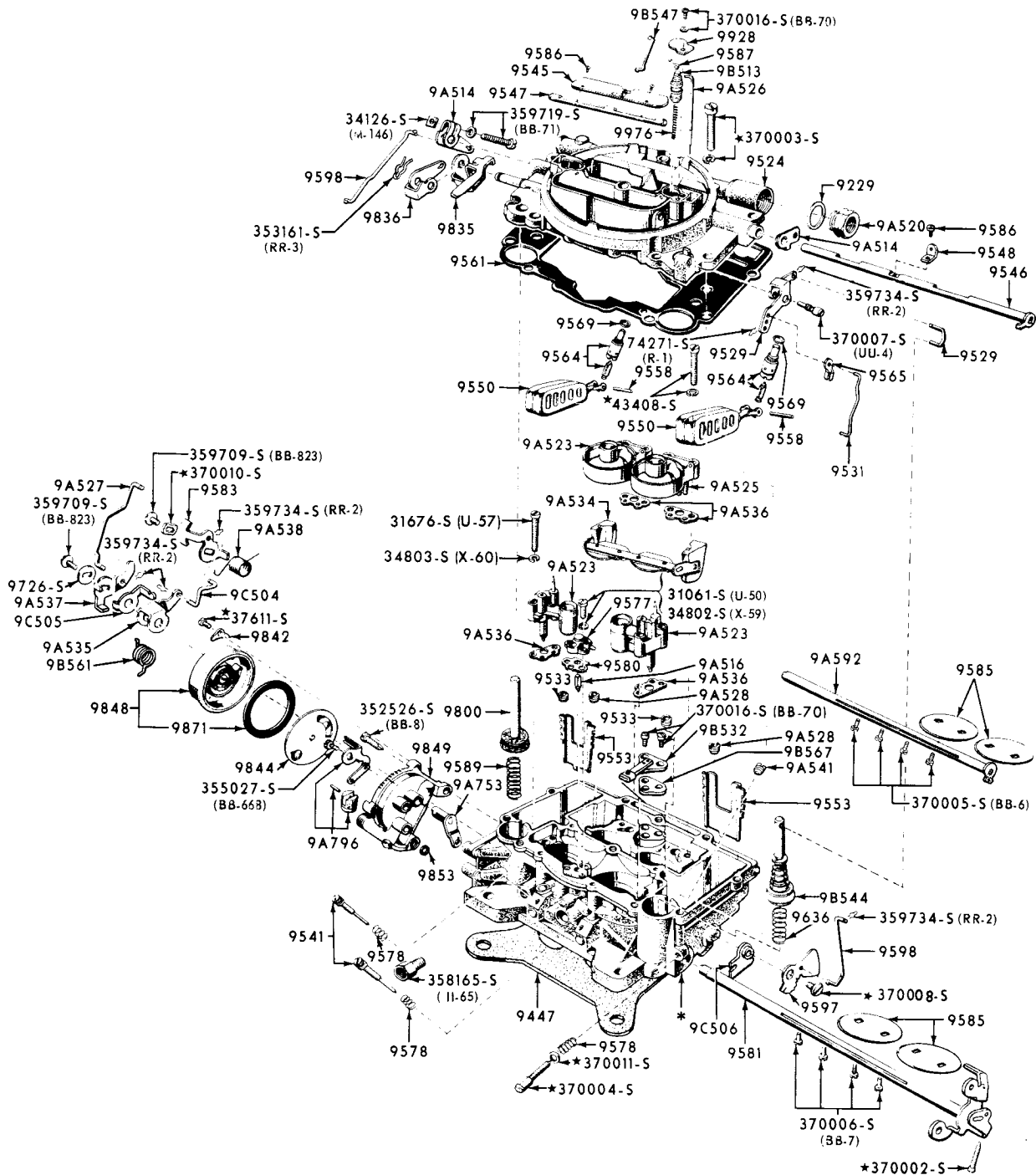
P-3474

"TYPICAL" VALVE ASSY. (EXHAUST THERMOSTAT CONTROL)(ARM TYPE COUNTERWEIGHT)

1960 CARBURETOR (4 BARREL)-8 CYLINDER 352 ENGINE (FORD TYPE)

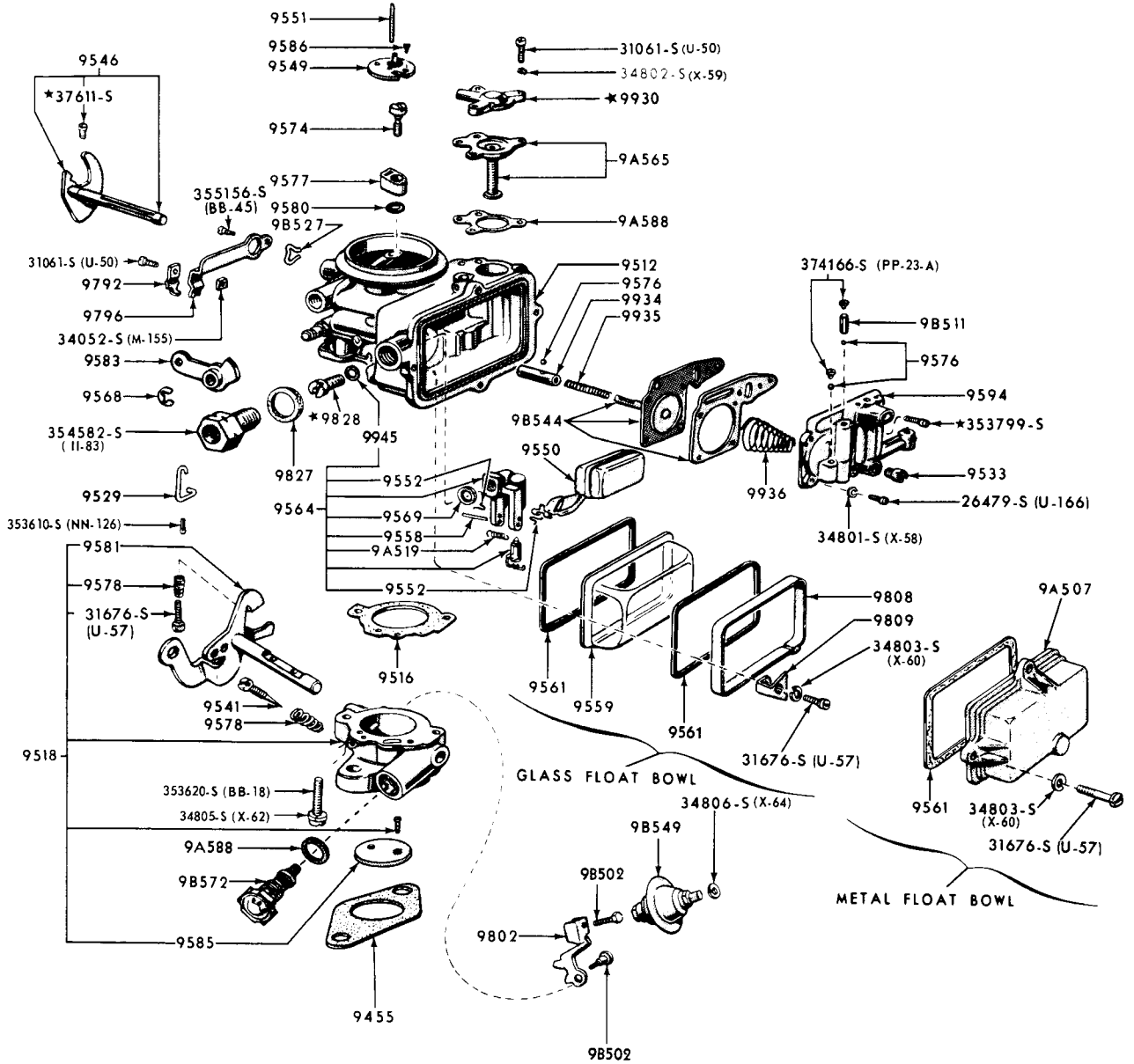


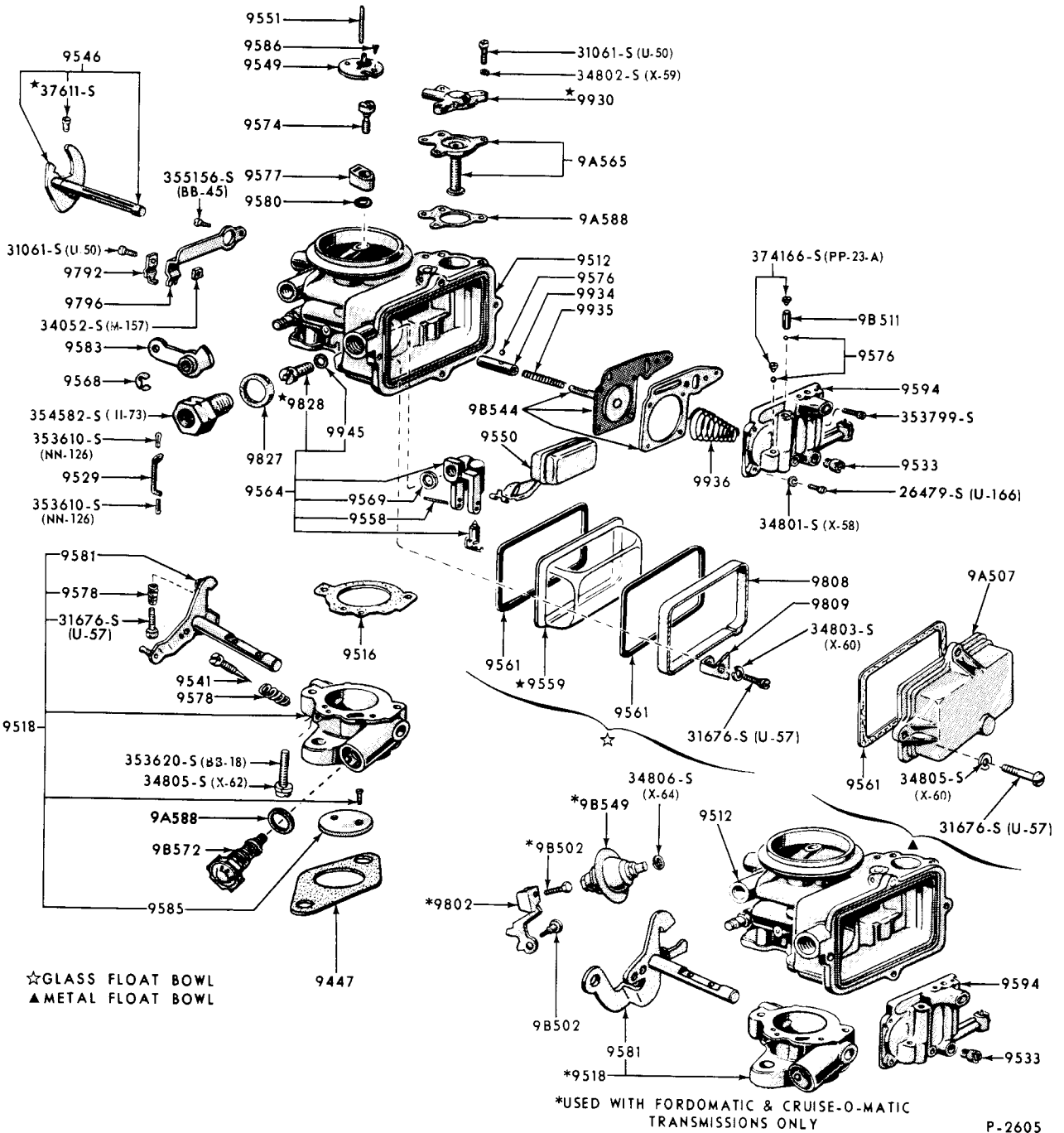
* ALSO SUPPLIED IN 9512 MAIN BODY ASSEMBLY



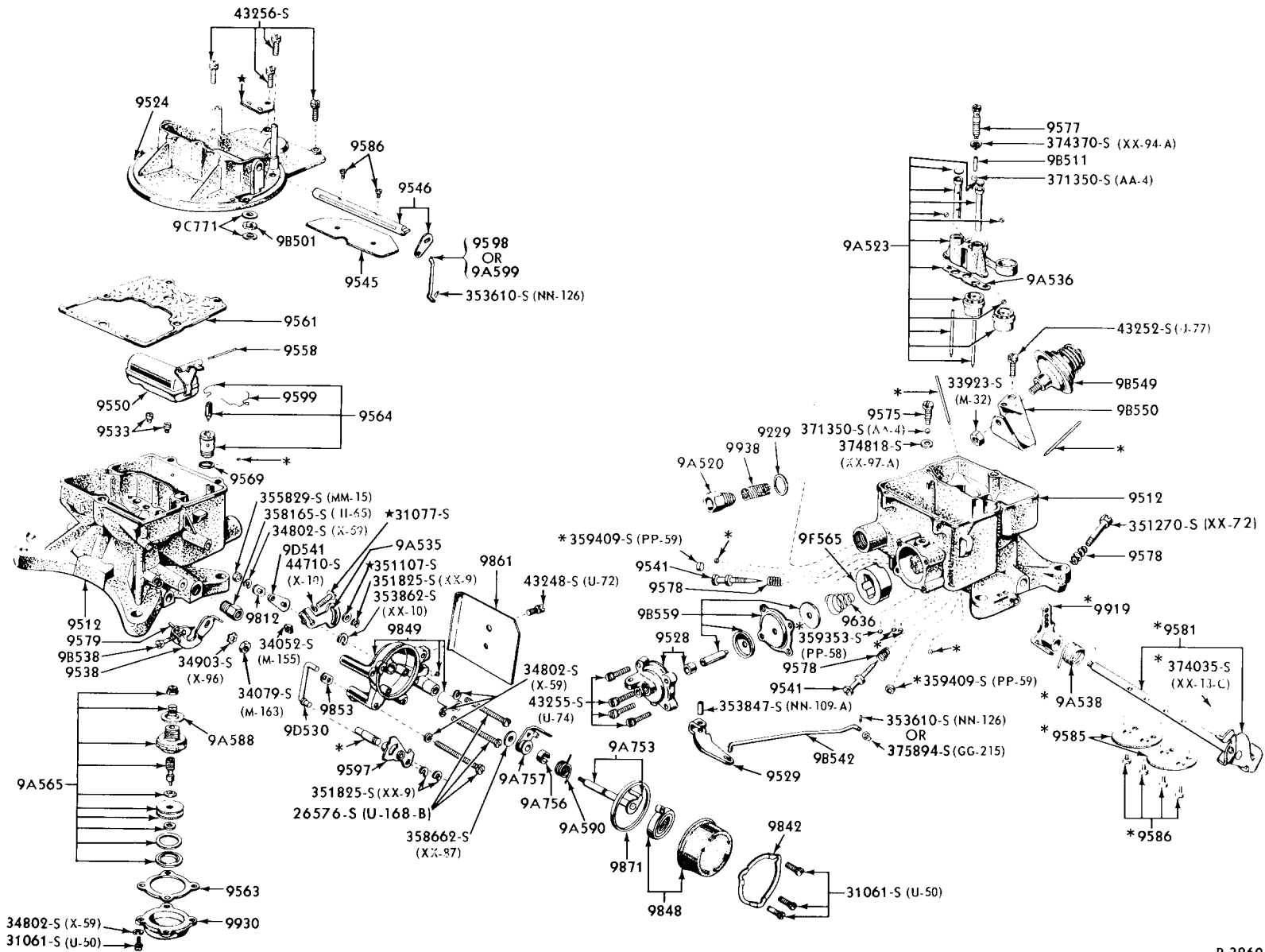
P-3207

1960 CARBURETOR (4 BARREL)-8 CYLINDER 430 ENGINE (THUNDERBIRD)(CARTER TYPE)

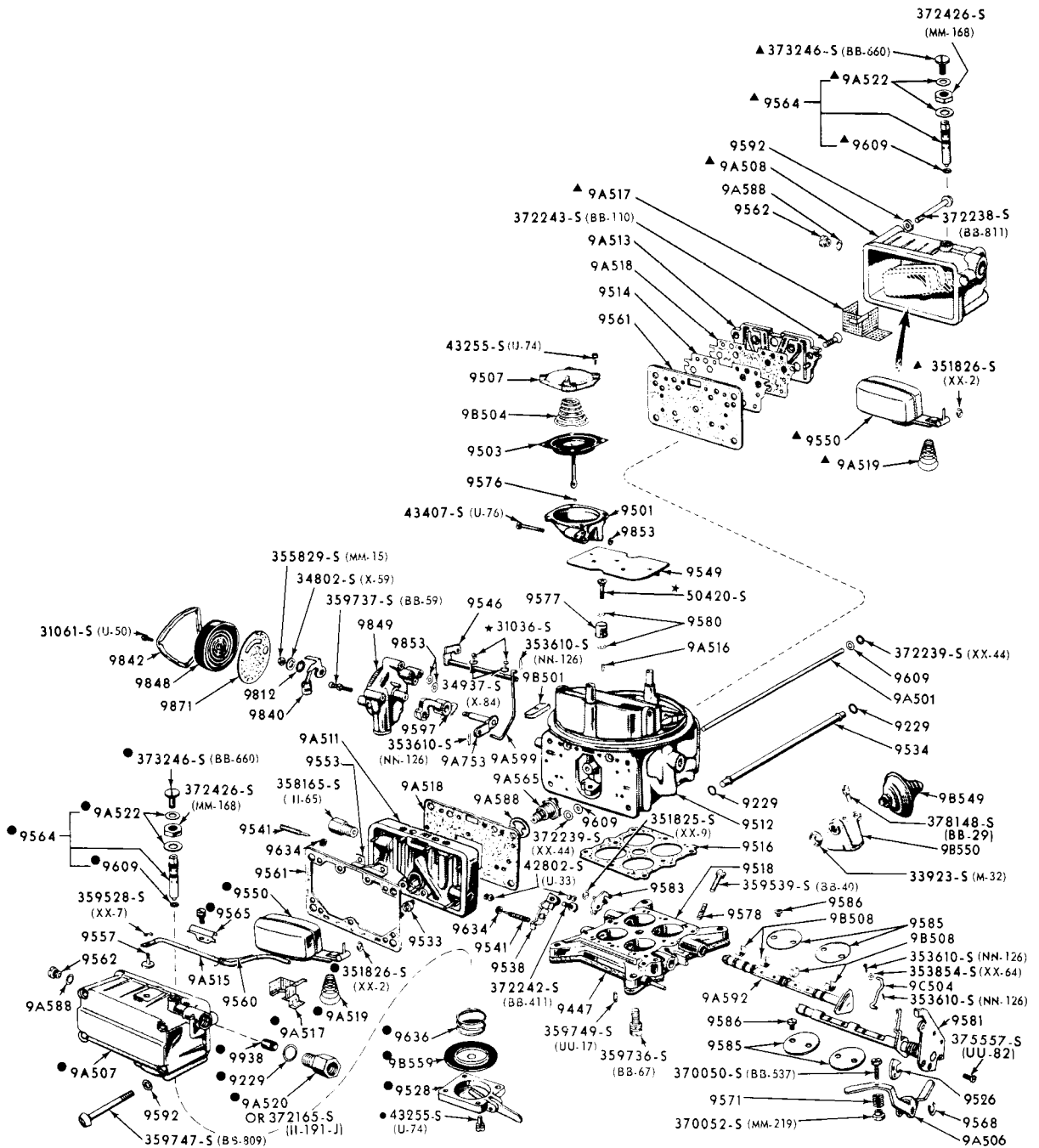




1960/63 CARBURETOR (2 BARREL) - 8 CYLINDER 221, 260, 289, 292, 352 ENGINES (FORD TYPE)



* ALSO SUPPLIED IN 9512 MAIN BODY ASSEMBLY

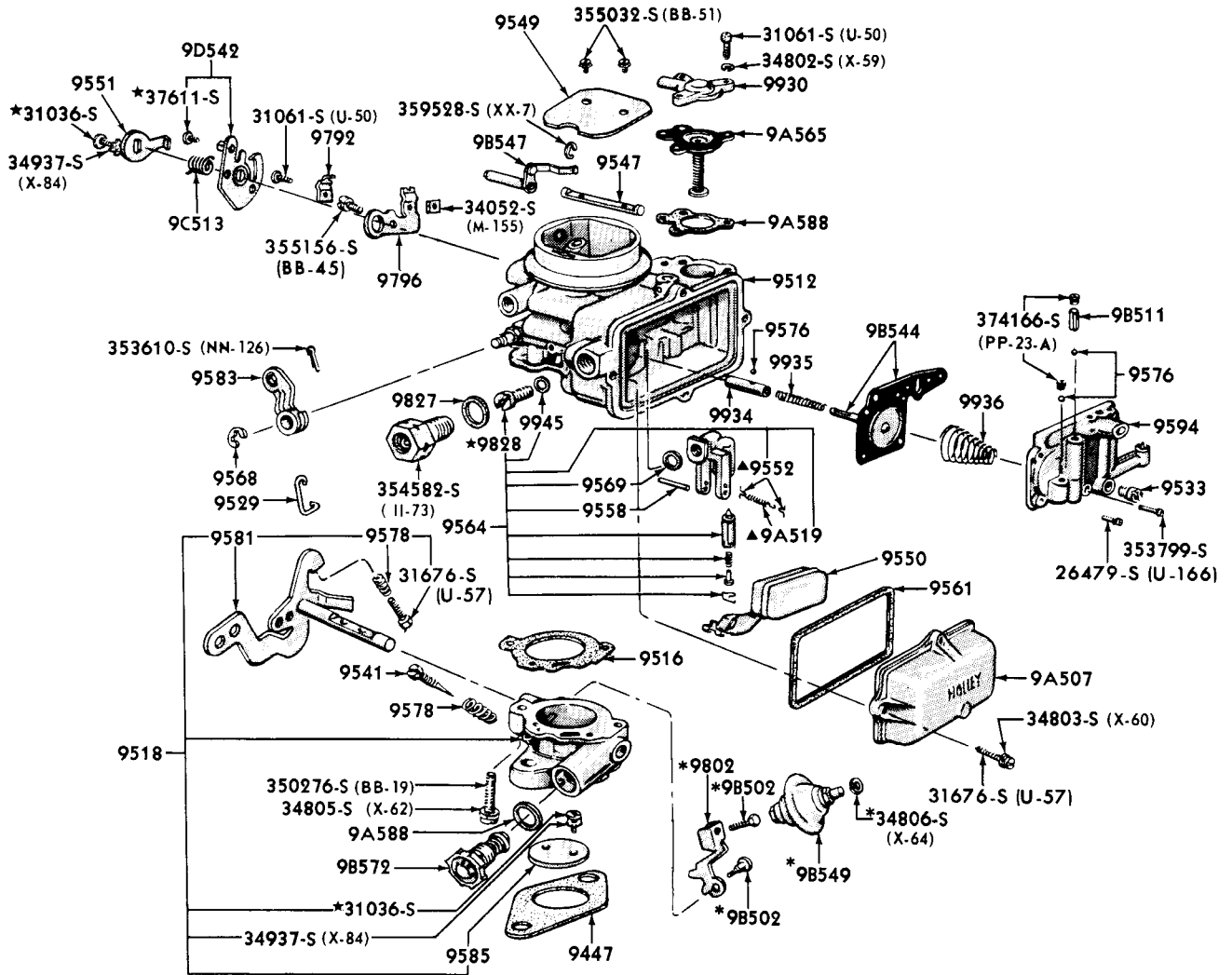


● ALSO SUPPLIED IN B8AZ-9A507-A BOWL AND FLOAT ASS'Y. (COMPLETE)

▲ ALSO SUPPLIED IN B8AZ-9A508-A BOWL AND FLOAT ASS'Y. (COMPLETE)

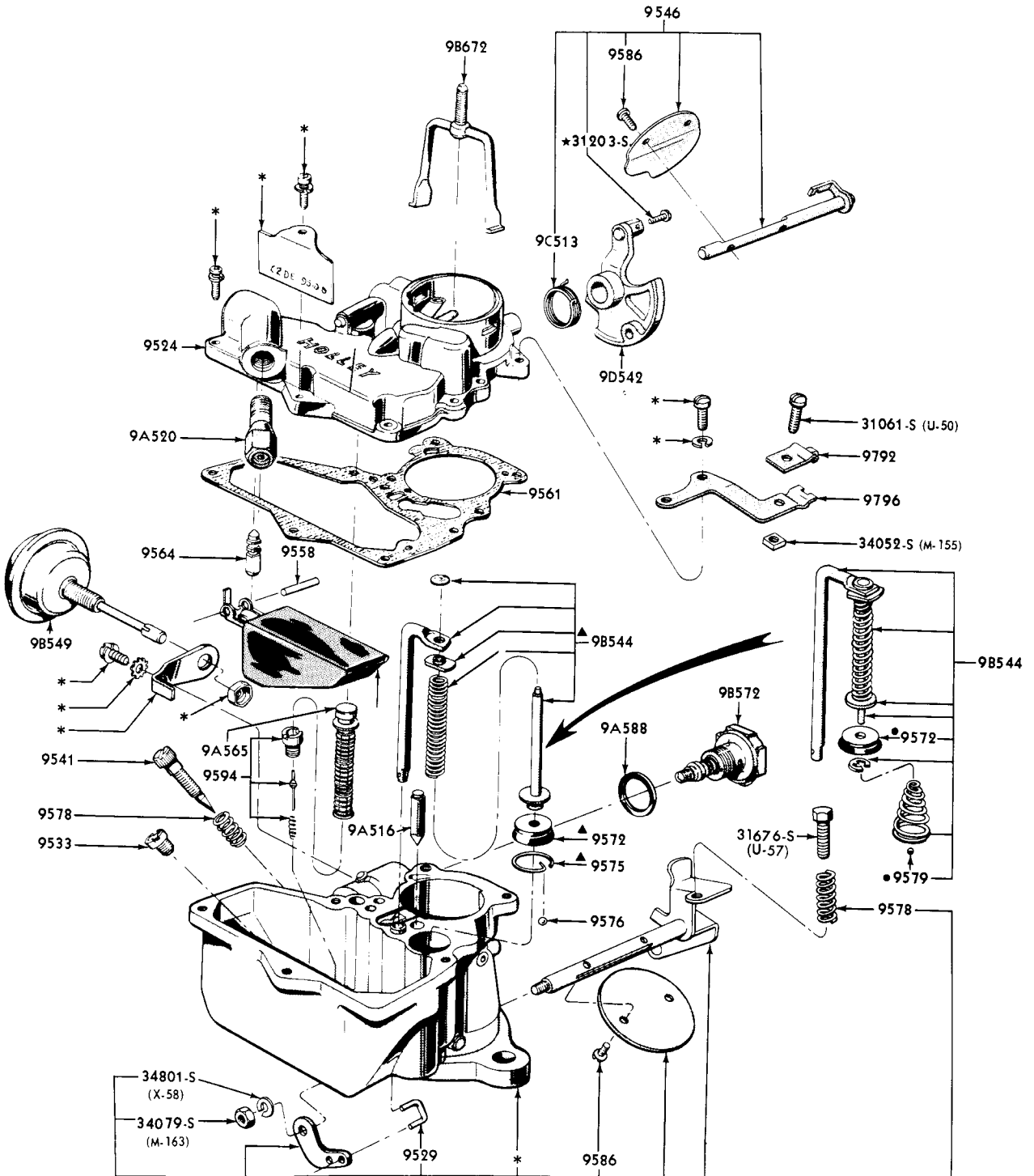
P-3231

1969/ CARBURETOR (4 BARREL)-8 CYL. 352, 390, 406, 427 ENGINES WITH
 ADJ. NEEDLE & SEAT ASSY. -FUEL INLET (HOLLEY TYPE)-TYPICAL



▲ NOT USED IN FALCON 170 CU. IN. CARBURETOR
 * USED WITH FORDOMATIC 2 SPEED TRANSMISSION ONLY

P-3592

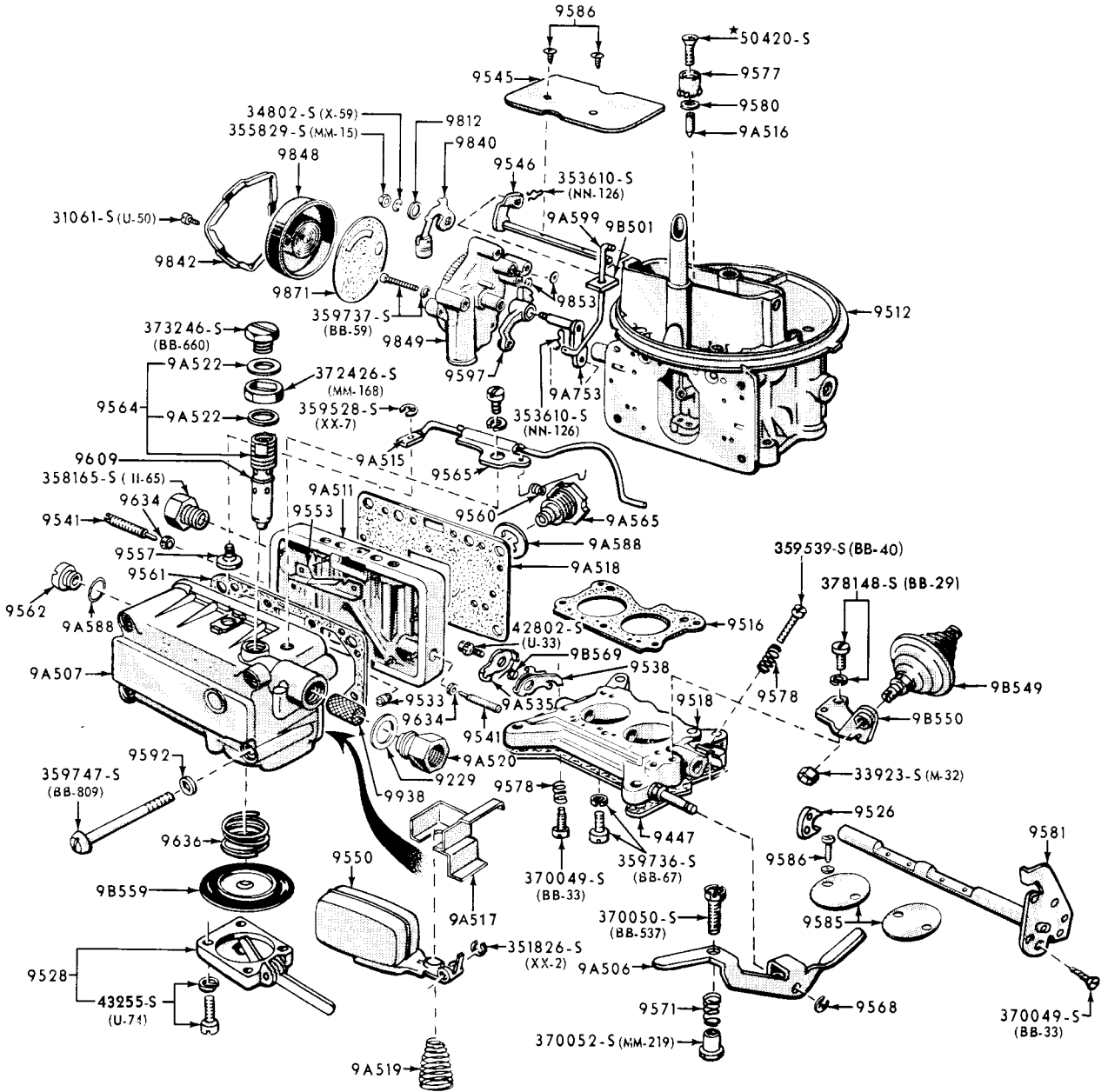


* SUPPLIED IN 9510 CARBURETOR ASSEMBLY ONLY

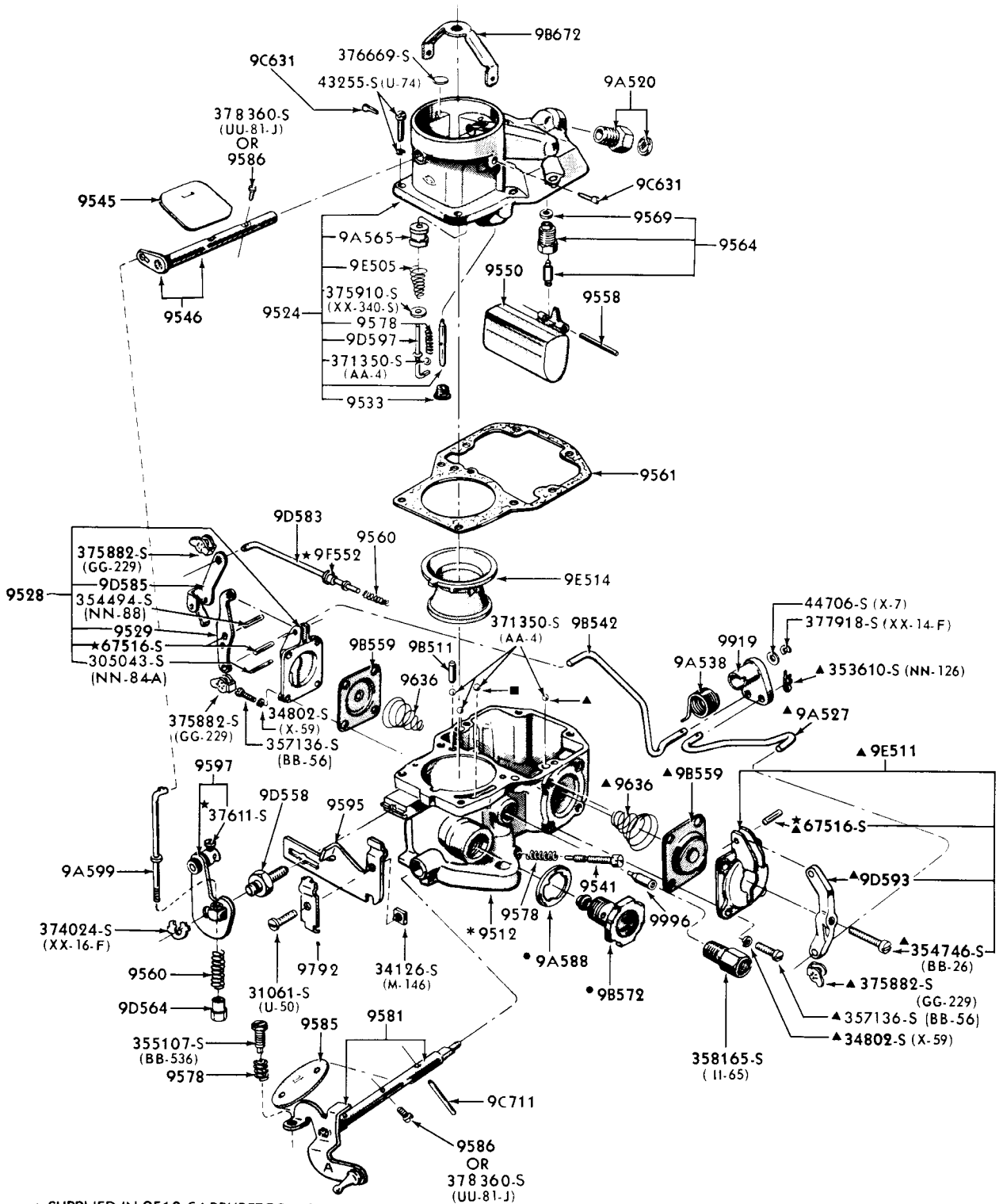
▲ USED TO FEB. 15, 1962

● USED FROM FEB. 15, 1962

9581

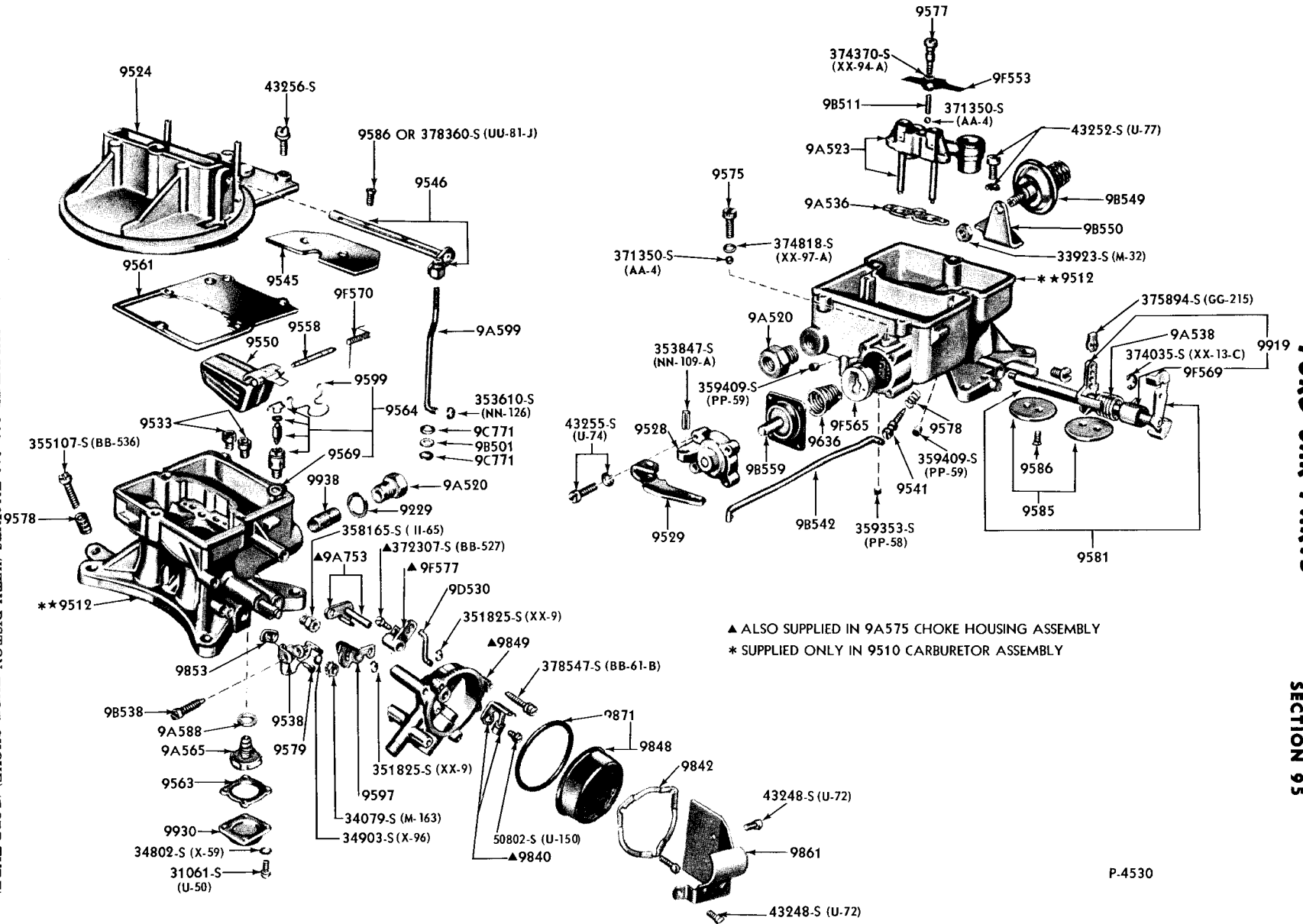


P-2862

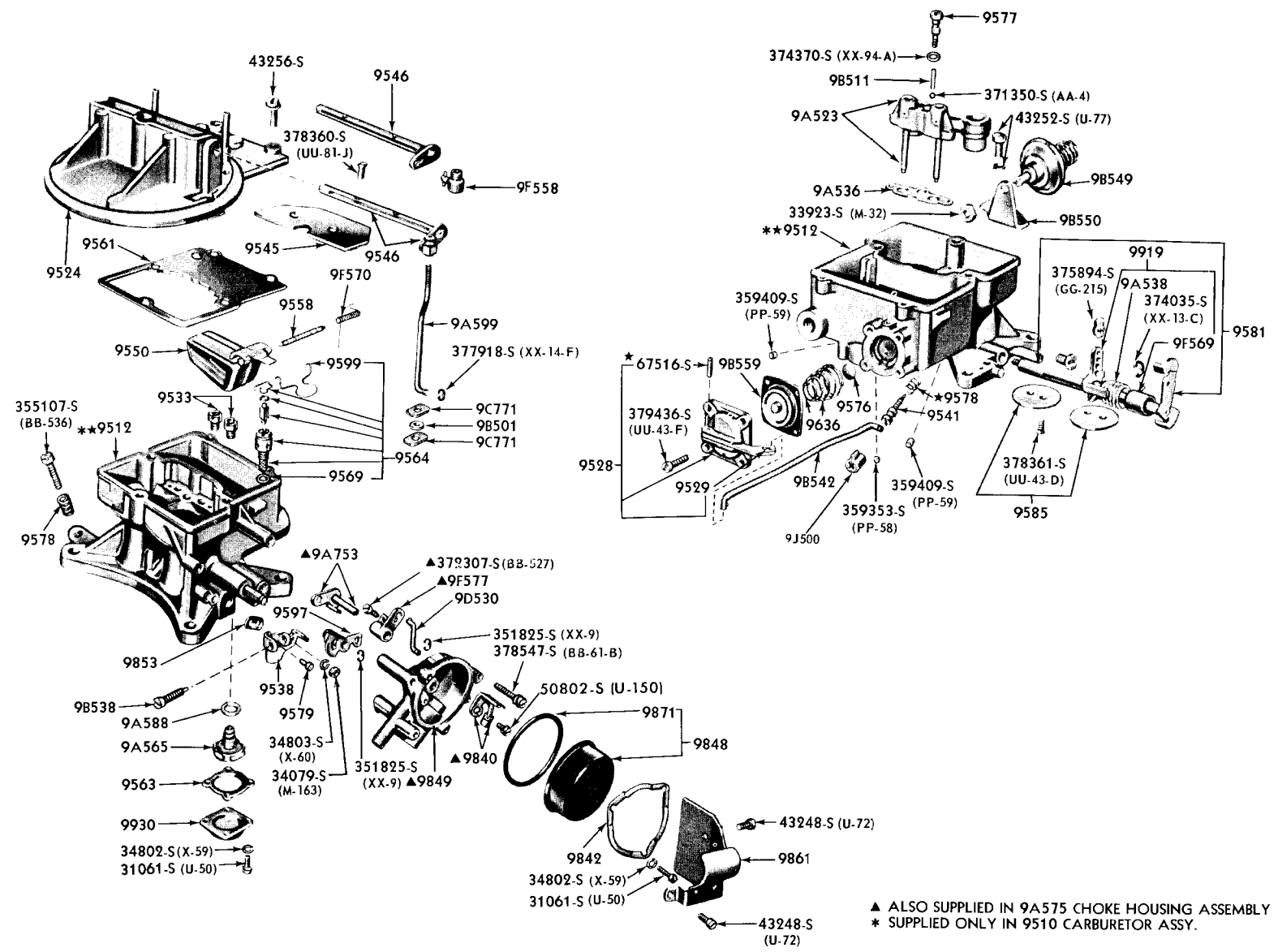


- * SUPPLIED IN 9510 CARBURETOR ASSEMBLY ONLY
- NOT USED ON ECONOMY CARBURETOR (TAXI)
- ▲ USED WITH AUTOMATIC TRANSMISSION
- USED WITH 223 PARCEL DELIVERY AND 262 TRUCK

P-4008



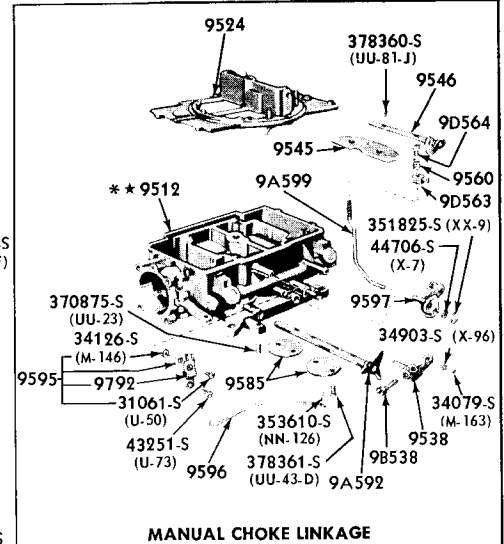
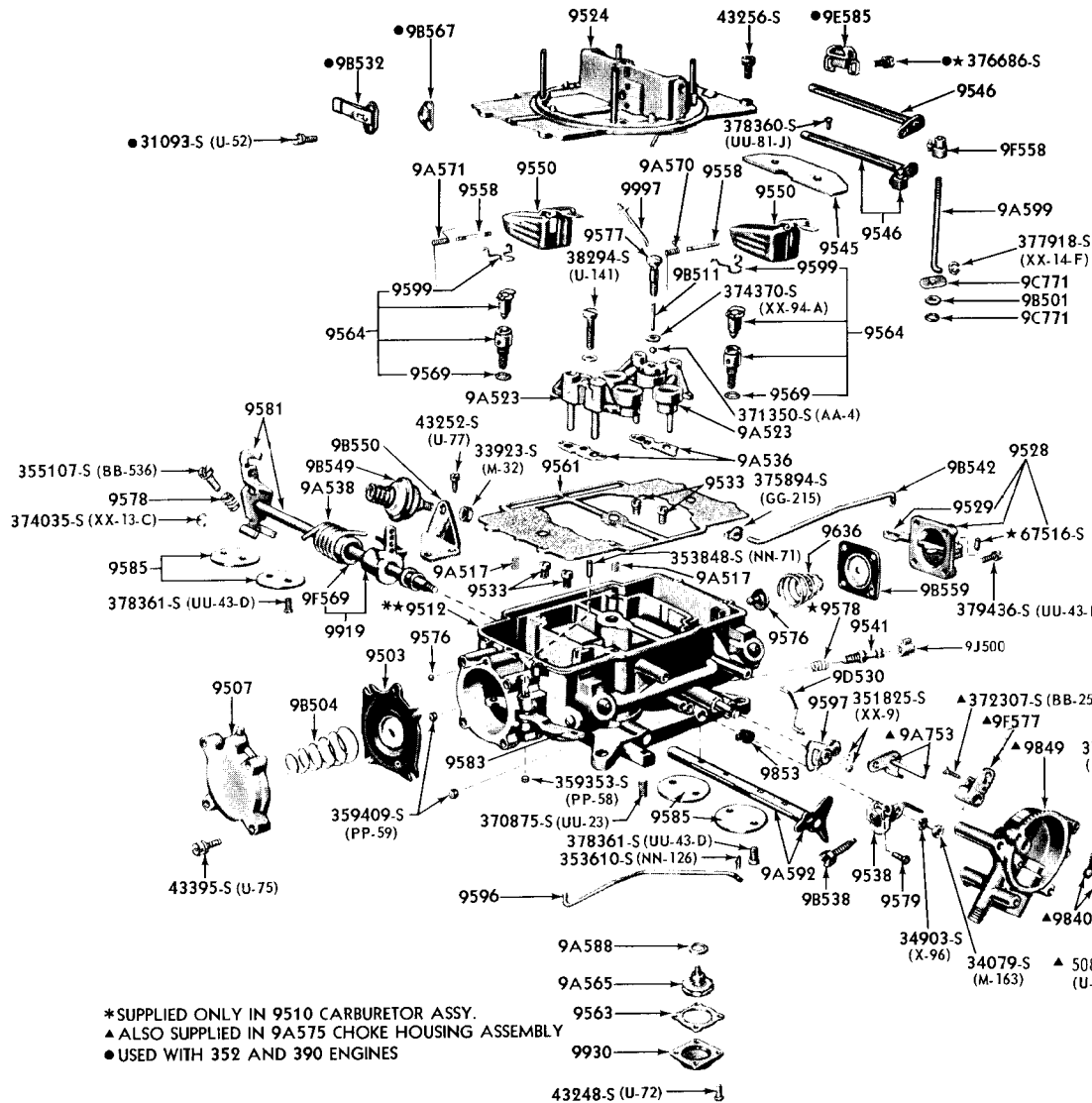
P.4530



1964 / CARBURETOR (2 BARREL)-8 CYLINDER 260, 289, 390 ENGINES
(WITH PISTON TYPE CHOKE & ACCELERATOR PUMP CHECK VALVE) (FORD TYPE)

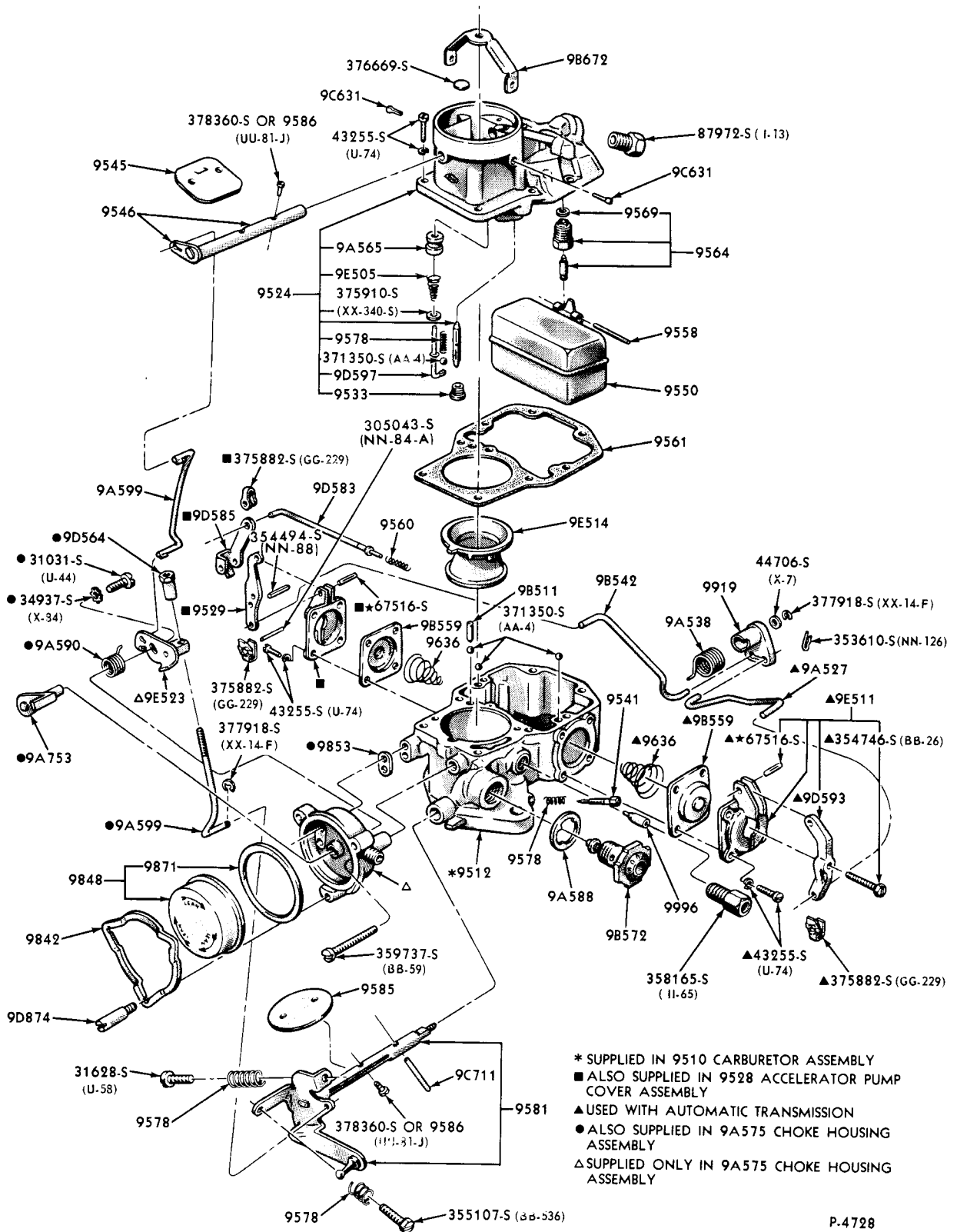
▲ ALSO SUPPLIED IN 9A575 CHOKE HOUSING ASSEMBLY
* SUPPLIED ONLY IN 9510 CARBURETOR ASSY.

1964/ CARBURETOR (4 BARREL)-8 CYLINDER 289, 352, 390 ENGINES
(WITH PISTON TYPE CHOKE & ACCELERATOR PUMP CHECK VALVE)(FORD TYPE)



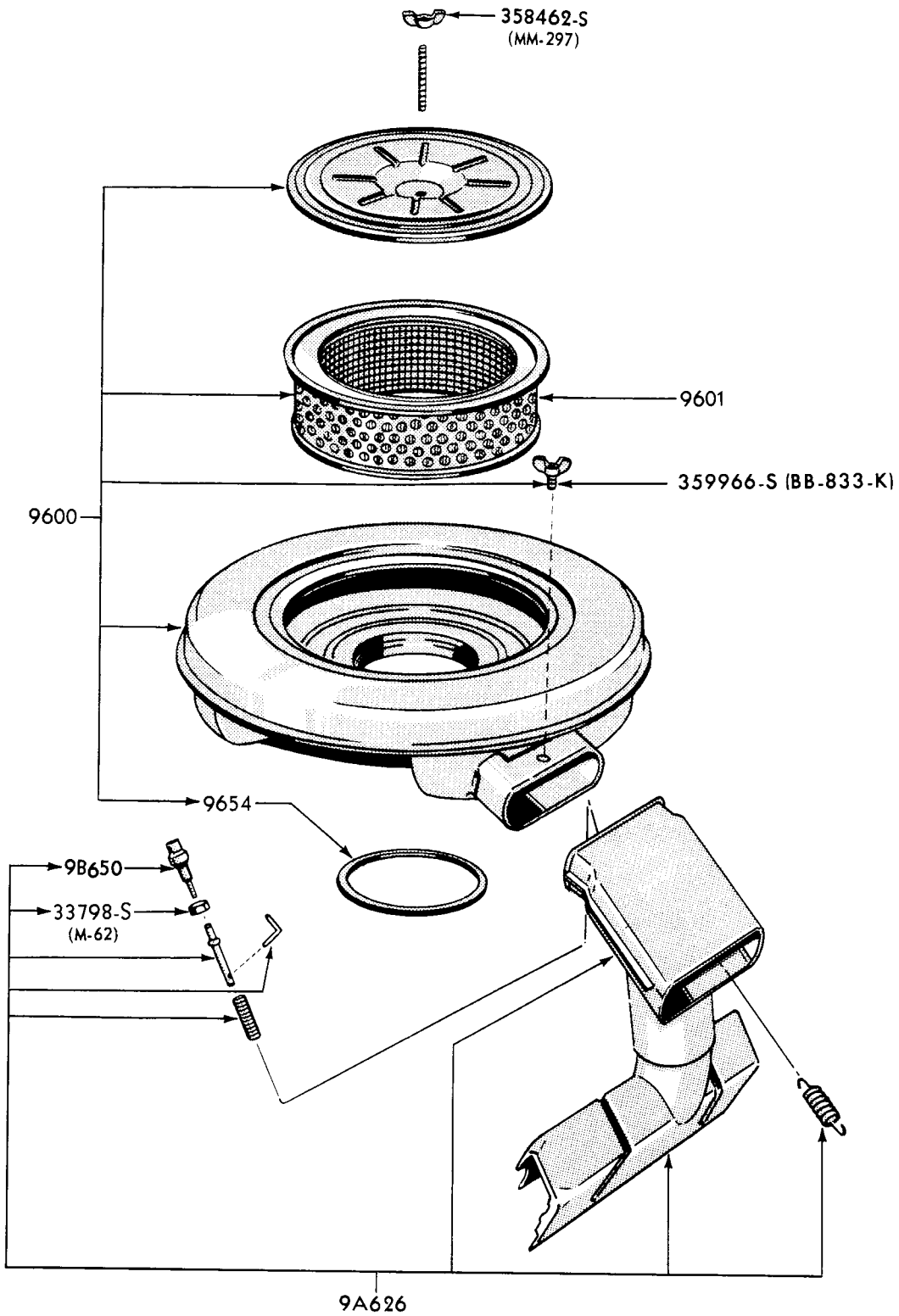
- * SUPPLIED ONLY IN 9510 CARBURETOR ASSY.
- ▲ ALSO SUPPLIED IN 9A575 CHOKE HOUSING ASSEMBLY
- USED WITH 352 AND 390 ENGINES

FORD CAR PARTS
ILLUSTRATION SECTION 95

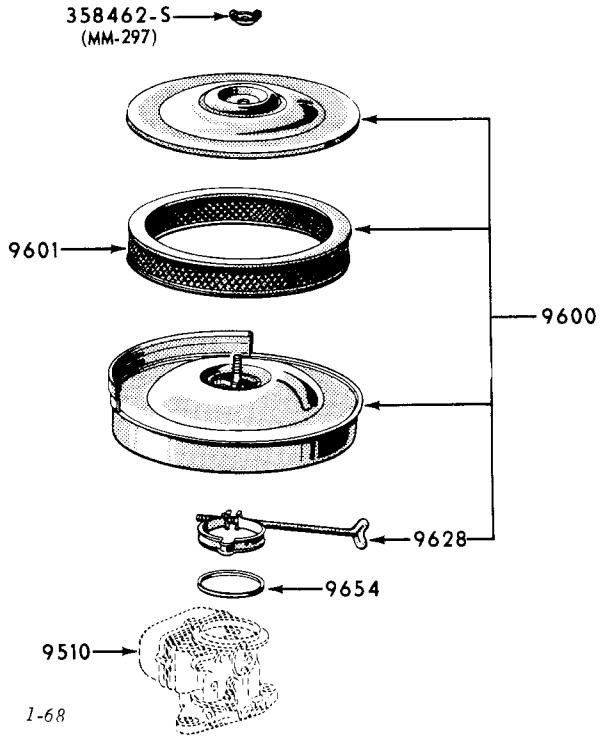


* SUPPLIED IN 9510 CARBURETOR ASSEMBLY
 ■ ALSO SUPPLIED IN 9528 ACCELERATOR PUMP COVER ASSEMBLY
 ▲ USED WITH AUTOMATIC TRANSMISSION
 ● ALSO SUPPLIED IN 9A575 CHOKE HOUSING ASSEMBLY
 △ SUPPLIED ONLY IN 9A575 CHOKE HOUSING ASSEMBLY

1963/ CARBURETOR (6 CYLINDER 170, 200 ENGINES)(FORD TYPE)

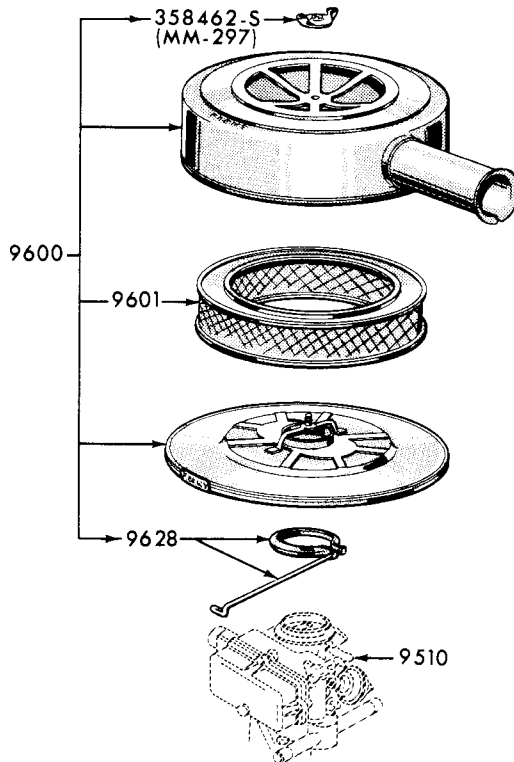


P-2793



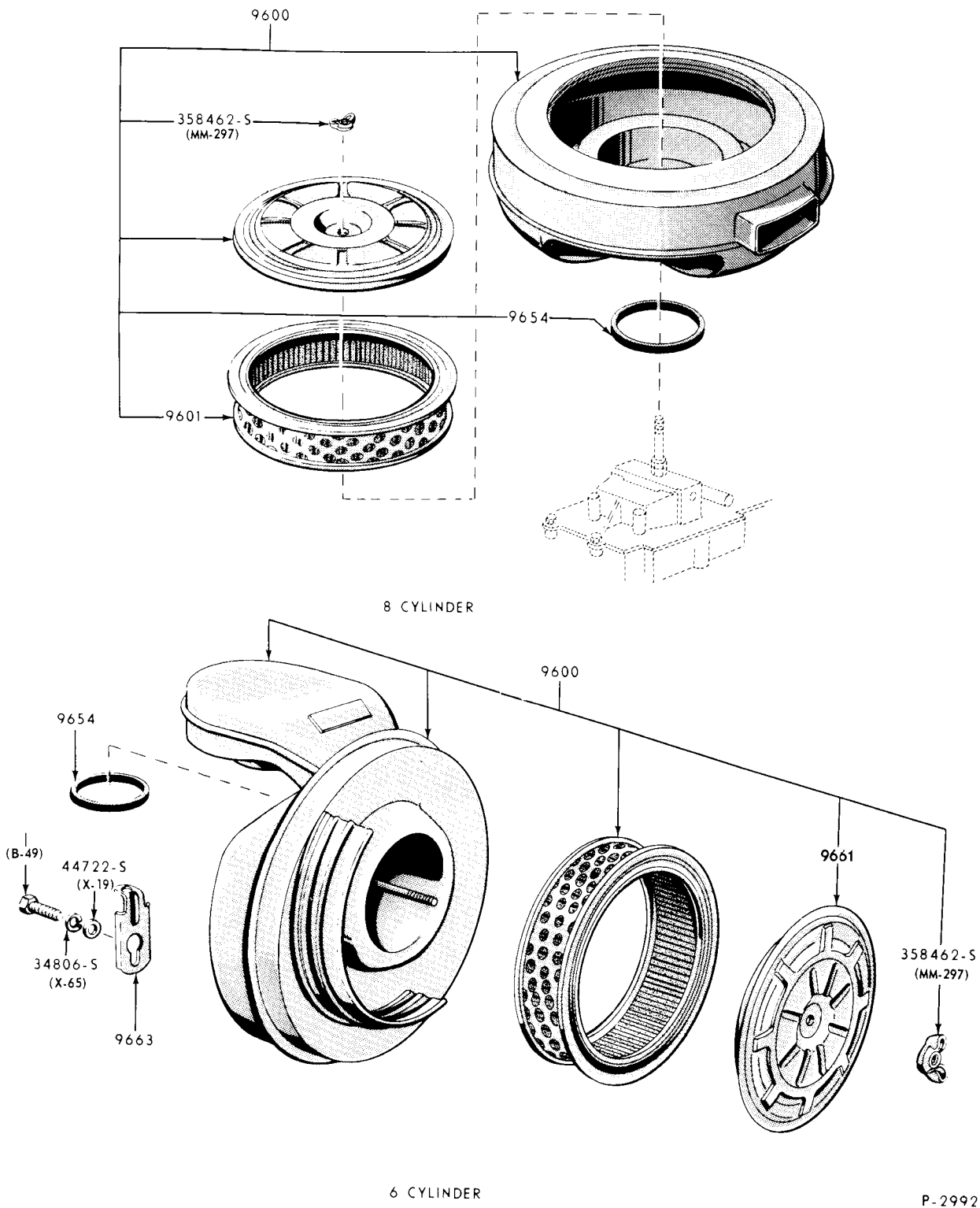
P-3097

1960 AIR CLEANER (CARBURETOR)(FALCON)

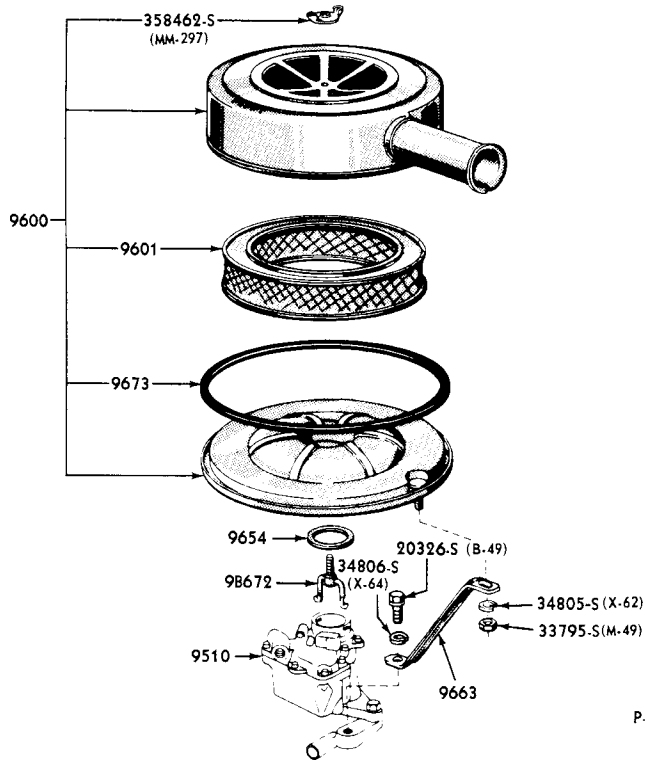


P-3301

1961 AIR CLEANER (CARBURETOR)(FALCON)

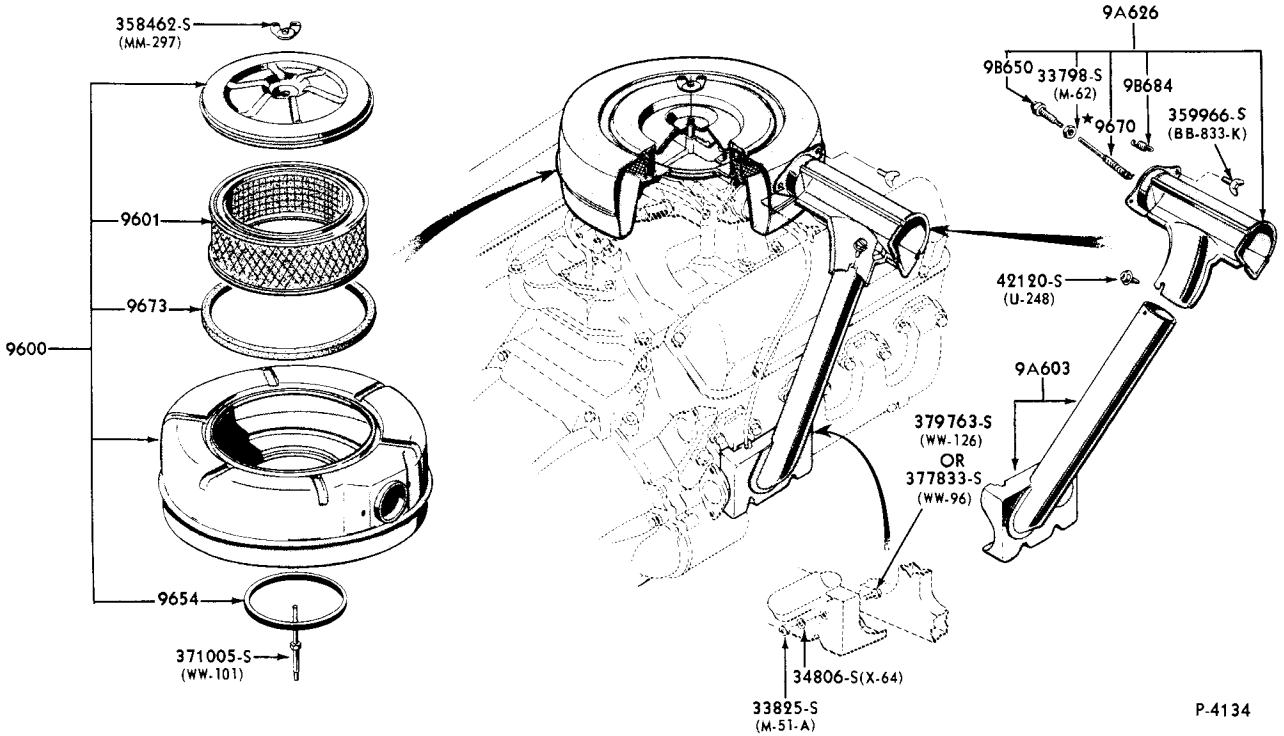


1960/62 AIR CLEANER (CARBURETOR)(6 & 8 CYLINDER)-FORD
1962 AIR CLEANER (CARBURETOR)(8 CYLINDER)-FAIRLANE



P-3737

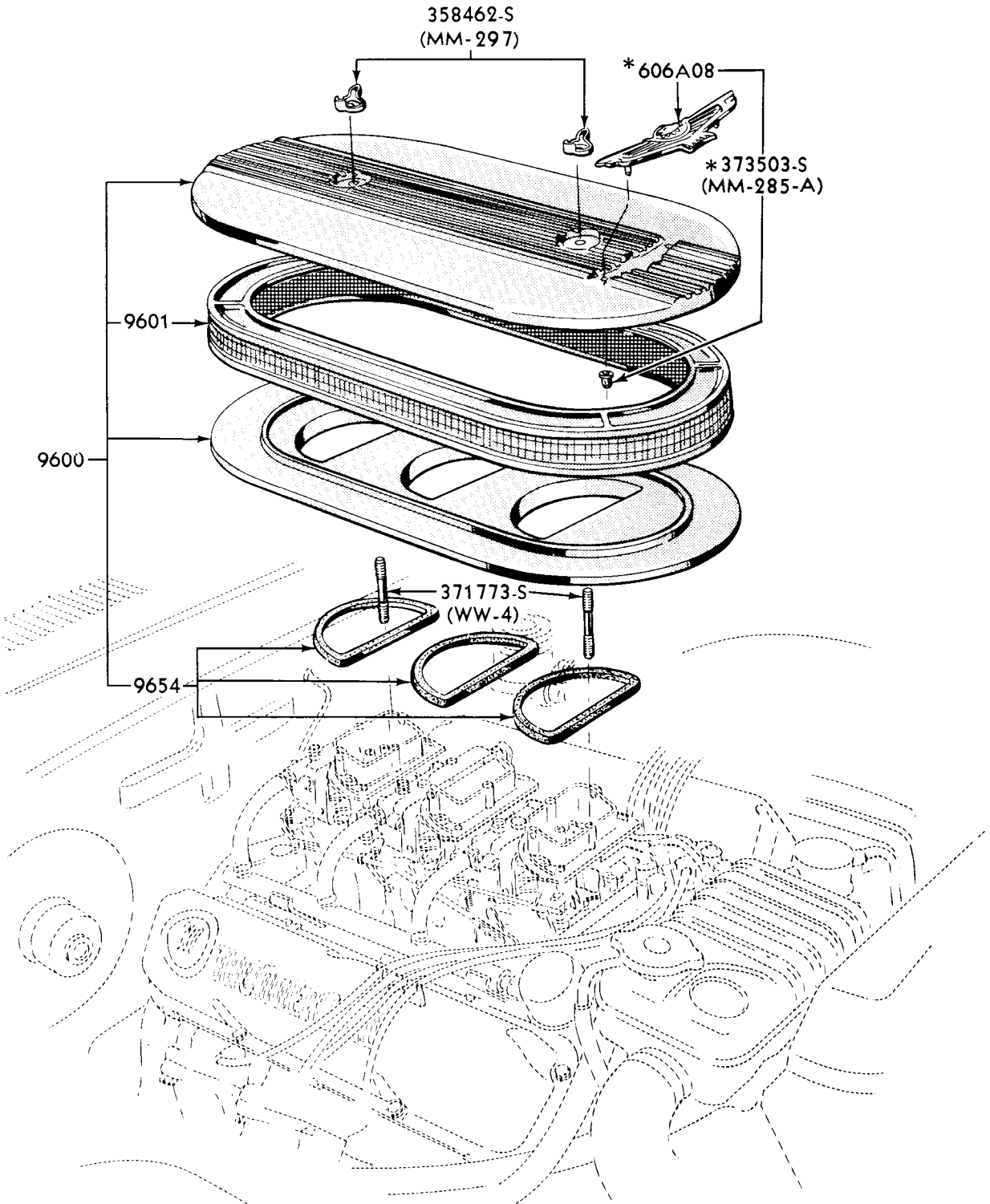
1962/ AIR CLEANER (CARBURETOR)(6 CYLINDER)-FALCON & FAIRLANE
 1963/64 AIR CLEANER (CARBURETOR)(6 CYLINDER)-FORD



P-4134

1963/ AIR CLEANER (CARBURETOR) & RELATED PARTS (8 CYLINDER 221, 260, 289 ENGINES)-FORD, FAIRLANE, FALCON

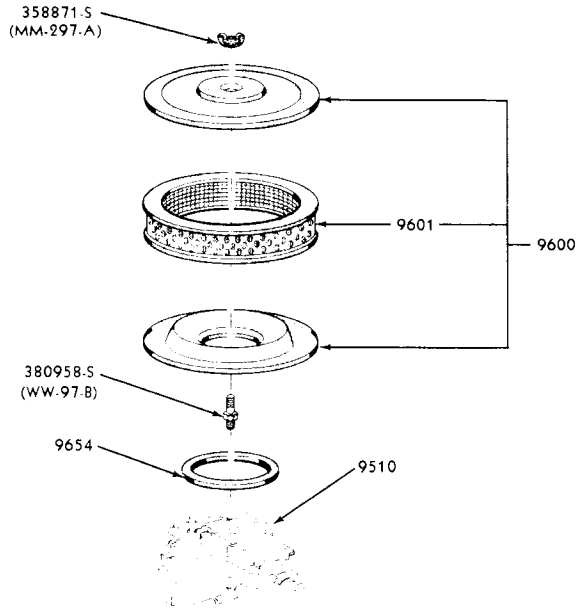
FORD CAR PARTS



*REFER TO GROUP 9600

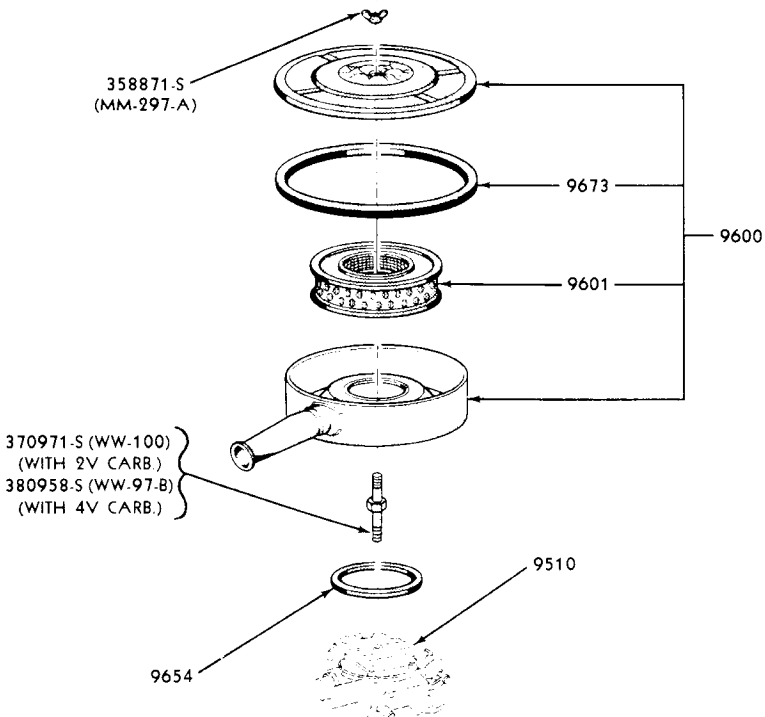
P-3828

1961/63 AIR CLEANER FOR THREE 2 BARREL CARBURETORS
(8 CYLINDER 390, 406 ENGINES)-FORD & THUNDERBIRD



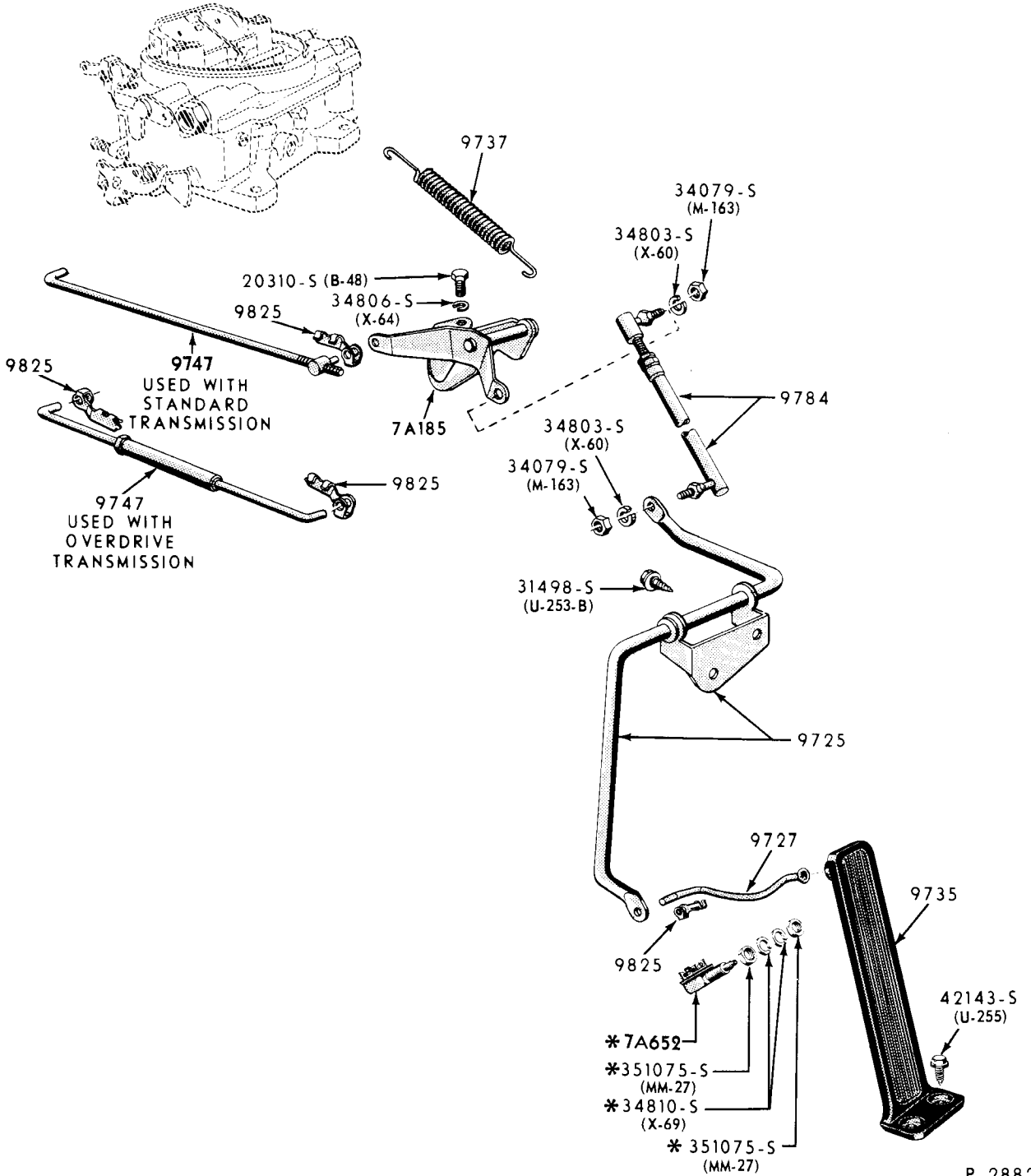
P-5784

AIR CLEANER (CARBURETOR)-8 CYLINDER
 1963 / 289-4V HIGH PERFORMANCE ENGINE-FAIRLANE, MUSTANG



P-5783

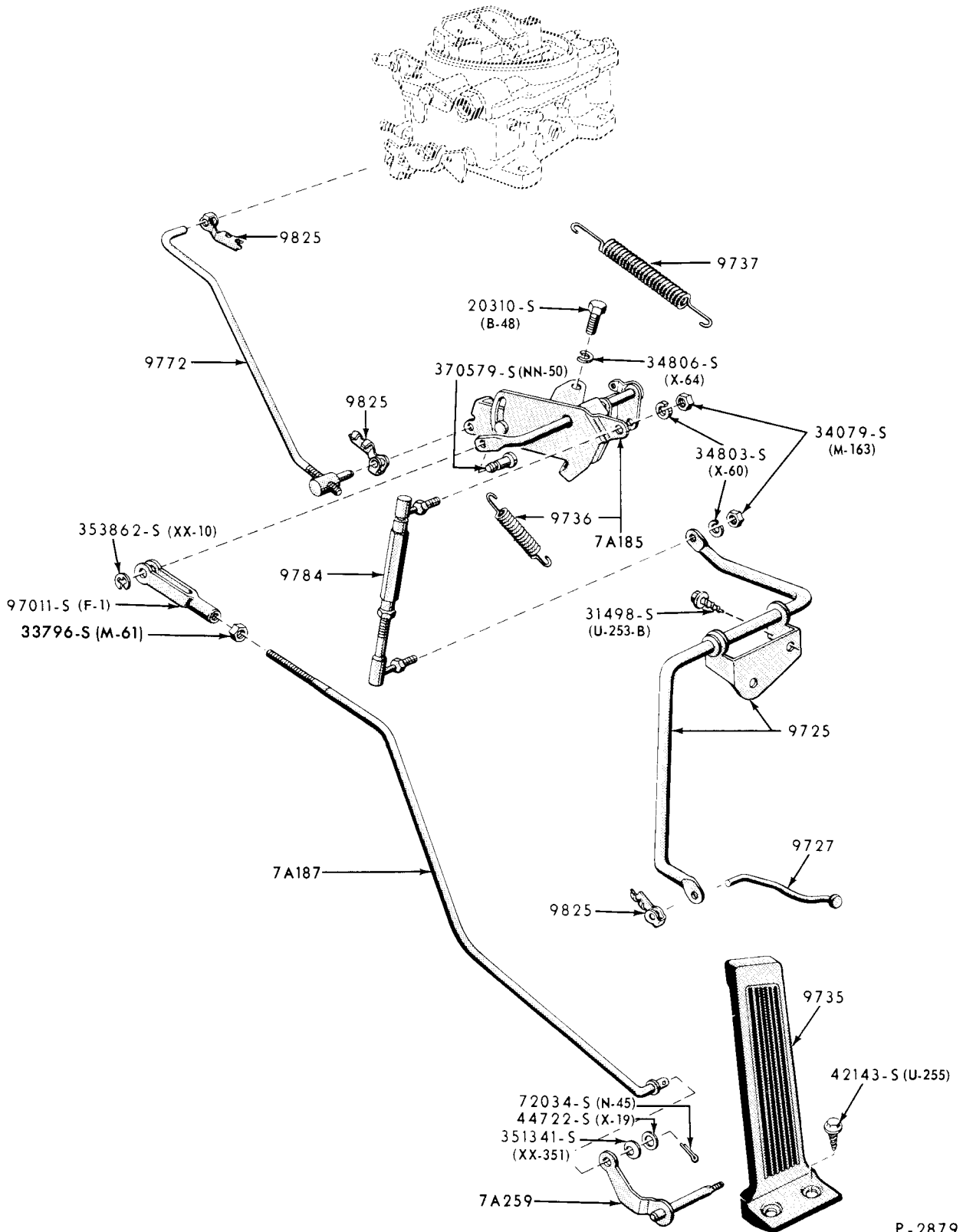
AIR CLEANER (CARBURETOR)-8 CYLINDER
 1964 / 352-4V, 390-2V, 390-4V ENGINES-FORD 1964 / 390-4V POLICE INTERCEPTOR ENGINE-FORD
 1964 / 390-4V ENGINE-THUNDERBIRD



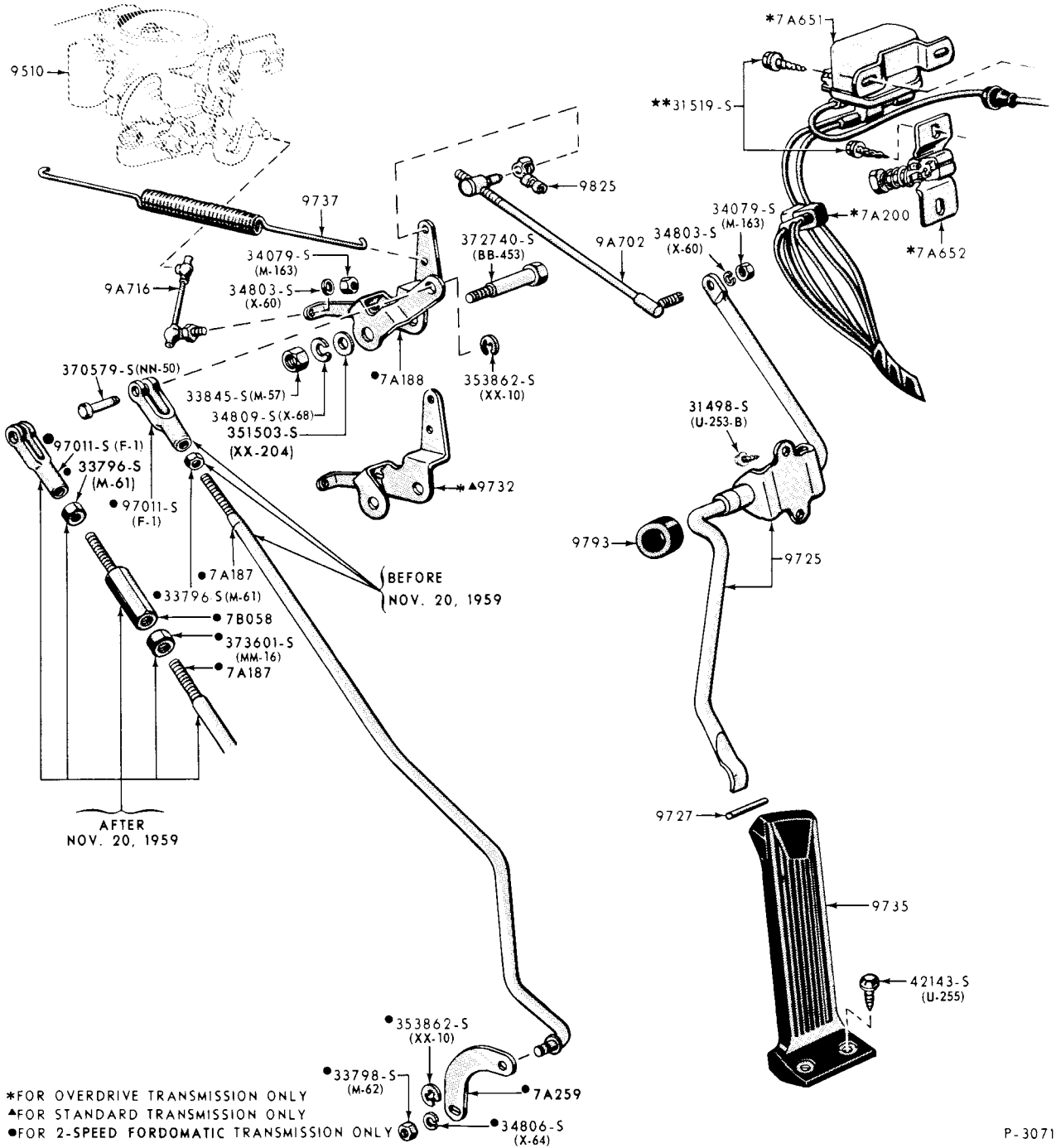
* USED WITH OVERDRIVE TRANSMISSION

P-2882

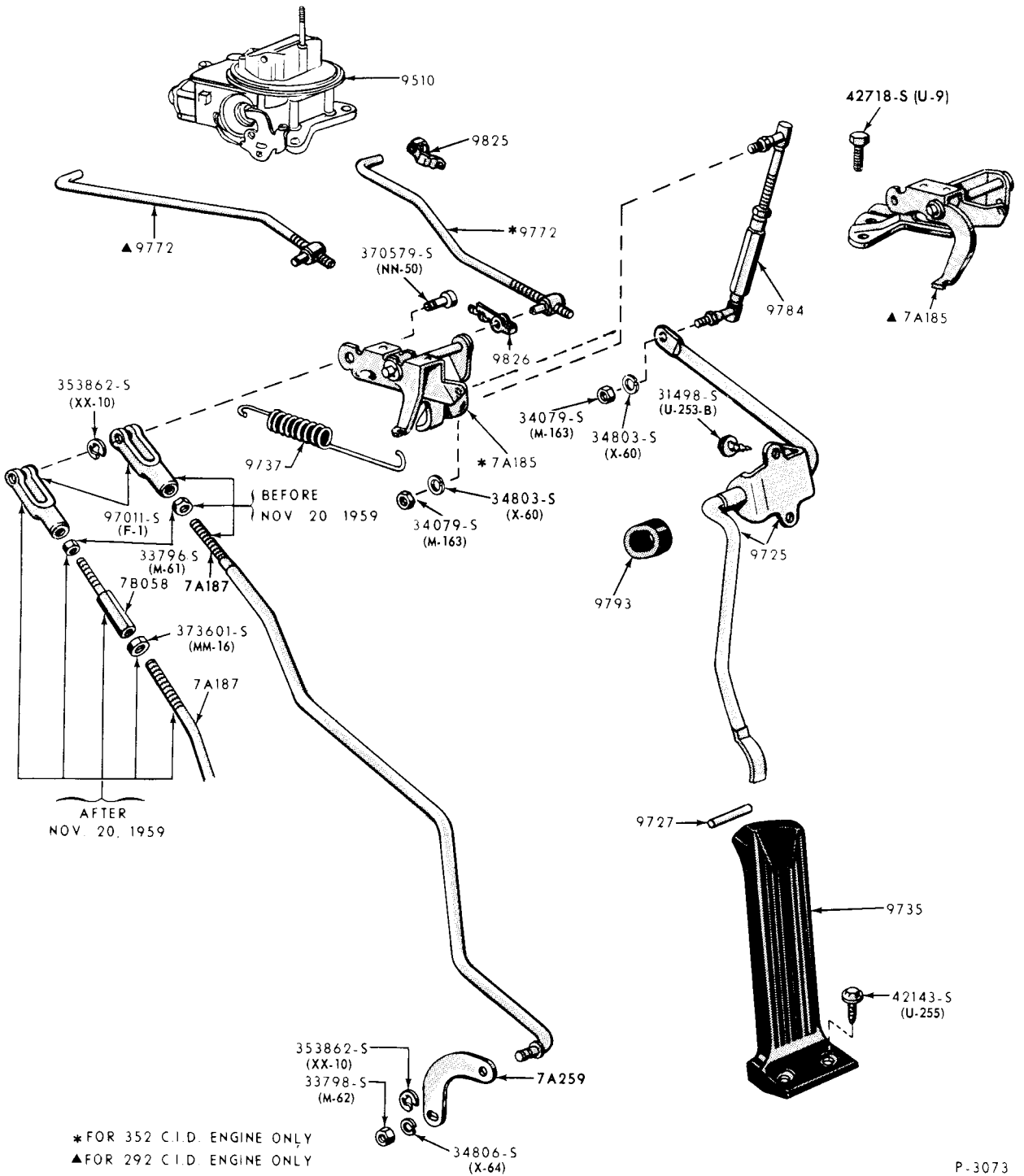
ACCELERATOR LINKAGE
1960 THUNDERBIRD (8 CYLINDER 352 ENGINE)-MANUAL & O/D TRANSMISSION



P-2879

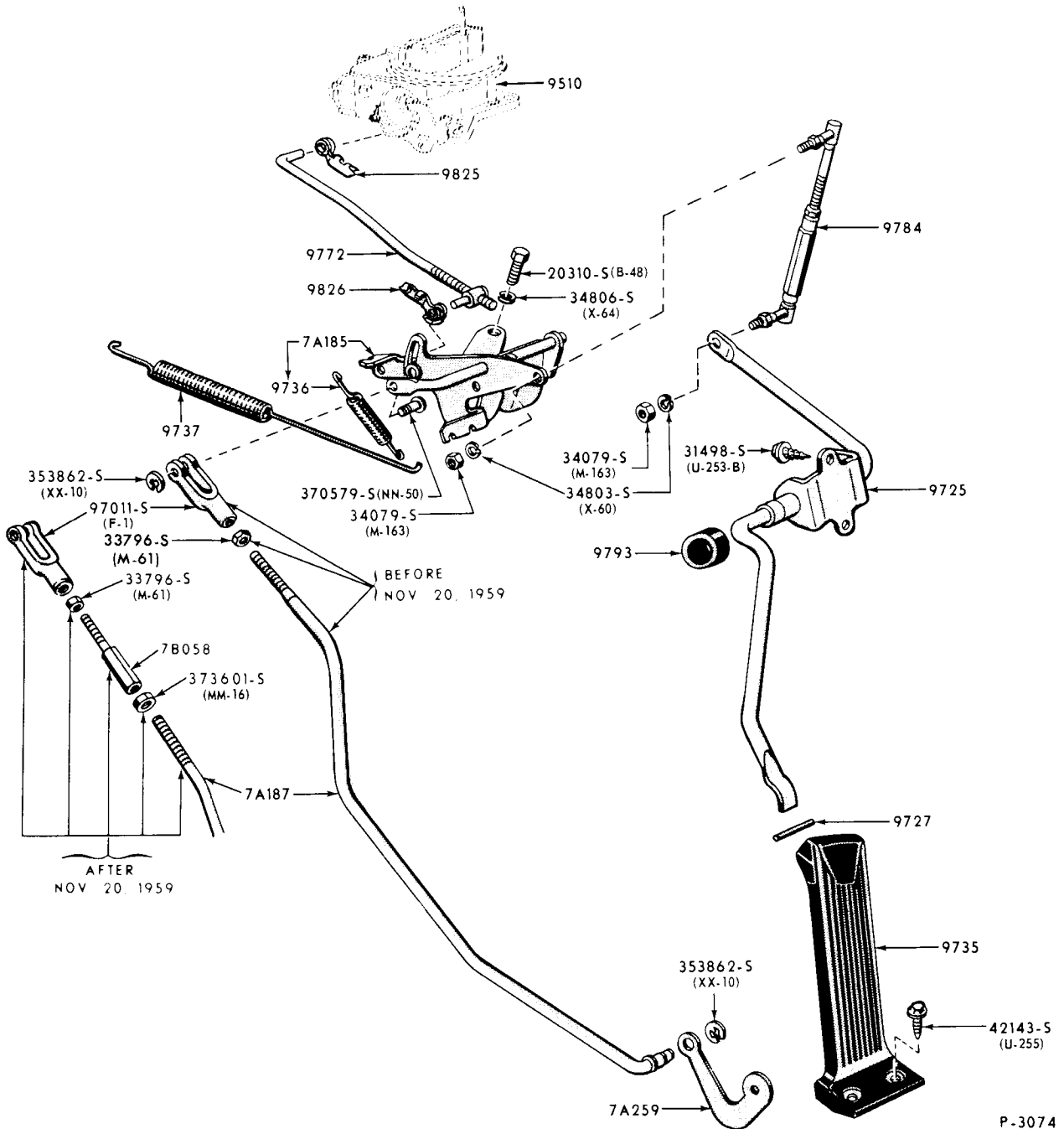


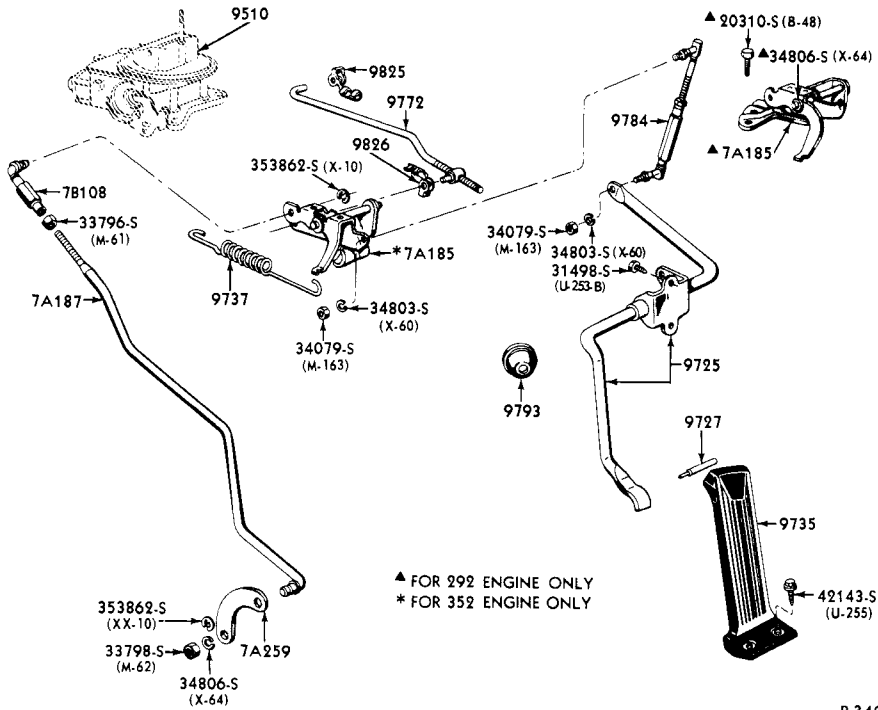
*FOR OVERDRIVE TRANSMISSION ONLY
 ▲FOR STANDARD TRANSMISSION ONLY
 ●FOR 2-SPEED FORDOMATIC TRANSMISSION ONLY



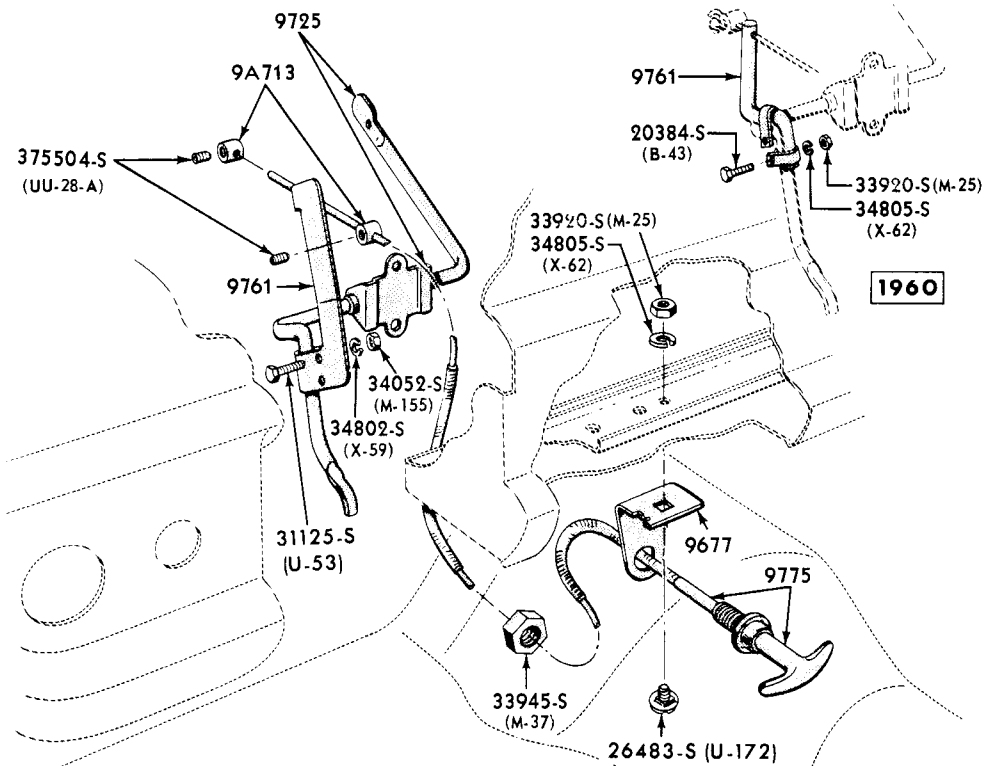
P-3073

1960 ACCELERATOR LINKAGE (8 CYLINDER)-FORDOMATIC 2 SPEED TRANSMISSION (FORD)

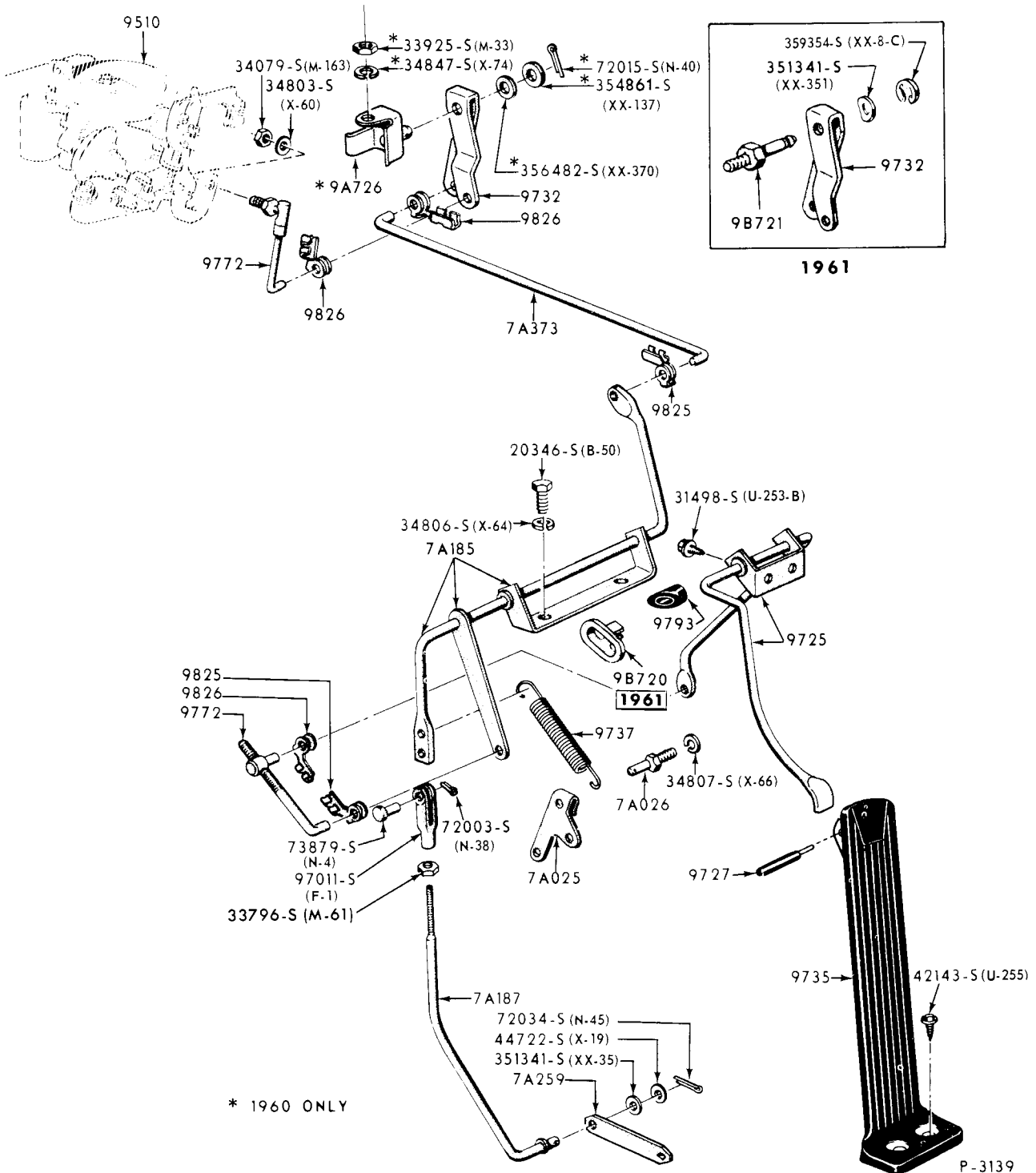


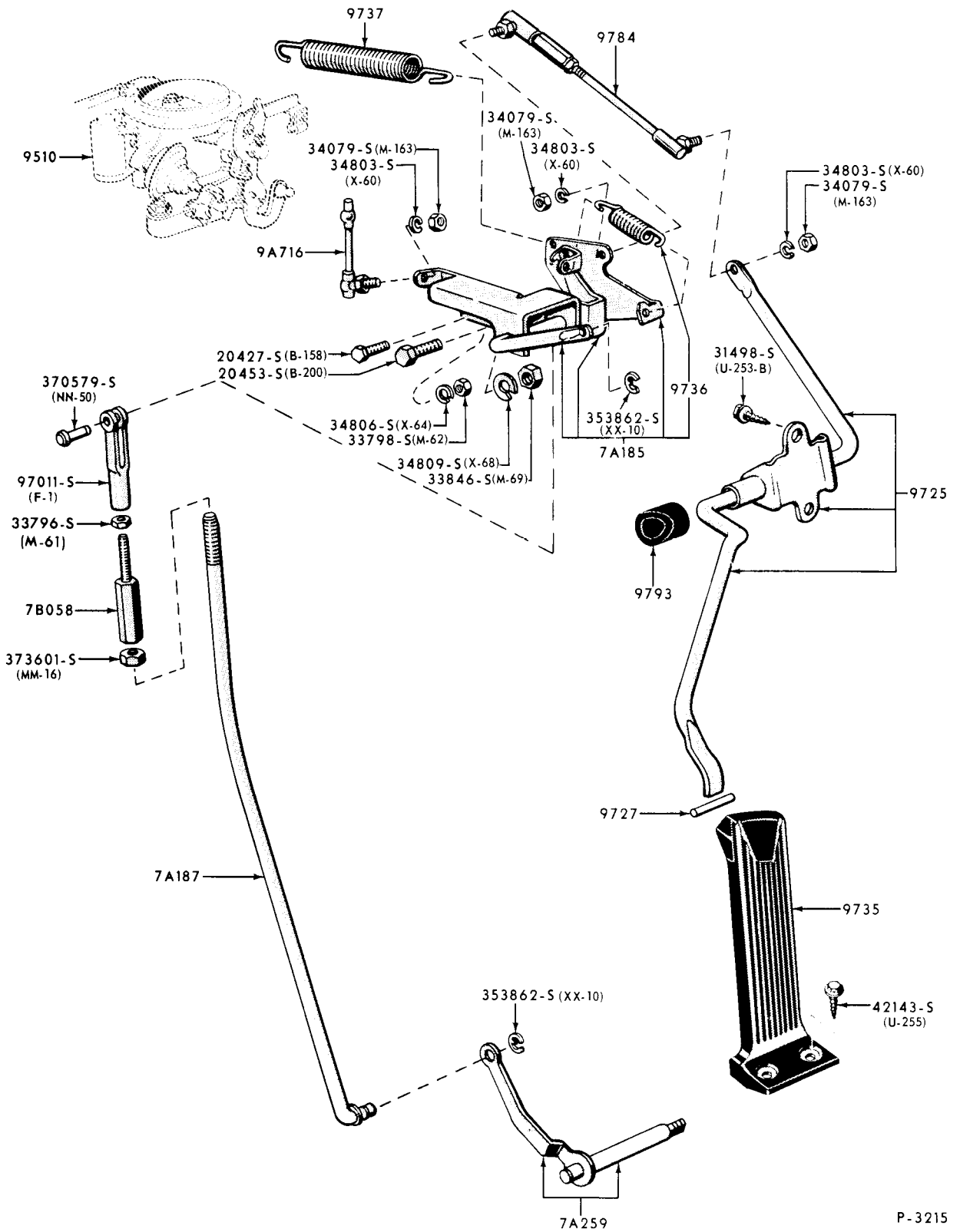


1961 ACCELERATOR LINKAGE (8 CYLINDER FORD)-
FORDOMATIC 2 SPEED TRANSMISSION WITHOUT VACUUM THROTTLE VALVE

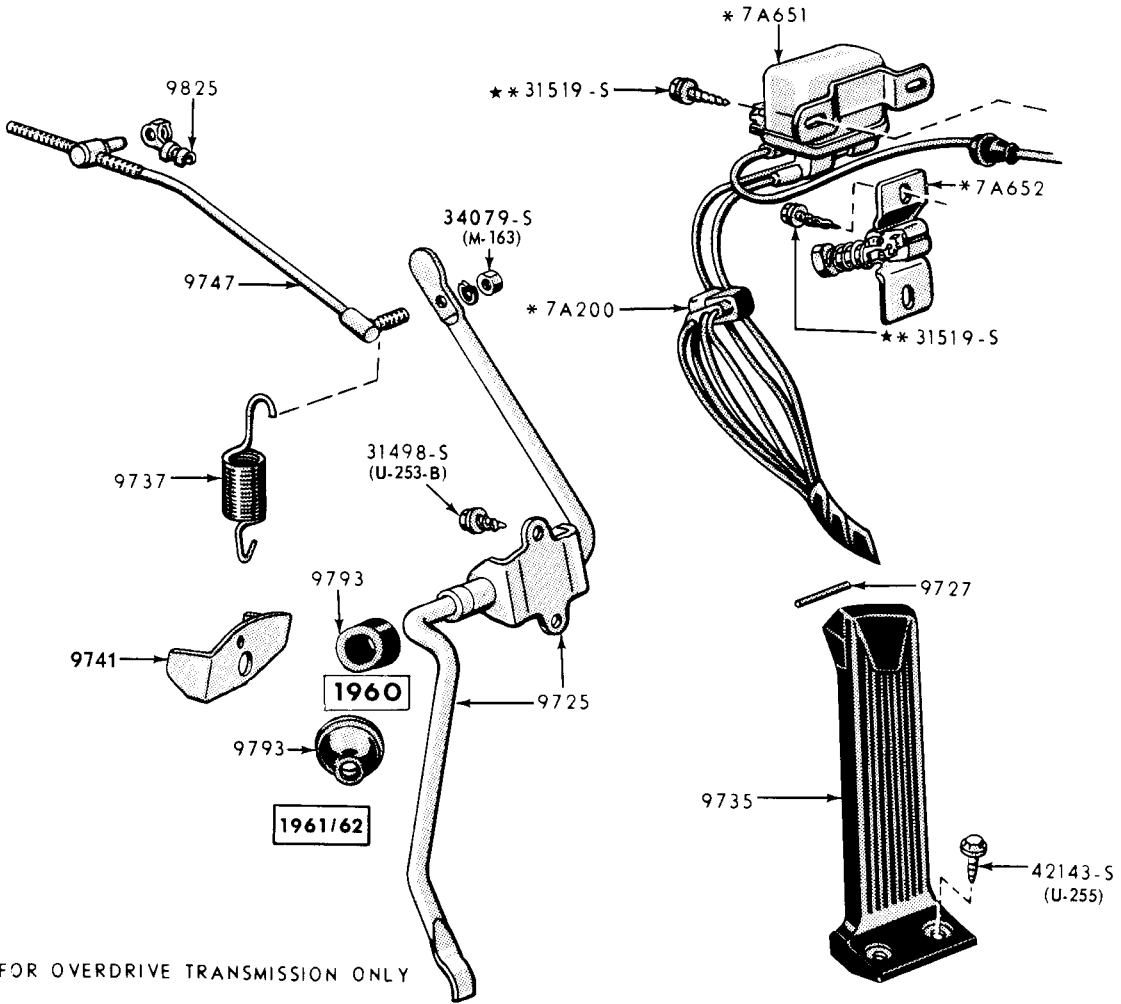


1960/61 CARBURETOR THROTTLE CONTROL (FORD)

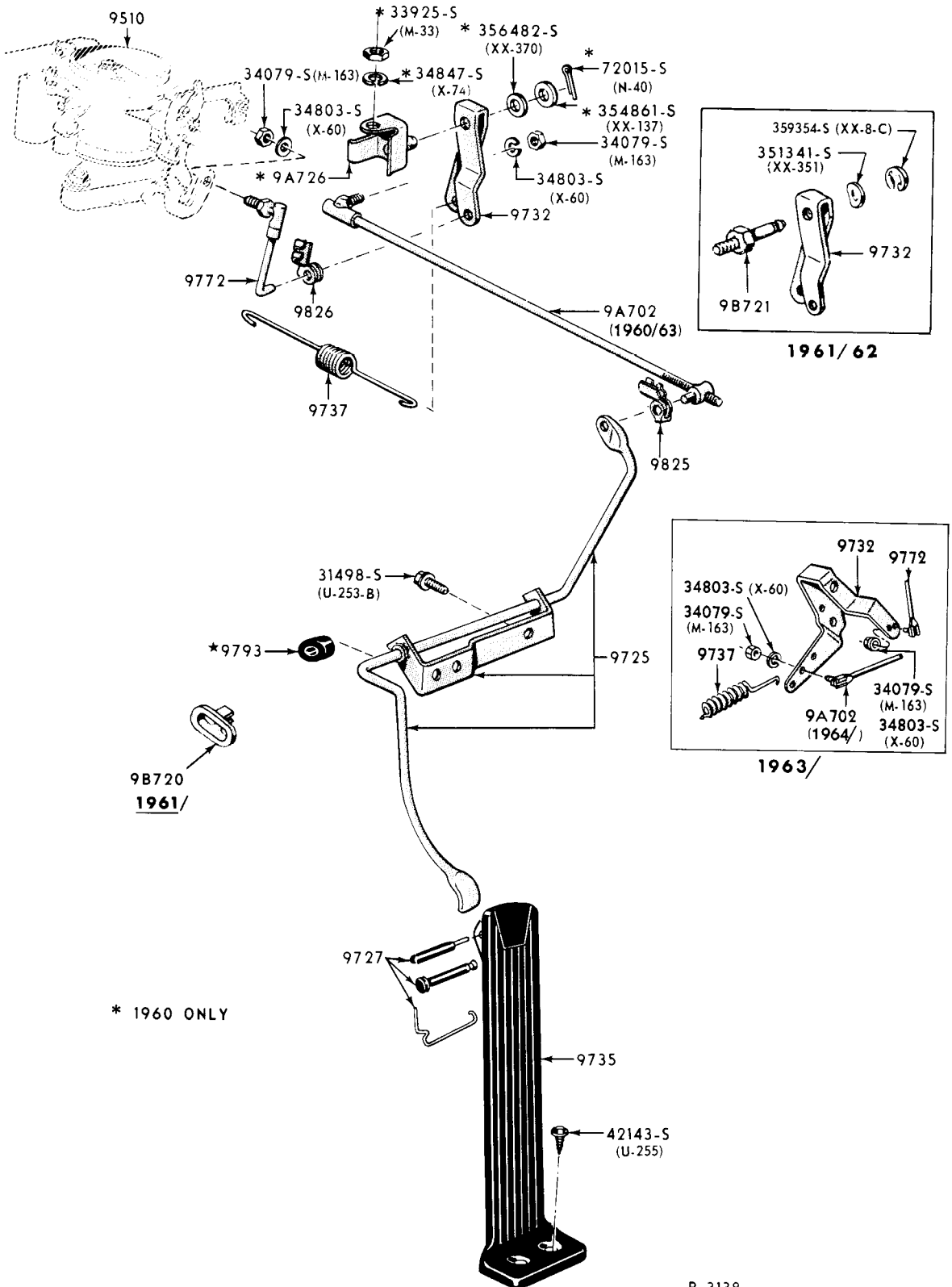


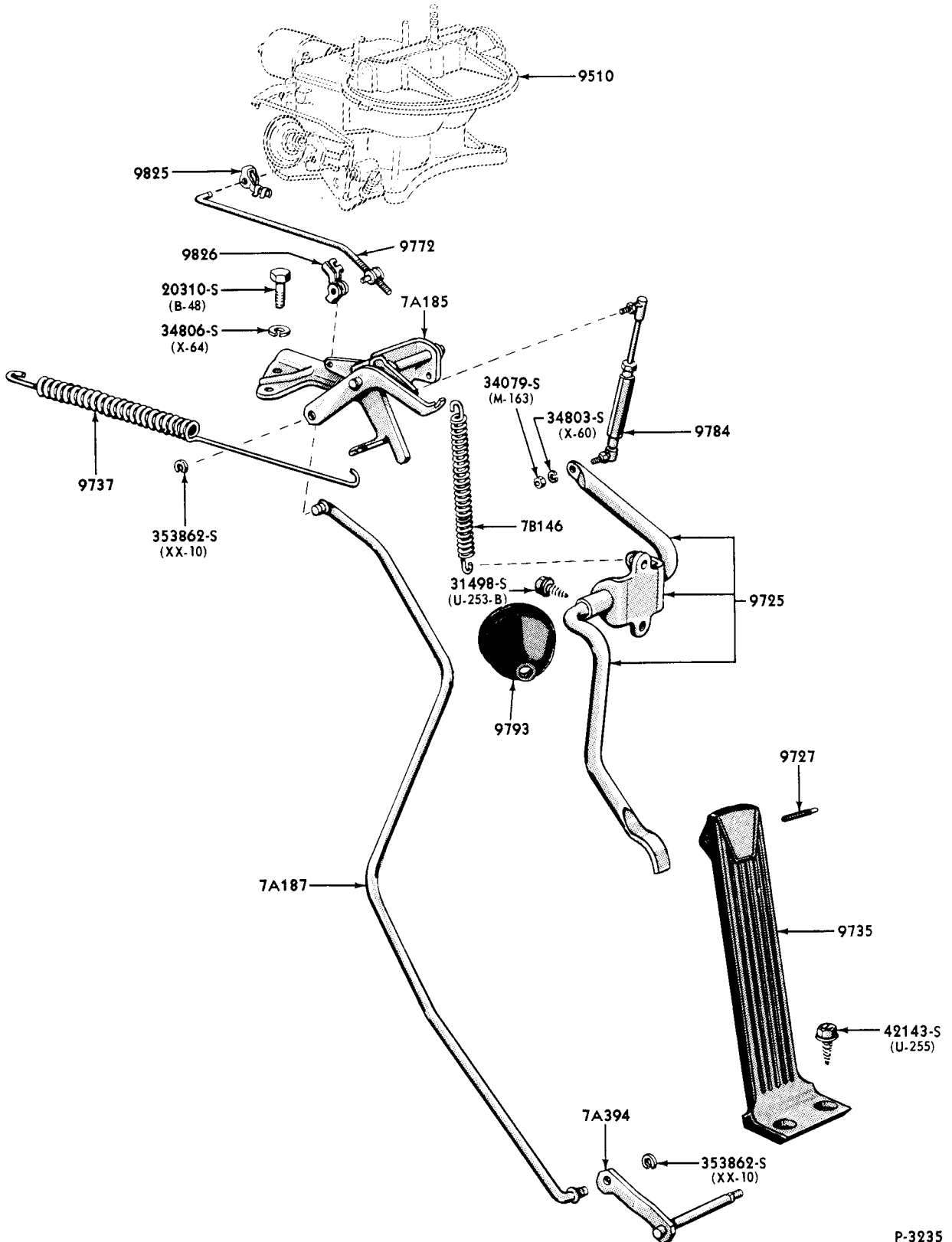


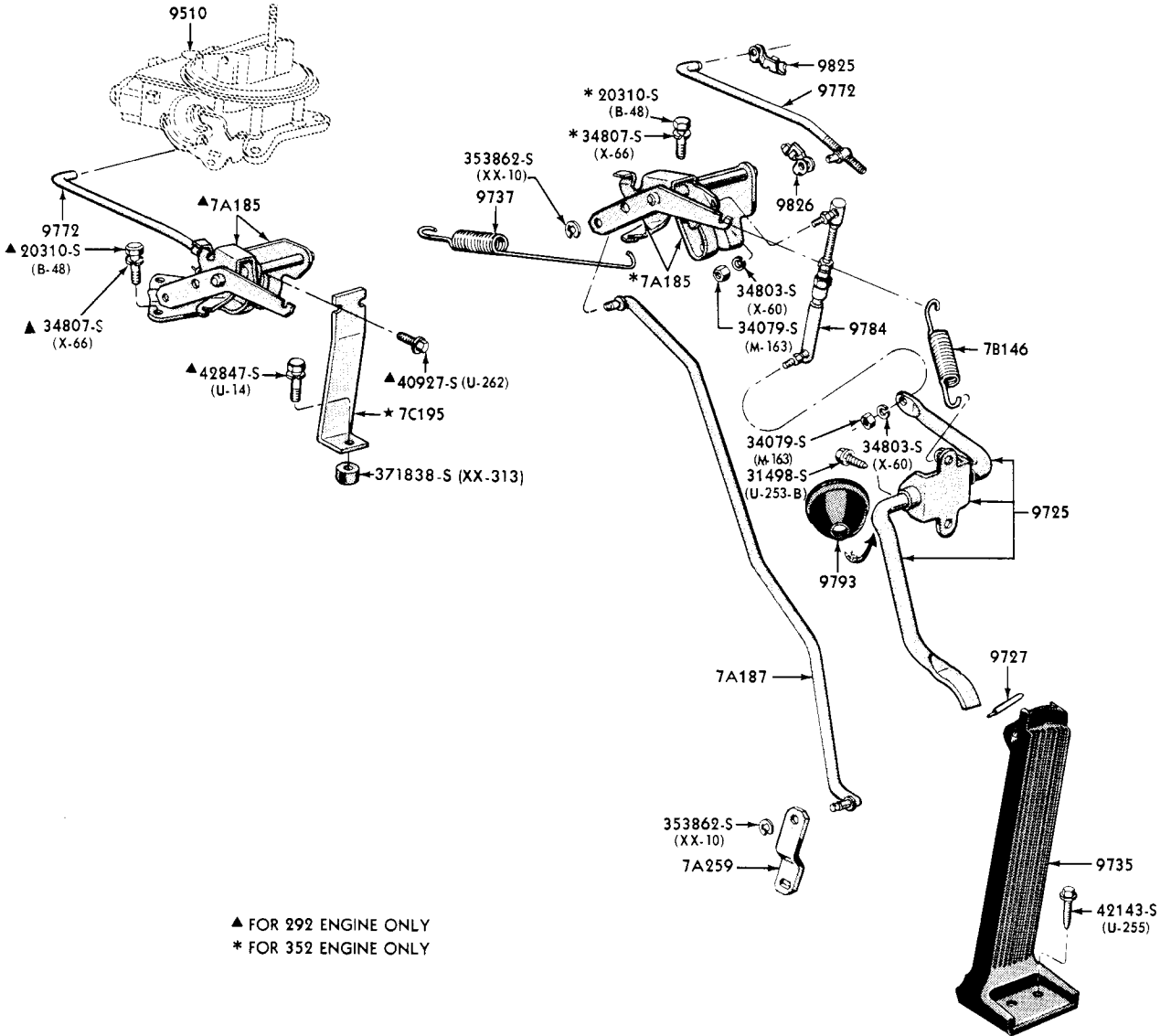
P-3215



P-3072

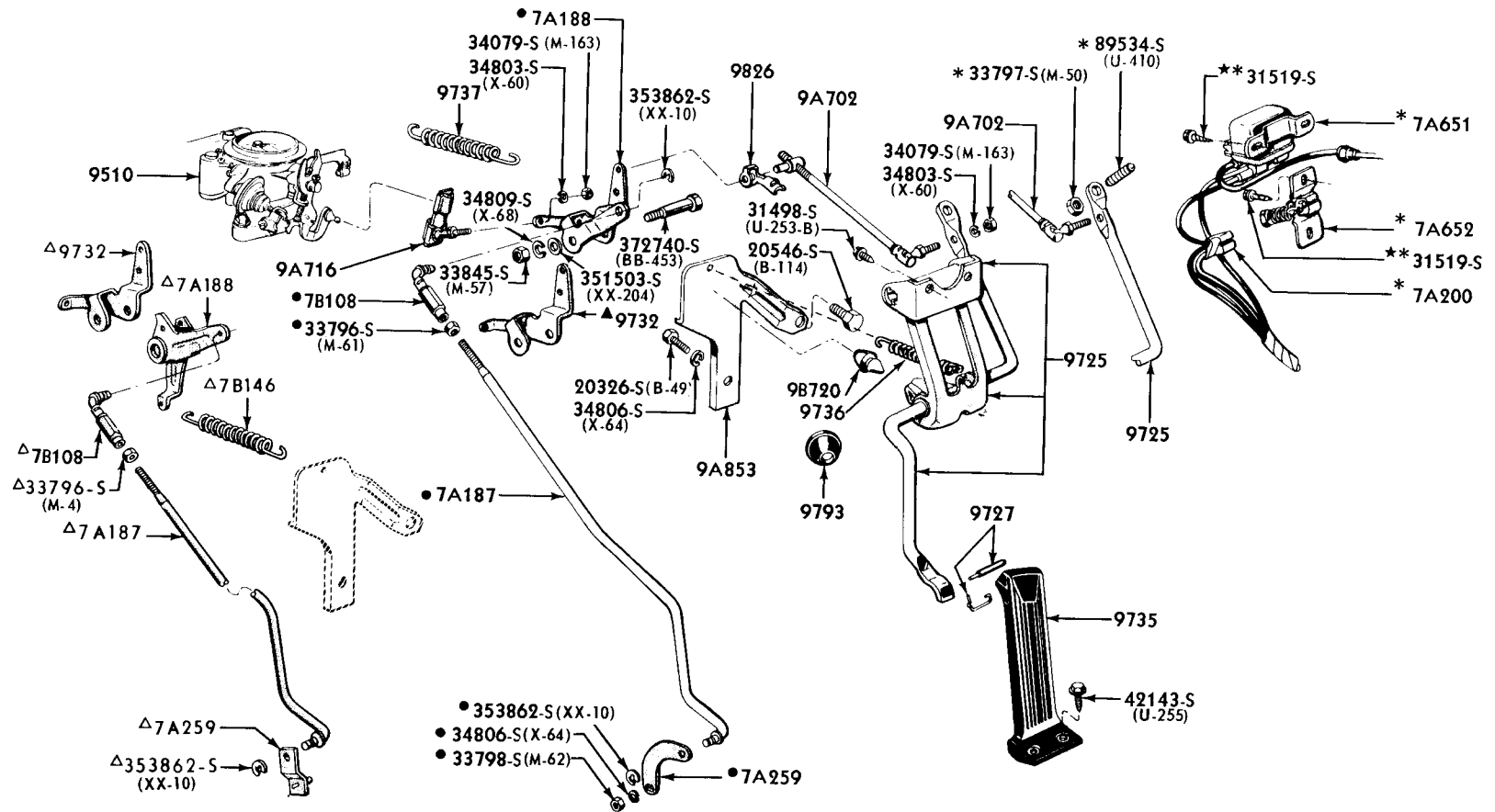






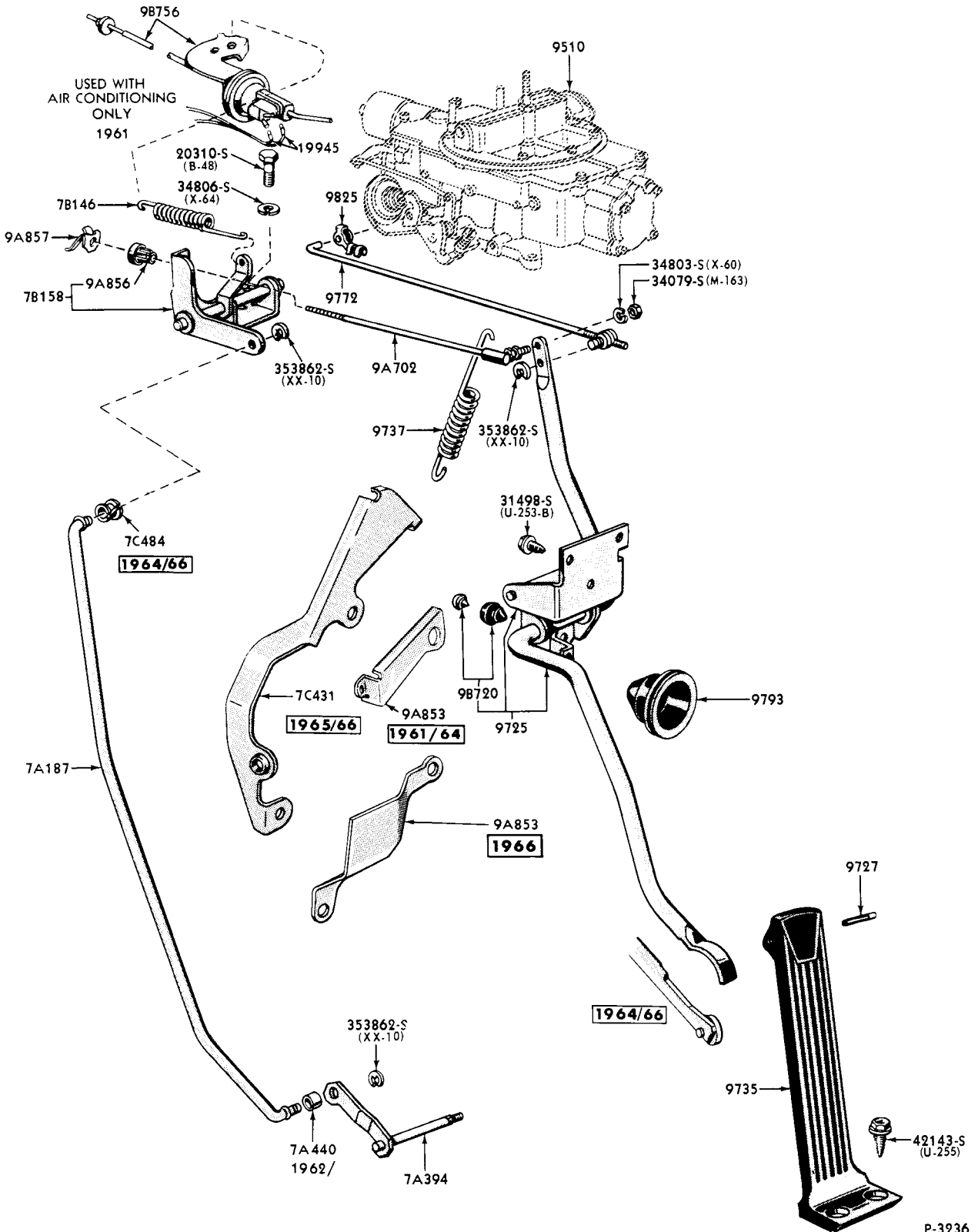
P-3668

1961/62 ACCELERATOR LINKAGE (8 CYLINDER 292 & 352)-
F/M/2 TRANSMISSION WITH VACUUM THROTTLE VALVE (FORD)

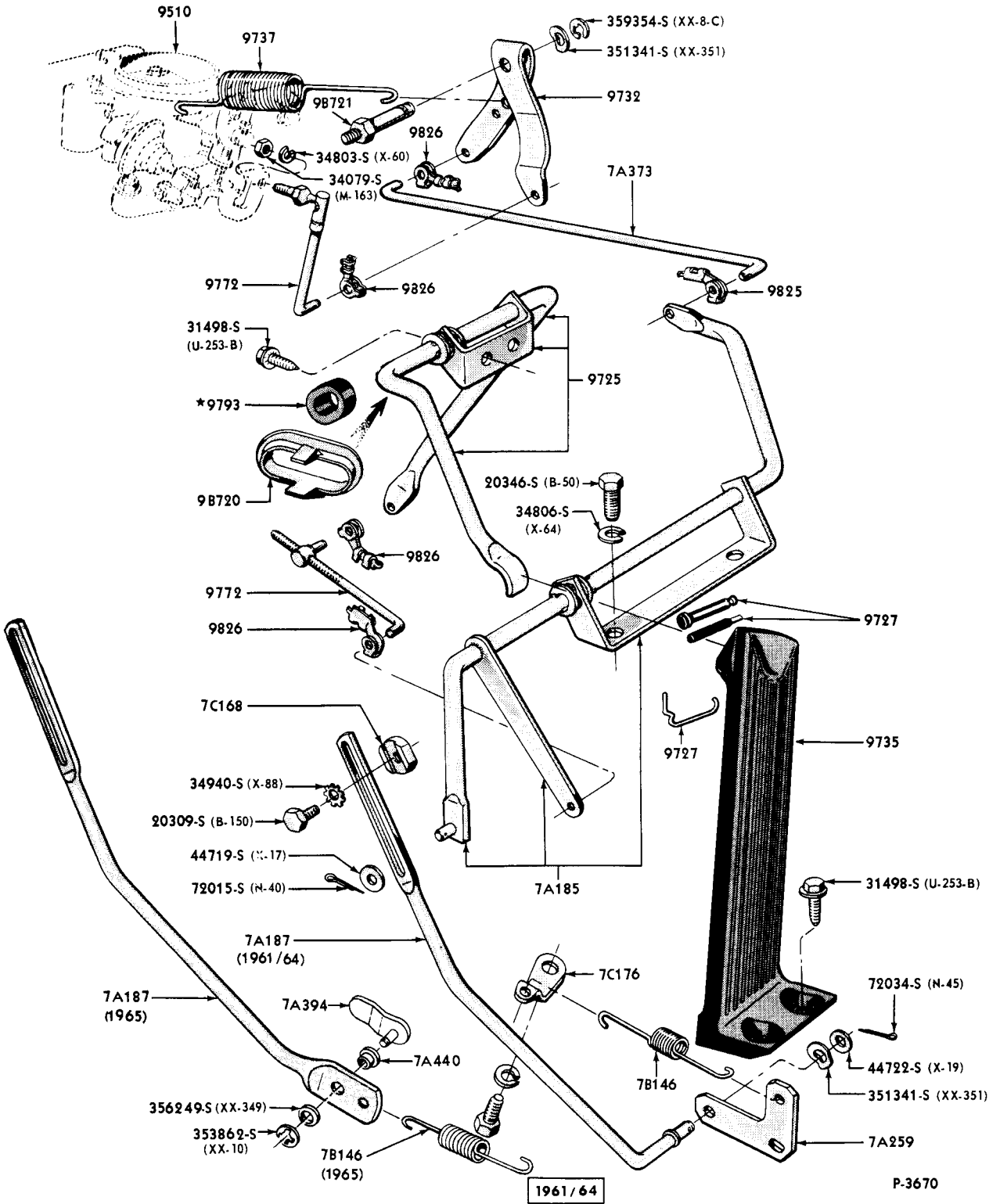


- * FOR OVERDRIVE TRANSMISSION ONLY
- ▲ FOR STANDARD AND OVERDRIVE TRANSMISSION ONLY
- FOR FORDOMATIC 2 SPEED TRANSMISSION WITHOUT VACUUM THROTTLE VALVE
- Δ FOR FORDOMATIC 2 SPEED TRANSMISSION WITH VACUUM THROTTLE VALVE

1961/64 ACCELERATOR LINKAGE (6 CYLINDER)(FORD) - TYPICAL

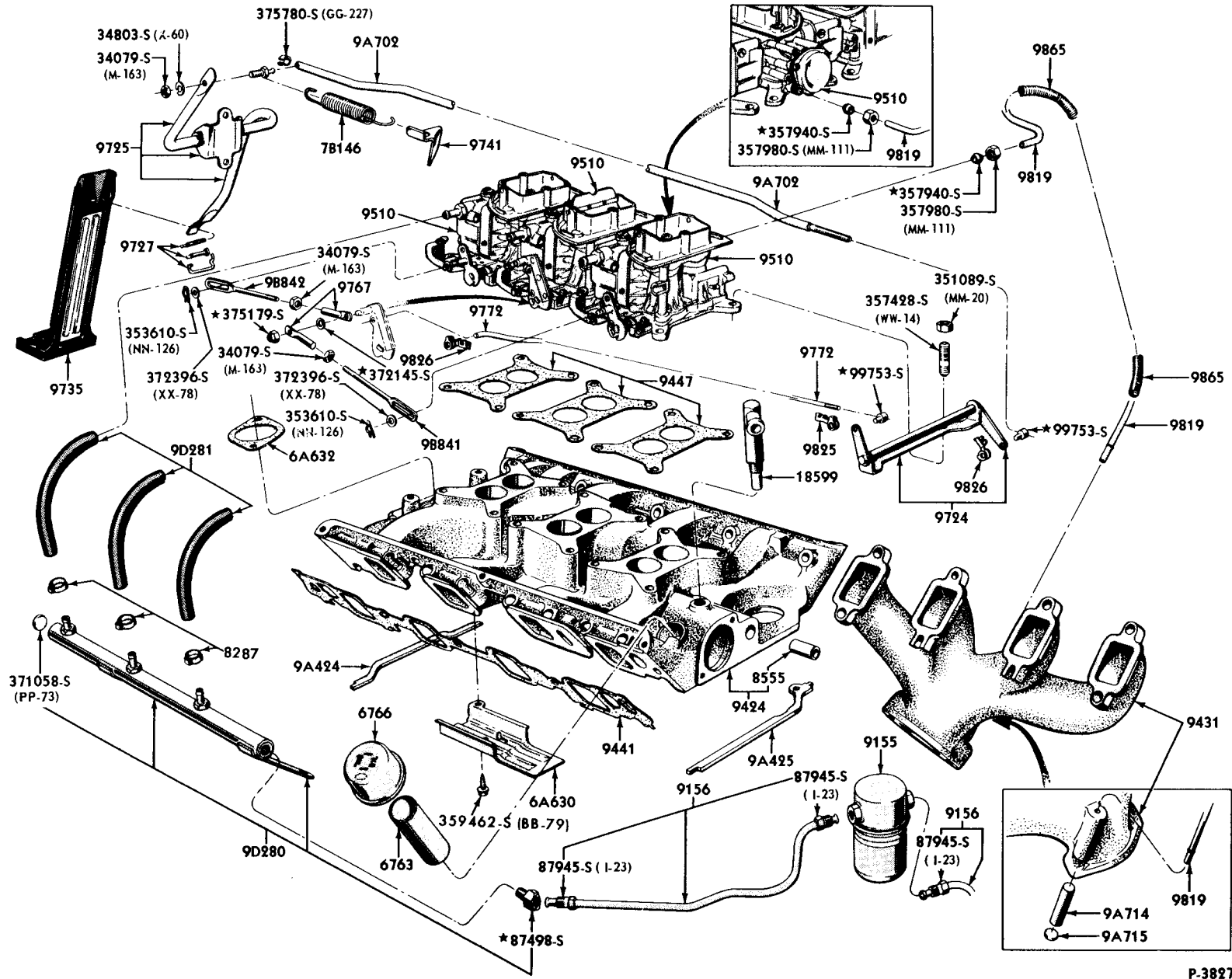


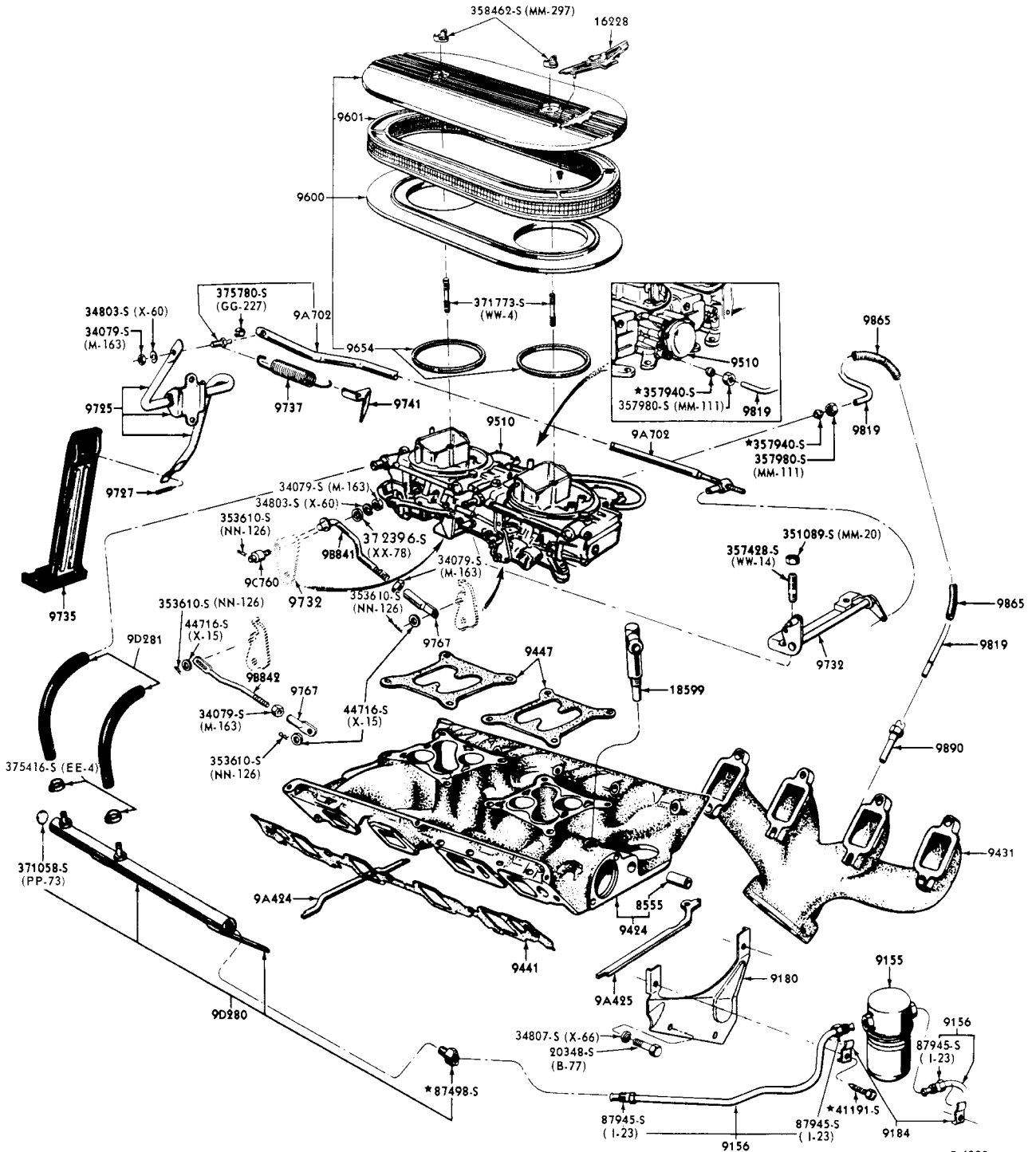
P-3236



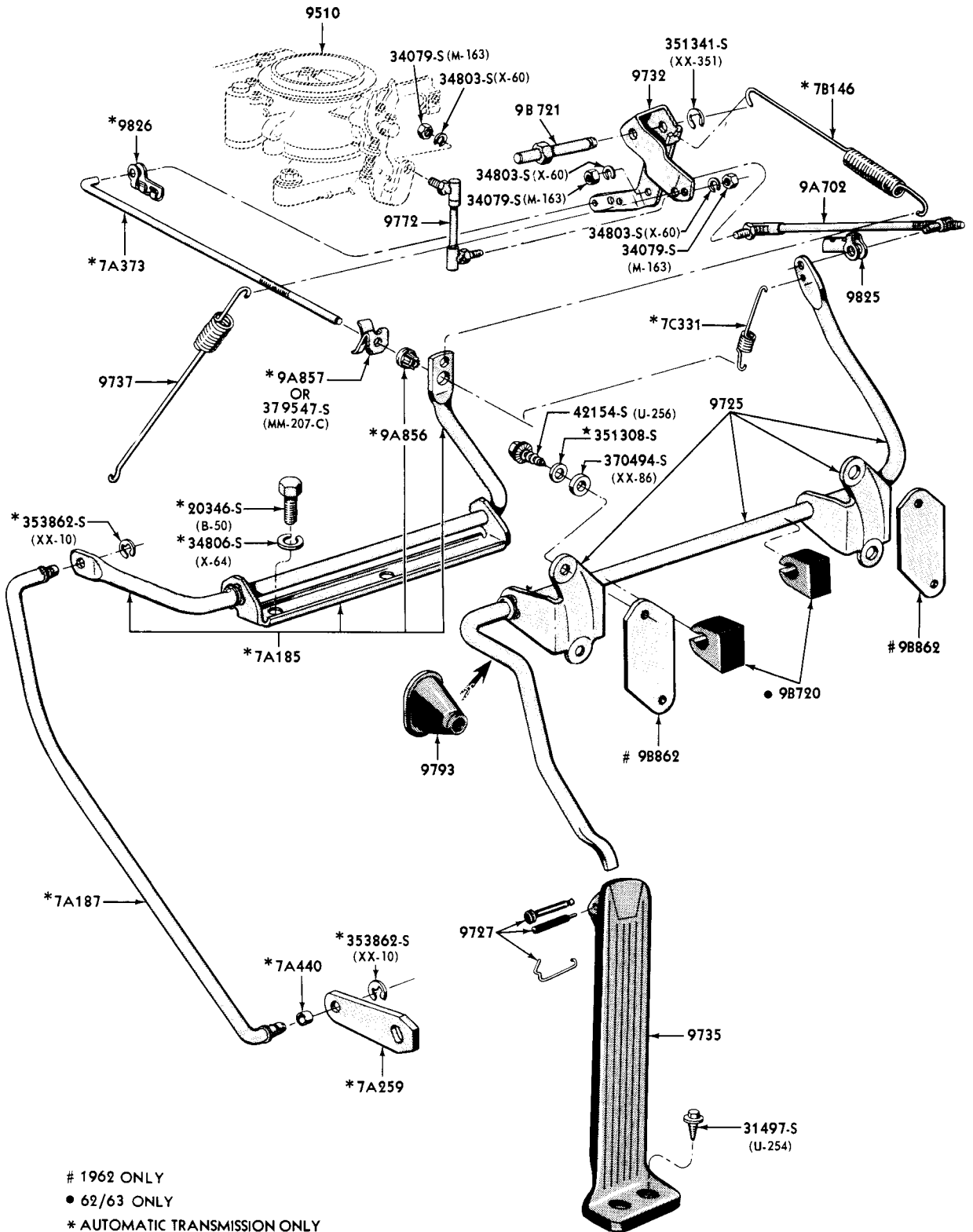
1961/ ACCELERATOR LINKAGE (6 CYLINDER)-F/M/2 and C4 TRANS. WITH VACUUM THROTTLE VALVE (FALCON)

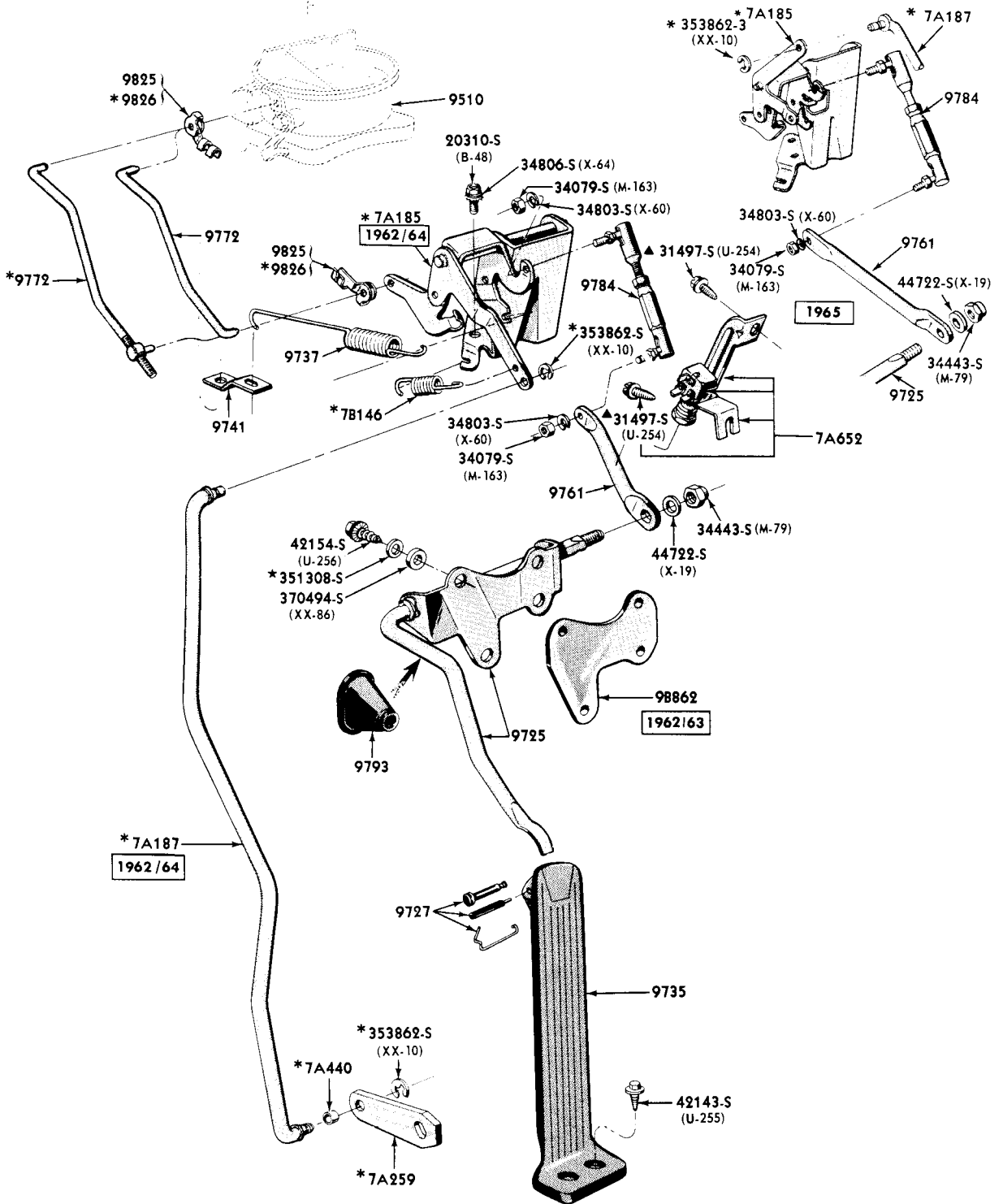
1961/63 ACCELERATOR LINKAGE & RELATED PARTS FOR INSTALLATION (8 CYLINDER 390, 406 ENGINES-THREE 2 BARREL CARBURETORS (FORD)





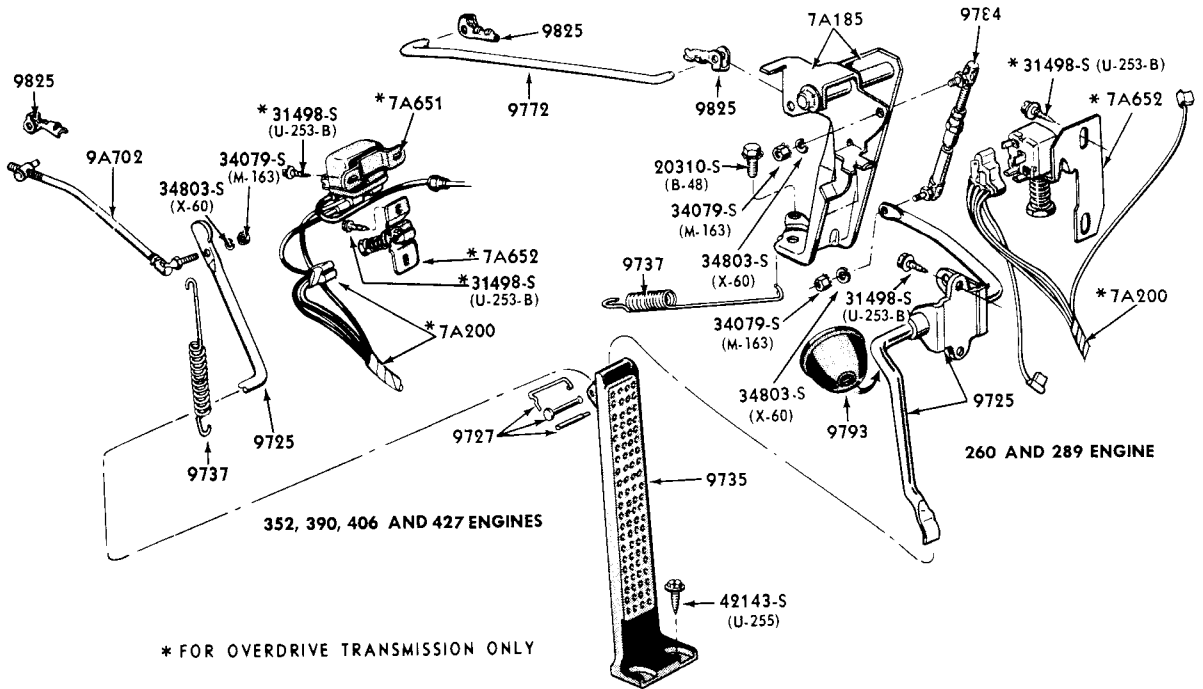
1963 ACCELERATOR LINKAGE & RELATED PARTS FOR INSTALLATION
 (8 CYLINDER 406, 427 ENGINES)- DUAL FOUR BARREL CARBURETORS (FORD)





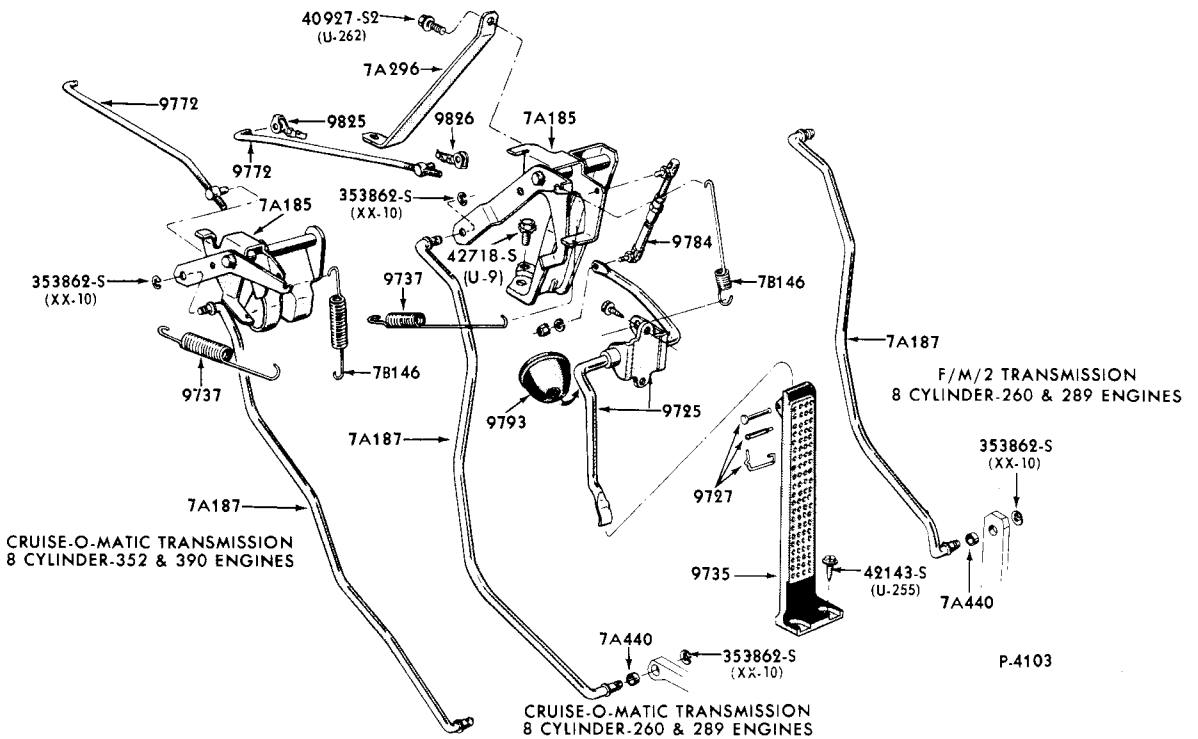
* AUTOMATIC TRANSMISSION ONLY
▲ OVERDRIVE TRANSMISSION ONLY

P-3666



P.4102

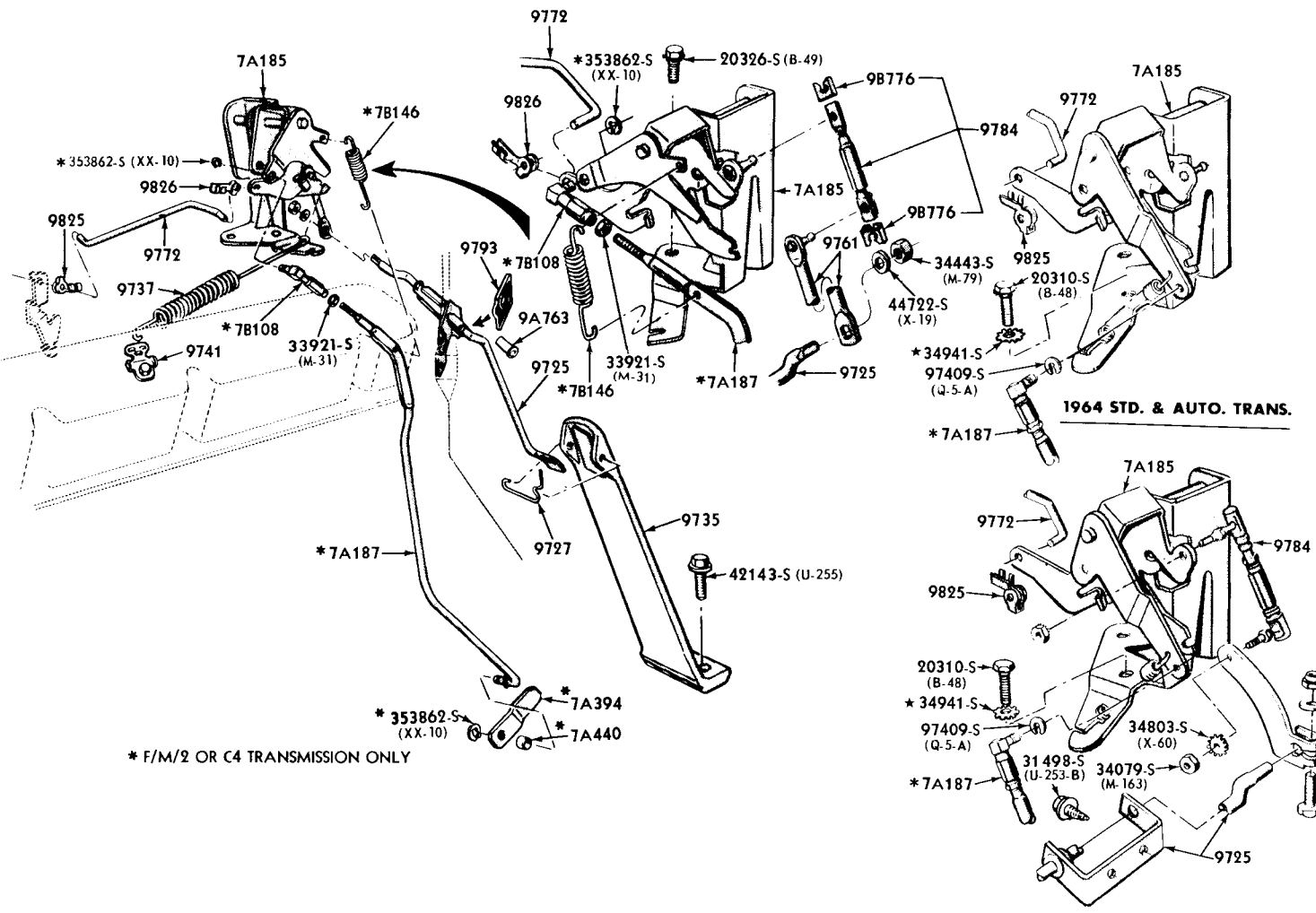
1963/64 ACCELERATOR LINKAGE (8 CYLINDER 260, 289, 352, 390, 406, 427 ENGINES)(FORD) (WITH MANUAL & O/D TRANSMISSIONS)



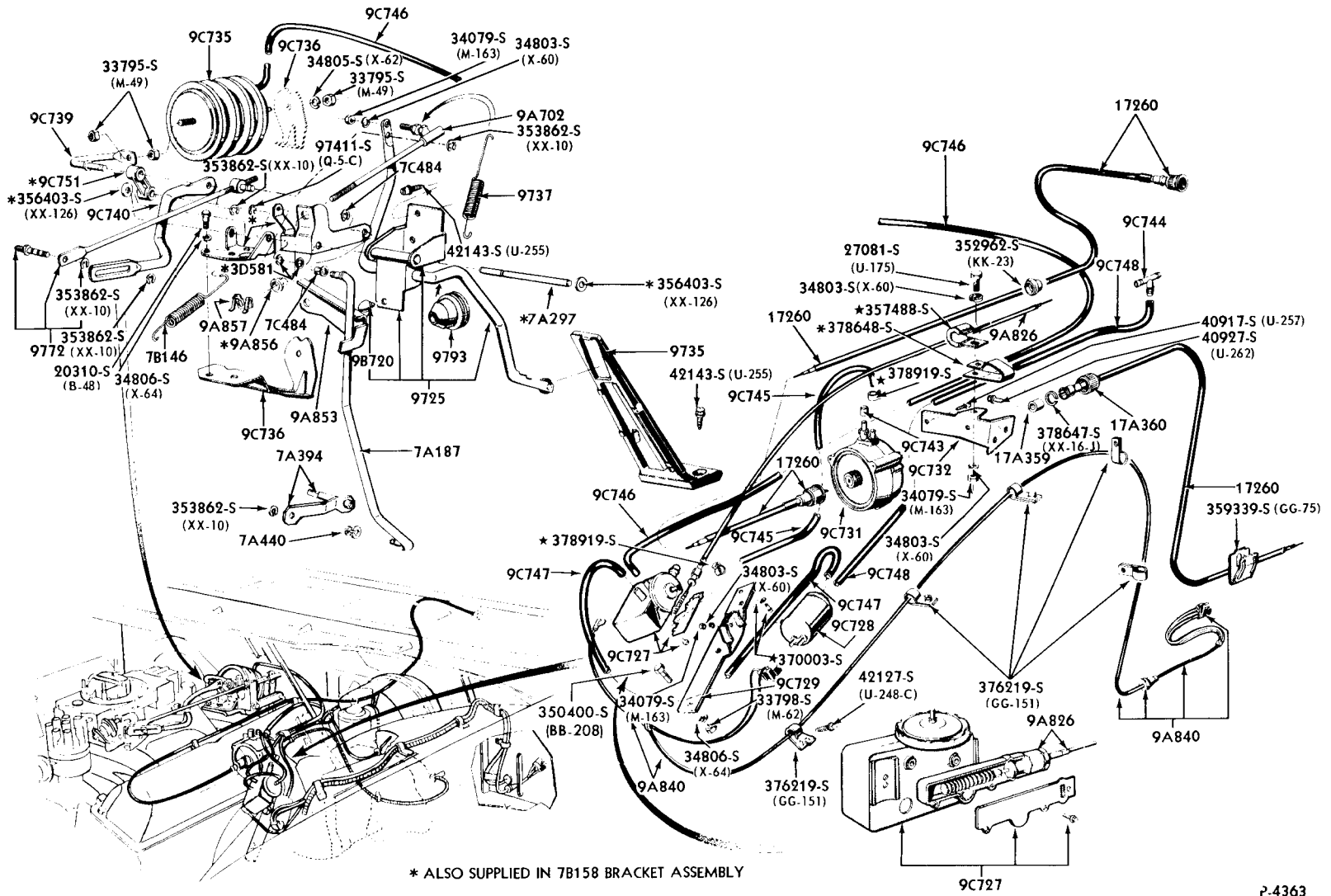
P.4103

1963/64 ACCELERATOR LINKAGE (8 CYLINDER 260, 289 ENGINES WITH FORDOMATIC 2 SPEED)(FORD)
1963/64 8 CYLINDER 260, 289, 352, 390 ENGINES WITH CRUISE-O-MATIC (FORD)

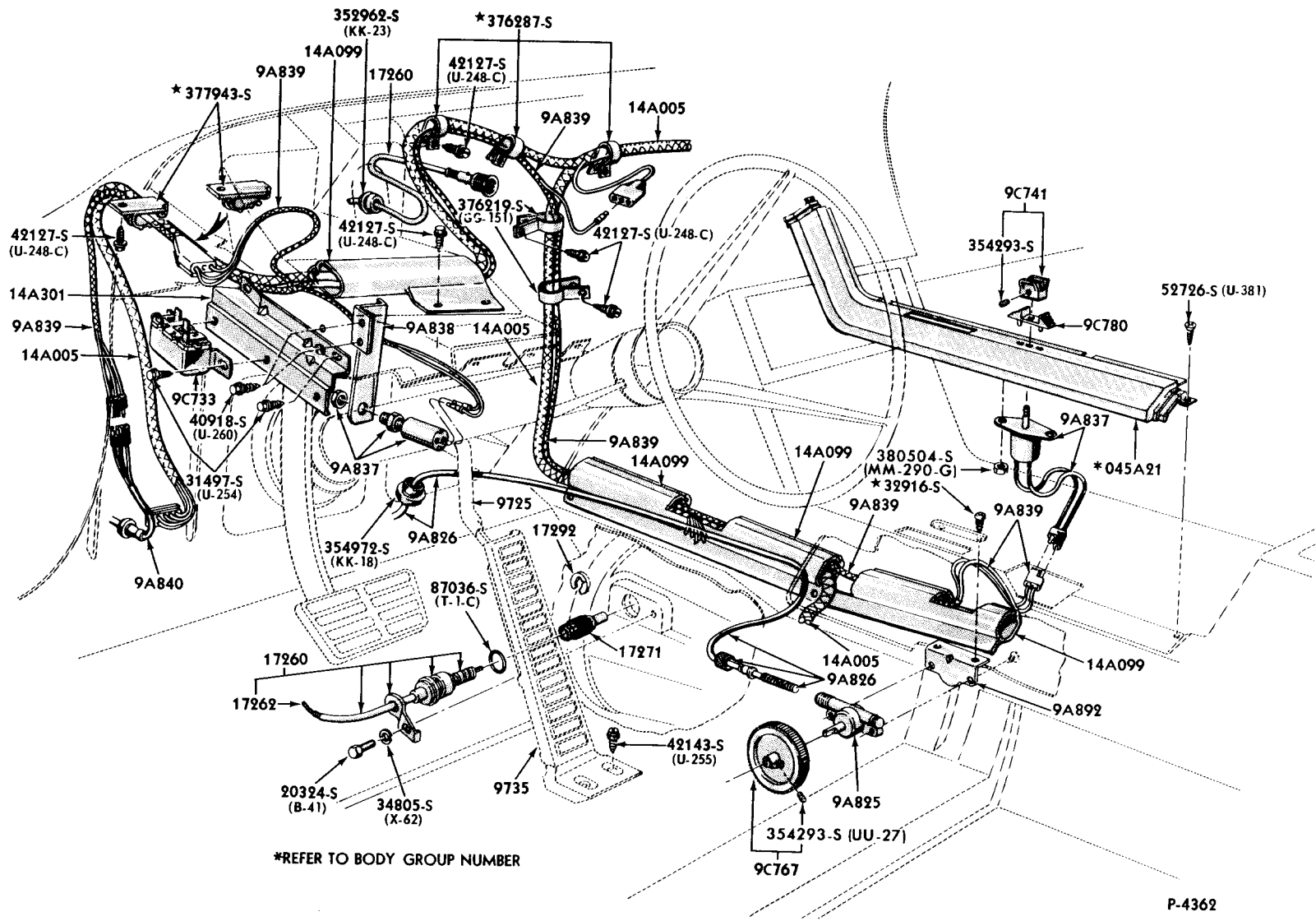
1963 / ACCELERATOR LINKAGE (8 CYLINDER) - (FALCON)



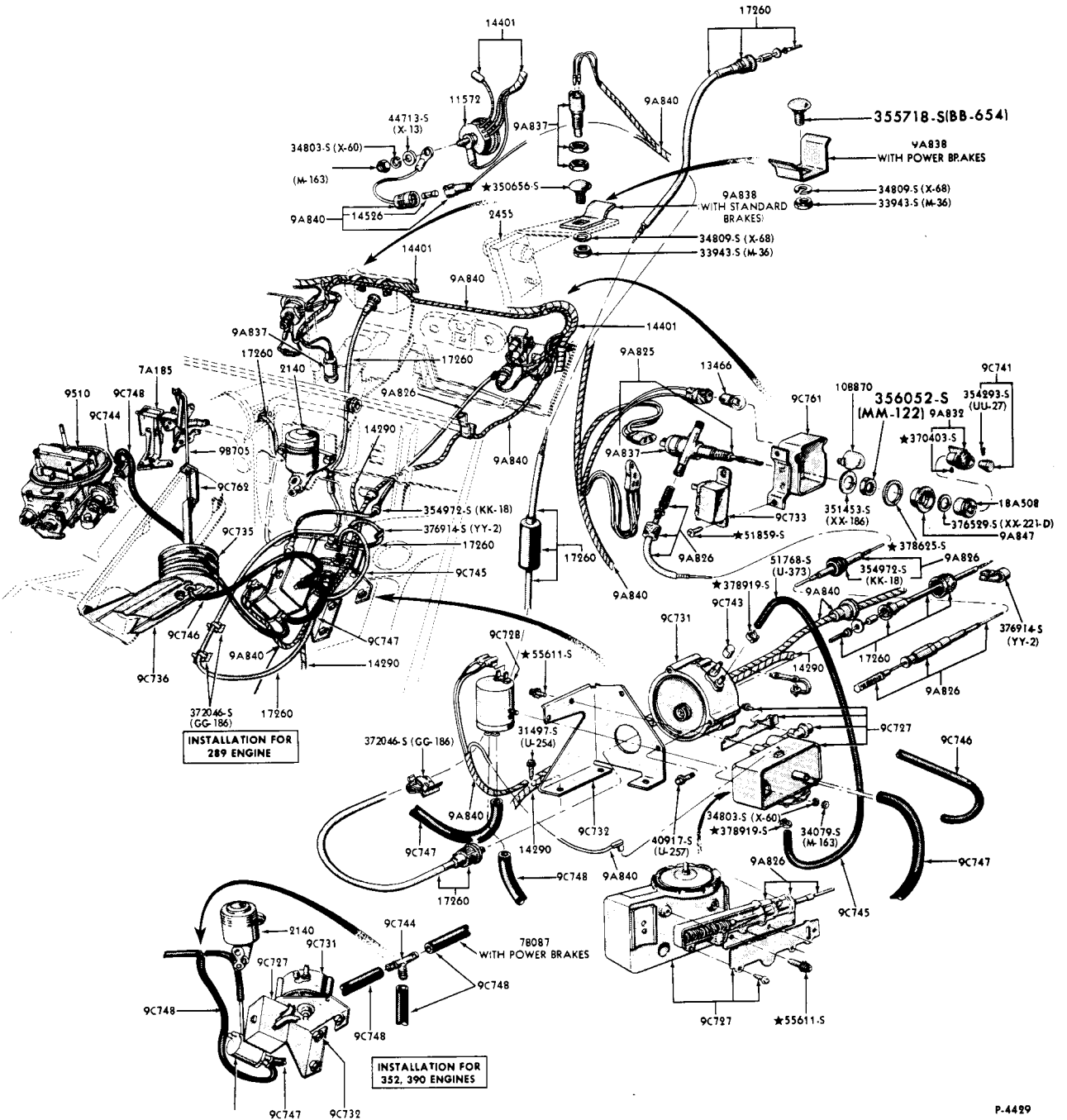
1963 STD. & AUTO. TRANS.

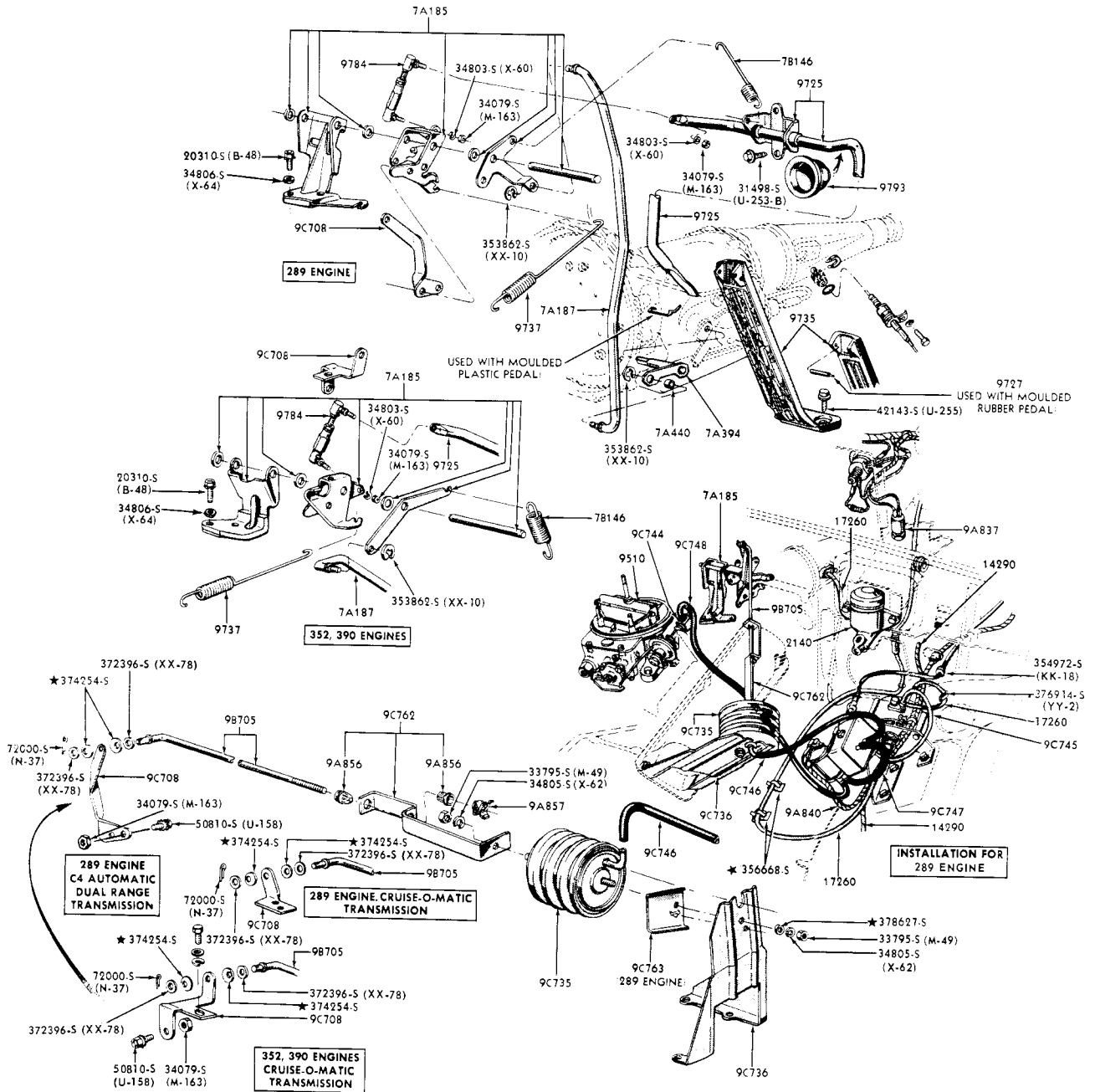


1964/ SPEED CONTROL INSTALLATION (THUNDERBIRD)-PASSENGER COMPARTMENT



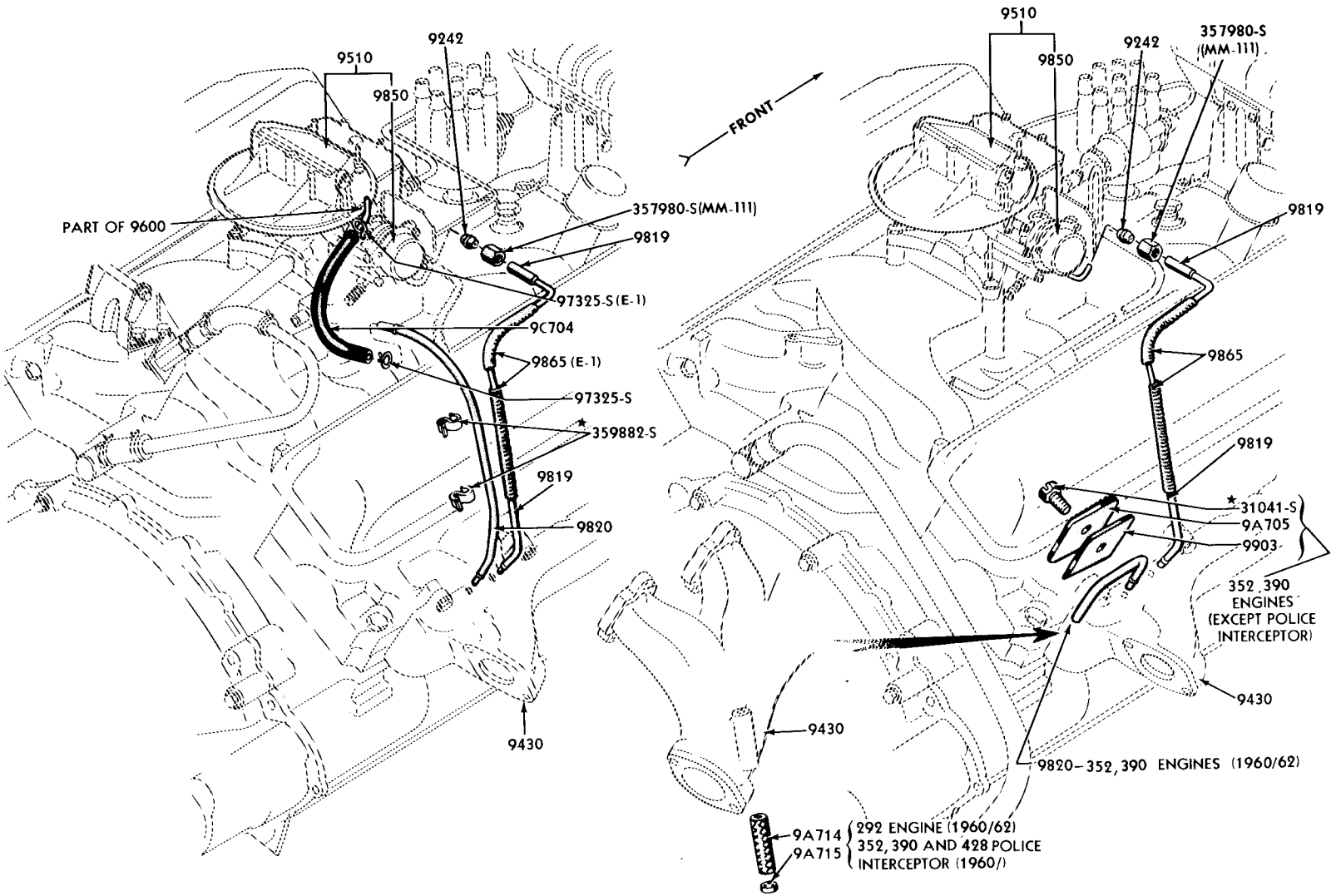
*REFER TO BODY GROUP NUMBER





1960 / 8 CYLINDER 292, 352, 390 ENGINES (EXCEPT FAIRLANE 8 CYLINDER 390 & HI-PERFORMANCE ENGINES)

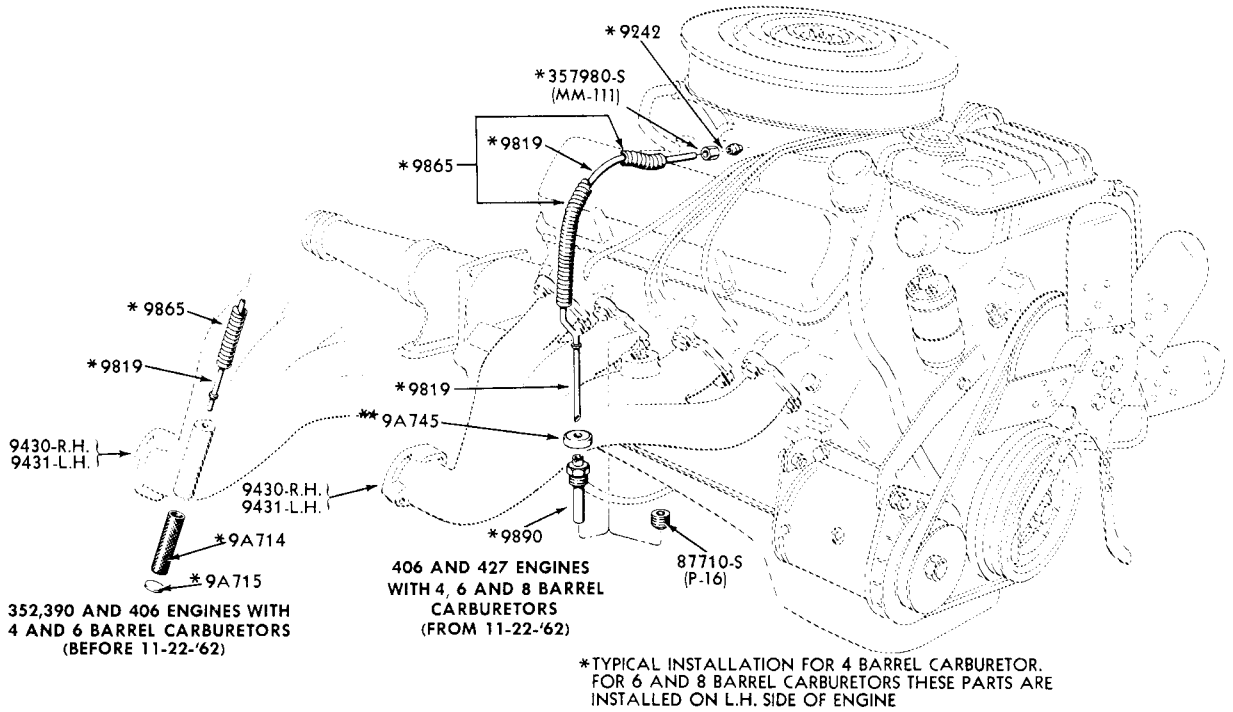
THEMOSTATIC CHOKE CONTROL TUBES & RELATED PARTS



352 AND 390 ENGINES
1963

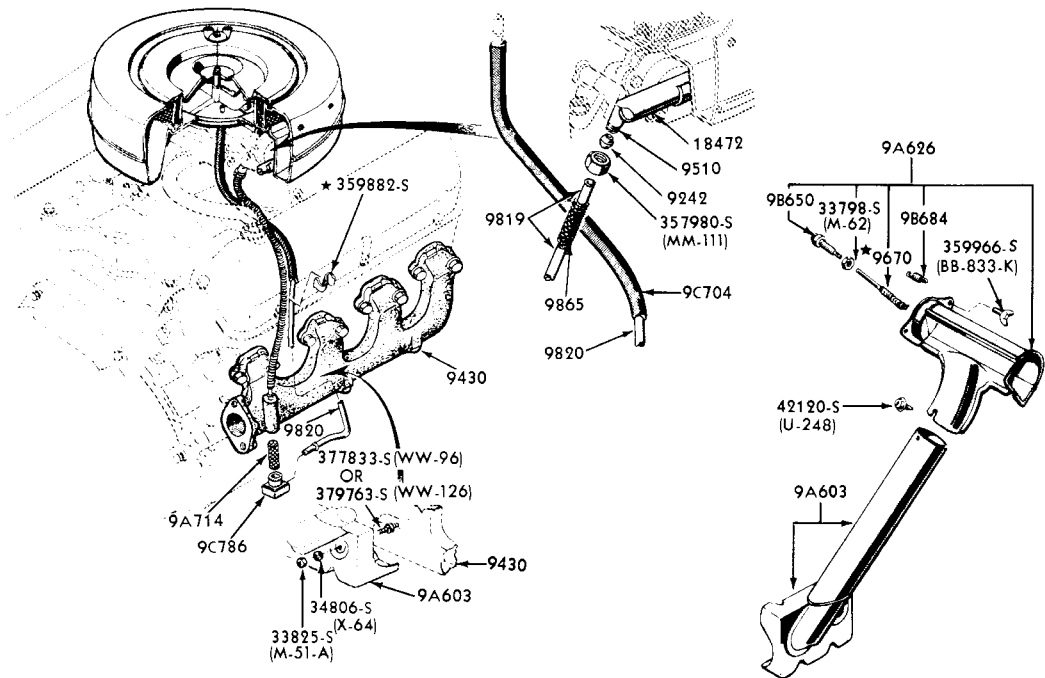
FORD CAR PARTS

**ILLUSTRATION
SECTION 98**



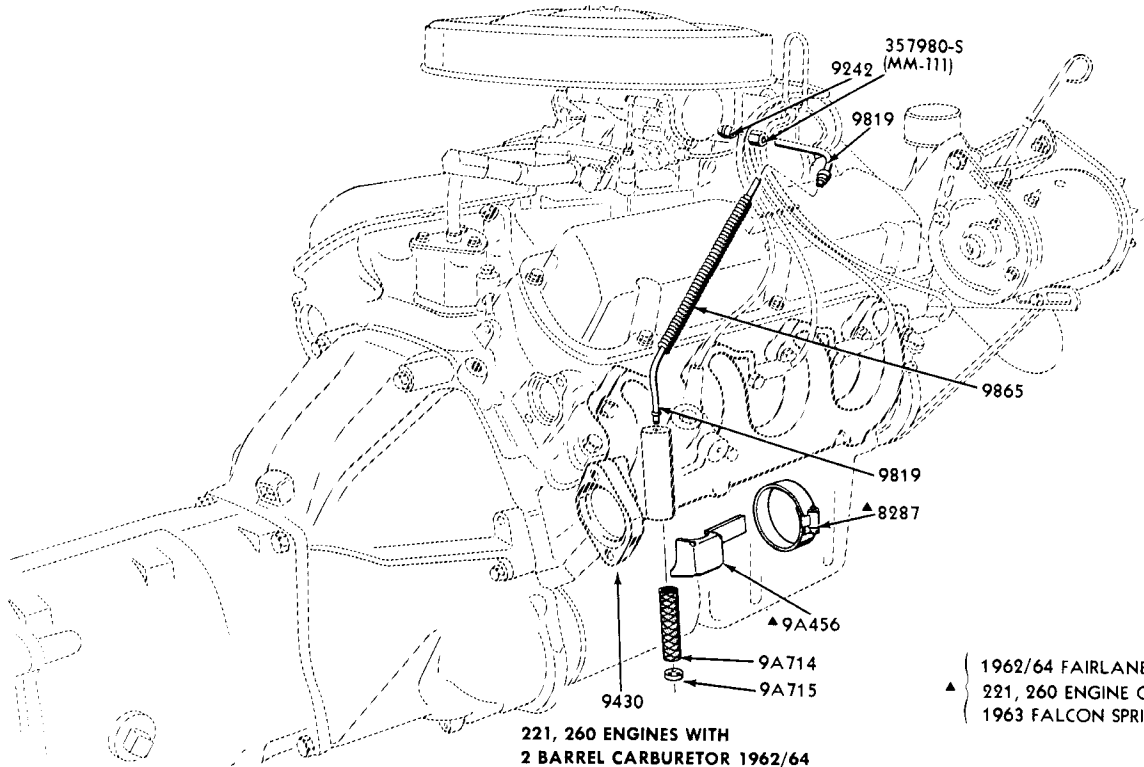
P-4177

1960/ THERMOSTATIC CHOKE CONTROL TUBE & RELATED PARTS (FORD)
(8 CYLINDER 352, 390, 406, 427 ENGINES-HI-PERFORMANCE-WITH 4, 6, 8 BARREL CARBURETOR)



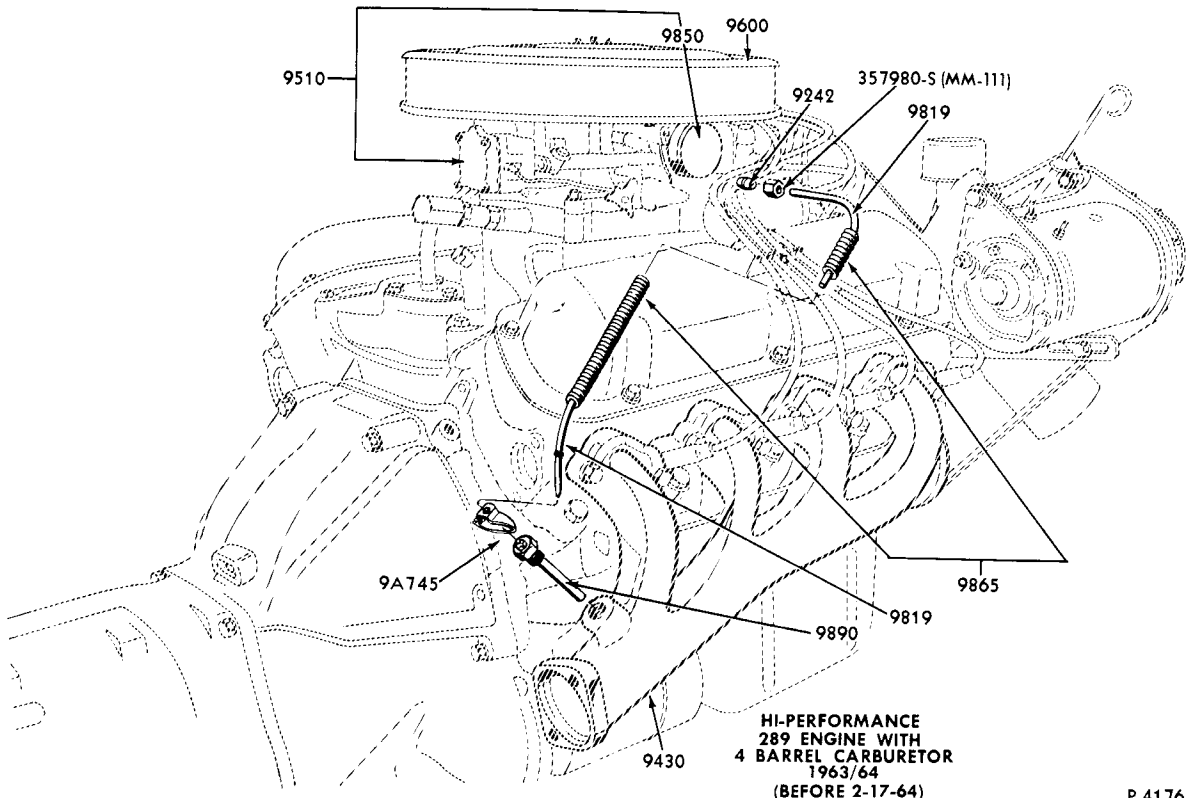
P.4940

1964/ THERMOSTATIC CHOKE CONTROL TUBE & RELATED PARTS
(8 CYLINDER 260, 289 ENGINES)(EXCEPT HI-PERFORMANCE)



**221, 260 ENGINES WITH
2 BARREL CARBURETOR 1962/64
289 ENGINE 1963**

▲ 1962/64 FAIRLANE
▲ 221, 260 ENGINE ONLY
▲ 1963 FALCON SPRINT SPECIAL

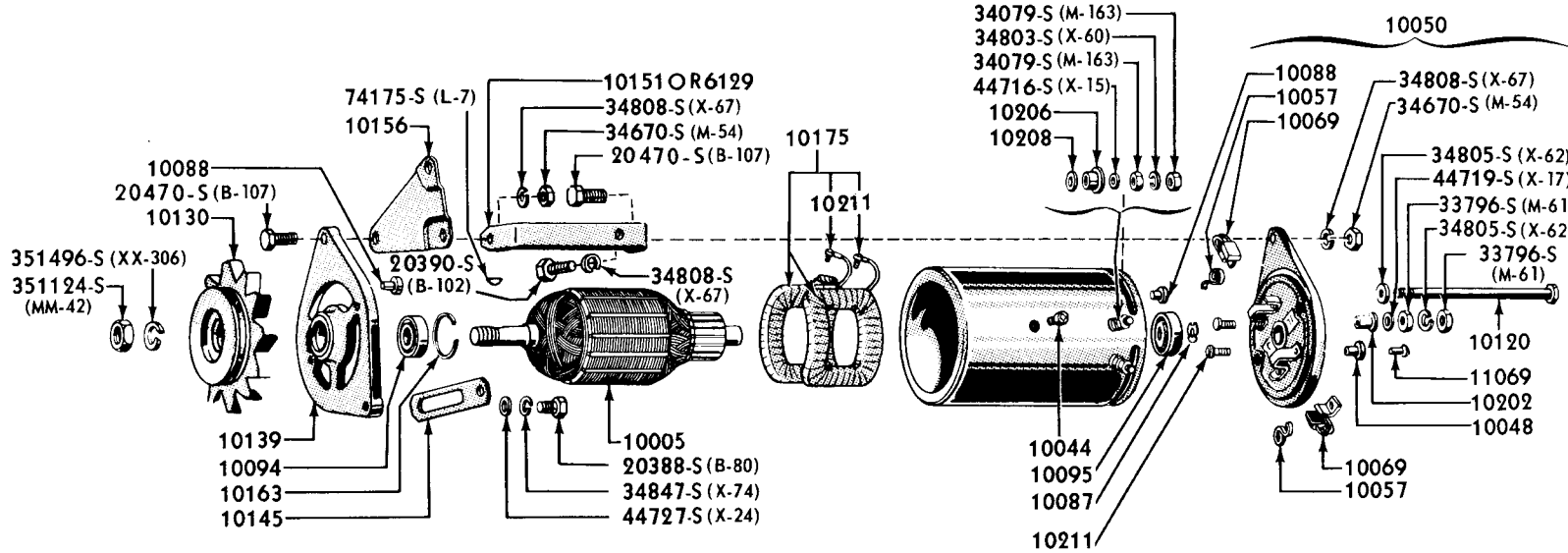


**HI-PERFORMANCE
289 ENGINE WITH
4 BARREL CARBURETOR
1963/64
(BEFORE 2-17-64)**

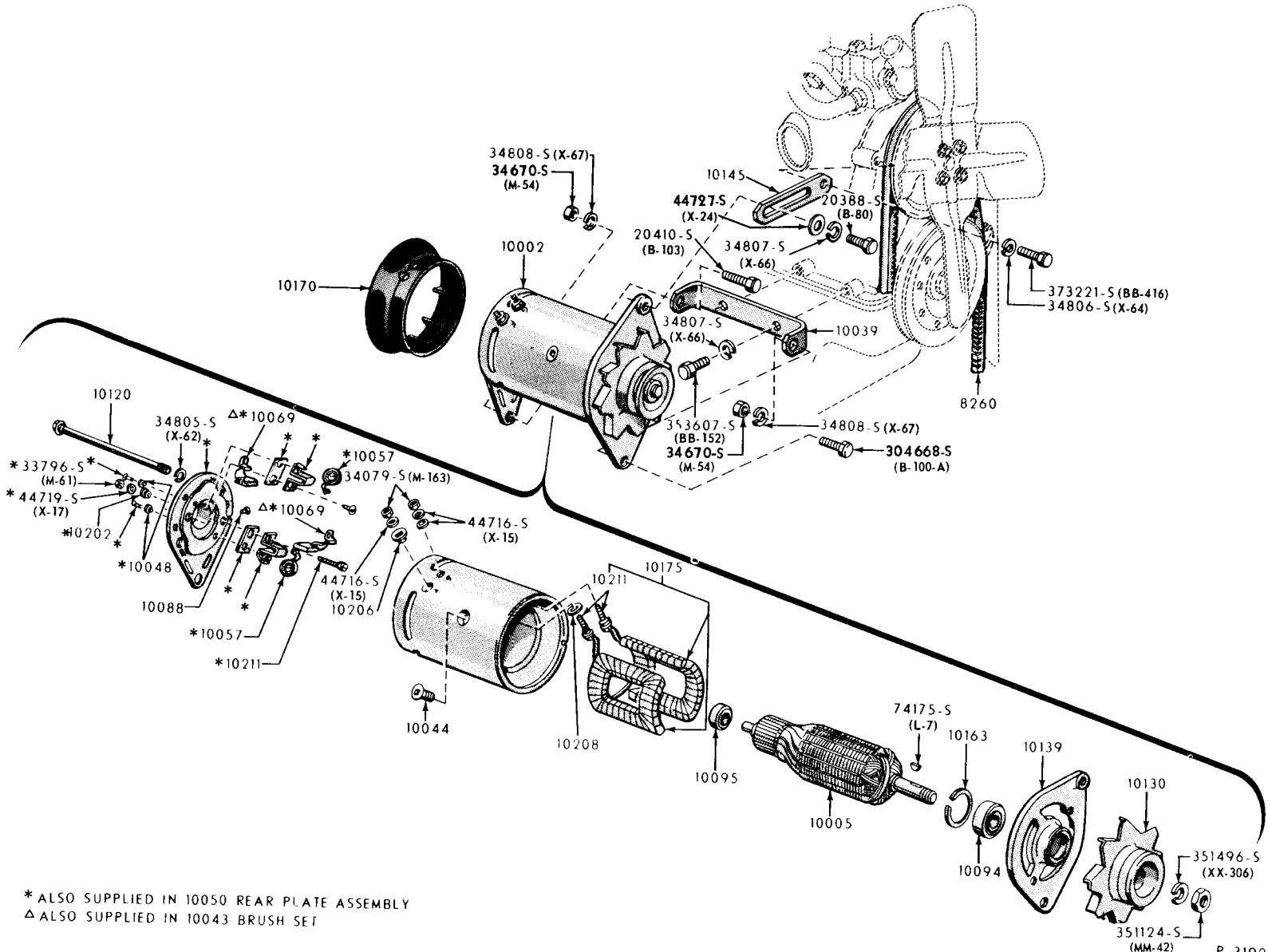
P-4176

INDEX

YEAR	TITLE	ILLUS. NO.	SECTION	PAGE
ALTERNATOR, GENERATOR, REGULATOR				
1960	Alternator (Leece Neville 15 volt 30, 50 amp.)	P-2677	100	372
1960	Alternator (Leece Neville 15 volt-50 amp. Heavy Duty)	P-2719	100	373
1961	Alternator (Leece Neville 15 volt-50 amp.)	P-3485	100	374
1962	Alternator (Leece Neville 15 volt-60, 65 amp)	P-3843	100	375
1962	Alternator (Leece Neville 15 volt-40, 53 amp.)	P-3849	100	376
1964	Alternator (Leece Neville 15 volt 53, 60, 65 amp.)	P-5741	100	377
1963/64	Alternator (Ford 15 volt-30, 40, 42, 52 amp.)	P-4060	100	378
1963/64	Alternator (Ford 15 volt-38, 42, 45, 55 amp.)-Printed Circuit Type	P-4508	100	379
1960/62	Generator and Related Parts (Delco Remy 15 volt-35, 40 amp.)	P-3240	100	371
1960/64	Generator and Related Parts (Autolite 15 volt-40 amp.)	P-3905	100	370
1960/64	Generator and Related Parts (Ford 15 volt-30, 35, 40 amp.)-typical	P-1829	100	368
1960/	Generator and Related Parts (Ford 15 volt-25, 30 amp.)-Falcon	P-3192	100	369
1960/	Voltage Regulator-Typical (Generator)	P-1535	100	380
1963	Voltage Regulator (Ford 15 volt, Negative Ground)(Alternator)	P-4482	100	381
1964/	Voltage Regulator (Ford 15 volt, Negative Ground)(Alternator)	P-5525	100	382
BATTERY CARRIER				
1960	Battery Carrier and Related Parts (Ford)	P-2954	106	383
1960	Battery Carrier and Related Parts (Thunderbird)	P-2795	106	383
1961/64	Battery Carrier and Related Parts (Ford)	P-3257	106	384
1960/	Battery Carrier and Related Parts (Falcon)	P-3106	106	384
CONSOLE PANEL and INSTRUMENT PANEL				
1960	Head Lamp Switch and Related Parts	P-3186	110	389
1964	Seat Belt Warning Lamp Installation (Thunderbird)	P-4405	106	385
STARTER				
1960/	Starter and Drive Assy.-Positive Engagement	P-3191	110	387
1960/64	Starter and Drive Assy.-Inertia-typical	P-1965	110	386
1960/	Starter Drive (Ford 12 Volt-Positive Engagement)	P-5526	110	388
DISTRIBUTOR				
1960/	Distributor (8 cylinder 221,260,289,292,352,390 & 430 engines)(Pivot Plate Type - except with Stamped Weights)	P-2926	120	392
1960/	Distributor (8 cyl. 221, 260, 289, 292, 352, 390, 406, 427, 430 engines)(with Stamped Weights)	P-4924	120	393
1960/	Distributor (6 cylinder 144, 170, 200 engines)	P-2961	120	390
1960/	Distributor (6 cyl. 223 engine)	P-3475	120	391
IGNITION WIRING				
1960/62	Ignition Wiring (8 cylinder 292 engine)	P-2155	120	395
1960/64	Ignition Wiring (8 cylinder 352, 390 & 430 engines)-typical	P-2498	120	396
1960/64	Ignition Wiring (6 cylinder 223 engine)-Typical	P-1800	120	394
1963/	Transistorized Ignition System. Oil Temperature Warning System and Related Parts (8 cylinder 427 engine)(Ford)	P-4190	120	397
1964/	Transistorized Ignition System and Related Parts (8 cylinder 390 engine)(Thunderbird)	P-4868	120	398



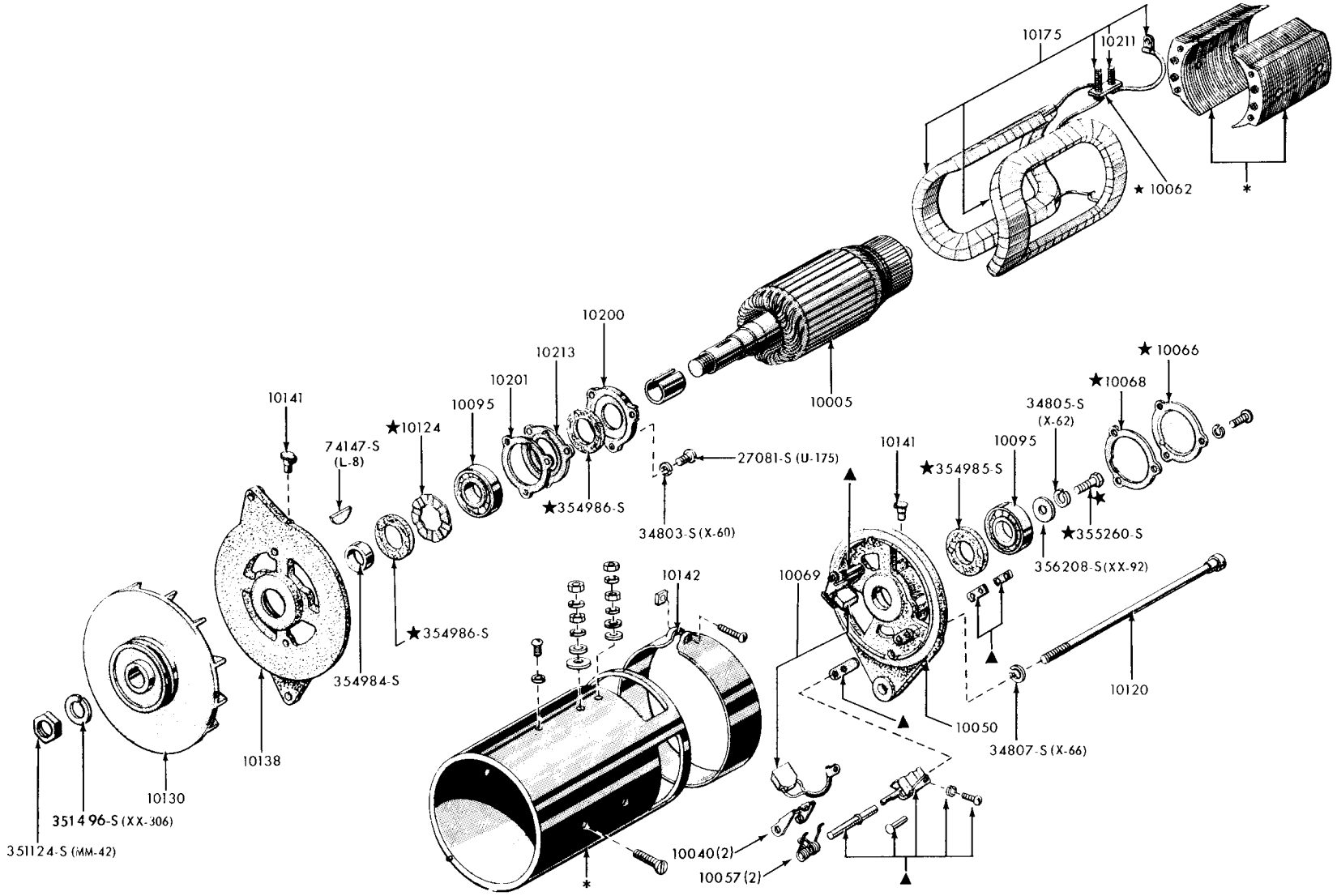
1960/64 GENERATOR and RELATED PARTS (FORD 15 VOLT-30, 35, 40 AMP.) - TYPICAL



* ALSO SUPPLIED IN 10050 REAR PLATE ASSEMBLY
 Δ ALSO SUPPLIED IN 10043 BRUSH SET

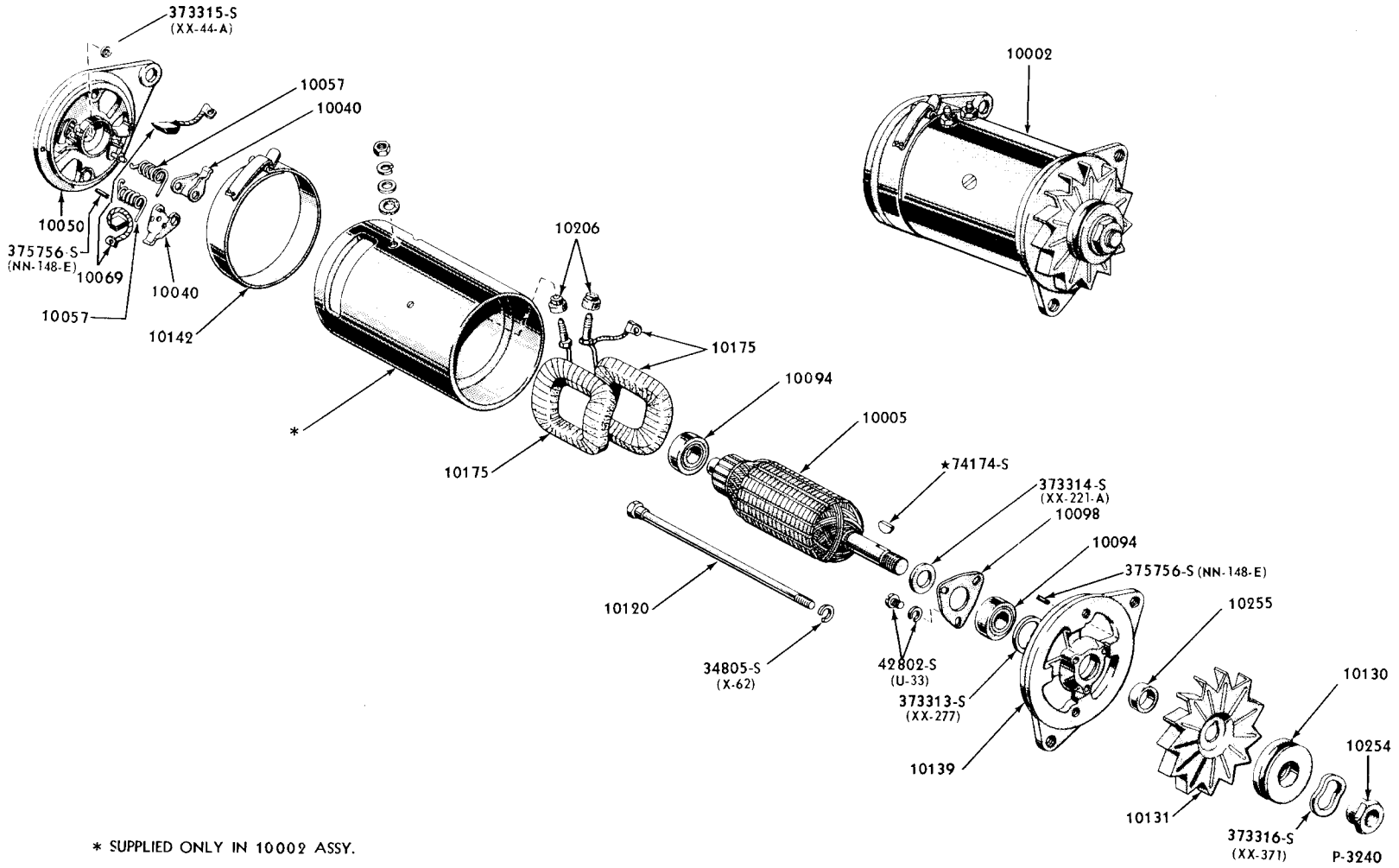
FORD CAR PARTS

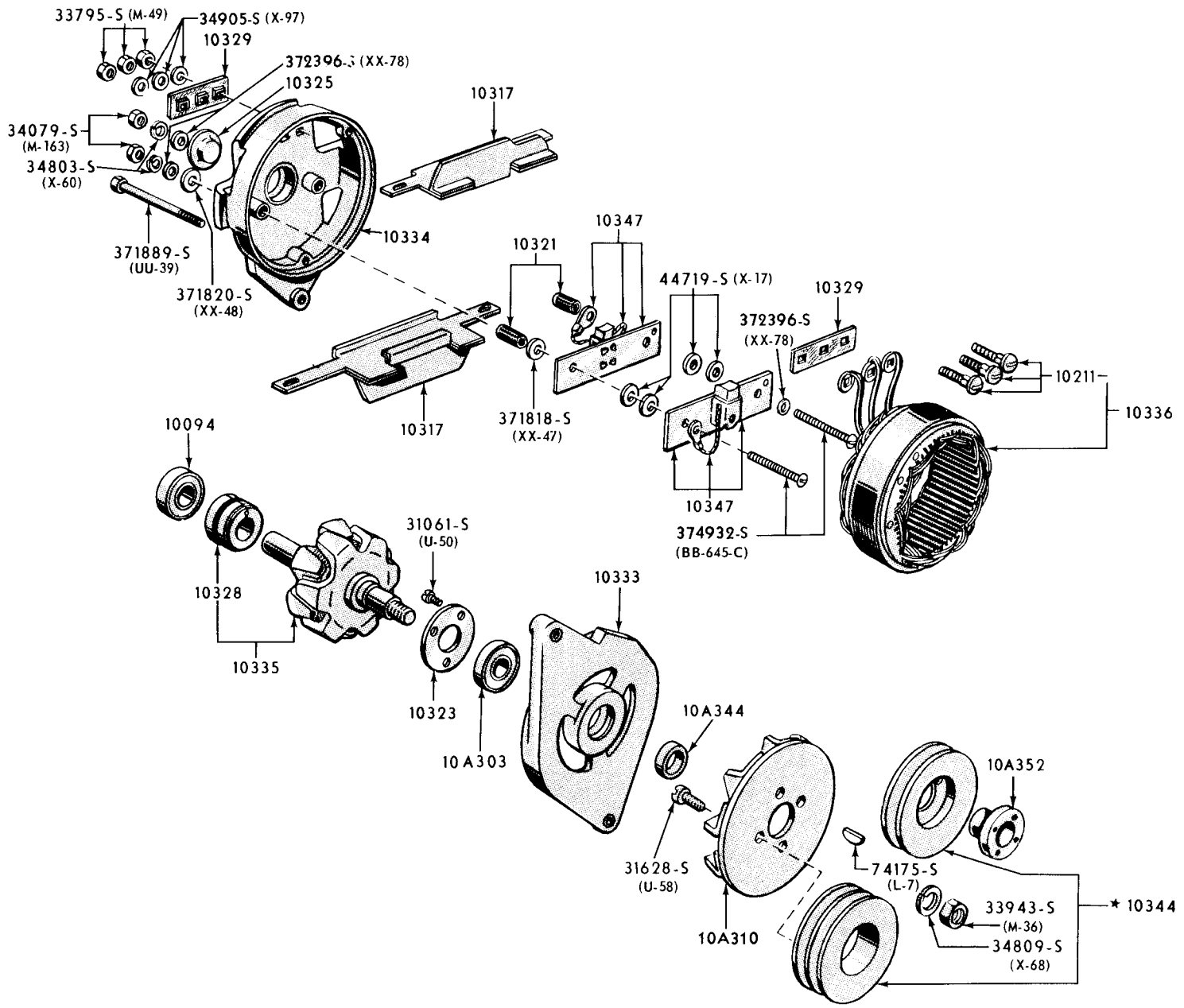
ILLUSTRATION SECTION 100



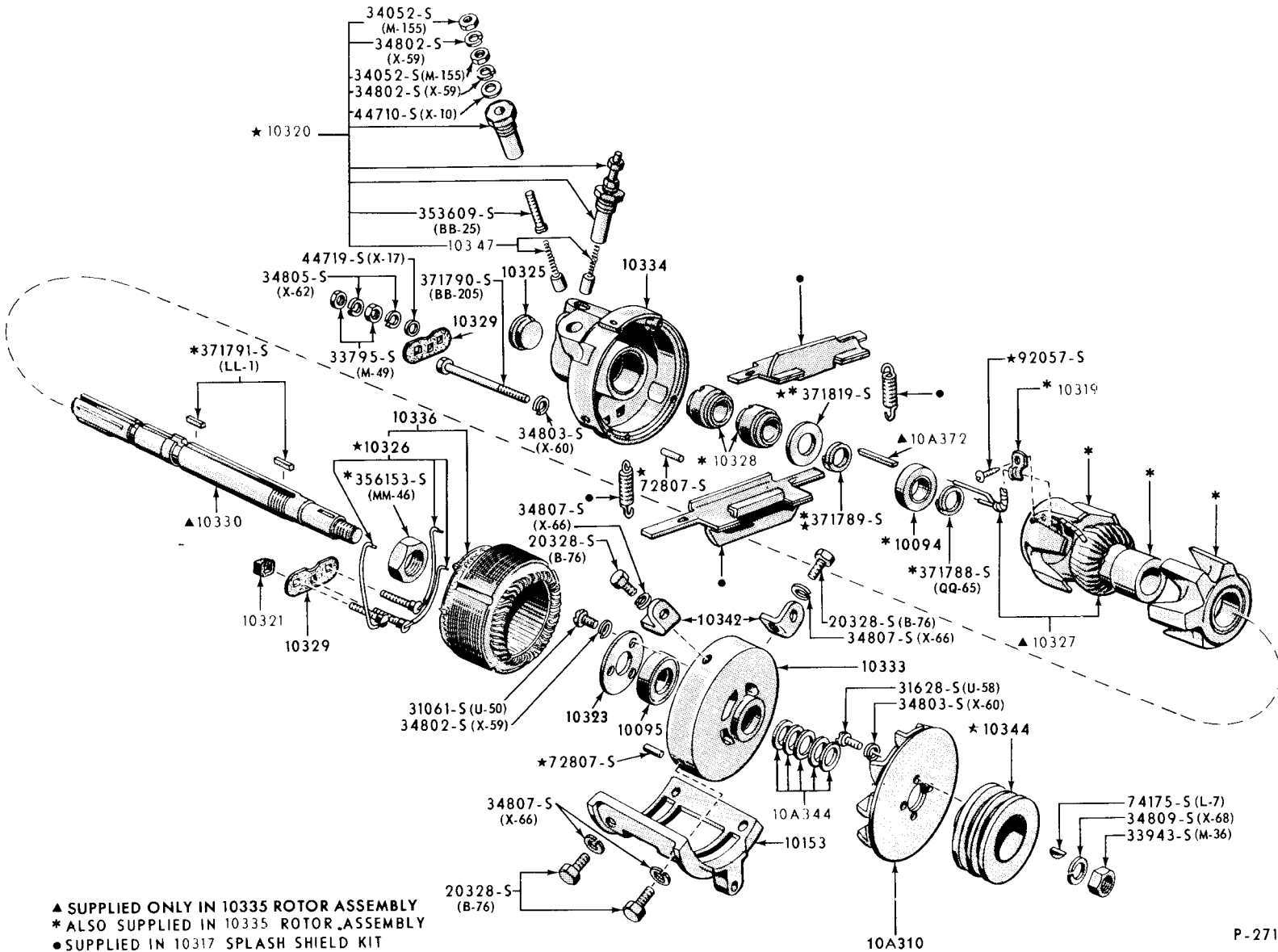
* SUPPLIED ONLY IN 10002 GENERATOR ASSEMBLY
 ▲ ALSO SUPPLIED IN 10050 BRUSH AND END PLATE ASSEMBLY

1960/64 GENERATOR and RELATED PARTS (AUTOLITE 15 VOLT-40 AMP.)



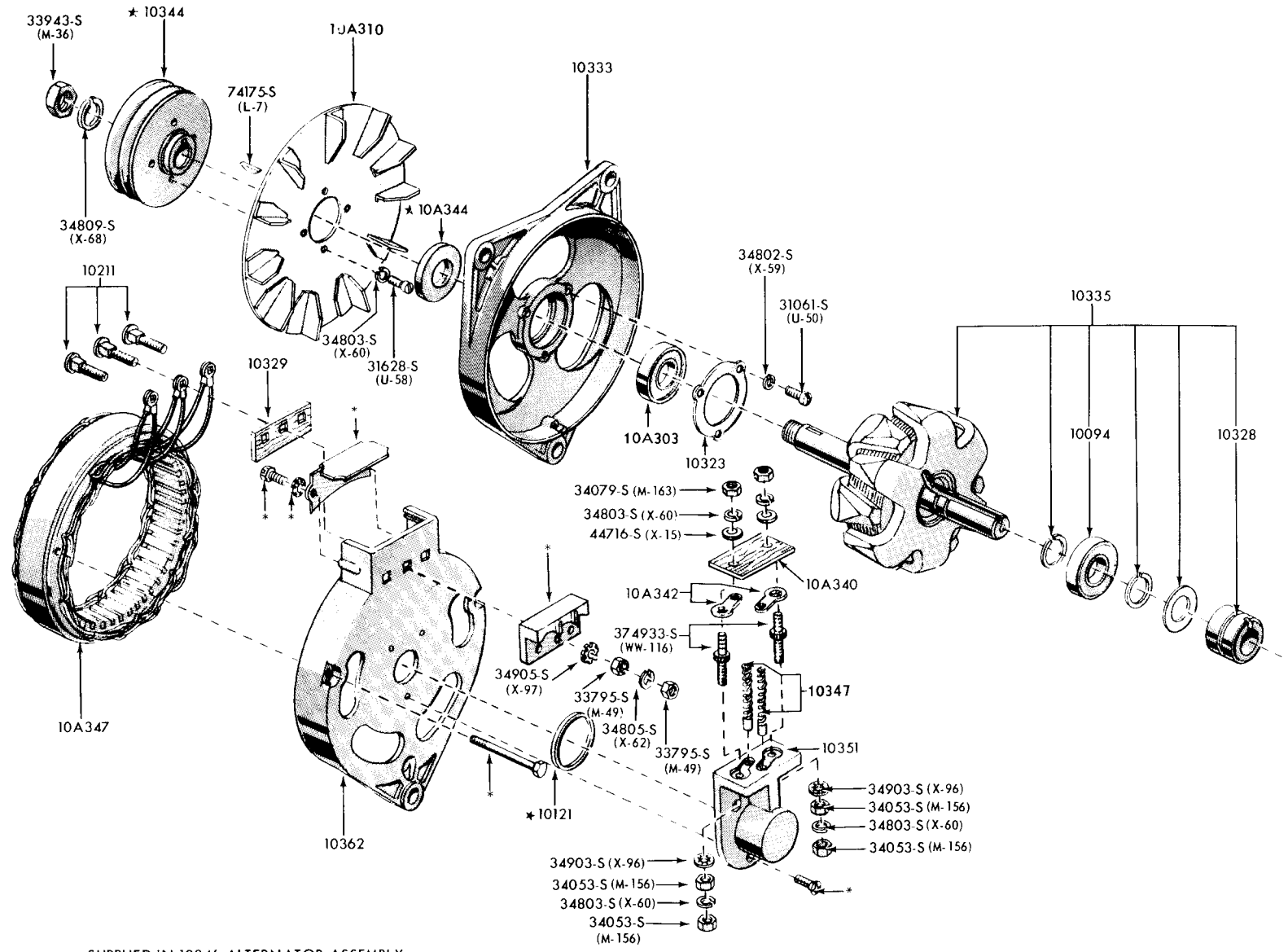


1960 ALTERNATOR (LEECE NEVILLE 15 VOLT 30, 50 AMP.)

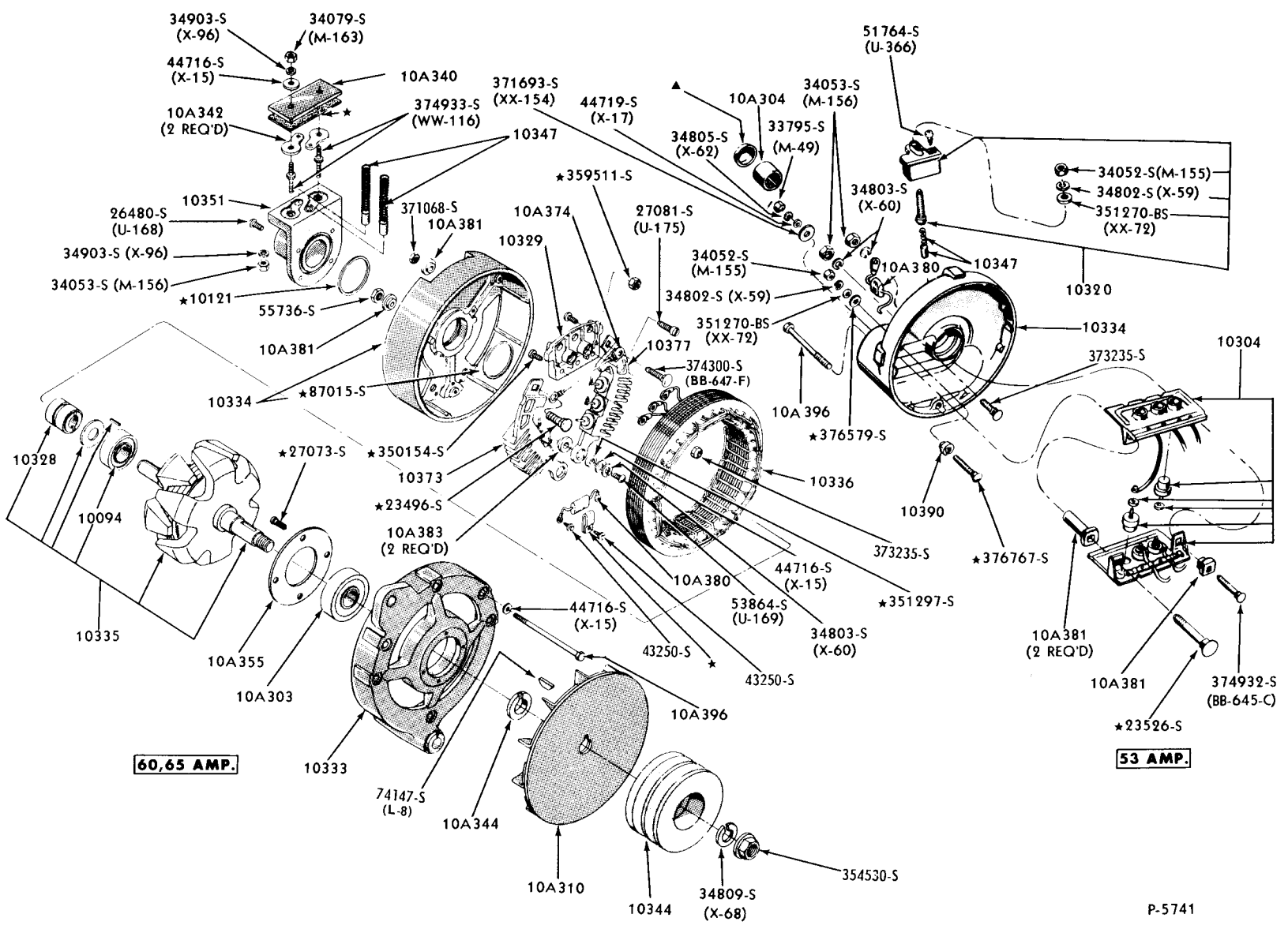


- ▲ SUPPLIED ONLY IN 10335 ROTOR ASSEMBLY
- * ALSO SUPPLIED IN 10335 ROTOR ASSEMBLY
- SUPPLIED IN 10317 SPLASH SHIELD KIT

1961 ALTERNATOR (LEECE NEVILLE 15 VOLT-50 AMP.)



* SUPPLIED IN 10346 ALTERNATOR ASSEMBLY



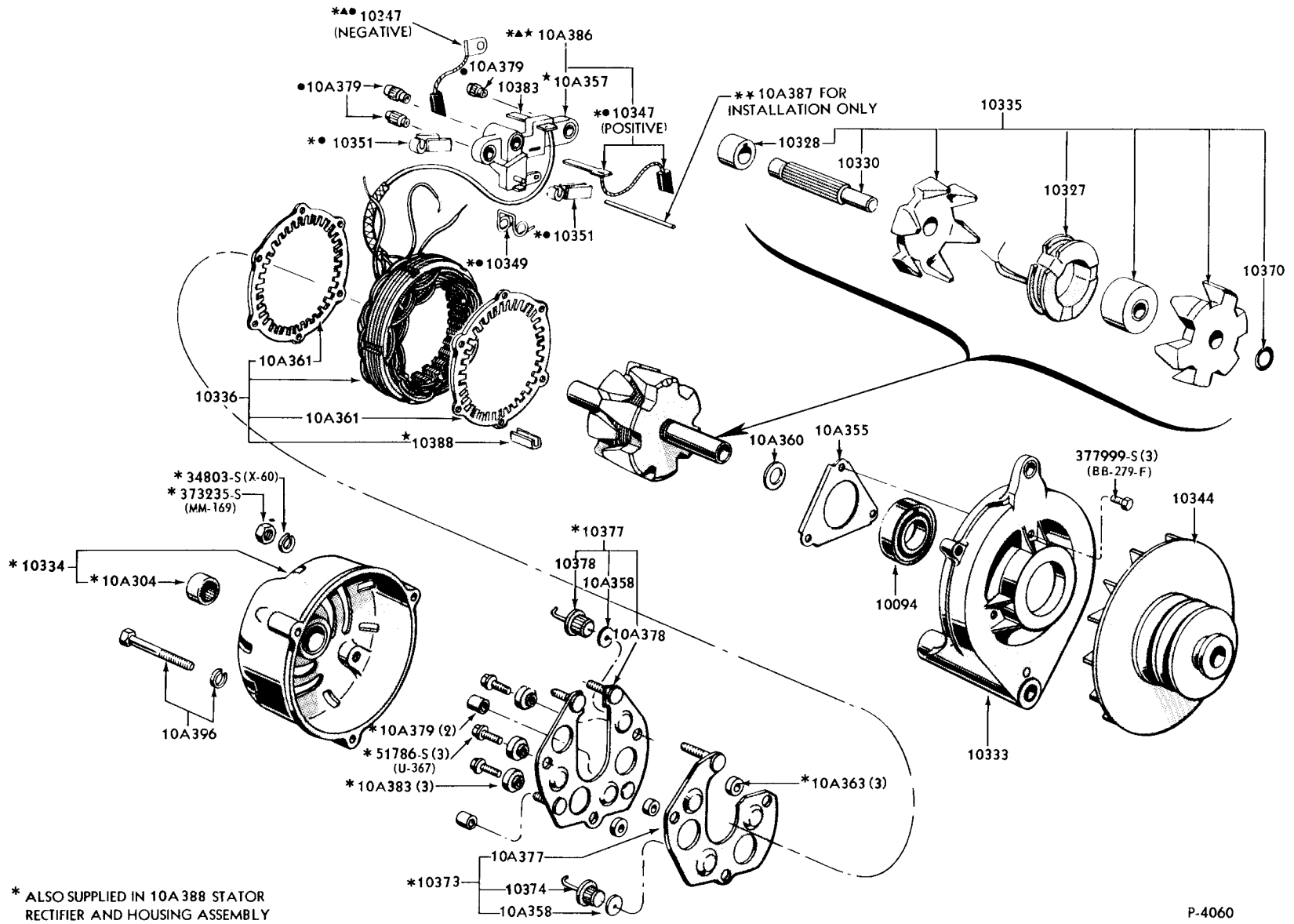
1864/ ALTERNATOR (LEACE NEVILLE 15 VOLT-53, 60, 65 AMP.)-TYPICAL

60,65 AMP.

53 AMP.

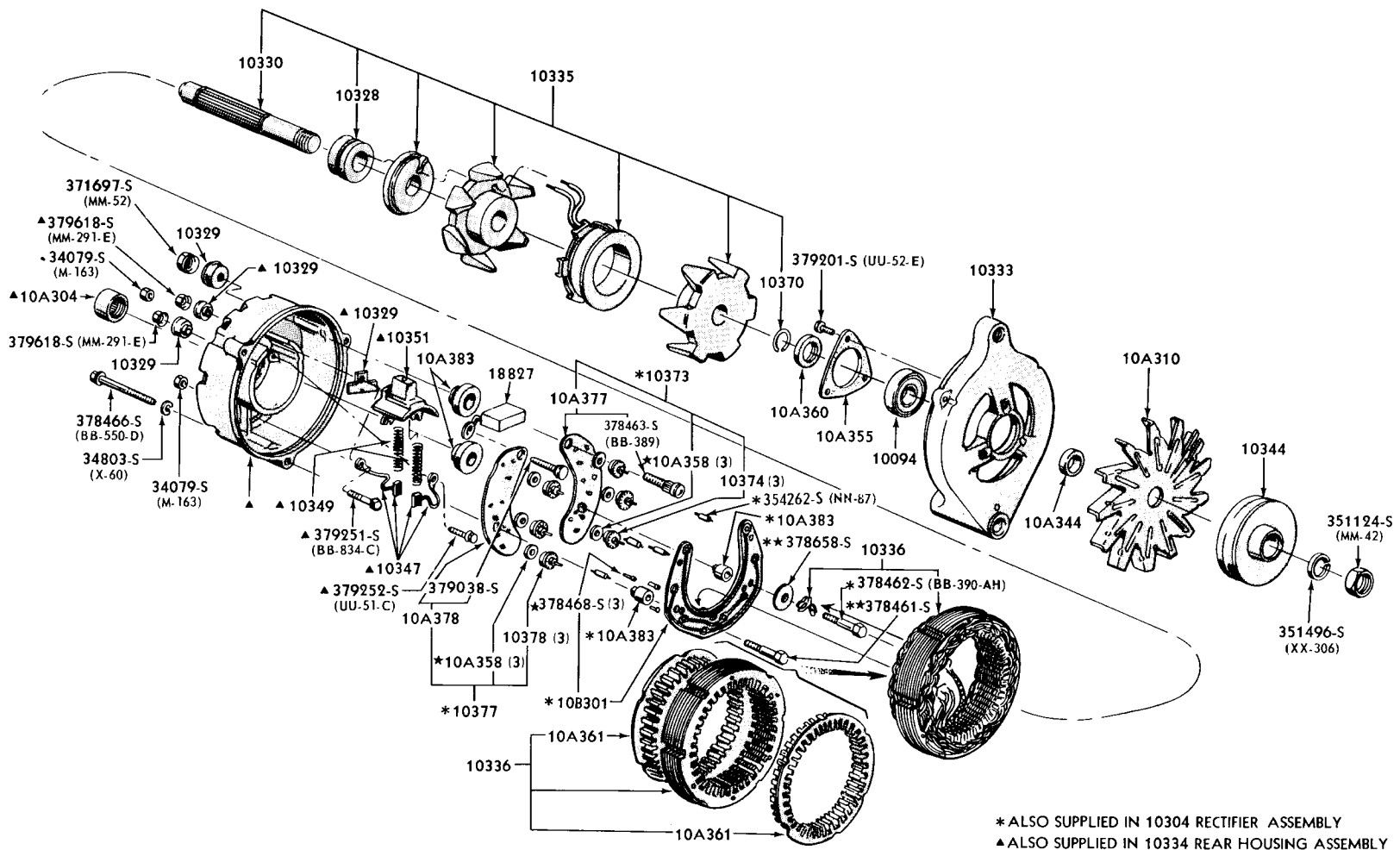
P-5741

1963/64 ALTERNATOR (FORD 15 VOLT-30, 40, 42, 52 AMP.)



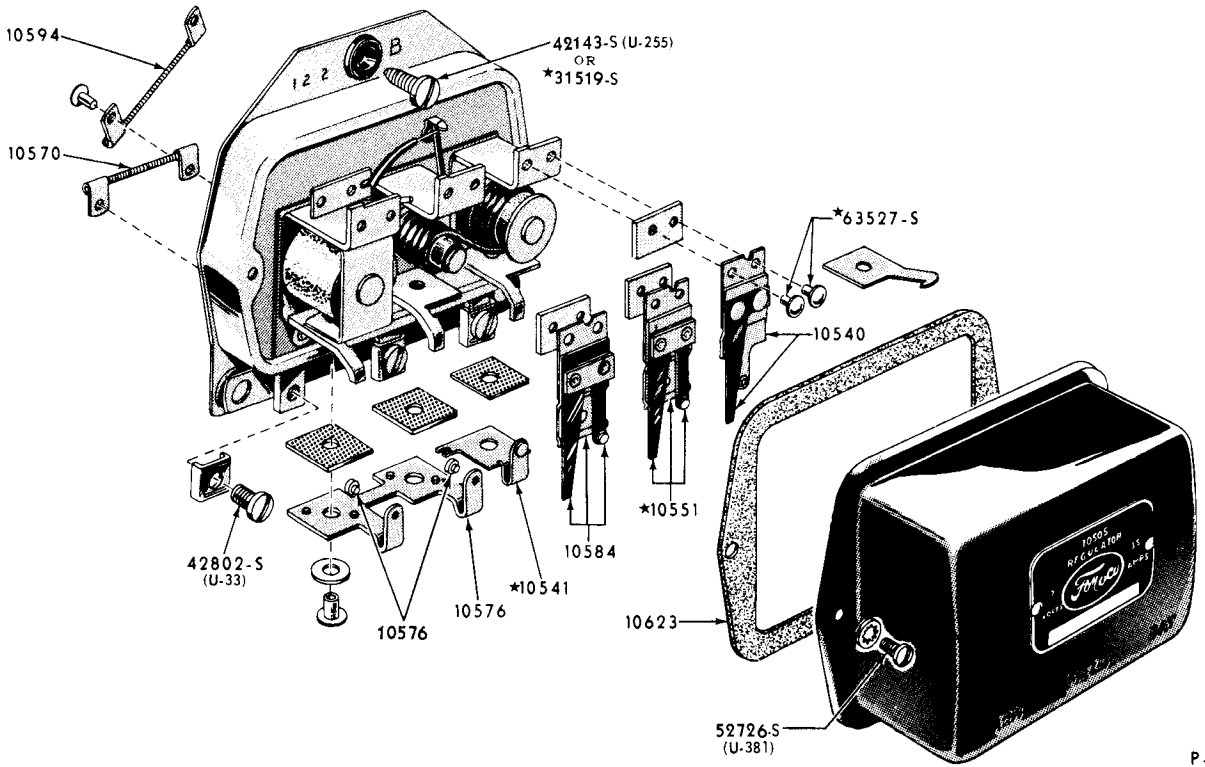
* ALSO SUPPLIED IN 10A 388 STATOR RECTIFIER AND HOUSING ASSEMBLY
 ● ALSO SUPPLIED IN 10347 TERMINAL AND BRUSH KIT
 ▲ ALSO SUPPLIED IN 10347 SPACER AND BRUSH KIT

1963/64 ALTERNATOR (FORD 16 VOLT-38, 42, 45, 55 AMP.) - PRINTED CIRCUIT TYPE



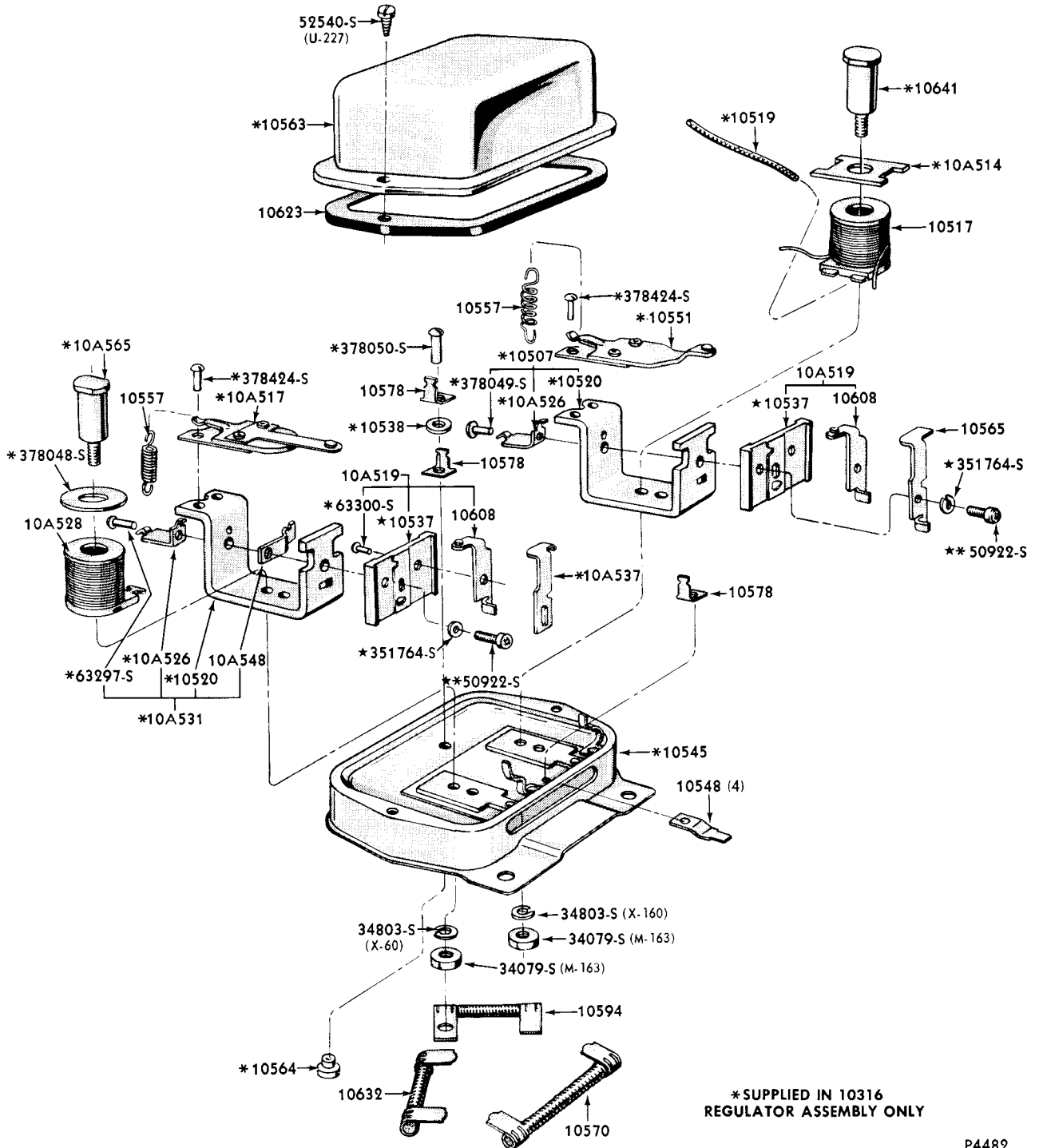
* ALSO SUPPLIED IN 10304 RECTIFIER ASSEMBLY
▲ ALSO SUPPLIED IN 10334 REAR HOUSING ASSEMBLY

P-4508

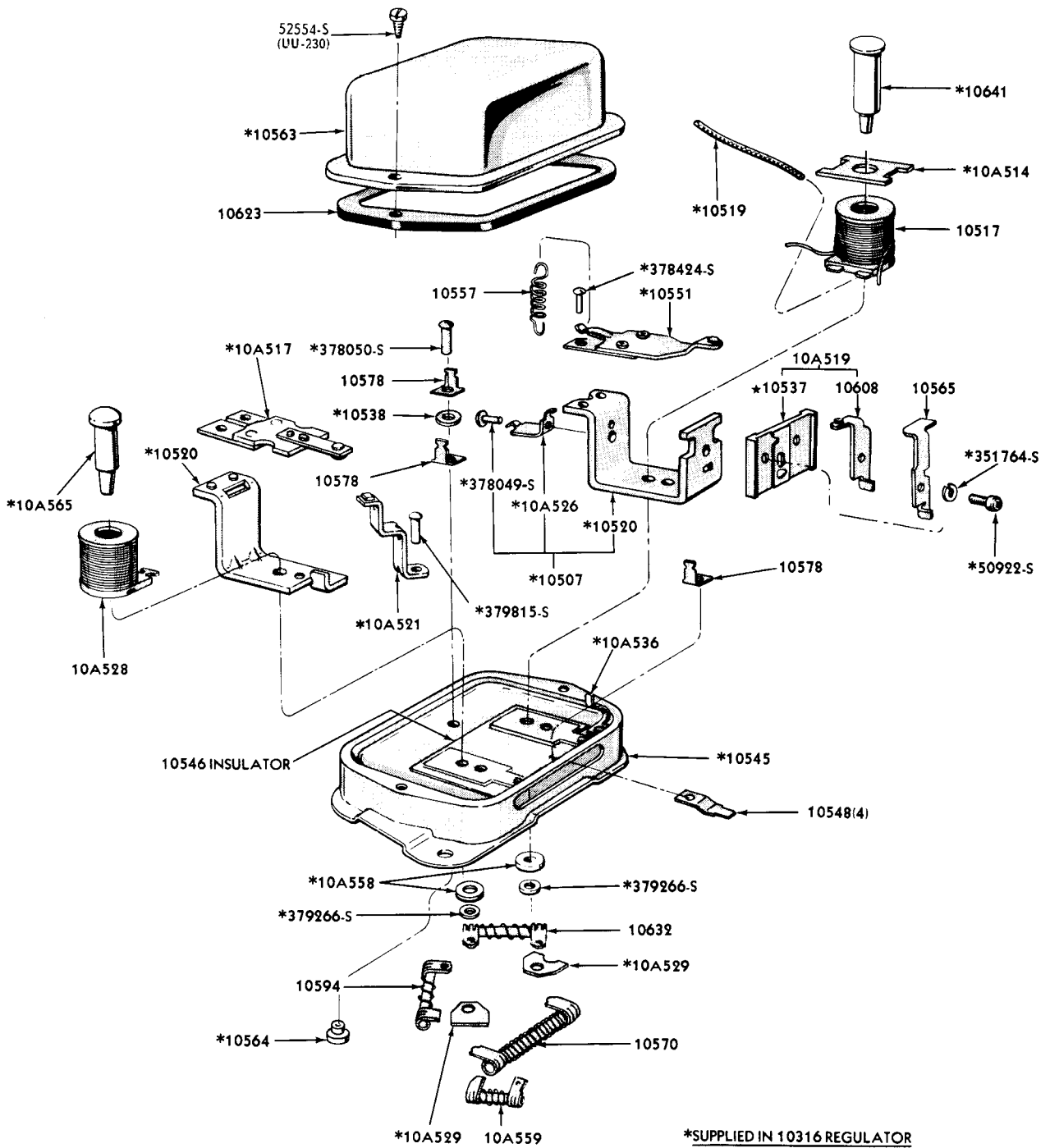


P-1535

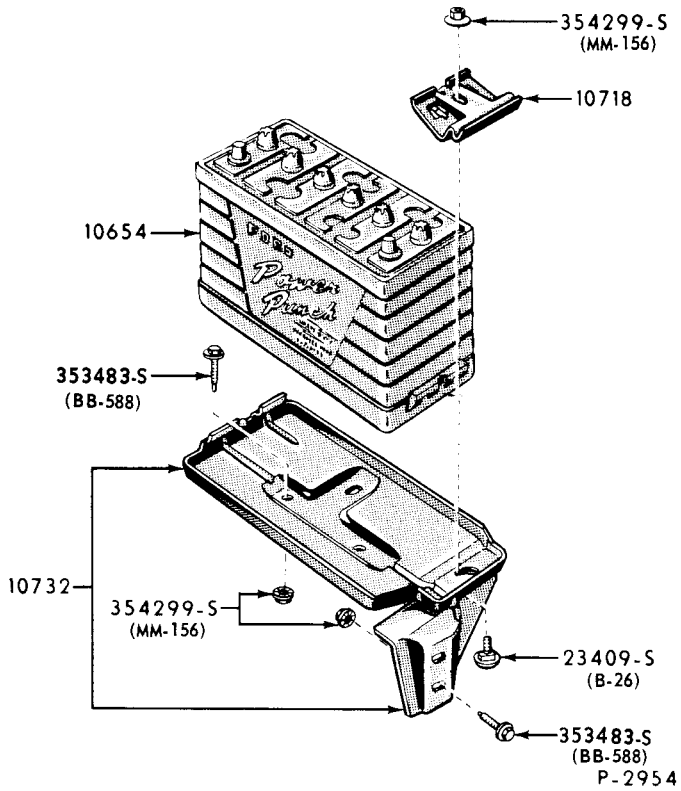
1960/ VOLTAGE REGULATOR - TYPICAL (GENERATOR)



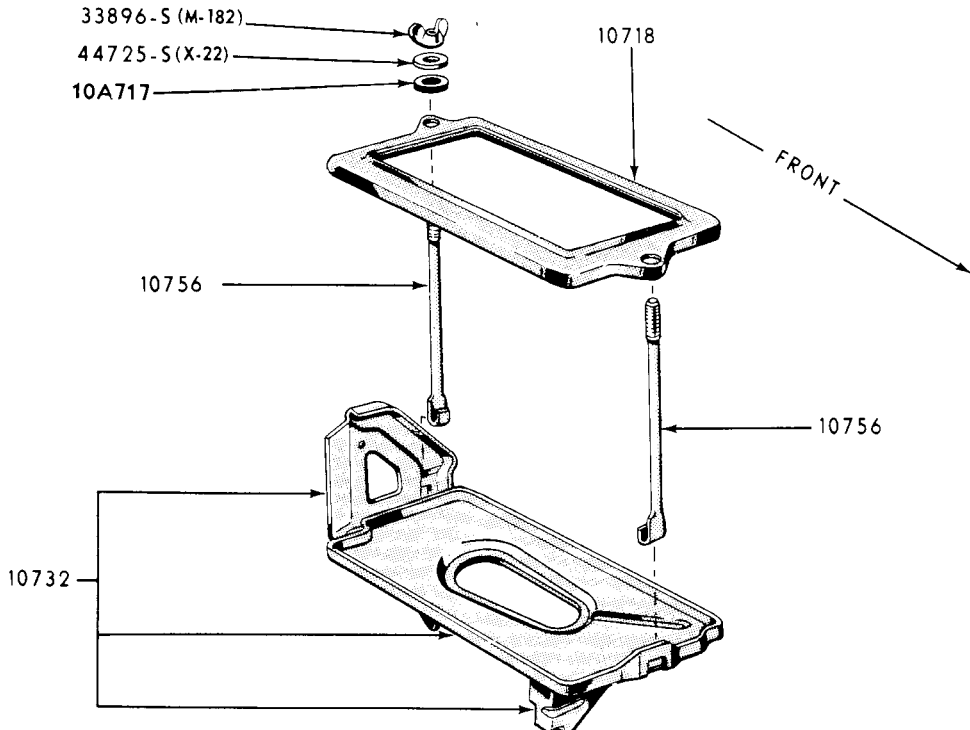
1963 VOLTAGE REGULATOR (FORD 15 VOLT NEGATIVE GROUND)- ALTERNATOR



***SUPPLIED IN 10316 REGULATOR
ASSY. ONLY**



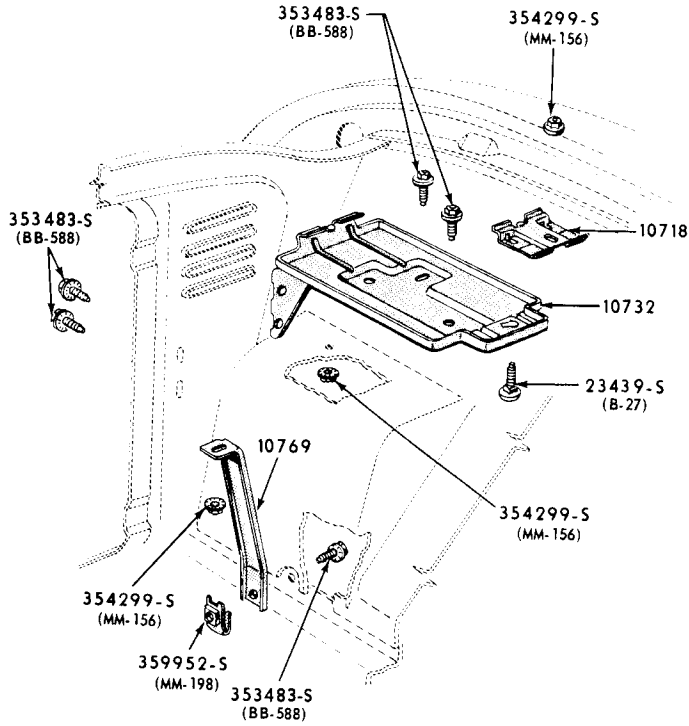
BATTERY CARRIER and RELATED PARTS
1960 FORD



P-2795

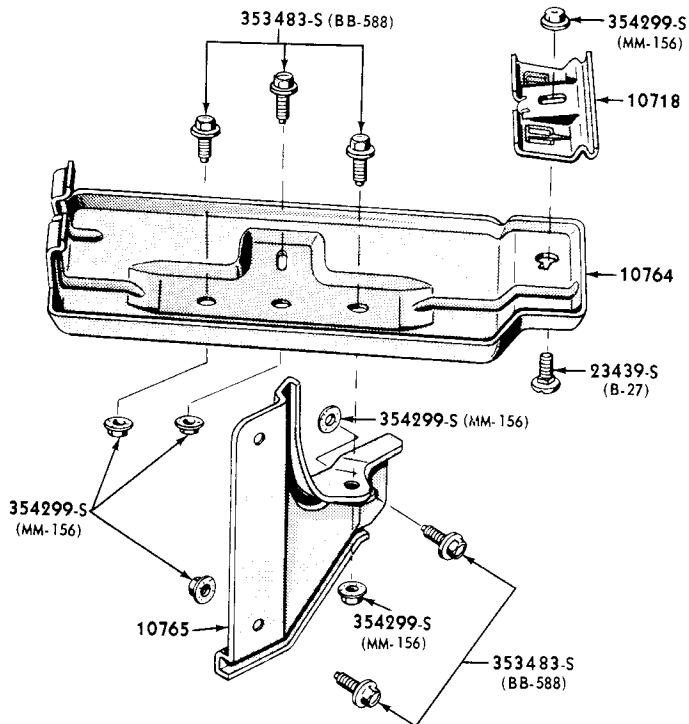
BATTERY CARRIER and RELATED PARTS
1960 THUNDERBIRD

FORD CAR PARTS



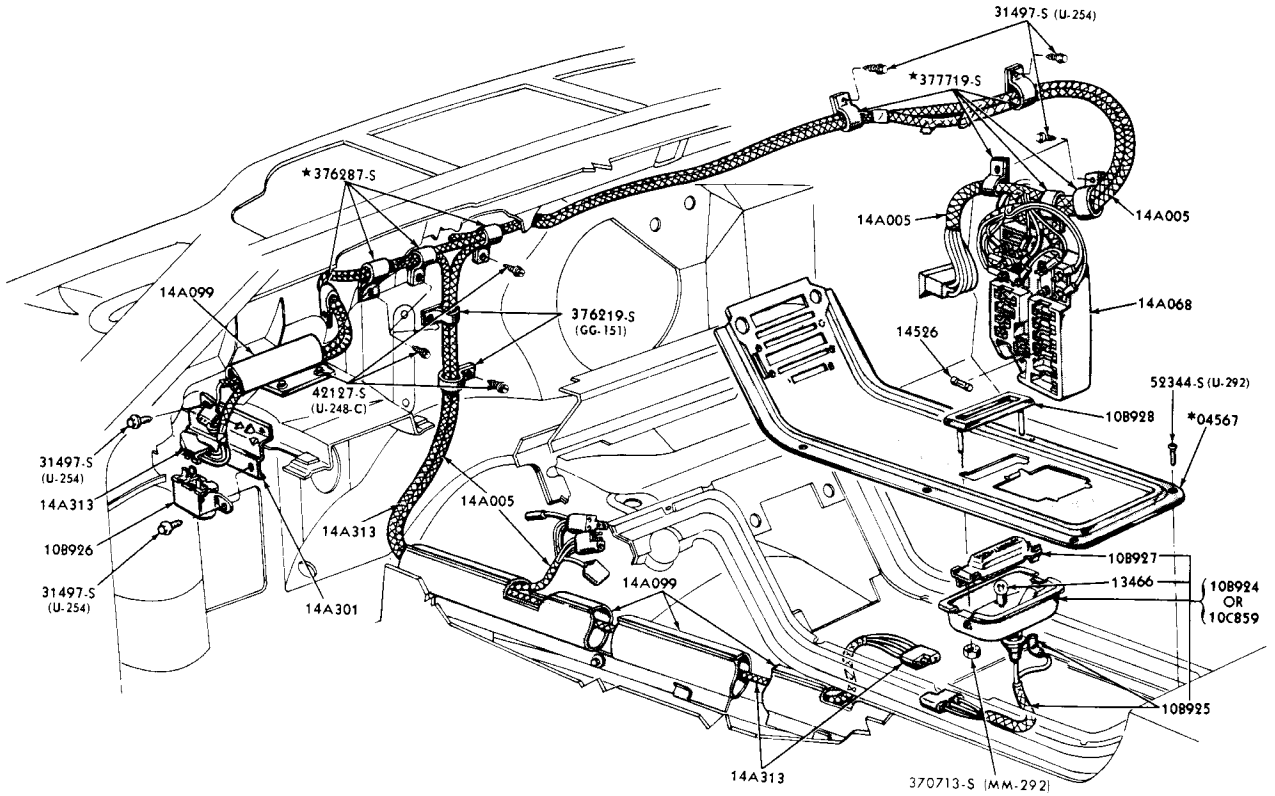
BATTERY CARRIER and RELATED PARTS
1960/ FALCON

P-3106



BATTERY CARRIER and RELATED PARTS
1961/64 FORD

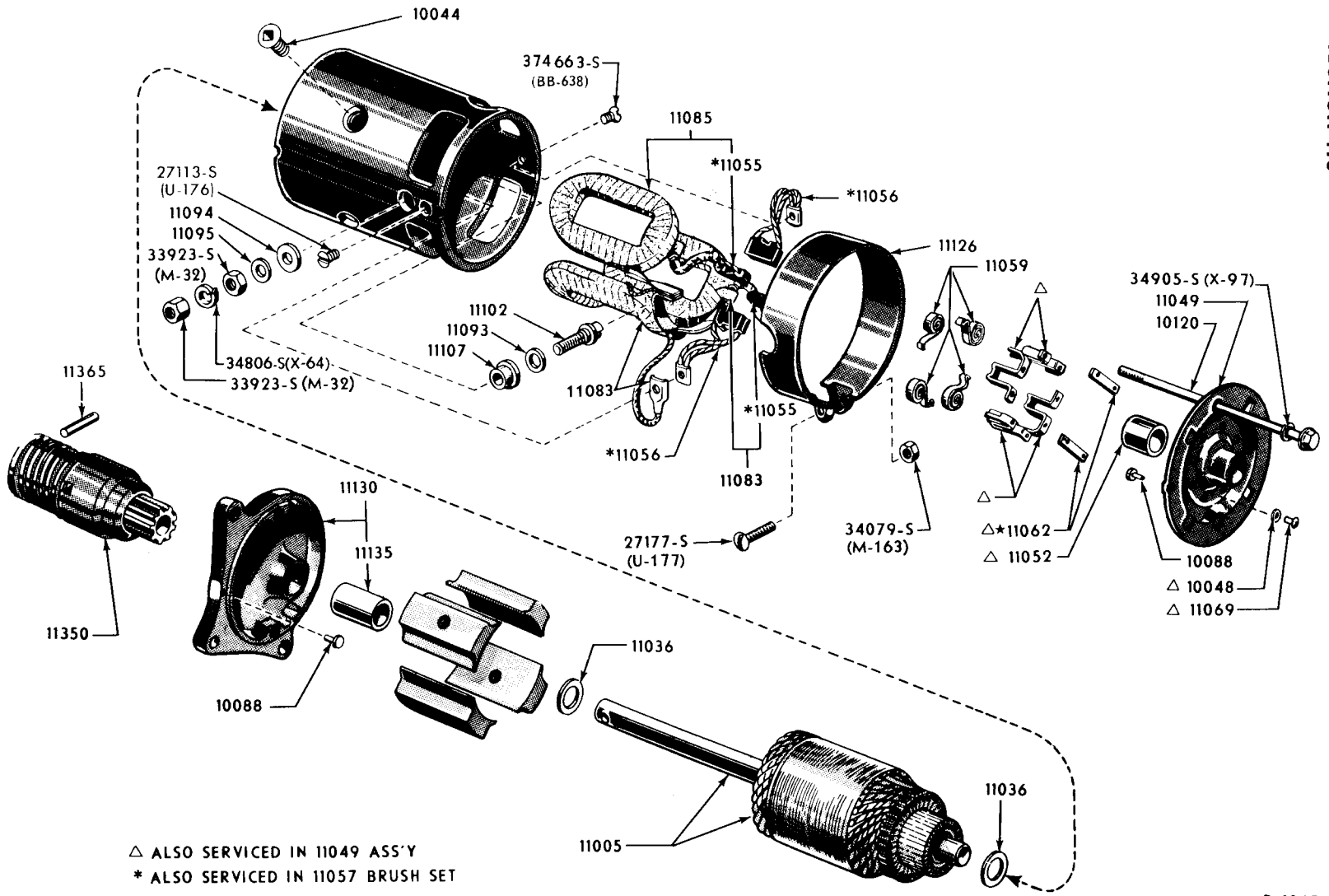
P-3257



* REFER TO BODY GROUP NUMBER

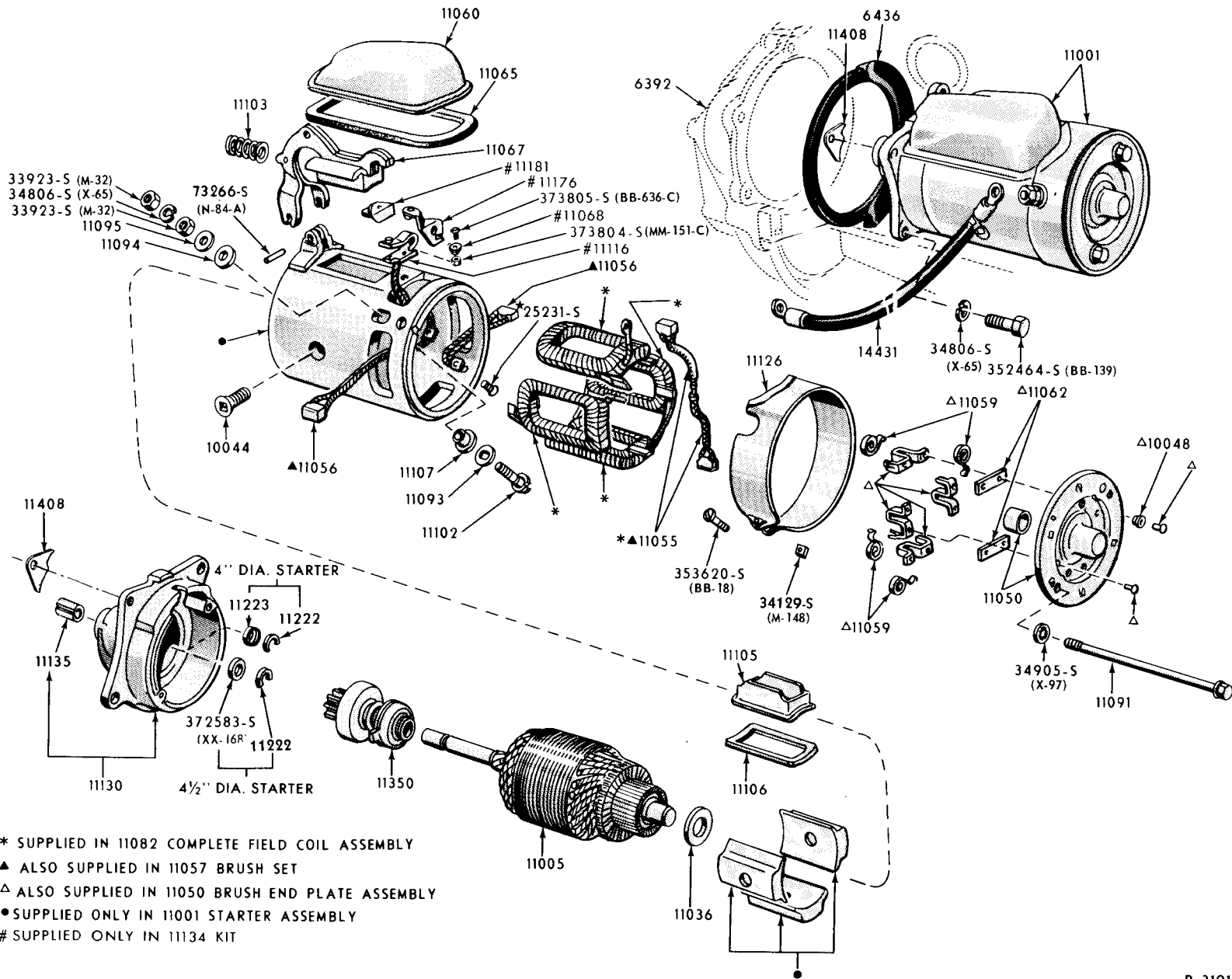
P-4405

SEAT BELT WARNING LAMP INSTALLATION
1964/ THUNDERBIRD

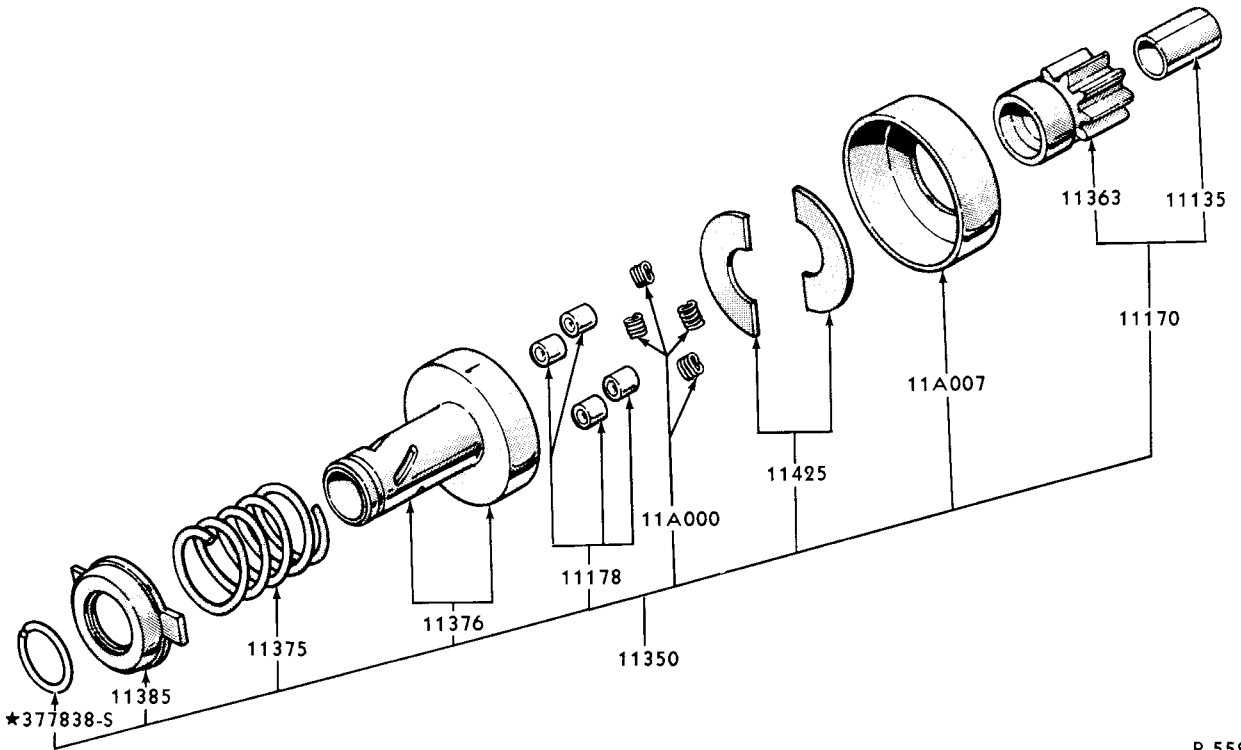


△ ALSO SERVICED IN 11049 ASS'Y
 * ALSO SERVICED IN 11057 BRUSH SET

1960/64 STARTER AND DRIVE ASSY - INERTIA-TYPICAL

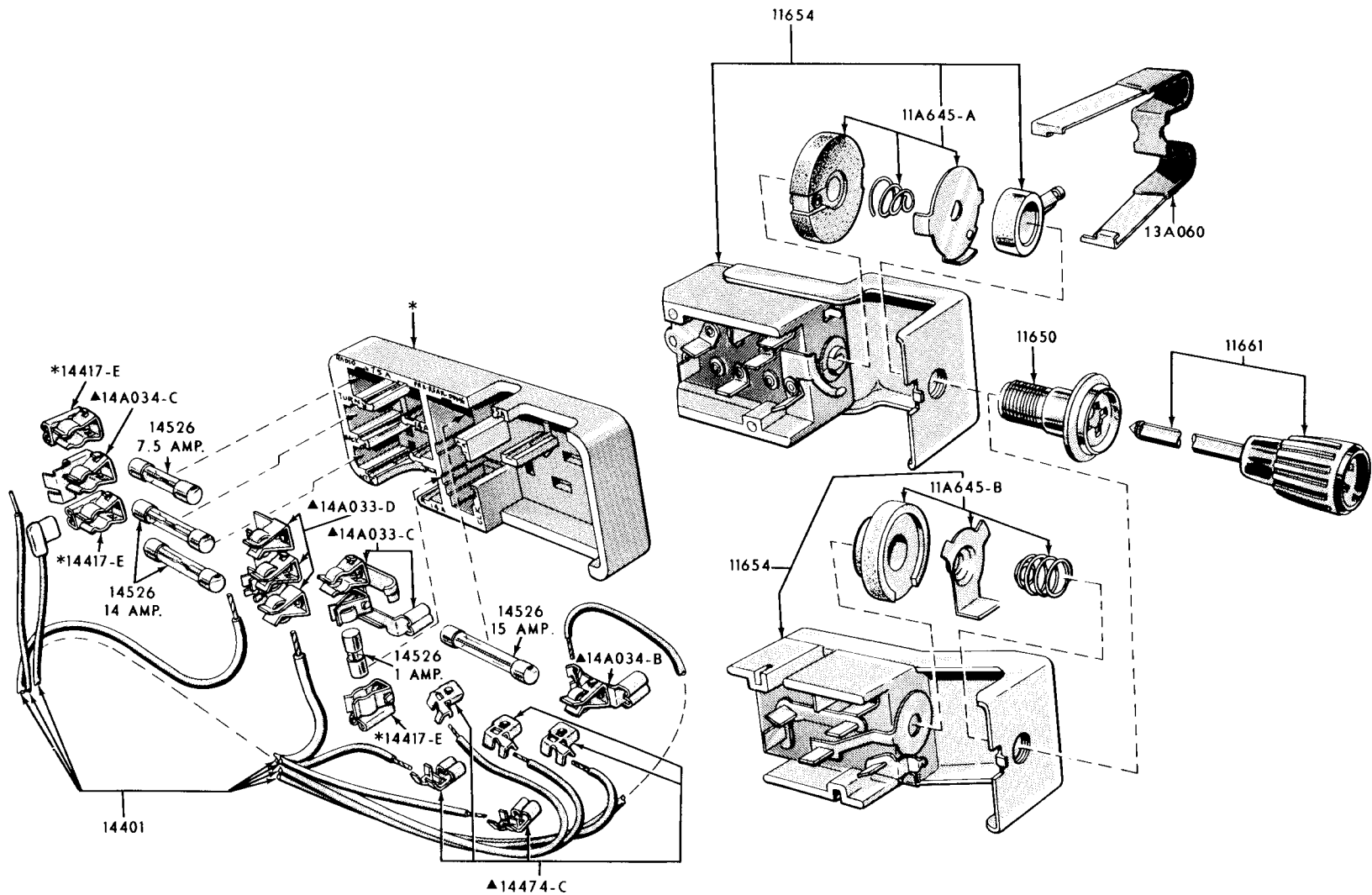


- * SUPPLIED IN 11082 COMPLETE FIELD COIL ASSEMBLY
- ▲ ALSO SUPPLIED IN 11057 BRUSH SET
- △ ALSO SUPPLIED IN 11050 BRUSH END PLATE ASSEMBLY
- SUPPLIED ONLY IN 11001 STARTER ASSEMBLY
- # SUPPLIED ONLY IN 11134 KIT

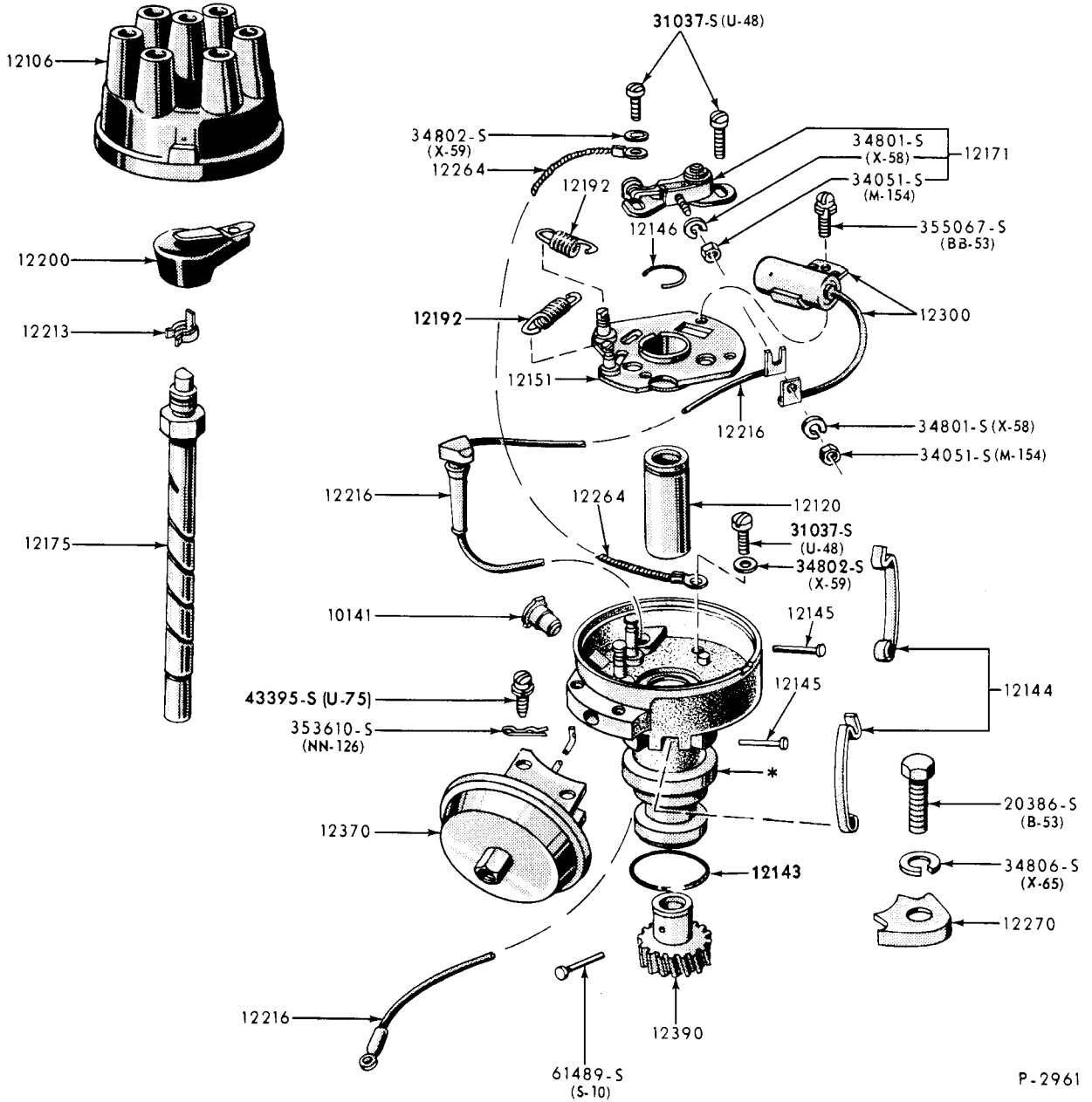


P-5526

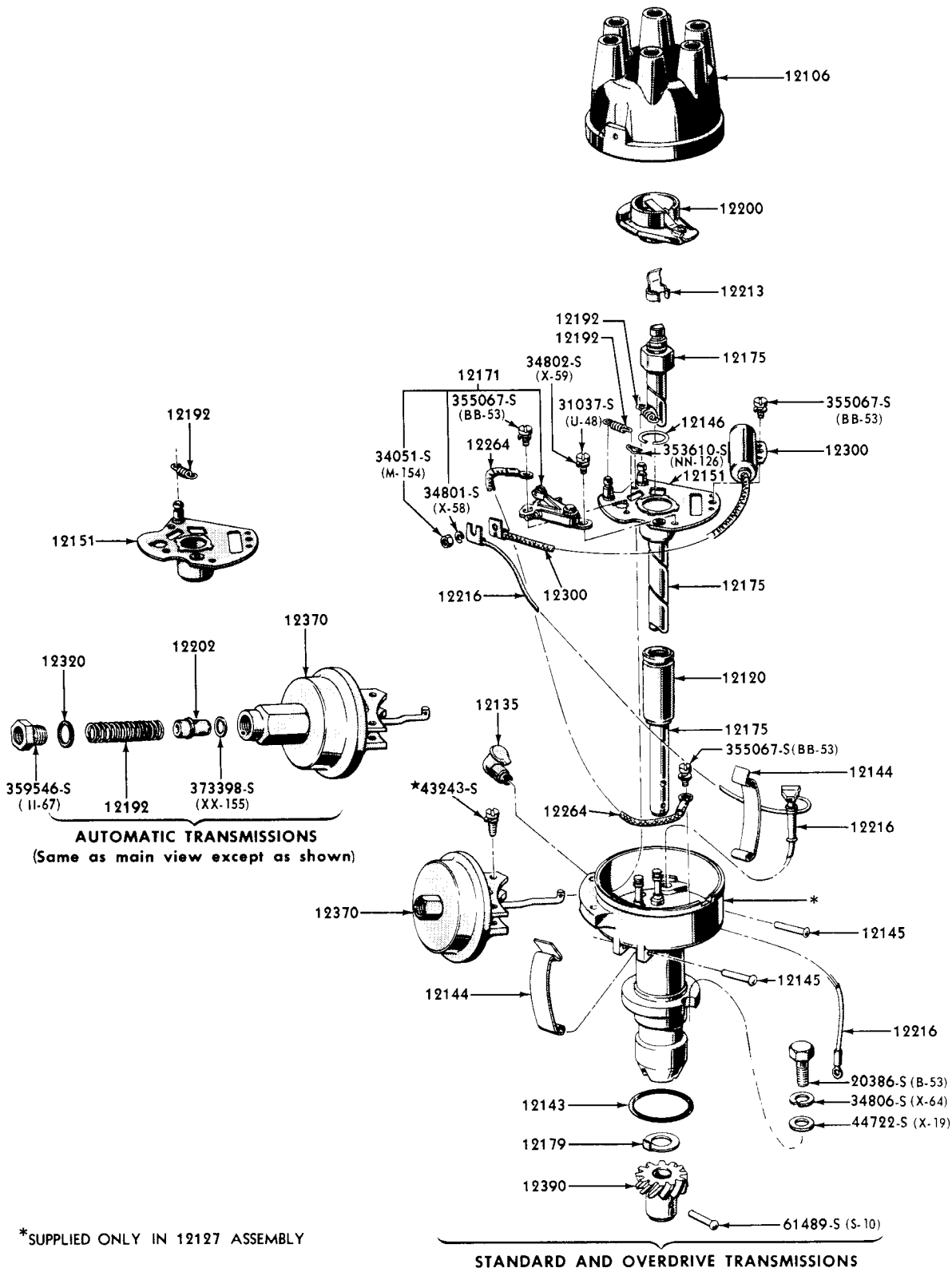
1960/ STARTER DRIVE (FORD 12 VOLT-POSITIVE ENGAGEMENT)



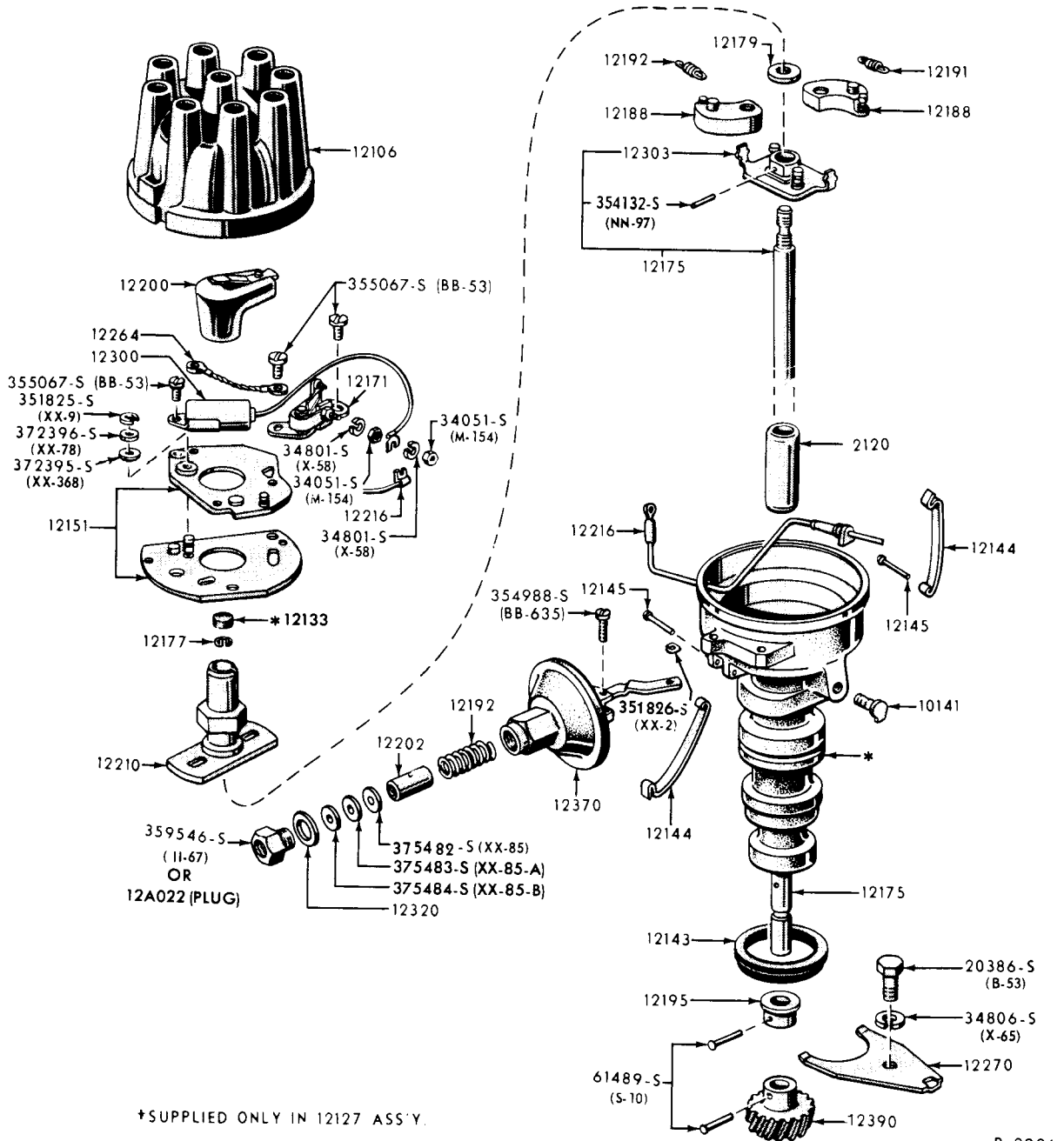
*ALSO SUPPLIED IN 11A647 JUNCTION BLOCK ASSEMBLY
 ▲ALSO SUPPLIED IN 14401 WIRING ASSEMBLY

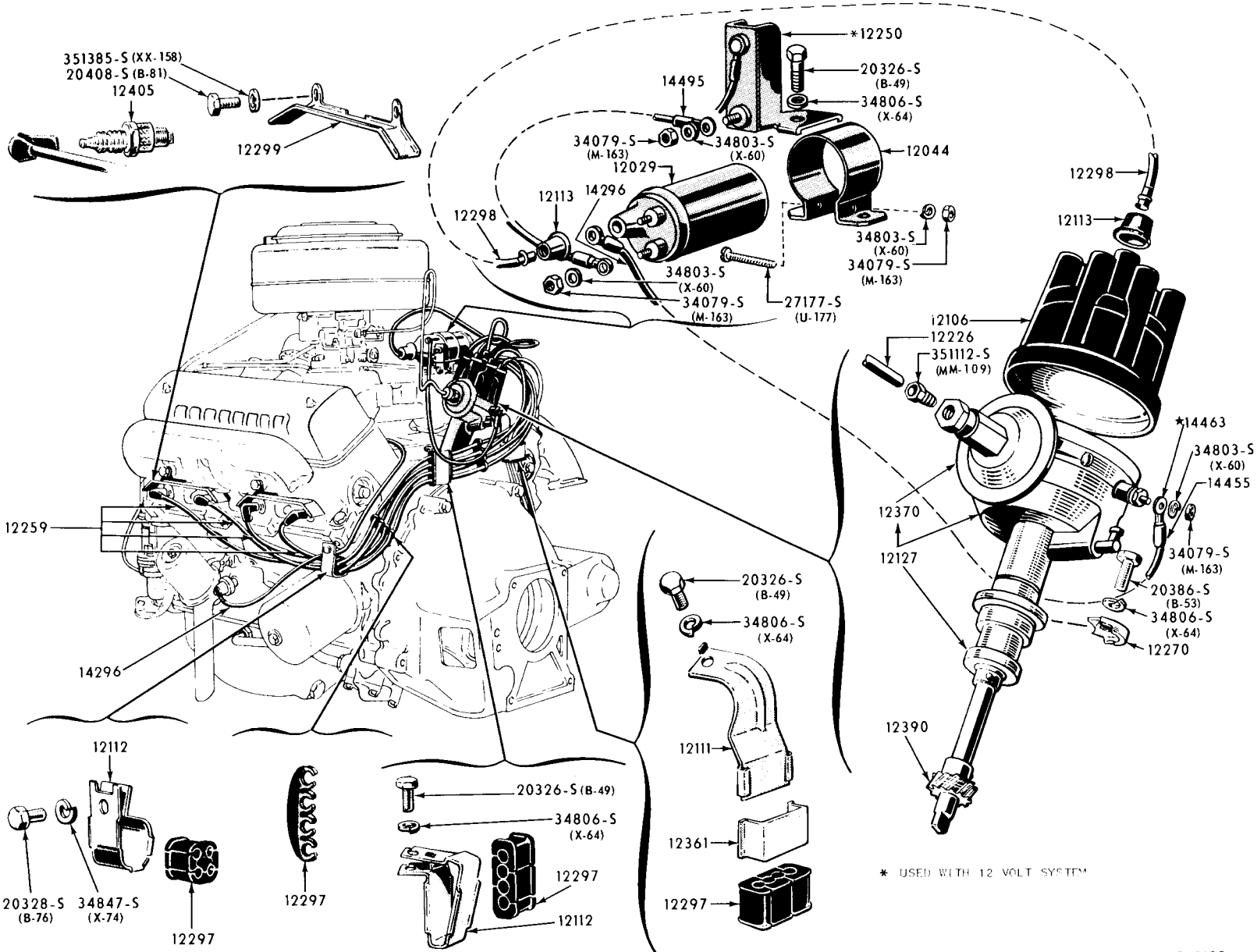


P-2961



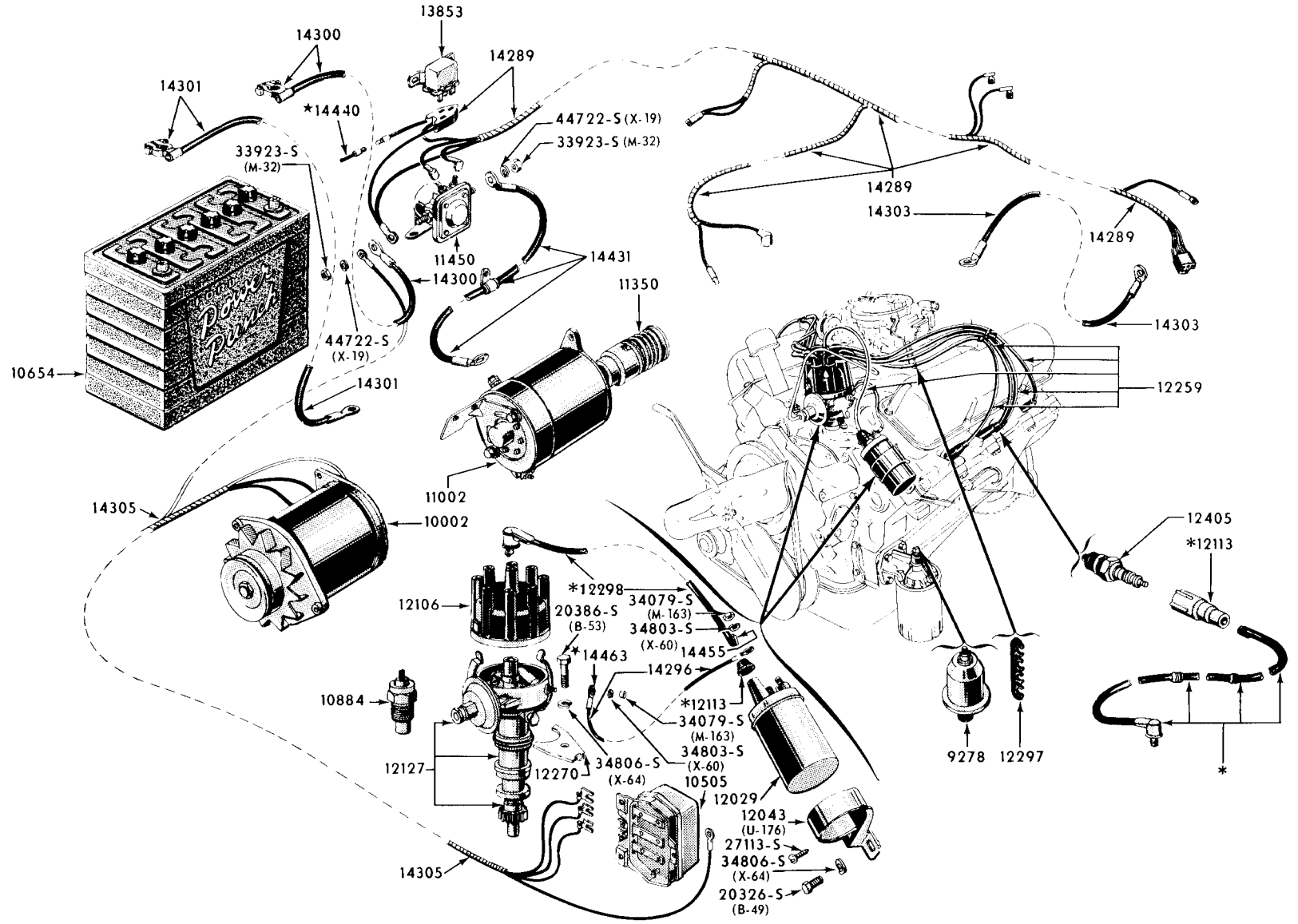
*SUPPLIED ONLY IN 12127 ASSEMBLY



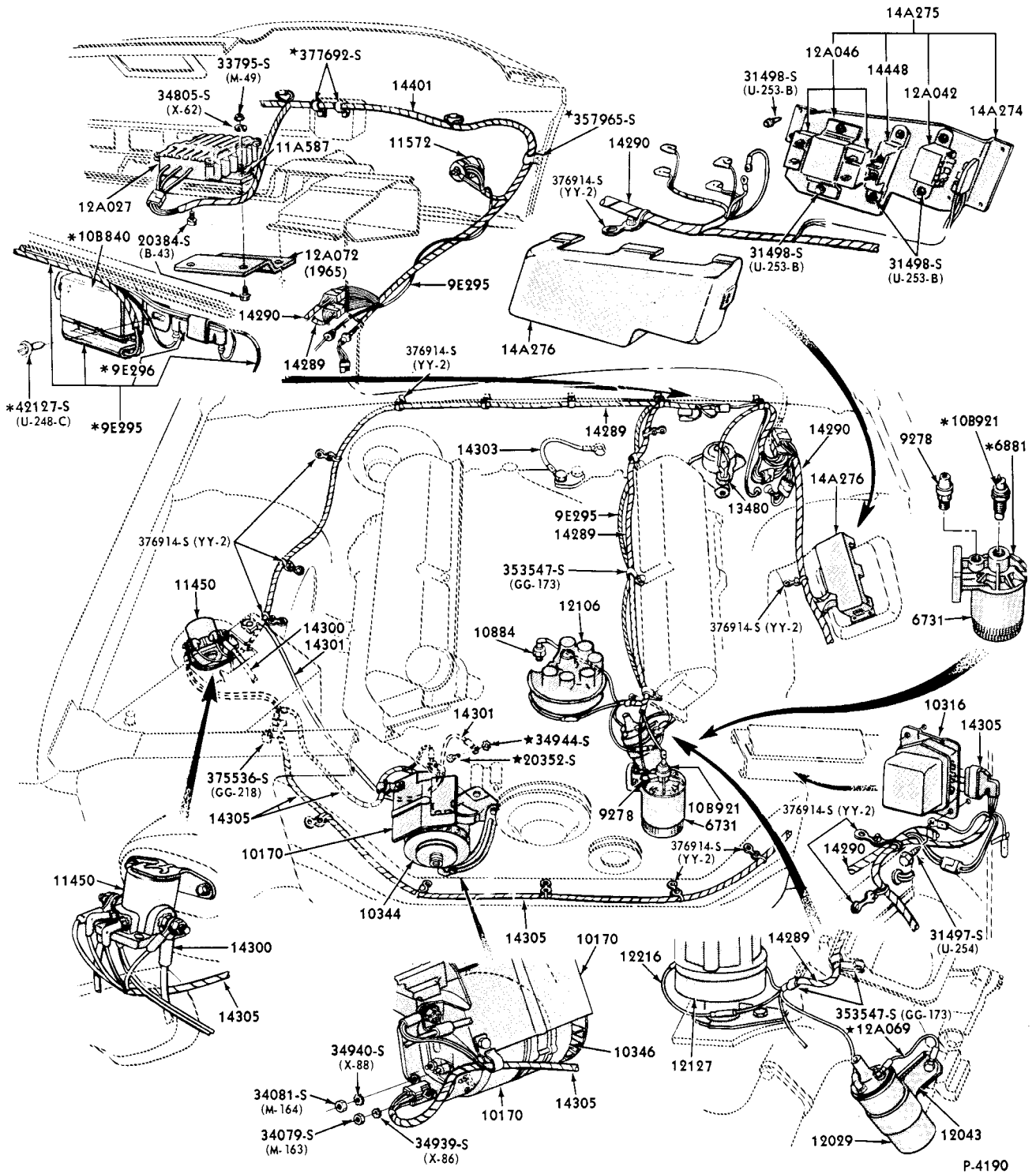


* USED WITH 12 VOLT SYSTEM

1960/64 IGNITION WIRING (8 CYLINDER 352, 390 & 430 ENGINES)-TYPICAL

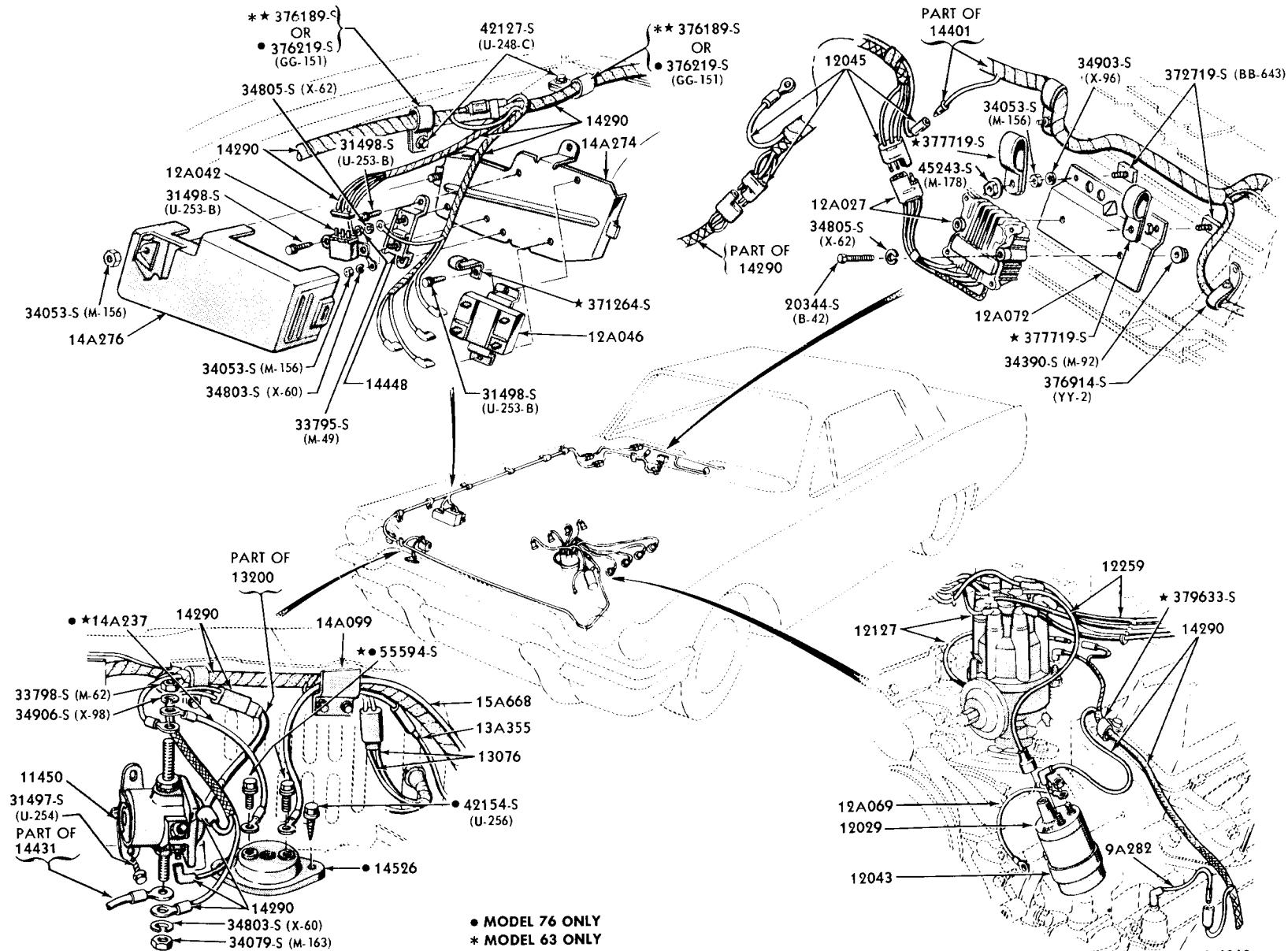


*ALSO SUPPLIED IN 12259 SPARK PLUG WIRE SET



* USED WITH ENGINE OIL TEMPERATURE WARNING SYSTEM

1963/ TRANSISTORIZED IGNITION SYSTEM, OIL TEMPERATURE WARNING SYSTEM & RELATED PARTS (8 CYLINDER 427 ENGINE)(FORD)



INDEX

INCLUDED IN THIS INDEX ARE THE FOLLOWING MAJOR GROUPS IN THE ORDER SHOWN BELOW:

BACK-UP LAMPS	ELECTRIC WINDOW CONTROLS	REAR LAMPS
CONVERTIBLE TOP ELECTRICAL SYSTEM	HEADLAMPS	SAFETY CONVENIENCE PKG.
COURTESY LAMPS	HORN BUTTON OR RING	TRANSISTORIZED IGN. SYSTEM
DOMELAMPS	LICENSE LAMPS	TURN INDICATOR
ELECTRIC SEAT CONTROLS	PARKING LAMPS	WIRING SYSTEM
	PILLAR OR INTERIOR LAMPS	

YEAR	TITLE	ILLUS. NO.	SECTION	PAGE
BACK-UP LAMP (LISTED UNDER REAR LAMPS)				
CONVERTIBLE TOP ELECTRICAL SYSTEM				
- A -				
1960/34	Convertible Top Electrical System (Ford)	P-3373	140	460
- S -				
1960	Convertible Top Electrical System (Composite)-Thunderbird	P-3179	140	461
1961/82	Convertible Top Electrical System (Composite)-Thunderbird	P-3397	140	464
1963	Convertible Top Electrical System (Composite)-Thunderbird	P-4158	140	465
1934/	Convertible Top Electrical System (Composite)-Thunderbird	P-4783	140	469
1960	Convertible Top Electrical System (Luggage Compartment - Forward Section)-Thunderbird	P-3181	140	462
1961/83	Convertible Top Electrical System (Luggage Compartment-Forward Section)-Thunderbird	P-3398	140	466
1964/	Convertible Top Electrical System (Luggage Compartment-Forward Section)-Thunderbird	P-4787	140	470
1960	Convertible Top Electrical System (Luggage Compartment Door & Rear Section)-Thunderbird	P-3180	140	463
1951/33	Convertible Top Electrical System (Luggage Compartment Door & Rear Section)-Thunderbird	P-3399	140	467
1964/	Convertible Top Electrical System (Luggage Compartment Door & Rear Section)-Thunderbird	P-4788	140	471
- X -				
1963/	Convertible Top Electrical System (Falcon)	P-4783	140	468
COURTESY LAMPS				
- A -				
1964	Luggage Compartment Lamp, Wiring & Related Parts (Ford)	P-4535	137	430
1962/64	Courtesy Lamp & Wiring-Interior Door (Ford-Galaxie 500-XL)	P-3891	137	428
- B -				
1964	Luggage Compartment Lamp, Wiring & Related Parts (Fairlane)	P-4535	137	430
1964/	Courtesy Lamps & Wiring-Instrument Panel (Fairlane)	P-4593	137	431
1964/	Courtesy Lamp & Wiring-Interior Door (Fairlane)	P-4534	137	432
- S -				
1960	Glove & Luggage Compartment Lamps & Wiring (Thunderbird)	P-3213	137	426
1964	Luggage Compartment Lamp, Wiring & Related Parts (Thunderbird)	P-4535	137	430
1960	Map Lamp (Thunderbird)	P-2999	137	426
1961/63	Map Lamp, Cigar Lighter & Glove Box Lamp (Thunderbird)	P-3279	137	427
1963/64	Courtesy Lamp & Wiring-Interior Door (Thunderbird)	P-4136	137	428
- X -				
1964	Luggage Compartment Lamp, Wiring & Related Parts (Falcon)	P-4535	137	430
1964/	Courtesy Lamps & Wiring-Instrument Panel (Falcon)	P-4417	137	431
DOMELAMPS				
- A -				
1964	Cargo Area Lamp (Ford-Station Wagon)	P-4509	137	429
1960/64	Dome Lamp (Ford)-Typical	P-2996	137	424
- B -				
1964/	Cargo Area Lamp (Fairlane-Station Wagon)	P-4509	137	429
1962/	Dome Lamp (Fairlane)-Typical	P-2996	137	424
- S -				
1960	Dome Lamp (Thunderbird)	P-2837	137	425
1961/63	Dome Lamp & Luggage Compartment Lamp (Thunderbird 63A)	P-3280	137	425
- X -				
1960	Dome Lamp (Falcon)-Typical	P-3115	137	424
1961/	Dome Lamp (Falcon)	P-2996	137	424
1964/	Cargo Area Lamp (Falcon-Station Wagon)	P-4509	137	429

INDEX

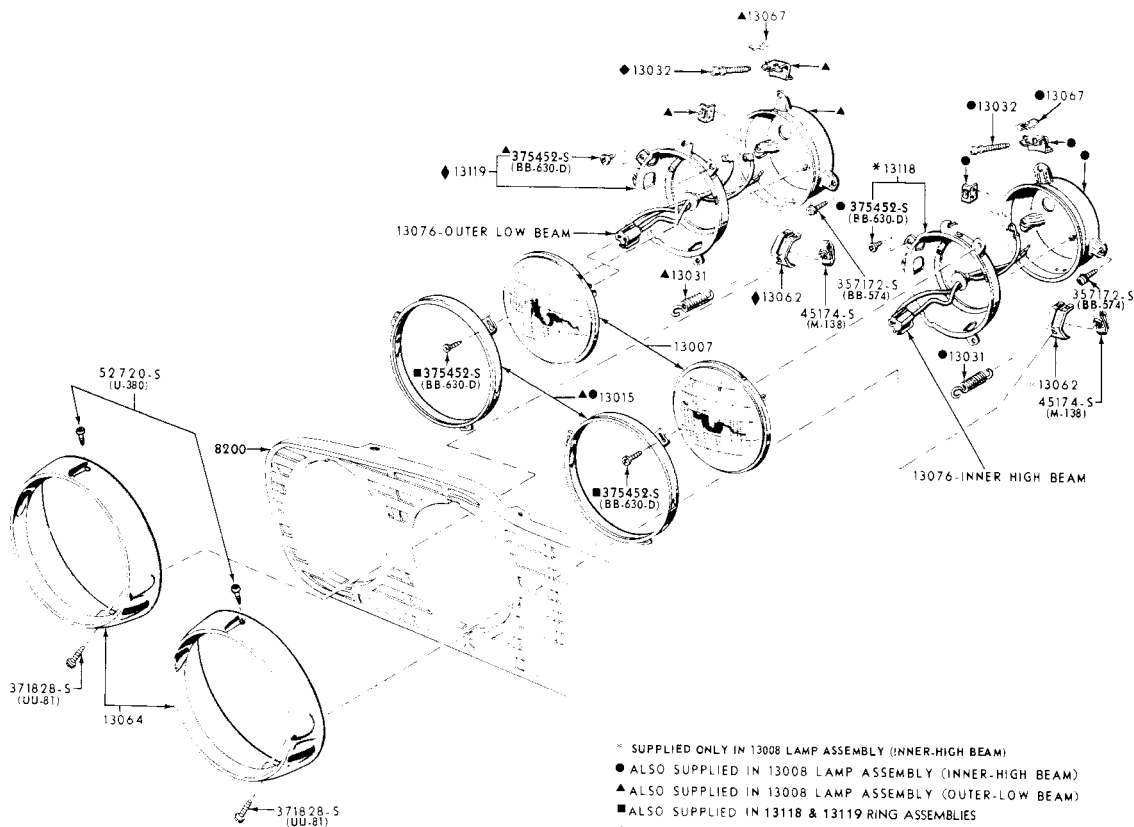
YEAR	TITLE	ILLUS. NO.	SECTION	PAGE
ELECTRIC SEAT CONTROLS				
- A -				
1960/64	Electrical 4-Way Seat Regulator & Related Parts (Ford)	P-3228	140	454
- S -				
1960	Electrical 4-Way Seat Regulator & Related Parts (Thunderbird)	P-3247	140	455
1961/62	Electrical 4-Way Seat Regulator & Related Parts (Thunderbird)	P-3431	140	456
1963	Electrical 4-Way Seat Regulator & Related Parts (Thunderbird)	P-4141	140	452
1964/	Electrical 4-Way Seat Regulator & Related Parts (Thunderbird)	P-4855	140	453
ELECTRIC WINDOW CONTROLS				
- A -				
1960 64	Electrical Window Regulator & Related Parts (Ford)-Typical	P-3153	140	449
1961/64	Electrical Tailgate Window Regulator & Wiring System (Ford-Station Wagon)	P-3298	140	457
- B -				
1963/	Electrical Tailgate Window Regulator & Wiring System (Fairlane-Station Wagon)	P-4791	140	458
- S -				
1960	Electrical Window Regulator & Related Parts (Thunderbird)	P-3195	140	450
1961/62	Electrical Window Regulator & Related Parts (Thunderbird)	P-3435	140	451
1963	Electrical Window & 4-Way Seat Regulator (Thunderbird)	P-4141	140	452
1964/	Electrical Window Regulator & Wiring System (Thunderbird)	P-4855	140	453
- X -				
1960/	Electrical Tailgate Window Regulator & Wiring System (Falcon Station Wagon)-Typical	P-3205	140	459
HEADLAMP				
- A -				
1960	Headlamp (Ford)	P-2958	130	403
1961	Headlamp (Ford)	P-3239	130	404
1962	Headlamp (Ford)	P-3637	130	406
1963	Headlamp (Ford)	P-3897	130	407
1964	Headlamp (Ford)	P-4201	130	408
- B -				
1962	Headlamp (Fairlane)	P-3645	130	407
1963	Headlamp (Fairlane)	P-3897	130	407
1964	Headlamp (Fairlane)	P-4202	130	408
- S -				
1960	Headlamp (Thunderbird)	P-2642	130	404
1961/63	Headlamp (Thunderbird)	P-3271	130	405
1964/	Headlamp (Thunderbird)	P-4219	130	409
- X -				
1960	Headlamp (Falcon)	P-3112	130	403
1961	Headlamp (Falcon)	P-3258	130	405
1962/	Headlamp (Falcon)	P-3632	130	406
HORN BUTTON OR RING				
- A -				
1960	Steering Wheel & Horn Ring (Ford)	P-2986	35	101
1961/64	Steering Wheel & Horn Ring (Ford)-Typical	P-3299	35	102
1962/64	Steering Wheel & Horn Ring (Ford-Galaxie-XL)	P-3816	35	103
- B -				
1962/64	Steering Wheel & Horn Ring (Fairlane)	P-3714	35	104
- S -				
1960	Steering Wheel & Horn Ring (Thunderbird)	P-2886	35	105
1961/63	Steering Wheel & Horn Ring (Thunderbird)-Typical	P-3365	35	105
1964/	Steering Wheel & Horn Ring (Thunderbird)-except with Speed Control	P-4544	35	106
- X -				
1960/63	Steering Wheel & Horn Ring (Falcon)	P-3117	35	107
1964	Steering Wheel & Horn Ring (Falcon)	P-4515	35	108

INDEX

YEAR	TITLE	ILLUS. NO.	SECTION	PAGE
LICENSE LAMP				
- A -				
1960/61	License Plate Lamp (Ford)	P-2969	134	422
1962	License Plate Lamp (Ford)	P-3635	134	423
1963	License Plate Lamp (Ford)	P-3924	134	418
1964	License Plate Lamp (Ford)	P-4243	134	419
- B -				
1962/63	License Plate Lamp (Fairlane)	P-3146	134	422
1964	License Plate Lamp (Fairlane)	P-4214	134	419
- S -				
1960	License Plate Lamp (Thunderbird)	P-2650	134	423
1961/63	License Plate Lamp (Thunderbird)	P-3264	134	416
1964	License Plate Lamp (Thunderbird)	P-4213	134	420
- X -				
1960/63	License Plate Lamp (Falcon)	P-3146	134	422
1964	License Plate Lamp (Falcon)	P-4242	134	420
PARKING LAMP				
- A -				
1960	Parking Lamp (Ford)	P-2959	130	410
1961/64	Parking Lamp (Ford)-Typical	P-3243	130	411
- B -				
1962/63	Parking Lamp (Fairlane)	P-3631	130	413
1964/	Parking Lamp (Fairlane)	P-4203	130	413
- S -				
1960	Parking Lamp (Thunderbird)	P-2644	130	411
1961/63	Parking Lamp (Thunderbird)	P-3282	130	412
1964/	Parking Lamp (Thunderbird)-Typical	P-3245	130	411
- X -				
1960	Parking Lamp (Falcon)	P-3113	130	410
1961	Parking Lamp (Falcon)	P-3262	130	412
1962/	Parking Lamp (Falcon)	P-3631	130	413
PILLAR OR INTERIOR LAMP				
- A -				
1964	Interior Lamp-Instrument Panel Mounted (Ford-Galaxie "Police & Taxi")	P-4100	137	432
1963/64	Pillar Lamp (Ford-Galaxie-"Fastback")	P-4147	137	429
- S -				
1964/	Pillar Lamp (Thunderbird)	P-4890	137	433
REAR LAMPS				
- A -				
1960	Rear Lamp (Ford)	P-2967	134	414
1960	Back Up Lamp (Ford)	P-2988	134	421
1962	Rear Lamp (Ford)	P-3628	134	416
1961	Rear Lamp and Back Up Lamp (Ford)	P-3234	134	415
1963	Rear Lamp, Back Up Lamp and License Plate Lamp (Ford-Custom & Galaxie)	P-3924	134	418
1964	Rear Lamp, Back Up Lamp and License Plate Lamp (Ford-Custom & Galaxie)	P-4243	134	419
- B -				
1962	Rear Lamp and Back Up Lamp (Fairlane)	P-3647	134	417
1963	Rear Lamp, Back Up Lamp and License Plate Lamp (Fairlane)	P-3921	134	418
1964	Rear Lamp, Back Up Lamp and License Plate Lamp (Fairlane)	P-4214	134	419
- S -				
1960	Rear Lamp and Back Up Lamp (Thunderbird)	P-3068	134	415
1961/63	Rear Lamp, Back Up Lamp and License Plate Lamp (Thunderbird)	P-3264	134	416
1964/	Rear Lamp, Back Up Lamp and License Plate Lamp (Thunderbird)	P-4213	134	420
- X -				
1960/61	Rear Lamp (Falcon)	P-3114	134	416
1962	Rear Lamp (Falcon)	P-3629	134	417
1960/62	Back Up Lamp (Falcon)	P-3455	134	421
1963	Rear Lamp and Back Up Lamp (Falcon)	P-3647	134	417
1964	Rear Lamp, Back Up Lamp and License Plate Lamp (Falcon)	P-4242	134	420

INDEX

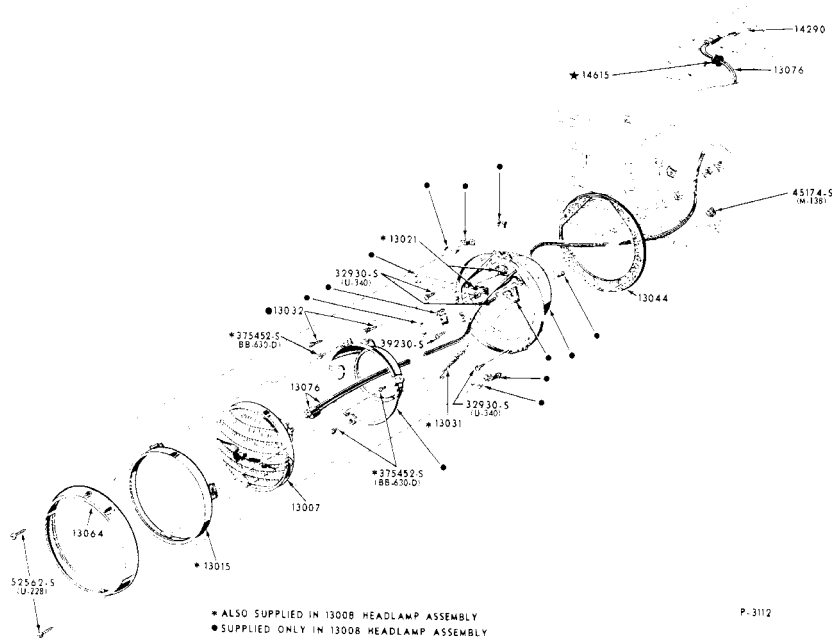
YEAR	TITLE	ILLUS. NO.	SECTION	PAGE
SAFETY CONVENIENCE PACKAGE				
1964	Door Ajar, Low Fuel, Flasher & Emergency Warning Wiring System (Thunderbird)	P-4842	140	472
1964/	Seat Belt Warning Lamp (Thunderbird)	P-4405	106	385
TRANSISTORIZED IGNITION SYSTEM				
1963/	Transistorized Ignition System, Oil Temperature Warning System and Related Parts (Ford-8 Cylinder 427 Engine)	P-4190	120	397
1964/	Transistorized Ignition System & Related Parts-8 Cylinder Engine (Thunderbird)	P-4868	120	398
TURN INDICATOR				
1960/	Turn Indicator (Ford, Fairlane/Torino, Falcon, Thunderbird)-refer to Section 72			
1964/	Turn Indicator (Thunderbird)-Fender Mounted	P-4380	130	409
WIRING SYSTEM				
Typical	Wiring Terminals	P-3194	140	434
1964/	Wire Connector Sleeve Kit and Crimping Tool	P-5344	140	435
- A -				
1960	Wiring System (Ford)-typical	P-3108	140	436
1961/62	Wiring System (Ford)	P-3634	140	439
1963/34	Wiring System (Ford)	P-3949	140	442
1960/	Wiring System-Transmission Overdrive (Ford)-Typical	P-3182	140	448
- B -				
1962	Wiring System (Fairlane)	P-3739	140	441
1963/	Wiring System (Fairlane)-typical	P-4064	140	443
1962/	Wiring System-Transmission Overdrive (Fairlane)-Typical	P-3182	140	448
- S -				
1960	Wiring System (Thunderbird)-typical	P-2884	140	438
1961/62	Wiring System (Thunderbird)-typical	P-3412	140	440
1963	Wiring System (Thunderbird)	P-4135	140	445
1964/	Wiring System (Thunderbird)	P-4781-A	140	446
1964/	Wiring System (Thunderbird)	P-4781-B	140	447
- X -				
1960/62	Wiring System (Falcon)	P-3140	140	437
1963/	Wiring System (Falcon)	P-4080	140	444



- * SUPPLIED ONLY IN 1300B LAMP ASSEMBLY (INNER-HIGH BEAM)
- ALSO SUPPLIED IN 1300B LAMP ASSEMBLY (INNER-HIGH BEAM)
- ▲ ALSO SUPPLIED IN 1300B LAMP ASSEMBLY (OUTER-LOW BEAM)
- ALSO SUPPLIED IN 1311B & 13119 RING ASSEMBLIES
- ◆ SUPPLIED ONLY IN 1300B LAMP ASSEMBLY (OUTER-LOW BEAM)

1960 HEADLAMP (FORD)

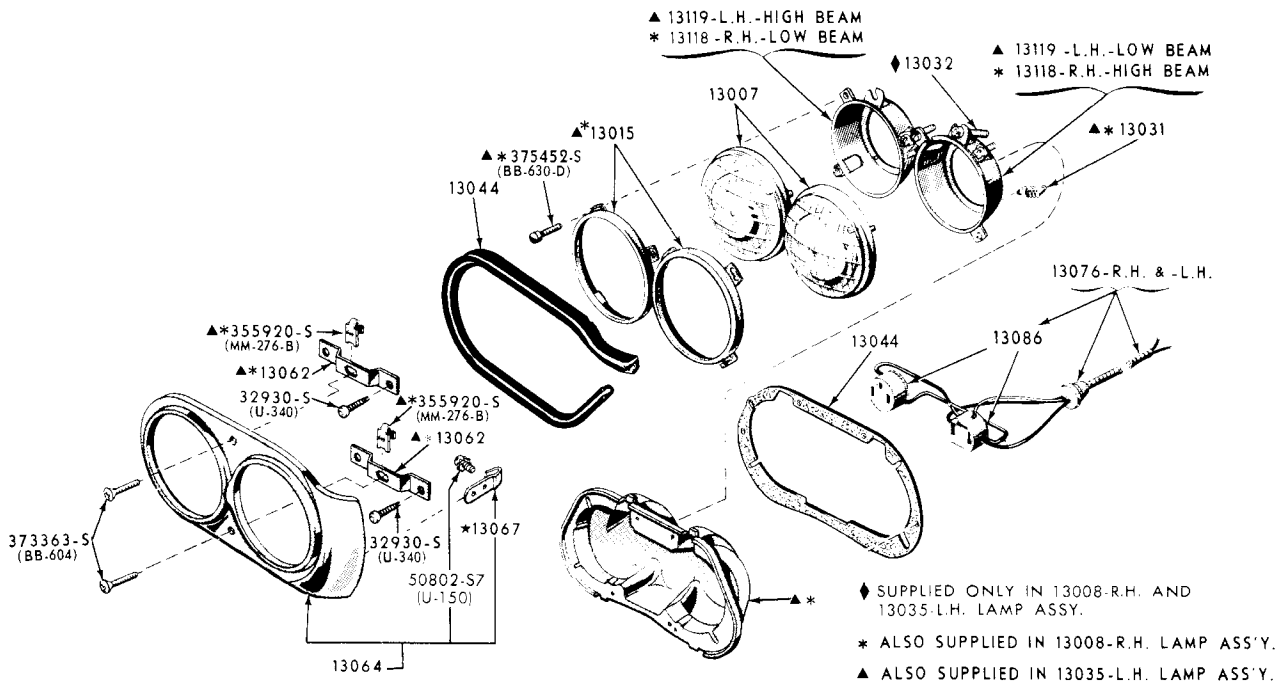
P-2958



- * ALSO SUPPLIED IN 1300B HEADLAMP ASSEMBLY
- SUPPLIED ONLY IN 1300B HEADLAMP ASSEMBLY

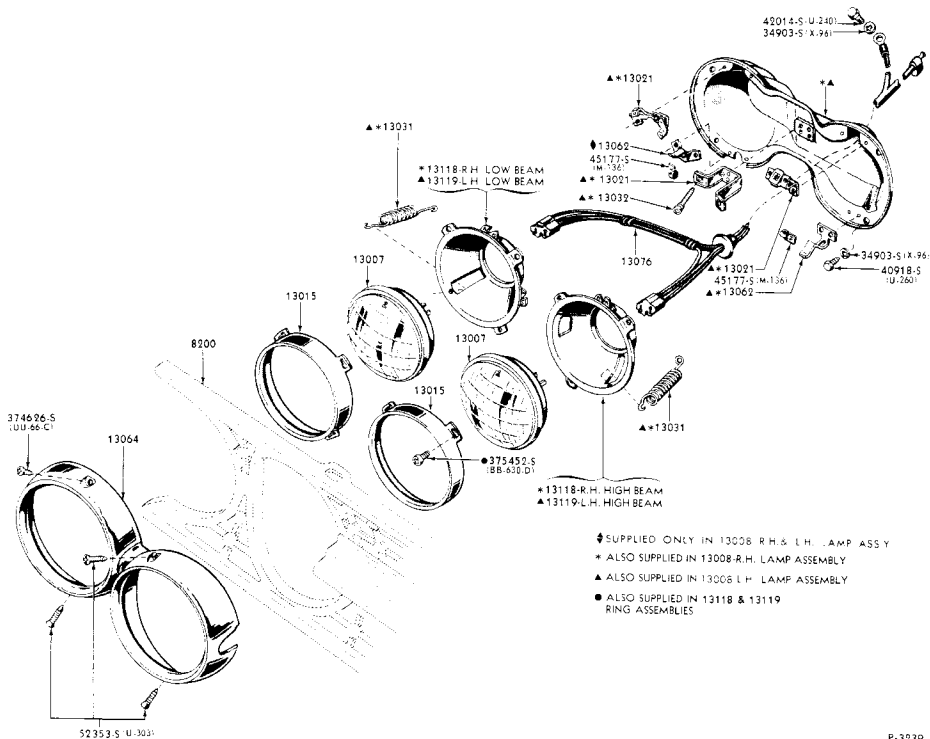
P-3112

1960 HEADLAMP (FALCON)



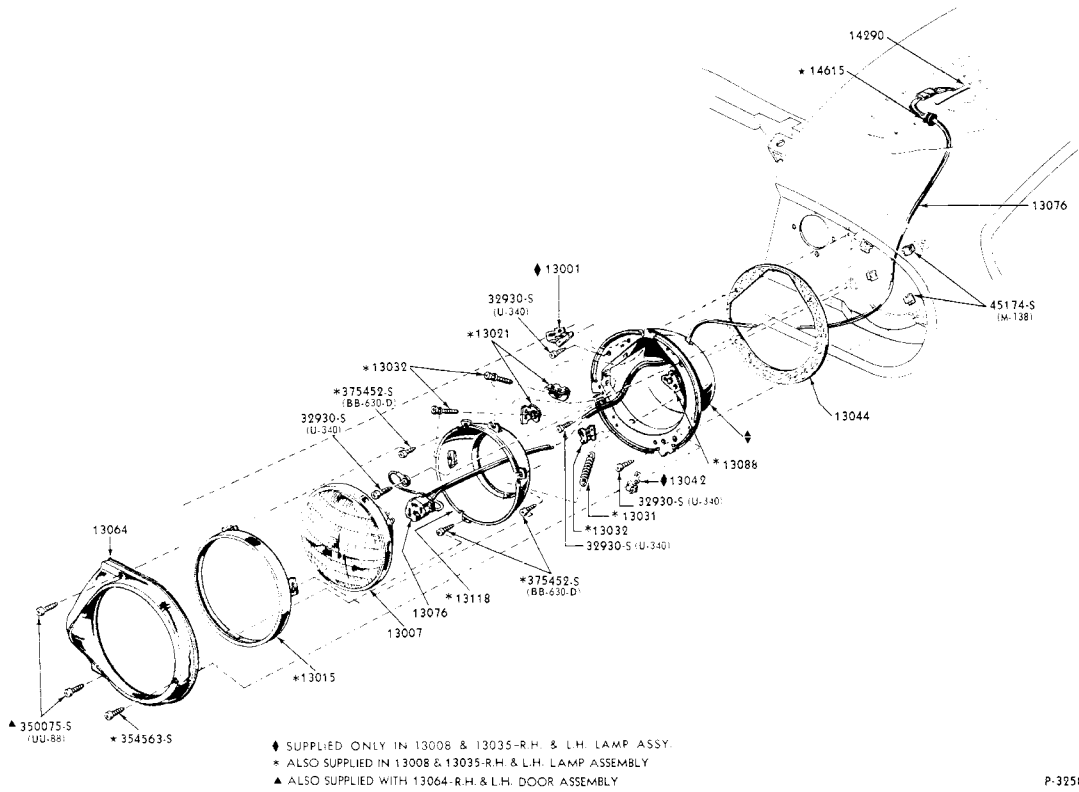
P-2642

1960 HEADLAMP (THUNDERBIRD)



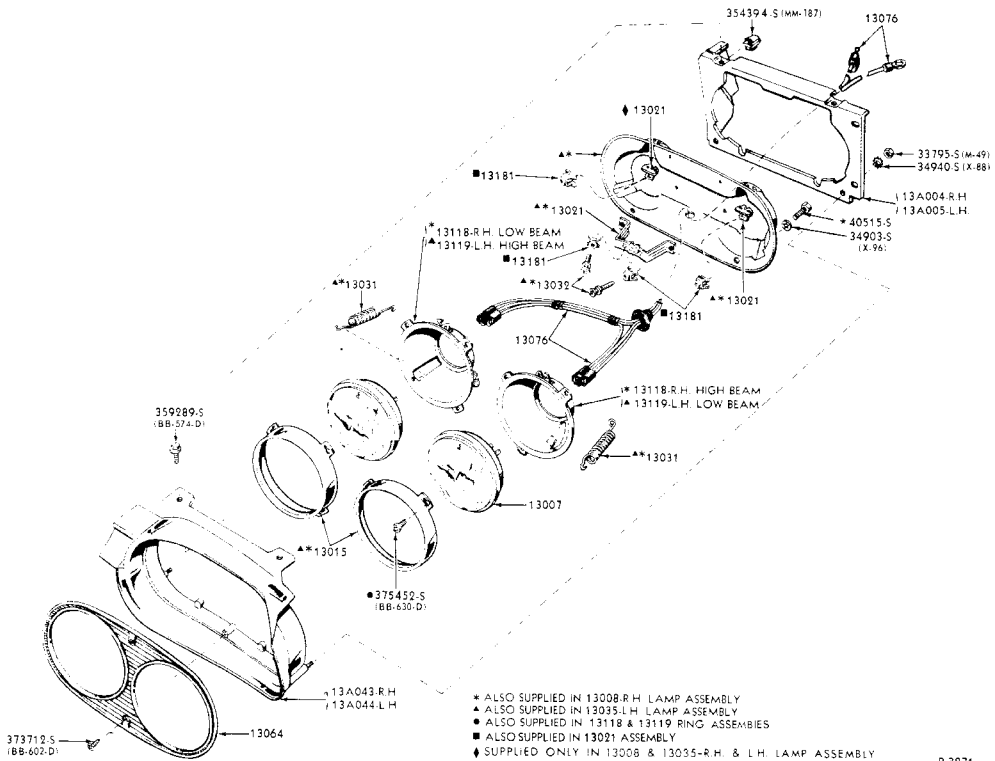
P-3239

1961 HEADLAMP (FORD)



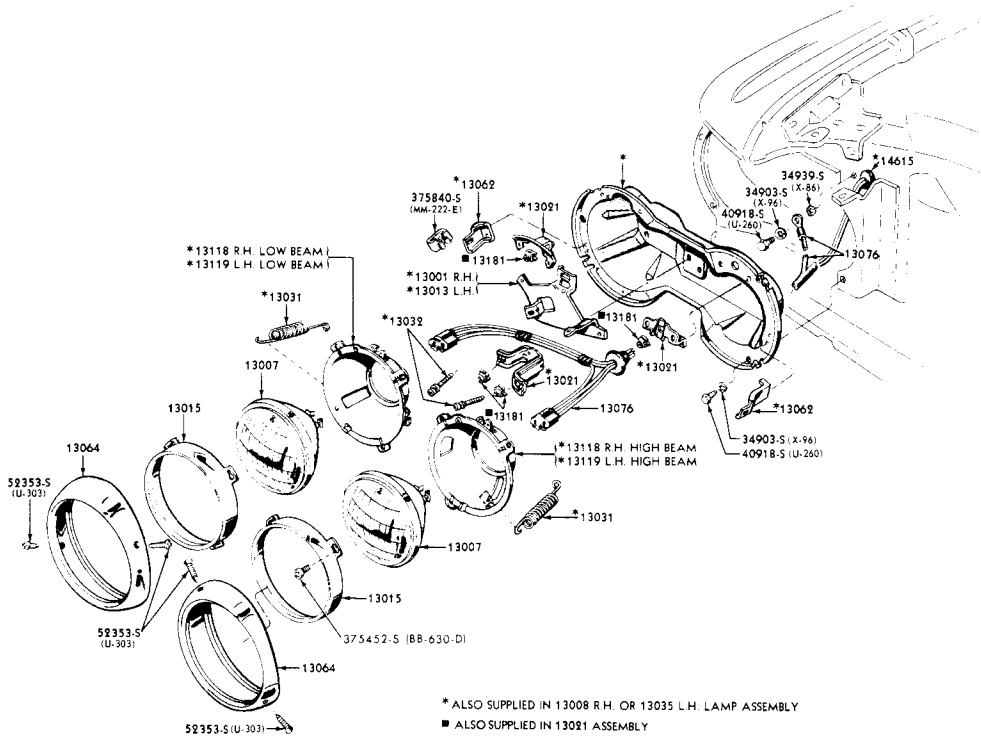
P-3258

1961 HEADLAMP (FALCON)



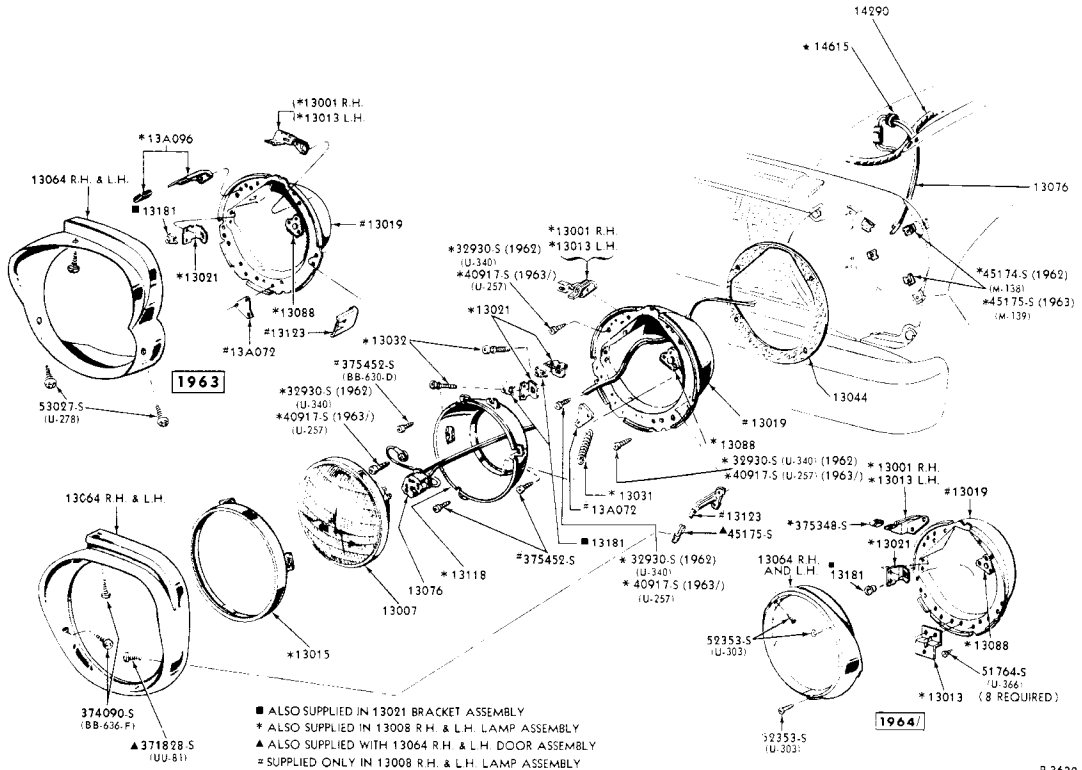
P-3271

1961/63 HEADLAMP (THUNDERBIRD)



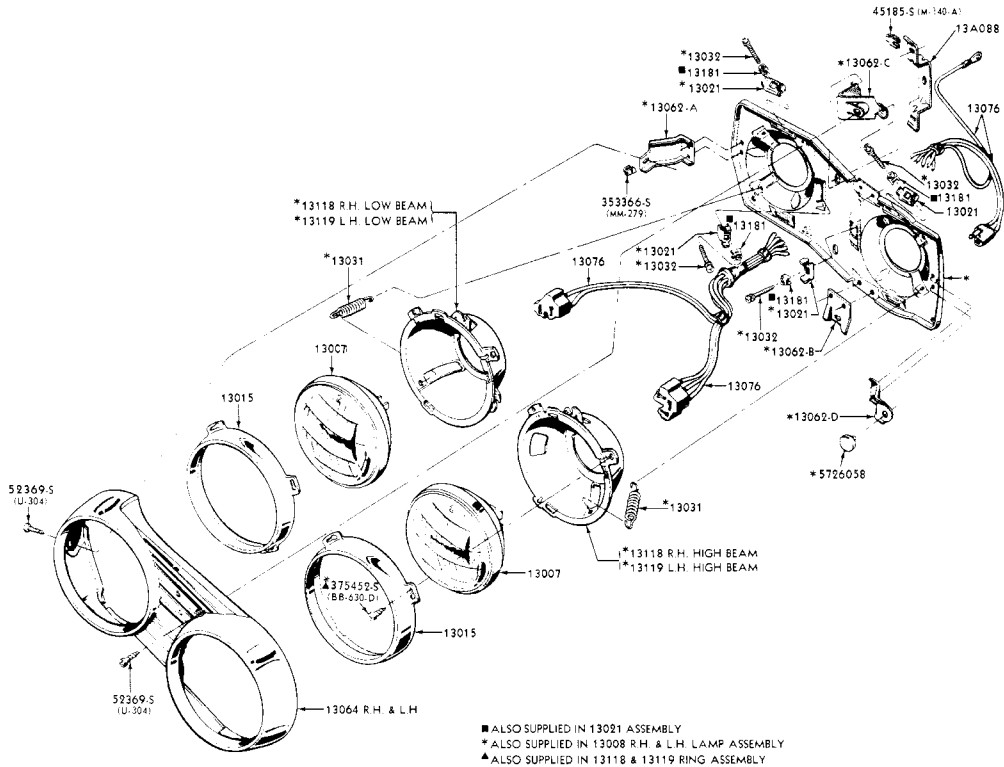
P-3637

1962 HEADLAMP (FORD)

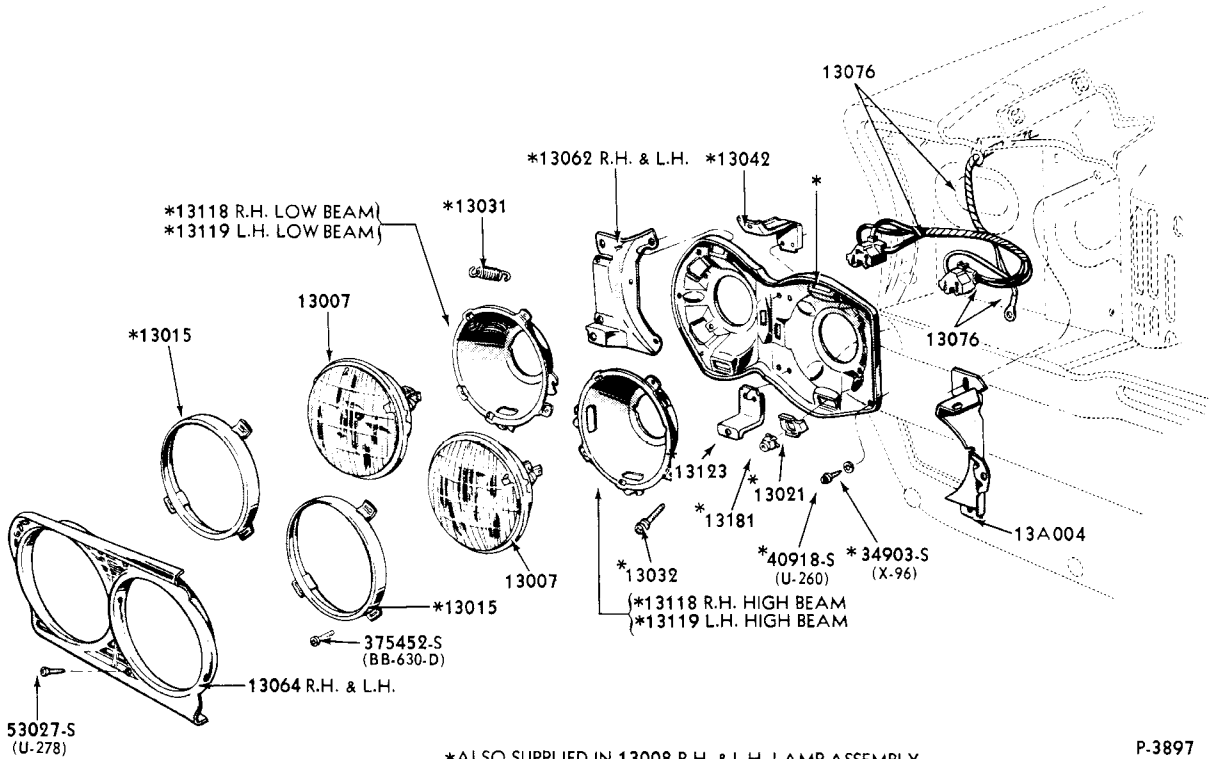


P-3632

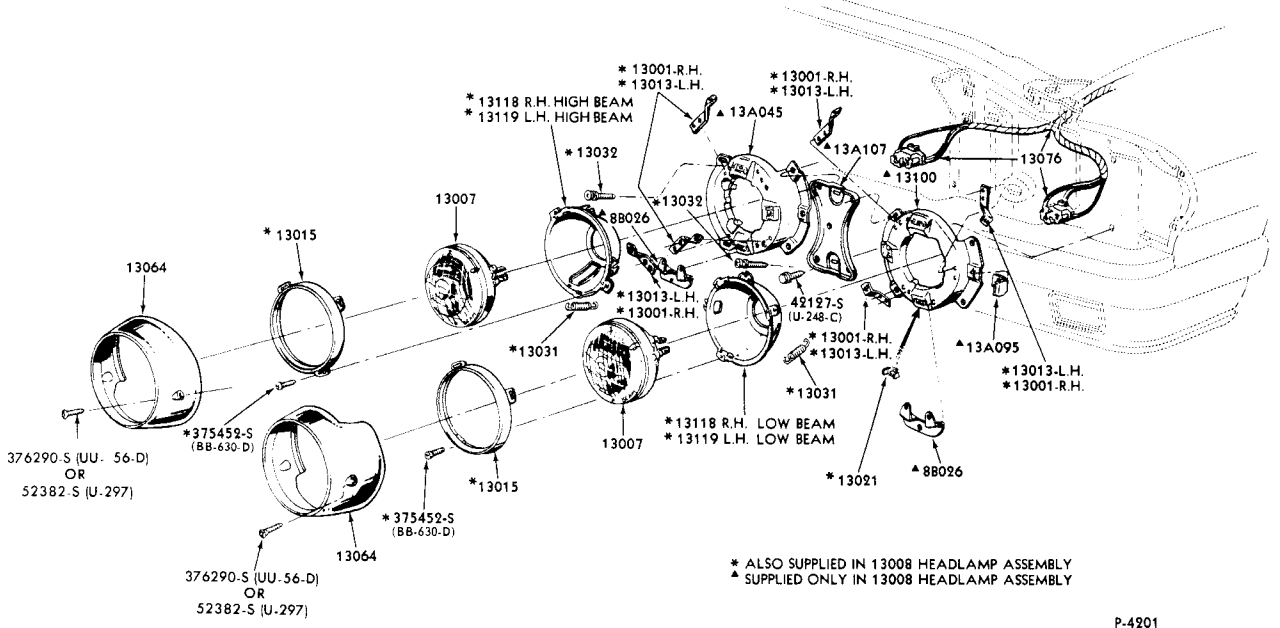
1962 HEADLAMP (FALCON)



1962 HEADLAMP (FAIRLANE)

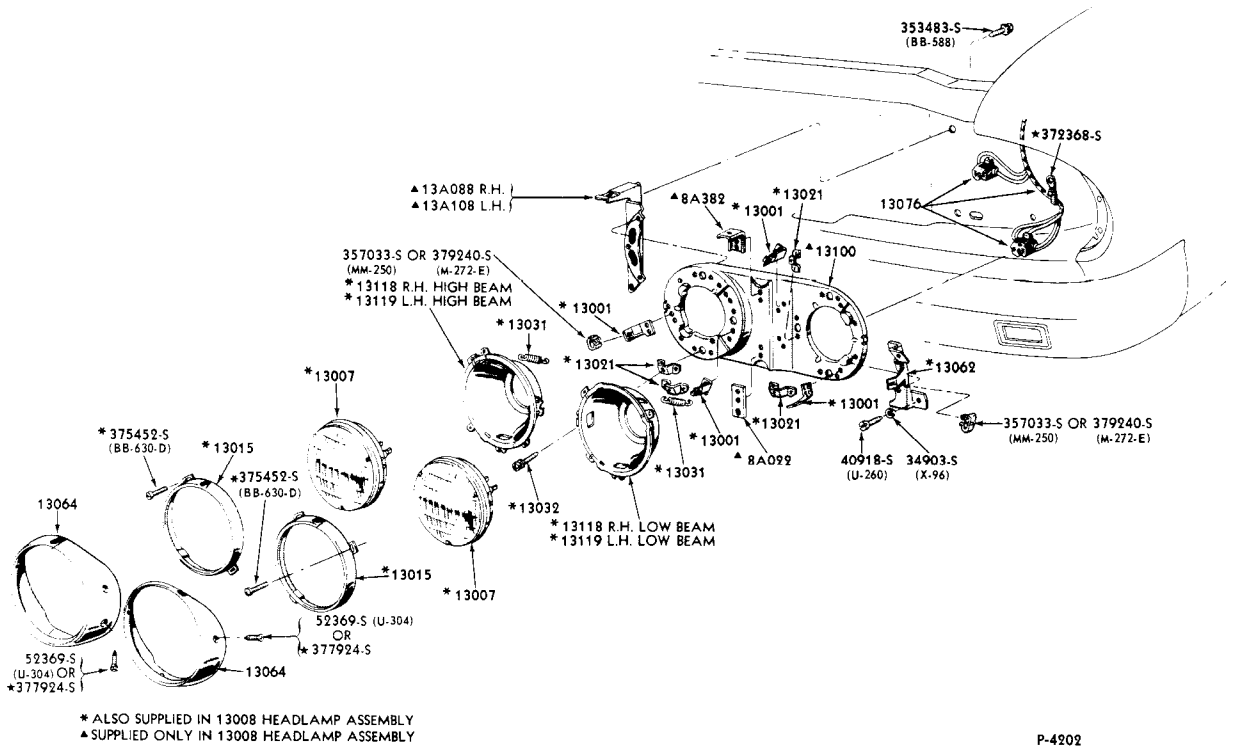


1963 HEADLAMP (FORD & FAIRLANE)



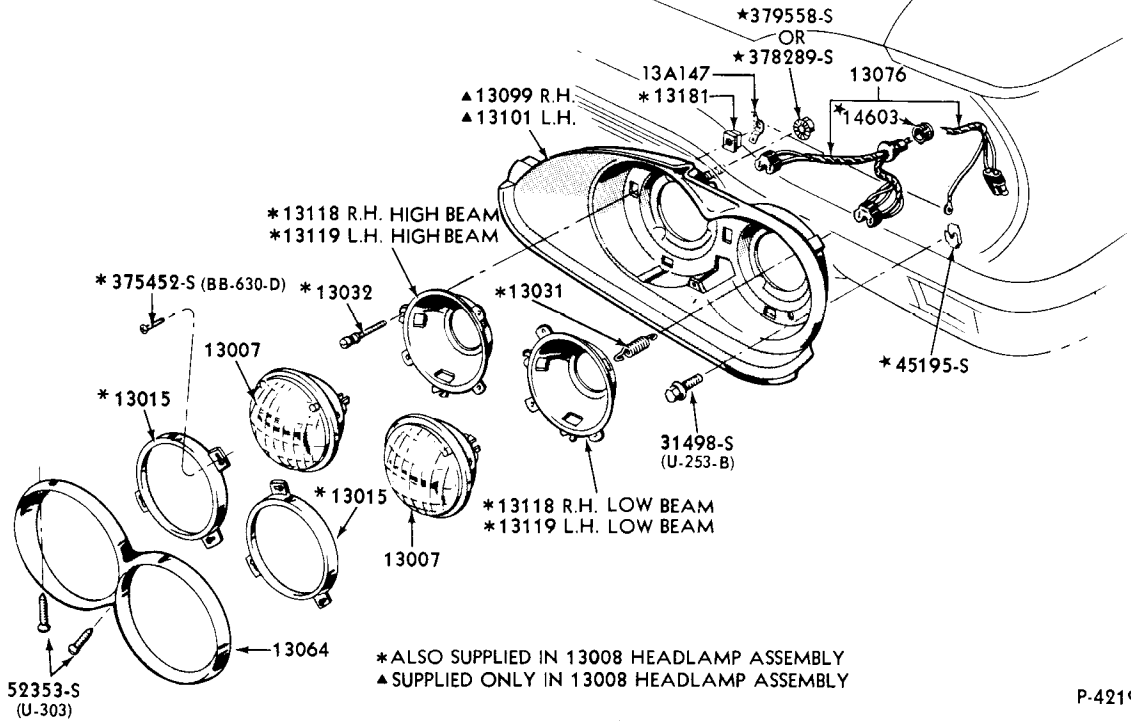
P-4201

1964 HEADLAMP (FORD)



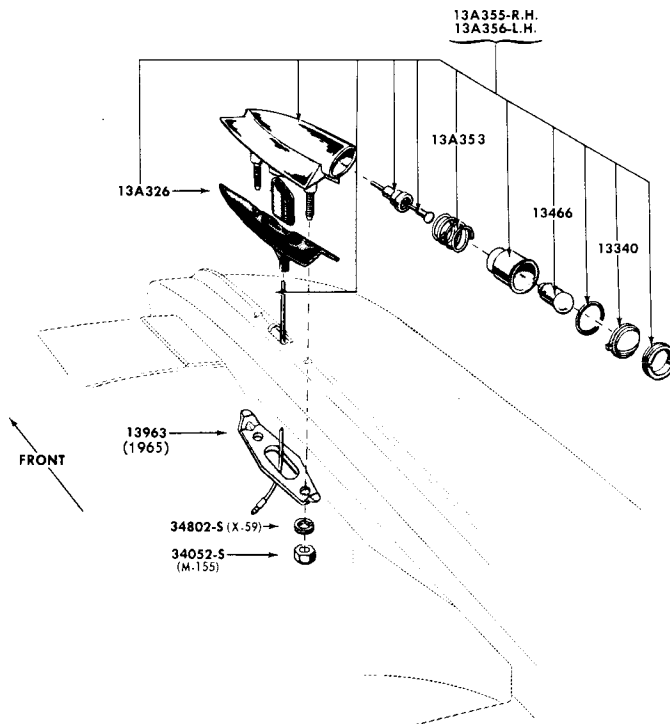
P-4202

1964 HEADLAMP (FAIRLANE)



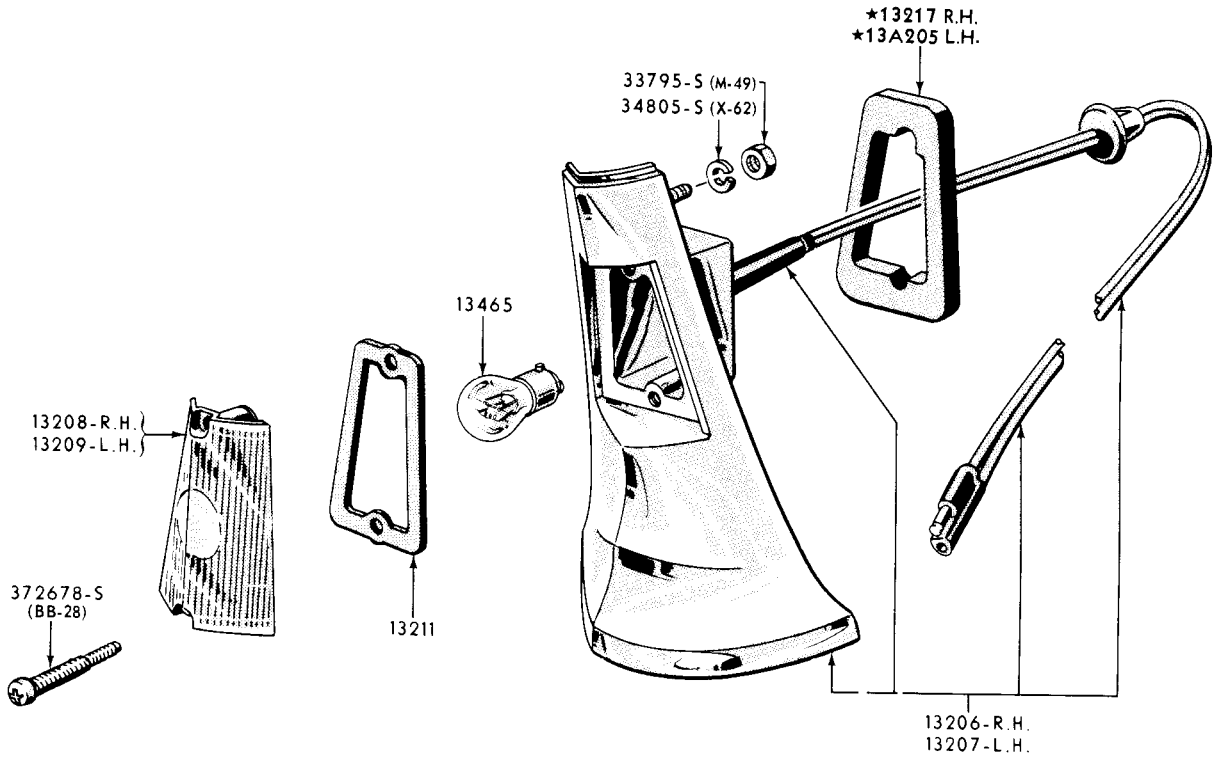
1964/ HEADLAMP (THUNDERBIRD)

P-4219



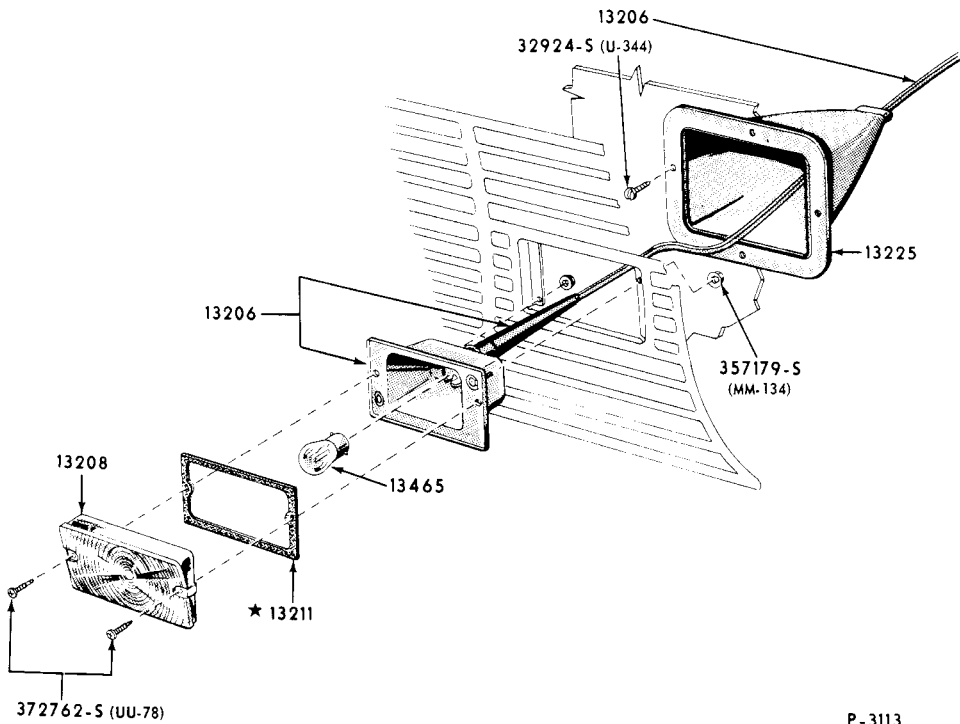
P-4380

1964/ TURN INDICATOR LAMP - FENDER MOUNTED (THUNDERBIRD)



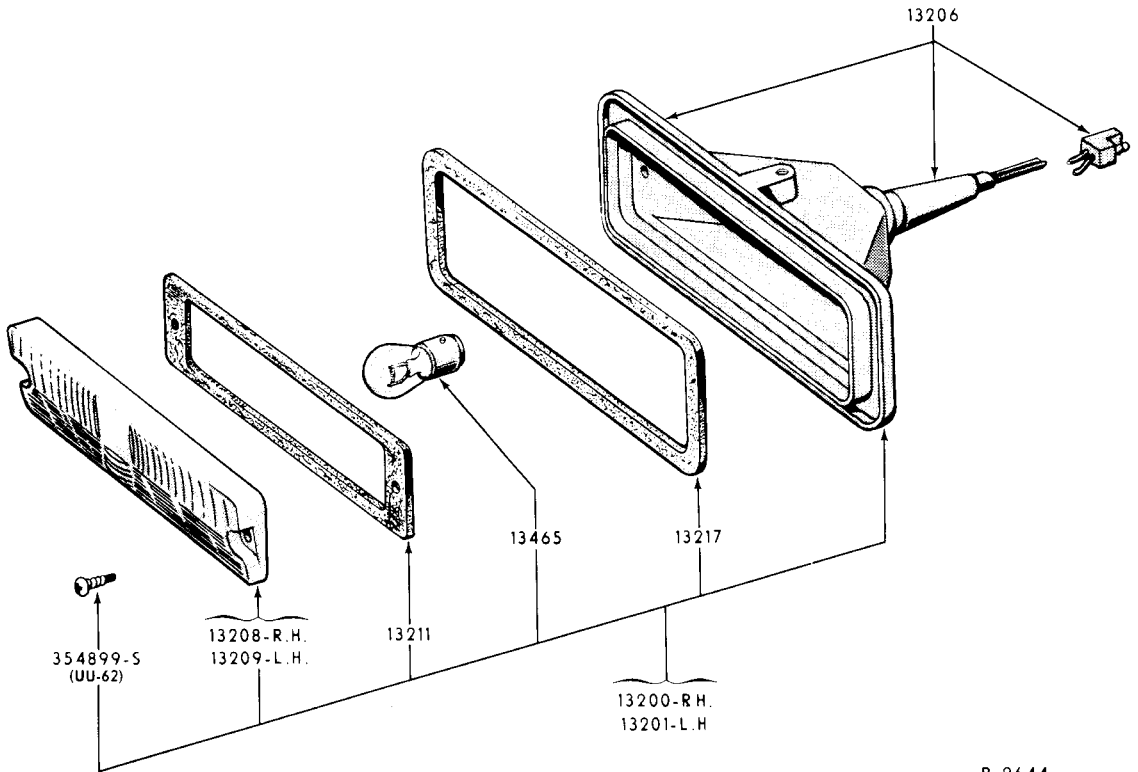
P-2959

1960 PARKING LAMP (FORD)

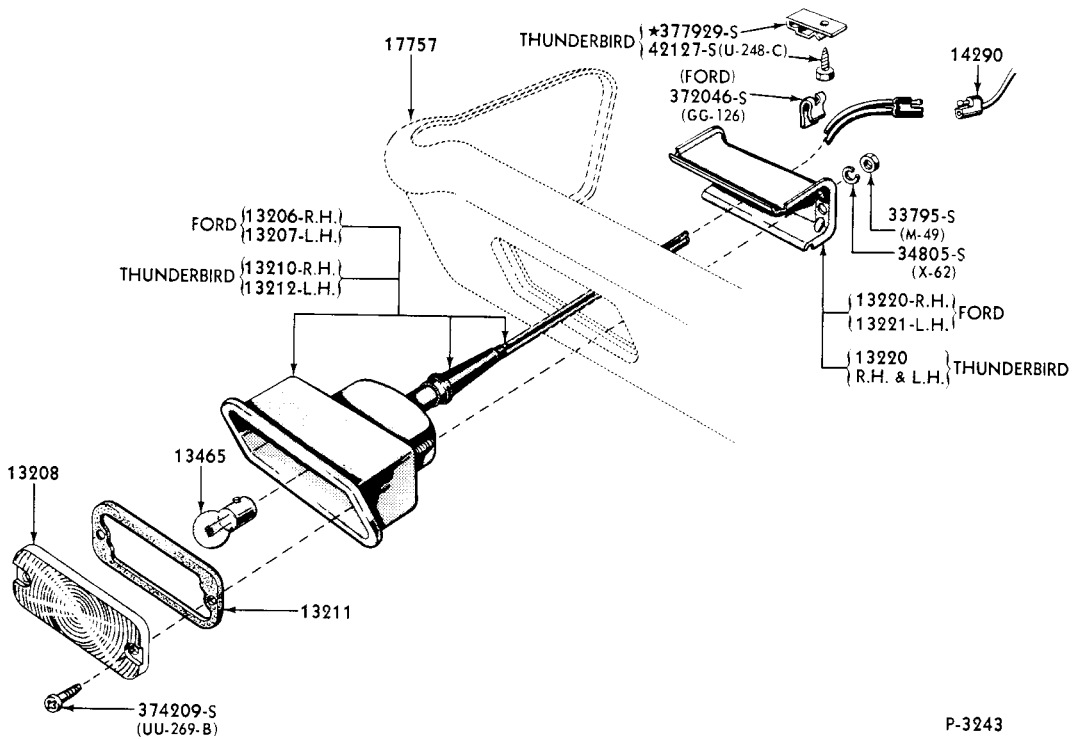


P-3113

1960 PARKING LAMP (FALCON)



1960 PARKING LAMP (THUNDERBIRD)

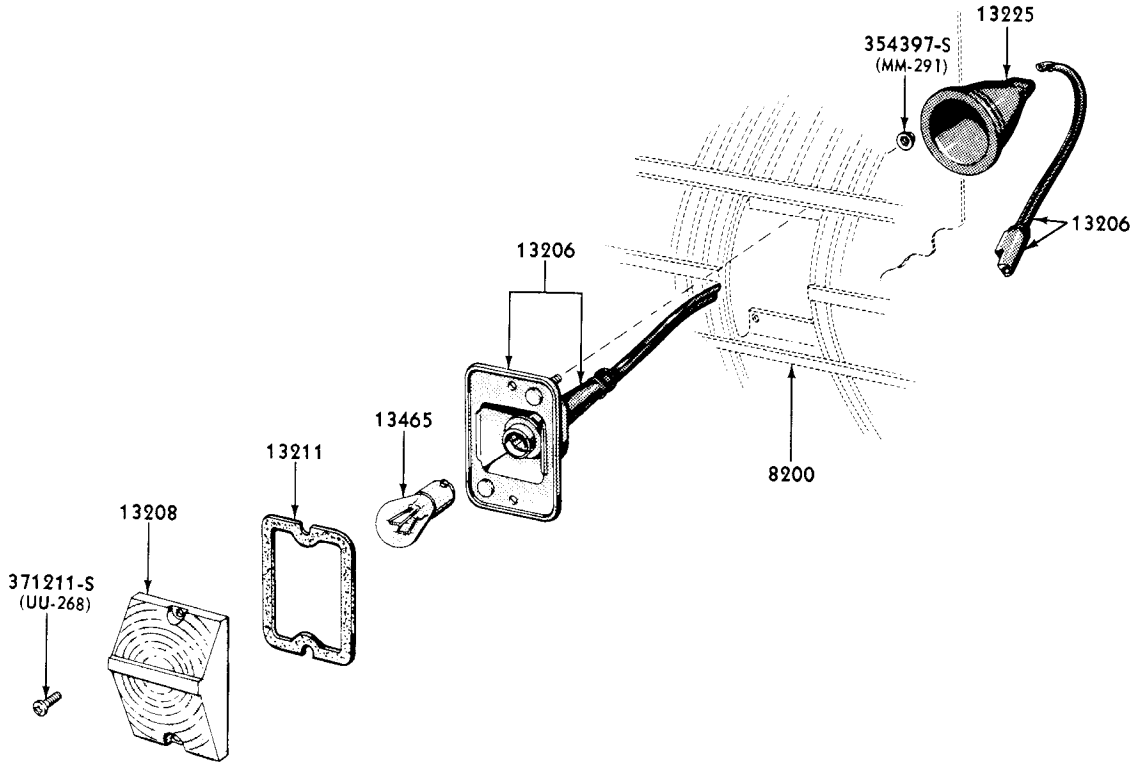


PARKING LAMP - TYPICAL

1961/64 FORD

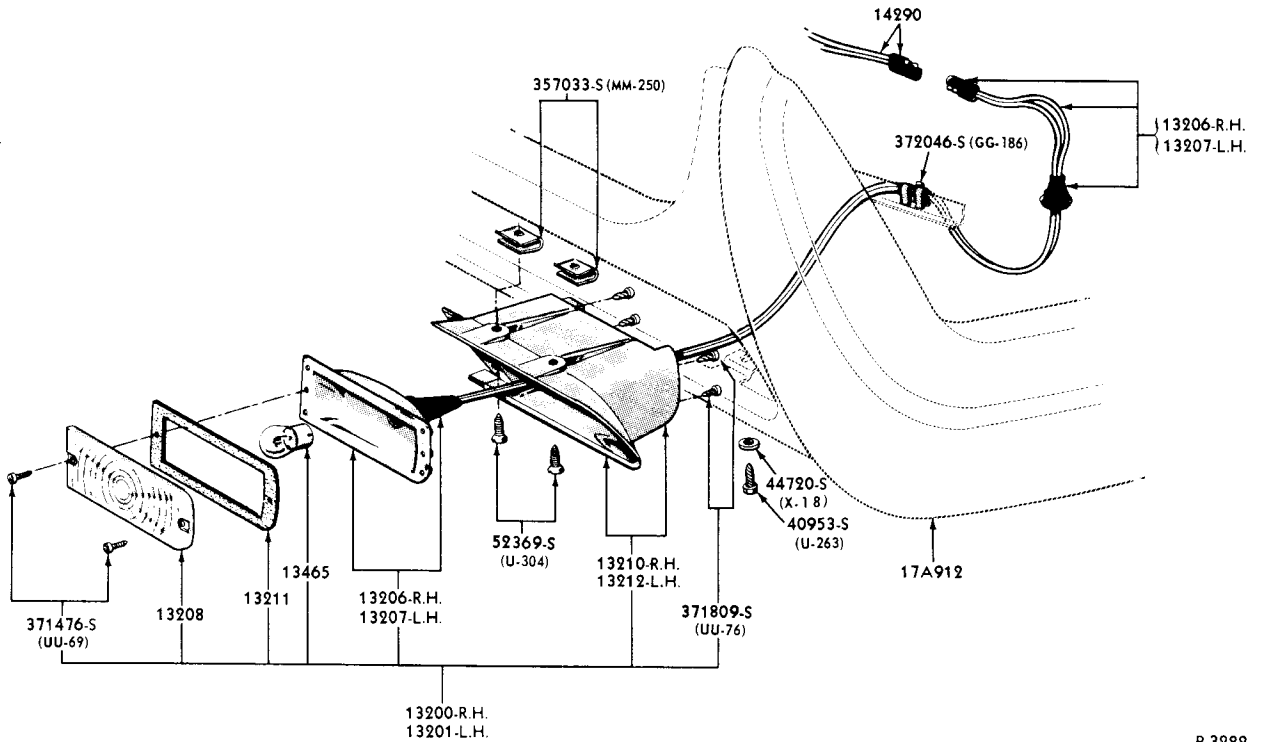
1964/

THUNDERBIRD



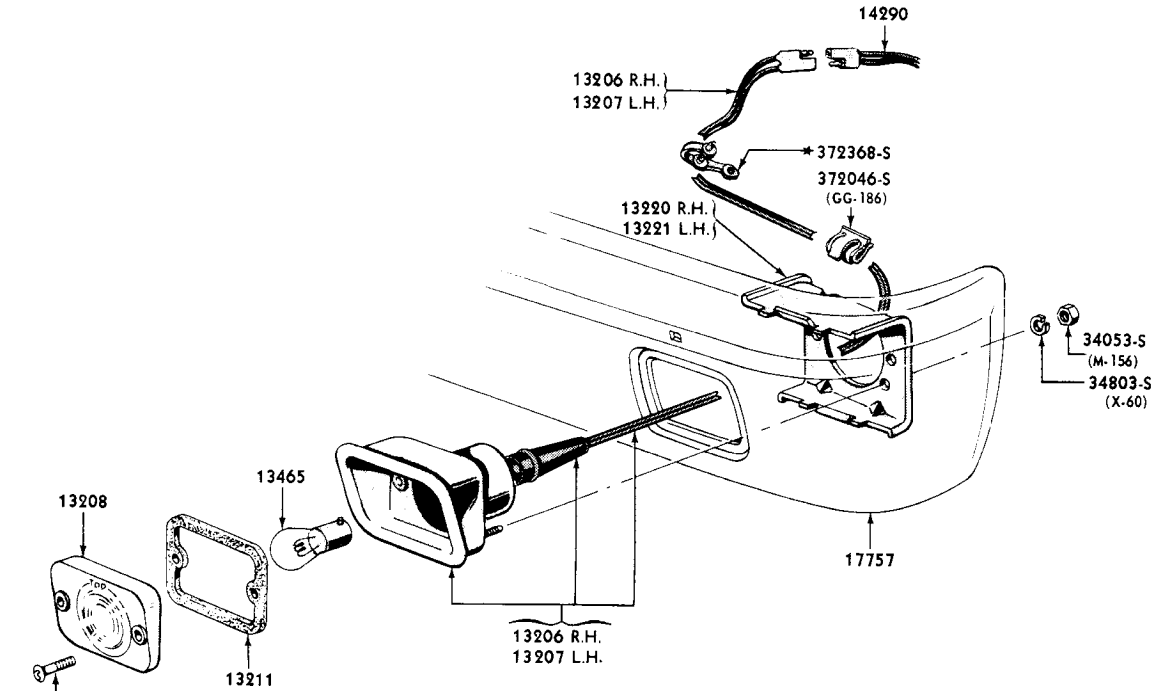
1961 PARKING LAMP (FALCON)

P-3262



1961/63 PARKING LAMP (THUNDERBIRD)

P-3282

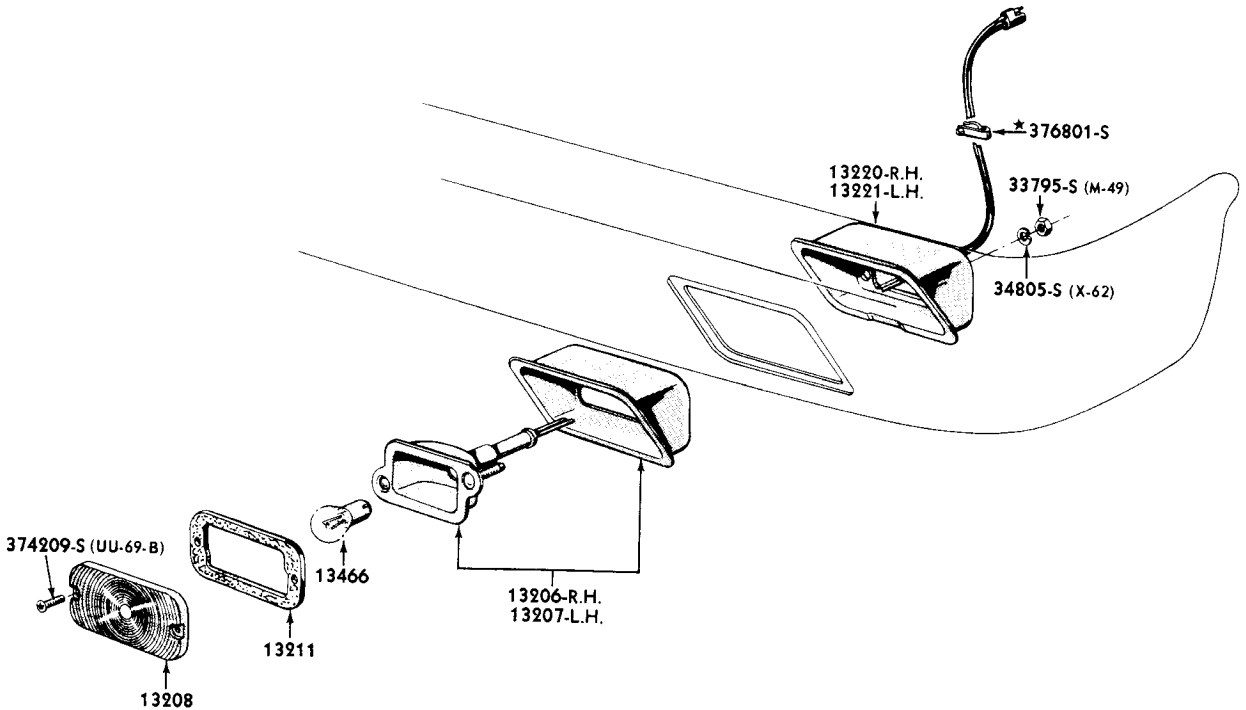


*372857-S (UU-80) (1962/63)
*370175-S (UU-72) (1964)
*ALSO SUPPLIED WITH 13908 LENS

PARKING LAMP

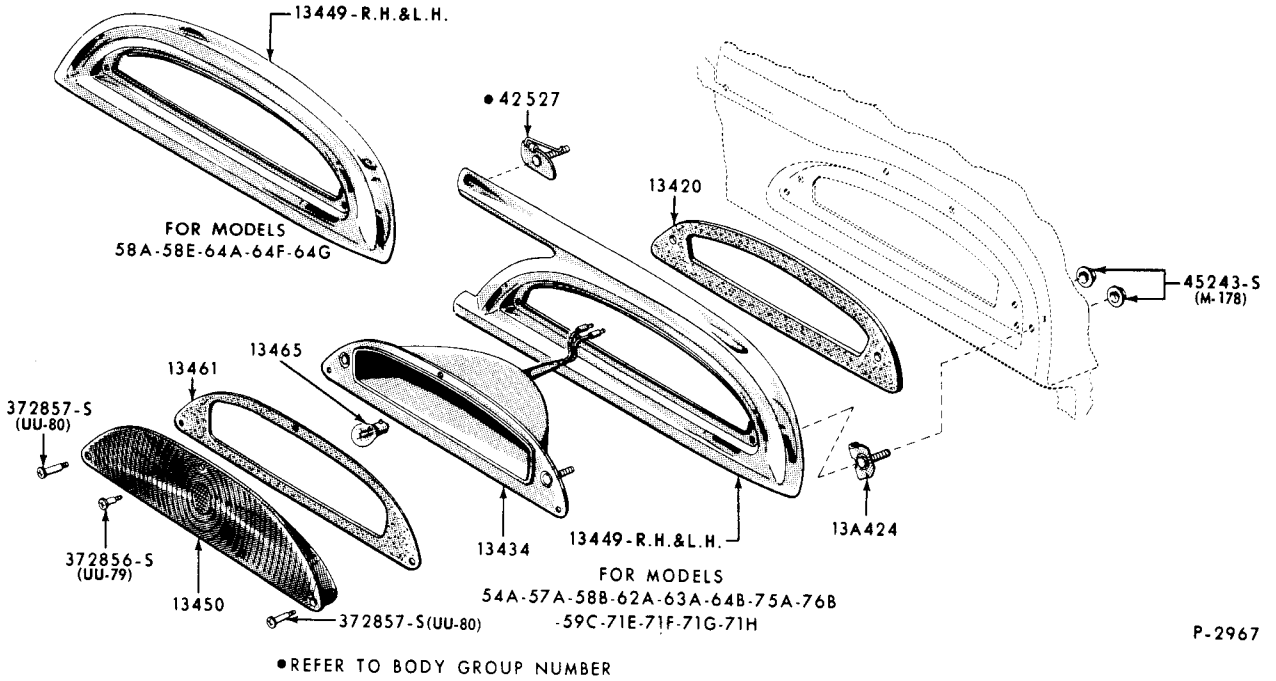
P-3631

1962/63 FAIRLANE 1962/64 FALCON



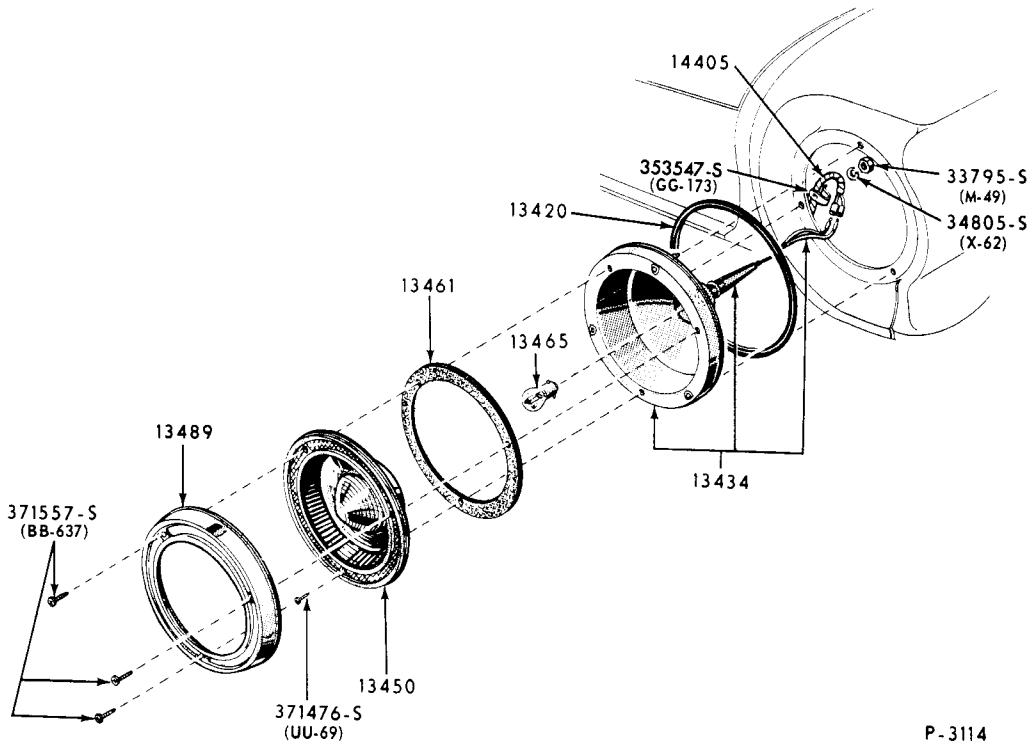
P-4203

1964/ PARKING LAMP (FAIRLANE)



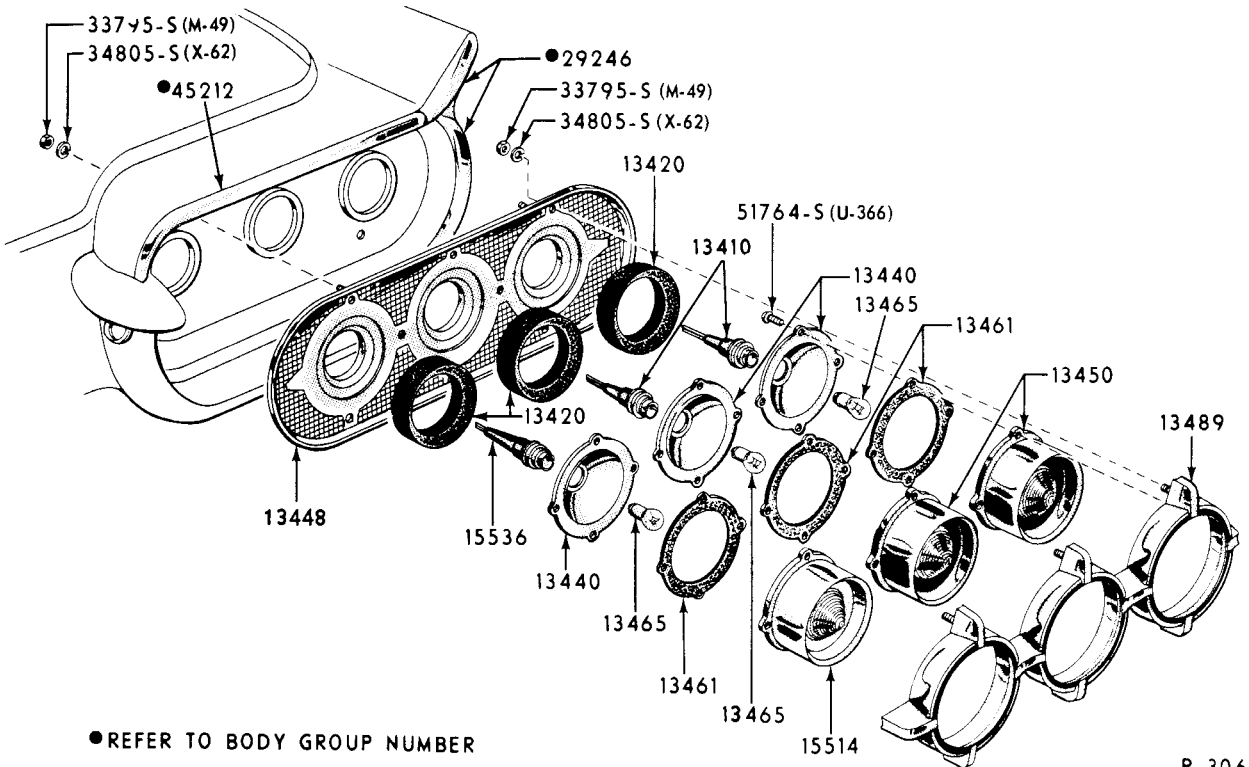
P-2967

1960 REAR LAMP (FORD)



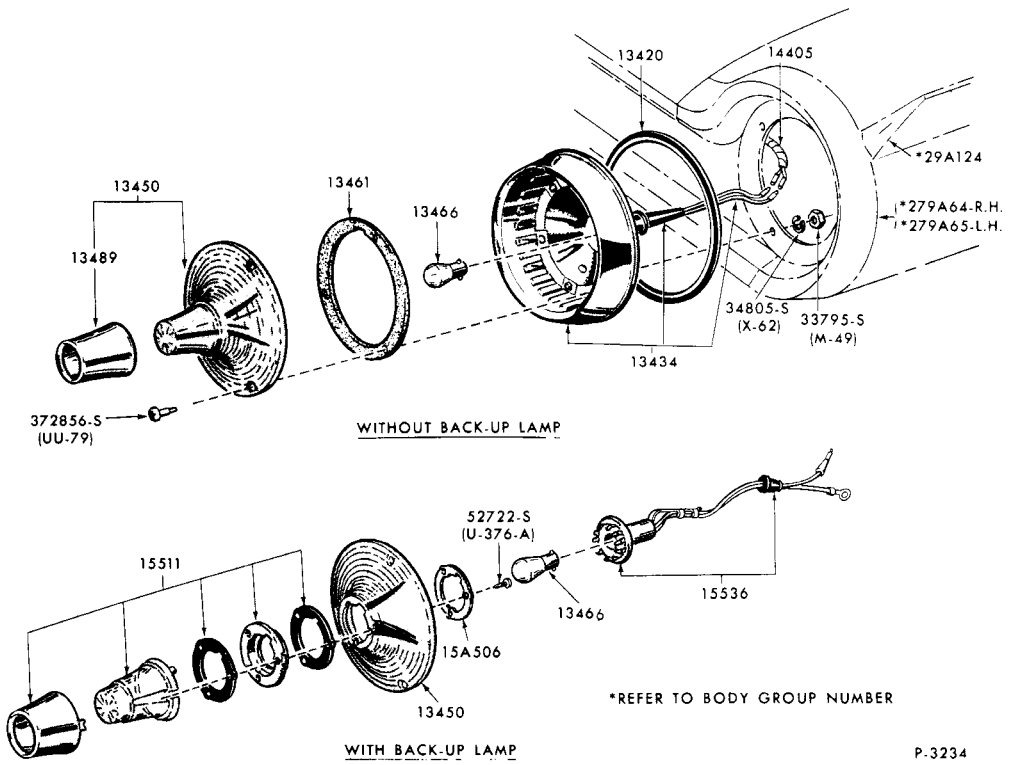
P-3114

1960/61 REAR LAMP (FALCON)



P-3068

1960 REAR LAMP & BACK UP LAMP (THUNDERBIRD)

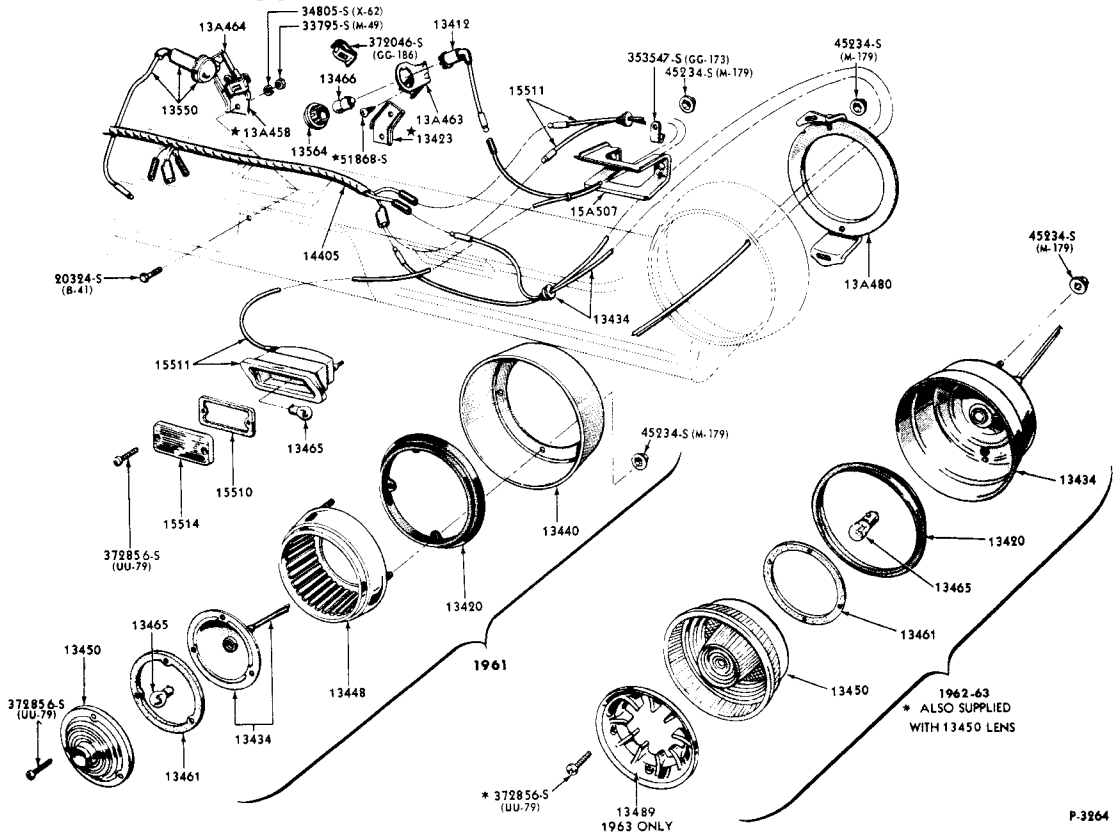


P-3234

1961 REAR LAMP & BACK UP LAMP (FORD)

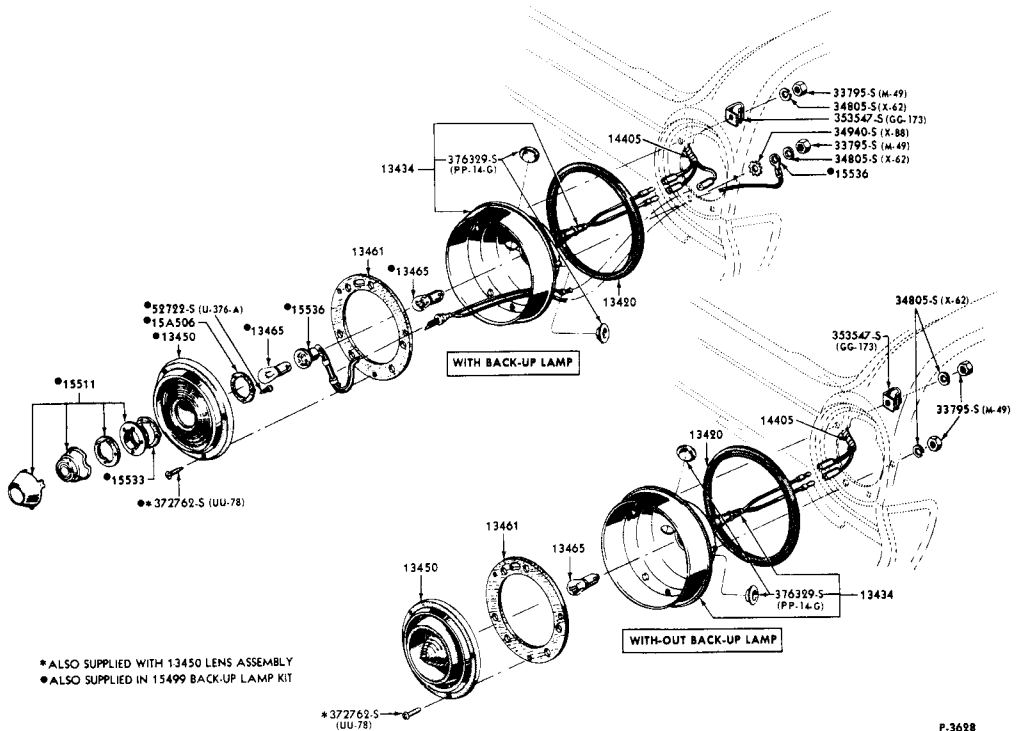
ILLUSTRATION SECTION 134

FORD CAR PARTS



P-3264

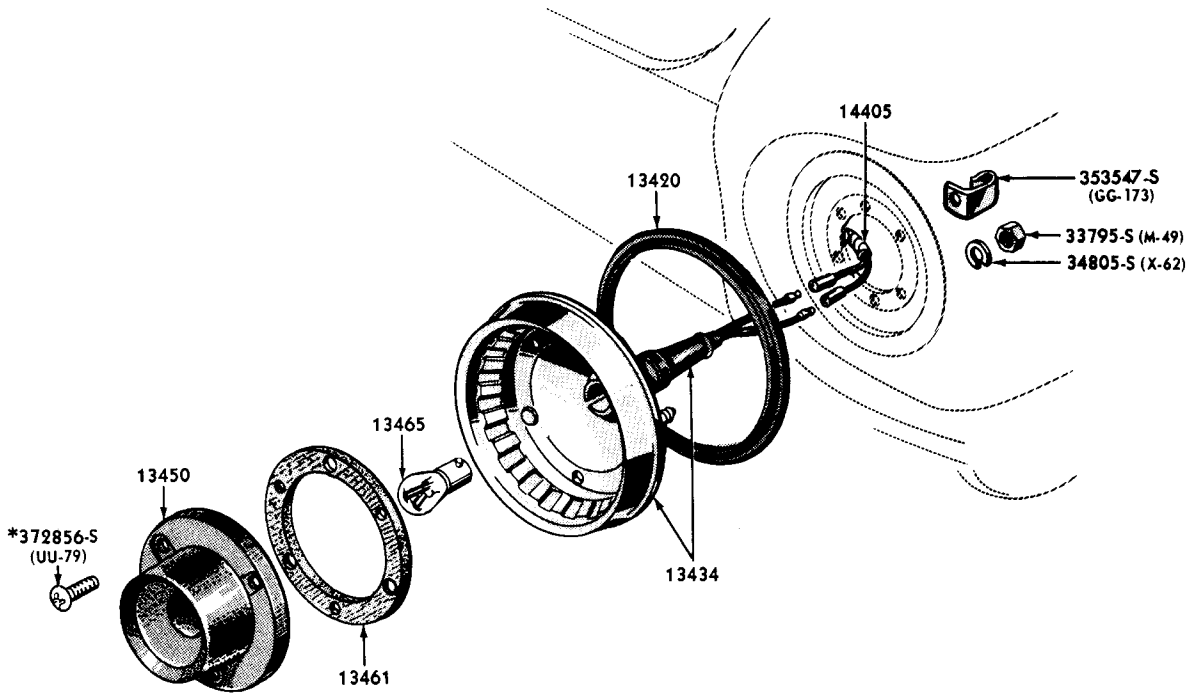
1961/63 REAR LAMP, BACK UP LAMP & LICENSE PLATE LAMP (THUNDERBIRD)



- * ALSO SUPPLIED WITH 13450 LENS ASSEMBLY
- * ALSO SUPPLIED IN 15499 BACK-UP LAMP KIT

P-3628

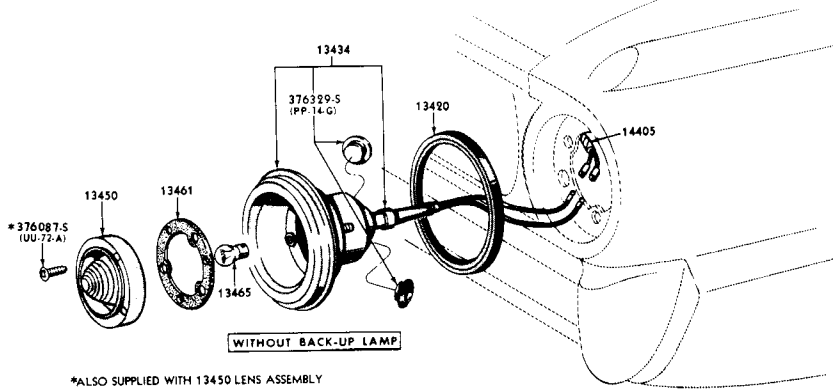
1962 REAR LAMP (FORD)



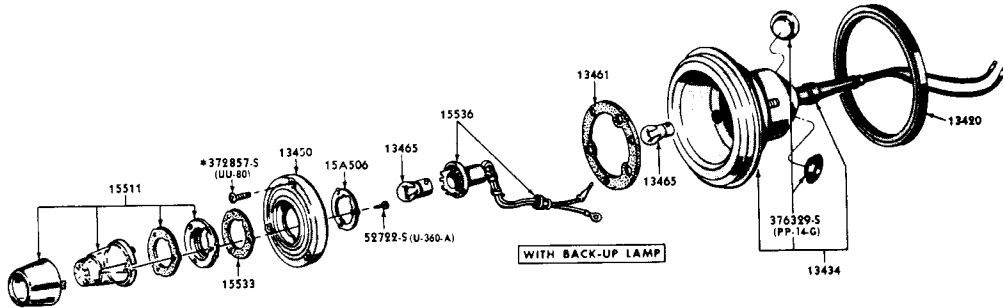
*ALSO SUPPLIED WITH 13450 LENS

P-3629

1962 REAR LAMP (FALCON)



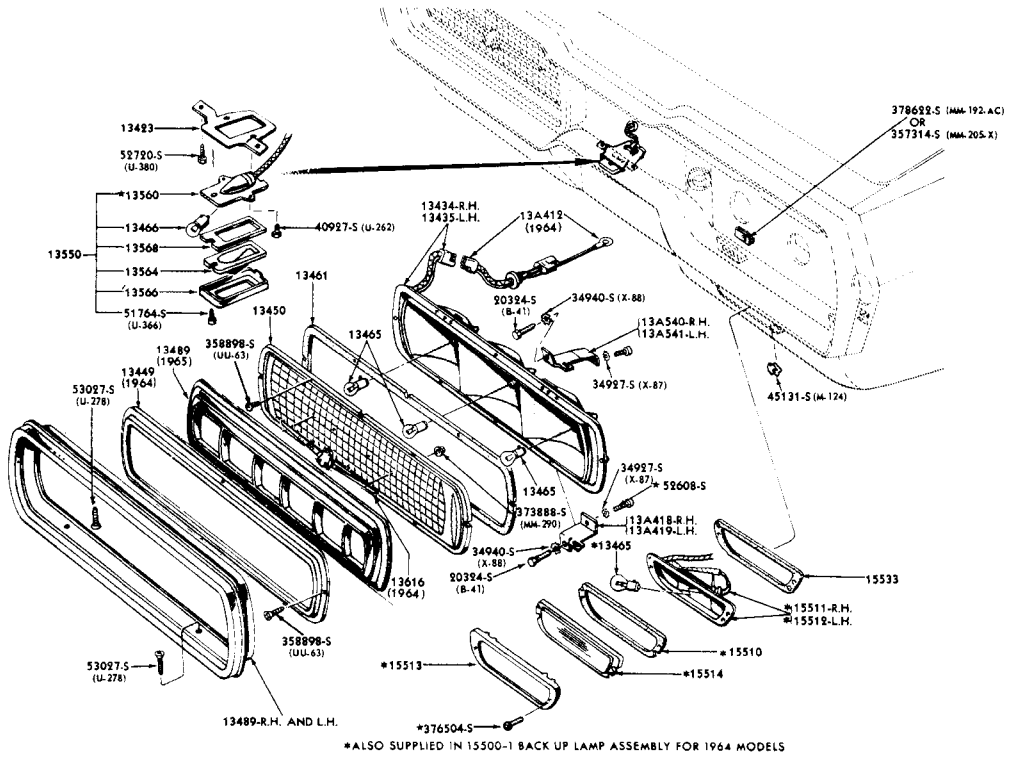
*ALSO SUPPLIED WITH 13450 LENS ASSEMBLY



*ALSO SUPPLIED WITH 13450 LENS ASSEMBLY

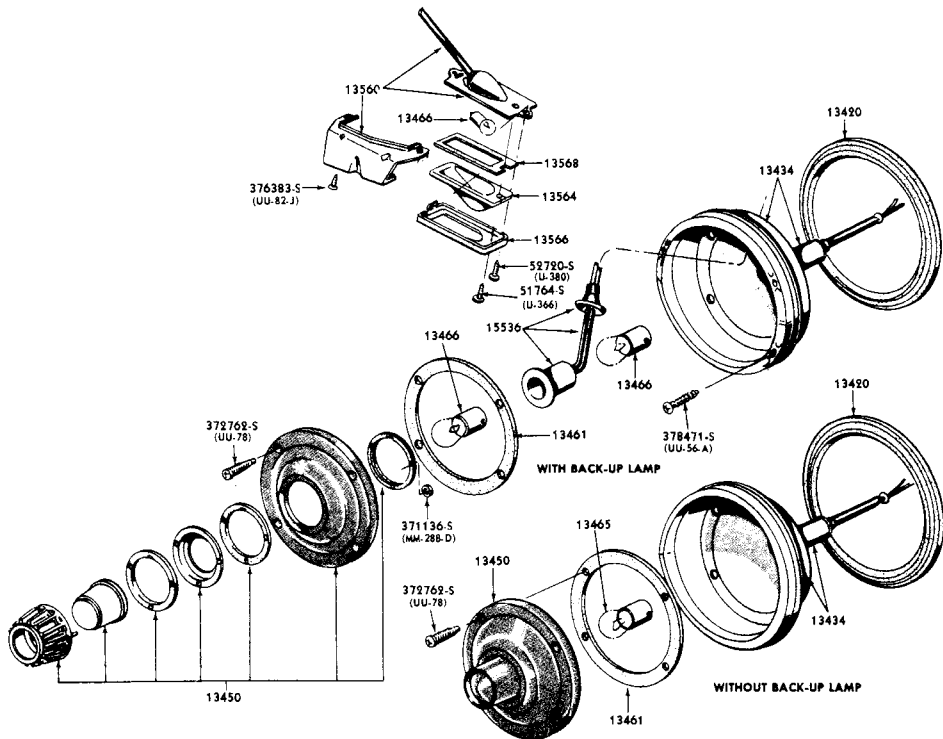
P-3647

REAR LAMP & BACK UP LAMP
1962 FAIRLANE 1963 FALCON



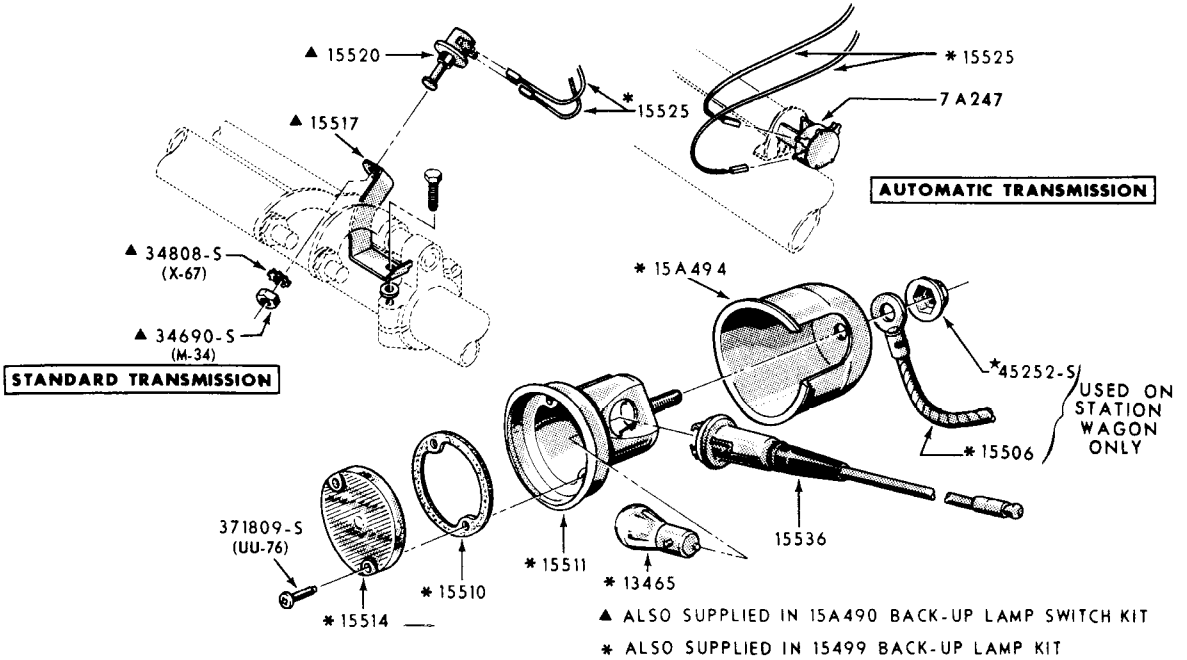
P-4213

1964/ REAR LAMP, BACK UP LAMP & LICENSE PLATE LAMP (THUNDERBIRD)



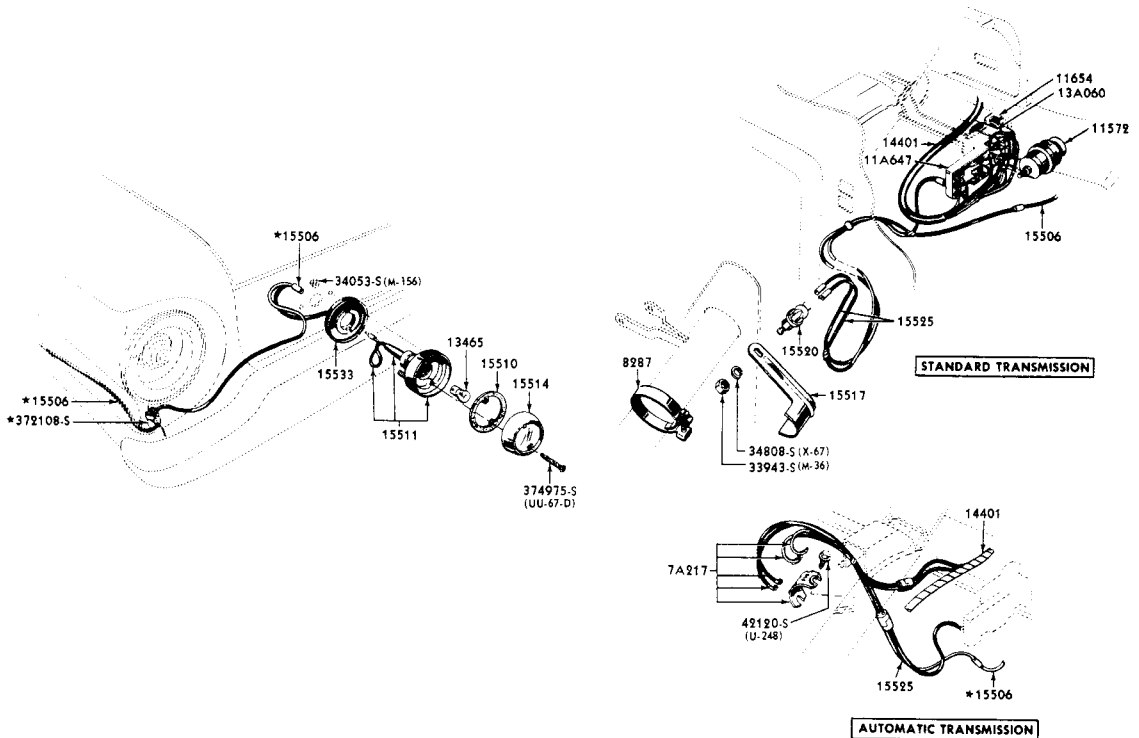
P-4242

1964 REAR LAMP, BACK UP LAMP & LICENSE PLATE LAMP (FALCON)



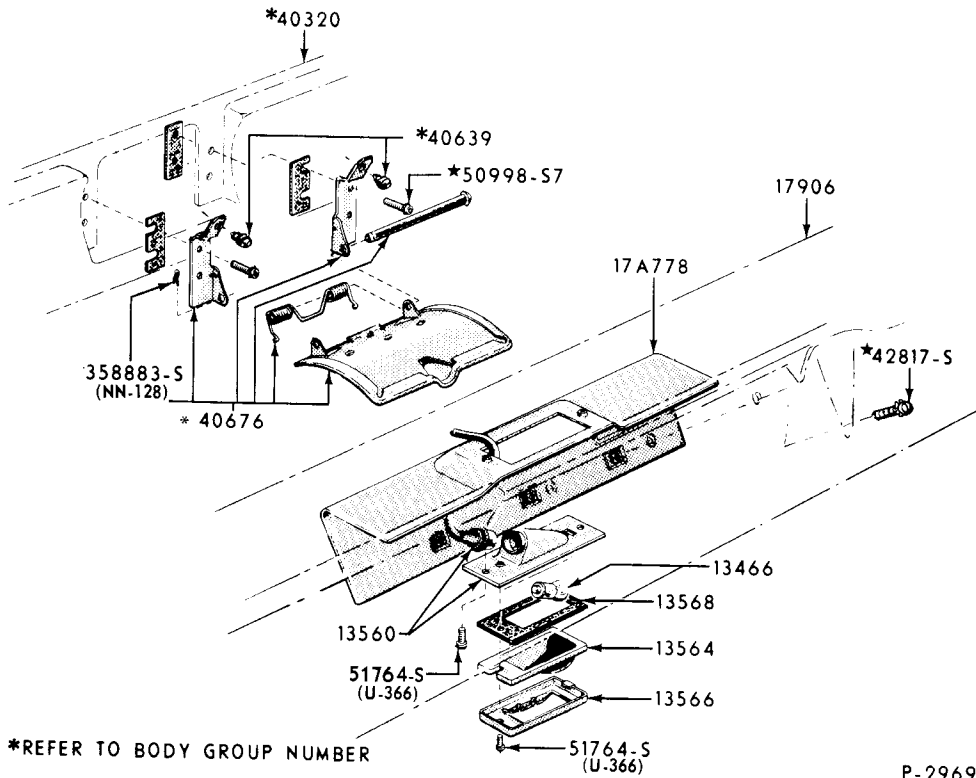
P-2968

1960 BACK UP LAMP (FORD)



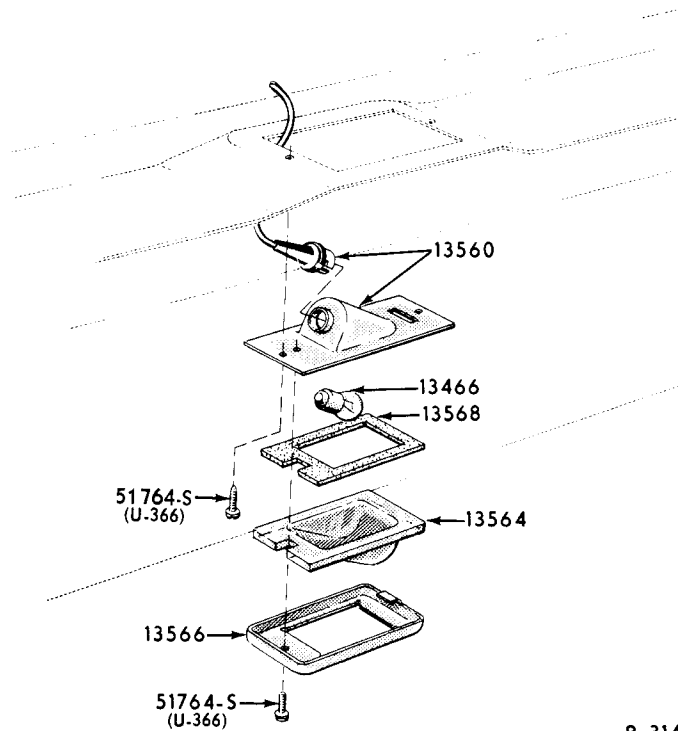
P-3436

1960/62 BACK UP LAMP (FALCON)



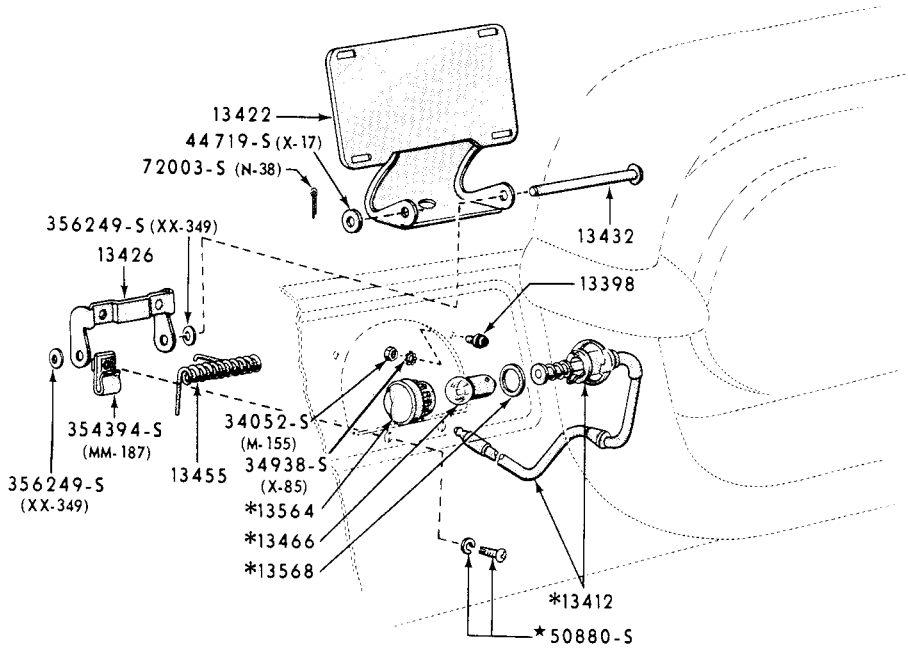
P-2969

1960/61 LICENSE PLATE LAMP (FORD)



P-3146

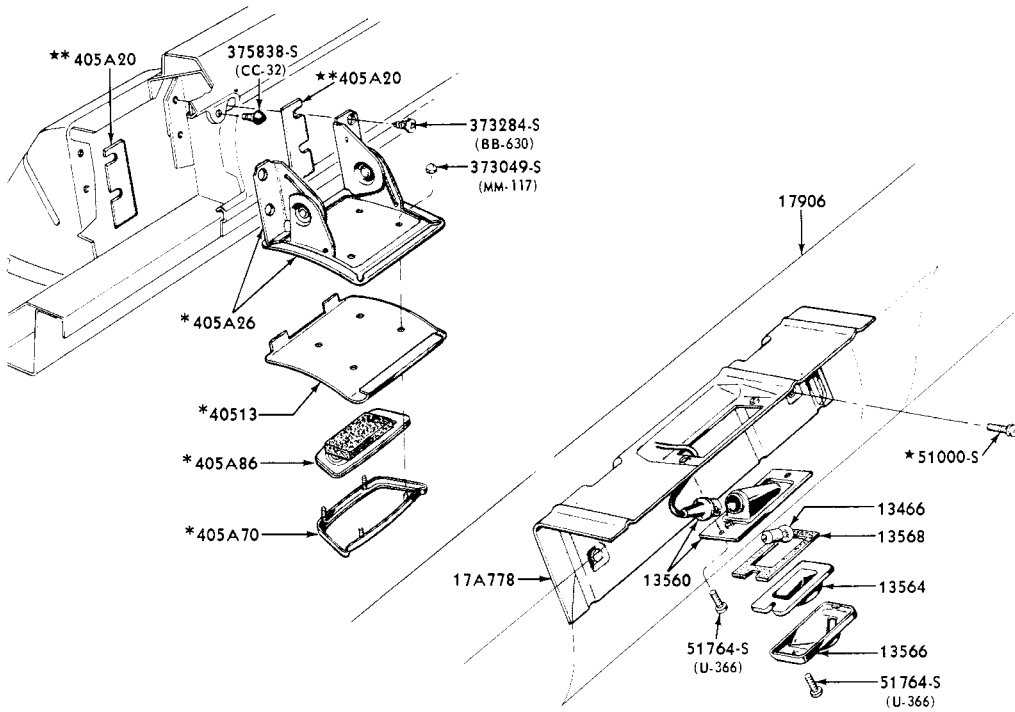
LICENSE PLATE LAMP
1960/63 FALCON 1962/63 FAIRLANE



*ALSO SUPPLIED IN 13550 LAMP ASS'Y.

P-2650

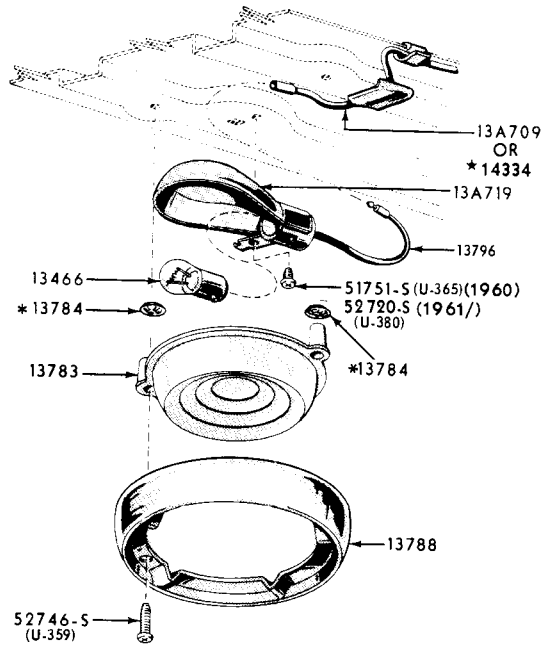
1960 LICENSE PLATE LAMP (THUNDERBIRD)



* REFER TO BODY GROUP NUMBER

P-3635

1962 LICENSE PLATE LAMP (FORD)

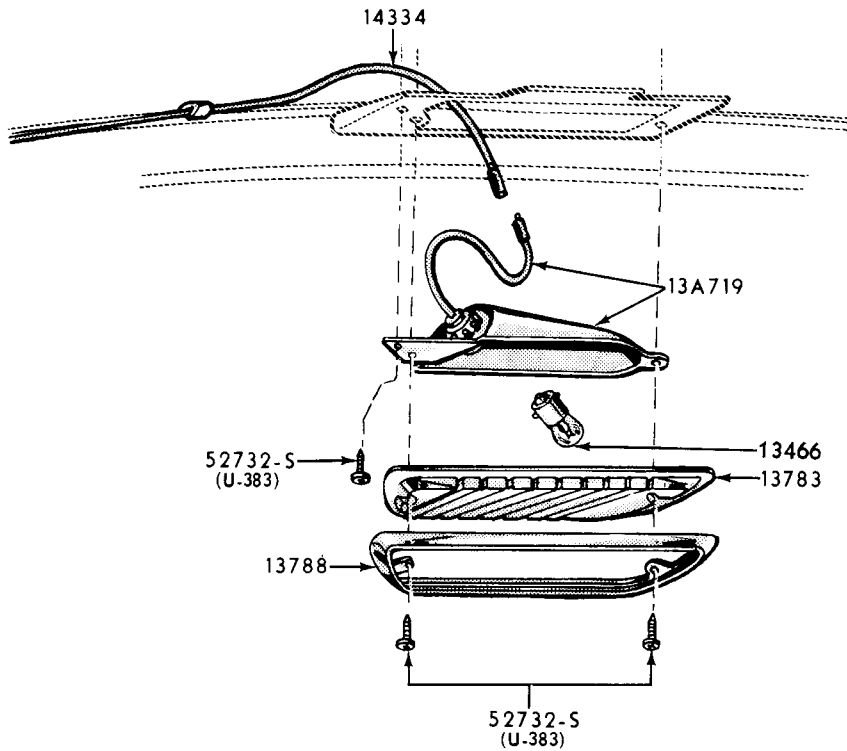


* USED ON STATION WAGON MODELS ONLY

P-2996

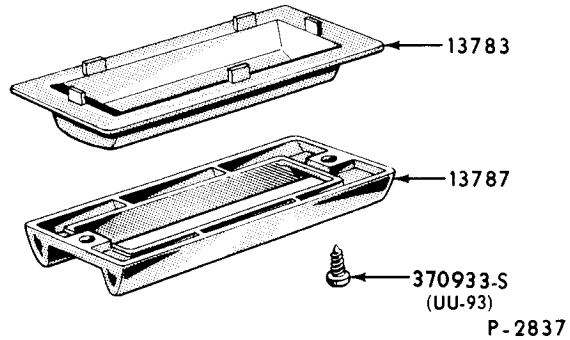
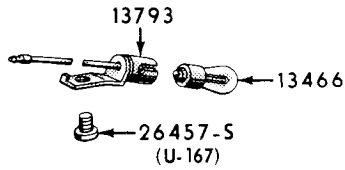
DOME LAMP-TYPICAL

1960/64 FORD 1961/ FALCON 1962/ FAIRLANE

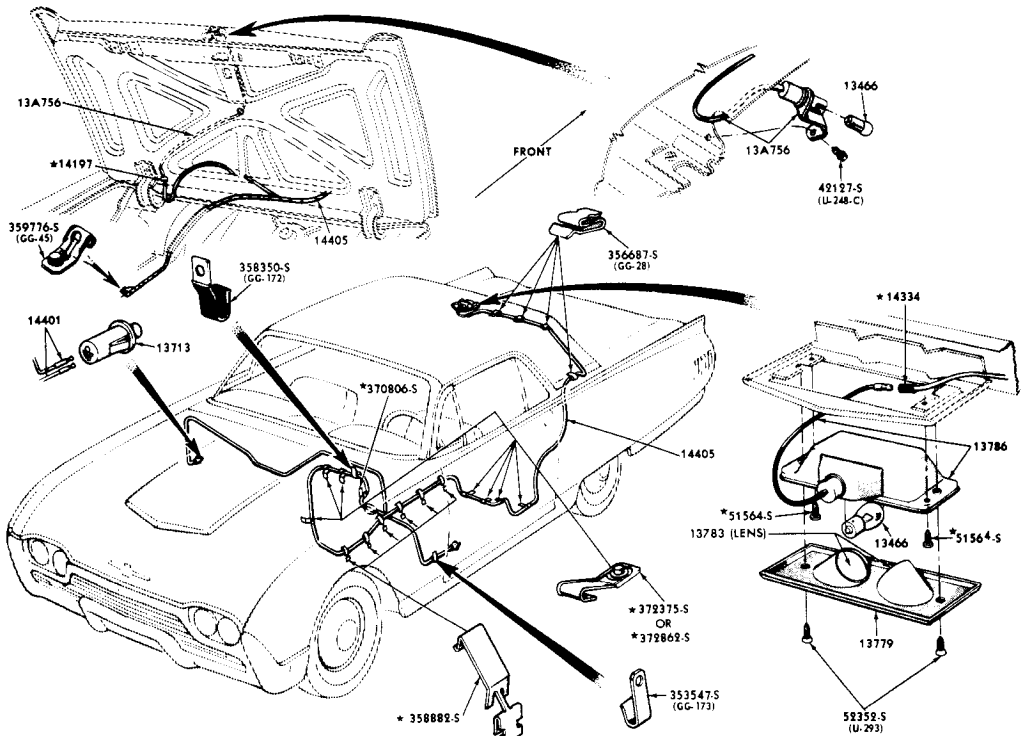


P-3115

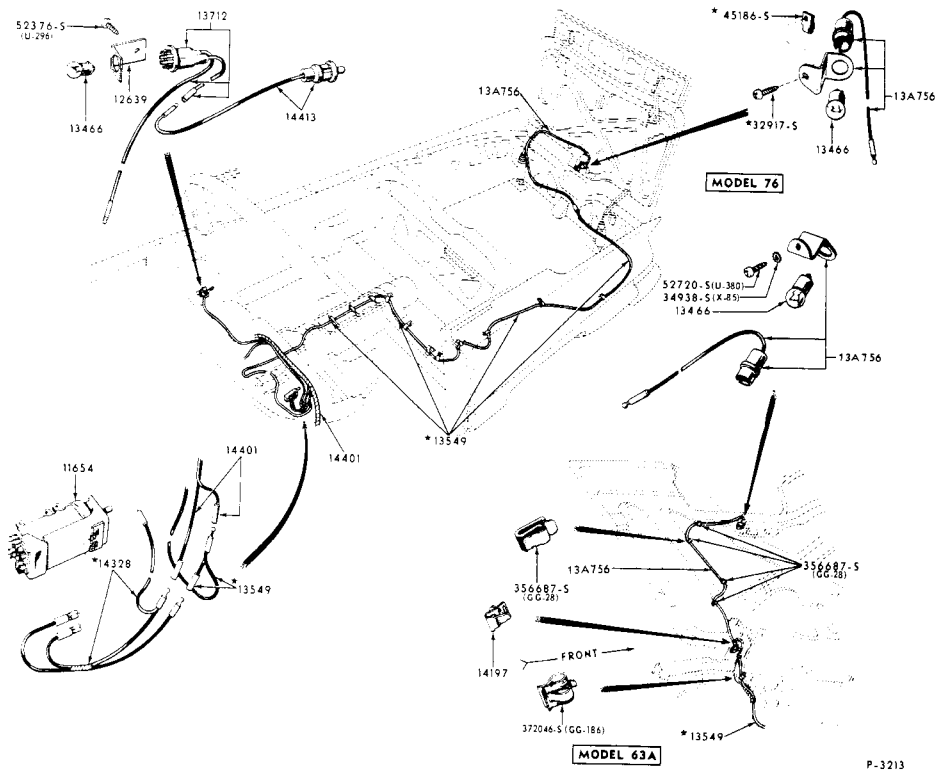
1960 DOME LAMP (FALCON)



1960 DOME LAMP (THUNDERBIRD)

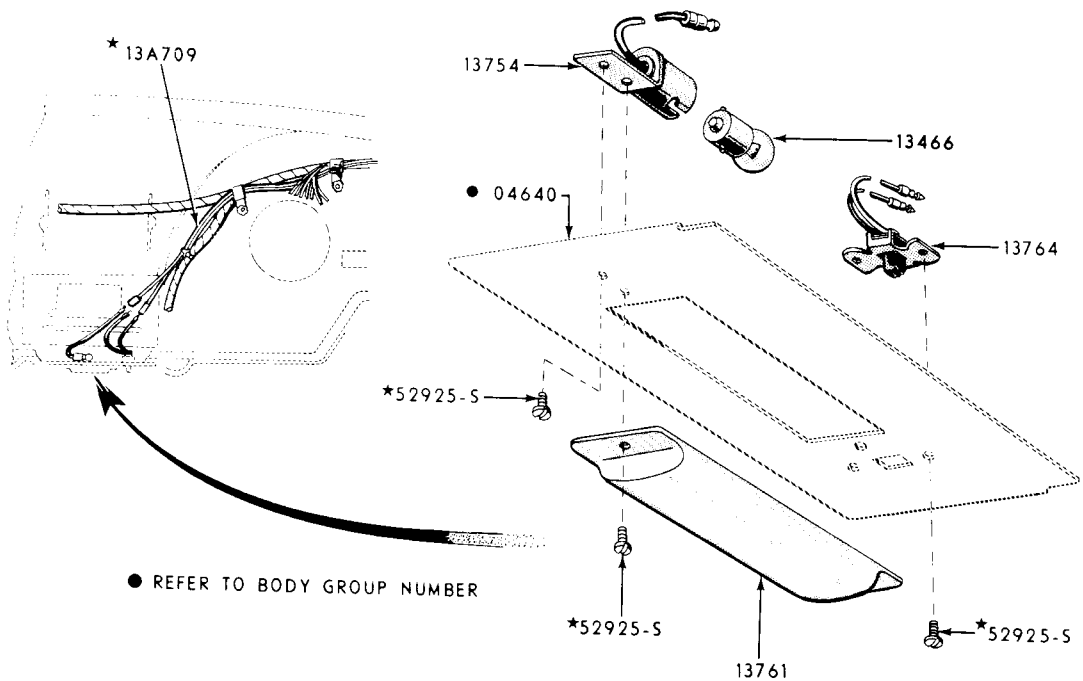


1961/63 DOME LAMP & LUGGAGE COMPARTMENT LAMP (THUNDERBIRD 63A)



P-3213

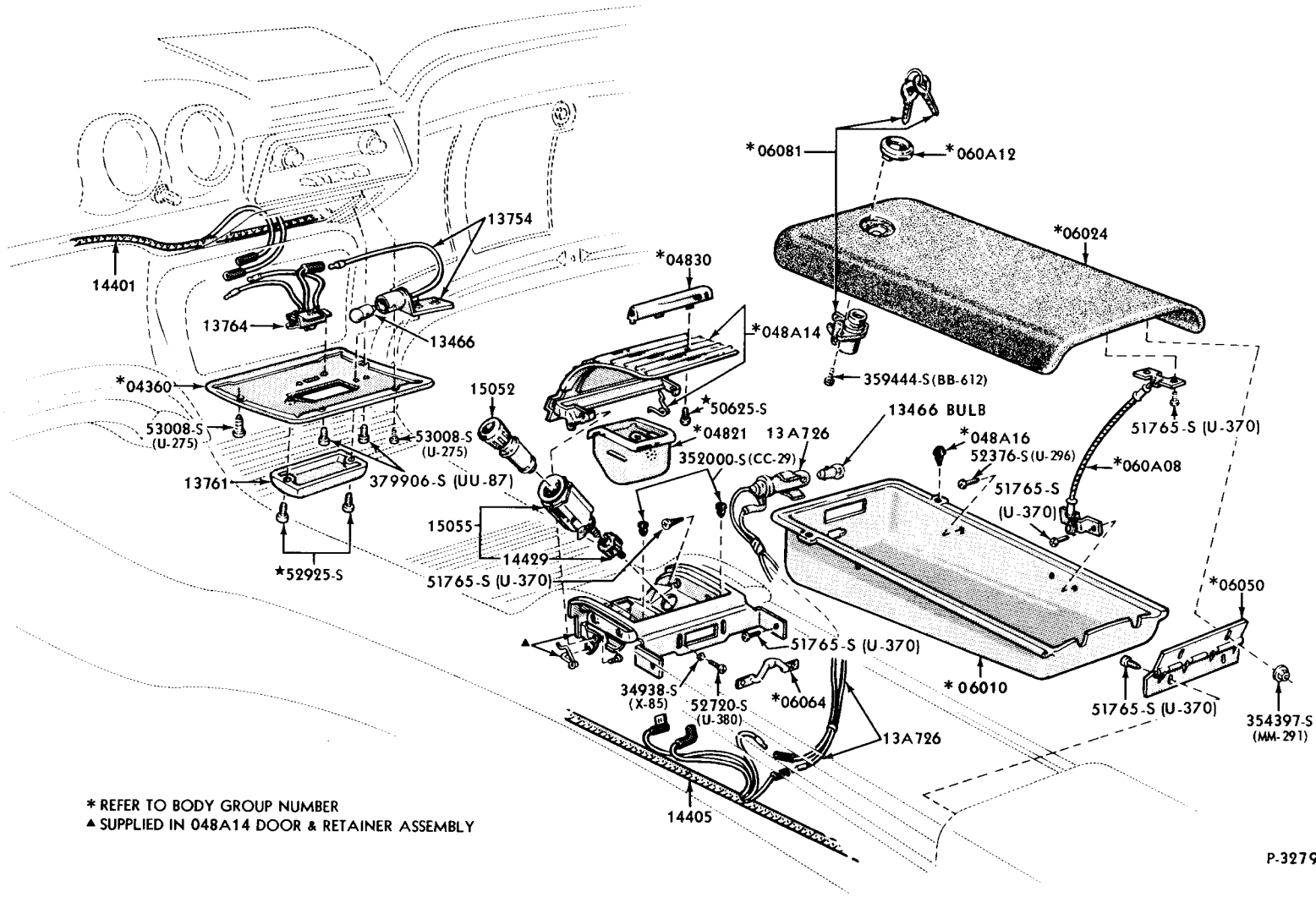
1960 GLOVE & LUGGAGE COMPARTMENT LAMPS & WIRING (THUNDERBIRD)



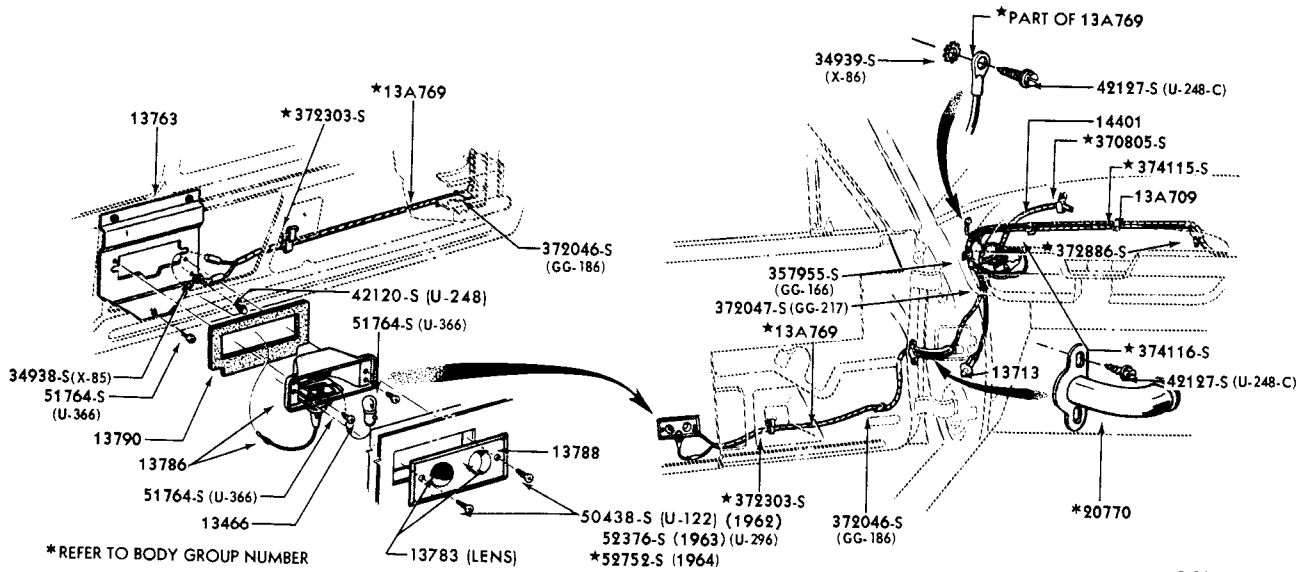
● REFER TO BODY GROUP NUMBER

FOR MODEL 76 ONLY

P-2999

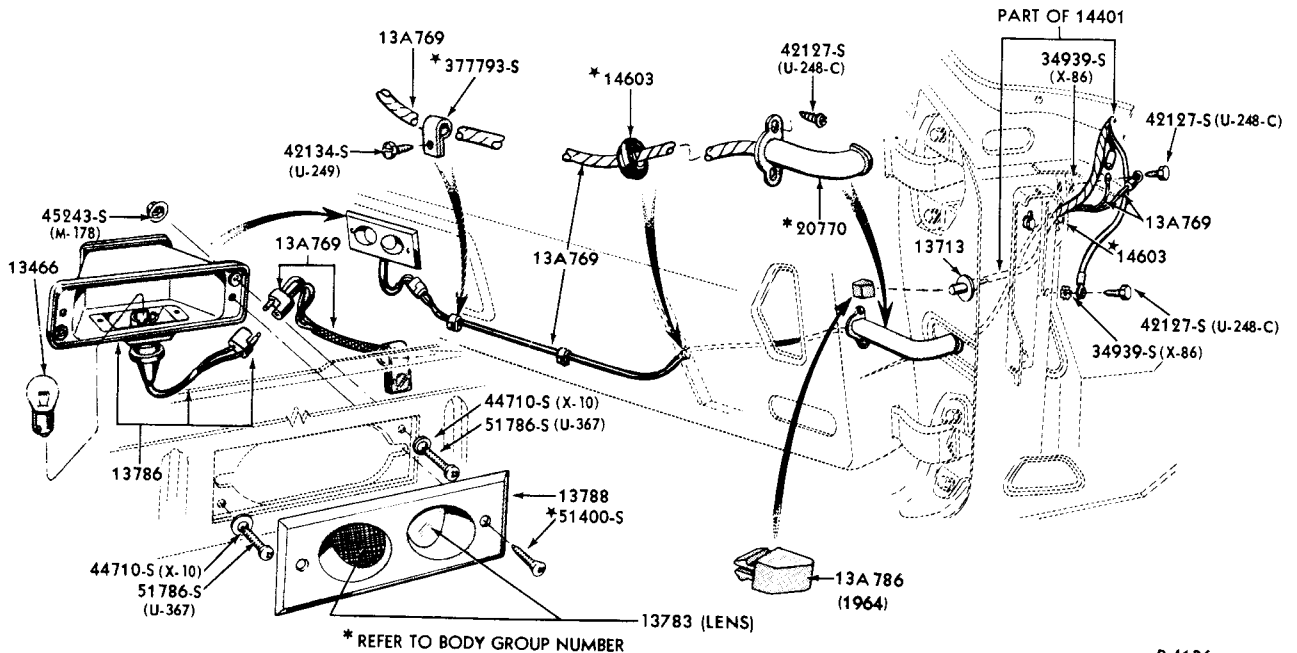


* REFER TO BODY GROUP NUMBER
 ▲ SUPPLIED IN 048A14 DOOR & RETAINER ASSEMBLY



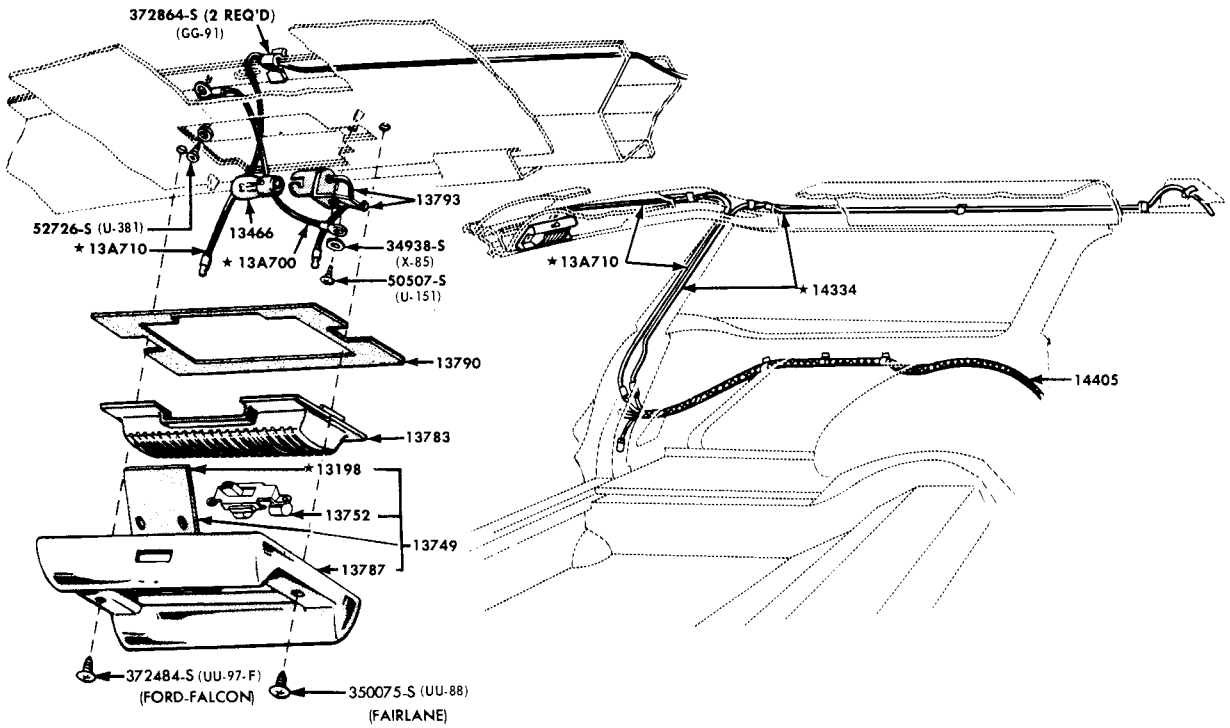
P-3891

1932/34 COURTESY LAMP & WIRING-INTERIOR DOOR (FORD-GALAXIE "500-XL")



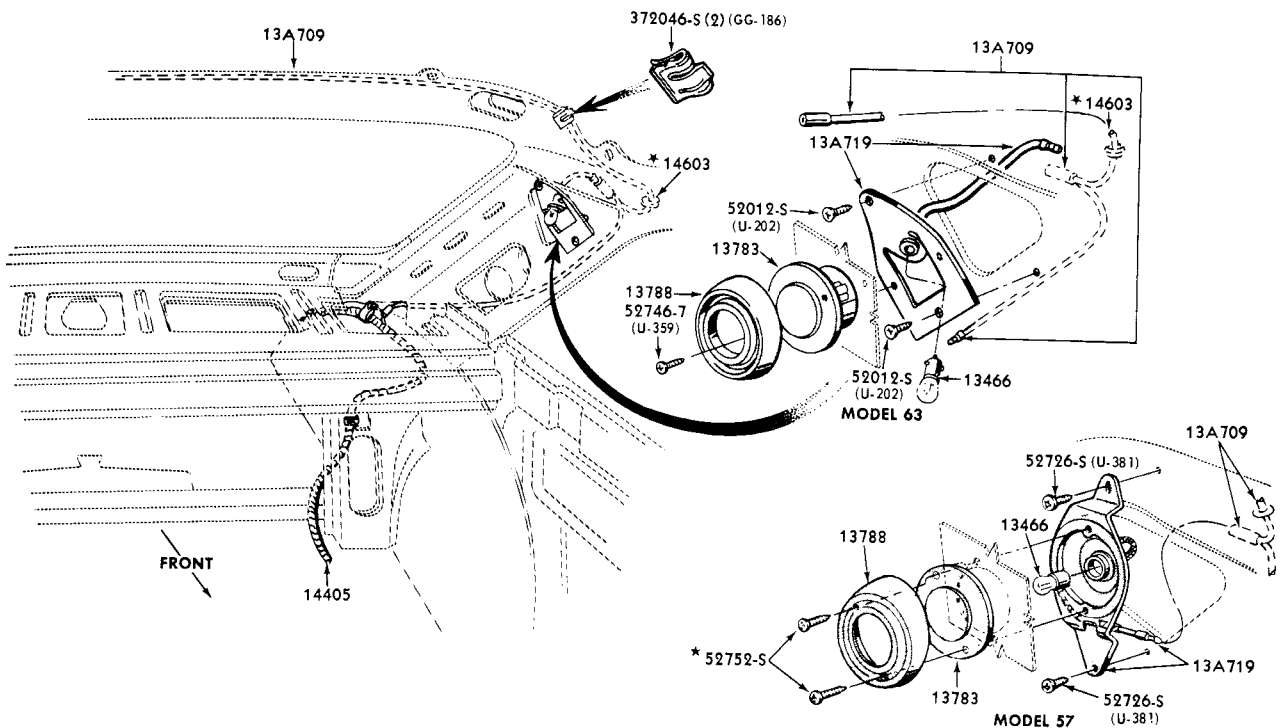
P-4136

1963/64 COURTESY LAMP & WIRING-INTERIOR DOOR (THUNDERBIRD)



CARGO AREA LAMP (STATION WAGON)
1964 FORD 1964/ FAIRLANE & FALCON

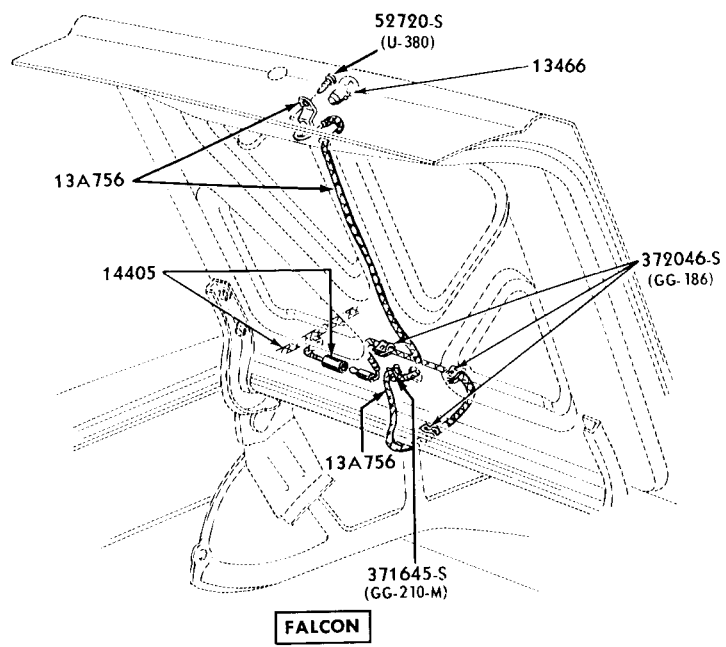
P4509



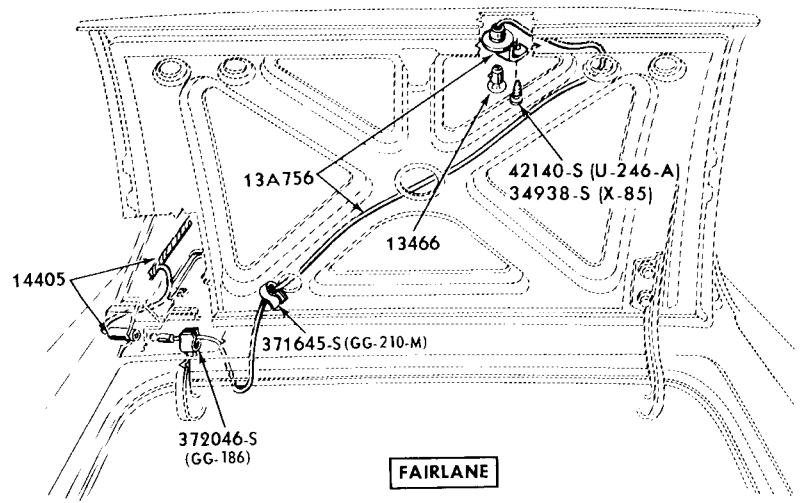
1963/64 PILLAR LAMP (FORD-GALAXIE "FASTBACK")

P.4147

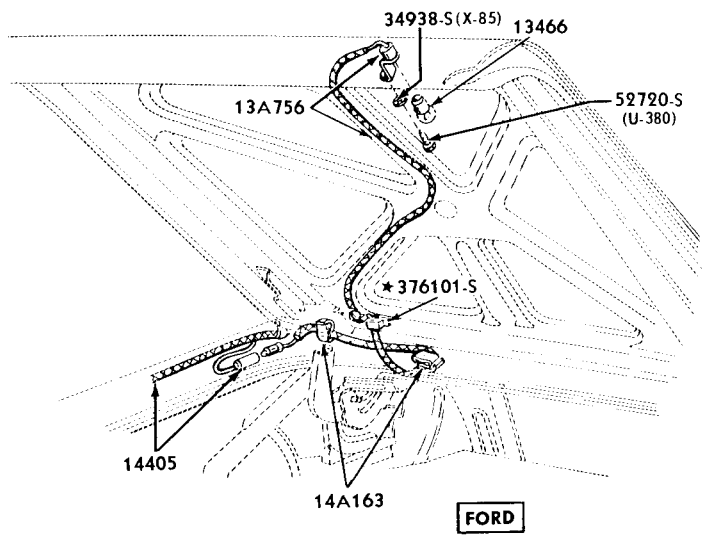
1964 LUGGAGE COMPARTMENT LAMP, WIRING & RELATED PARTS (FORD, FAIRLANE, THUNDERBIRD, FALCON)



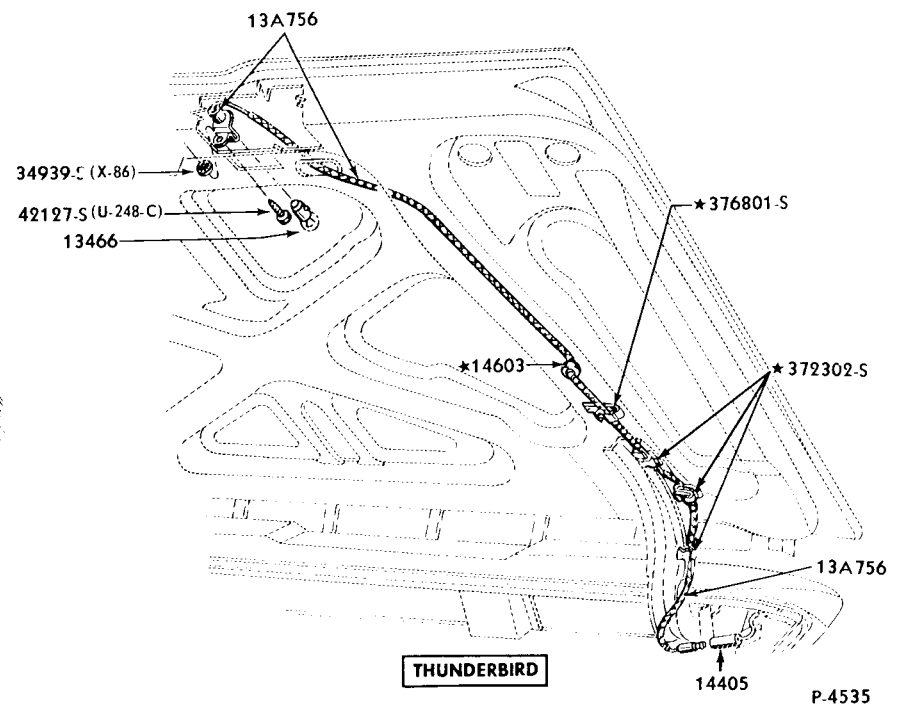
FALCON



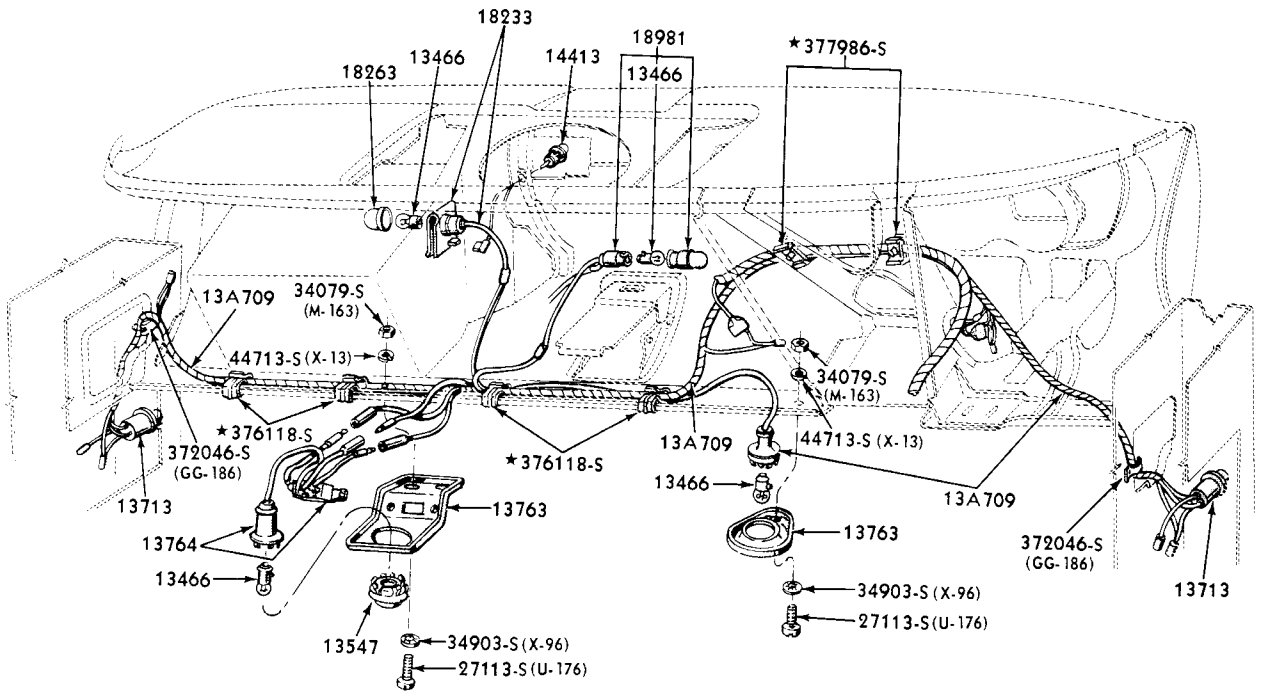
FAIRLANE



FORD

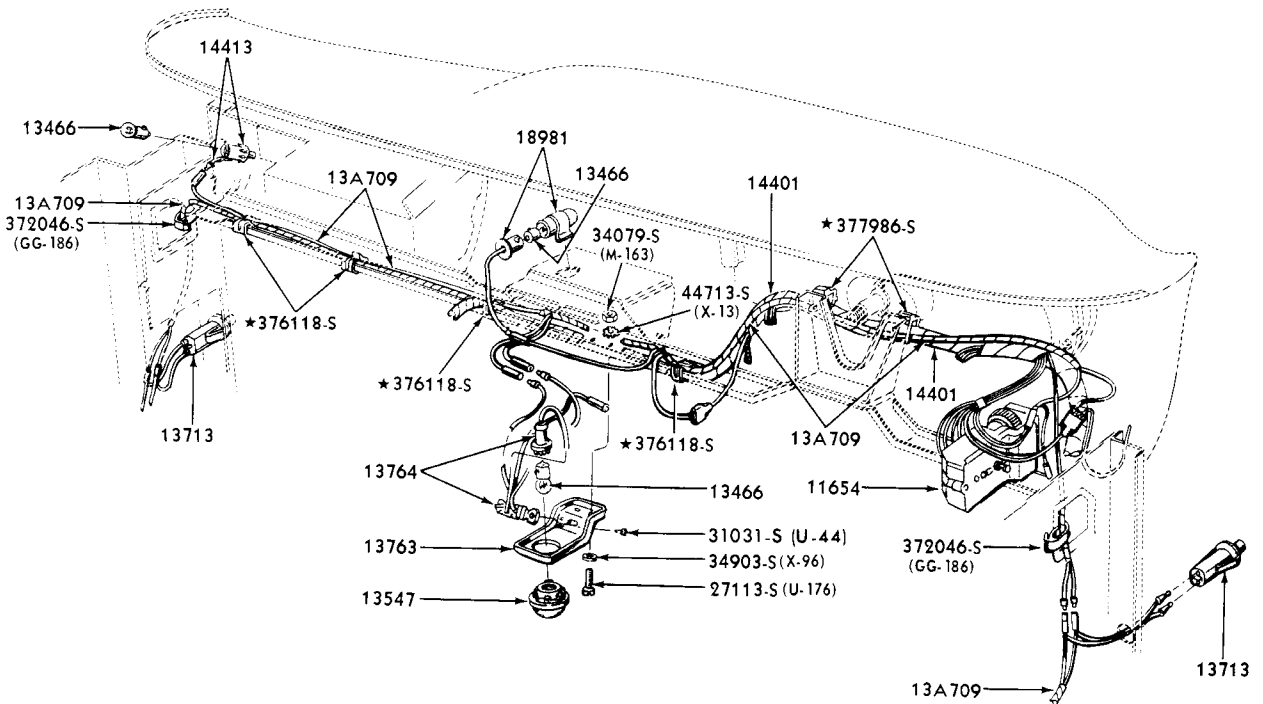


THUNDERBIRD



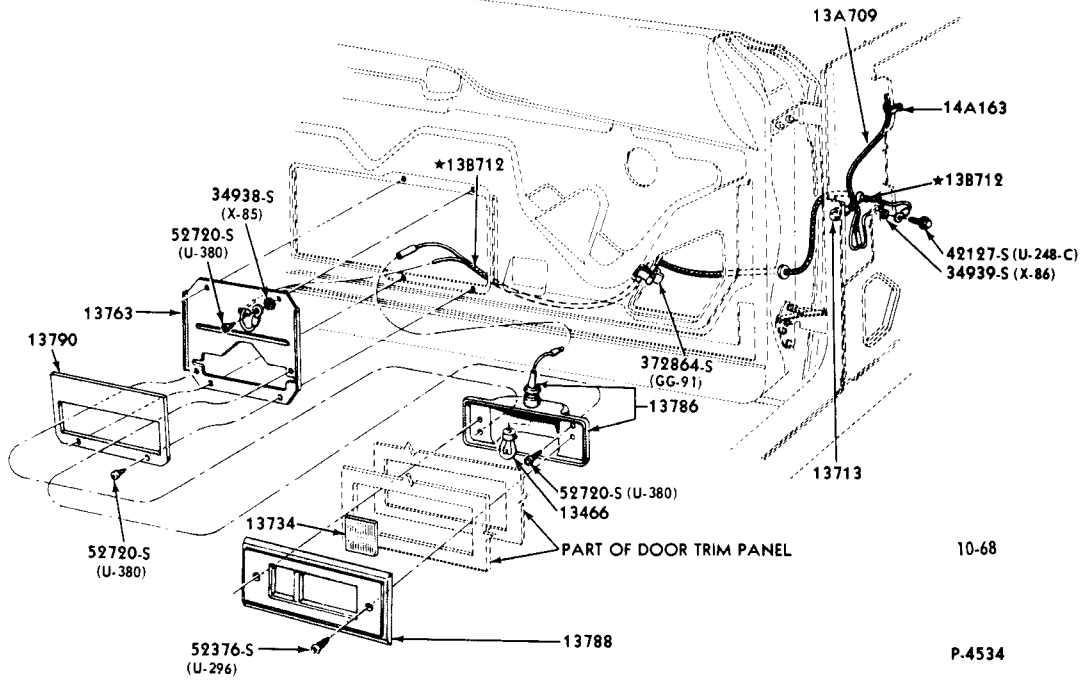
P-4417

1964/ COURTESY LAMPS & WIRING - INSTRUMENT PANEL (FALCON)

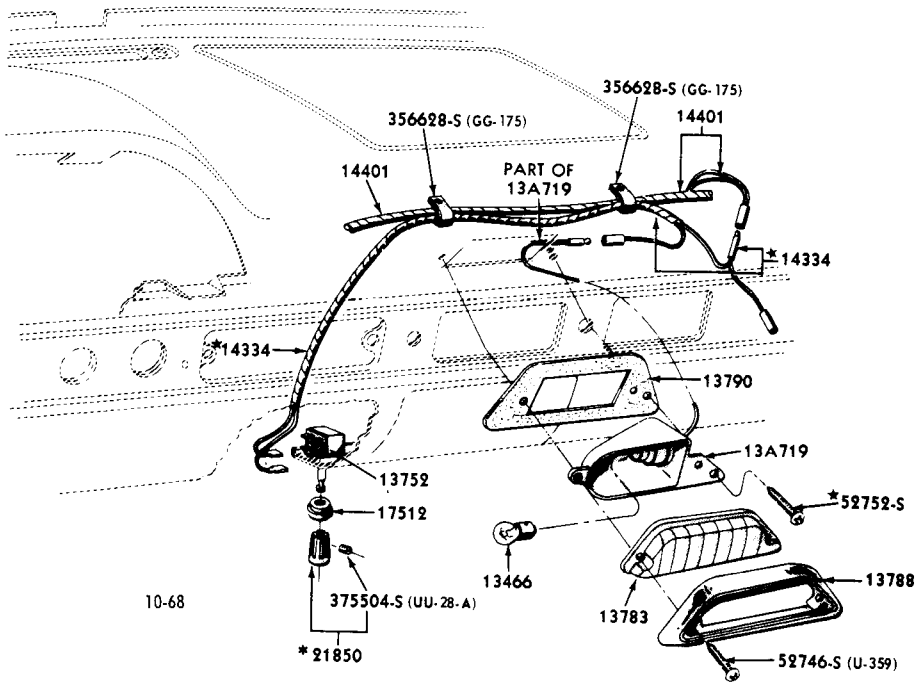


P-4593

1964/ COURTESY LAMPS & WIRING - INSTRUMENT PANEL (FAIRLANE)



1964/ COURTESY LAMP & WIRING-INTERIOR DOOR (FAIRLANE)



* REFER TO BODY GROUP NUMBER

P-4100

1964 INTERIOR LAMP-INSTRUMENT PANEL MOUNTED (FORD-"POLICE" & "TAXI")

WIRE TERMINALS

**SHEARS BOLTS
CRIMPS TERMINALS
STRIPS AND
CUTS WIRE**

Illustrated here are high quality terminals and connectors containing these special features:

Color coded for easy identification

Expanded insulated sleeves for easy application







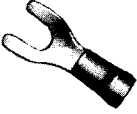



Wire stops to eliminate error

Tin plated electrolytic copper for corrosion resistance

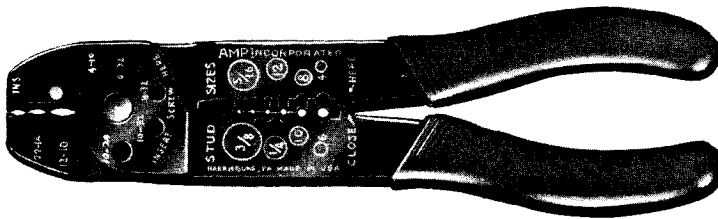
Plastic insulation eliminates taping

Serrated metal inside terminals

Bell mouth terminals and connectors for easy wire insertion

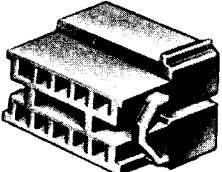
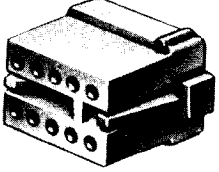
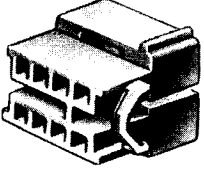
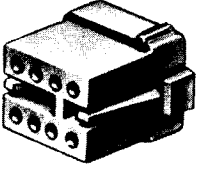
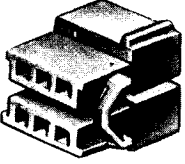
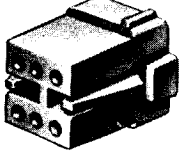
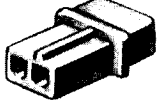



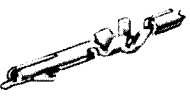

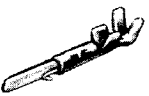
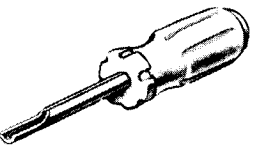
 12-10 WIRE # 3/4 STUD B9A-14294-H	 16-14 WIRE # 1/4 STUD B9A-14294-D	 22-16 WIRE # 10 STUD B9A-14294-A	 18-14 WIRE SHUR PLUG B9A-14294-K
 12-10 WIRE # 1/4 STUD B9A-14294-G	 16-14 WIRE # 10 STUD B9A-14294-C	 22-16 WIRE BUTT CONNECTOR B9A-14487-A	 18-14 WIRE FASTON TAB B9A-14294-J
 12-10 WIRE # 10 STUD B9A-14294-F	 16-14 WIRE # 6 STUD B9A-14294-B	 16-14 WIRE BUTT CONNECTOR B9A-14487-B	 DISTRIBUTOR HIGH TENSION 18-14466-A
 16-14 WIRE # 10 STUD B9A-14294-E	 18-14 WIRE FASTON RECEPTACLE B9A-14294-L	 16-14 WIRE SHUR PLUG B9A-14294-M	 18-14 WIRE CONNECTOR B6A-14487-A
 18-14 WIRE CONNECTOR B7A-14487-A			

**CRIMPING
TOOL
B9A-17018-A**

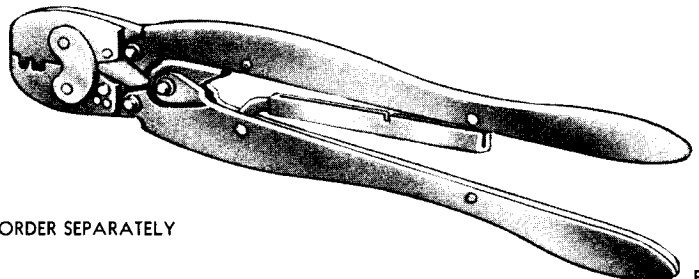


COLOR CODE
 22-16 WIRE SIZE
RED
 16-14 WIRE SIZE
BLUE
 12-10 WIRE SIZE
YELLOW

WIRE CONNECTOR SLEEVE KIT C4AZ 14294-A

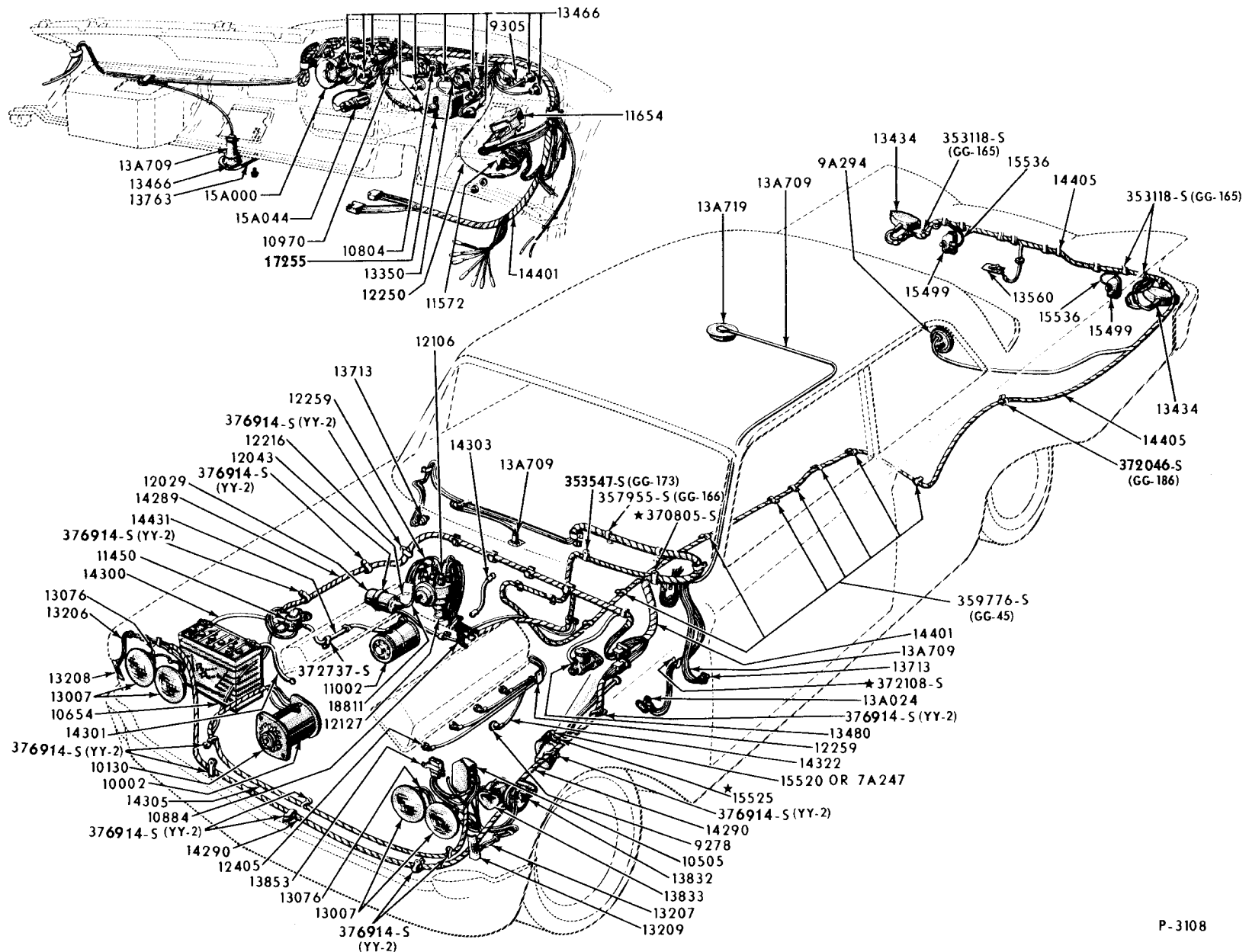
<p>10 CIRCUIT PIN TERMINAL SLEEVE</p>  <p>C5SZ 14489-B</p>	<p>10 CIRCUIT SOCKET TERMINAL SLEEVE</p>  <p>C5SZ 14489-A</p>	<p>8 CIRCUIT PIN TERMINAL SLEEVE</p>  <p>C4AZ 14489-F</p>	<p>8 CIRCUIT SOCKET TERMINAL SLEEVE</p>  <p>C4AZ 14489-E</p>
<p>6&4 CIRCUIT PIN TERMINAL SLEEVE</p>  <p>C5AZ 14489-H</p>	<p>6&4 CIRCUIT SOCKET TERMINAL SLEEVE</p>  <p>C5AZ 14489-G</p>	<p>2 CIRCUIT PIN TERMINAL SLEEVE</p>  <p>C5AZ 14489-E</p>	<p>2 CIRCUIT SOCKET TERMINAL SLEEVE</p>  <p>C5AZ 14489-F</p>
<p>SINGLE CIRCUIT PIN TERMINAL SLEEVE</p>  <p>C6AZ 14A309-B</p>	<p>SINGLE CIRCUIT SOCKET TERMINAL SLEEVE</p>  <p>C6AZ 14A309-A</p>	<p>SOCKET TERMINAL</p>  <p>C4AZ 14488-A</p>	<p>SOCKET TERMINAL</p>  <p>C4AZ 14488-B</p>
<p>PIN TERMINAL</p>  <p>C4AZ 14461-A</p>	<p>TERMINAL EXTRACTION TOOL</p>  <p>C4AZ 17018-B</p>		

CRIMPING TOOL
*C4AZ 17018-A



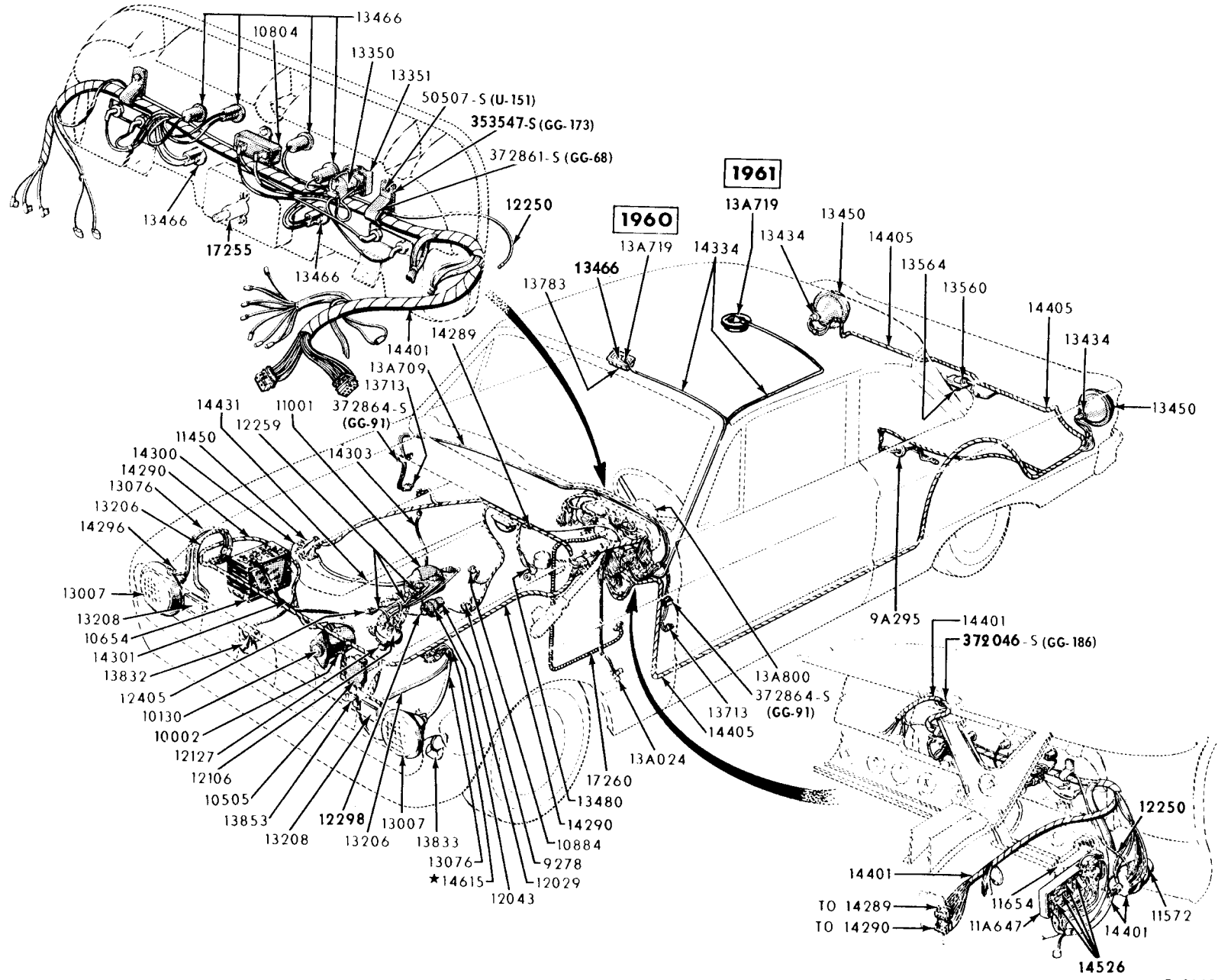
* NOT SUPPLIED IN C4AZ 14294-A KIT - ORDER SEPARATELY

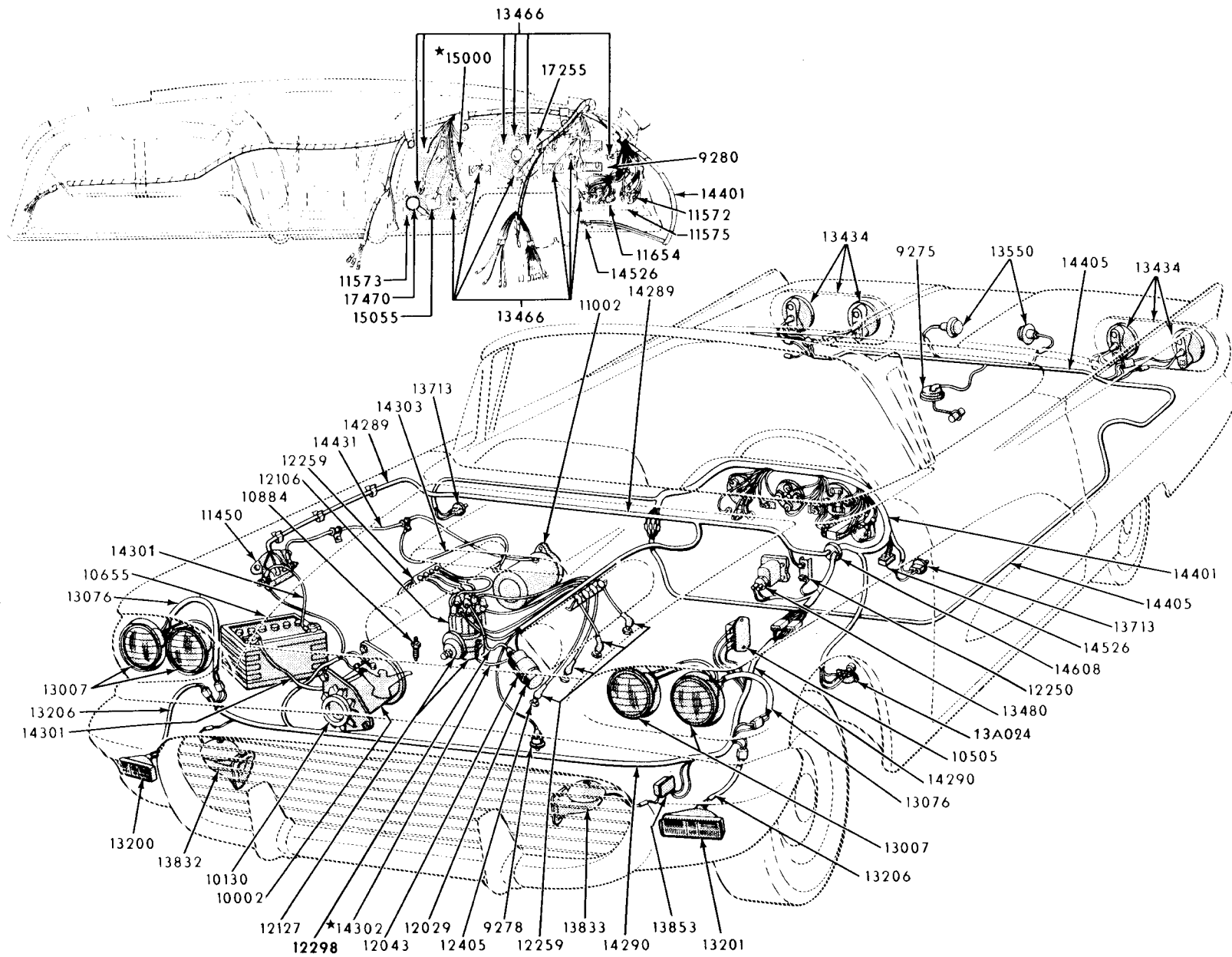
P-5344



1960 WIRING SYSTEM (FORD)-TYPICAL

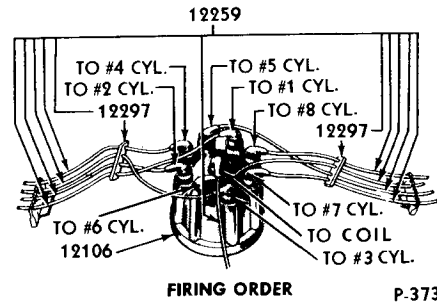
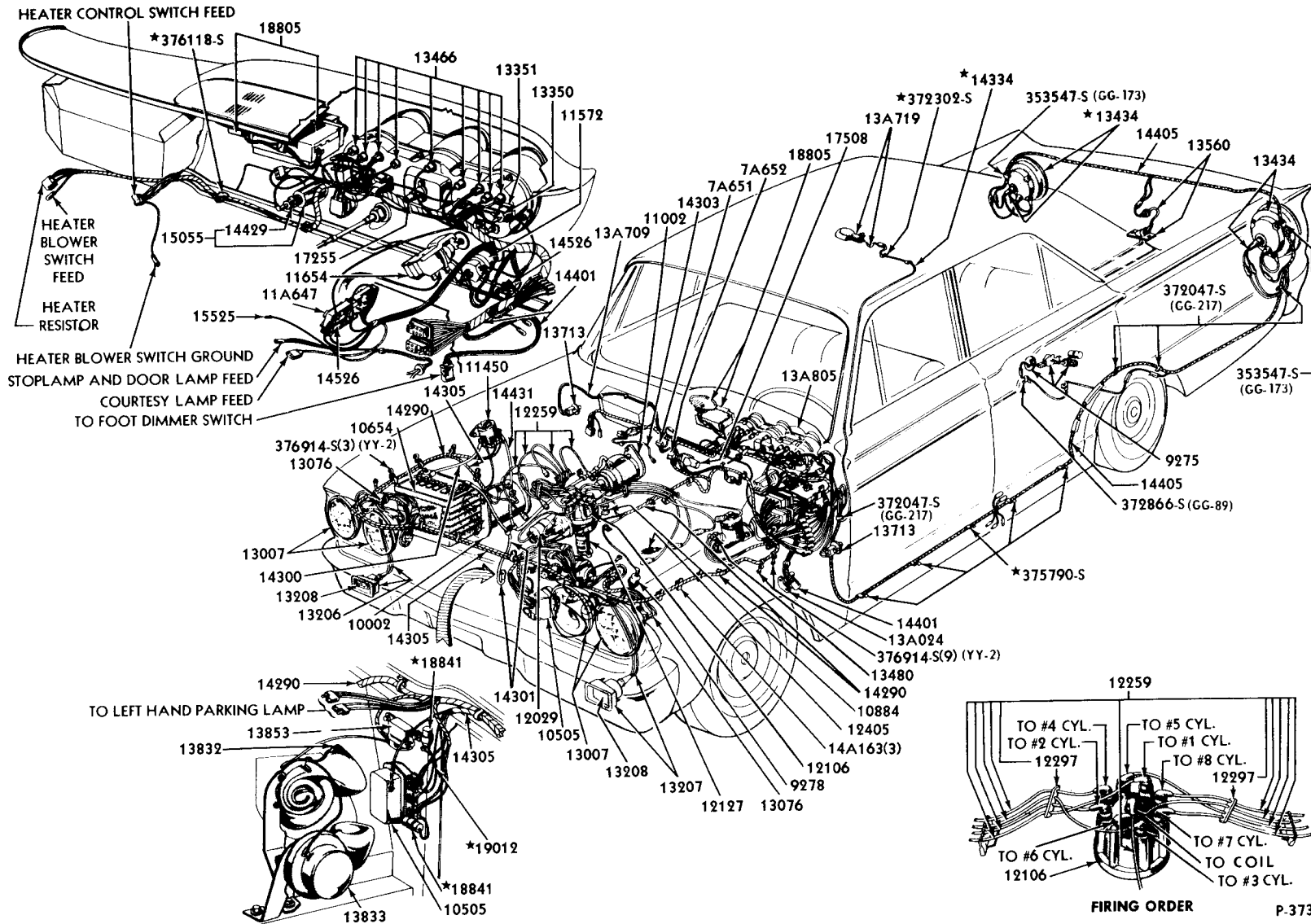
1960/62 WIRING SYSTEM (FALCON)



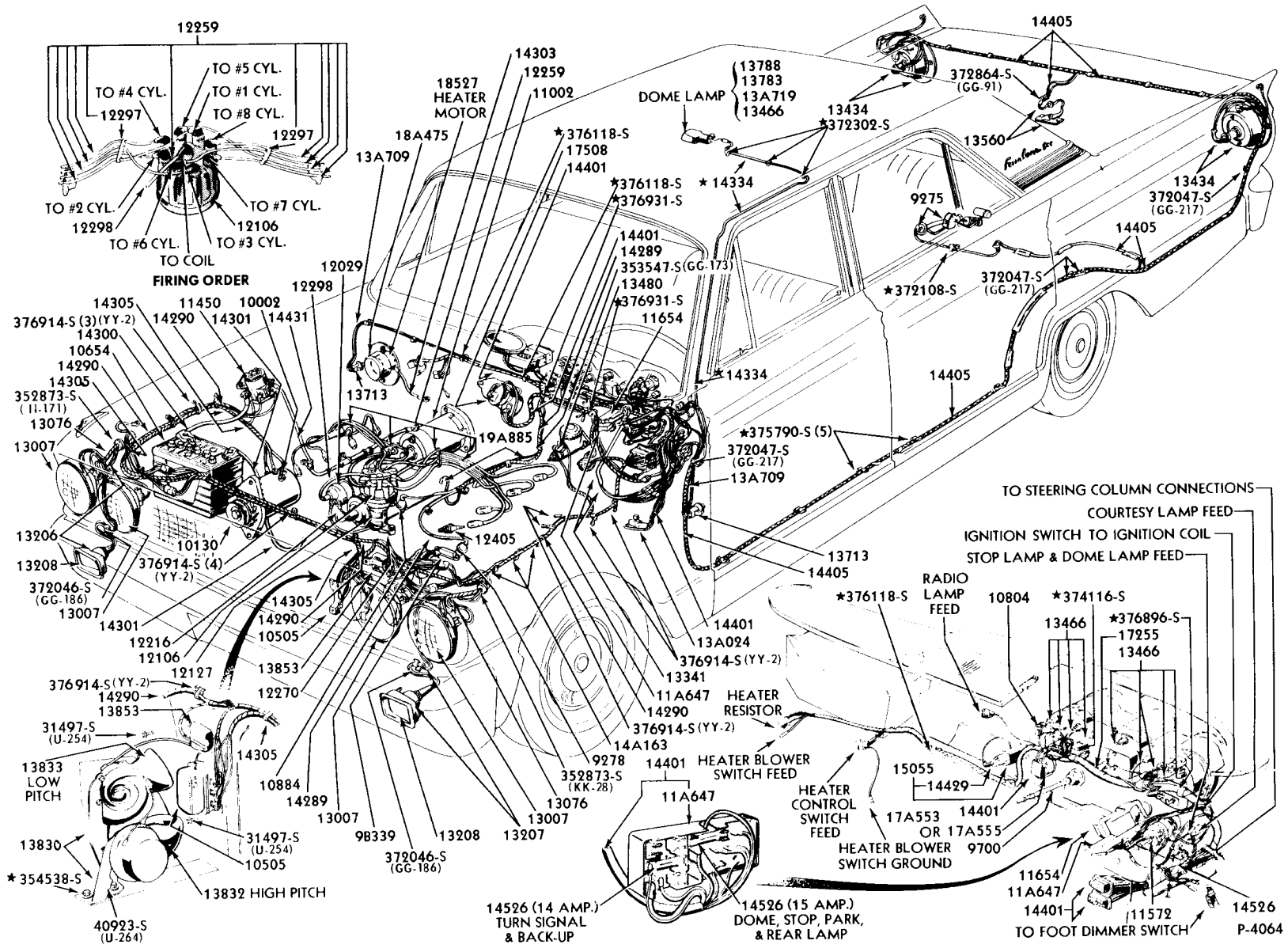


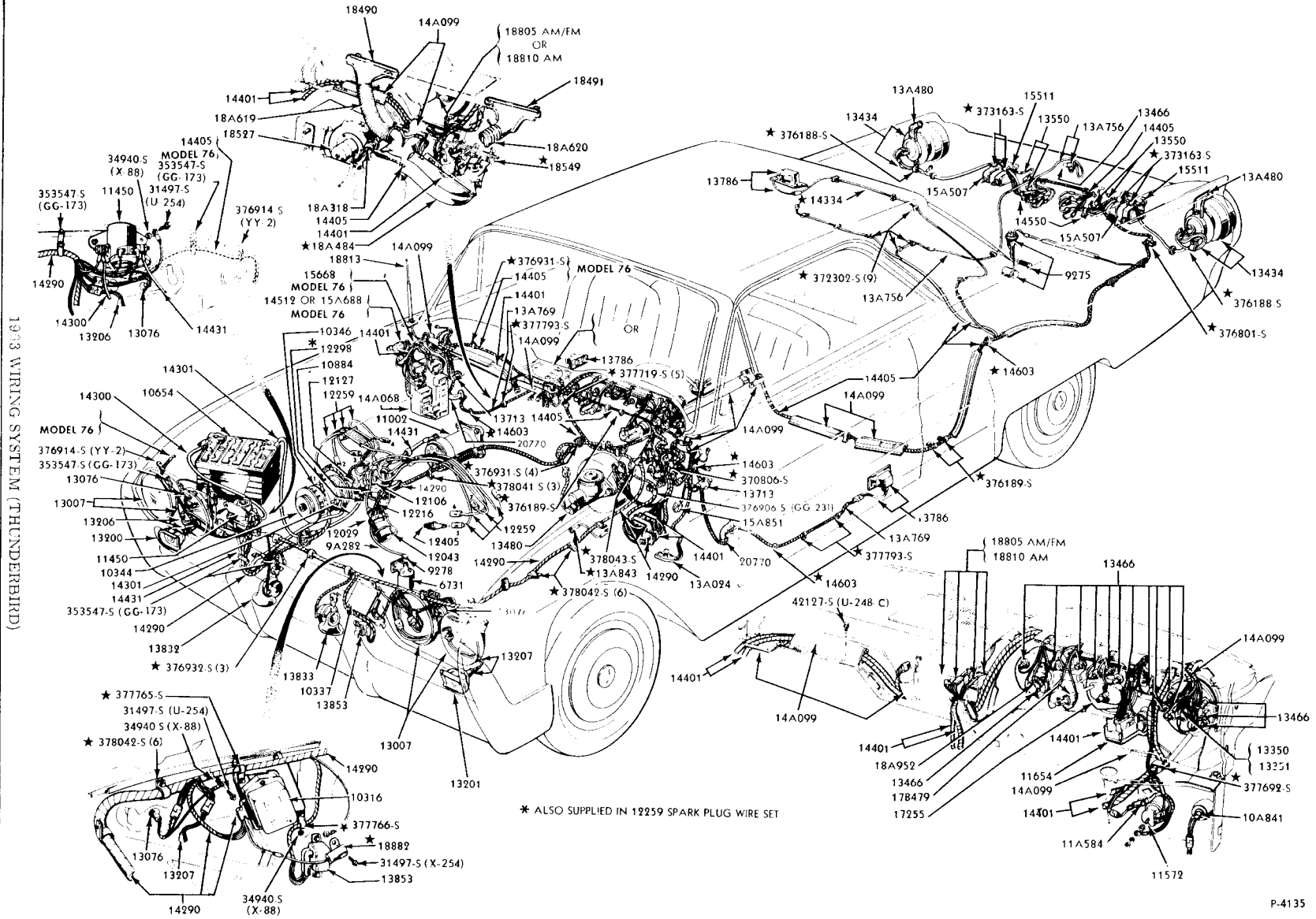
1960 WIRING SYSTEM (THUNDERBIRD) - TYPICAL

- 13466
- *15000
- 17255
- 9280
- 14401
- 11572
- 11575
- 11654
- 14526
- 14289
- 11002
- 13434
- 9275
- 13550
- 14405
- 13434
- 11573
- 17470
- 15055
- 13466
- 13713
- 14303
- 14289
- 14431
- 12259
- 12106
- 10884
- 11450
- 14301
- 10655
- 13076
- 13007
- 13206
- 14301
- 13200
- 13832
- 10130
- 10002
- 12127
- *14302
- 12029
- 9278
- 13833
- 13853
- 14290
- 13201
- 12298
- 12043
- 12405
- 12259
- 14290
- 13434
- 14401
- 14405
- 14401
- 14405
- 13713
- 14526
- 14608
- 12250
- 13480
- 13A024
- 10505
- 14290
- 13076
- 13007
- 13206



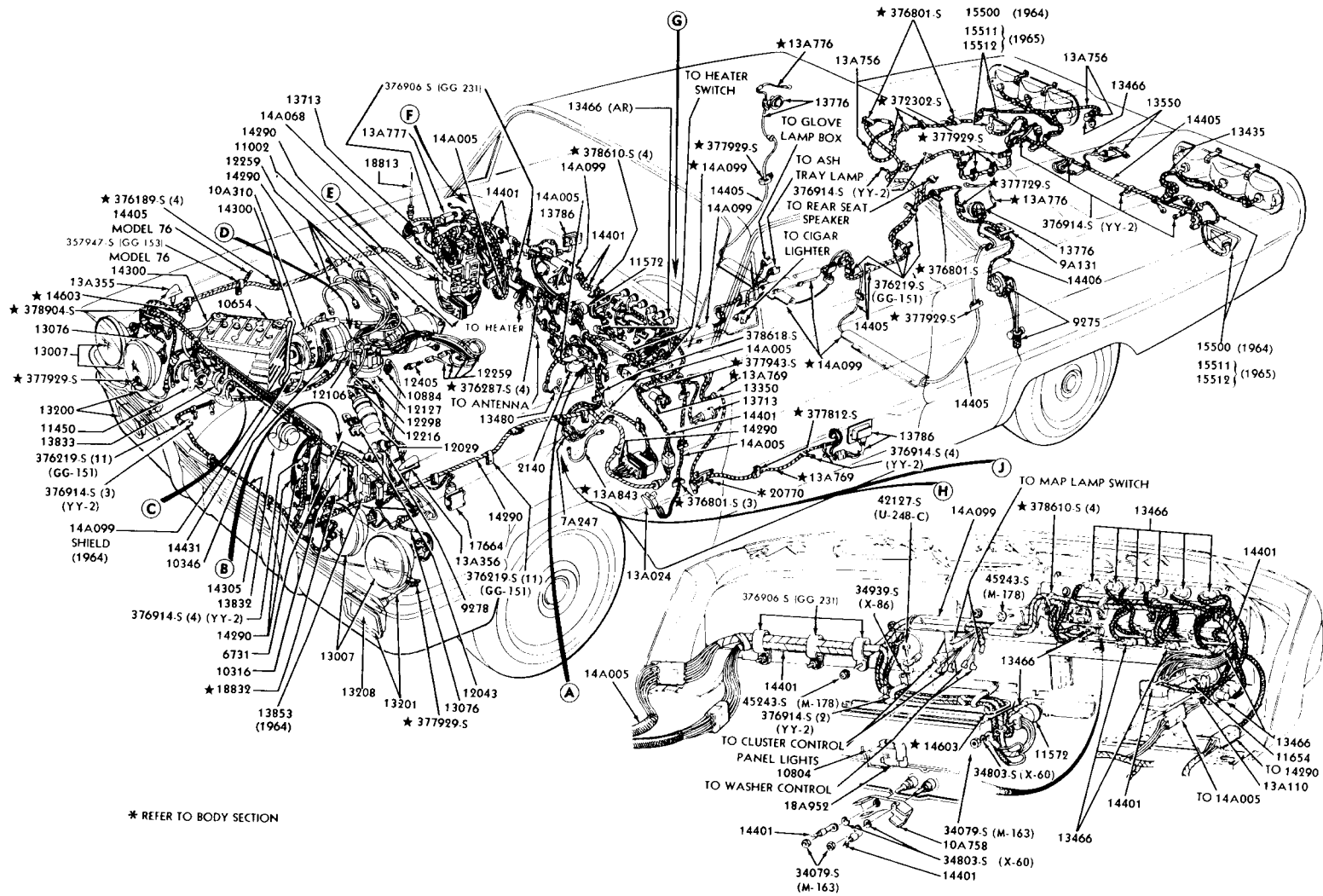
1963 / WIRING SYSTEM (FAIRLANE) - TYPICAL

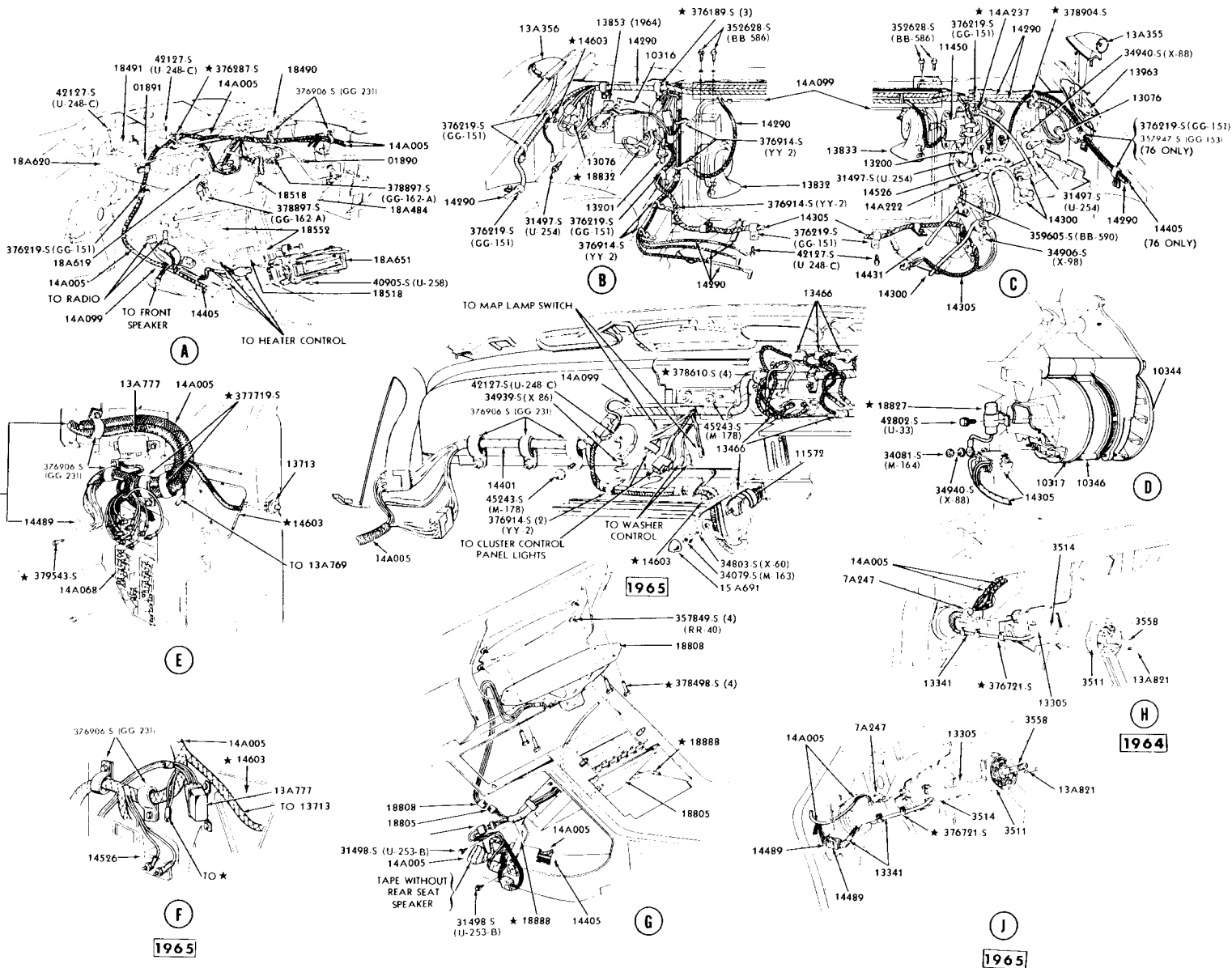


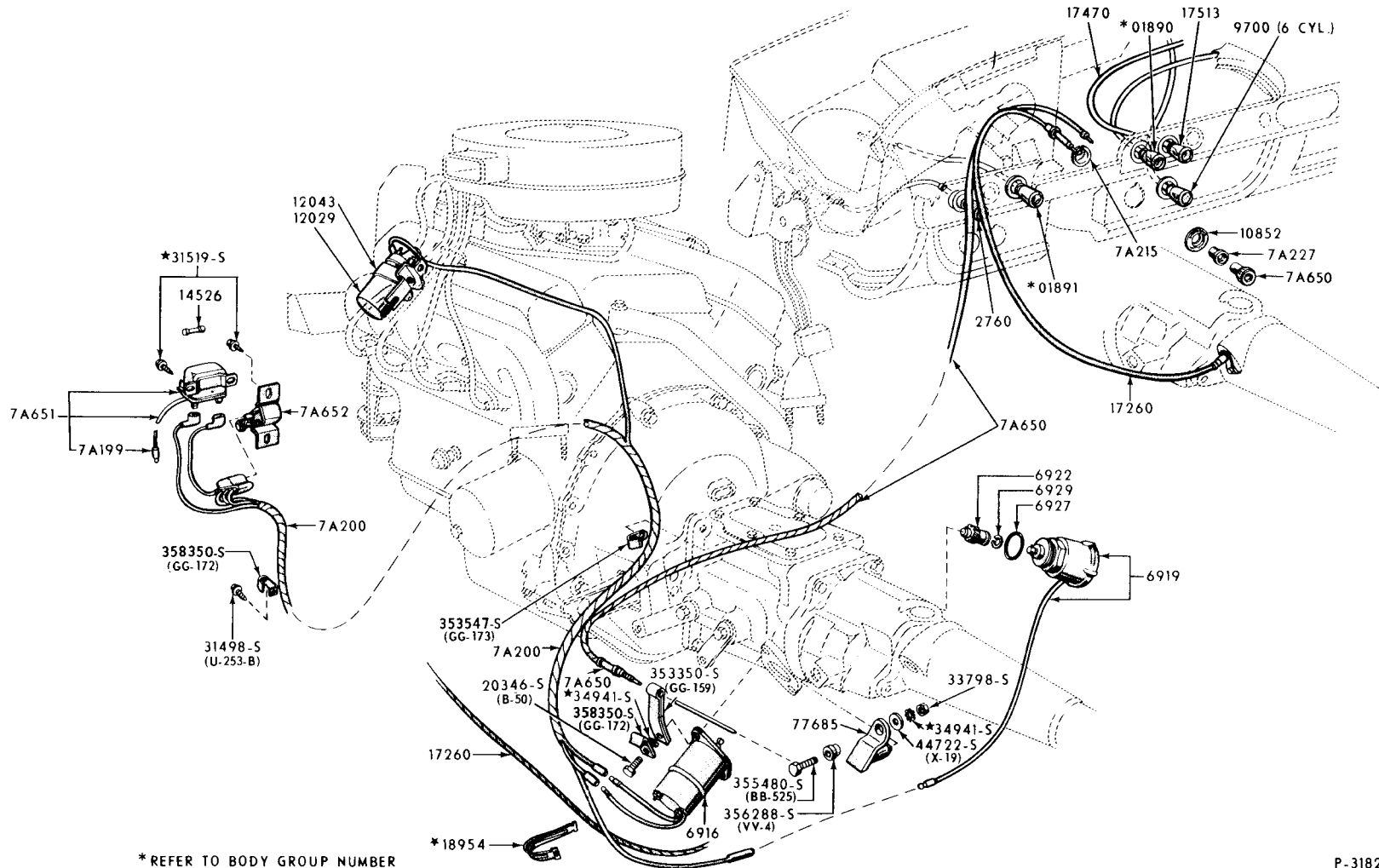


1963 WIRING SYSTEM (THUNDERBIRD)

1964 / WIRING SYSTEM (THUNDERBIRD)

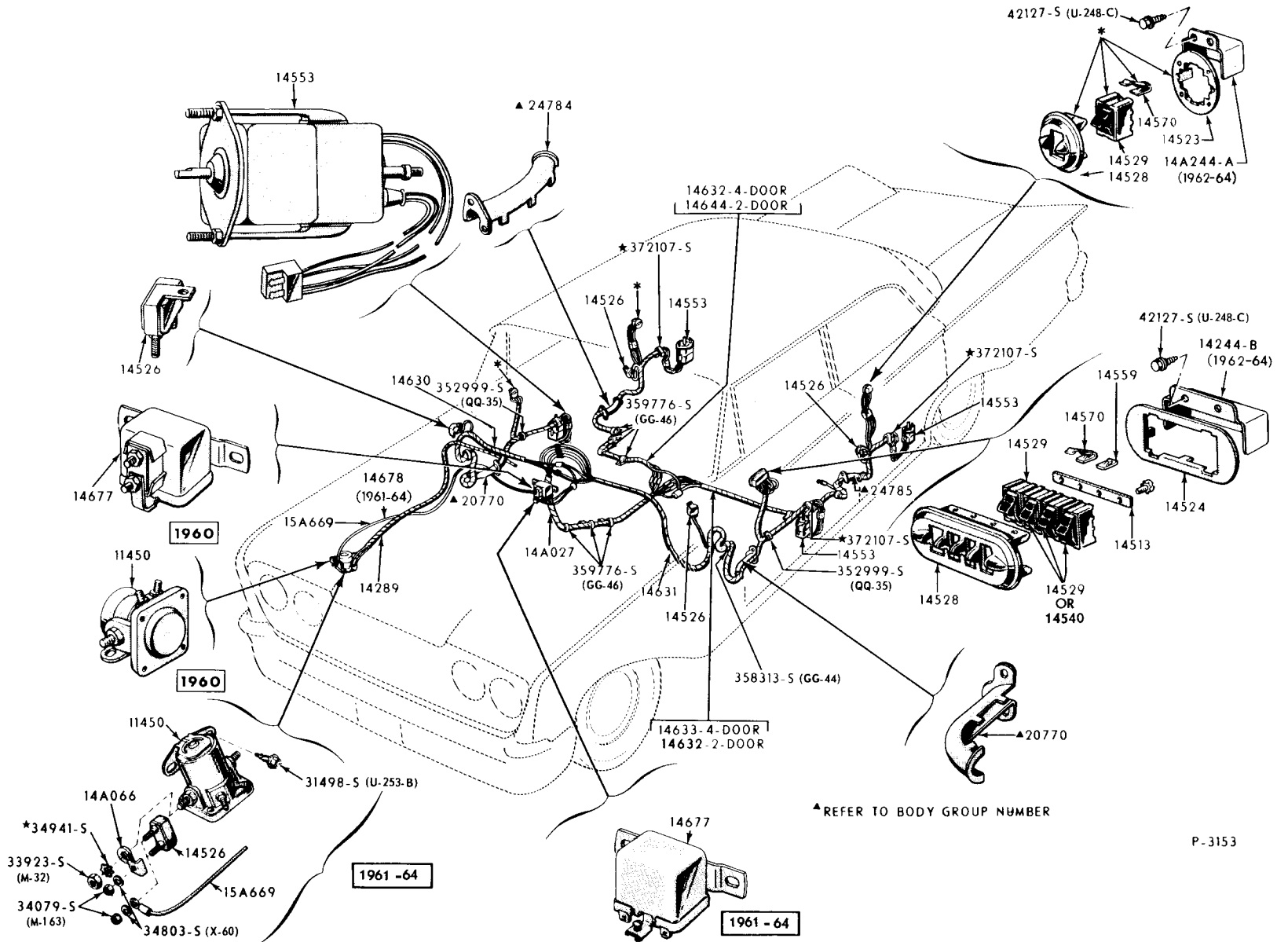




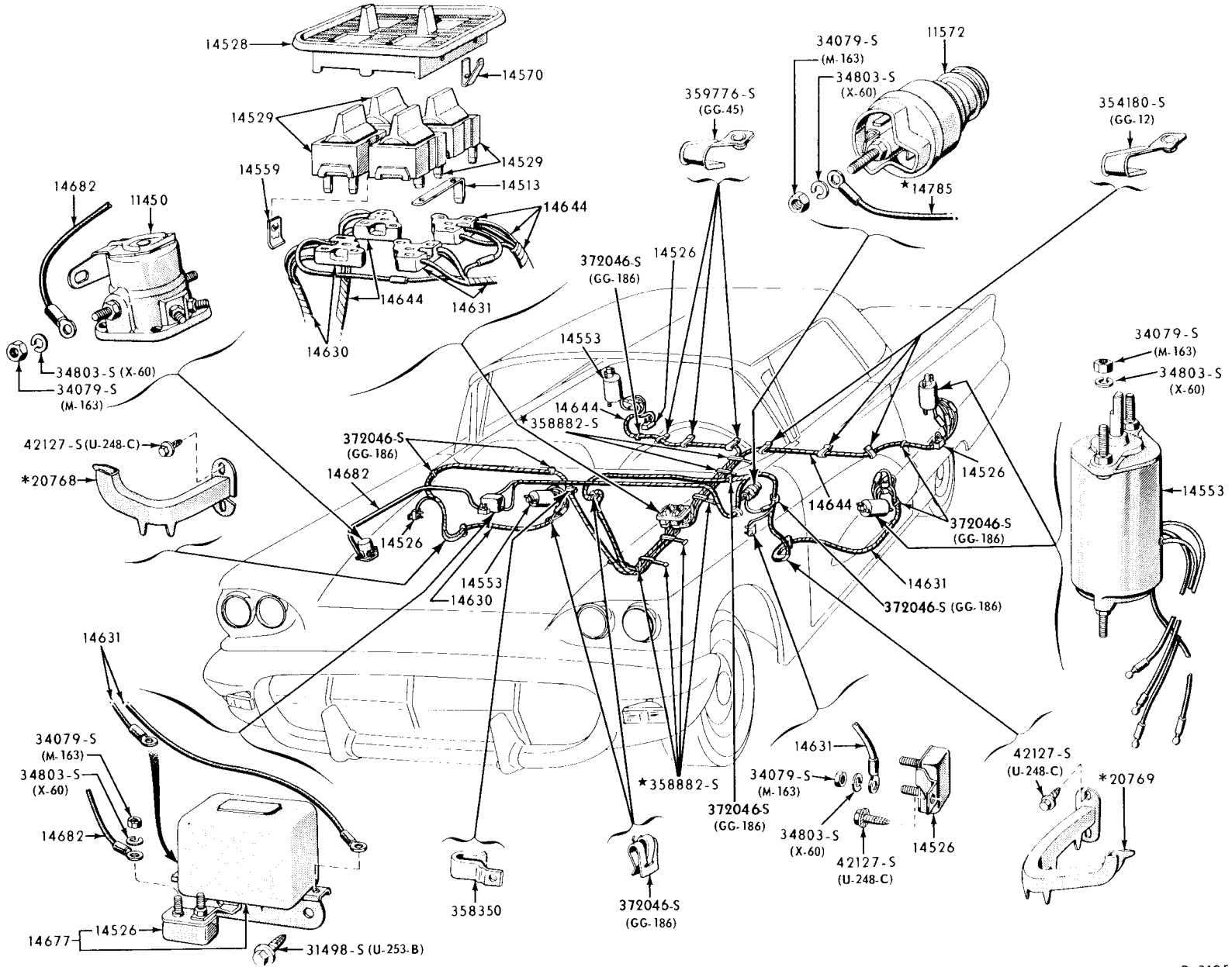


* REFER TO BODY GROUP NUMBER

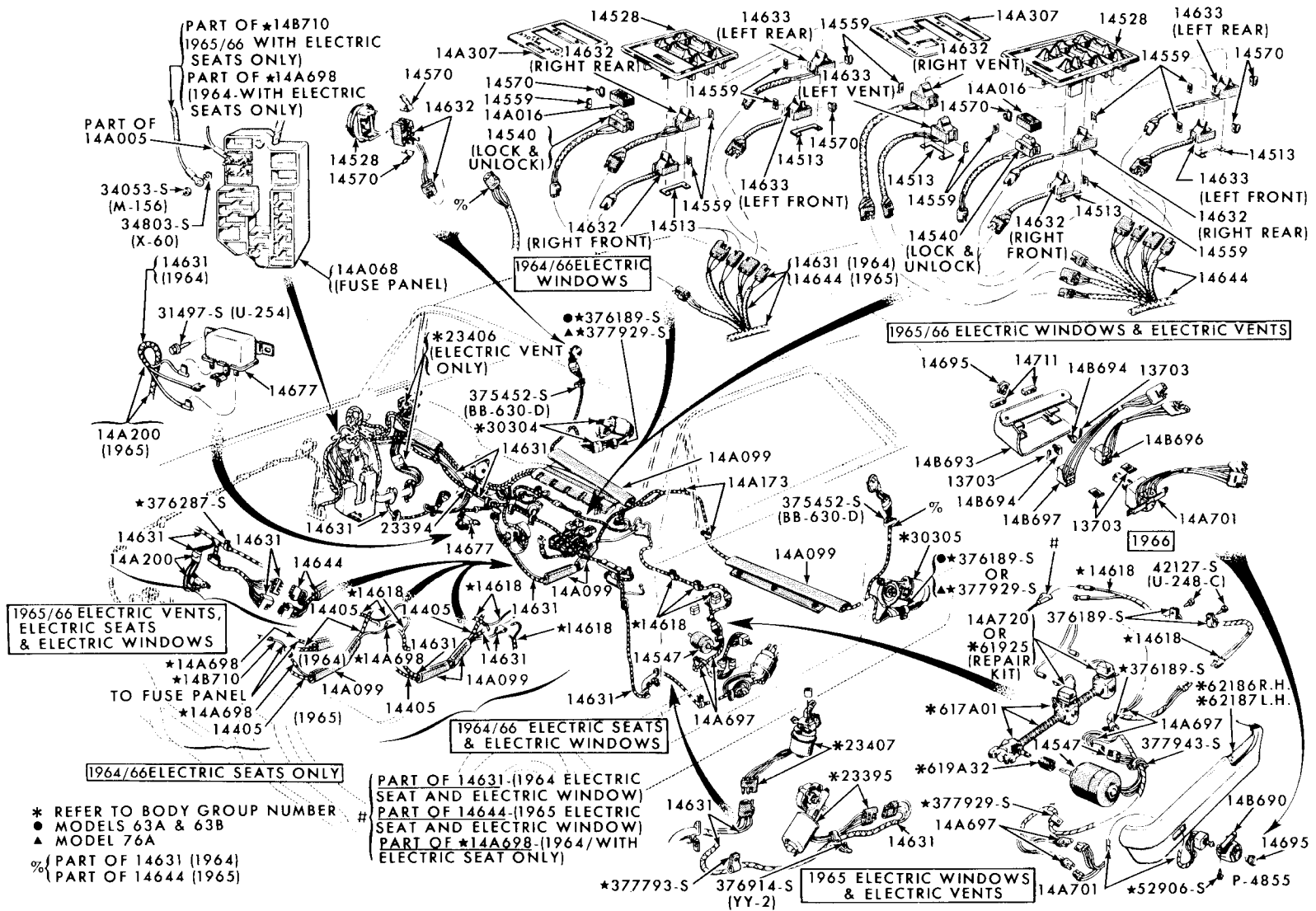
1960 / WIRING SYSTEM - TRANSMISSION OVERDRIVE (FORD, FAIRLANE) - TYPICAL



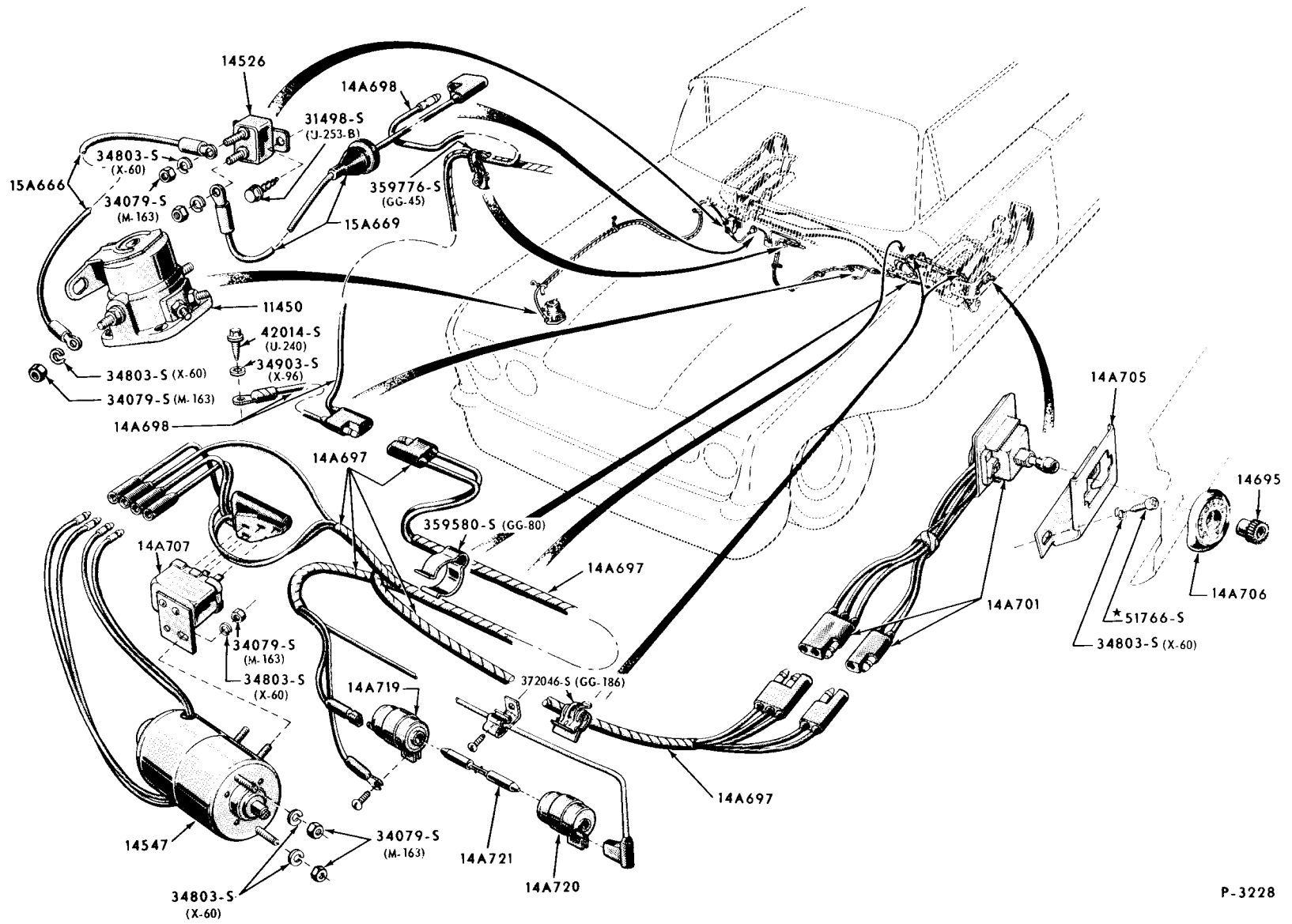
1960 ELECTRICAL WINDOW REGULATOR & RELATED PARTS (THUNDERBIRD)

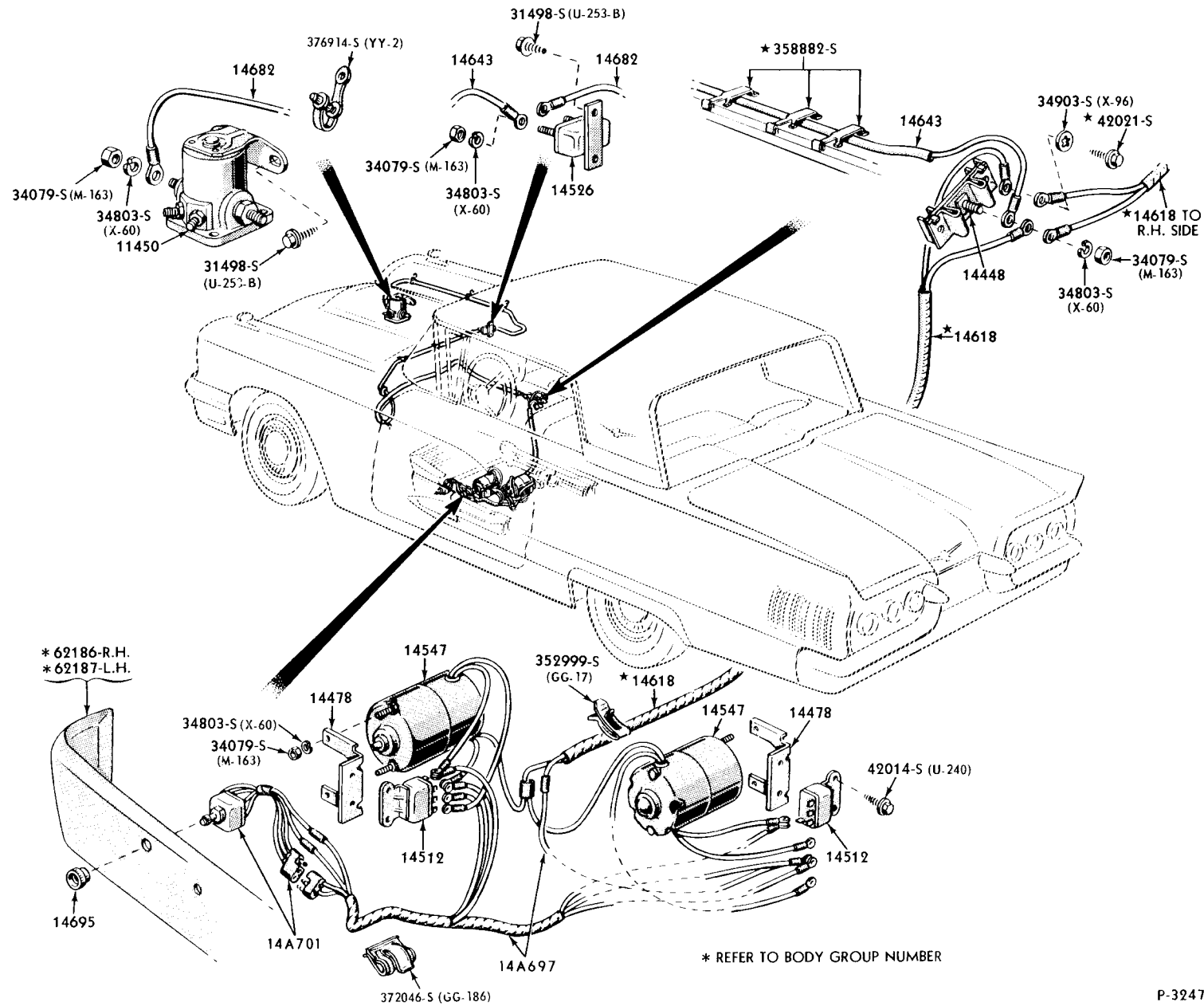


*REFER TO BODY GROUP NUMBER

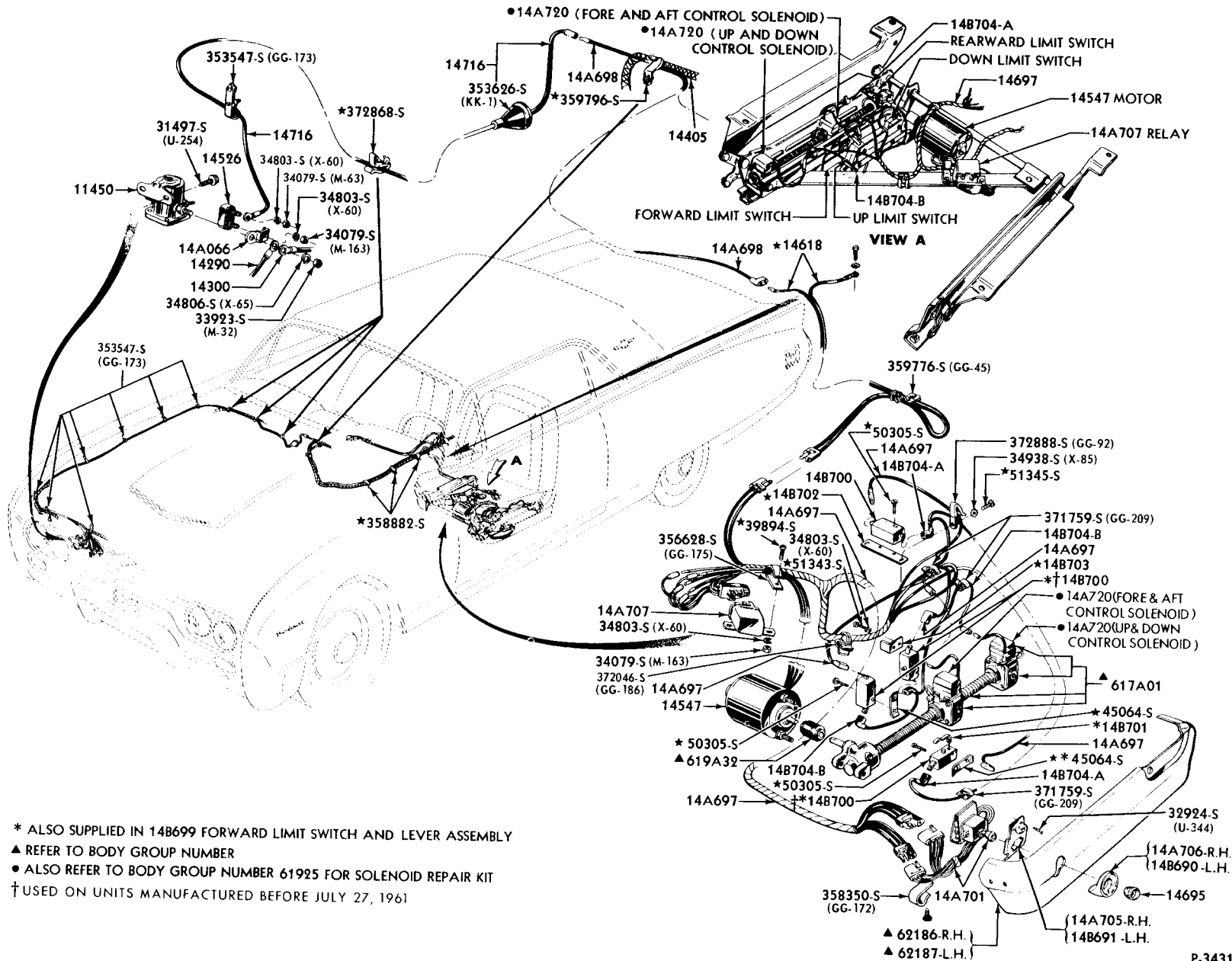


1960/64 ELECTRICAL 4-WAY SEAT REGULATOR & RELATED PARTS (FORD)





1961/62 ELECTRICAL 4-WAY SEAT REGULATOR & RELATED PARTS (THUNDERBIRD)

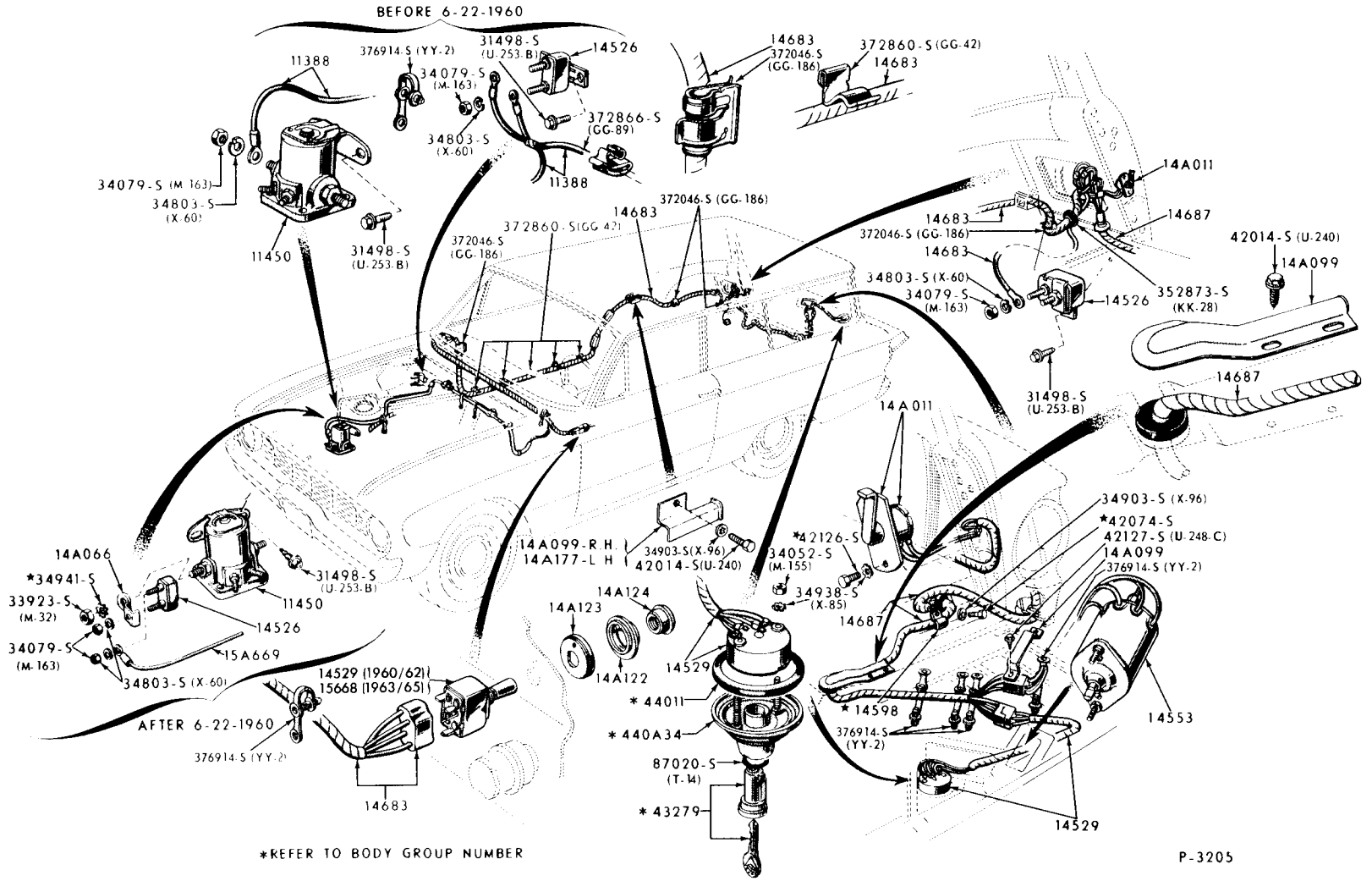


* ALSO SUPPLIED IN 148699 FORWARD LIMIT SWITCH AND LEVER ASSEMBLY

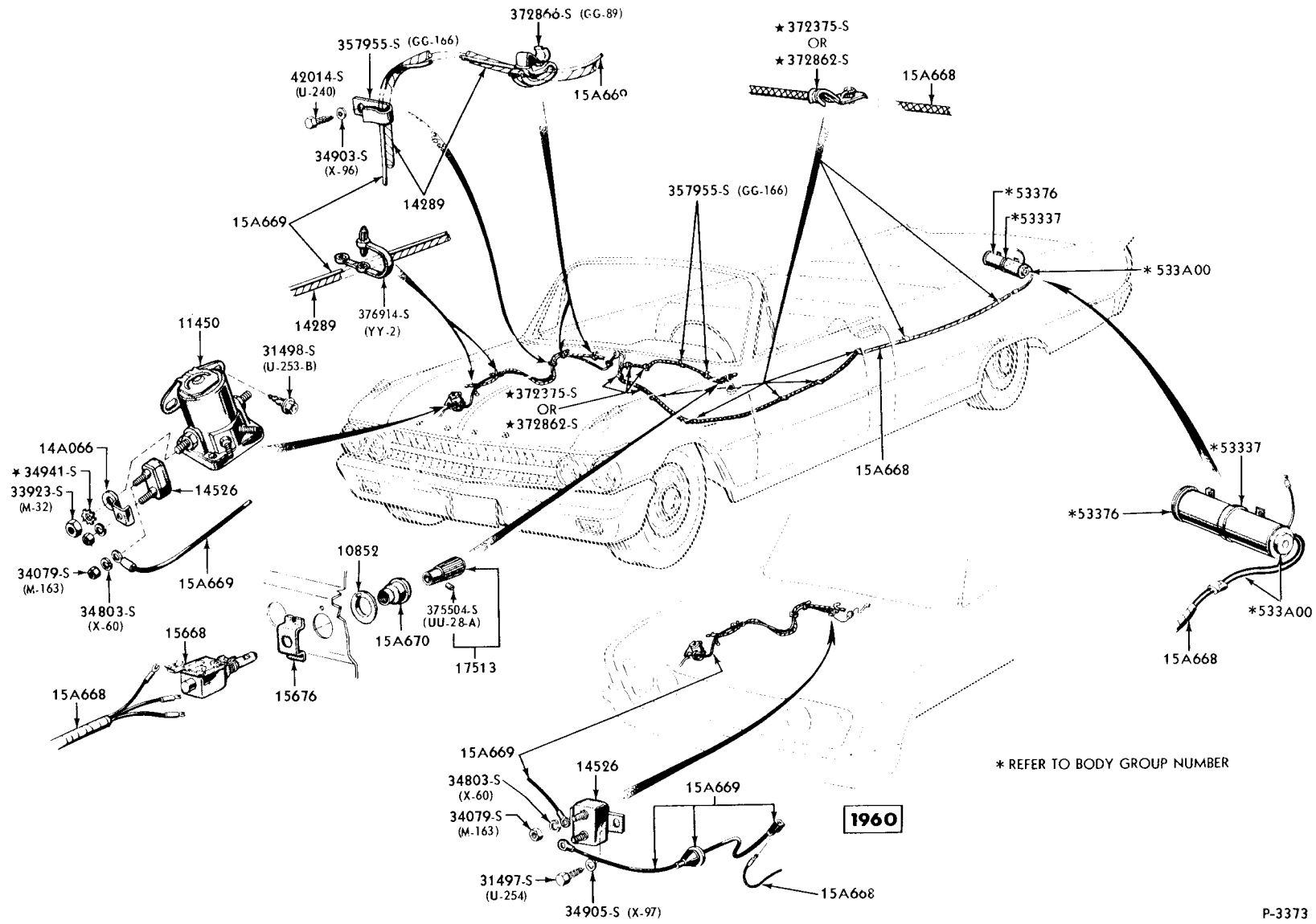
▲ REFER TO BODY GROUP NUMBER

● ALSO REFER TO BODY GROUP NUMBER 61925 FOR SOLENOID REPAIR KIT

† USED ON UNITS MANUFACTURED BEFORE JULY 27, 1961



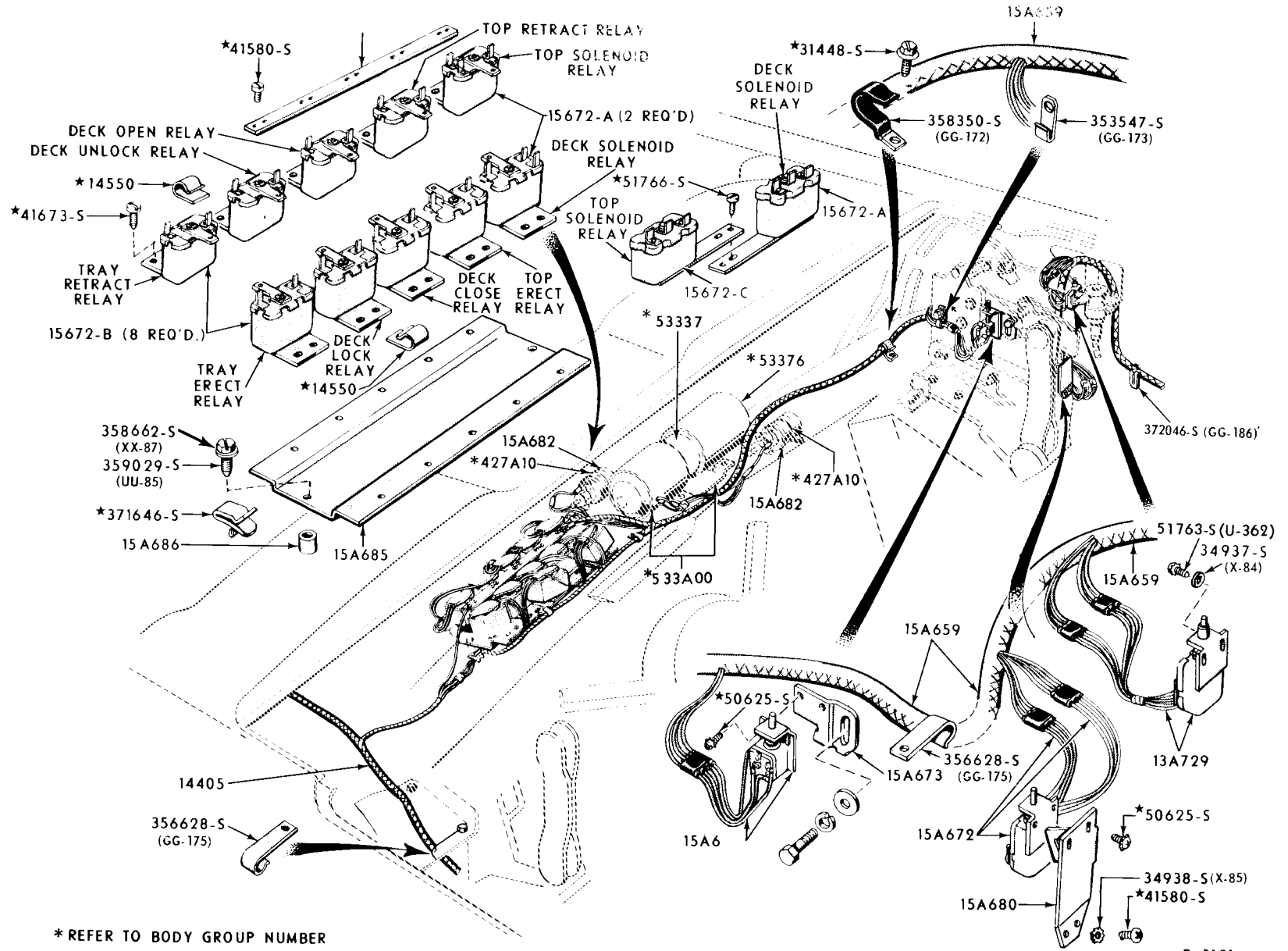
1960/64 CONVERTIBLE TOP ELECTRICAL SYSTEM (FORD)



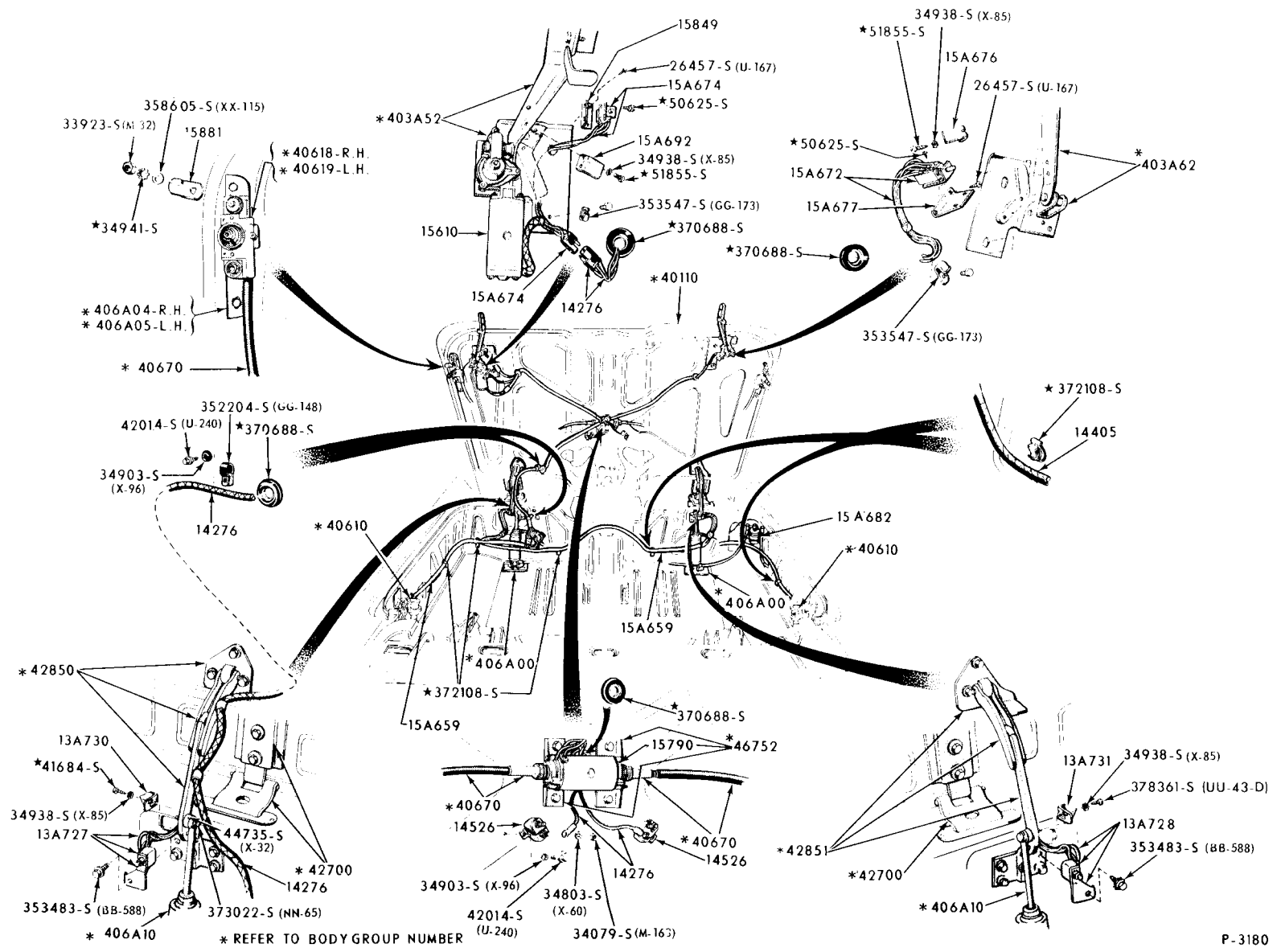
* REFER TO BODY GROUP NUMBER

1960

1960 CONVERTIBLE TOP ELECTRICAL SYSTEM (LUGGAGE COMPARTMENT - FORWARD SECTION) - THUNDERBIRD



* REFER TO BODY GROUP NUMBER

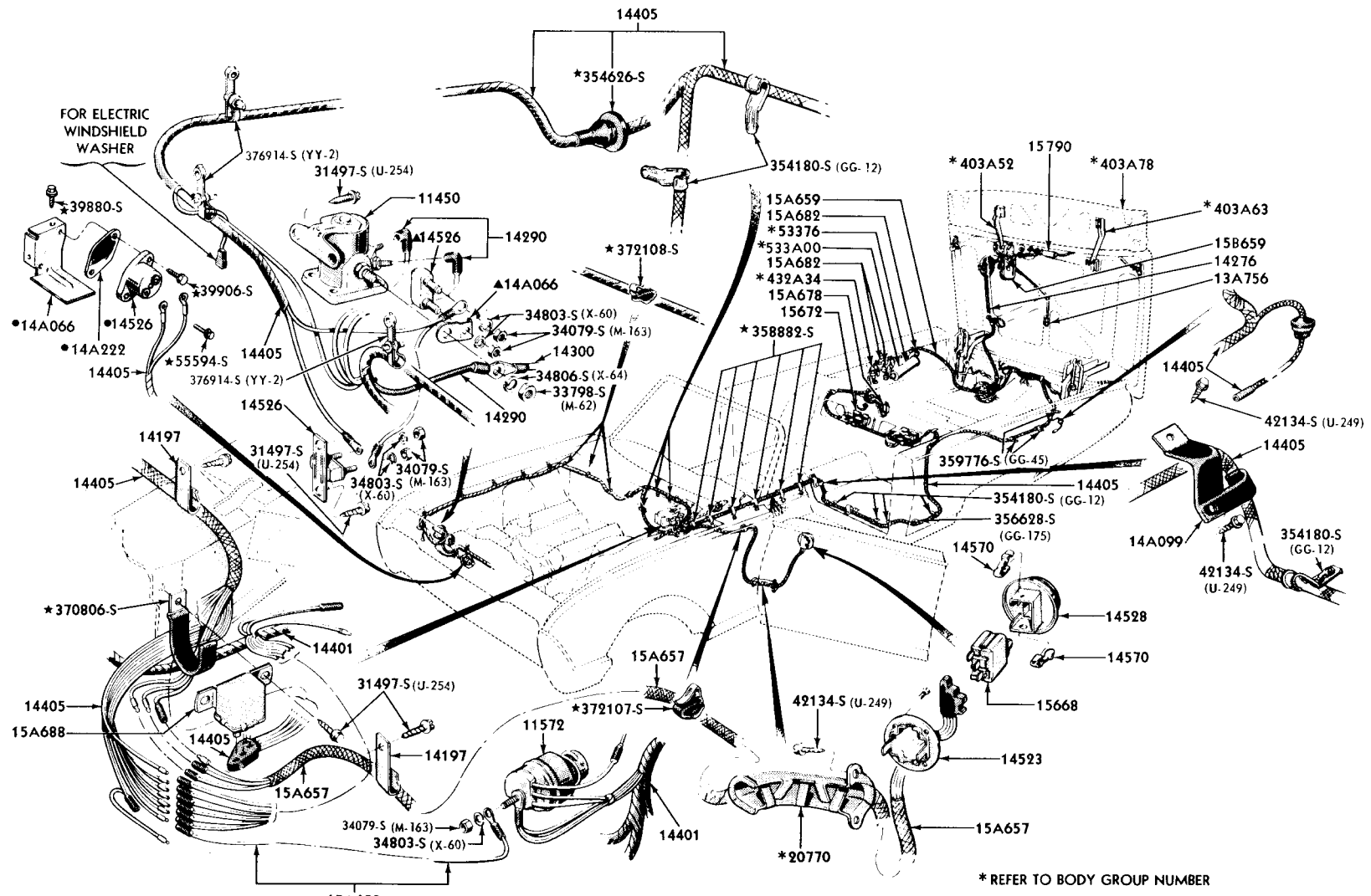


1960 CONVERTIBLE TOP ELECTRICAL SYSTEM
(LUGGAGE COMPARTMENT DOOR & REAR SECTION)-THUNDERBIRD

* REFER TO BODY GROUP NUMBER

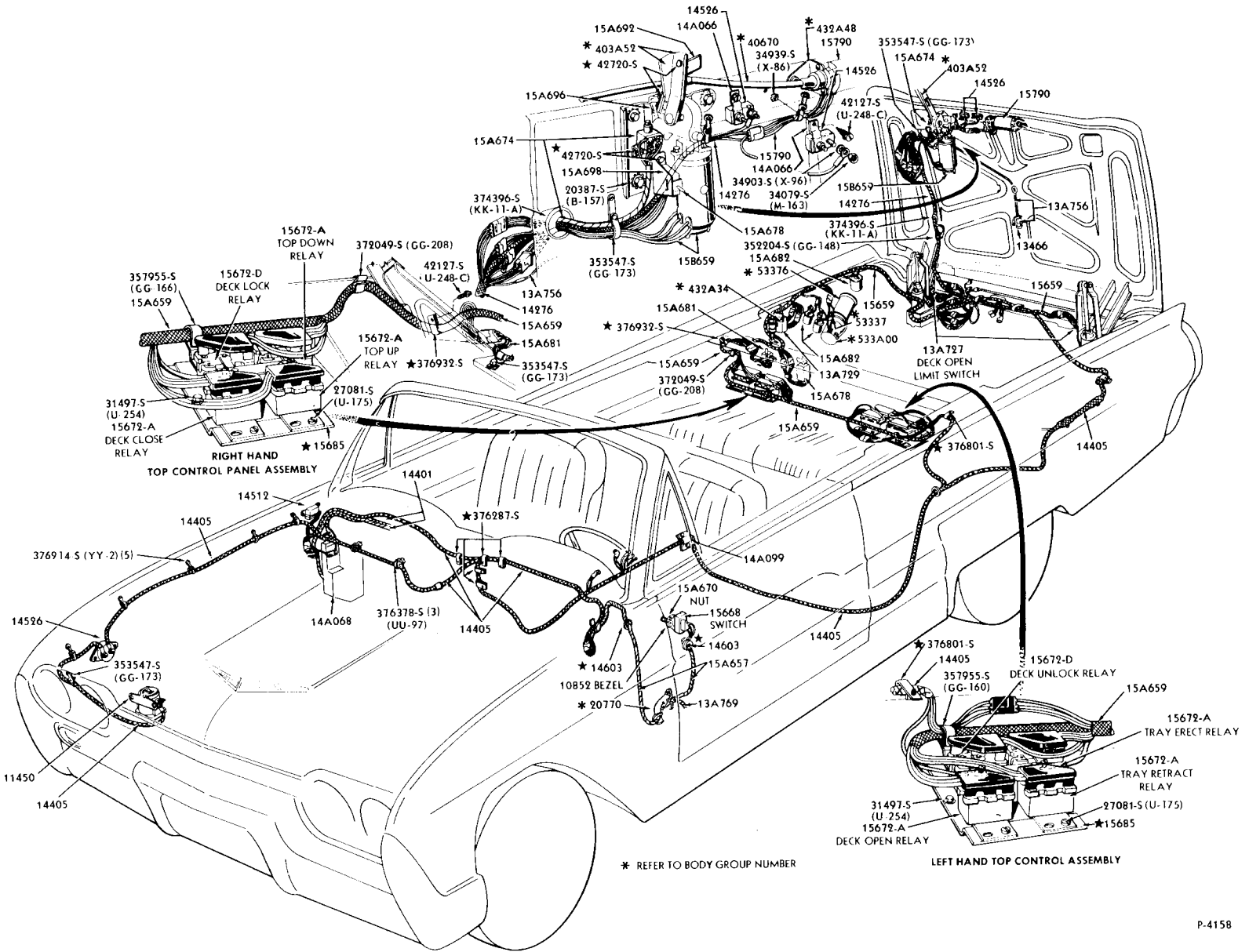
P-3180

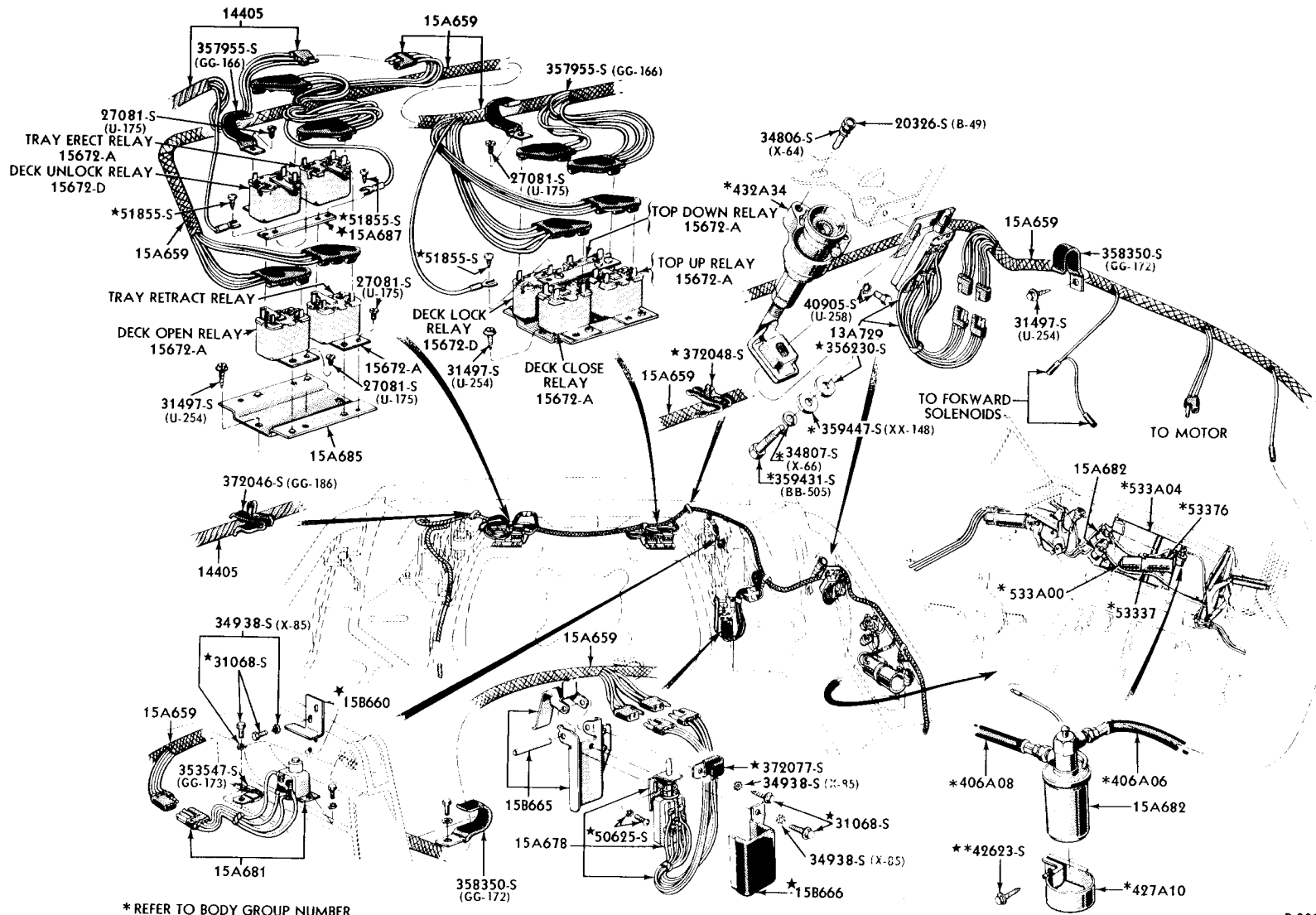
1961/63 CONVERTIBLE TOP ELECTRICAL SYSTEM (COMPOSITE)-THUNDERBIRD

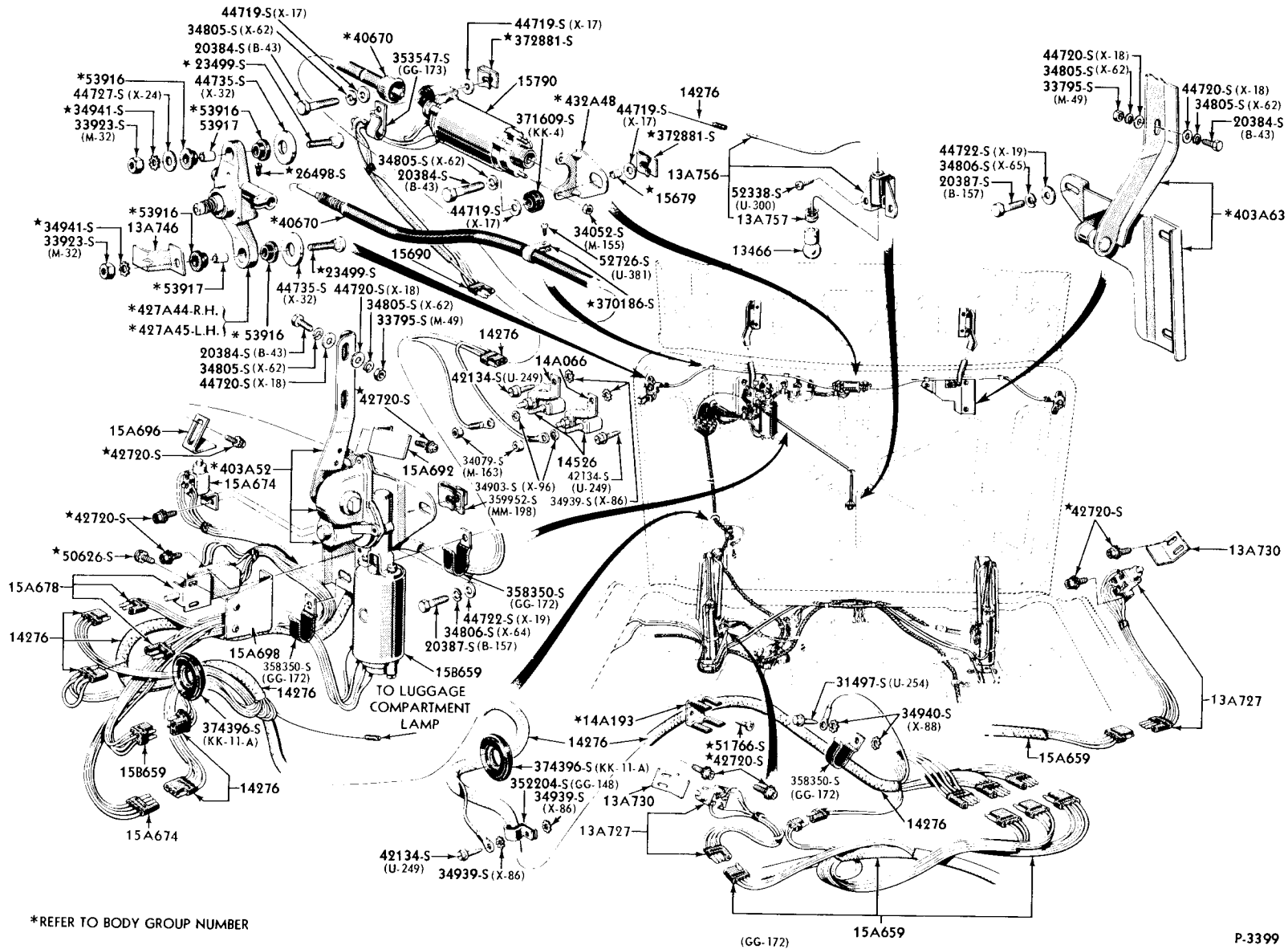


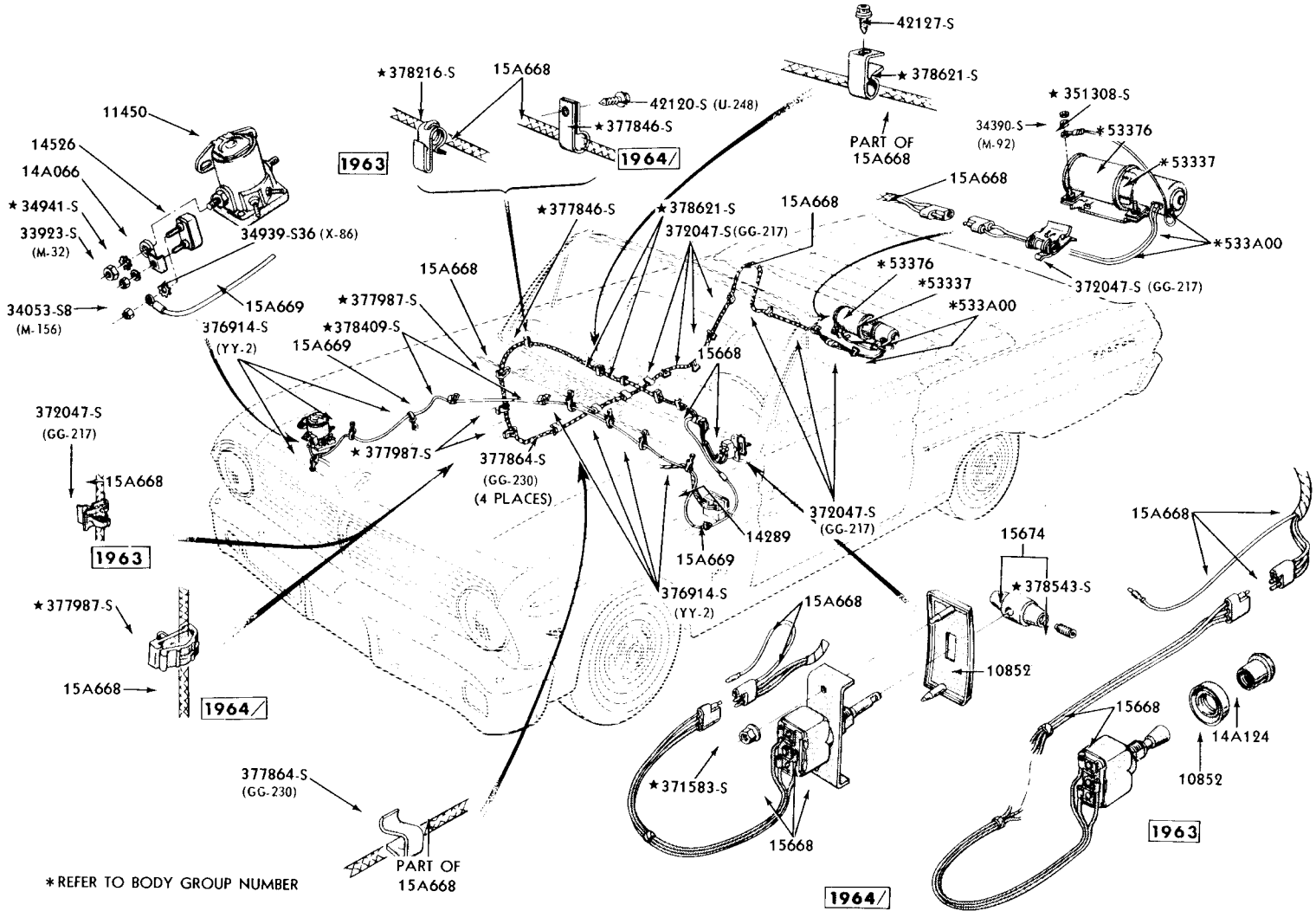
NOTE: WHEN NECESSARY TO REPLACE ITEMS (▲) USE PARTS (●)

* REFER TO BODY GROUP NUMBER

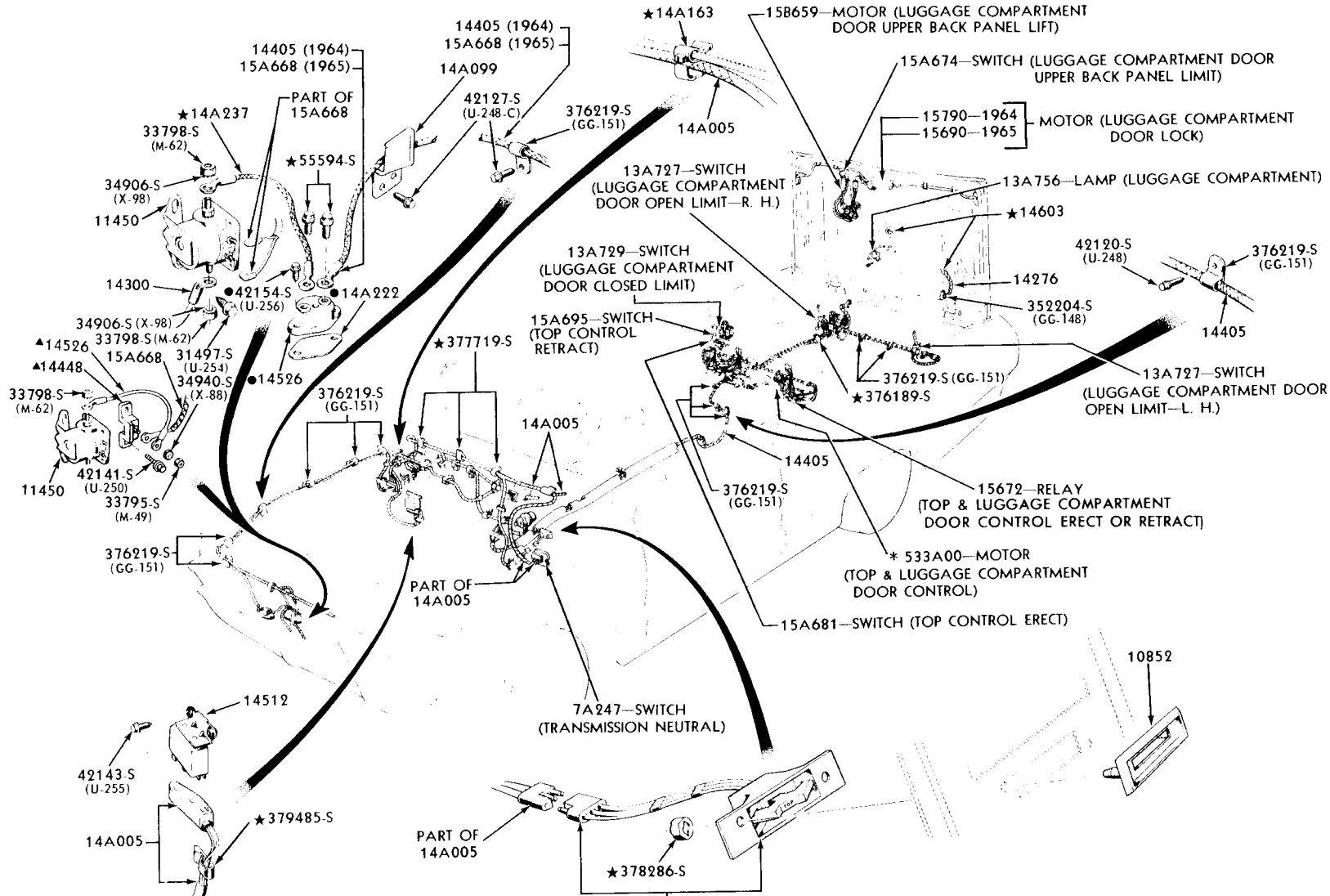




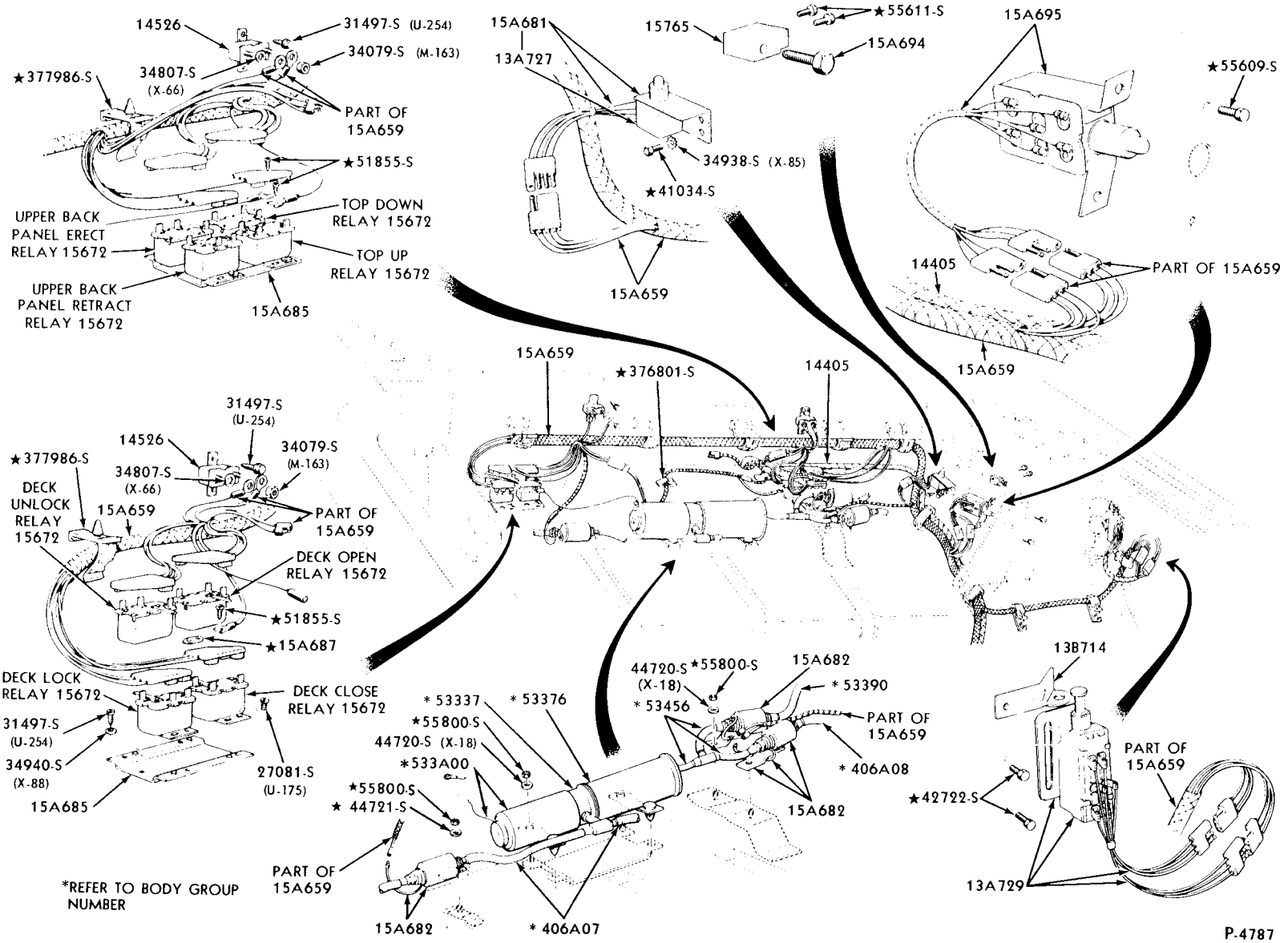




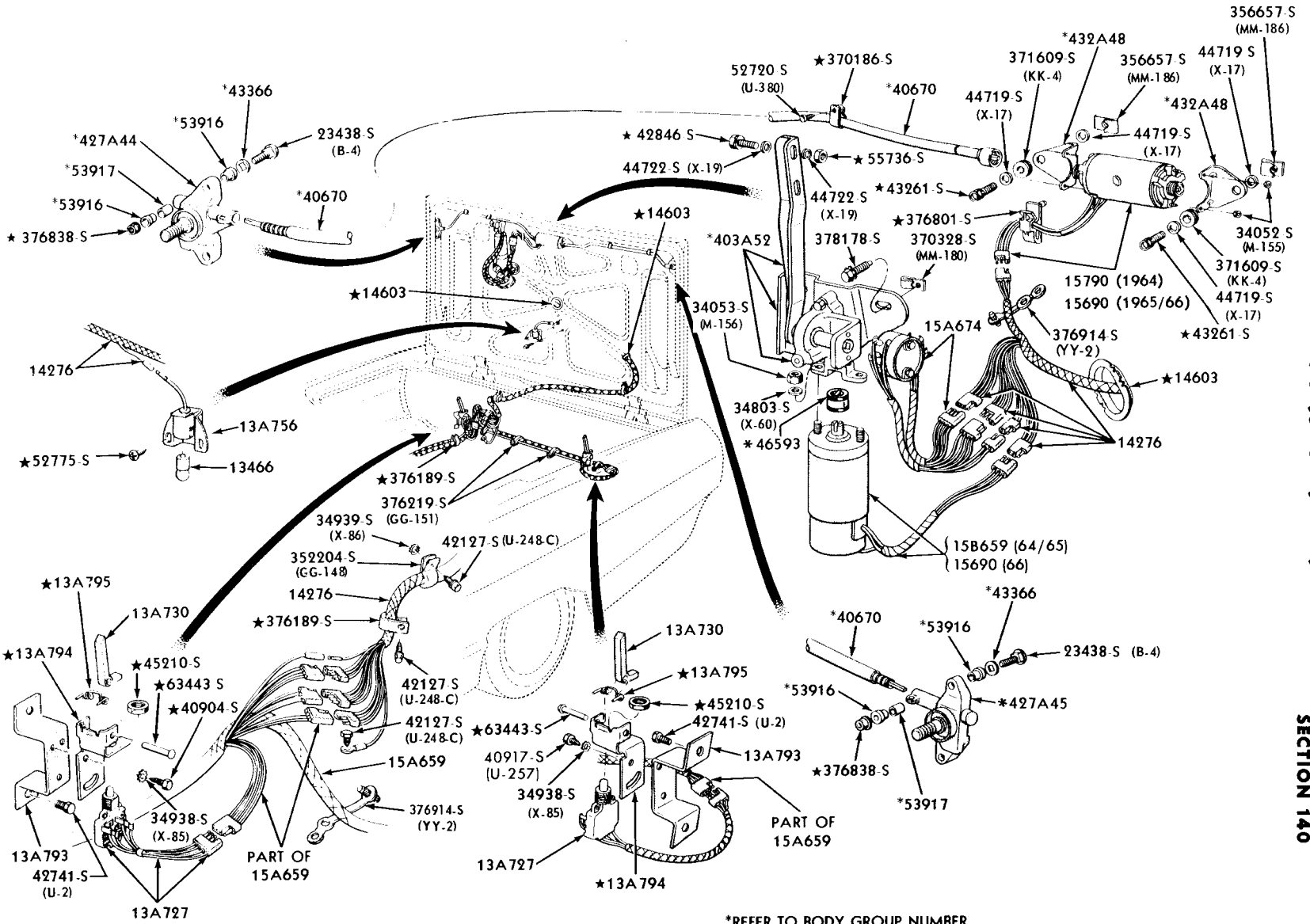
1963 / CONVERTIBLE TOP ELECTRICAL SYSTEM (FALCON)



* REFER TO BODY GROUP NUMBER
 ● BEFORE 3/1/65
 ▲ FROM 3/1/65

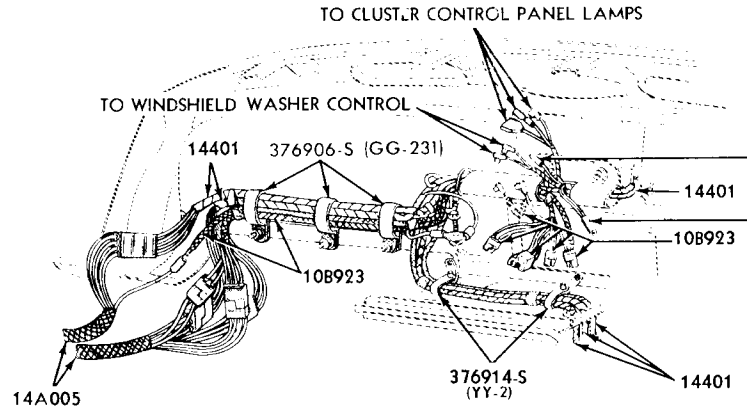


*REFER TO BODY GROUP NUMBER

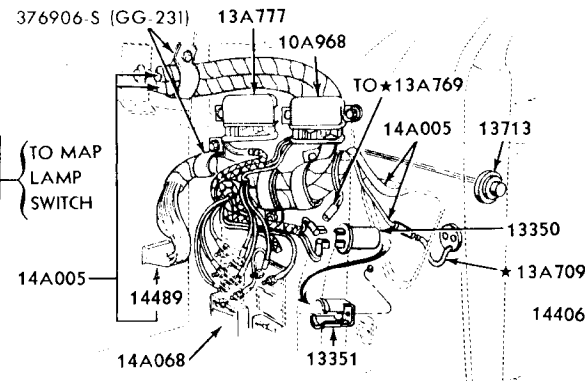


*REFER TO BODY GROUP NUMBER

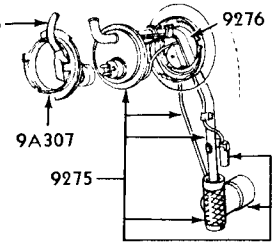
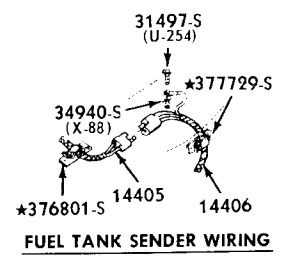
1964 DOOR AJAR, LOW FUEL, FLASHER & EMERGENCY WARNING WIRING SYSTEM (THUNDERBIRD)



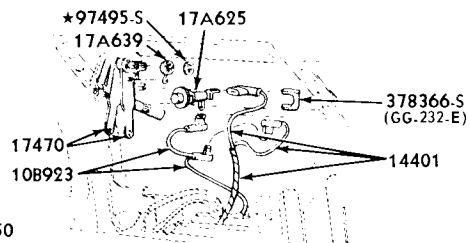
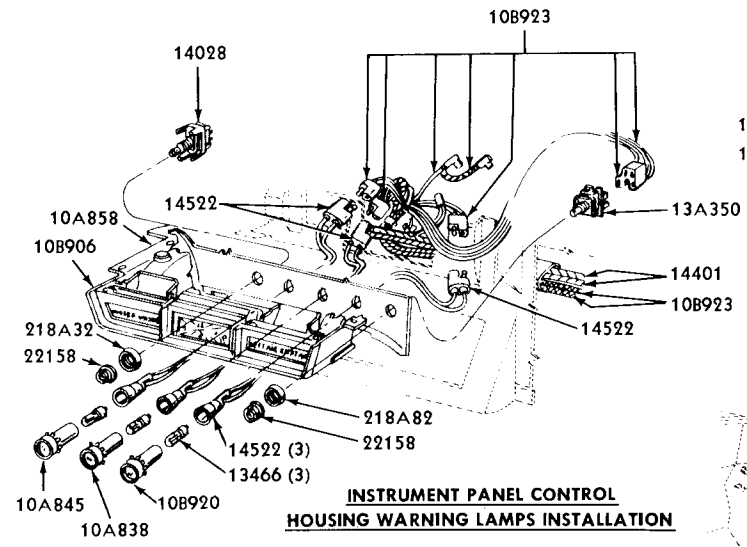
INSTRUMENT PANEL WIRING



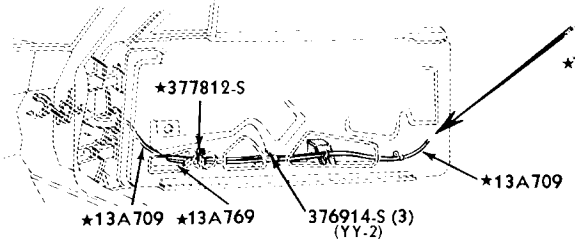
R.H. COWL SIDE PANEL WIRING & FLASHER INSTALLATION



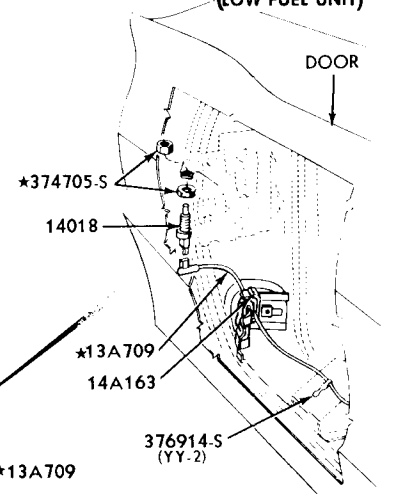
FUEL TANK SENDER (LOW FUEL UNIT)



WINDSHIELD WASHER CONTROL SWITCH INSTALLATION



DOOR WIRING



DOOR AJAR WIRING LAMP CONTROL SWITCH INSTALLATION

INDEX

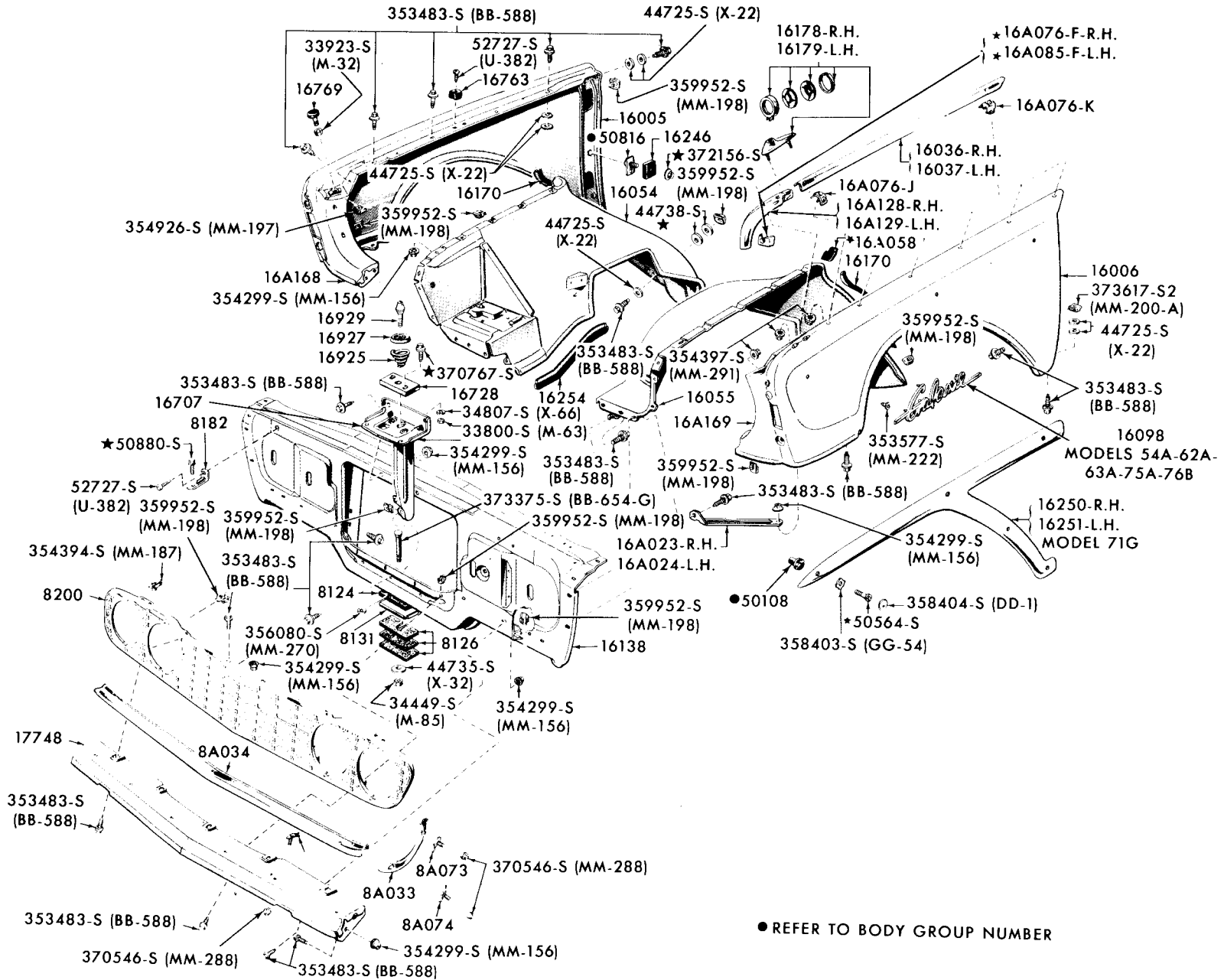
INCLUDED IN THIS INDEX ARE THE FOLLOWING MAJOR GROUPS IN THE ORDER SHOWN BELOW:

FENDERS and RELATED PARTS
FENDER MOULDINGS and NAME PLATES

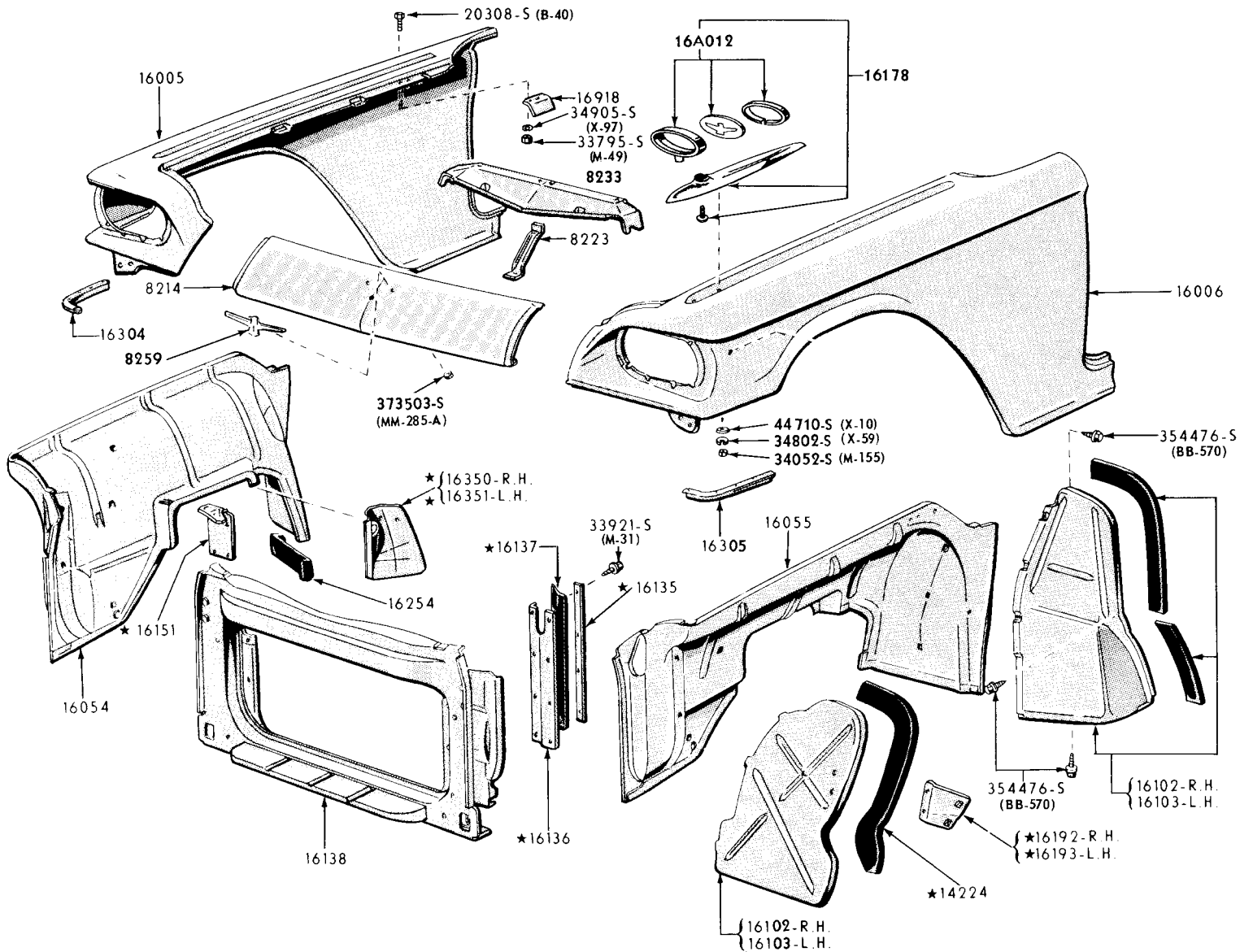
FRONT END PARTS
HOODS

YEAR	TITLE	ILLUS. NO.	SECTION	PAGE
FENDERS and RELATED PARTS				
1960	Fenders and Related Parts (Thunderbird)	P-2794	160	475
1961/63	Fenders and Related Parts (Thunderbird)	P-3251	160	481
1964/	Fenders and Related Parts (Thunderbird)	P-4246	160	493
1960	Fenders, Radiator Grille and Related Parts (Ford)	P-2952	160	474
1961/62	Fenders, Radiator Grille and Related Parts (Ford)	P-3220	160	478
1963	Fenders, Radiator Grille and Related Parts (Ford)	P-3934	160	485
1964	Fenders, Radiator Grille and Related Parts (Ford)	P-4221	160	489
1962	Fenders, Radiator Grille and Related Parts (Fairlane)	P-3720	160	483
1963/64	Fenders, Radiator Grille and Related Parts (Fairlane)	P-3926	160	487
1960	Fenders, Radiator Grille and Related Parts (Falcon)	P-3105	160	476
1961	Fenders, Radiator Grille and Related Parts (Falcon)	P-3283	160	480
1962/63	Fenders, Radiator Grille and Related Parts (Falcon)	P-3648	160	484
1964/	Fenders, Radiator Grille and Related Parts (Falcon)	P-4206	160	492
FENDER MOULDINGS AND NAME PLATES				
1960	Fender Mouldings and Name plates (Ford)	P-2552	160	474
1961	Fender Mouldings and Name Plates (Ford)	P-3244	160	477
1962	Fender Mouldings and Name Plates (Ford)	P-3633	160	479
1963	Fender Mouldings and Name Plates (Ford)	P-4069	160	486
1964	Fender Mouldings and Name Plates (Ford)	P-4431	160	490
1962	Fender Mouldings and Name Plates (Fairlane)	P-3720	160	483
1963	Fender Mouldings and Name Plates (Fairlane)	P-4077	160	488
1964	Fender Mouldings and Name Plates (Fairlane)	P-4433	160	488
1960	Fender Mouldings and Name Plates (Falcon)	P-3105	160	476
1961	Fender Mouldings and Name Plates (Falcon)	P-3283	160	480
1962/63	Fender Mouldings and Name Plates (Falcon)	P-3648	160	484
1964	Fender Mouldings and Name Plates (Falcon)	P-4434	160	491
FRONT END PARTS				
1961/63	Front End Parts (Thunderbird)	P-3250	160	482
1964/	Front End Parts (Thunderbird)	P-4247	160	494
HOODS				
1960	Hood and Related Parts (Ford)	P-2953	166	496
1961	Hood and Related Parts (Ford)	P-3224	166	497
1962	Hood and Related Parts (Ford)	P-3725	166	498
1963/64	Hood and Related Parts (Ford)	P-3938	166	498
1962	Hood and Related Parts (Fairlane)	P-3722	166	499
1963/64	Hood and Related Parts (Fairlane)	P-3915	166	500
1960/61	Hood and Related Parts (Falcon)	P-3107	166	496
1962/63	Hood and Related Parts (Falcon)	P-3649	166	499
1964/	Hood and Related Parts (Falcon)	P-4255	166	501
1960	Hood and Related Parts (Thunderbird)	P-2652	166	495
1961/63	Hood and Related Parts (Thunderbird)	P-3252	166	497
1964/	Hood and Related Parts (Thunderbird)	P-4222	166	501

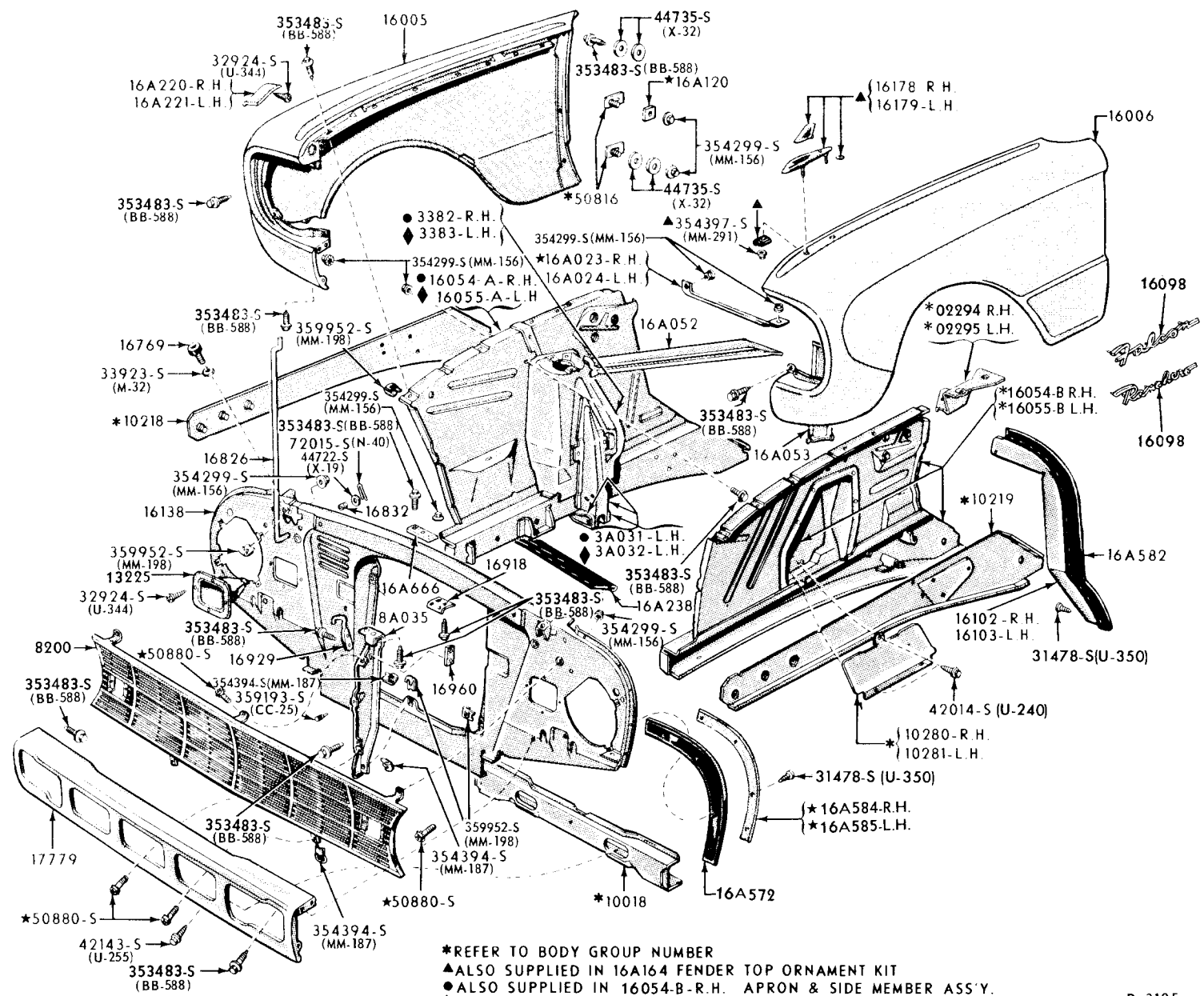
1960 FENDERS, MOULDINGS, RADIATOR GRILLE & RELATED PARTS (FORD)



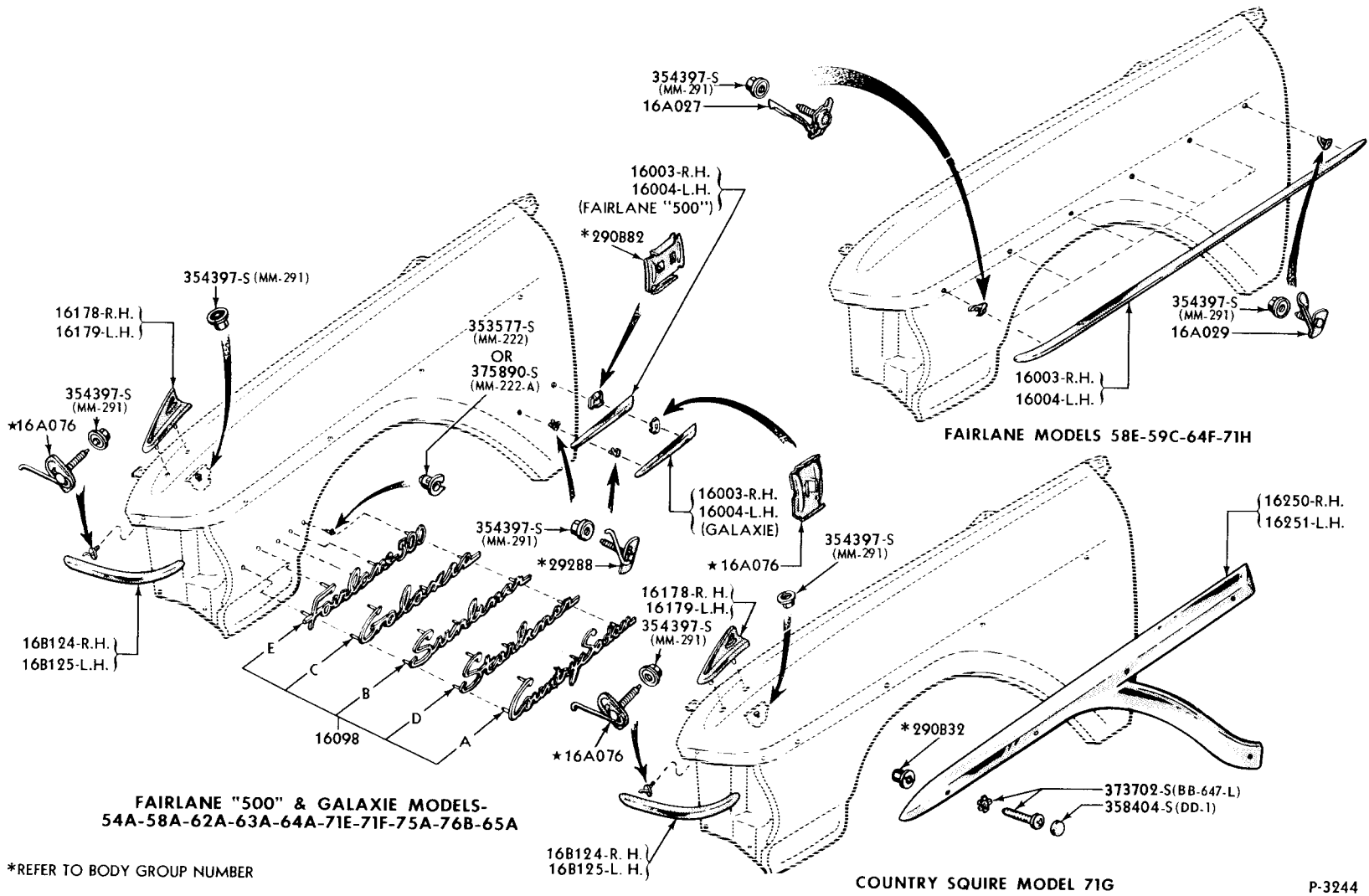
● REFER TO BODY GROUP NUMBER



1960 FENDERS, NAME PLATES, RADIATOR GRILLE & RELATED PARTS (FALCON)



*REFER TO BODY GROUP NUMBER
 ▲ALSO SUPPLIED IN 16A164 FENDER TOP ORNAMENT KIT
 ●ALSO SUPPLIED IN 16054-B-R.H. APRON & SIDE MEMBER ASS'Y.
 ◆ALSO SUPPLIED IN 16055-B-L.H. APRON & SIDE MEMBER ASS'Y.



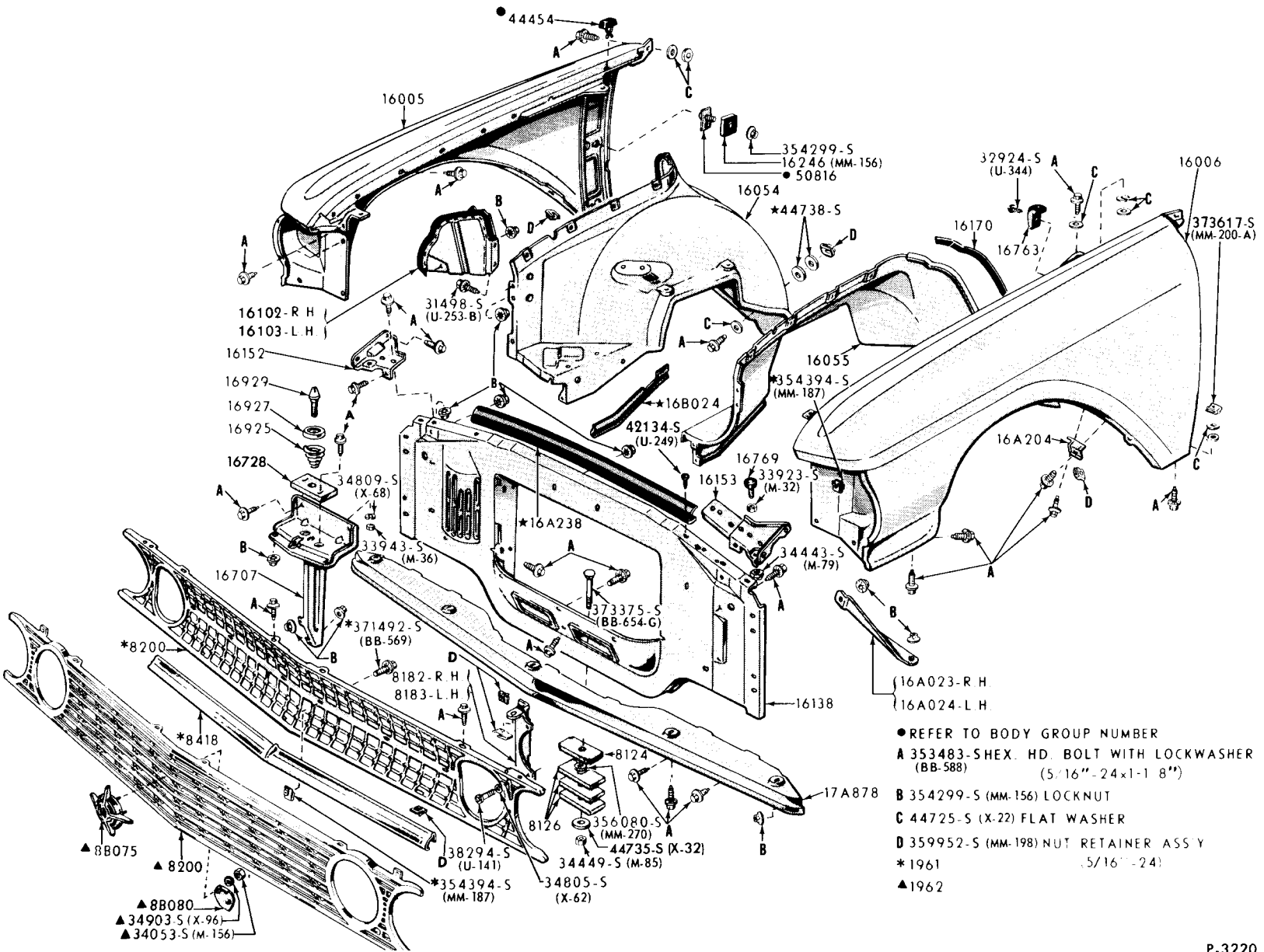
FAIRLANE "500" & GALAXIE MODELS-
54A-58A-62A-63A-64A-71E-71F-75A-76B-65A

FAIRLANE MODELS 58E-59C-64F-71H

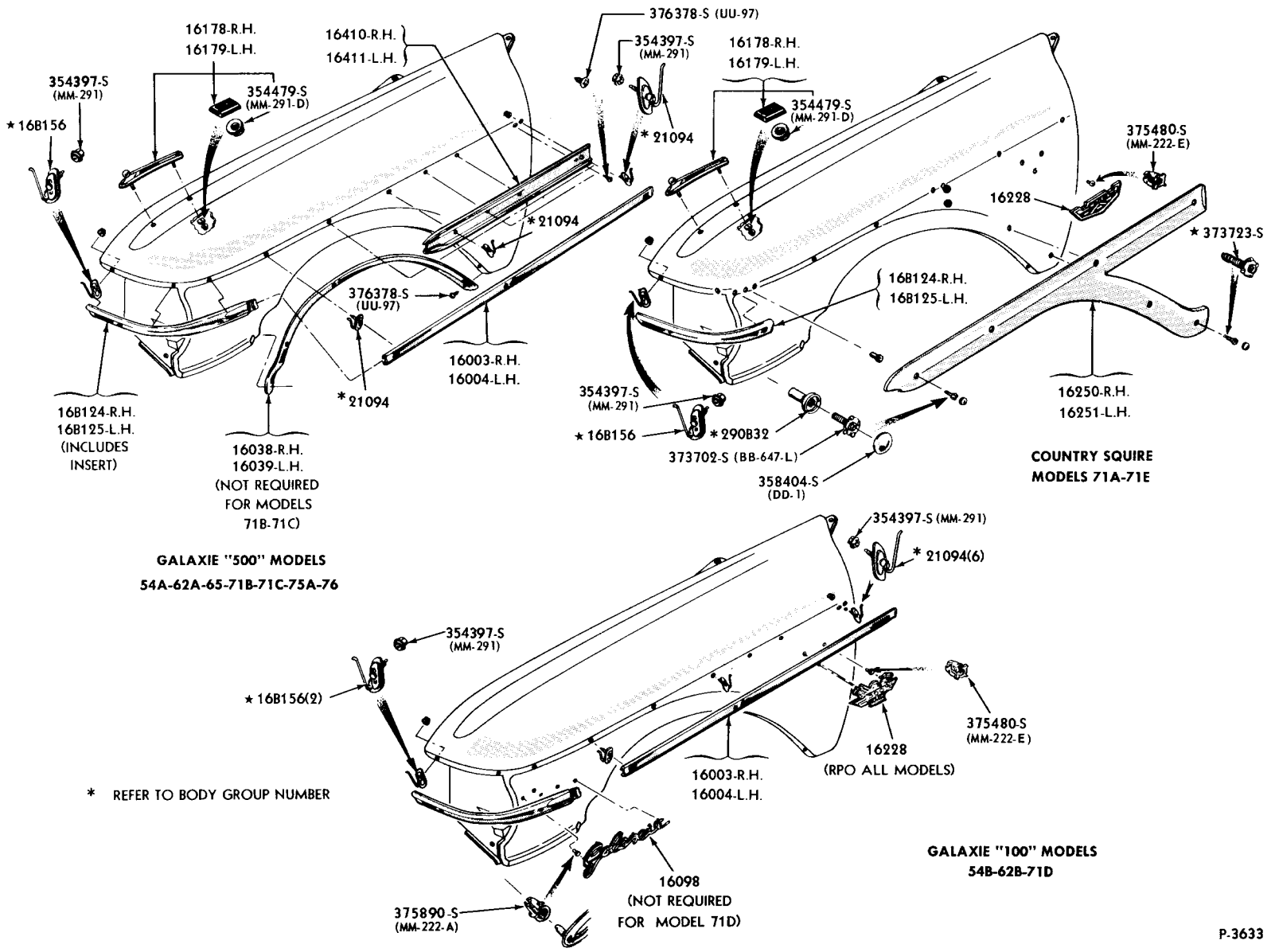
COUNTRY SQUIRE MODEL 71G

*REFER TO BODY GROUP NUMBER

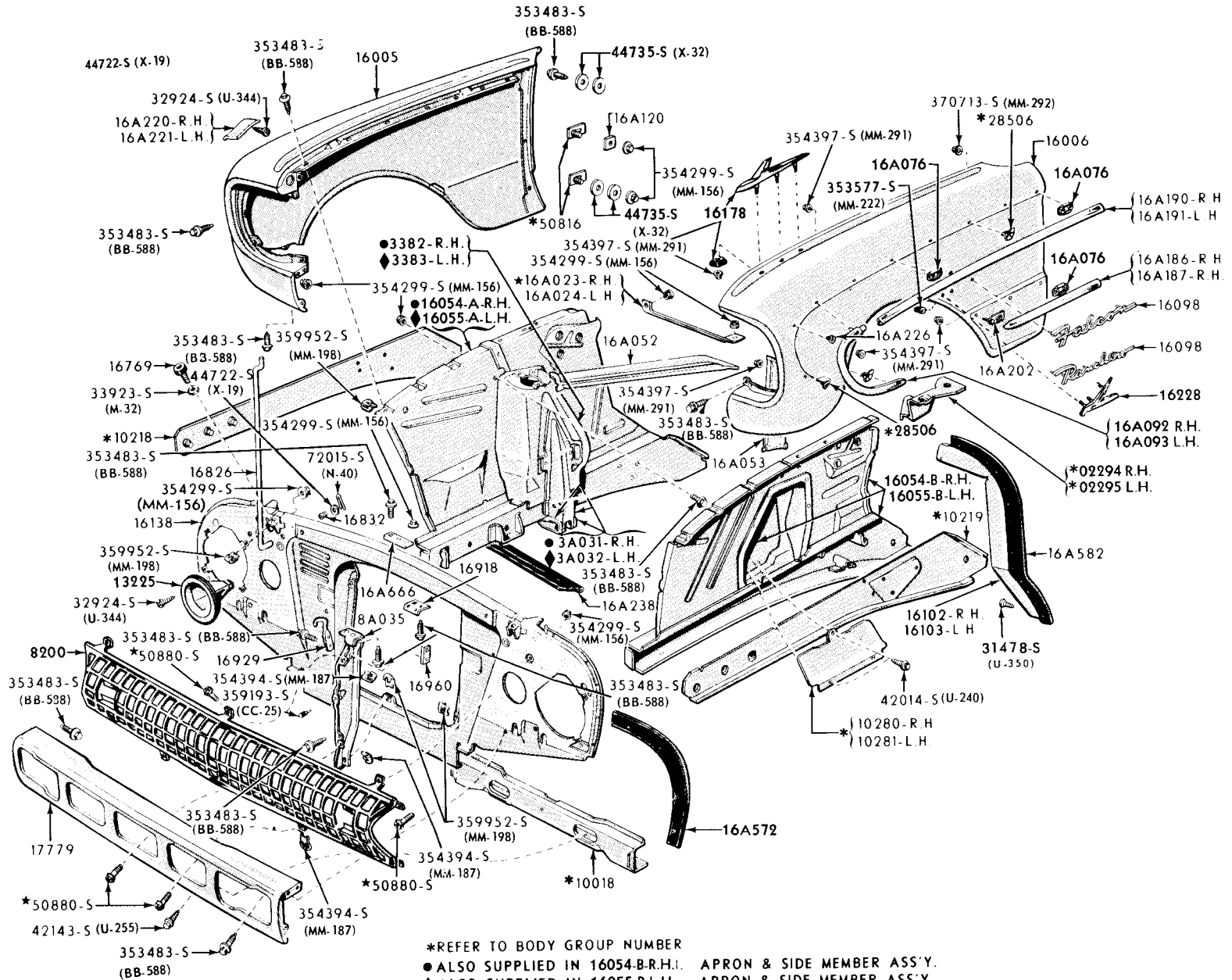
1961/62 FENDERS, RADIATOR GRILLE & RELATED PARTS (FORD)

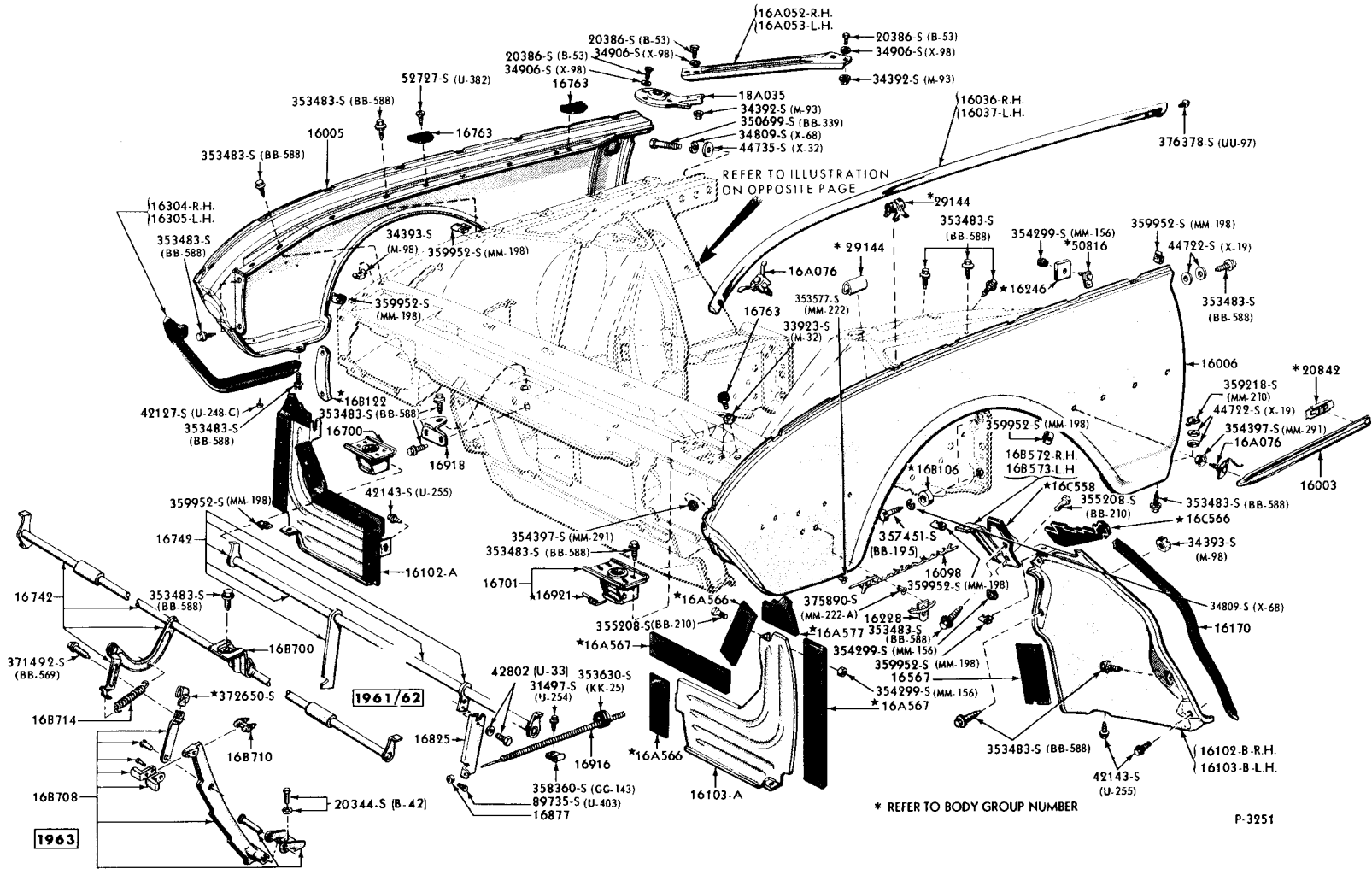


- REFER TO BODY GROUP NUMBER
- A 353483-SHEX. HD. BOLT WITH LOCKWASHER (BB-588) (5/16"-24x1-8")
- B 354299-S (MM-156) LOCKNUT
- C 44725-S (X-22) FLAT WASHER
- D 359952-S (MM-198) NUT RETAINER ASSY (5/16"-24)
- *1961
- ▲1962

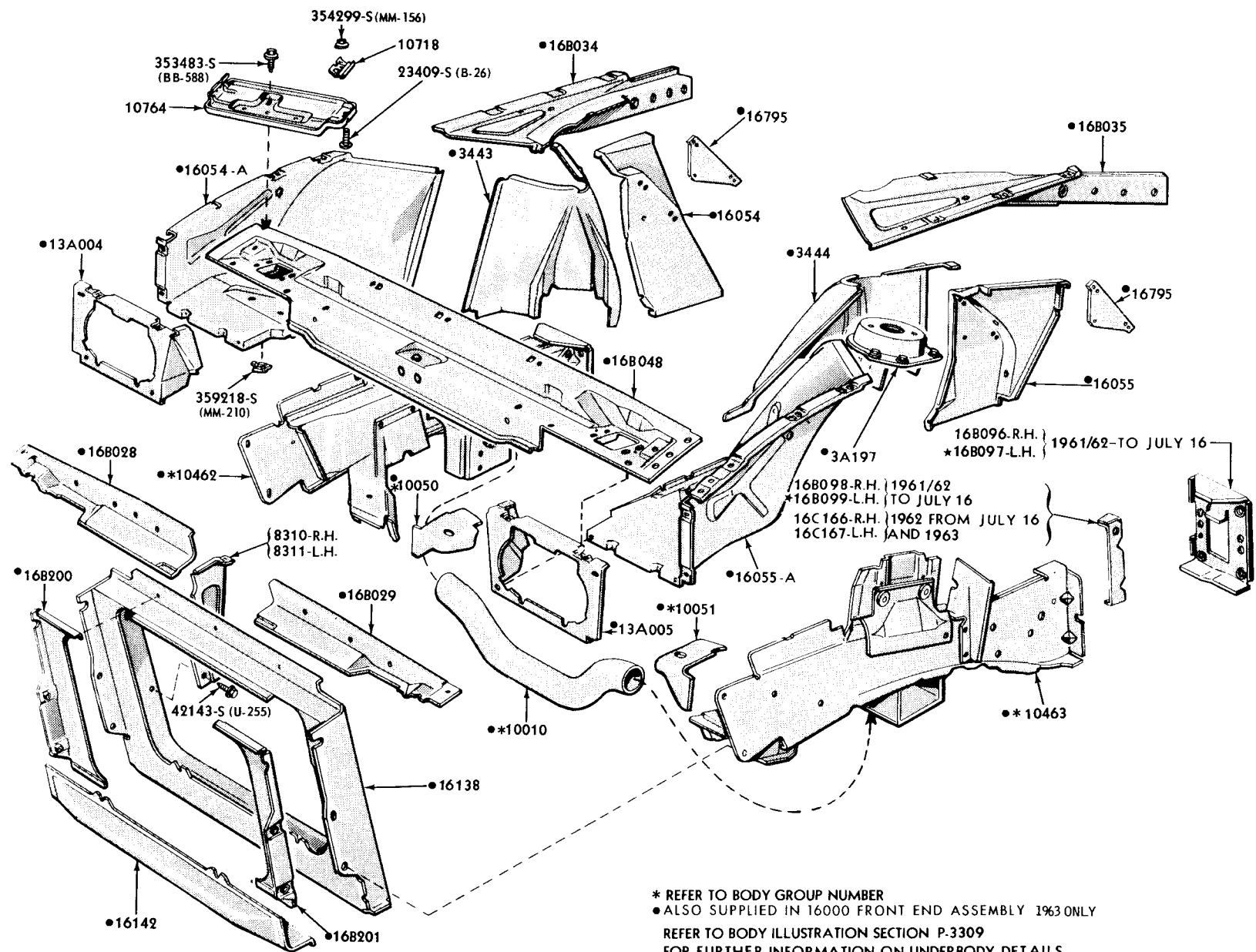


* REFER TO BODY GROUP NUMBER

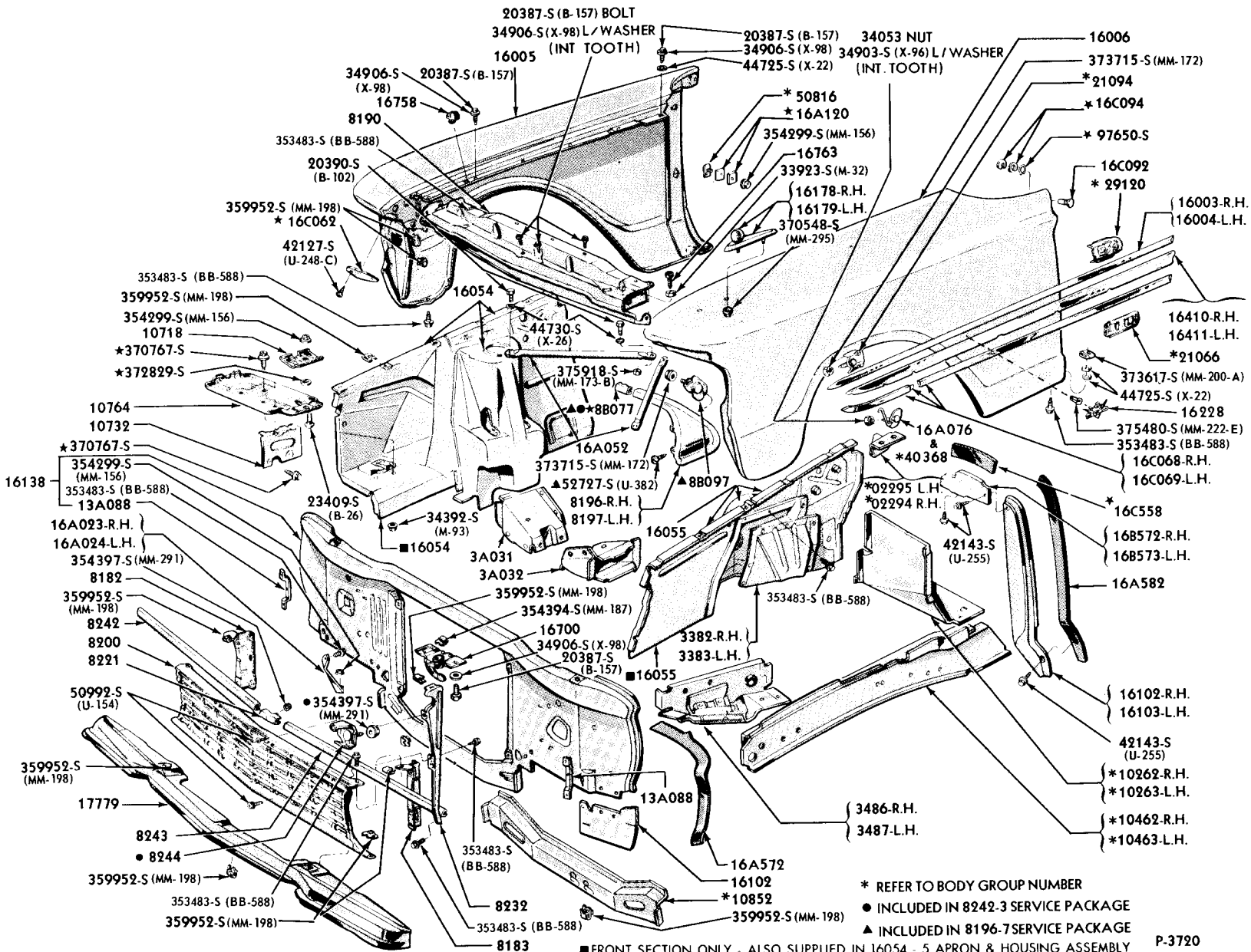




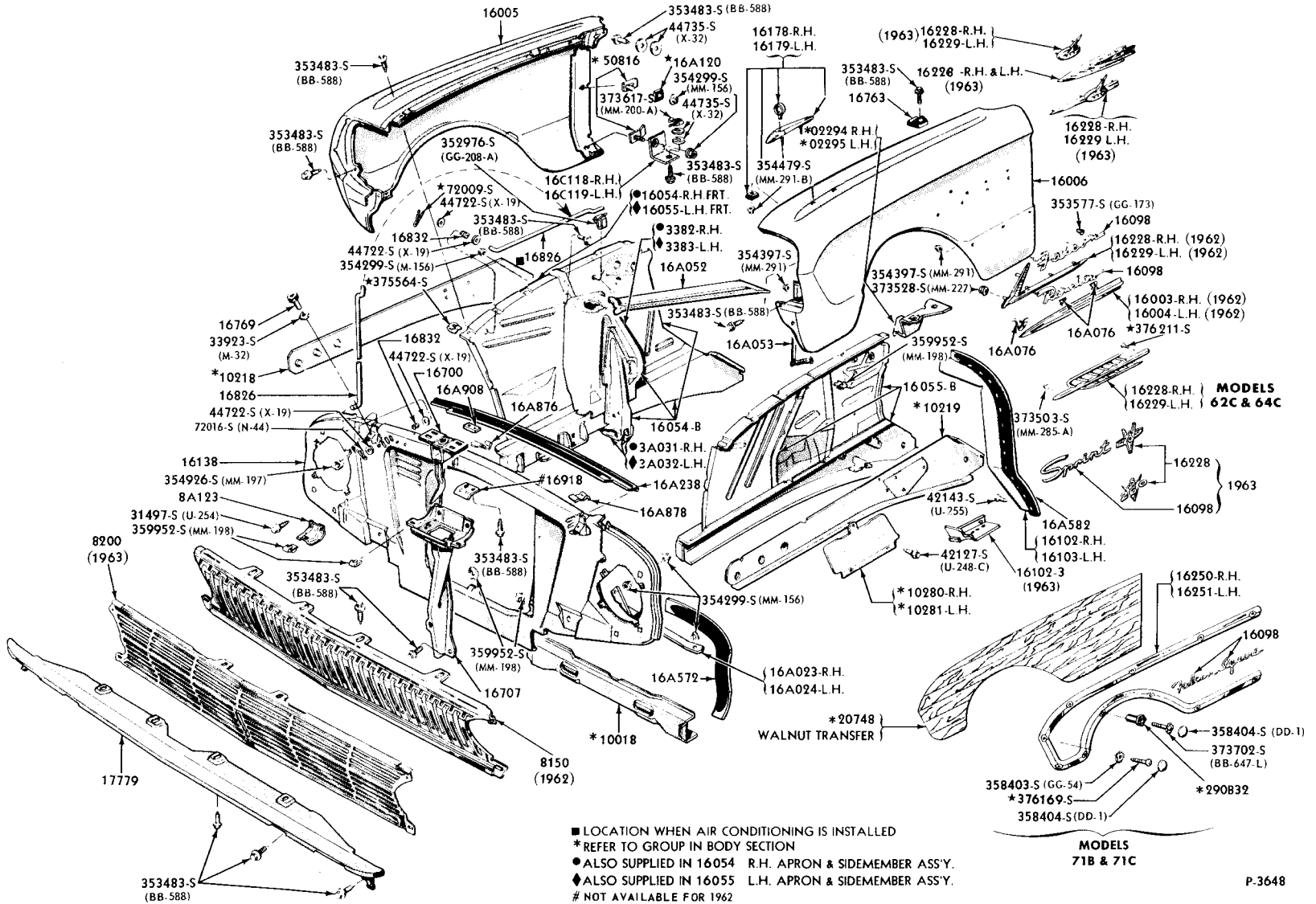
1961/63 FRONT END PARTS (THUNDERBIRD)

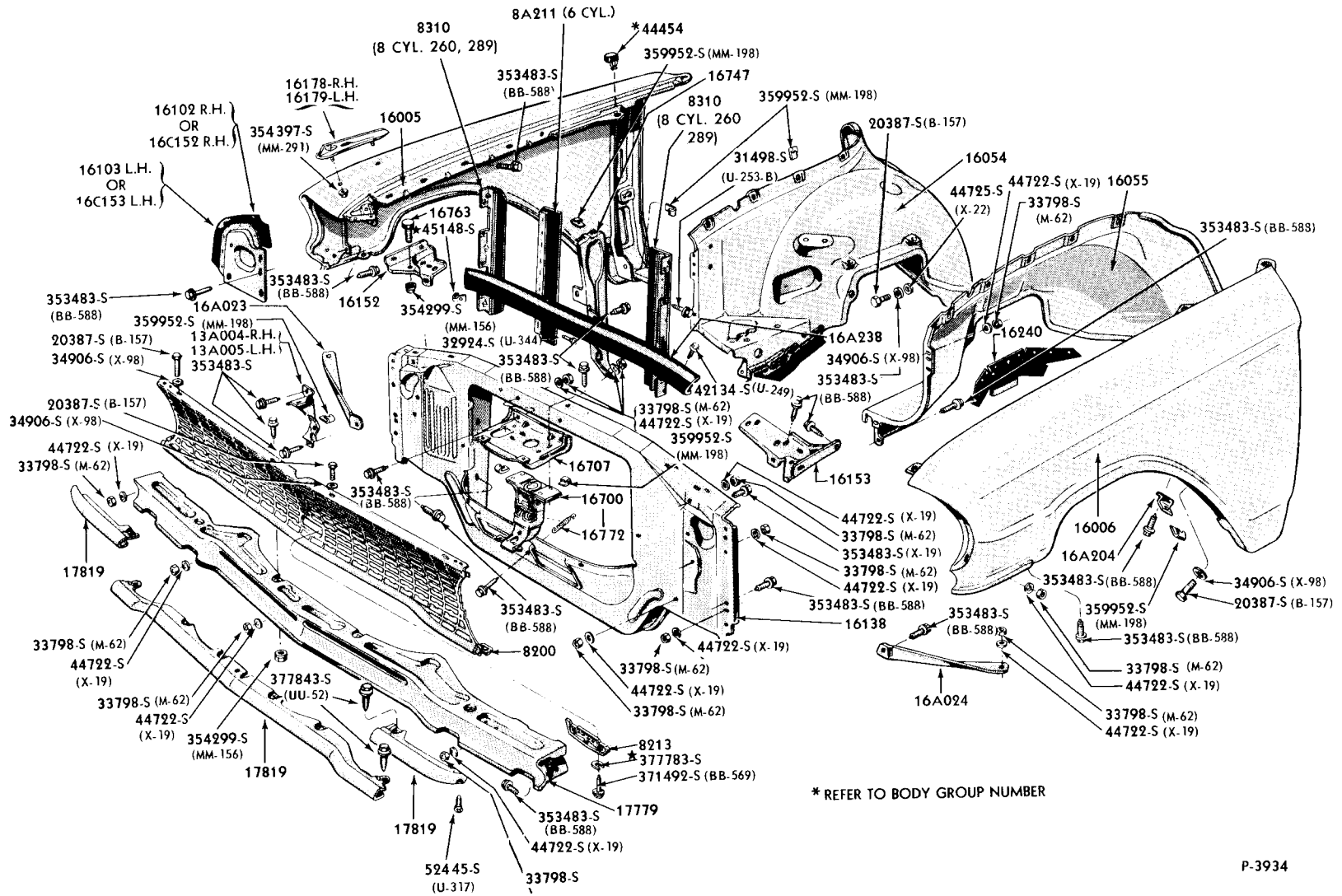


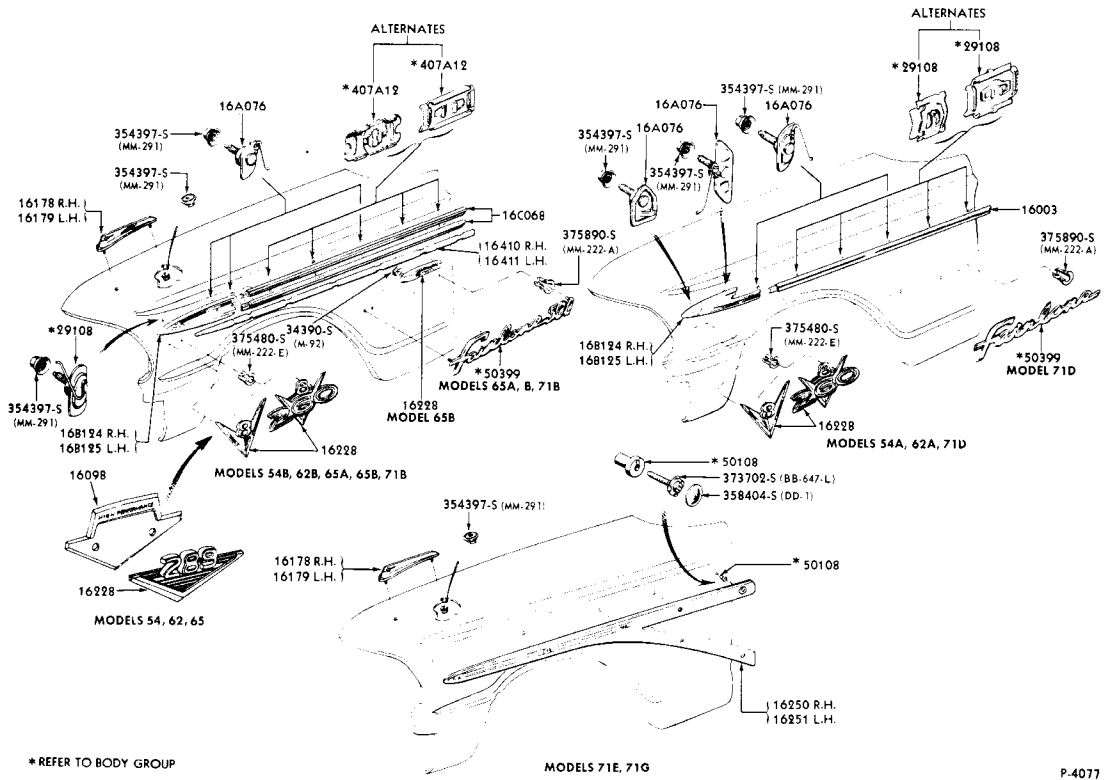
* REFER TO BODY GROUP NUMBER
 ● ALSO SUPPLIED IN 16000 FRONT END ASSEMBLY 1963 ONLY
 REFER TO BODY ILLUSTRATION SECTION P.3309
 FOR FURTHER INFORMATION ON UNDERBODY DETAILS



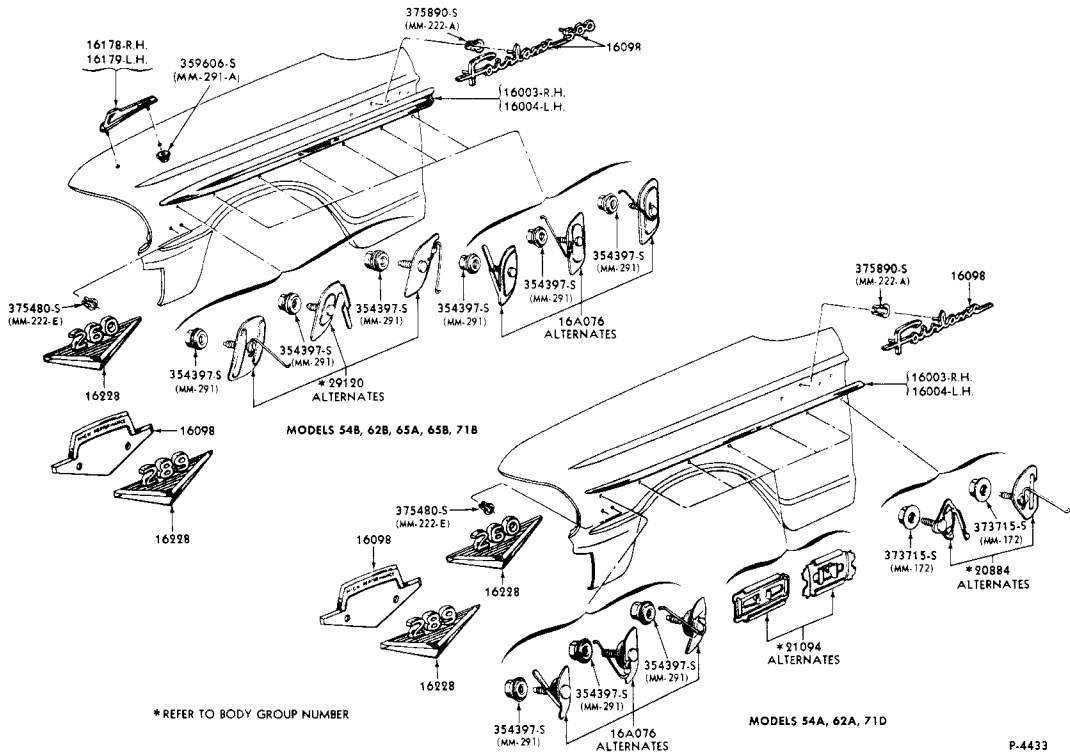
* REFER TO BODY GROUP NUMBER
 ● INCLUDED IN 8242-3 SERVICE PACKAGE
 ▲ INCLUDED IN 8196-7 SERVICE PACKAGE
 ■ FRONT SECTION ONLY - ALSO SUPPLIED IN 16054 - 5 APRON & HOUSING ASSEMBLY



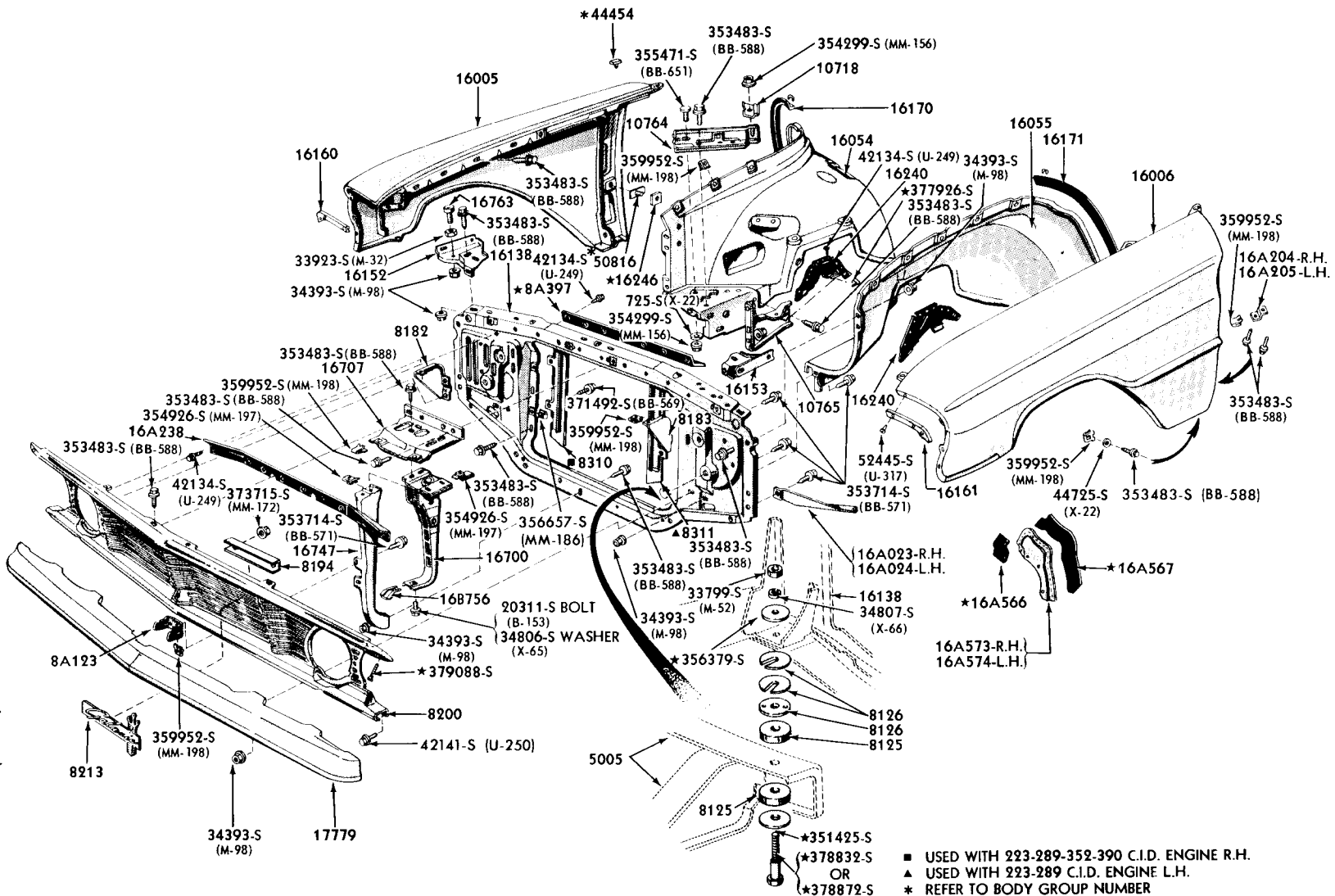




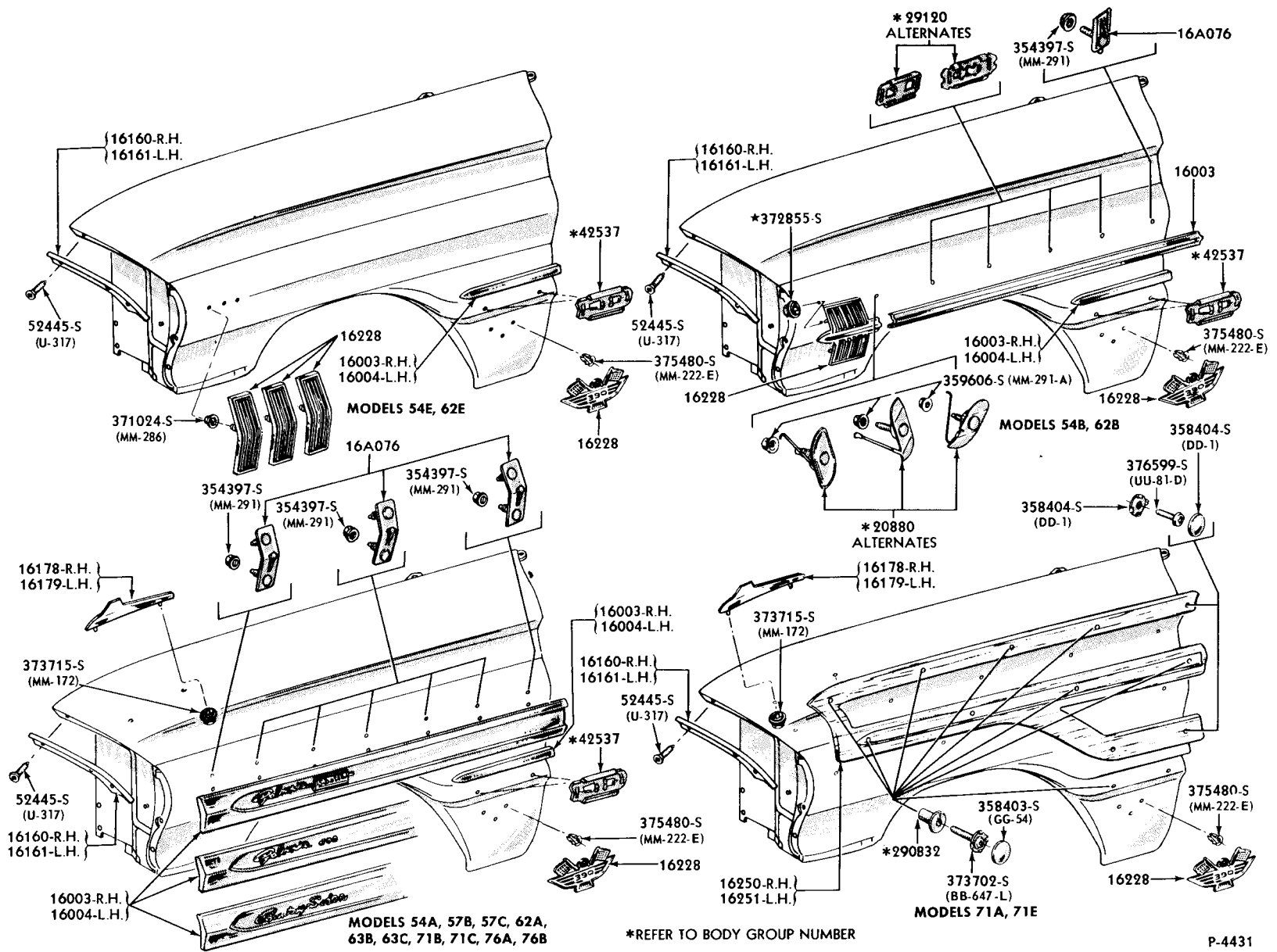
1963 FENDER MOULDINGS & NAME PLATES (FAIRLANE)

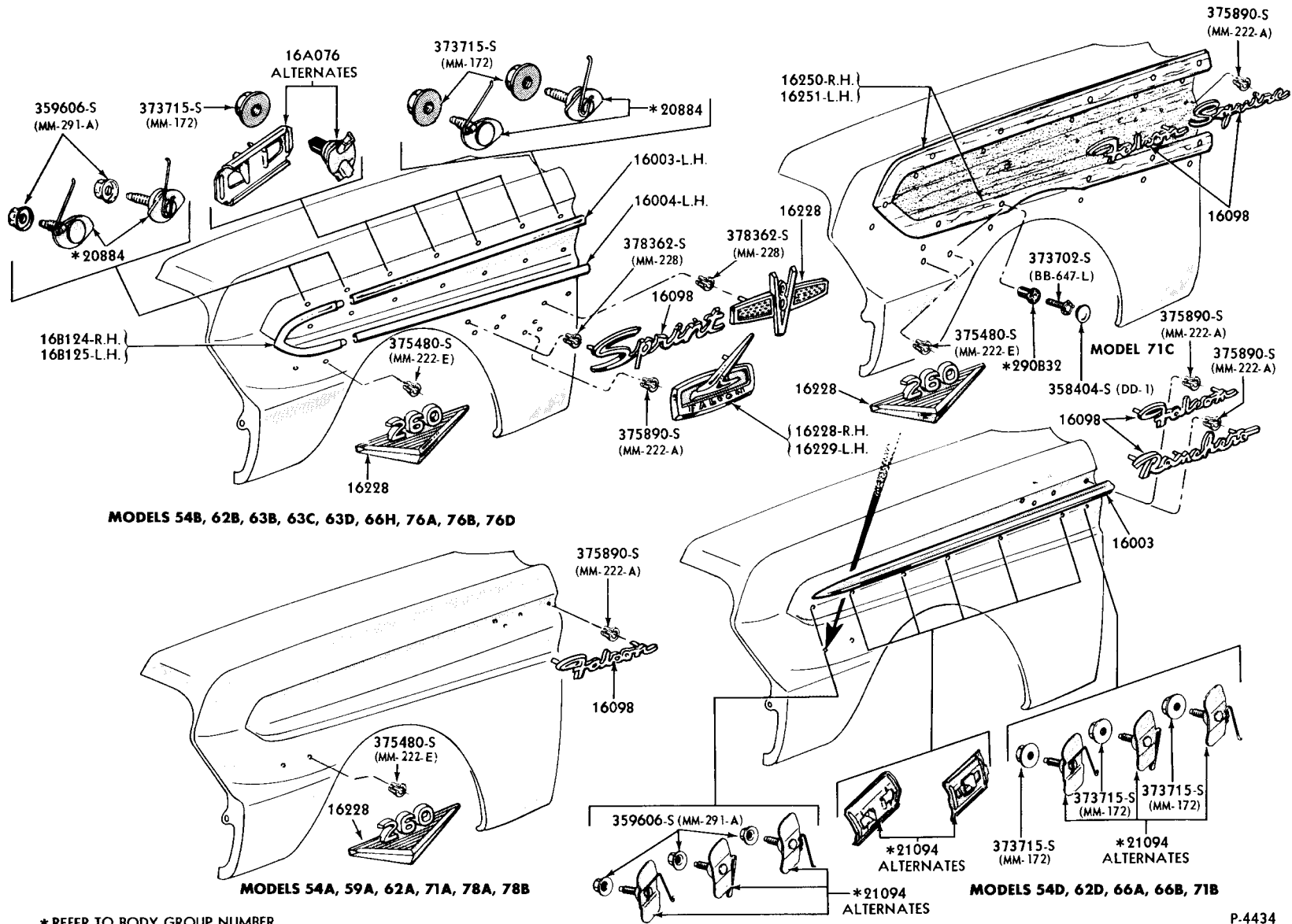


1964 FENDER MOULDINGS & NAME PLATES (FAIRLANE)



1964 FENDER MOLDINGS and NAME PLATES (FORD)



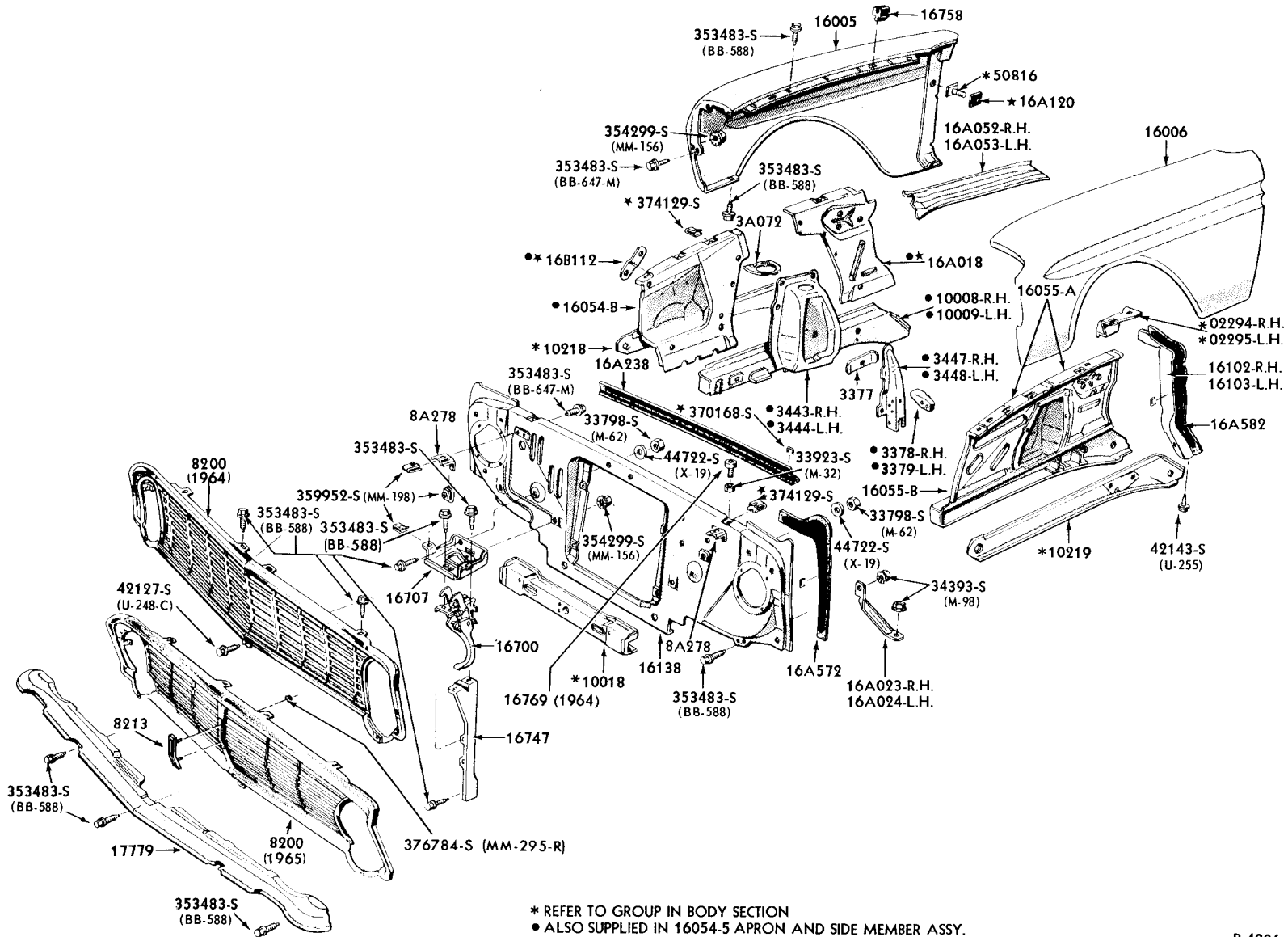


MODELS 54B, 62B, 63B, 63C, 63D, 66H, 76A, 76B, 76D

MODELS 54A, 59A, 62A, 71A, 78A, 78B

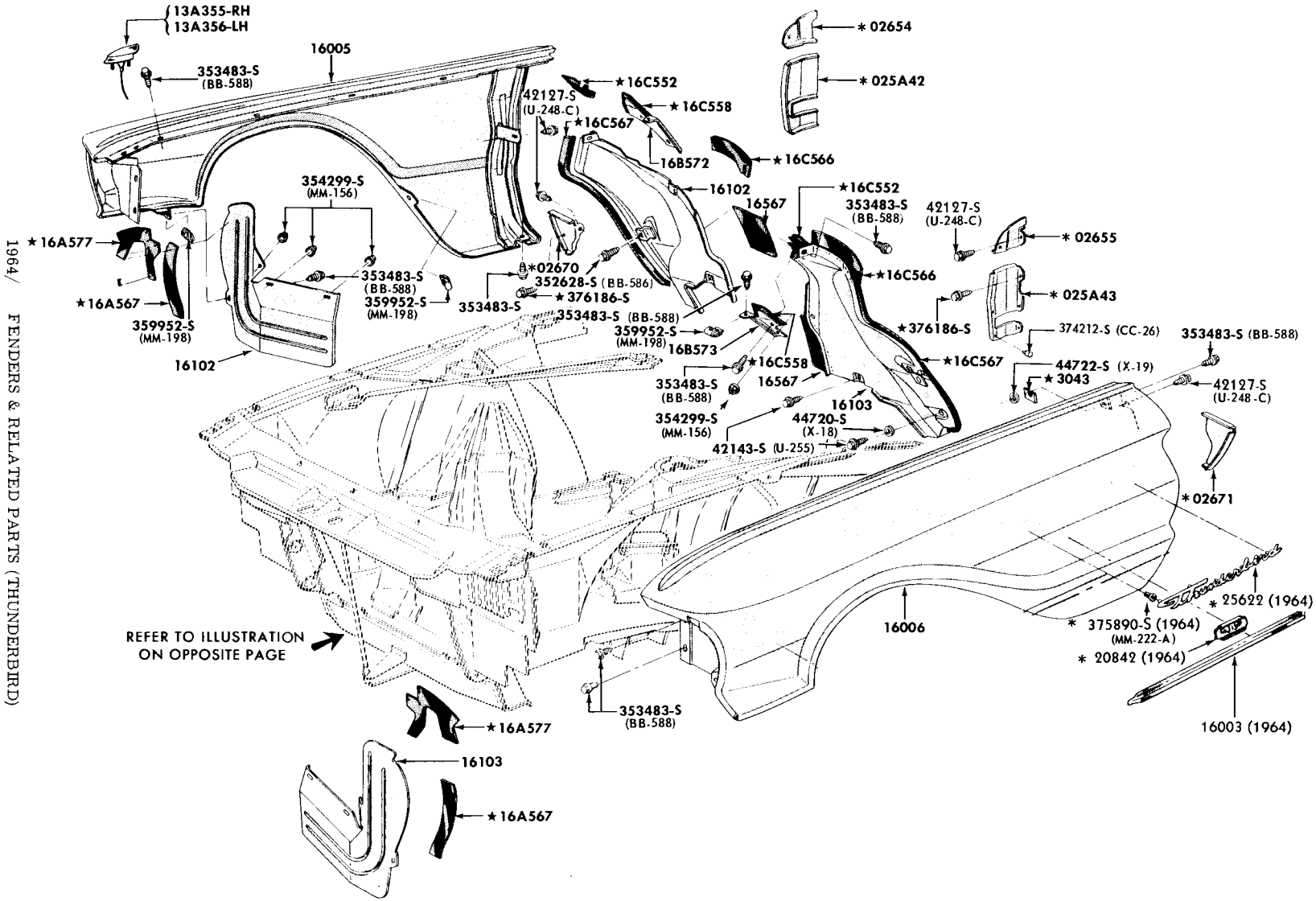
MODELS 54D, 62D, 66A, 66B, 71B

* REFER TO BODY GROUP NUMBER



* REFER TO GROUP IN BODY SECTION
 ● ALSO SUPPLIED IN 16054-5 APRON AND SIDE MEMBER ASSY.

1954 / FENDERS, RADIATOR GRILLE & RELATED PARTS (FALCON)

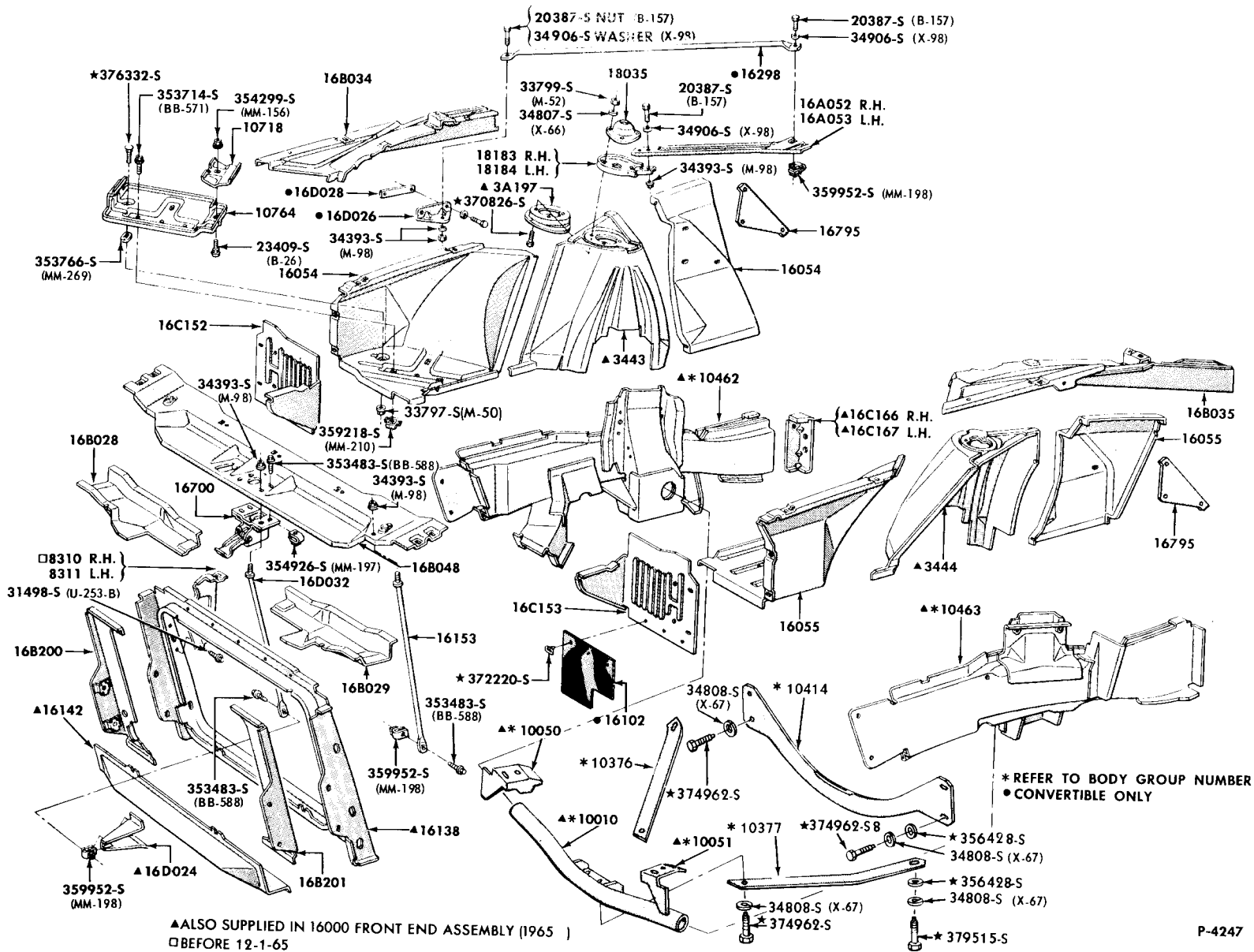


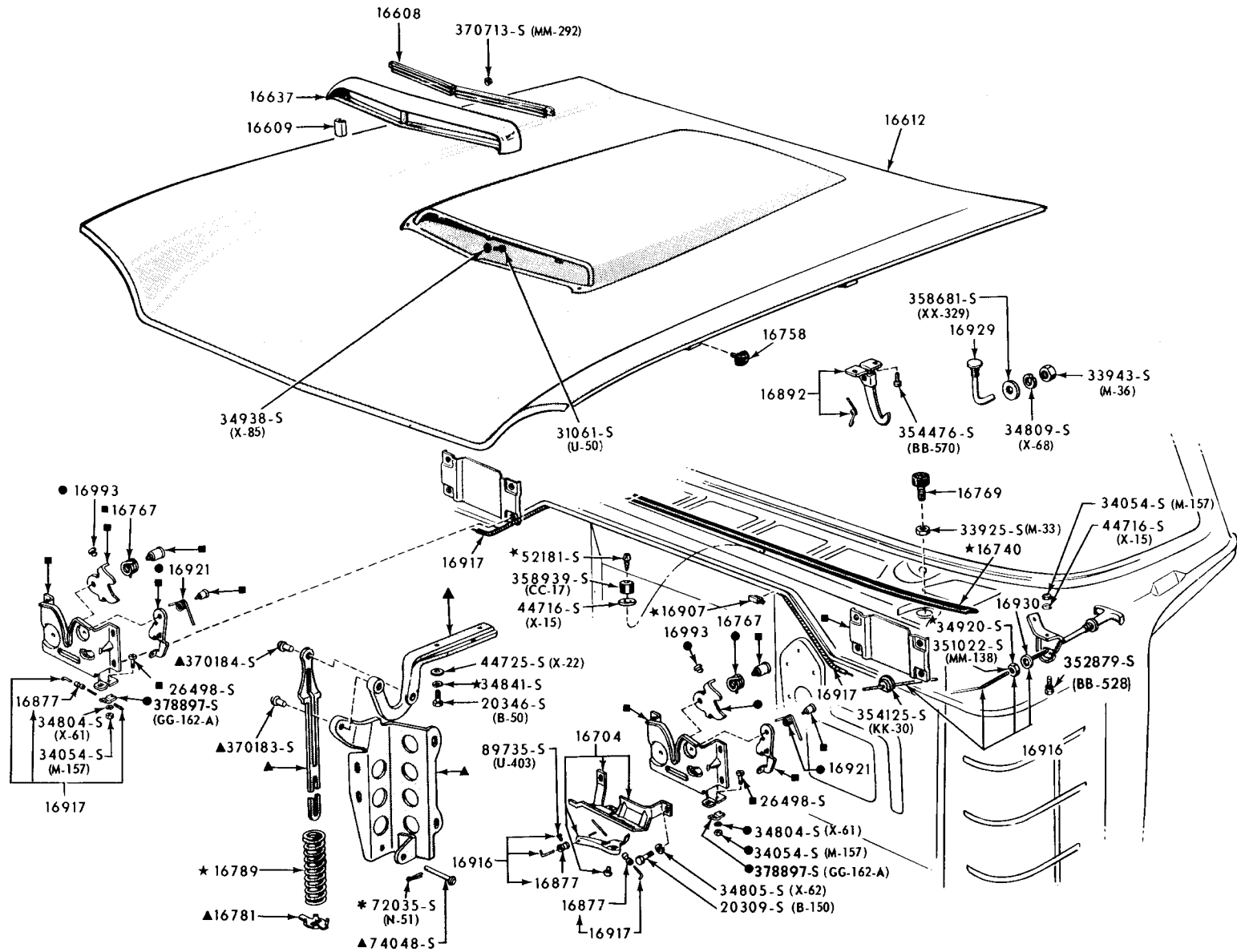
REFER TO ILLUSTRATION ON OPPOSITE PAGE

* REFER TO BODY GROUP NUMBER

1964 / FENDERS & RELATED PARTS (THUNDERBIRD)

1964 / FRONT END PARTS (THUNDERBIRD)



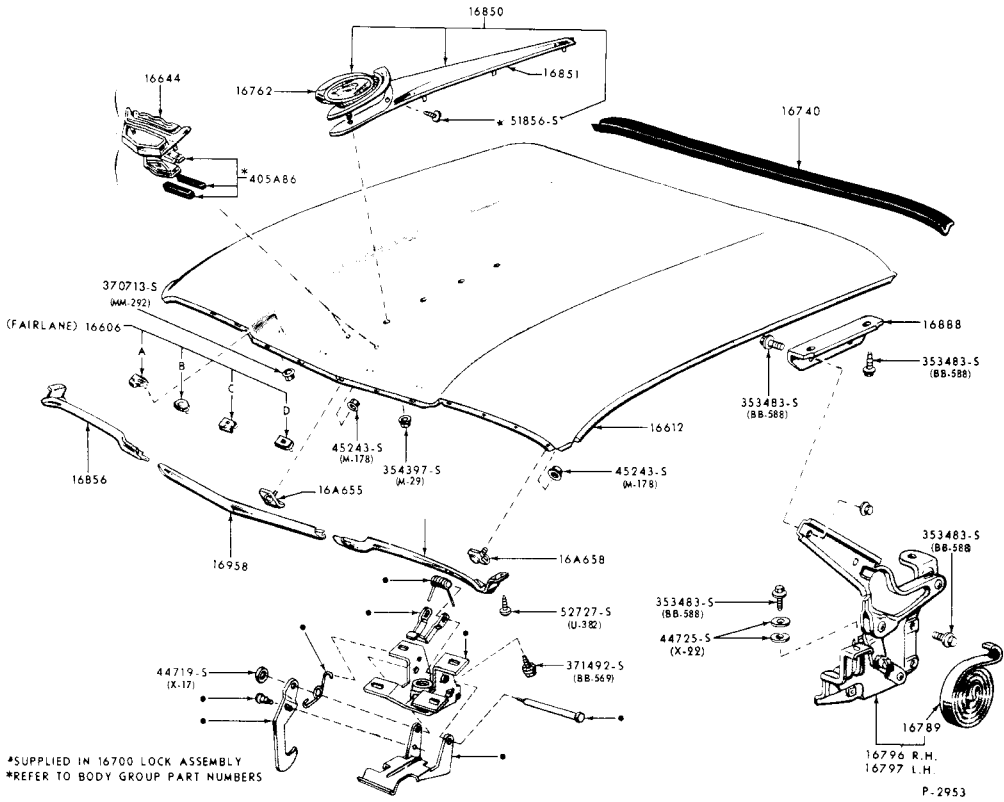


- * ALSO SUPPLIED IN 16796-7 R.H. & L.H. HINGE ASS'Y. (LESS SPRING)
- ALSO SUPPLIED IN 16700 LOCK ASS'Y.
- ▲ SUPPLIED ONLY IN 16796-7 R.H. & L.H. HINGE ASS'Y. (LESS SPRING)
- SUPPLIED ONLY IN 16700 LOCK ASS'Y.

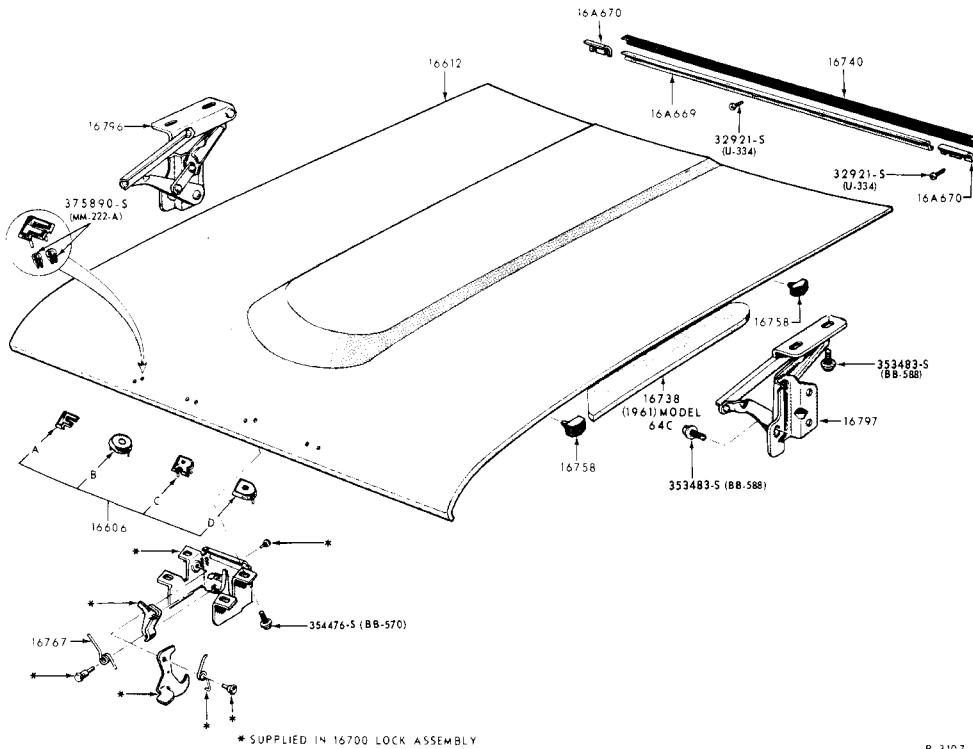
P-2652

ILLUSTRATION SECTION 166

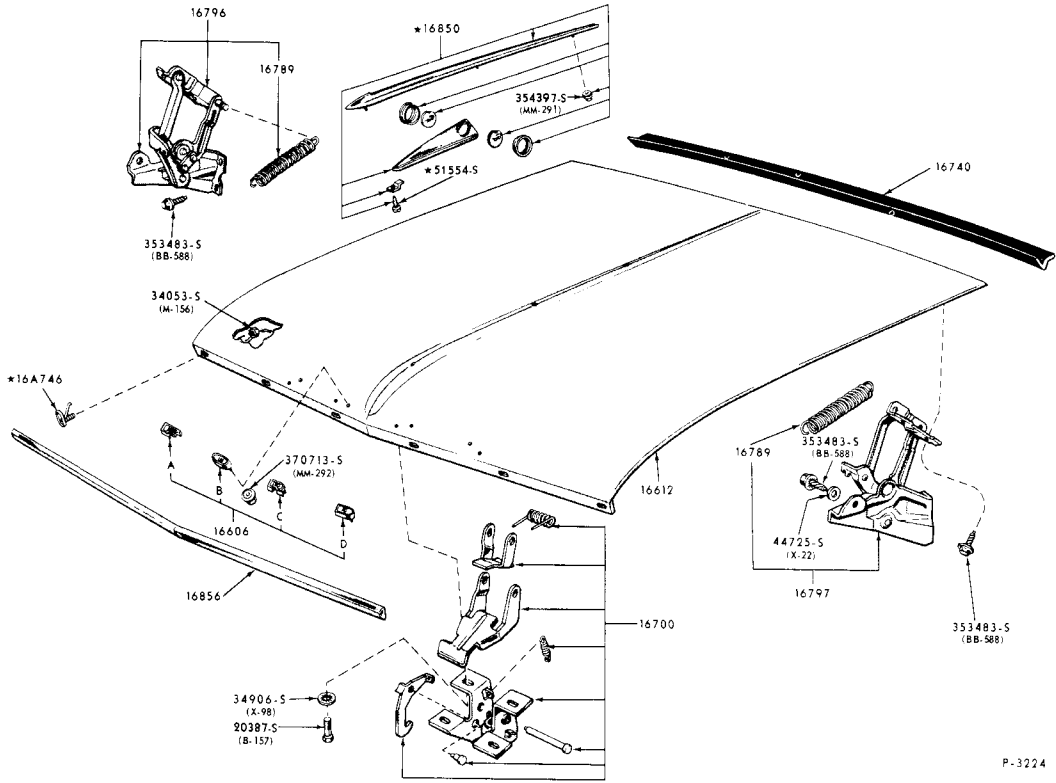
FORD CAR PARTS



1960 HOOD and RELATED PARTS (FORD)

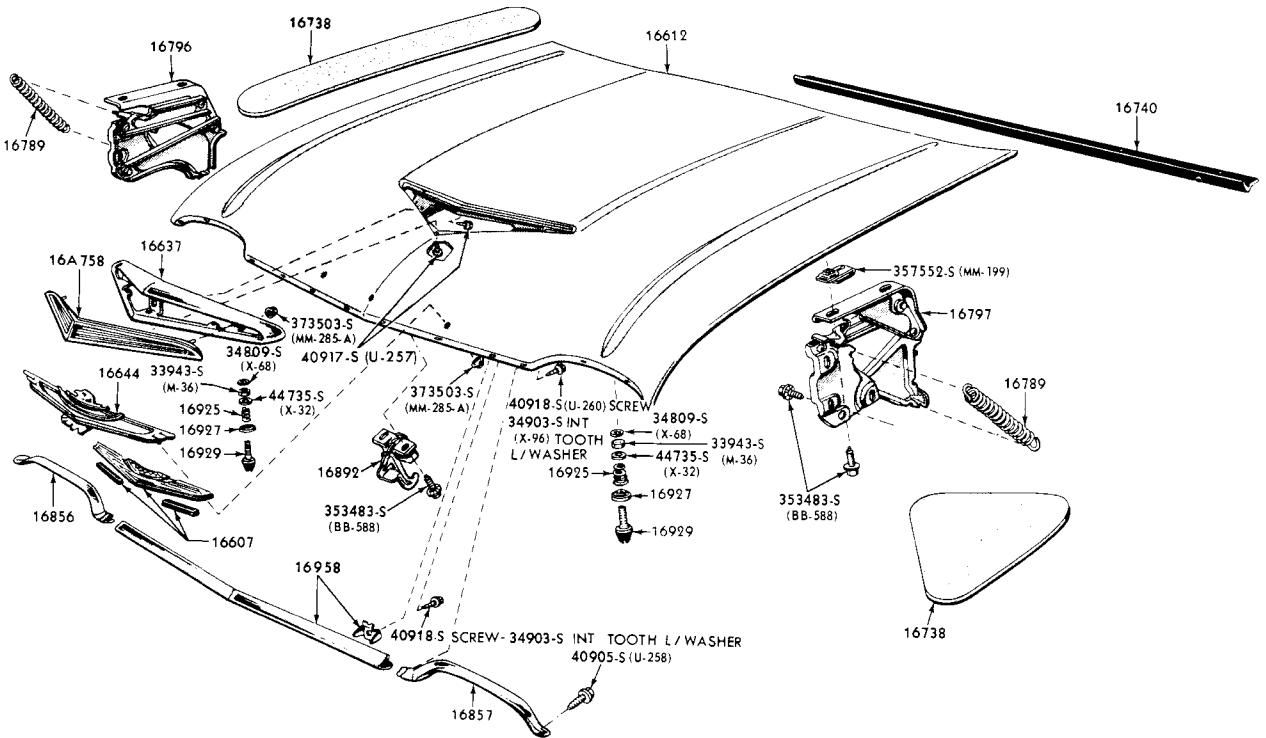


1960/61 HOOD and RELATED PARTS (FALCON)



P-3224

1961 HOOD and RELATED PARTS (FORD)

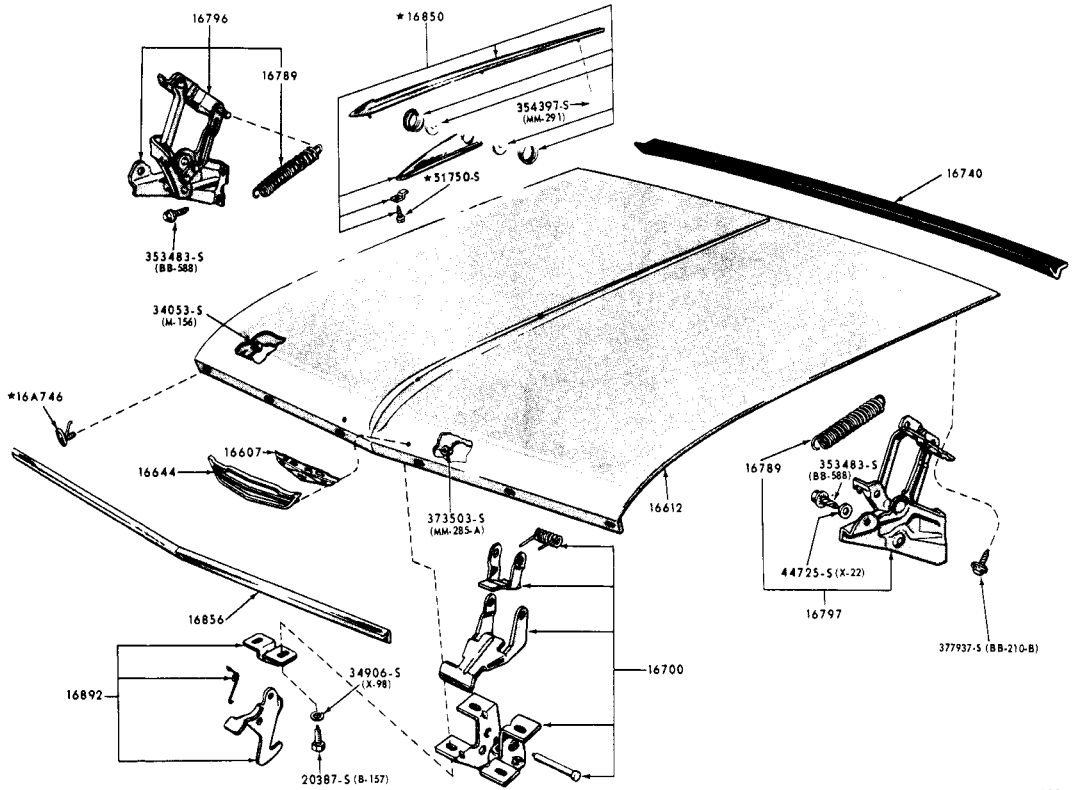


P-3252

1961/63 HOOD and RELATED PARTS (THUNDERBIRD)

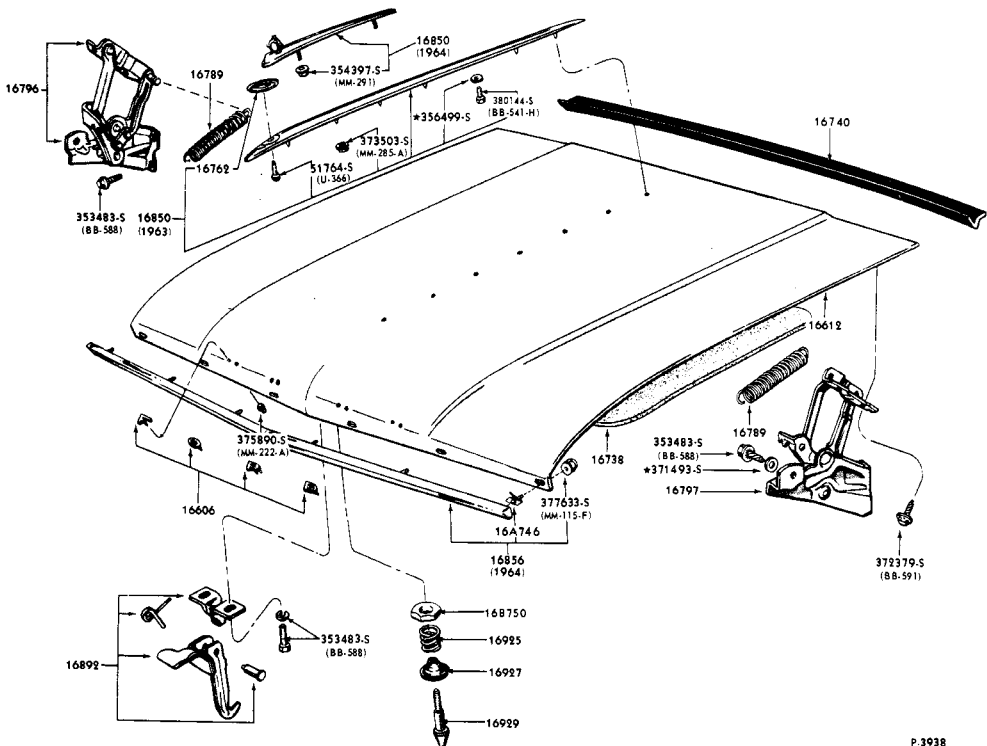
ILLUSTRATION SECTION 166

FORD CAR PARTS



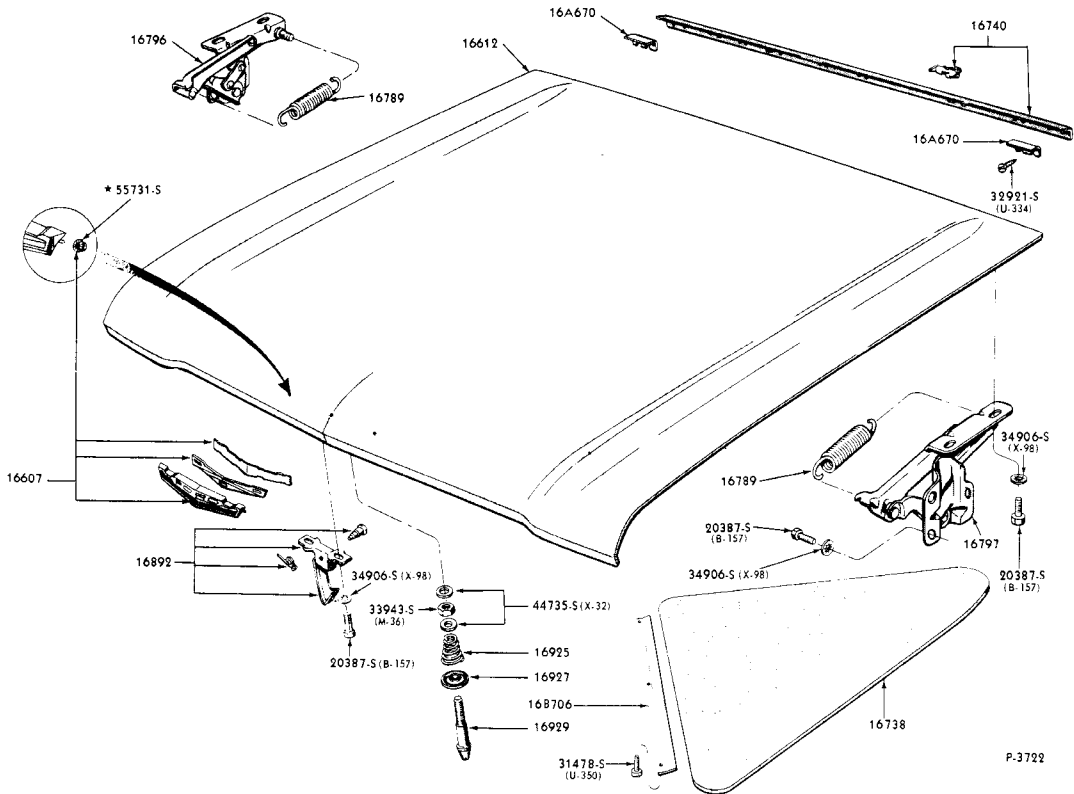
P-3725

1962 HOOD and RELATED PARTS (FORD)

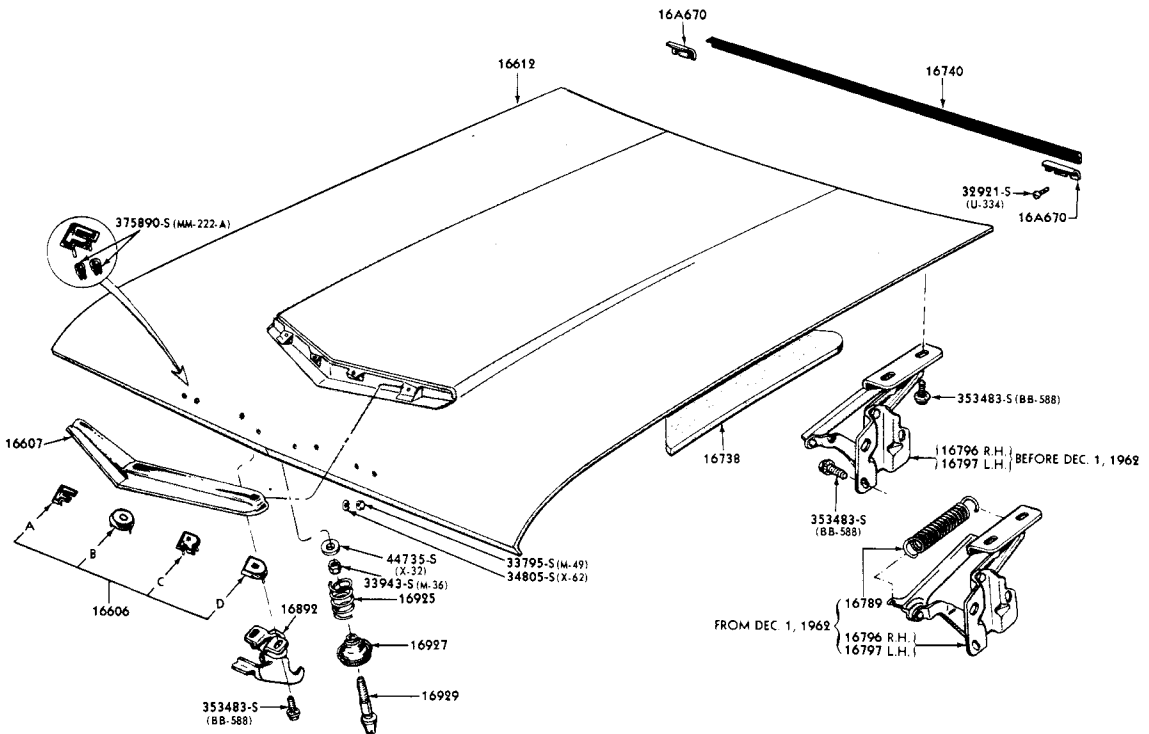


P.3938

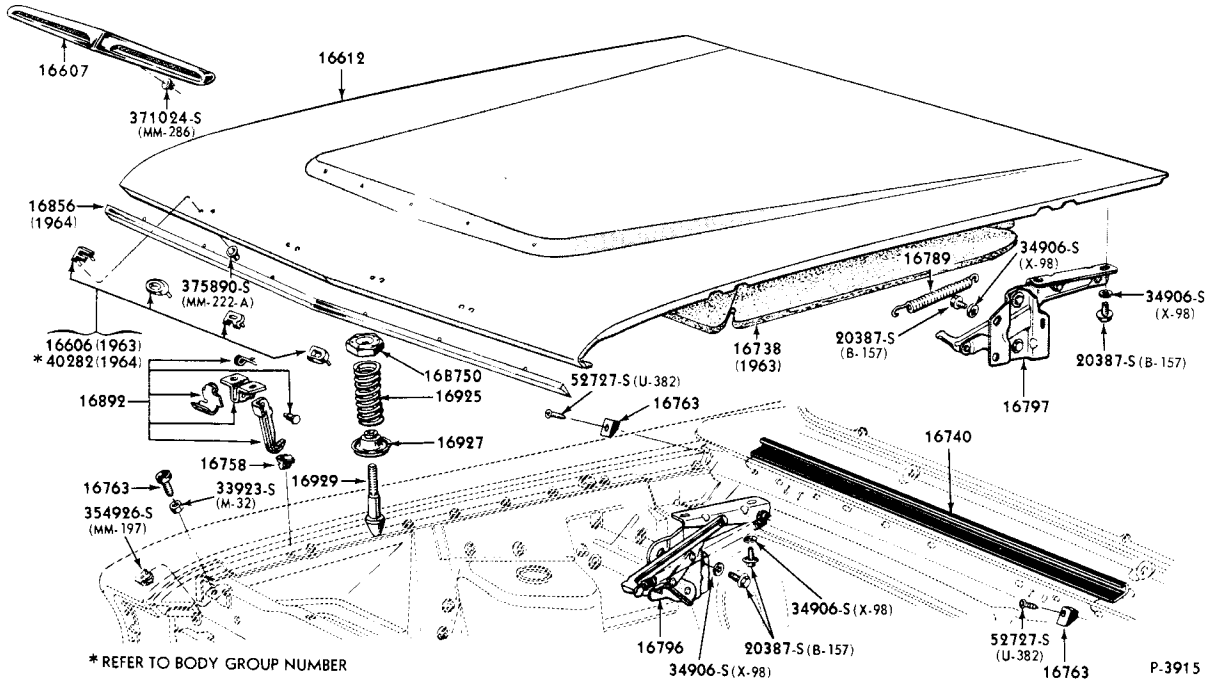
1963/64 HOOD and RELATED PARTS (FORD)



1962 HOOD and RELATED PARTS (FAIRLANE)



1962/63 HOOD and RELATED PARTS (FALCON)



1963/64 HOOD and RELATED PARTS (FAIRLANE)

INDEX

INCLUDED IN THIS INDEX ARE THE FOLLOWING MAJOR GROUPS IN THE ORDER SHOWN BELOW:

- | | |
|---------------------------------|---------------------------------------|
| JACK | REAR BUMPER |
| SPEEDOMETER | REAR VIEW MIRROR |
| WINDSHIELD WASHER | SHOCK ABSORBERS |
| WINDSHIELD WIPER | HEATER |
| WINDSHIELD WIPER ELECTRIC MOTOR | AIR CONDITIONER-ENGINE COMPARTMENT |
| FRONT BUMPER | AIR CONDITIONER-PASSENGER COMPARTMENT |

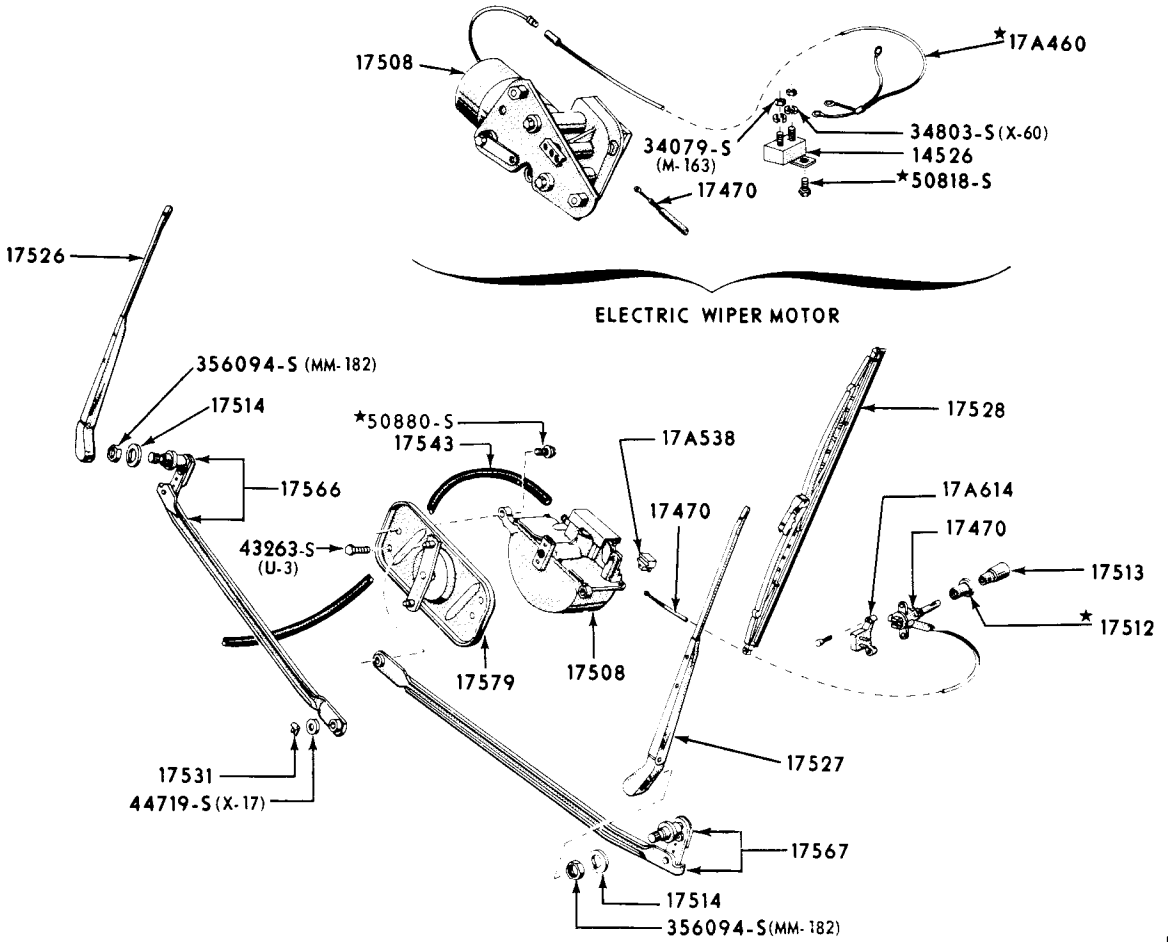
YEAR	TITLE	ILLUS. NO.	SECTION	PAGE
JACK				
1961/64	Spare Wheel & Jack Stowage (Ford)	P-3706	10	34
1962/	Spare Wheel & Jack Stowage (Fairlane-Body Type 54,62,65)	P-3706	10	34
1963/	Spare Wheel & Jack Stowage (Fairlane-Body Type 71)	P-4824	10	35
1960/	Spare Wheel & Jack Stowage (Falcon)	P-3916	10	38
1961/63	Spare Wheel & Jack Stowage (Thunderbird)	P-4598	10	37
1964/	Spare Wheel & Jack Stowage (Thunderbird)	P-4597	10	37
SPEEDOMETER				
	Speedometer - see Miscellaneous Illustrations in front of book			
	Speedometer Cable - see Section 172 - Group 17260 in Form AF 7681 (car text)			
WINDSHIELD WASHER				
1960	Windshield Washer (Ford-6 cylinder-without Air Conditioning)	P-3142	175	508
1960	Windshield Washer (Ford 8 cylinder-with Generator)	P-3143	175	509
1960	Windshield Washer (Ford-6 cylinder w/Air Conditioner)(8 cylinder w/Alternator System)	P-3067	175	507
1961/64	Windshield Washer (Ford)	P-3261	175	516
1962/	Windshield Washer (Fairlane)	P-3661	175	521
1960/62	Windshield Washer (Falcon)	P-3086	175	514
1963/	Windshield Washer (Falcon)	P-4726	175	525
1960	Windshield Washer (Thunderbird)	P-3204	175	512
1961/63	Windshield Washer (Thunderbird)	P-3281	175	519
1964/	Windshield Washer (Thunderbird)	P-4733	175	523
WINDSHIELD WIPER				
1960	Windshield Wiper (Ford)	P-3109	175	506
1962	Windshield Wiper (Ford)	P-3655	175	517
1963/64	Windshield Wiper (Ford)	P-4129	175	524
1962	Windshield Wiper (Fairlane)	P-3656	175	520
1963/	Windshield Wiper (Fairlane)	P-4173	175	521
1960/62	Windshield Wiper (Falcon)	P-3085	175	513
1963/	Windshield Wiper (Falcon)	P-4130	175	525
1960	Windshield Wiper (Thunderbird)	P-2654	175	511
1961	Windshield Wiper and Related Parts (Ford)	P-3392	175	515
1961/62	Windshield Wiper and Related Parts (Thunderbird)	P-3297	175	518
1963/	Windshield Wiper and Related Parts-Hydraulic (Thunderbird)	P-4053	175	523
WINDSHIELD WIPER ELECTRIC MOTOR				
1960/61	Windshield Wiper Electric Motor and Related Parts (Ford & Falcon)	P-3256	175	510
1961	Windshield Wiper Electric Motor and Related Parts (Thunderbird)	P-3256	175	510
1962	Windshield Wiper Electric Motor-Single Speed Autolite Type	P-3923	175	522
1963/64	Windshield Wiper Electric Motor-Single Speed Ford Type	P-3945	175	522
1963/	Windshield Wiper Electric Motor-2 Speed Ford Type	P-4200	175	524

INDEX

YEAR	TITLE	ILLUS. NO.	SECTION	PAGE
FRONT BUMPER				
1960	Front Bumper and Related Parts (Ford)	P-2971	176	526
1961/62	Front Bumper and Related Parts (Ford)	P-3225	176	532
1963	Front Bumper and Related Parts (Ford)	P-3911	176	535
1964	Front Bumper and Related Parts (Ford)	P-4225	176	536
1962/63	Front Bumper and Related Parts (Fairlane)-Typical	P-3710	176	533
1964	Front Bumper and Related Parts (Fairlane)	P-4211	176	534
1960/61	Front Bumper and Related Parts (Falcon)	P-3110	176	529
1962/63	Front Bumper and Related Parts (Falcon)	P-3644	176	529
1964/	Front Bumper and Related Parts (Falcon)	P-4257	176	538
1960	Front Bumper, Radiator Grille and Related Parts (Thunderbird)	P-2997	176	527
1961/63	Front Bumper, Radiator Grille and Related Parts (Thunderbird)	P-3249	176	531
1964/	Front Bumper, Radiator Grille and Related Parts (Thunderbird)	P-4212	176	537
REAR BUMPER				
1960	Rear Bumper and Related Parts (Ford) -except with Spare Wheel Carrier	P-2987	176	526
1960	Rear Bumper and Related Parts (Ford)-with Spare Wheel Carrier	P-3178	10	32
1961	Rear Bumper and Related Parts (Ford)-except with Spare Wheel Carrier	P-3226	176	532
1961	Rear Bumper and Related Parts (Ford)-with Spare Wheel Carrier	P-3671	10	33
1962	Rear Bumper and Related Parts (Ford)	P-3638	176	533
1963	Rear Bumper and Related Parts (Ford)	P-3910	176	535
1964	Rear Bumper and Related Parts (Ford)	P-4256	176	536
1962/64	Rear Bumper and Related Parts (Fairlane)	P-3646	176	534
1960/63	Rear Bumper and Related Parts (Falcon)	P-3111	176	530
1964/	Rear Bumper and Related Parts (Falcon)	P-4259	176	538
1960	Rear Bumper (Thunderbird) -except with Spare Wheel Carrier	P-2460	176	528
1960	Rear Bumper and Related Parts (Thunderbird)-with Spare Wheel Carrier	P-2900	10	36
1961/63	Rear Bumper and Related Parts (Thunderbird)	P-3263	176	531
1964/	Rear Bumper and Related Parts (Thunderbird)	P-4226	176	537
OUTSIDE REAR VIEW MIRROR				
1963/	Remote Control Rear View Mirror-Door Mounted (Ford)	P-4542	176	539
1964/	Remote Control Rear View Mirror (Falcon and Fairlane)	P-4543	176	541
1963	Remote Control Rear View Mirror -Fender Mounted (Ford, Fairlane, Falcon)	P-4054	176	539
1963	Remote Control Rear View Mirror (Thunderbird)	P-4098	176	540
1964/	Remote Control Rear View Mirror (Thunderbird)	P-4541	176	540
	For Inside Rear View Mirror Refer to Body Illustration Section 030			
SHOCK ABSORBERS				
1960/64	Shock Absorber-Front (Ford)	P-2977	180	542
1960/64	Shock Absorber-Rear (Ford)	P-2984	180	542
1962	Shock Absorber-Front (Fairlane)	P-3675	30	69
1962/	Shock Absorber-Rear (Fairlane)	P-3662	53	136
1960/	Shock Absorber-Front (Falcon)	P-3129	180	544
1960/	Shock Absorber-Rear (Falcon)	P-3137	180	544
1960	Shock Absorber-Front (Thunderbird)	P-3091	180	543
1960	Shock Absorber-Rear (Thunderbird)	P-3065	180	543
1961/62	Shock Absorber-Front (Thunderbird)	P-3276	180	545
1961/63	Shock Absorber-Rear (Thunderbird) - Typical	P-3278	180	545
1963/	Shock Absorber-Front (Thunderbird)	P-4119	180	546
1964/	Shock Absorber-Rear (Thunderbird)	P-4352	180	546

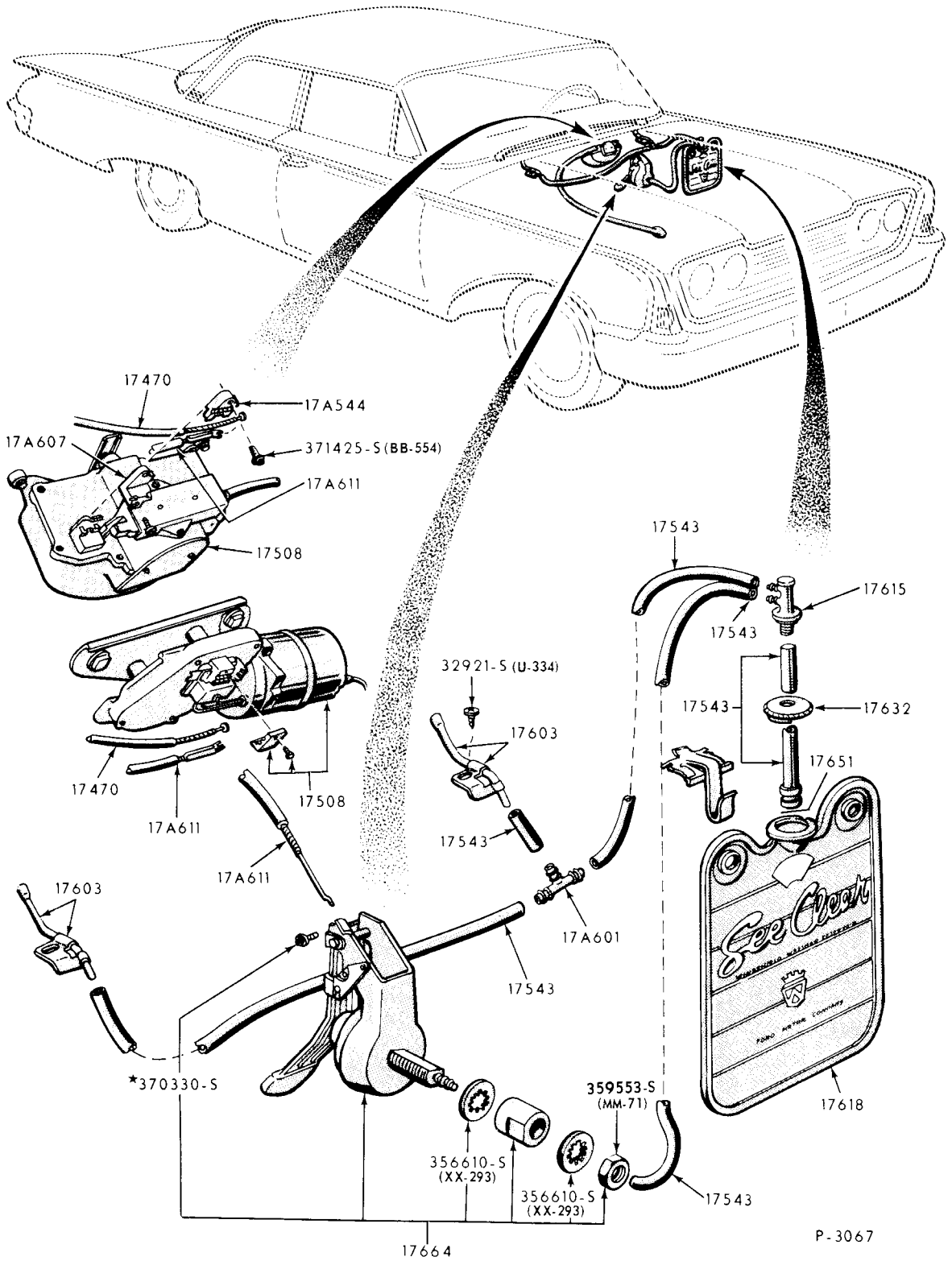
INDEX

YEAR	TITLE	ILLUS. NO.	SECTION	PAGE
HEATER				
1960/61	Fresh Air Heater and Related Parts (Ford)- Typical	P-3087	184	547
1962/64	Fresh Air Heater and Related Parts (Ford)	P-4085	184	552
1962/	Fresh Air Heater and Related Parts (Fairlane)	P-3766	184	553
1960/	Fresh Air Heater and Related Parts (Falcon)	P-3145	184	549
1960	Fresh Air Heater and Related Parts (Thunderbird)	P-2861	184	548
1961/63	Fresh Air Heater and Related Parts (Thunderbird)	P-3272	184	551
1964/	Fresh Air Heater and Related Parts (Thunderbird)	P-4416	184	554
1961/63	Fresh Air Heater Engine Compartment Hoses and Connection (Thunderbird)	P-3803	184	550
AIR CONDITIONER - ENGINE COMPARTMENT				
1960/	Air Conditioner Compressor (Tecumseh Design)	P-4381	190	570
1960/	Air Conditioner Compressor (York Design)	P-4382	190	570
1962	Fairlane Hang-On Air Conditioner Condenser, Dehydrator & Compressor (6 cyl. 170)	P-3794	190	583
1962	Fairlane Hang-On Air Conditioner Condenser, Dehydrator & Compressor (8 cyl. 221)	P-3795	190	584
1960/62	Falcon Hang-On Air Conditioner Condenser, Compressor & Related Parts	P-3378	190	574
1963/	Air Conditioner Condenser, Dehydrator, Compressor & Related Parts-(Fairlane)-6 cylinder	P-4404	190	587
1963/	Hang-On Air Conditioner Condenser, Dehydrator, Compressor & Related Parts(Falcon-6 cyl.)	P-4402	190	576
1960/61	Integral Air Conditioner Condenser, Dehydrator, Compressor & Related Parts - (Ford-8 cylinder)	P-3151	190	577
1963	Integral Air Conditioner Condenser, Dehydrator, Compressor & Related Parts - (Ford-8 cylinder 352, 390 engines)	P-4172	190	586
1964	Air Conditioner Condenser, Dehydrator, Compressor & Related Parts - (Ford-8 cyl. 352, 390)	P-4408	190	588
1960/	Ford & Thunderbird Integral Air Conditioner Compressor Clutches & Related Parts	P-3216	190	571
1960	Ford & Thunderbird Integral Air Conditioner Compressor, Pulleys & Related Parts (Side Mounted Hoses)-1960 Thunderbird 1960/ Falcon-Typical	P-2724	190	572
1960/62	Ford & Thunderbird Integral Air Conditioner Compressor (Tecumseh Design)	P-3217	190	571
1960/62	Ford Hang-On Air Conditioner Condenser, Dehydrator, Compressor & Related Parts (6 cylinder 223 C. I. D. Engine)	P-3914	190	573
1963/64	Hang-On Air Conditioner Condenser, Dehydrator, Compressor & Related Parts - (Ford-6 cylinder)	P-4407	190	575
1962/62	Air Conditioner Condenser, Dehydrator, Compressor & Related Parts (Ford-8 cylinder)	P-3265	190	579
1962	Ford Integral Air Conditioner & Heater Vacuum Hose Installation	P-3817	190	580
1963/64	Integral Air Conditioner Condenser, Dehydrator, Compressor & Related Parts - (Ford, Fairlane-8 cylinder 260, 289 engines)	P-4163	190	585
1960	Thunderbird Integral Air Conditioner Condenser, Compressor & Related Parts	P-2932	190	578
1961	Thunderbird Integral Air Conditioner Condenser, Dehydrator, Compressor & Related Parts	P-3294	190	581
1964	Thunderbird Integral Air Conditioner Condenser, Dehydrator, Compressor & Related Parts	P-4409	190	589
1962/63	Thunderbird Integral Air Conditioner Condenser, Dehydrator, Compressor, Hoses & Related Parts	P-3804	190	582
AIR CONDITIONER - PASSENGER COMPARTMENT				
1962	Hang-On Air Conditioner Evaporator & Control (Ford, Fairlane & Falcon)	P-3918	190	564
1963/64	Hang-On Air Conditioner Evaporator, Controls & Related Parts (Ford, Fairlane, "Falcon-Before 3/2/64")	P-4156	190	566
1964/	Hang-On Air Conditioner Evaporator, Control & Related Parts ("Falcon-From 3/2/64")	P-4549	190	567
1960/62	Hang-On Air Conditioner Evaporator, Register & Related Parts (Ford-6 & 8 cylinder)	P-3148	190	555
1962	Hang-On Air Conditioner Evaporator, Register & Related Parts (Fairlane)	P-3746	190	565
1960/62	Hang-On Air Conditioner Register, Evaporator & Related Parts (Falcon)	P-3379	190	560
1960	Integral Air Conditioner Evaporator, Blower & Related Parts (Thunderbird)	P-2933	190	558
1961/63	Integral Air Conditioner Evaporator, Blower & Related Parts (Thunderbird)	P-3295	190	562
1964/	Integral Air Conditioner Evaporator, Blower, Register & Controls (Thunderbird)	P-4415	190	569
1963/	Integral Air Conditioner Evaporator, Control & Related Parts(Ford and Fairlane)	P-4157	190	568
1960	Integral Air Conditioner Evaporator, Heater & Related Parts (Ford)	P-3152	190	556
1961/62	Integral Air Conditioner Evaporator, Heater & Related Parts (Ford)	P-3266	190	561
1960/62	Integral Air Conditioner Instrument Panel Controls & Related Parts (Ford)	P-3150	190	557
1960	Integral Air Conditioner Instrument Panel Controls & Related Parts (Thunderbird)	P-2934	190	559
1961/63	Integral Air Conditioner Instrument Panel Controls & Related Parts (Thunderbird)	P-3293	190	563



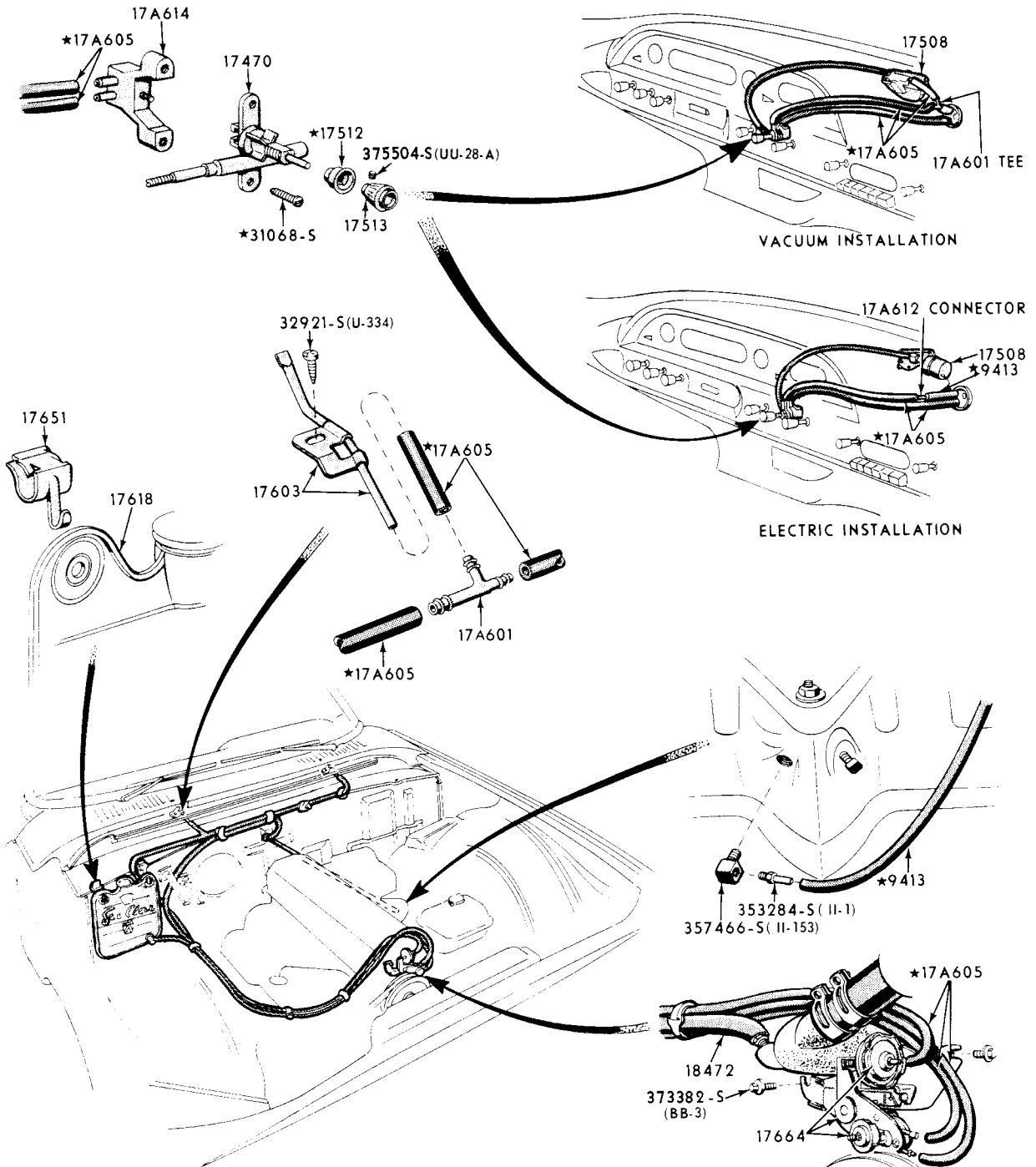
P-3109

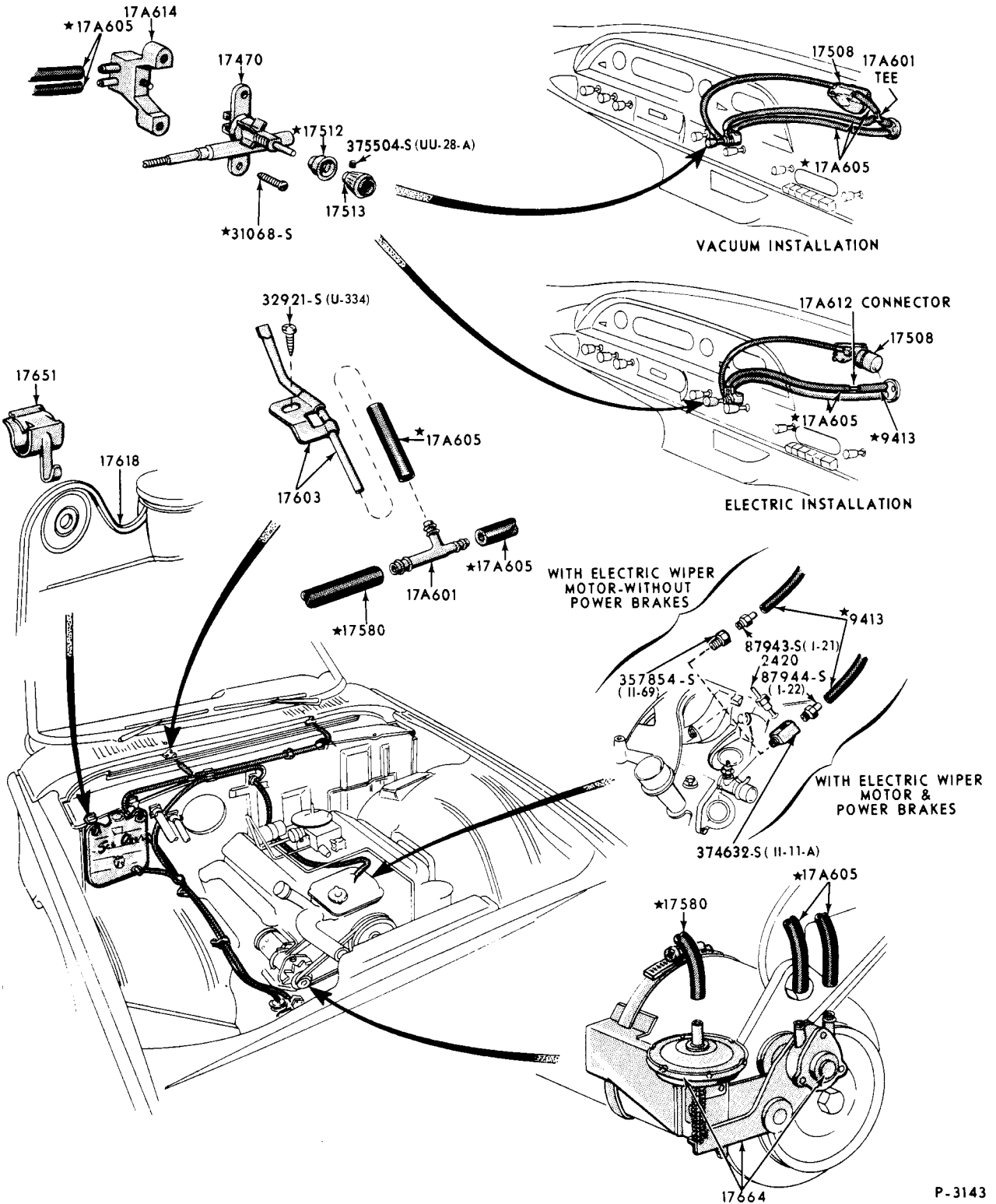
1960 WINDSHIELD WIPER (FORD)



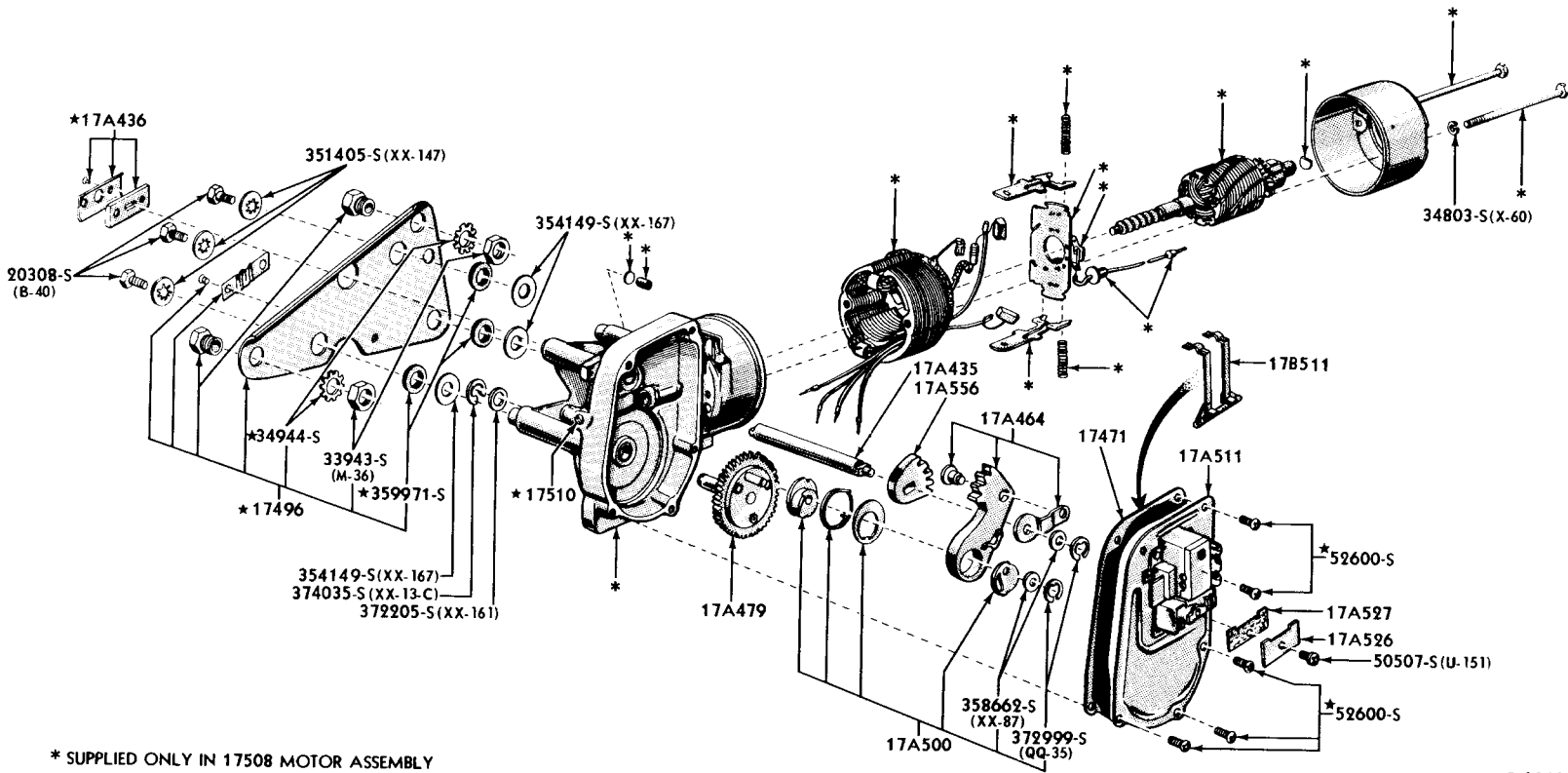
P-3067

1960 WINDSHIELD WASHER (FORD)
(6 CYLINDER WITH AIR CONDITIONING)
(8 CYLINDER WITH ALTERNATOR SYSTEM)



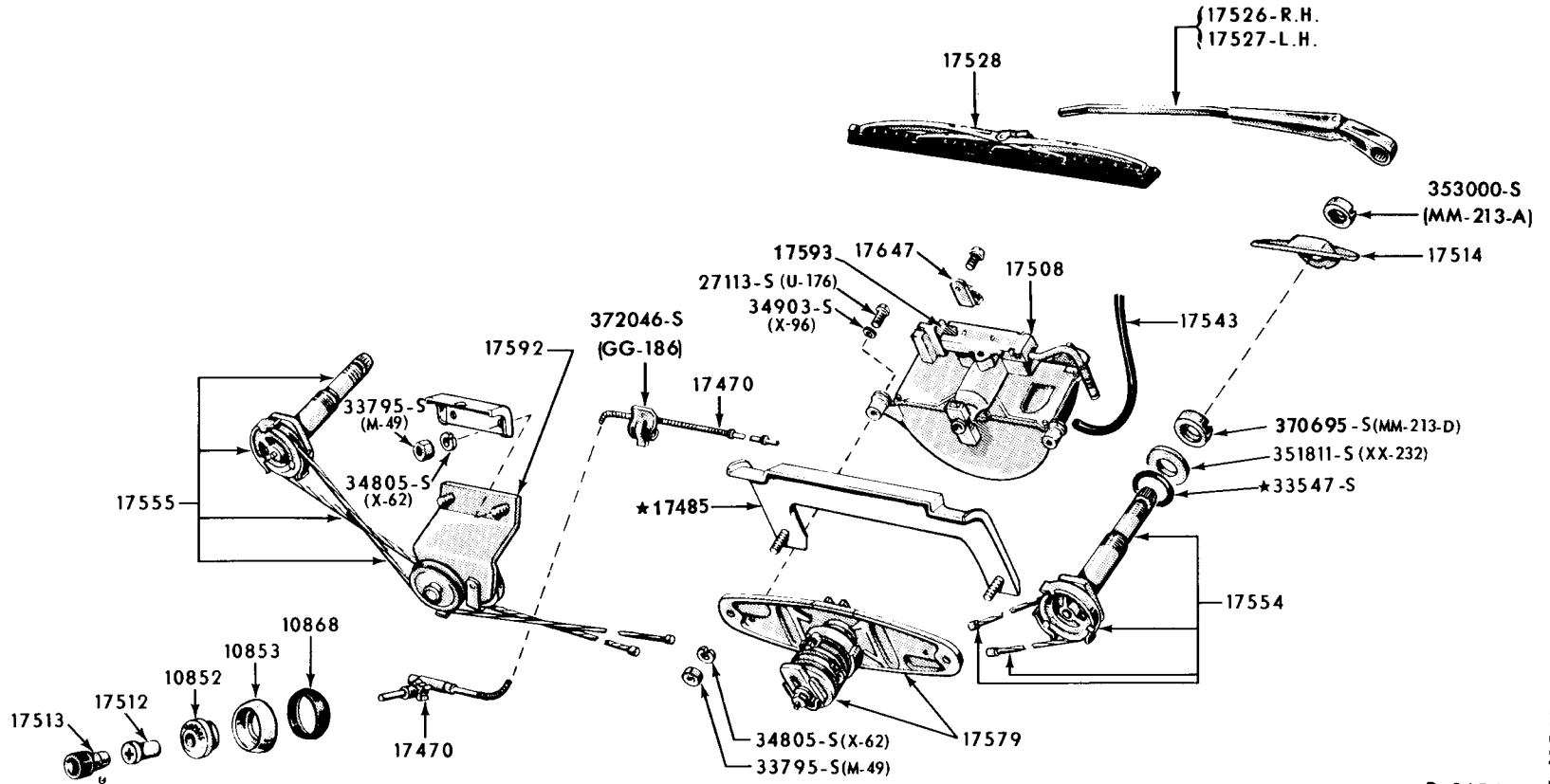


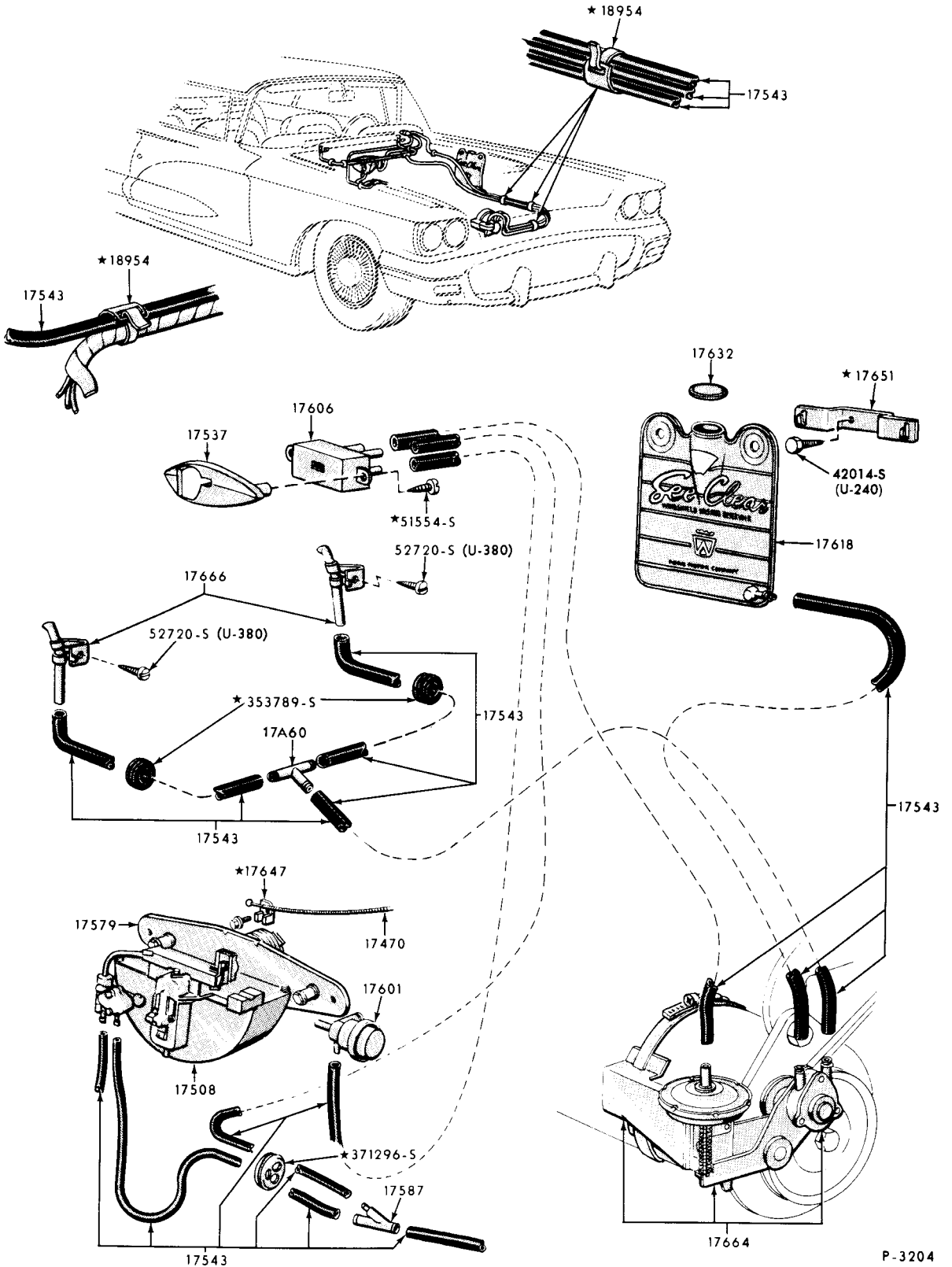
1960 WINDSHIELD WASHER (FORD-8 CYLINDER-WITH GENERATOR)

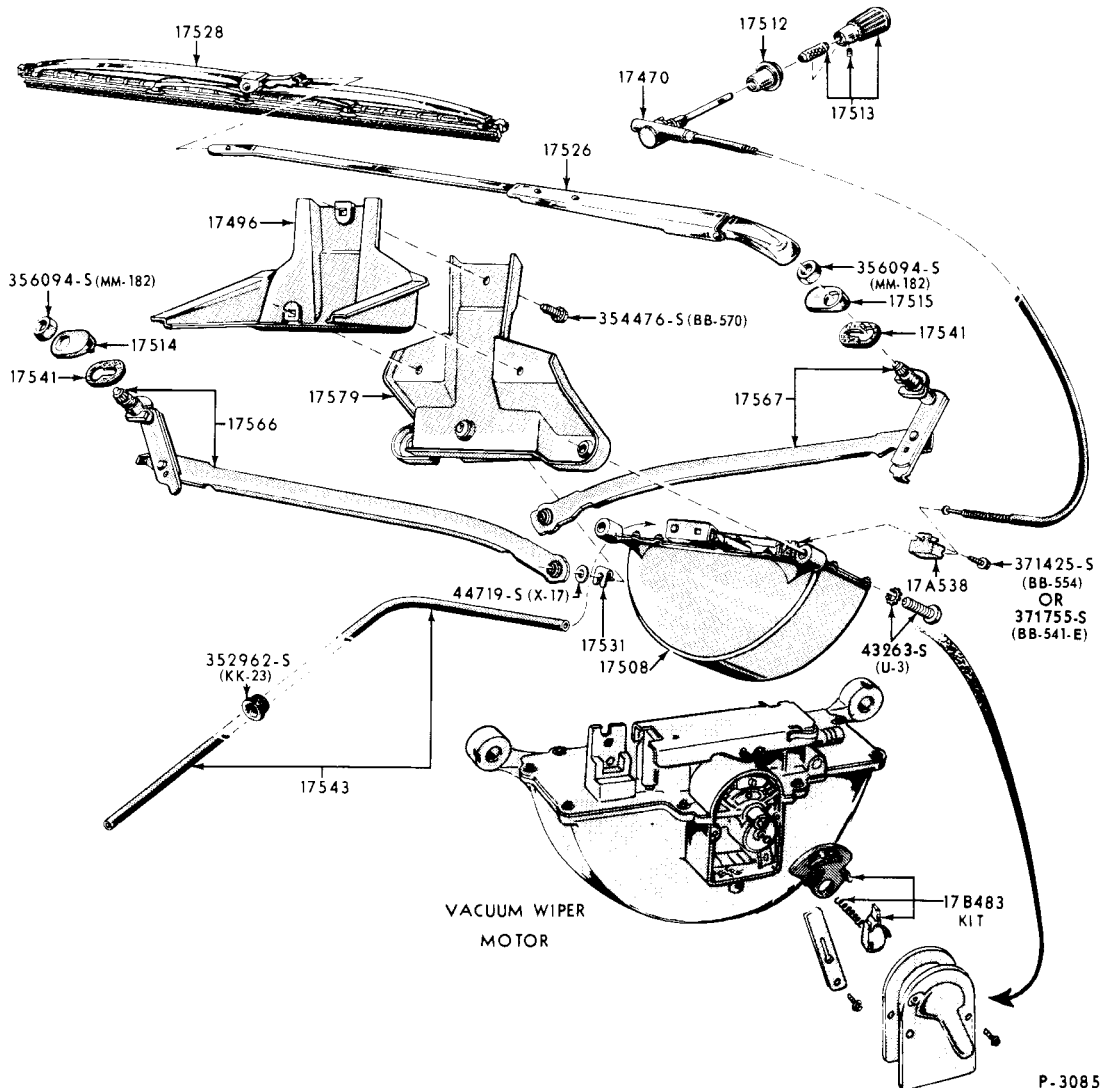
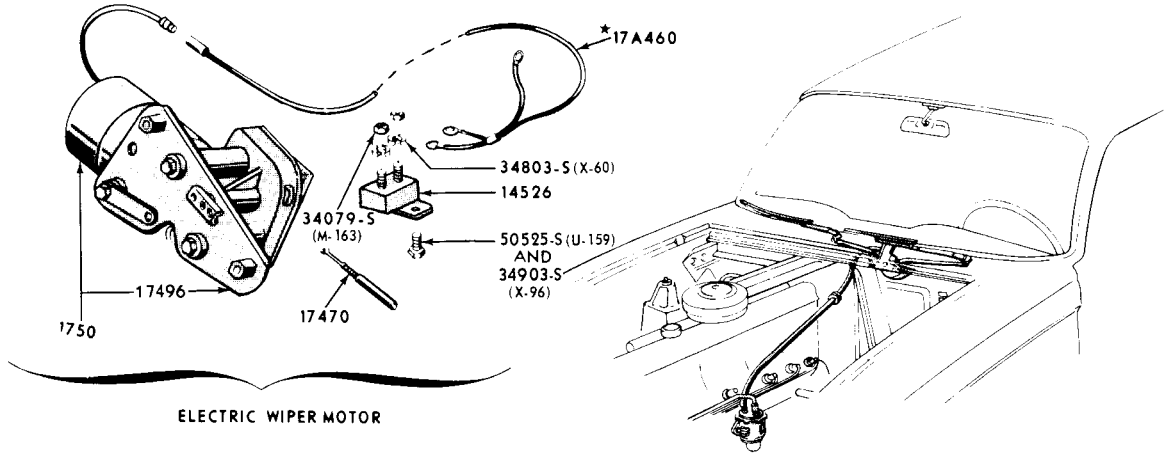


* SUPPLIED ONLY IN 17508 MOTOR ASSEMBLY

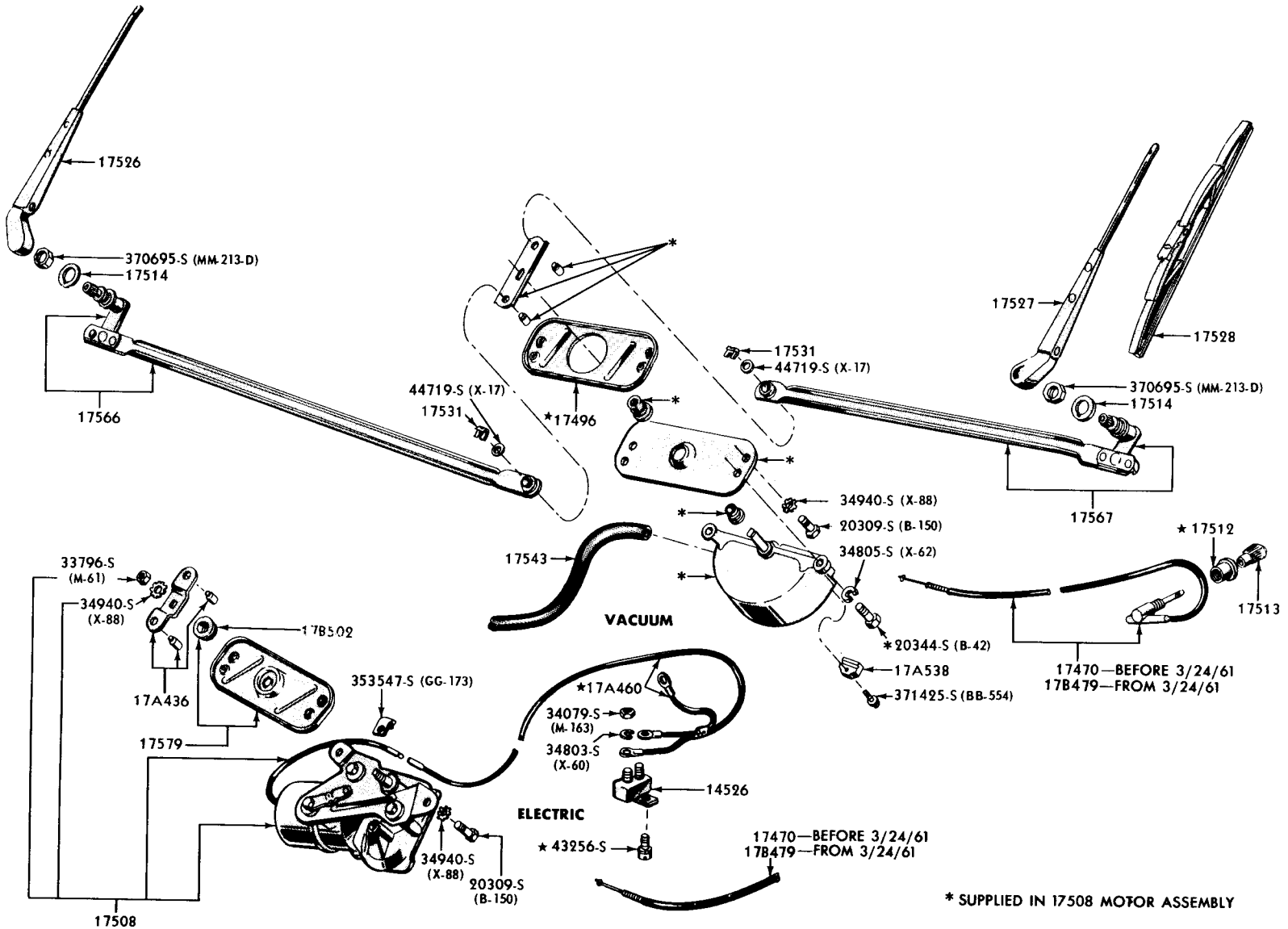
ELECTRIC WINDSHIELD WIPER MOTOR & RELATED PARTS
1960/61 FORD & FALCON 1961 THUNDERBIRD

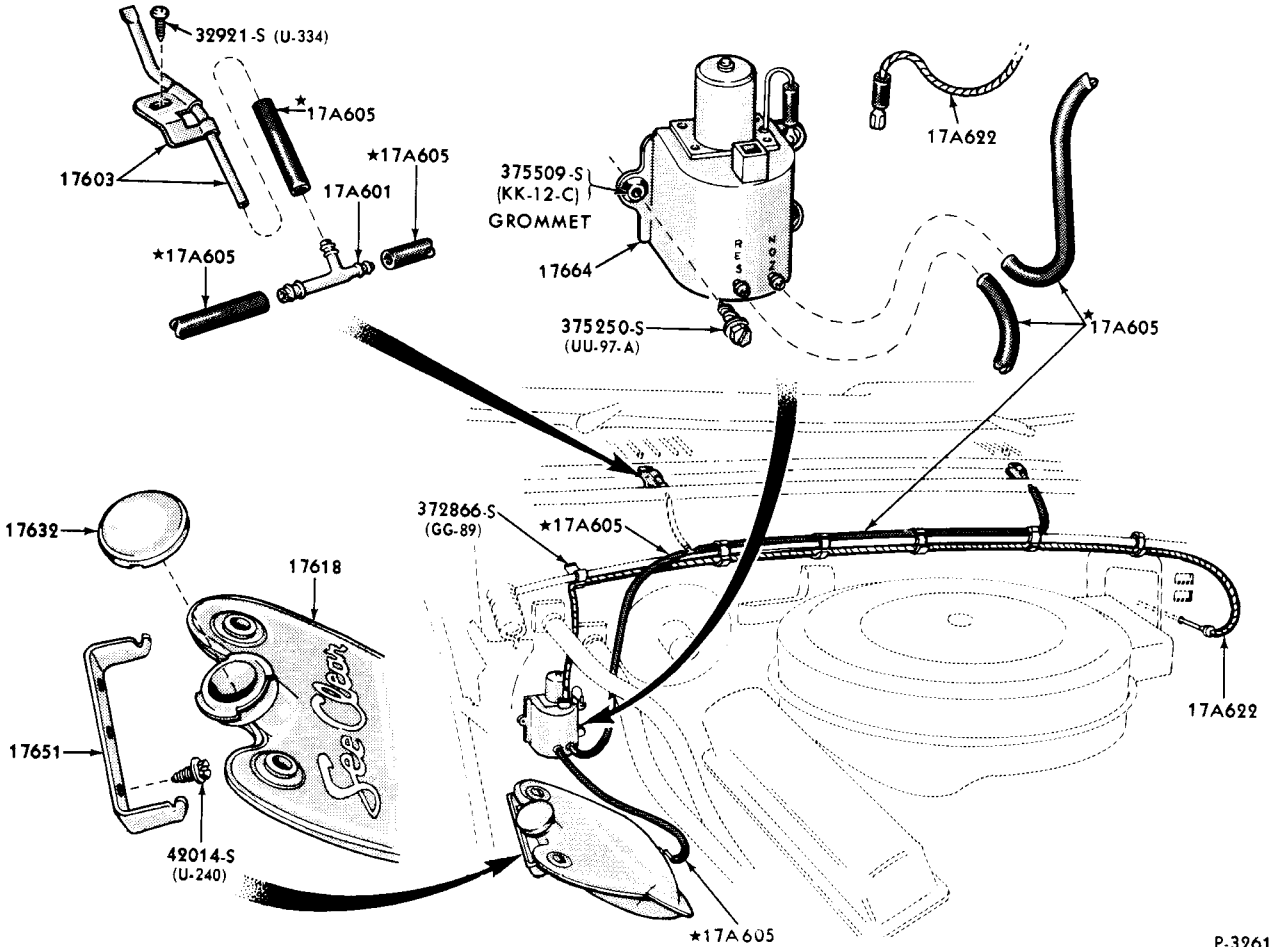
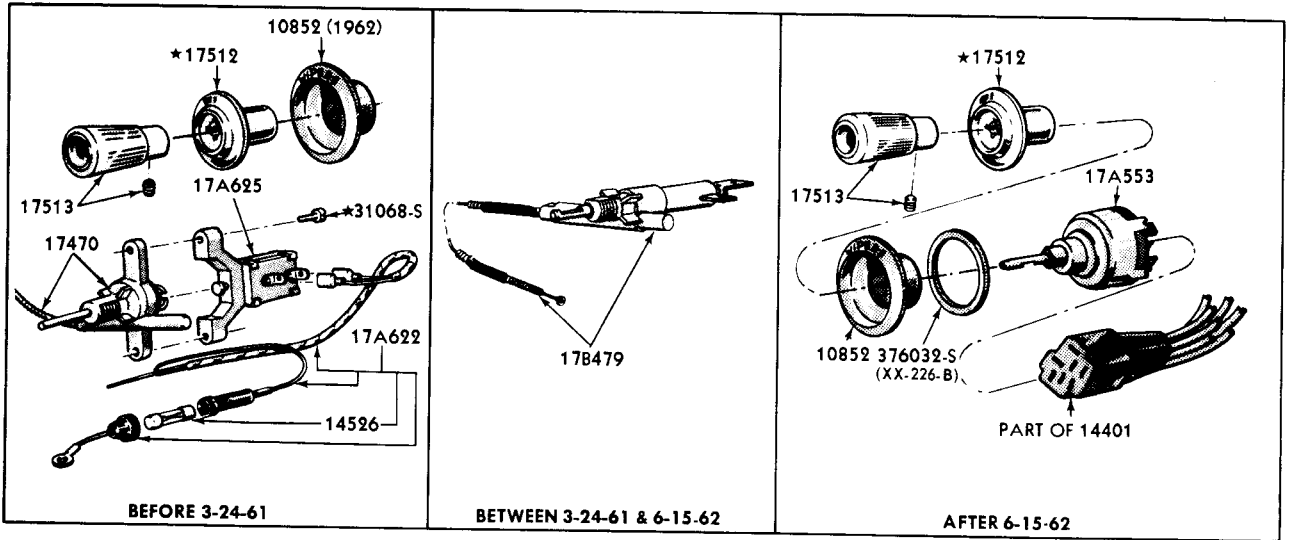




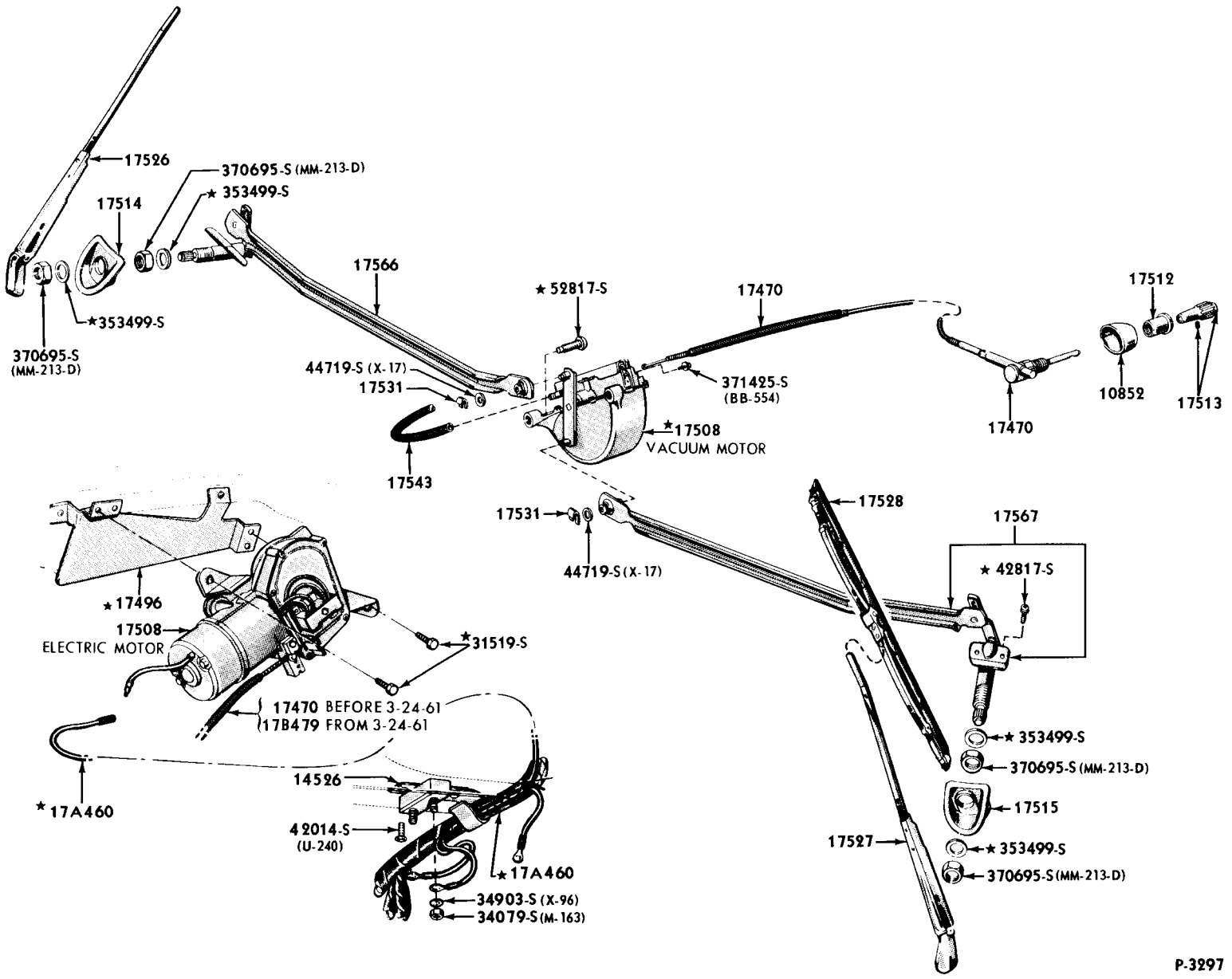


P-3085

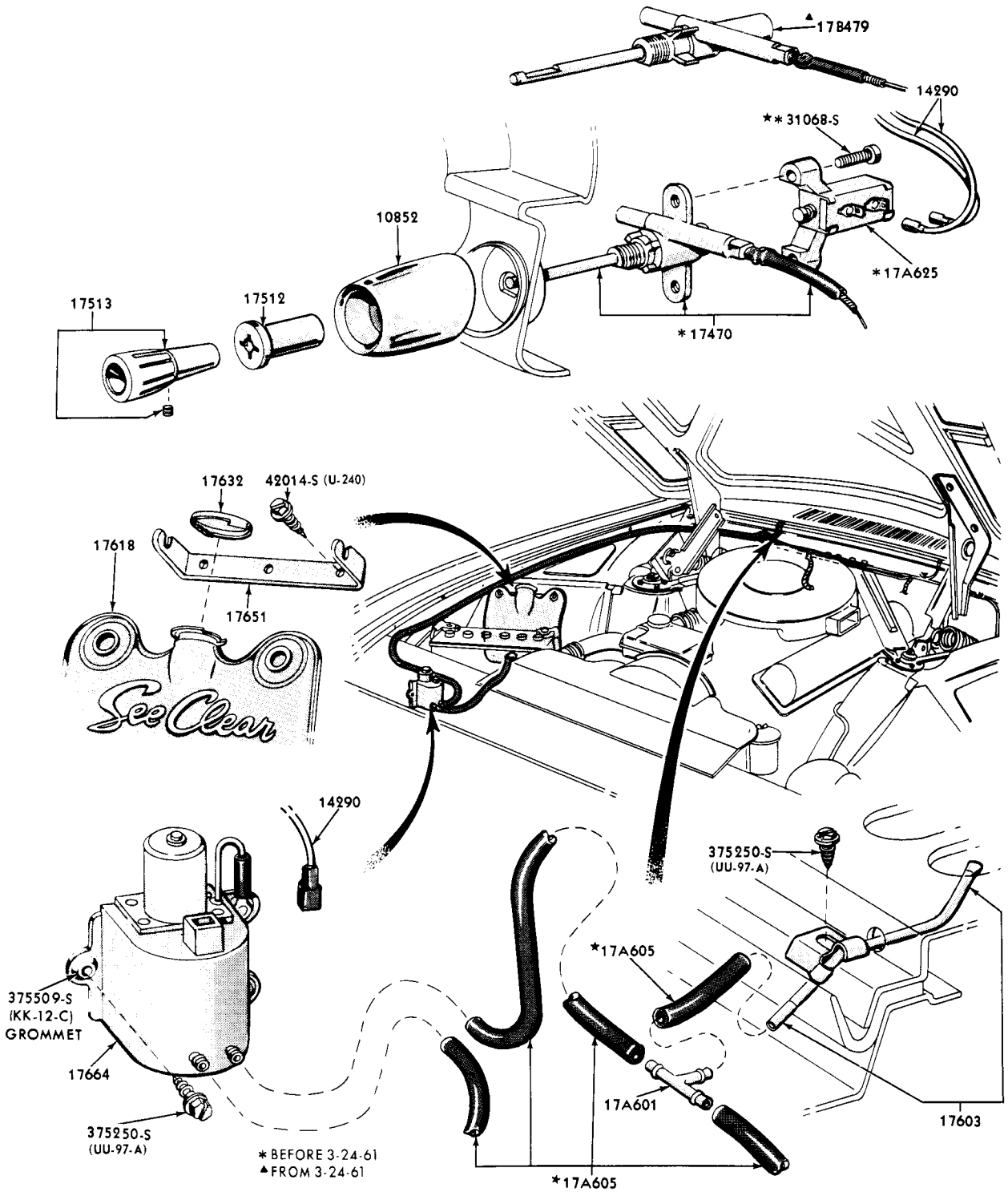




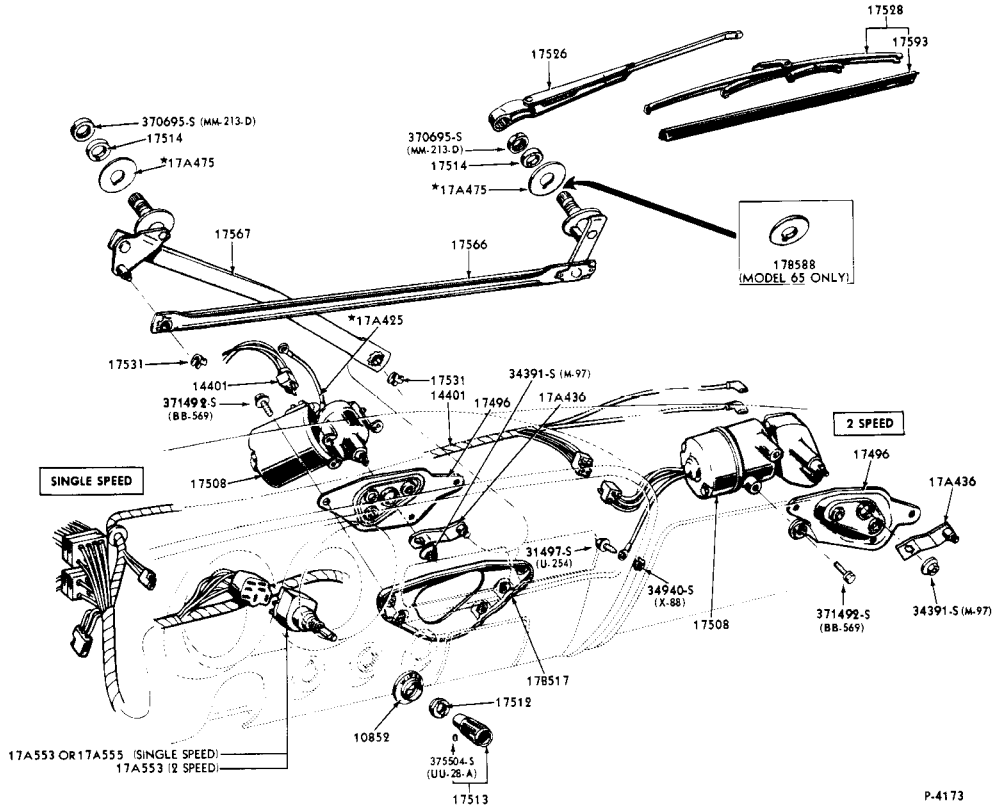
P-3261



1951/62 WINDSHIELD WIPER & RELATED PARTS (THUNDERBIRD)

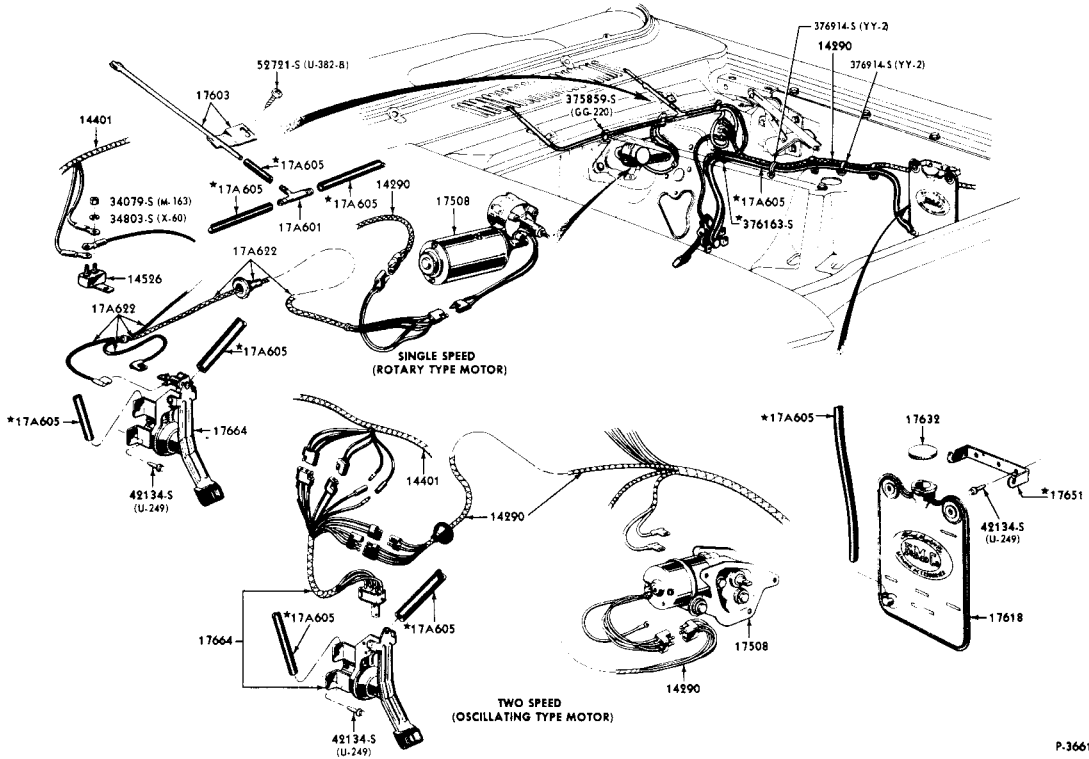


P-3281



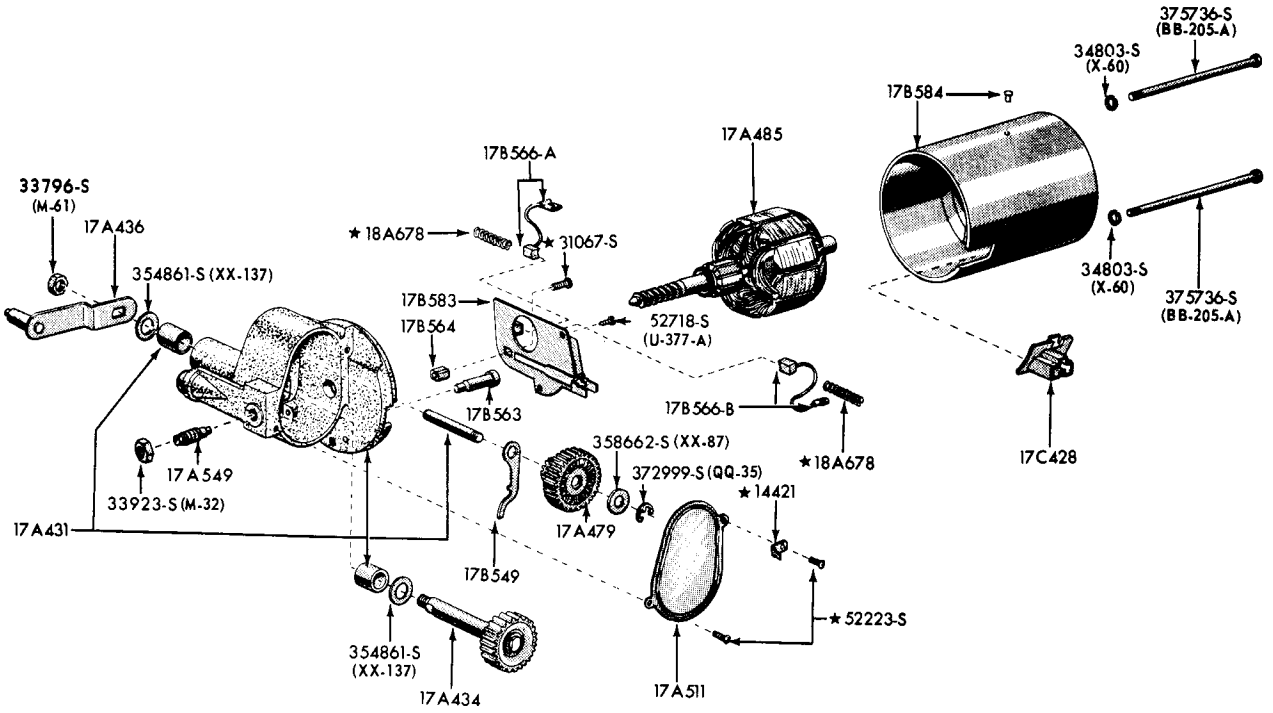
P-4173

1933/ WINDSHIELD WIPER (FAIRLANE)



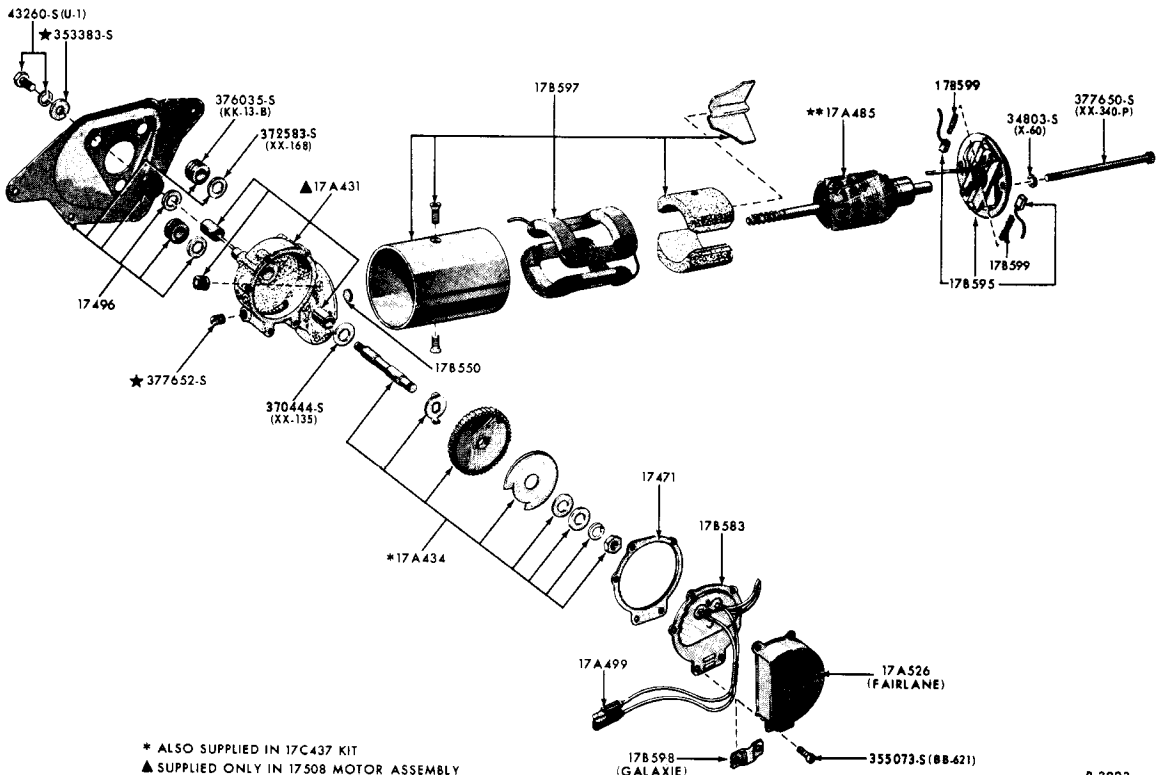
P-3661

1962/ WINDSHIELD WASHER (FAIRLANE)



P-3945

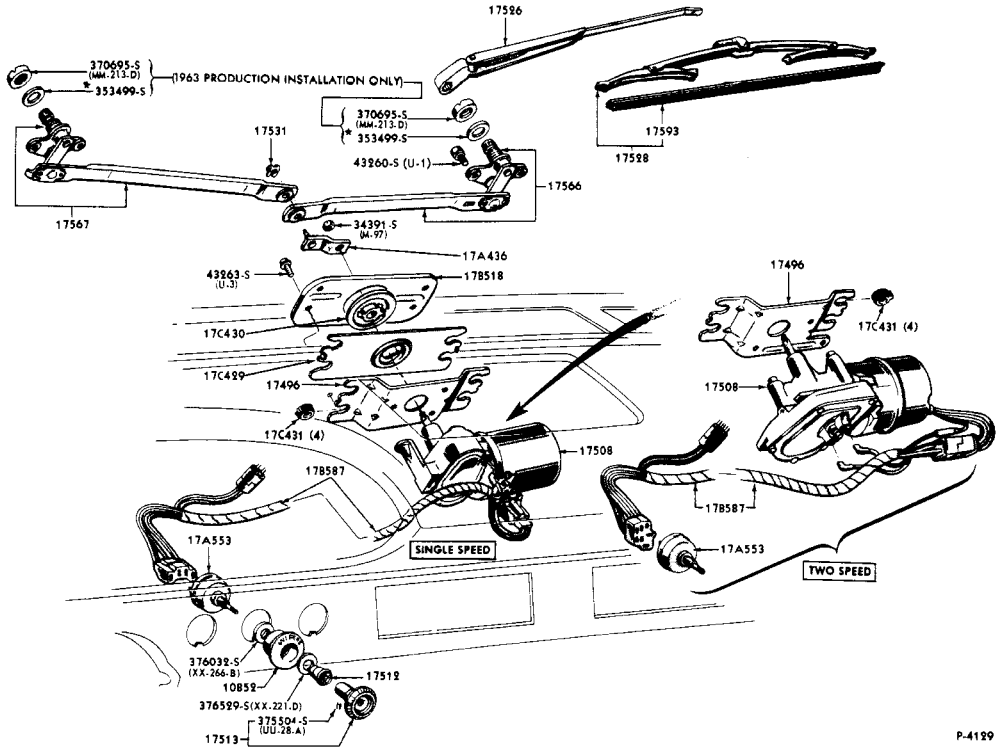
1963/64 WINDSHIELD WIPER ELECTRIC MOTOR -SINGLE SPEED FORD TYPE



* ALSO SUPPLIED IN 17C437 KIT
 ▲ SUPPLIED ONLY IN 17508 MOTOR ASSEMBLY

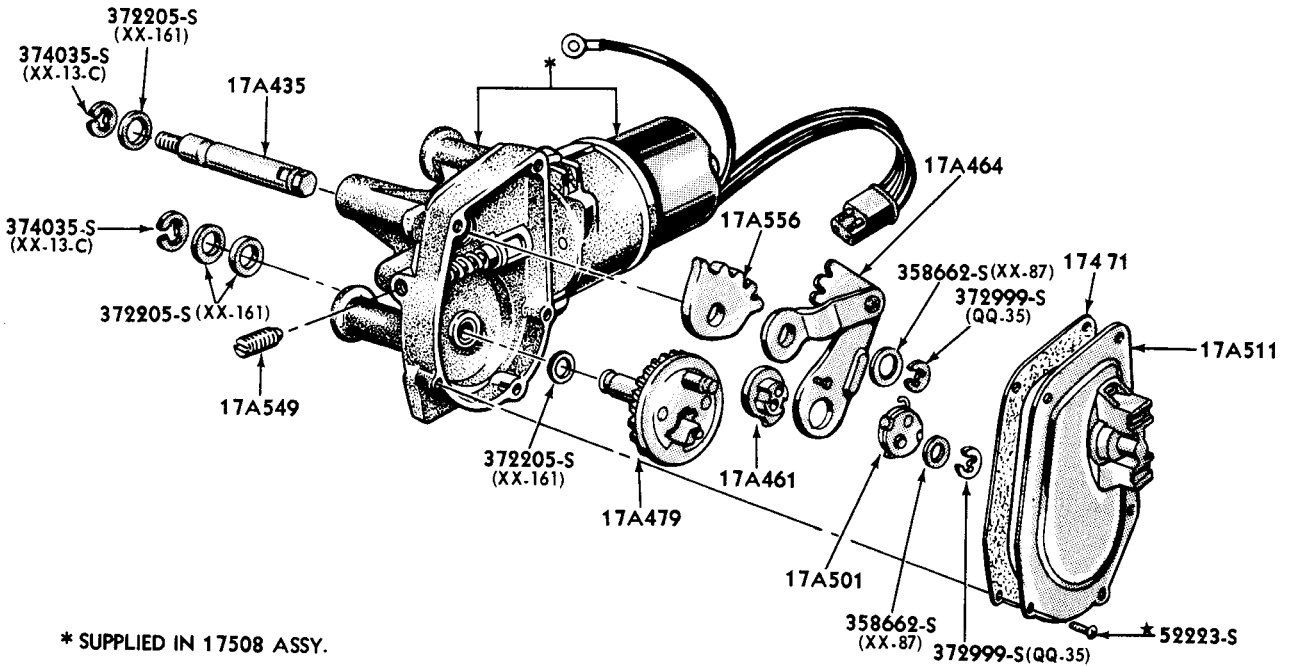
P-3923

1962 WINDSHIELD WIPER ELECTRIC MOTOR-SINGLE SPEED AUTOLITE TYPE

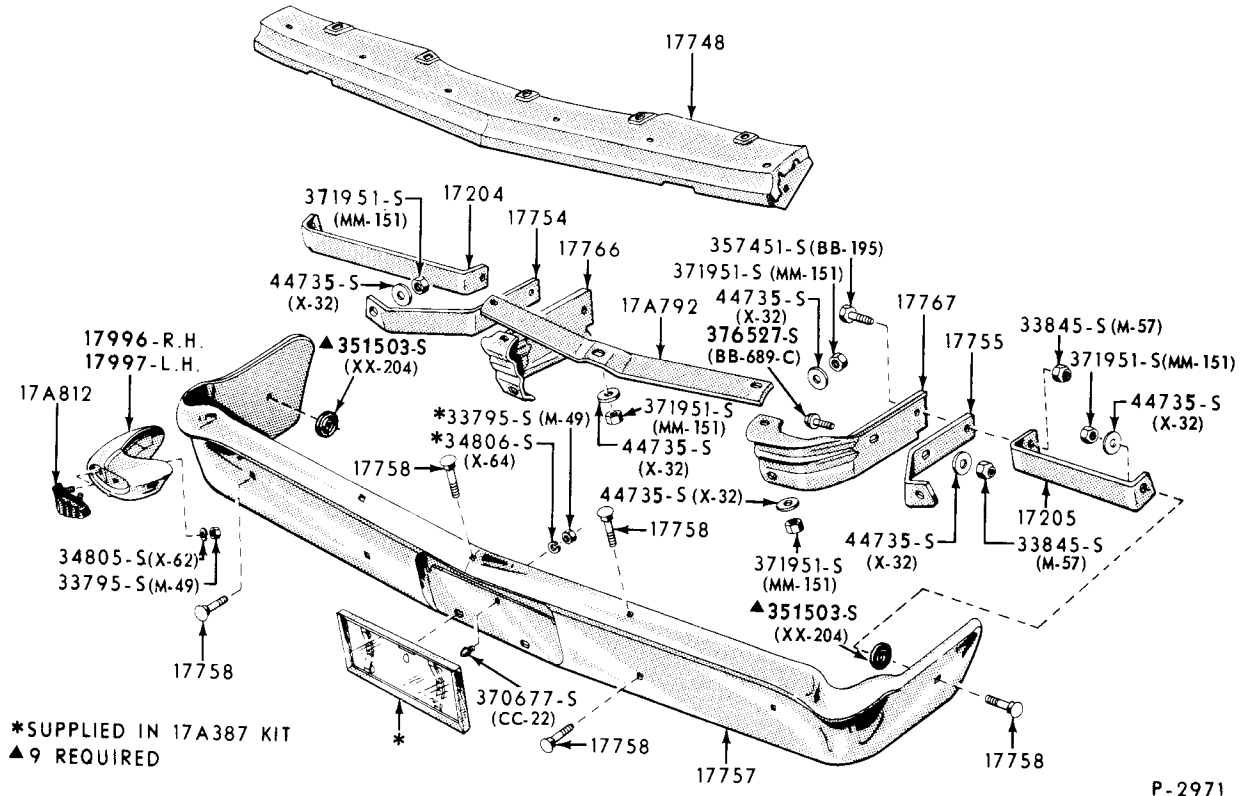


P-4199

1963/64 WINDSHIELD WIPER (FORD)

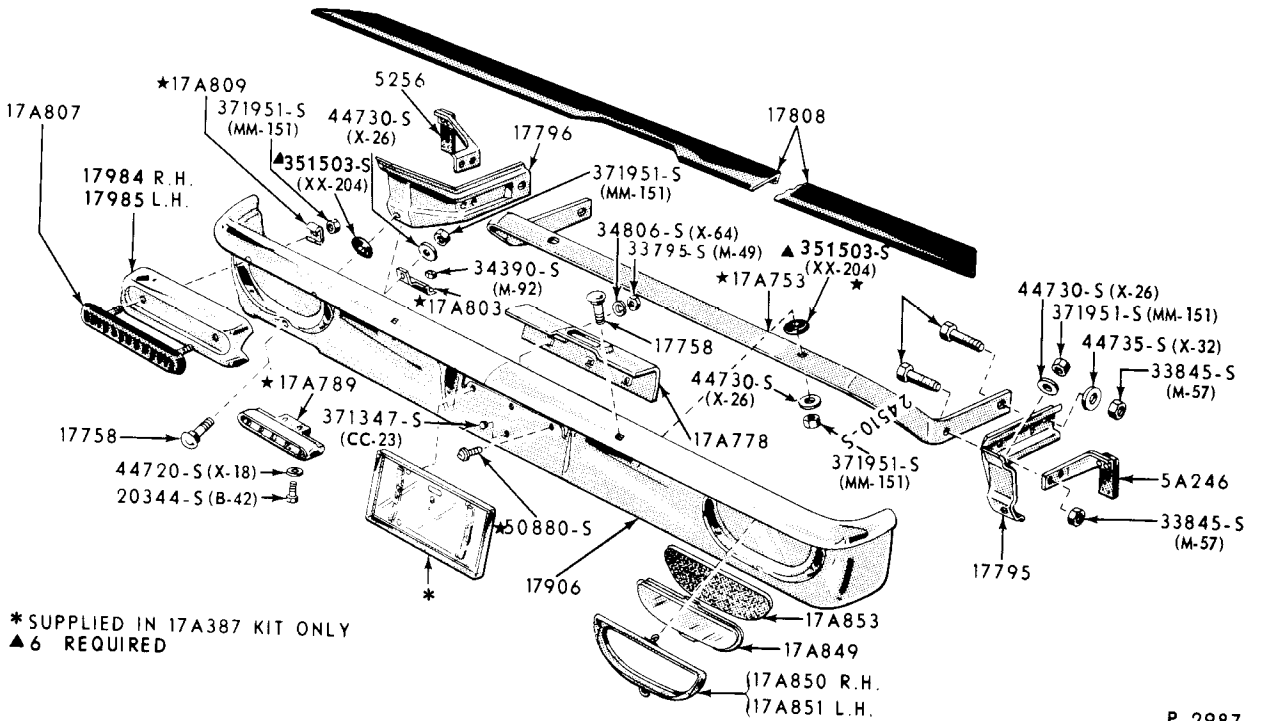


P-4200



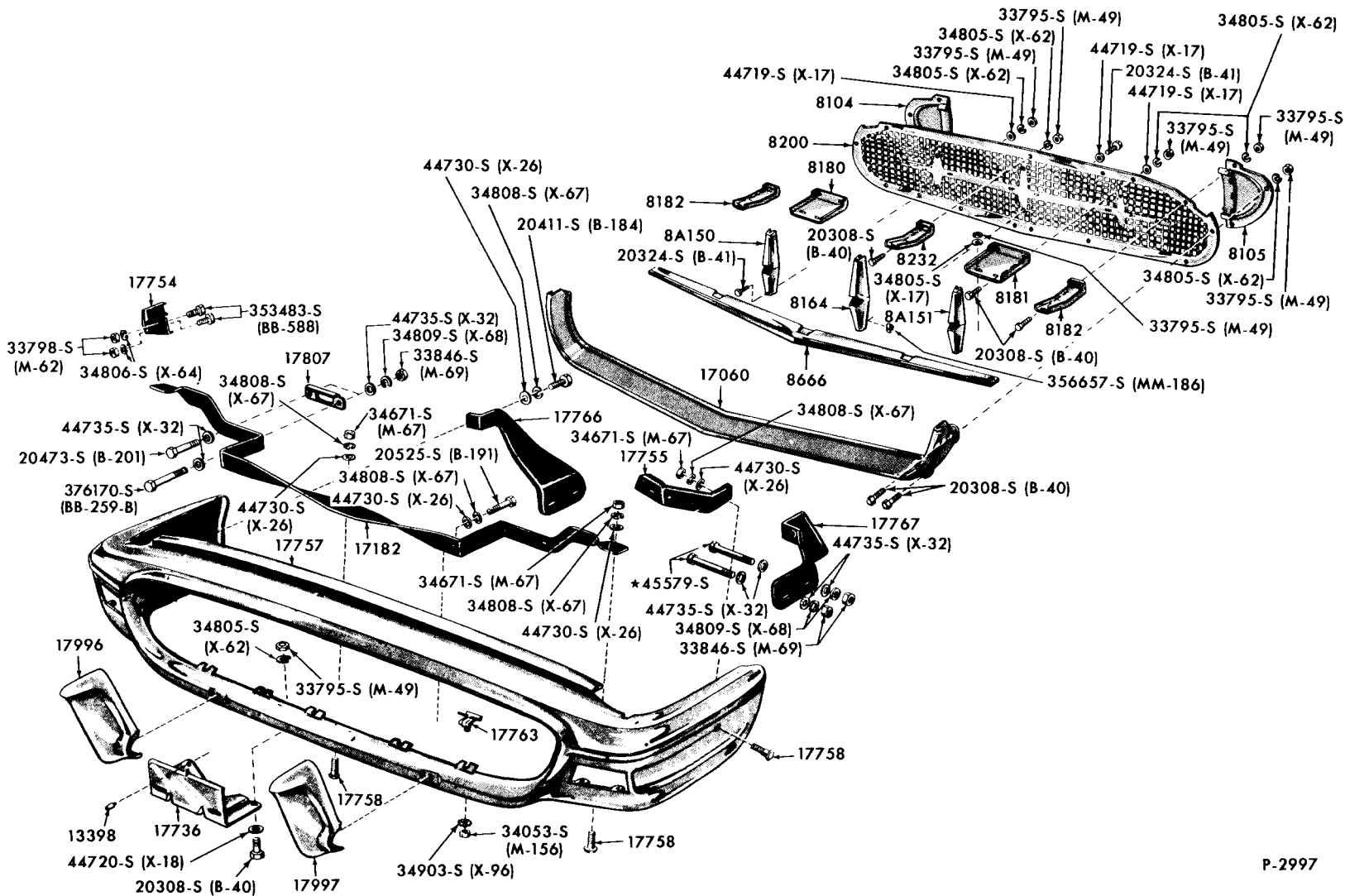
1960 FRONT BUMPER & RELATED PARTS (FORD)

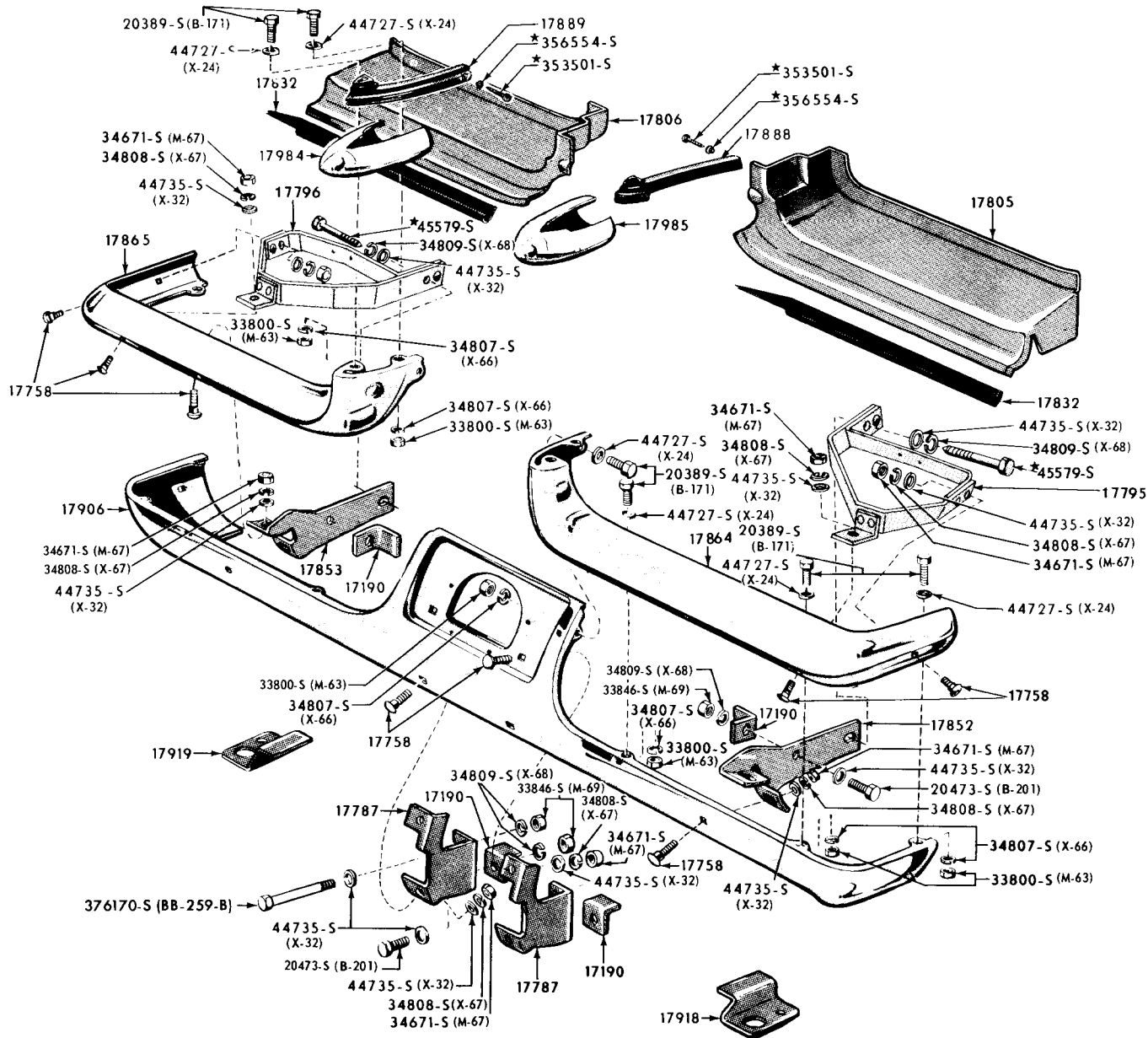
P-2971



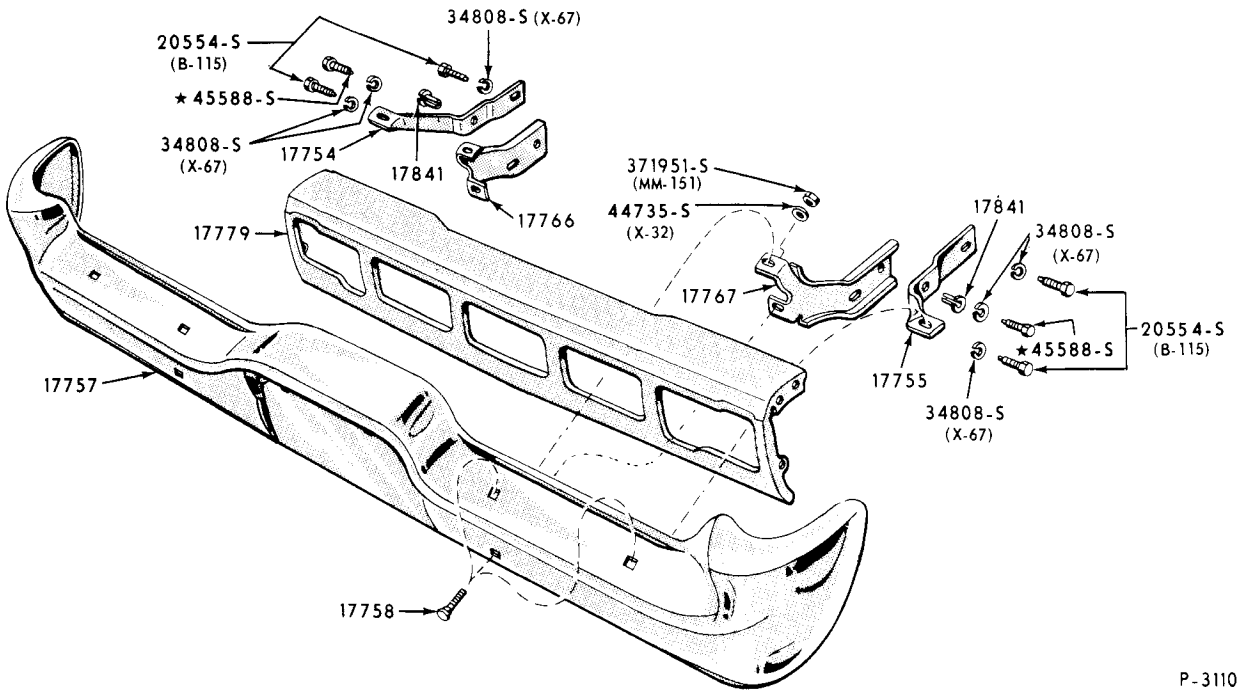
1960 REAR BUMPER & RELATED PARTS (FORD)-EXCEPT WITH SPARE WHEEL CARRIER FOR SPARE WHEEL CARRIER ILLUSTRATION, SEE ILLUSTRATION SECTION 10

P-2987



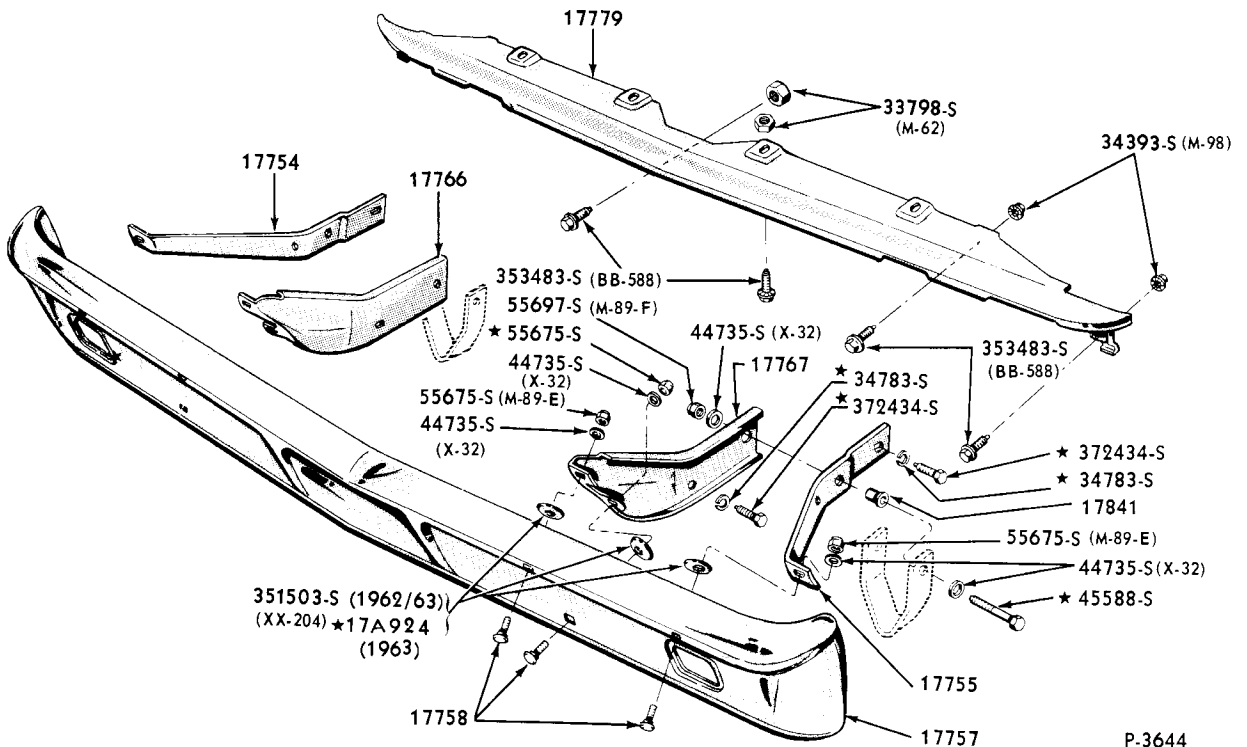


1960 REAR BUMPER-EXCEPT WITH SPARE WHEEL CARRIER (THUNDERBIRD)
 FOR SPARE WHEEL CARRIER ILLUSTRATION, SEE ILLUSTRATION SECTION 10



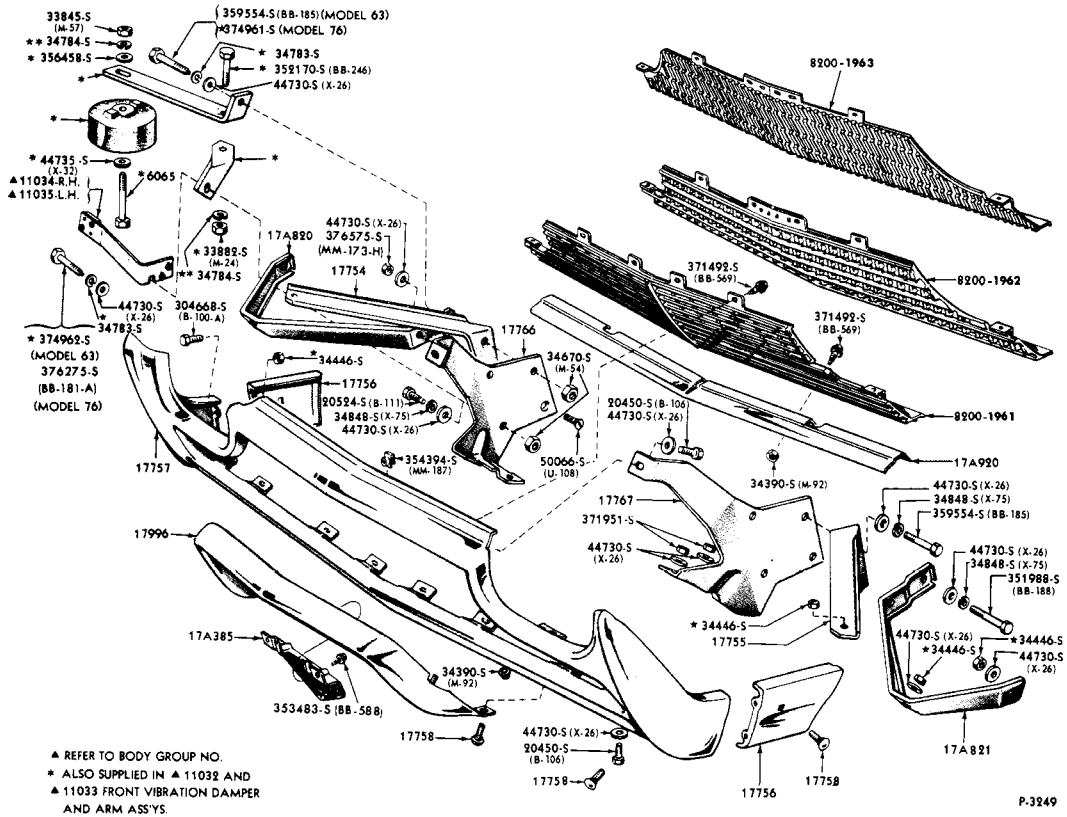
P-3110

1960/61 FRONT BUMPER & RELATED PARTS (FALCON)

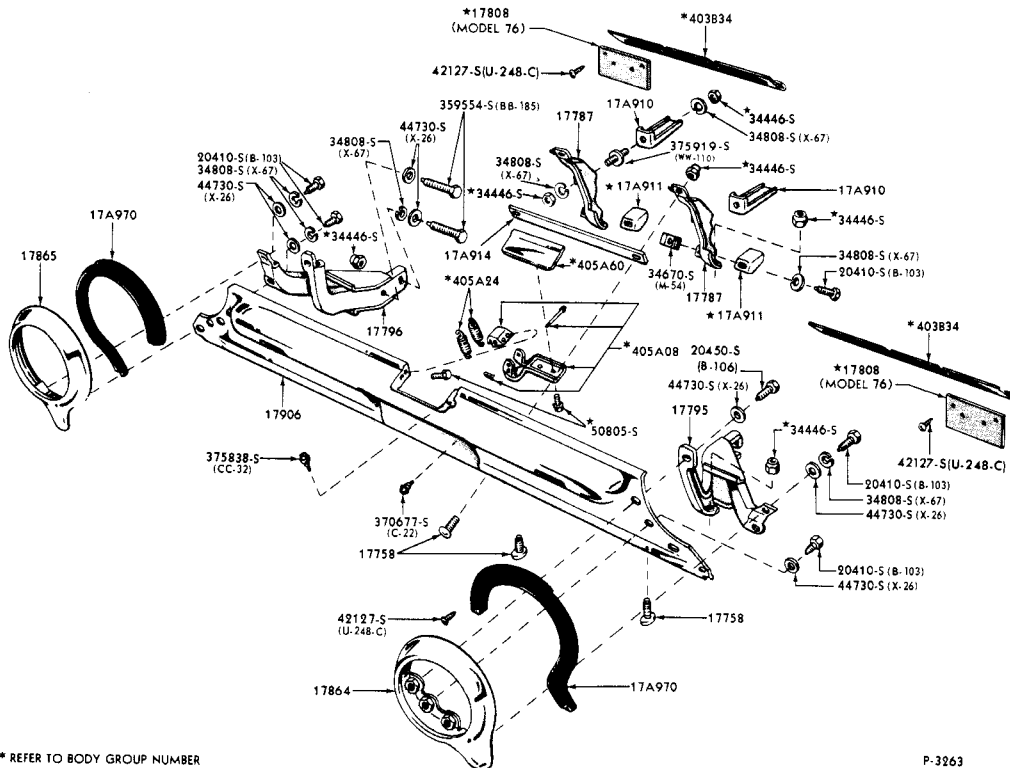


P-3644

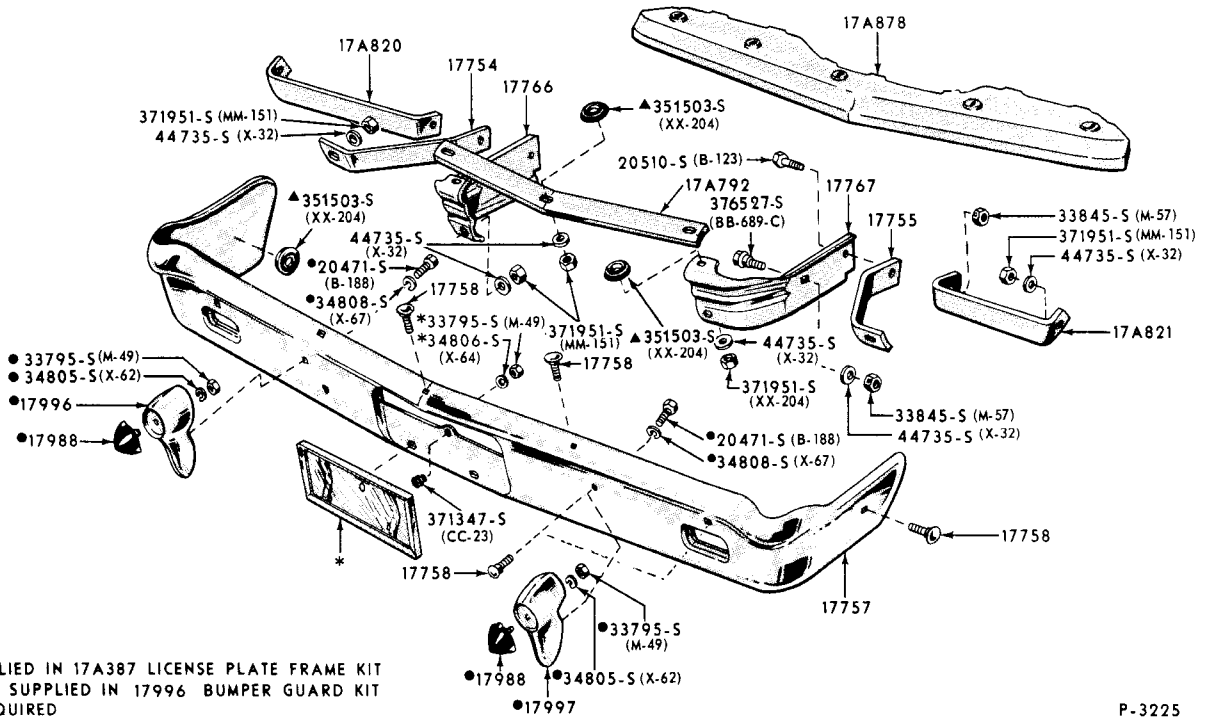
1962/63 FRONT BUMPER & RELATED PARTS (FALCON)



1961/63 FRONT BUMPER, RADIATOR GRILLE and RELATED PARTS (THUNDERBIRD)

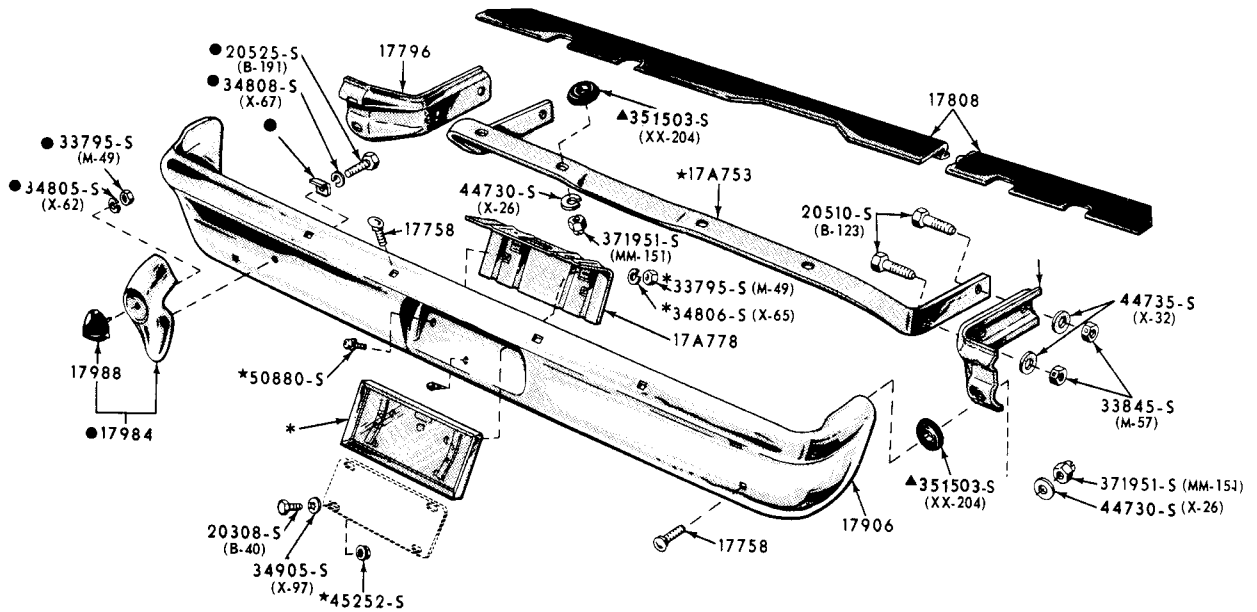


1961/63 REAR BUMPER and RELATED PARTS (THUNDERBIRD)



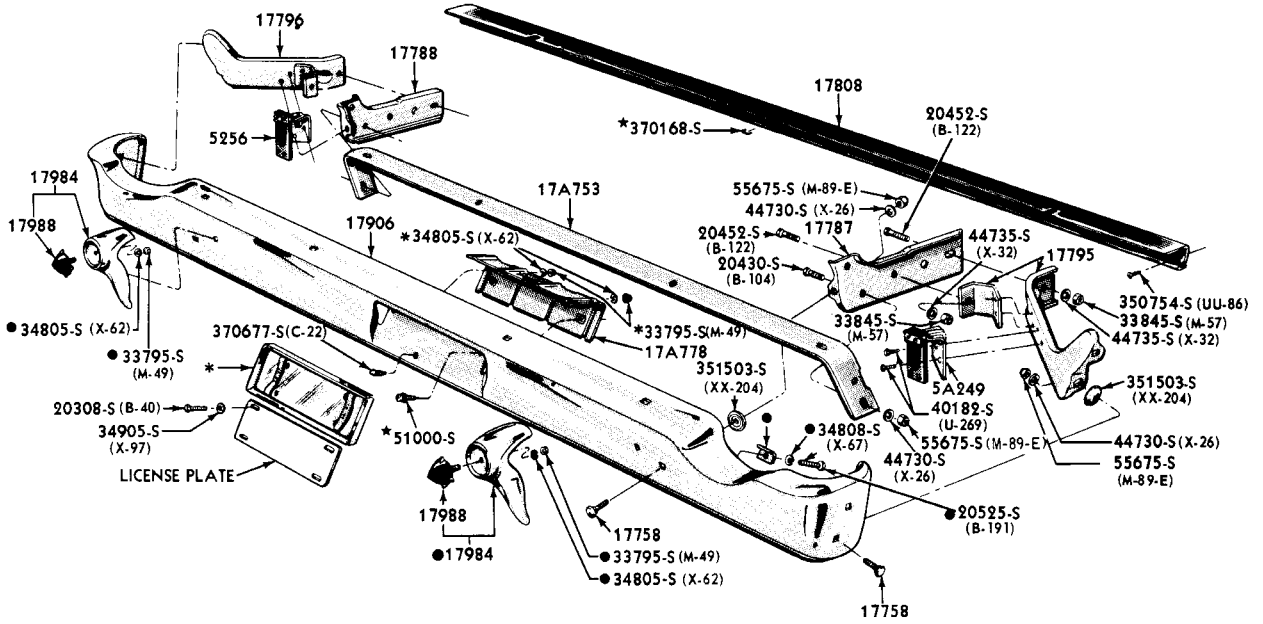
P-3225

FRONT BUMPER and RELATED PARTS
 1961/62 FORD



P-3226

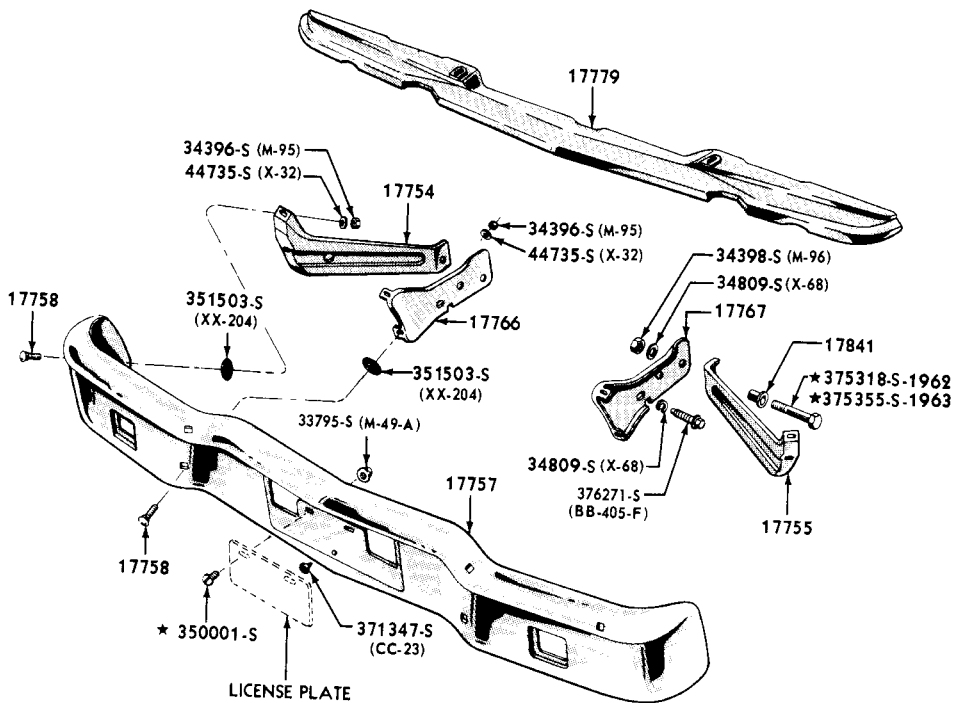
1961 REAR BUMPER & RELATED PARTS (FORD)-EXCEPT WITH SPARE WHEEL CARRIER
 FOR SPARE WHEEL CARRIER ILLUSTRATION, SEE ILLUSTRATION SECTION 10



* SUPPLIED IN 17A387 LICENSE PLATE FRAME KIT
 ● ALSO SUPPLIED IN 17984 BUMPER GUARD KIT

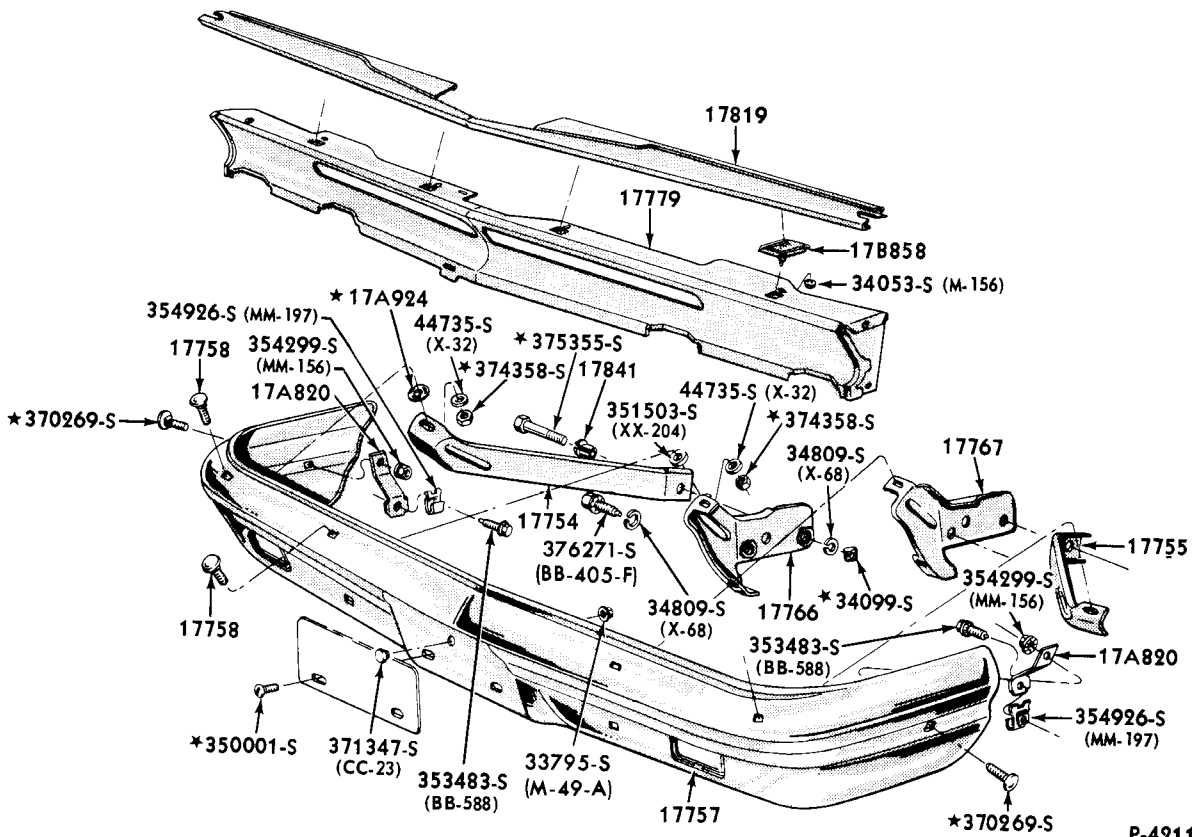
P-3638

1962 REAR BUMPER and RELATED PARTS (FORD)



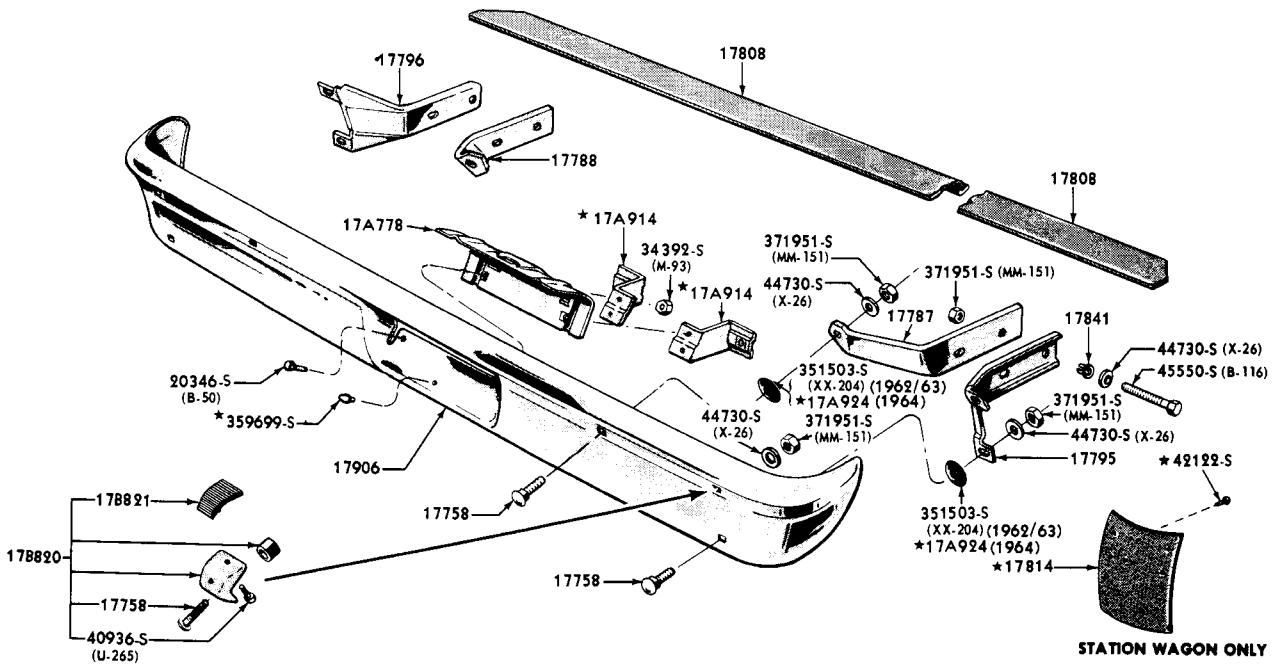
1962/63 FRONT BUMPER and RELATED PARTS (FAIRLANE)-TYPICAL

P-3710



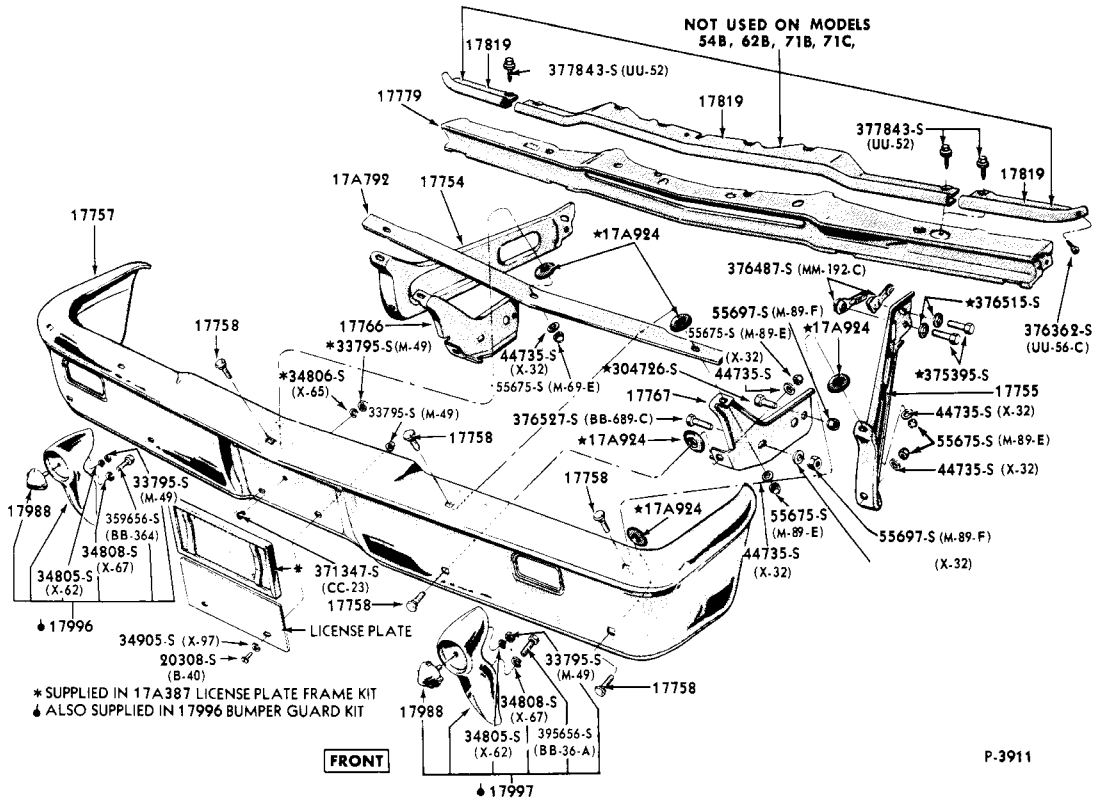
1964 FRONT BUMPER and RELATED PARTS (FAIRLANE)

P-4211

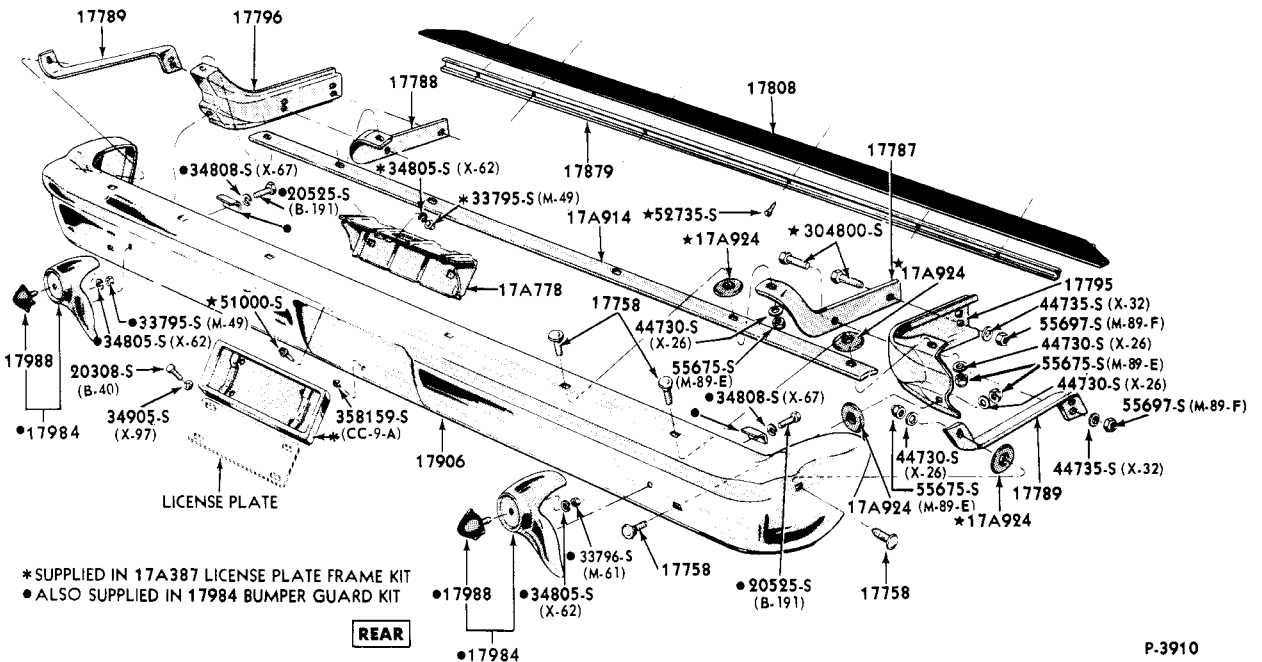


1962/64 REAR BUMPER and RELATED PARTS (FAIRLANE)

P-3646

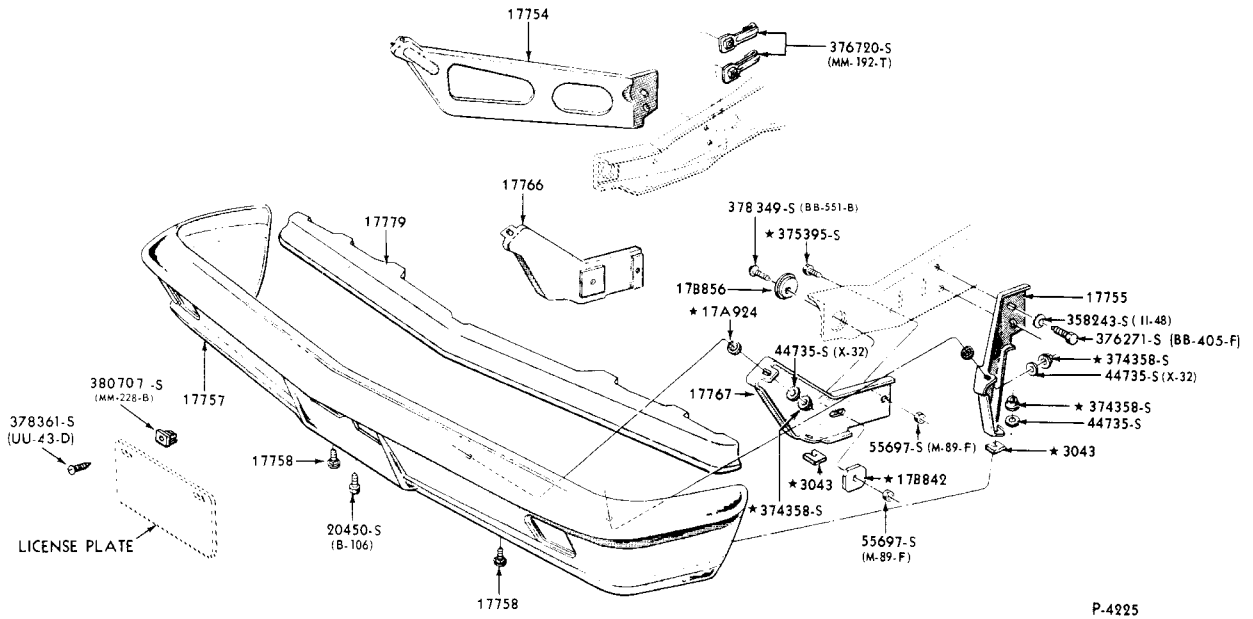


1963 FRONT BUMPER and RELATED PARTS (FORD)



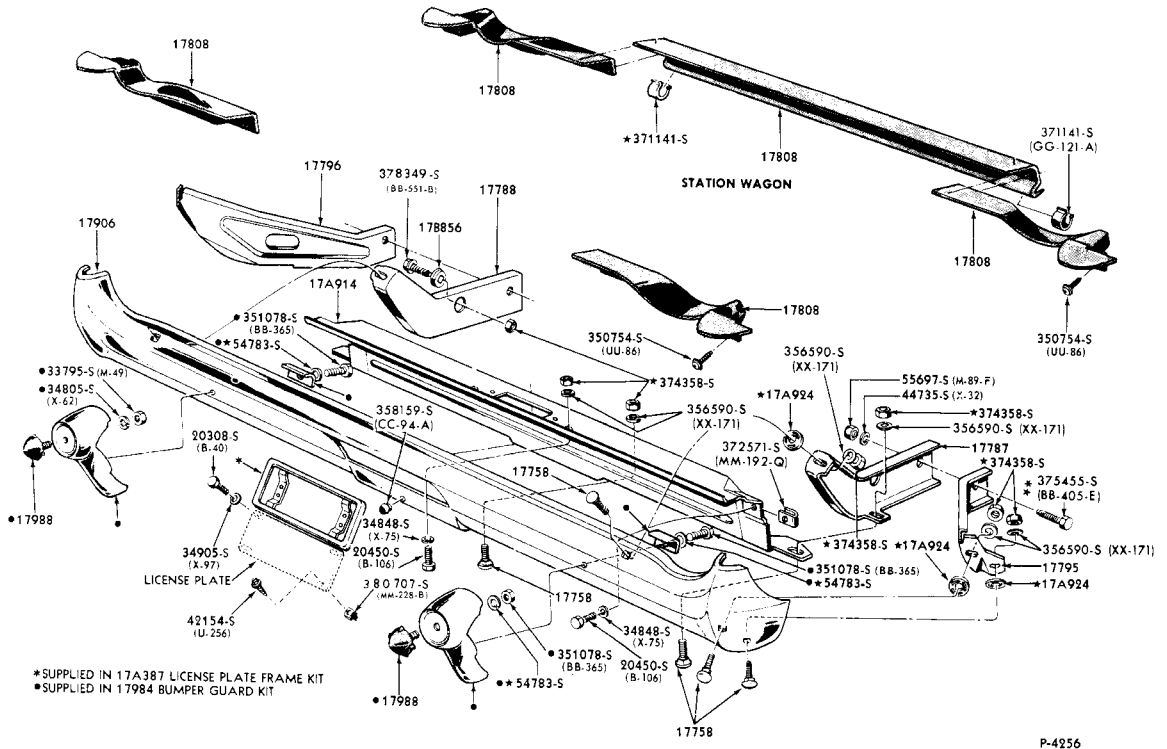
1963 REAR BUMPER and RELATED PARTS (FORD)

FORD CAR PARTS



P-4925

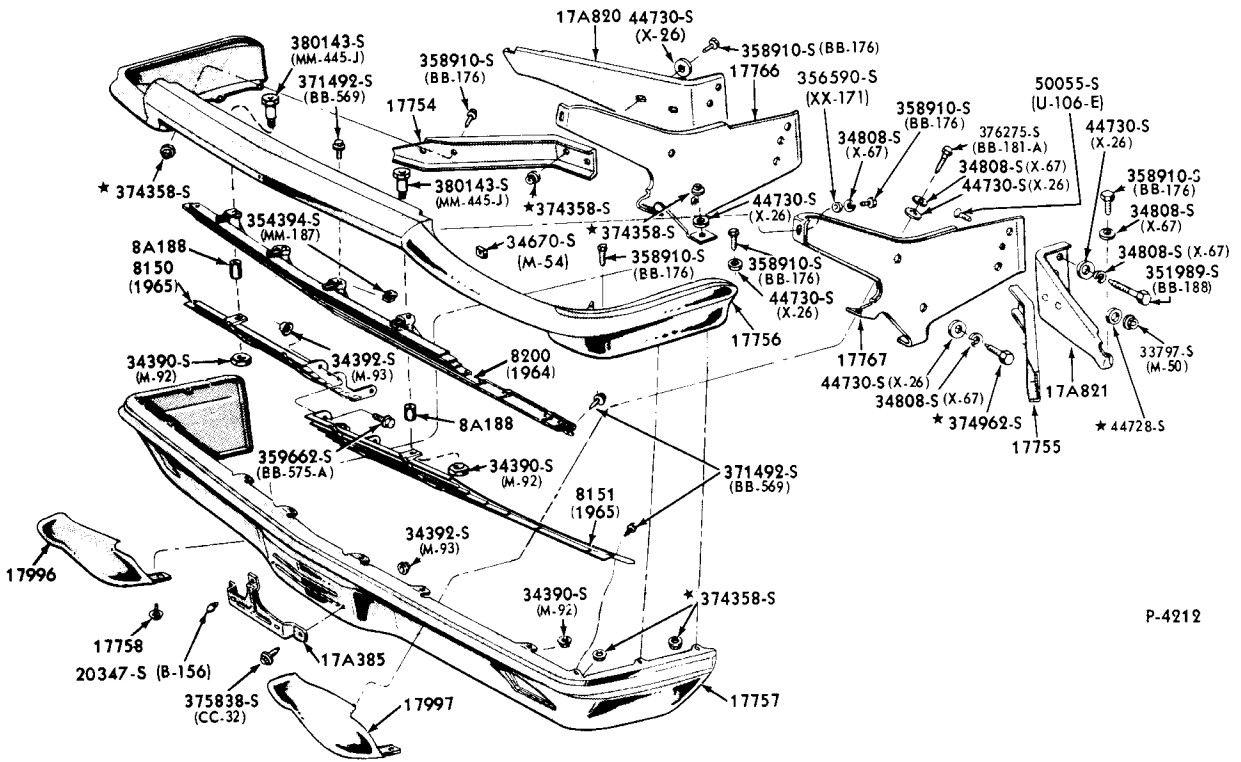
1964 FRONT BUMPER and RELATED PARTS (FORD)



*SUPPLIED IN 17A387 LICENSE PLATE FRAME KIT
 *SUPPLIED IN 17984 BUMPER GUARD KIT

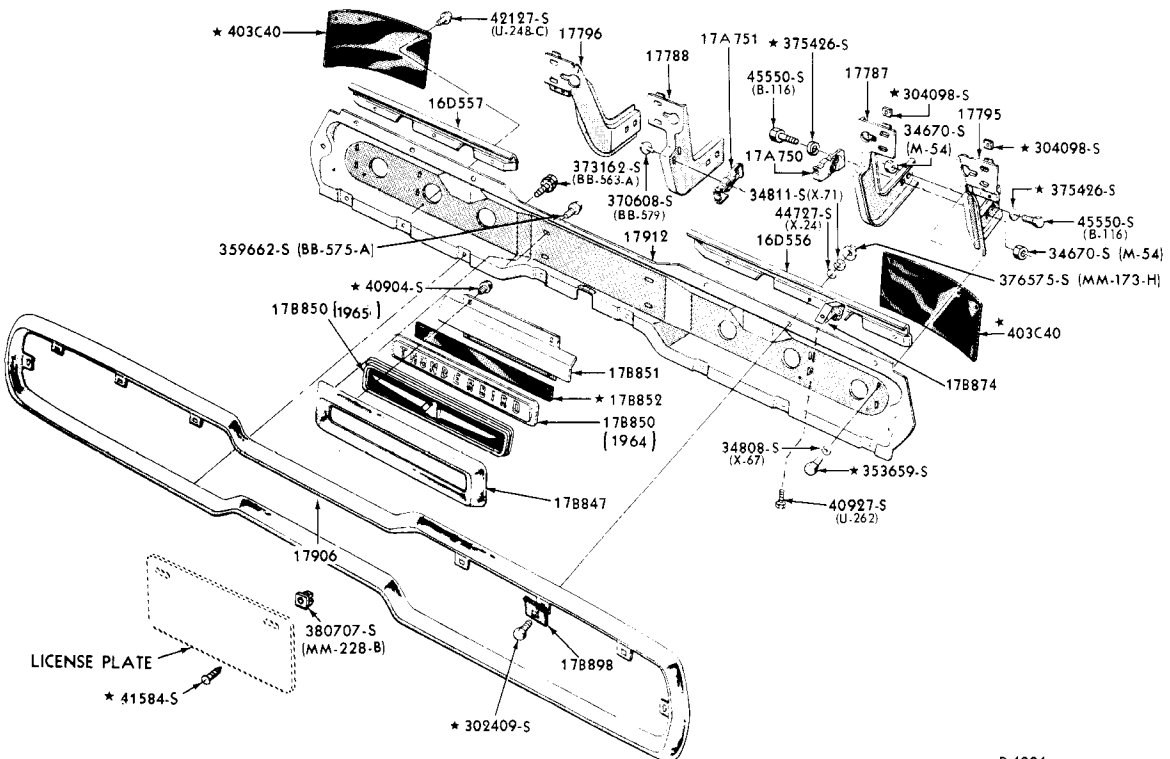
P-4256

1964 REAR BUMPER and RELATED PARTS (FORD)



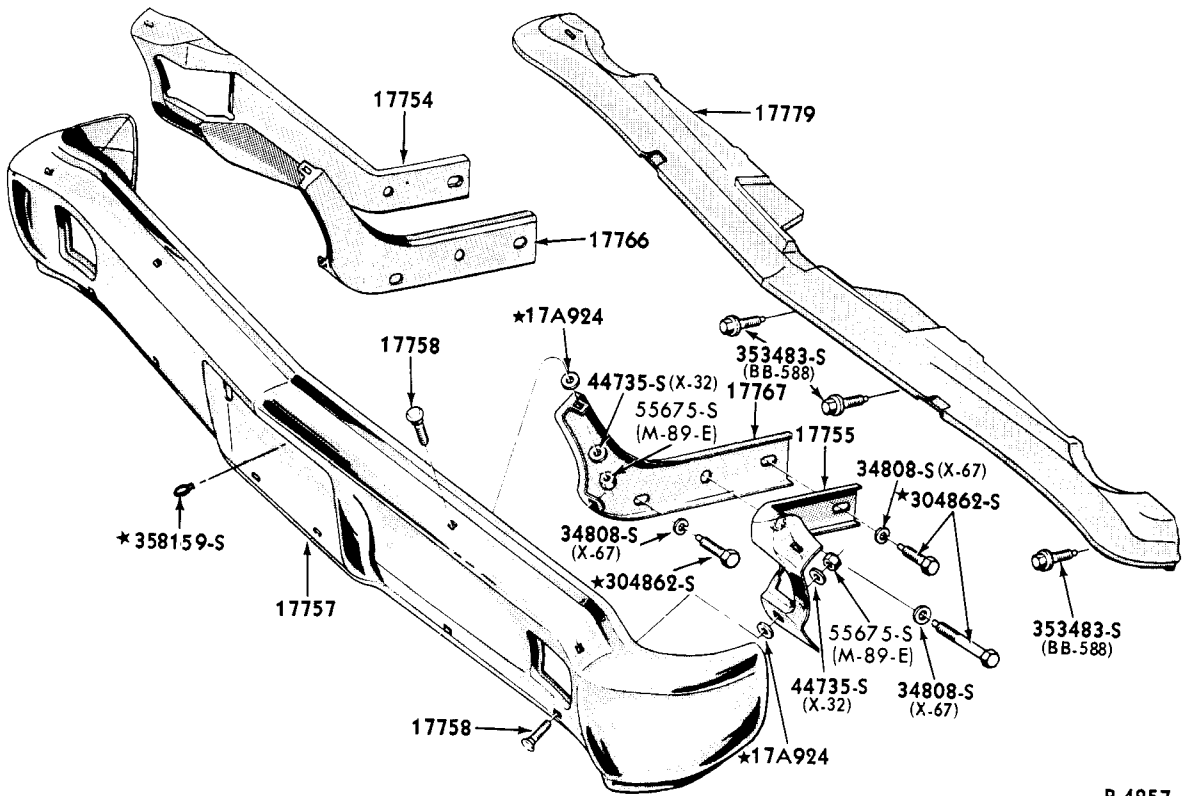
P-4212

1964/ FRONT BUMPER, RADIATOR GRILLE and RELATED PARTS (THUNDERBIRD)



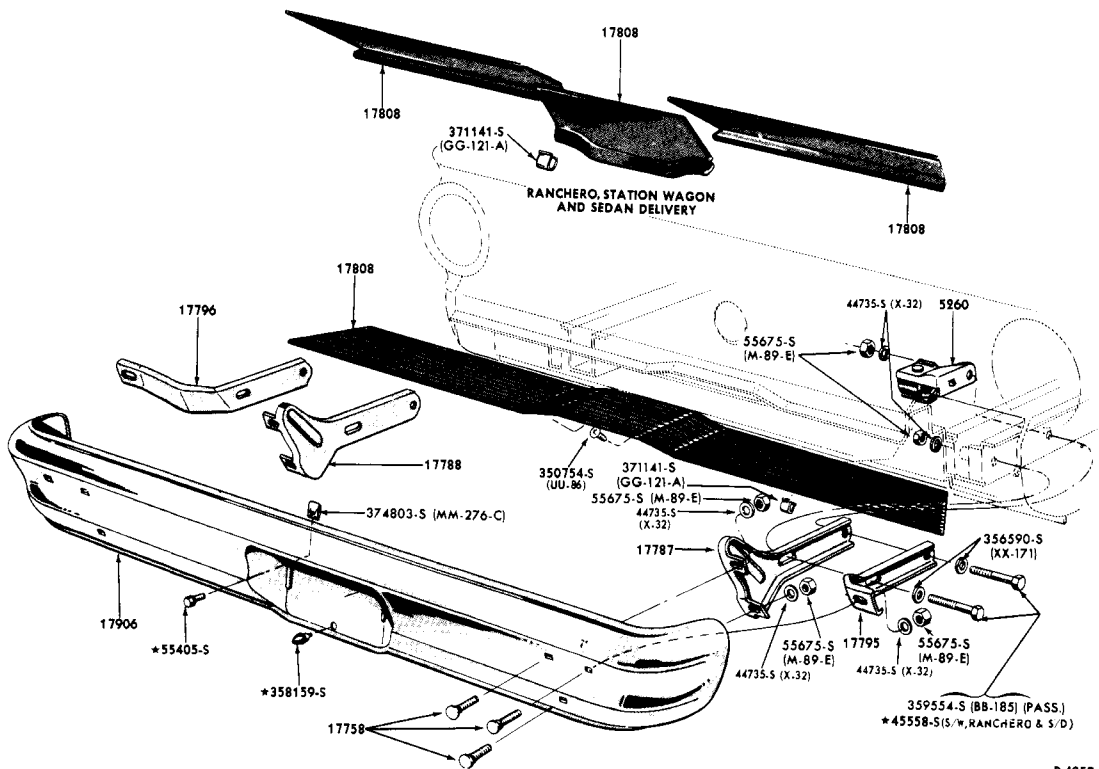
P-4226

1964/ REAR BUMPER & RELATED PARTS (THUNDERBIRD)



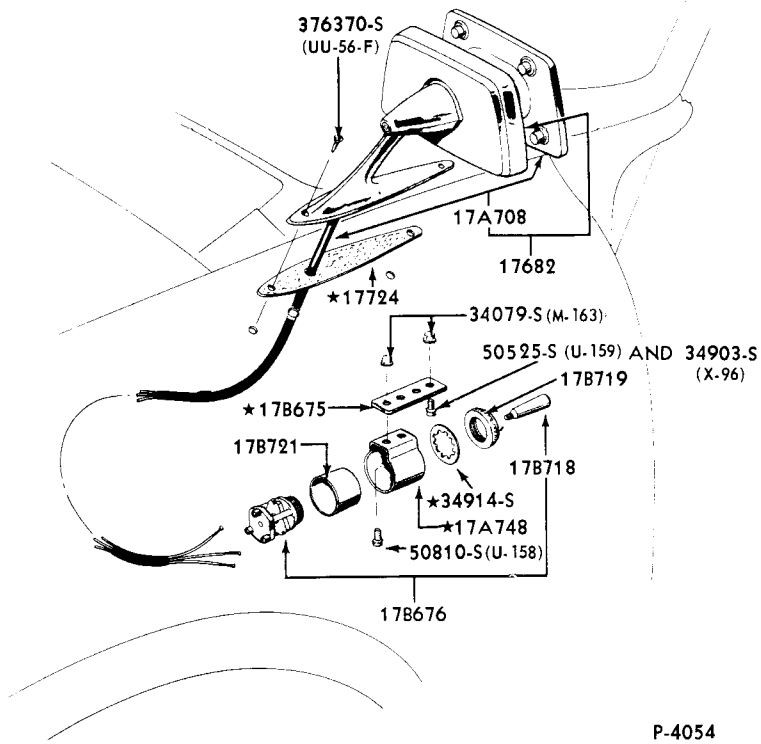
P-4257

1964/ FRONT BUMPER and RELATED PARTS (FALCON)

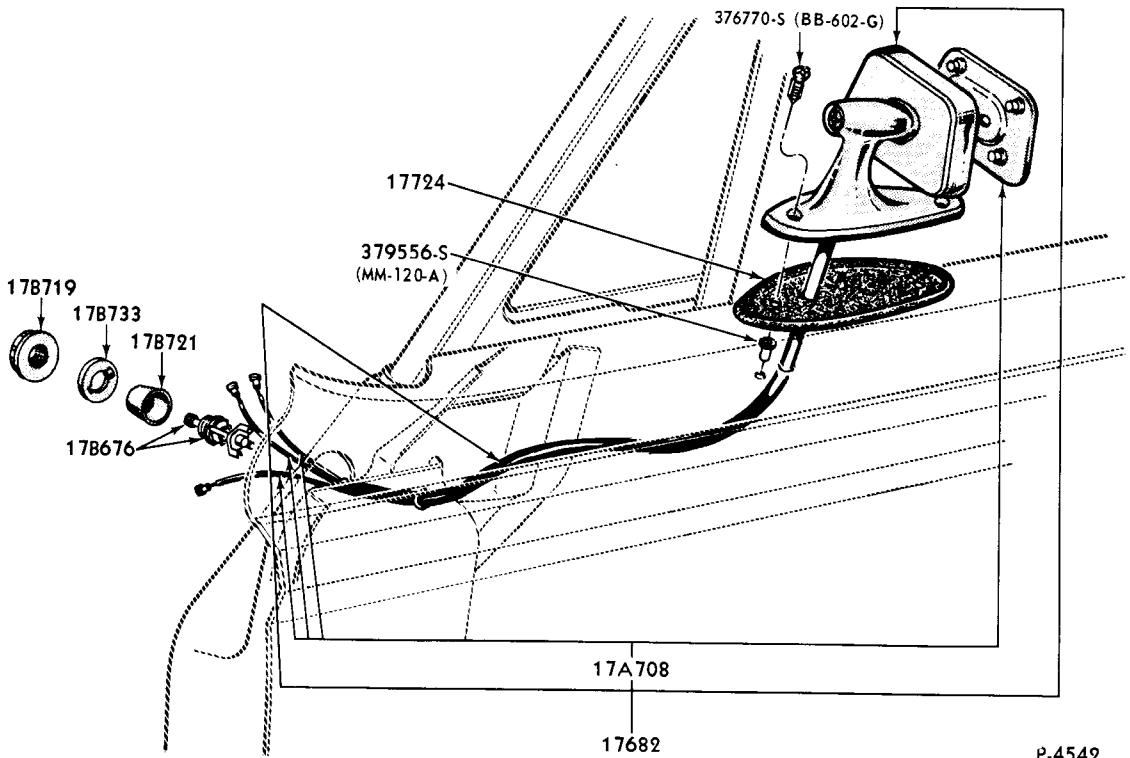


1964/ REAR BUMPER and RELATED PARTS (FALCON)

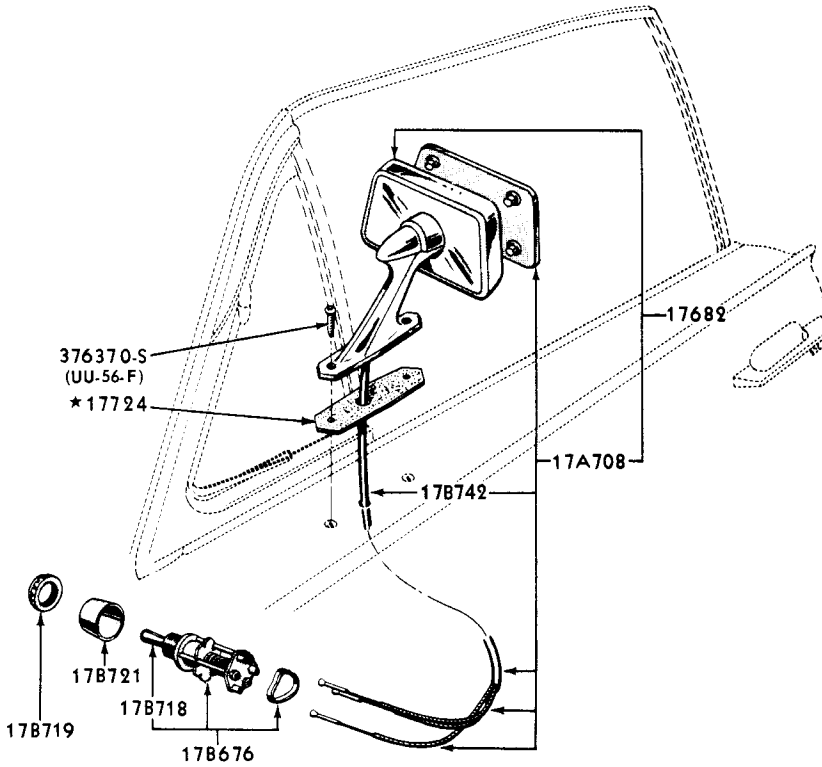
P-4259



1963 REMOTE CONTROL REAR VIEW MIRROR-FENDER MOUNTED (FAIRLANE, FALCON, FORD)

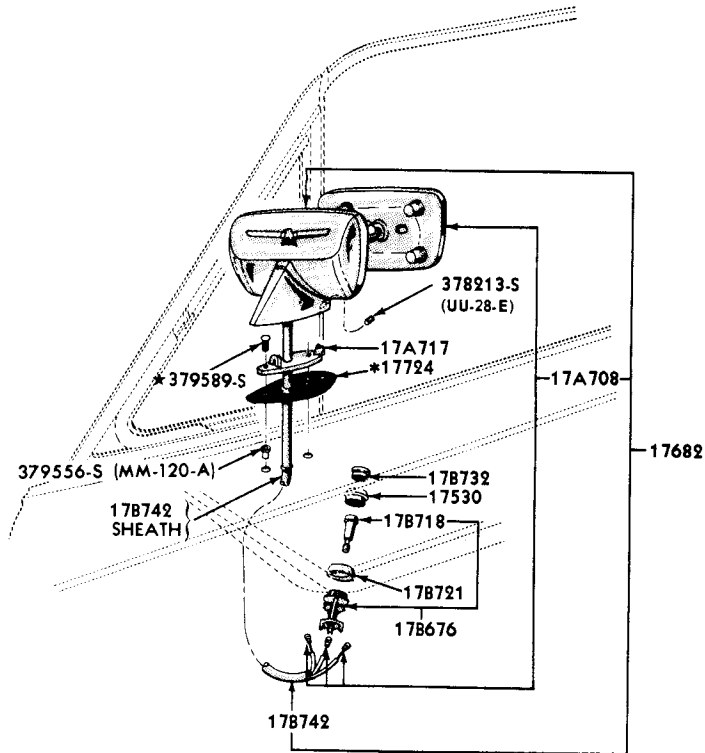


1963/ REMOTE CONTROL REAR VIEW MIRROR-DOOR MOUNTED (FORD)



P-4098

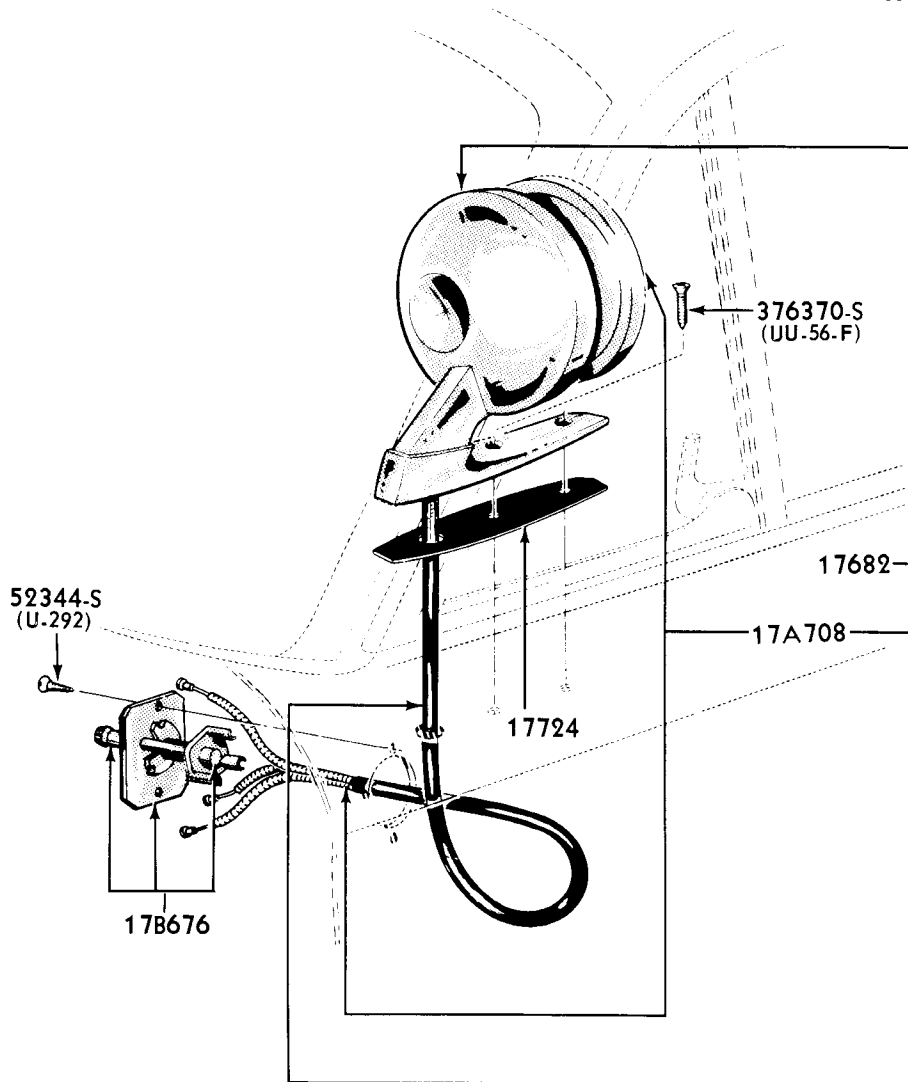
1963 REMOTE CONTROL REAR VIEW MIRROR (THUNDERBIRD)



P-4541

* ALSO SUPPLIED WITH 17682 MIRROR ASSEMBLY

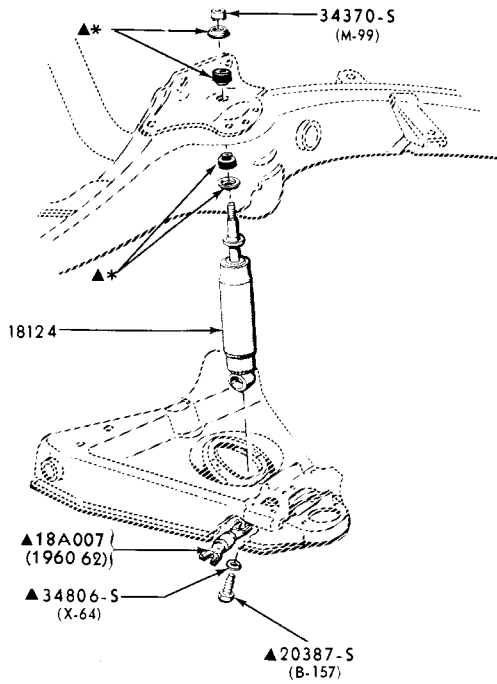
1964/ REMOTE CONTROL REAR VIEW MIRROR (THUNDERBIRD)



P-4543

REMOTE CONTROL REAR VIEW MIRROR
1964 FAIRLANE & FALCON

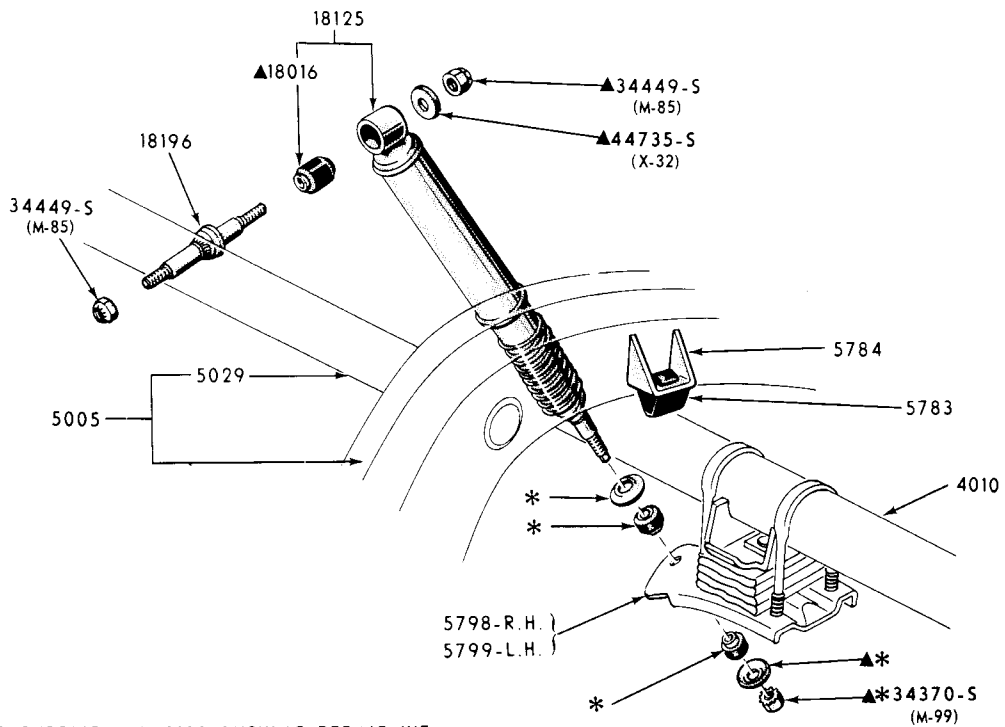
FORD CAR PARTS



▲ ALSO SUPPLIED IN 18124 SHOCK ABSORBER KIT
* SUPPLIED IN 18198 BUSHING REPAIR KIT

P-2977

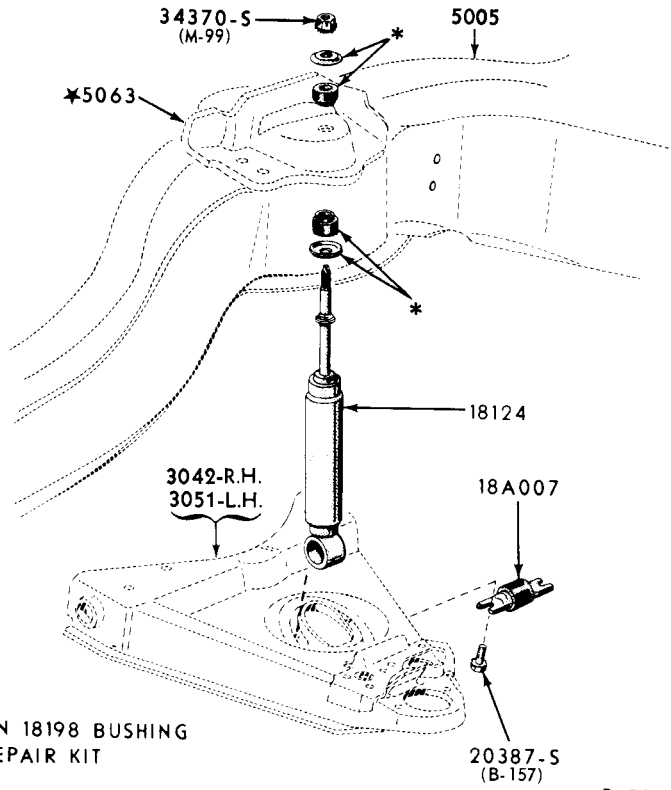
1960/64 SHOCK ABSORBER-FRONT (FORD)



* SUPPLIED IN 18198 BUSHING REPAIR KIT
▲ ALSO SUPPLIED IN 18125 SHOCK ABSORBER KIT

P-2984

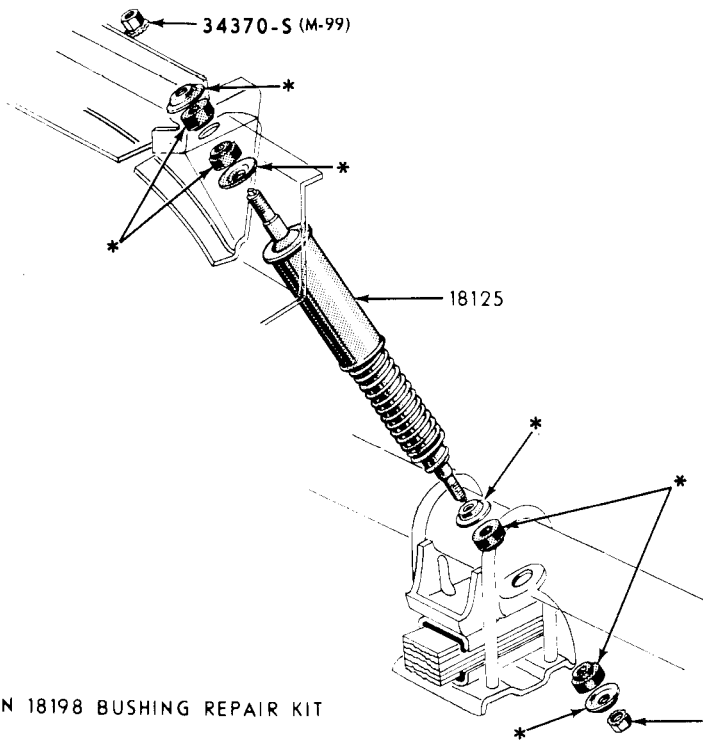
1960/64 SHOCK ABSORBER-REAR (FORD)



*SUPPLIED IN 18198 BUSHING REPAIR KIT

P-3091

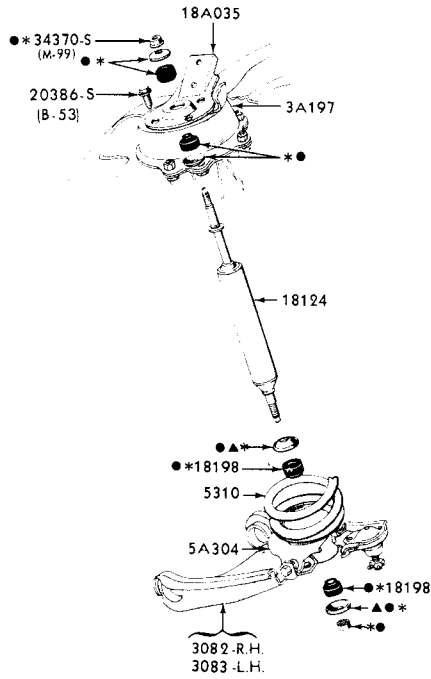
1960 SHOCK ABSORBER-FRONT (THUNDERBIRD)



* SUPPLIED IN 18198 BUSHING REPAIR KIT

P-3065

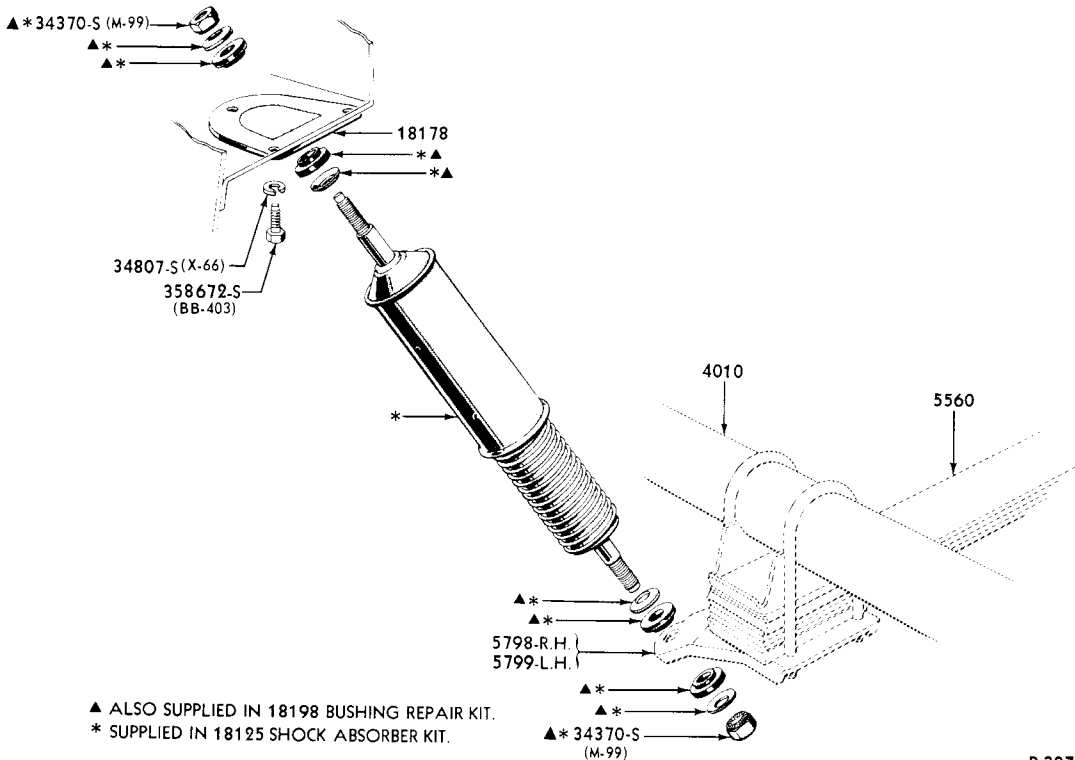
1960 SHOCK ABSORBER-REAR (THUNDERBIRD)



* SUPPLIED IN 18198 BUSHING REPAIR KIT
 ▲ SUPPLIED IN 18A057 WASHER KIT
 ● ALSO SUPPLIED IN 18124 SHOCK ABSORBER KIT

P-3276

1961/62 SHOCK ABSORBER-FRONT (THUNDERBIRD)

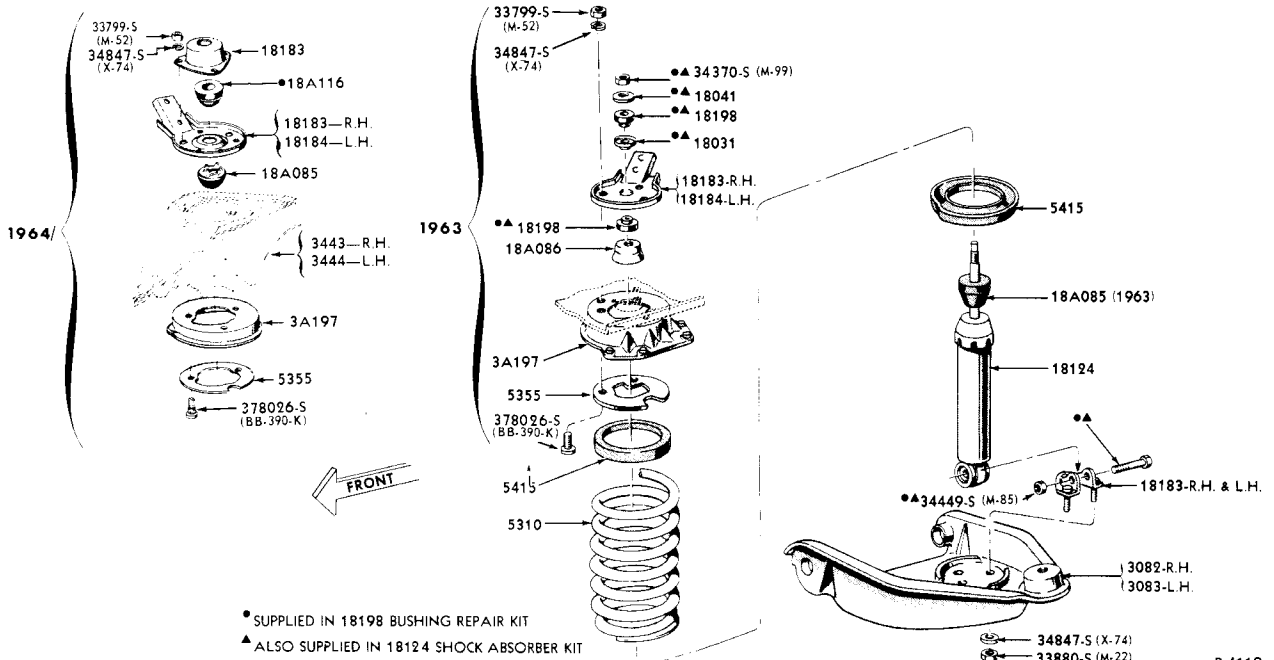


▲ ALSO SUPPLIED IN 18198 BUSHING REPAIR KIT.
 * SUPPLIED IN 18125 SHOCK ABSORBER KIT.

▲ * 34370-S (M-99)

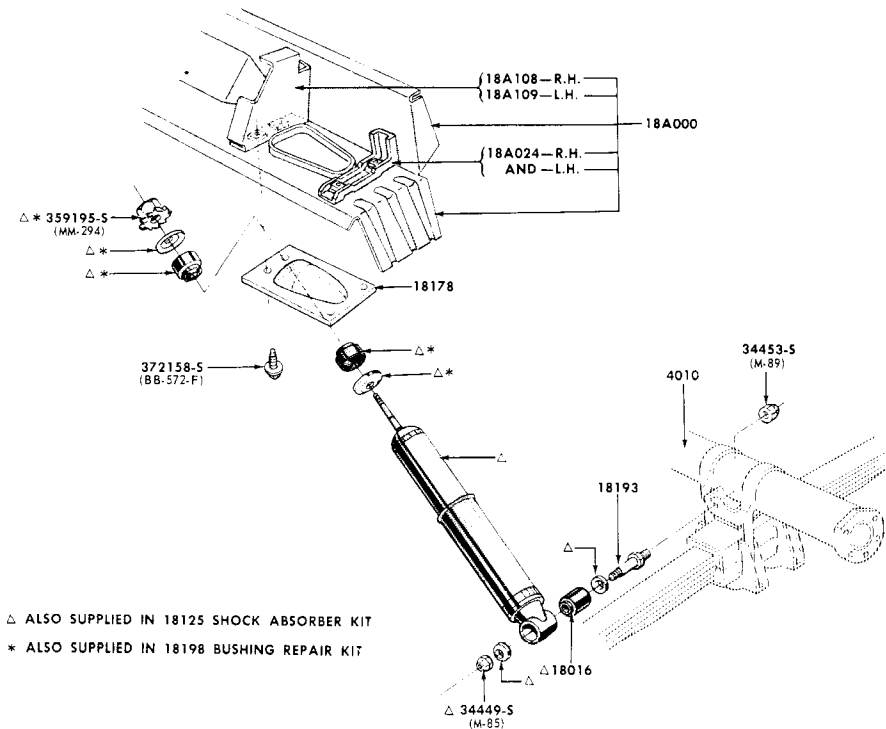
P-3278

1961/63 SHOCK ABSORBER-REAR (THUNDERBIRD)-TYPICAL



P-4119

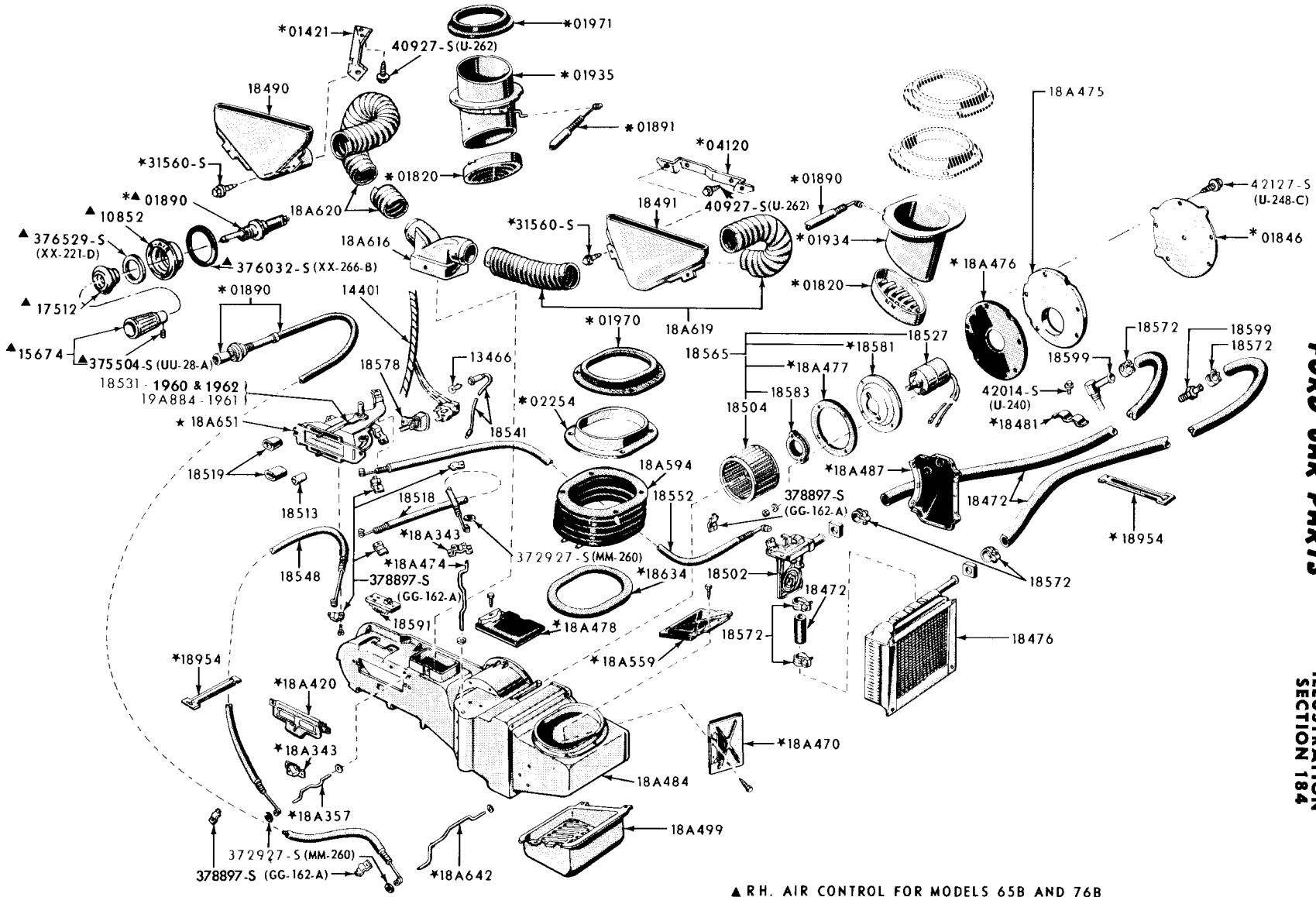
1963/ SHOCK ABSORBER-FRONT (THUNDERBIRD)



P-4352

1964/ SHOCK ABSORBER-REAR (THUNDERBIRD)

1960/61 FRESH AIR HEATER and RELATED PARTS (FORD) - TYPICAL



▲ R.H. AIR CONTROL FOR MODELS 65B AND 76B
*REFER TO BODY GROUP NUMBER

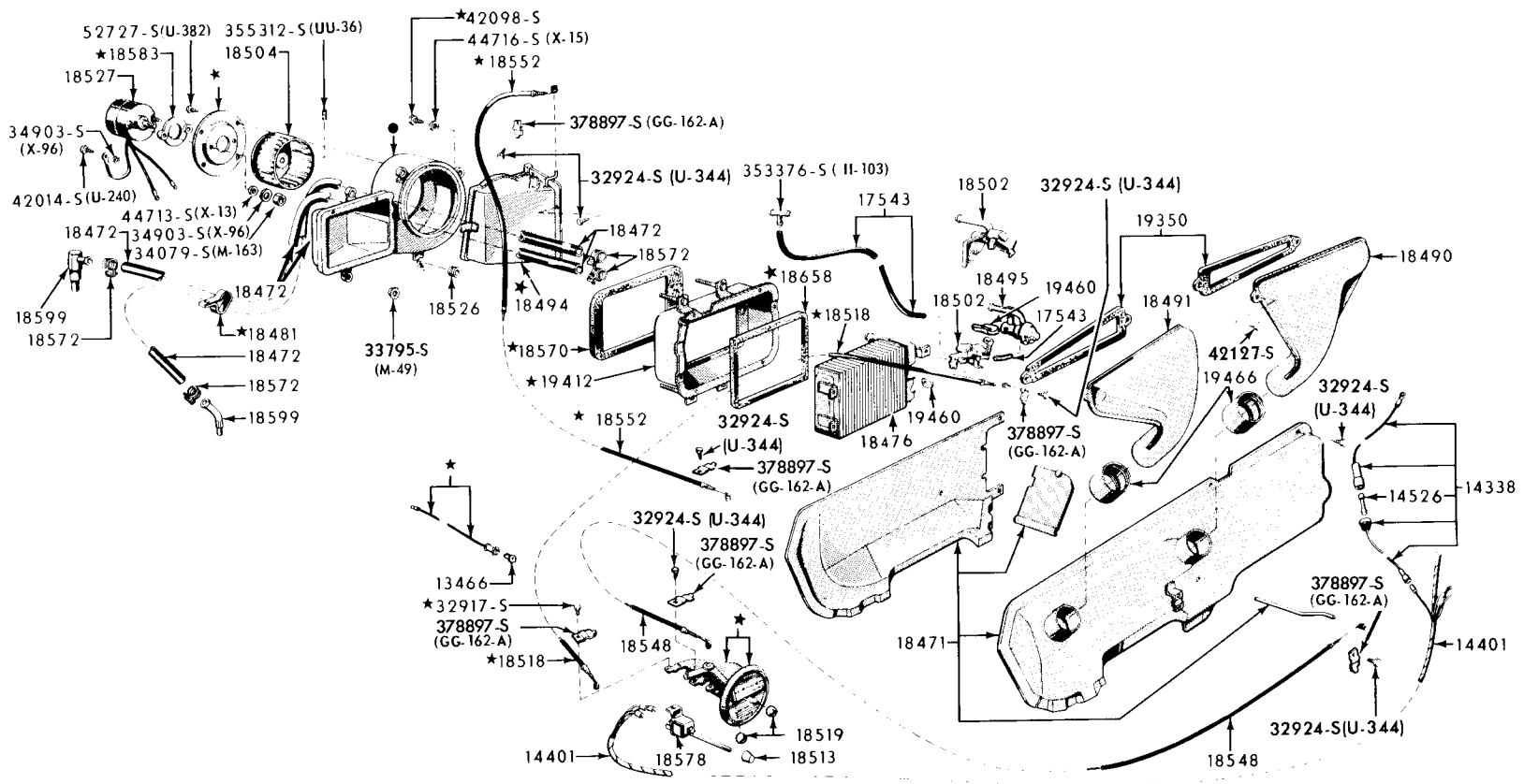
P-3087

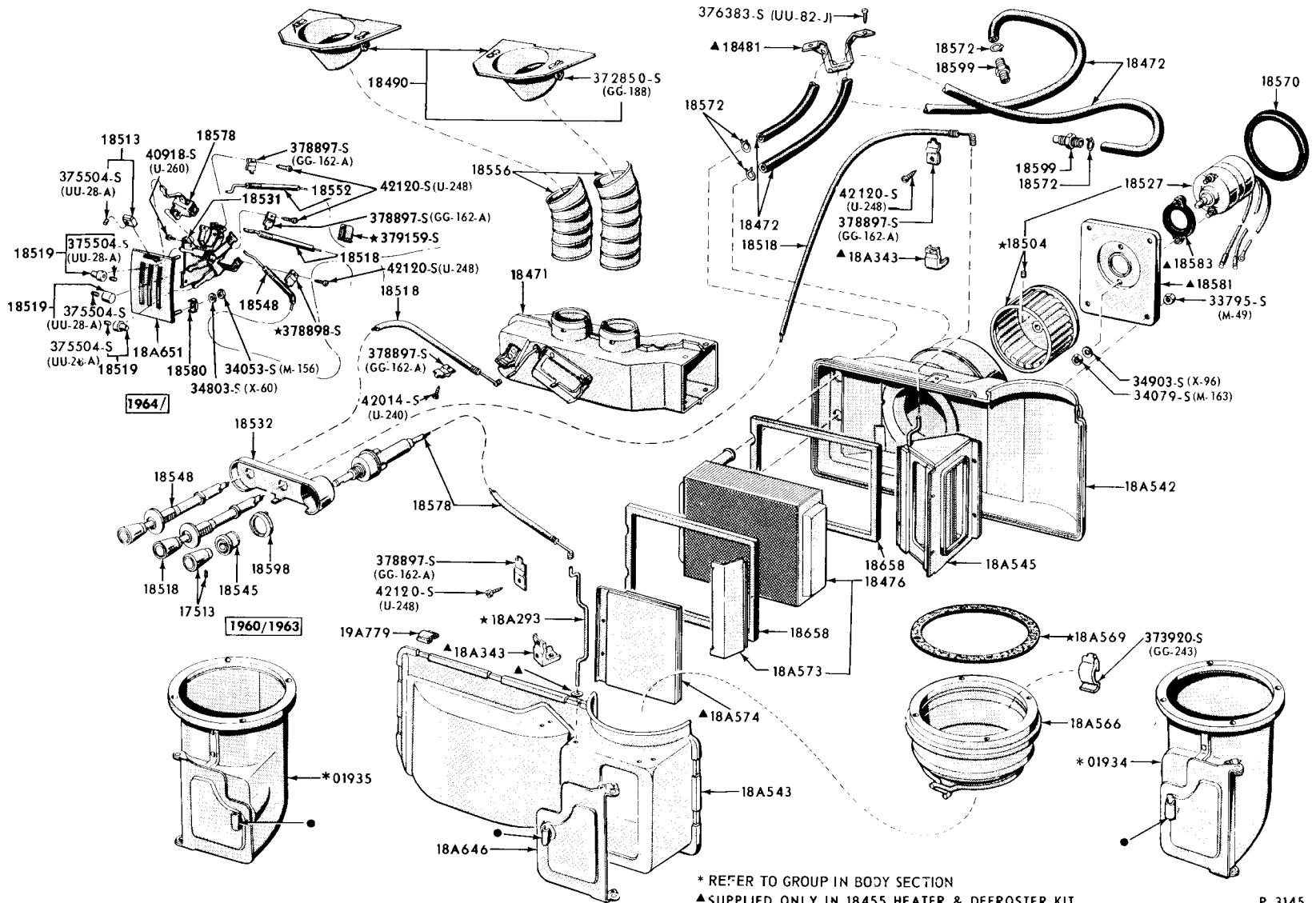
FORD CAR PARTS

ILLUSTRATION SECTION 184

517

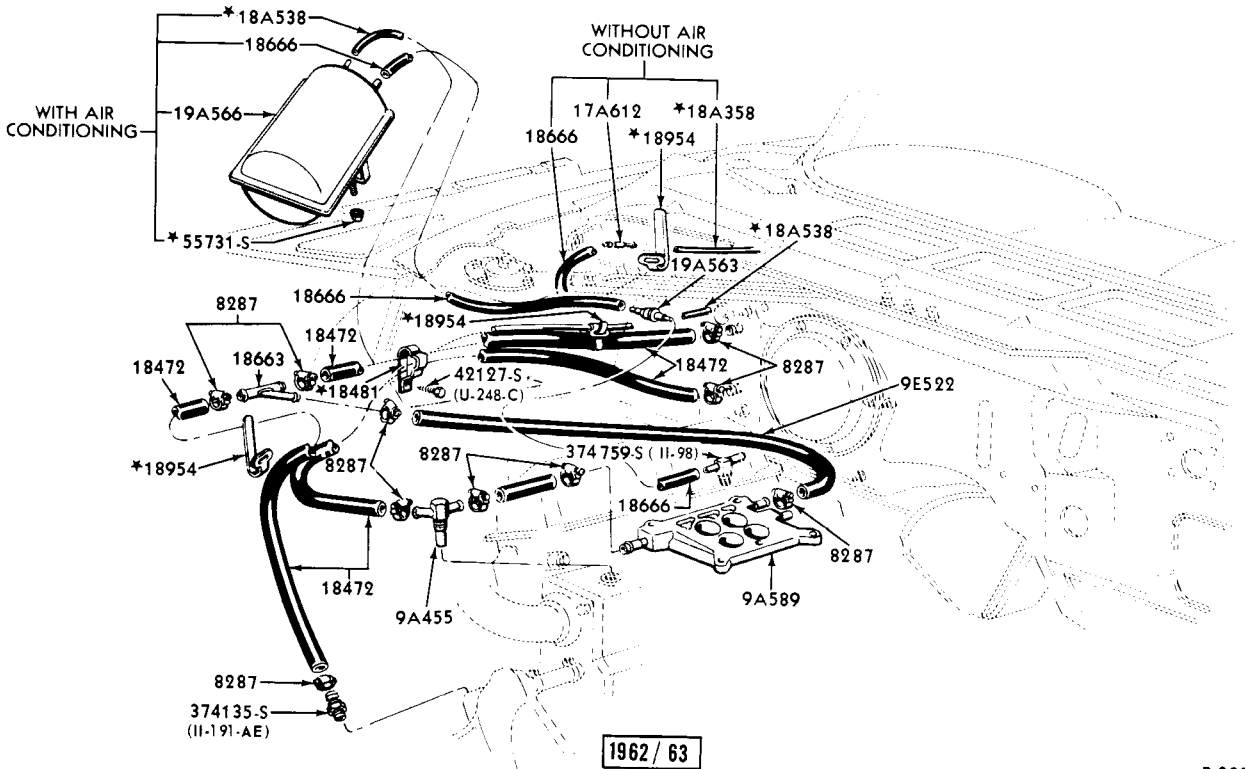
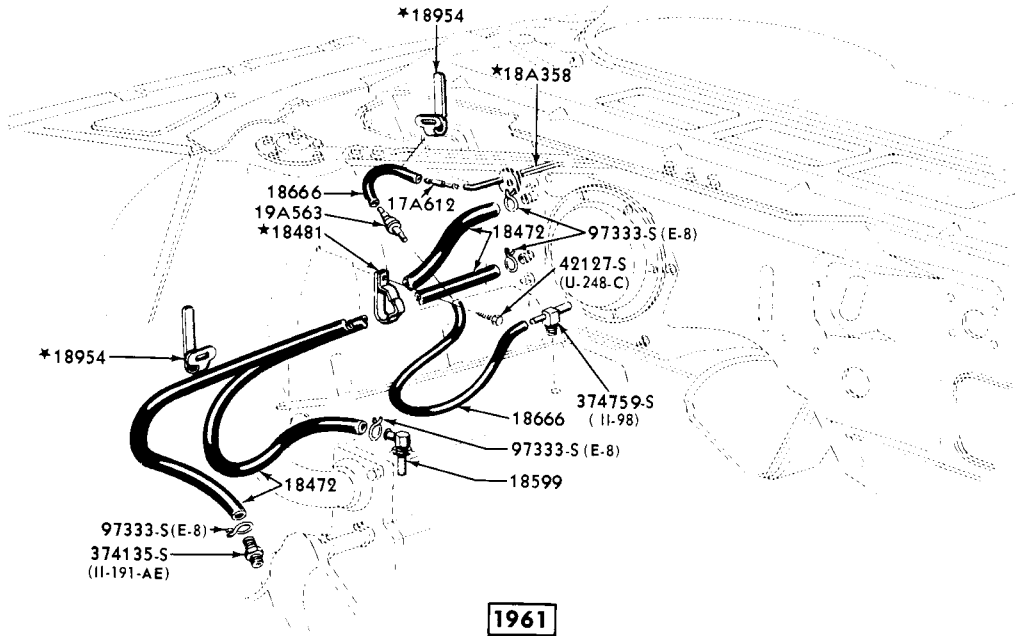
1960 FRESH AIR HEATER and RELATED PARTS (THUNDERBIRD)

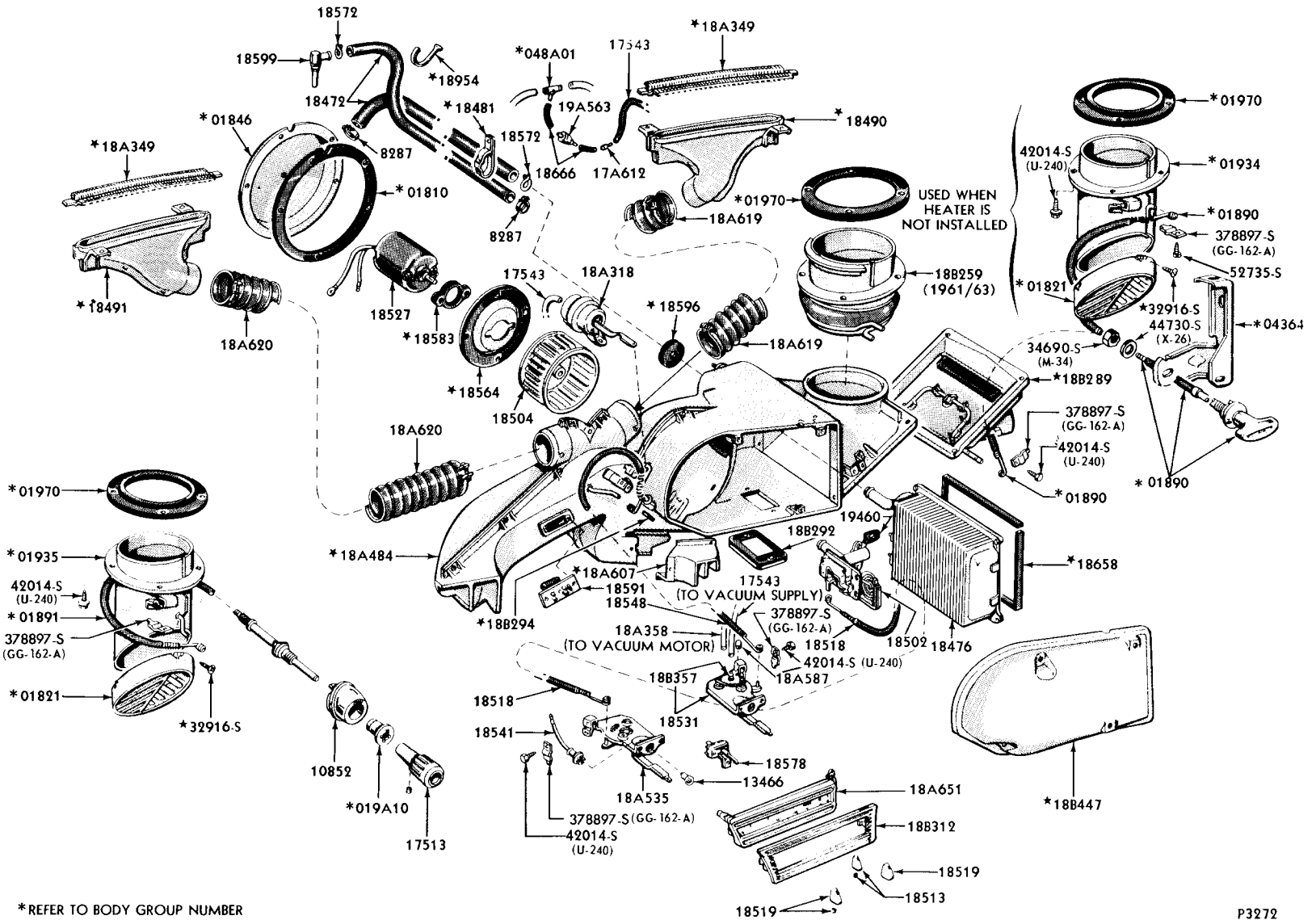




* REFER TO GROUP IN BODY SECTION
 ▲ SUPPLIED ONLY IN 18455 HEATER & DEFROSTER KIT
 ● SUPPLIED ONLY IN 188578 HANDLE KIT

P-3145



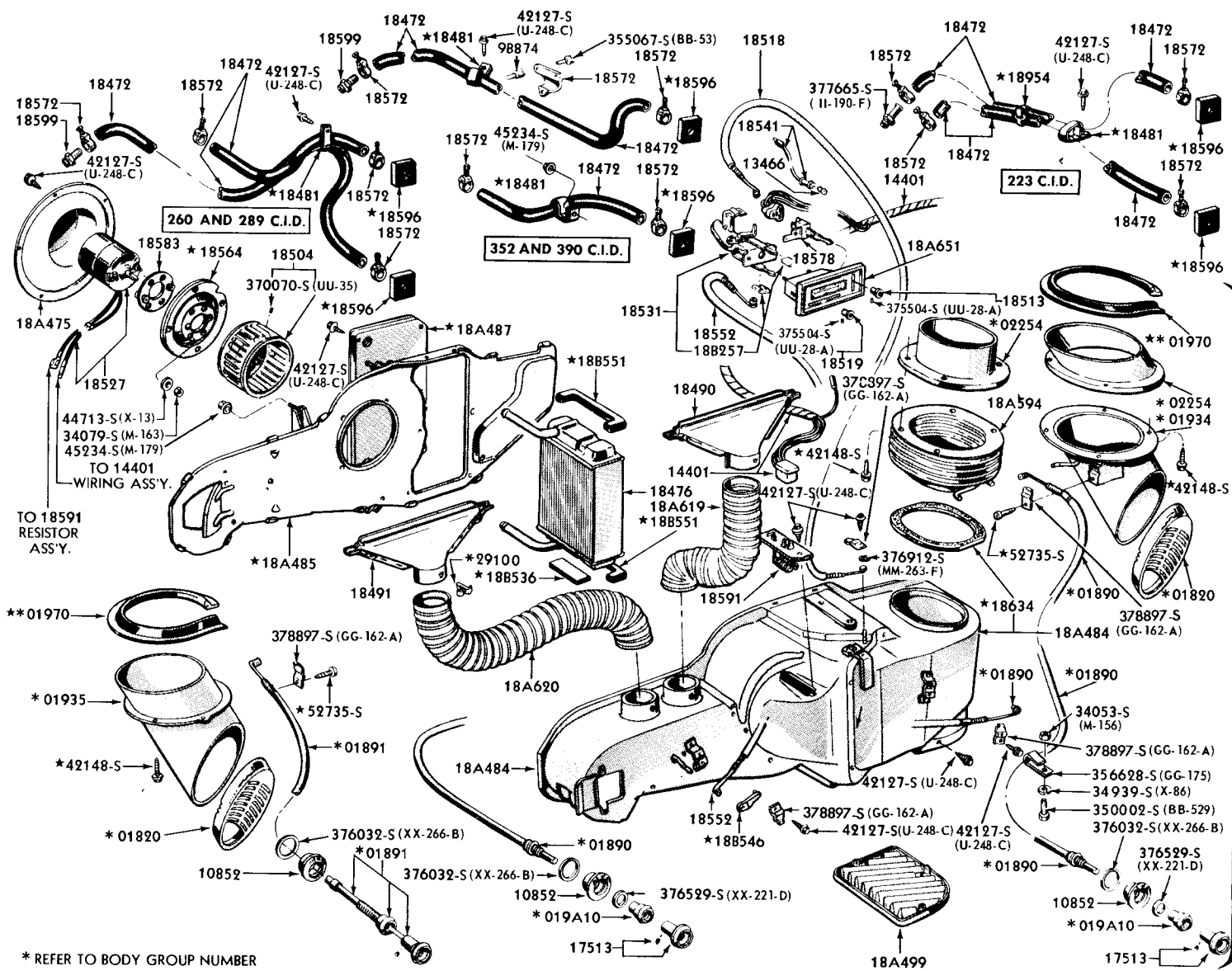


1961/63 FRESH AIR HEATER and RELATED PARTS (THUNDERBIRD)

*REFER TO BODY GROUP NUMBER

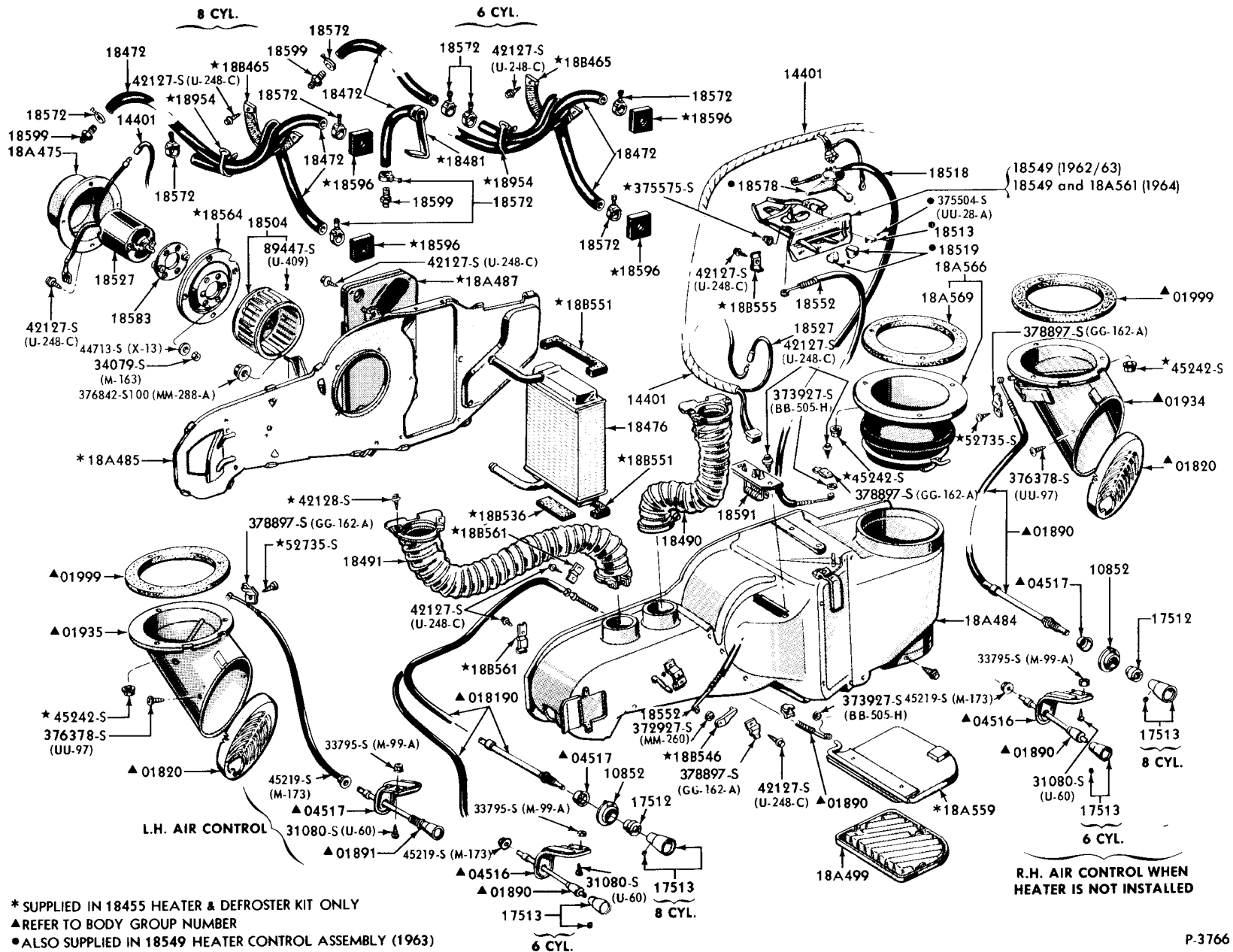
P3272

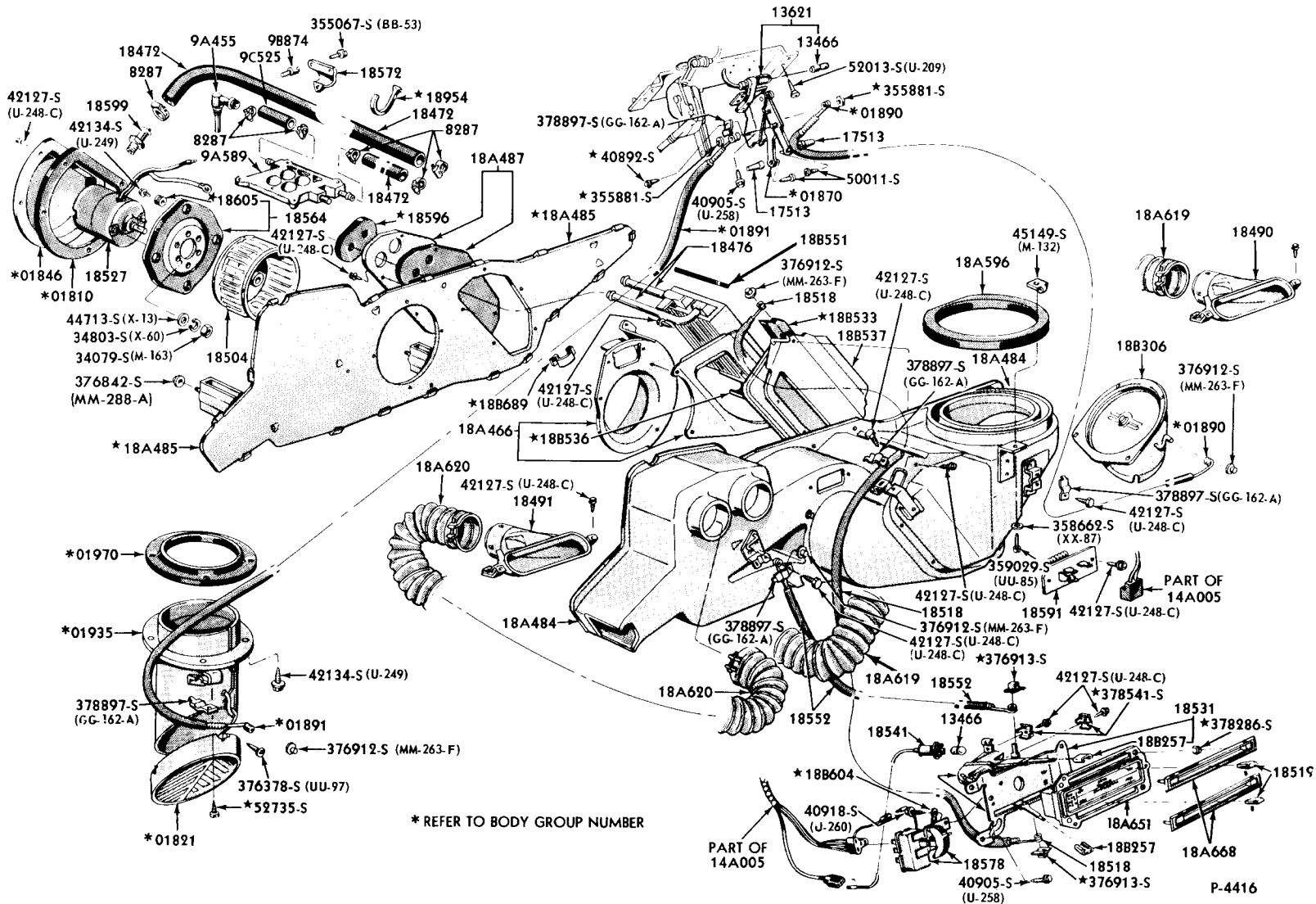
R.H. AIR VENT AND CONTROL USED WHEN HEATER IS NOT INSTALLED



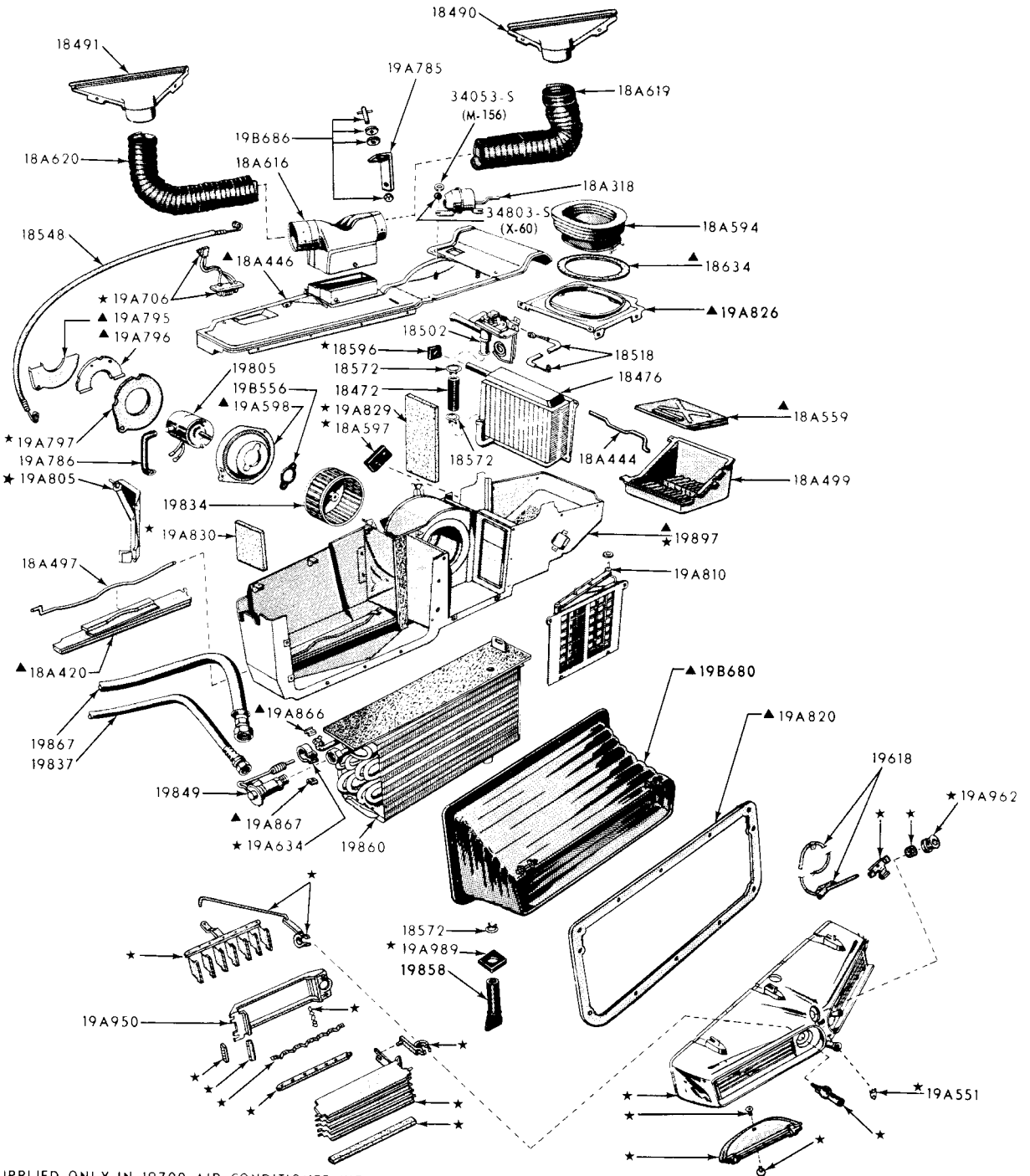
1962/64 FRESH AIR HEATER and RELATED PARTS (FORD)

* REFER TO BODY GROUP NUMBER



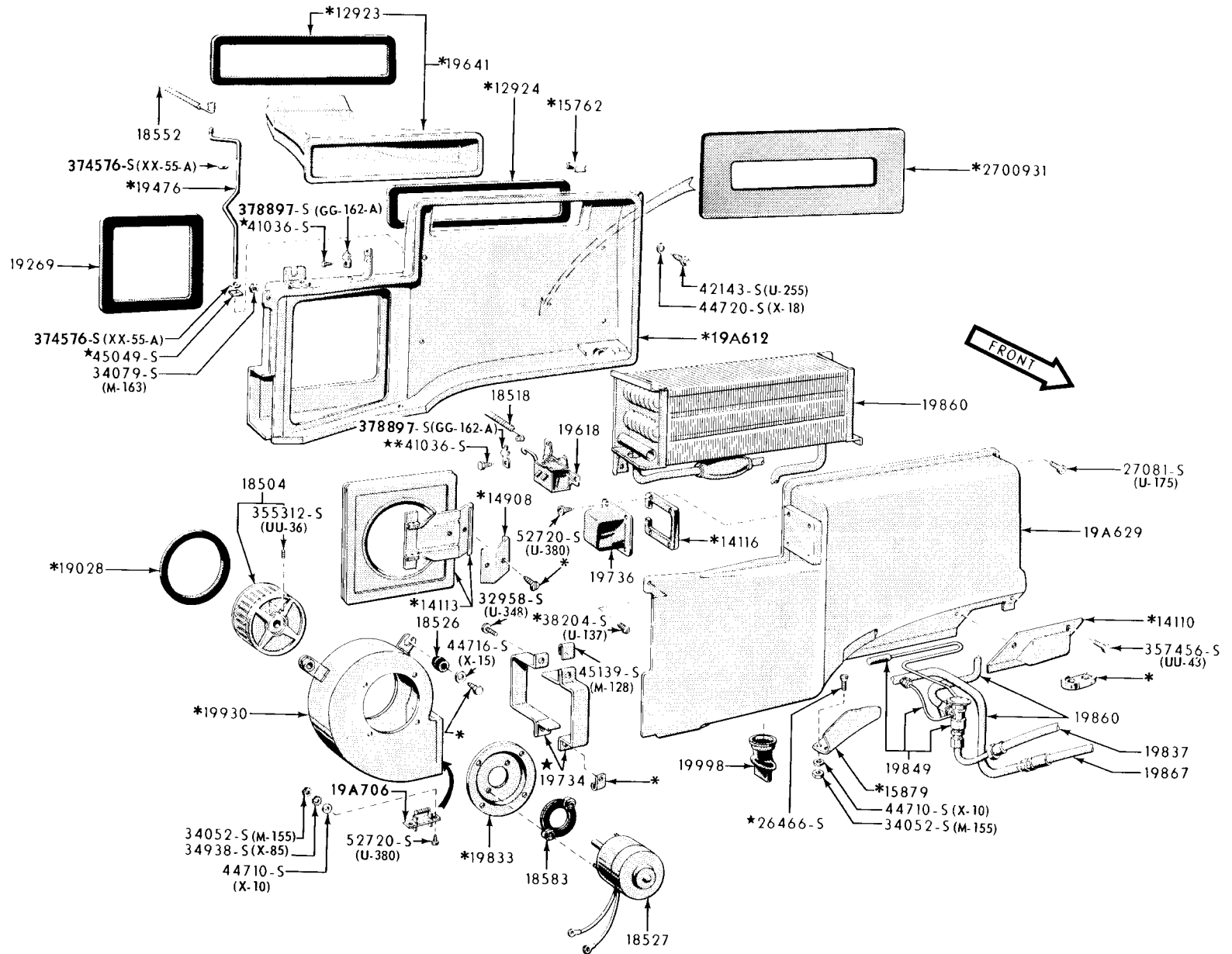


1964 / FRESH AIR HEATER and RELATED PARTS (THUNDERBIRD)

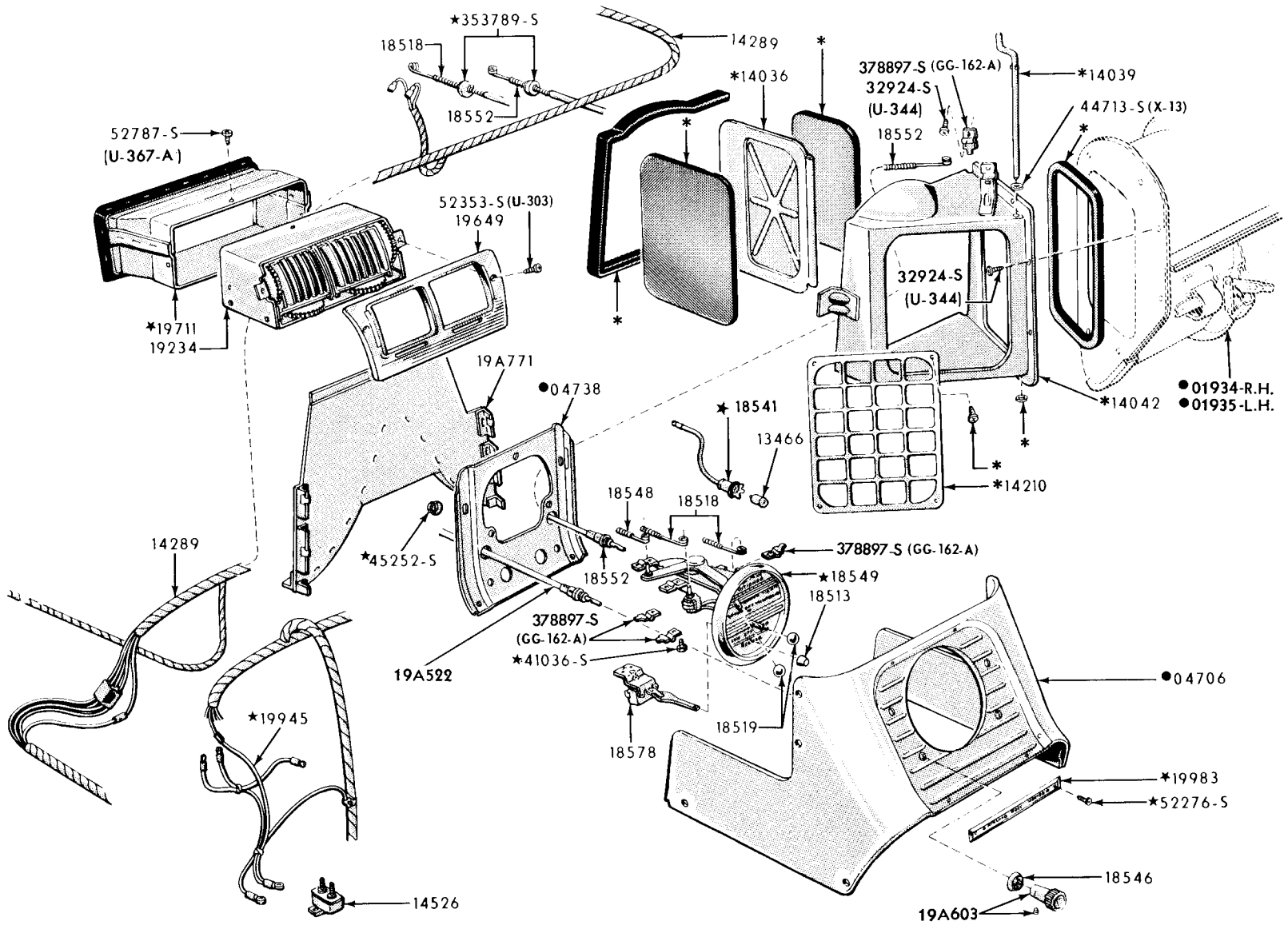


▲ SUPPLIED ONLY IN 19700 AIR CONDITIONER KIT

1960 THUNDERBIRD INTEGRAL AIR CONDITIONER EVAPORATOR, BLOWER & RELATED PARTS

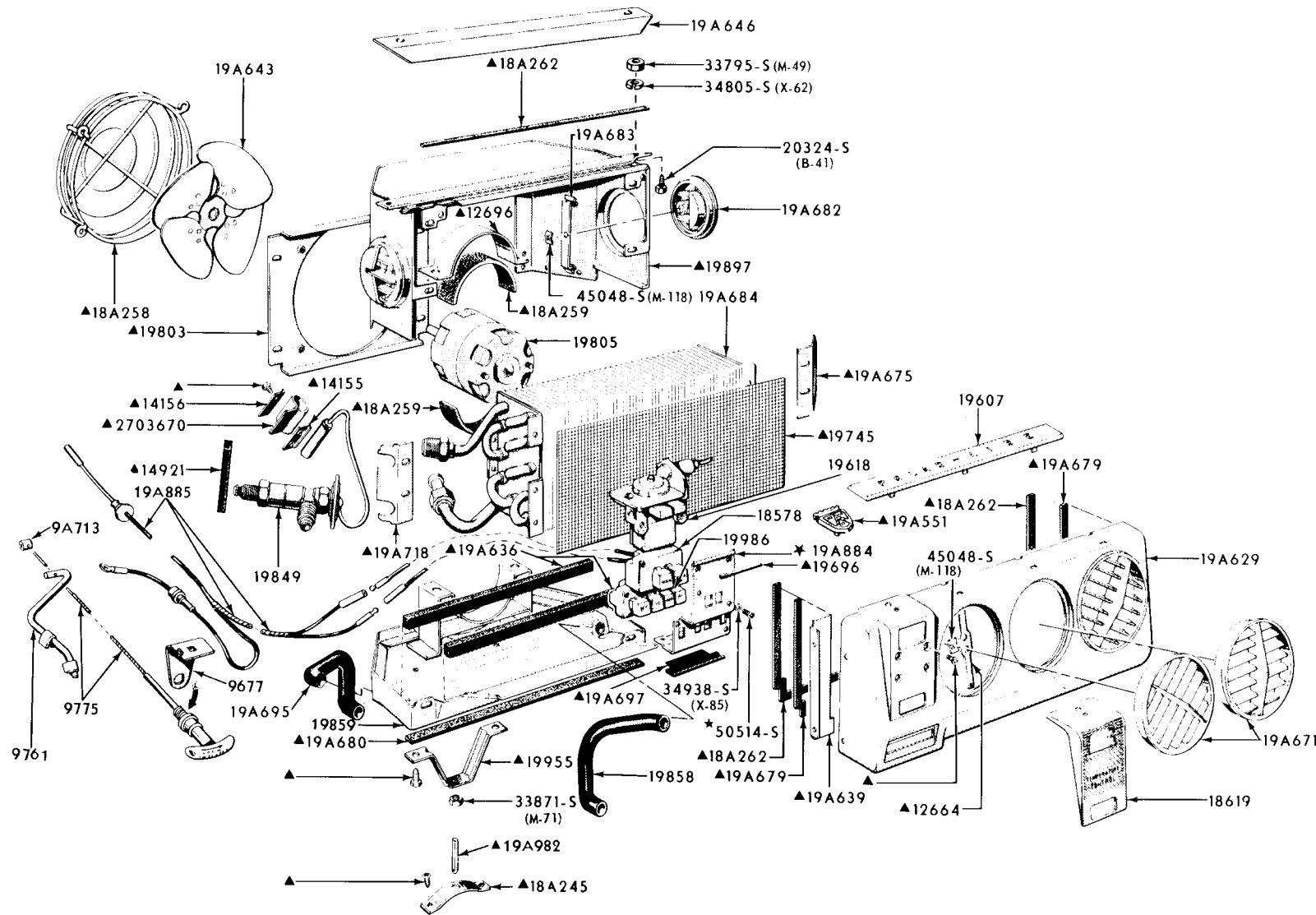


*SUPPLIED IN 19700 AIR CONDITIONING KIT ONLY

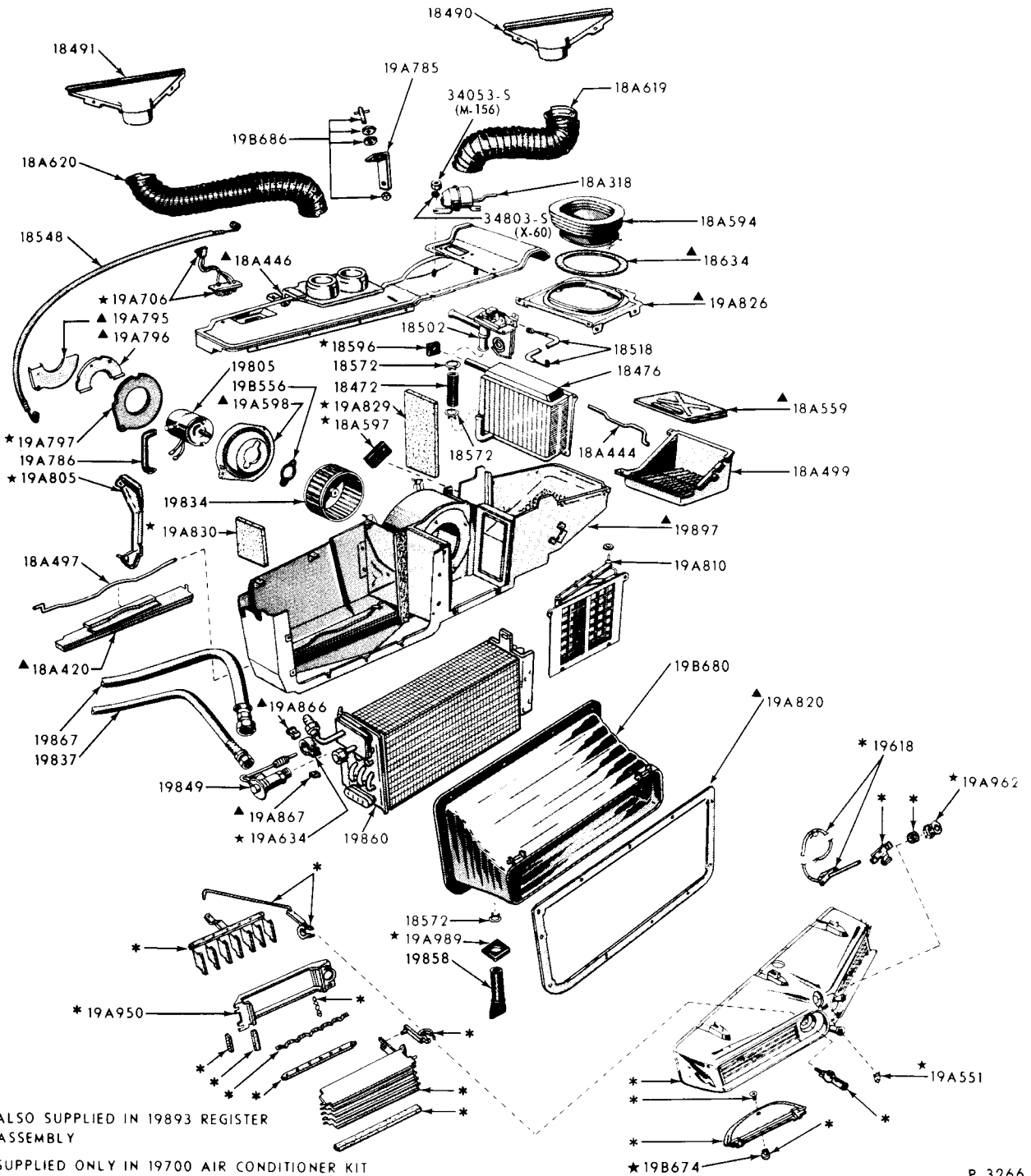


*SUPPLIED IN 18494 VALVE ASSEMBLY ONLY
 ●REFER TO BODY GROUP NUMBERS

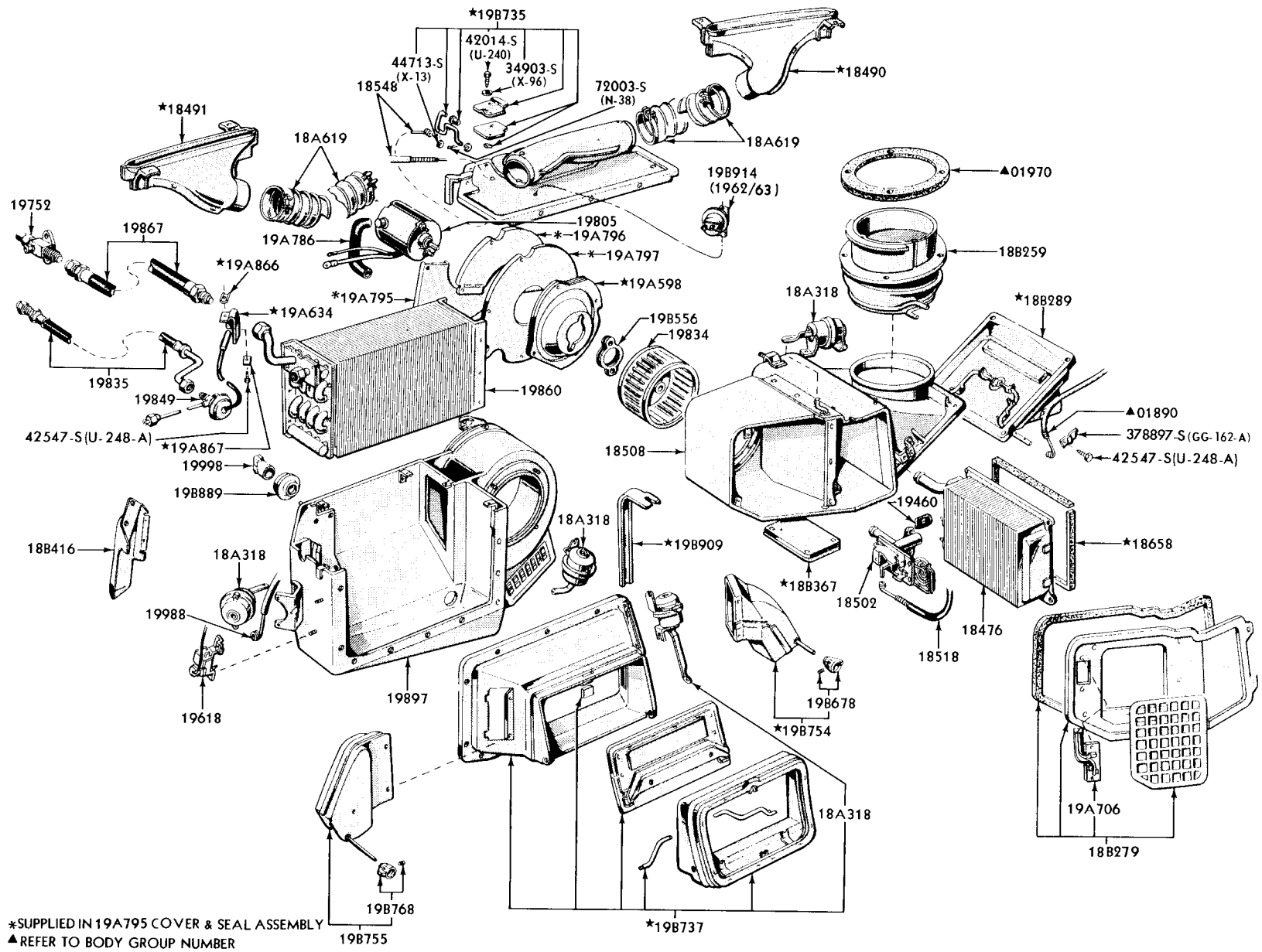
1960/62 FALCON HANG-ON AIR CONDITIONER REGISTER, EVAPORATOR & RELATED PARTS



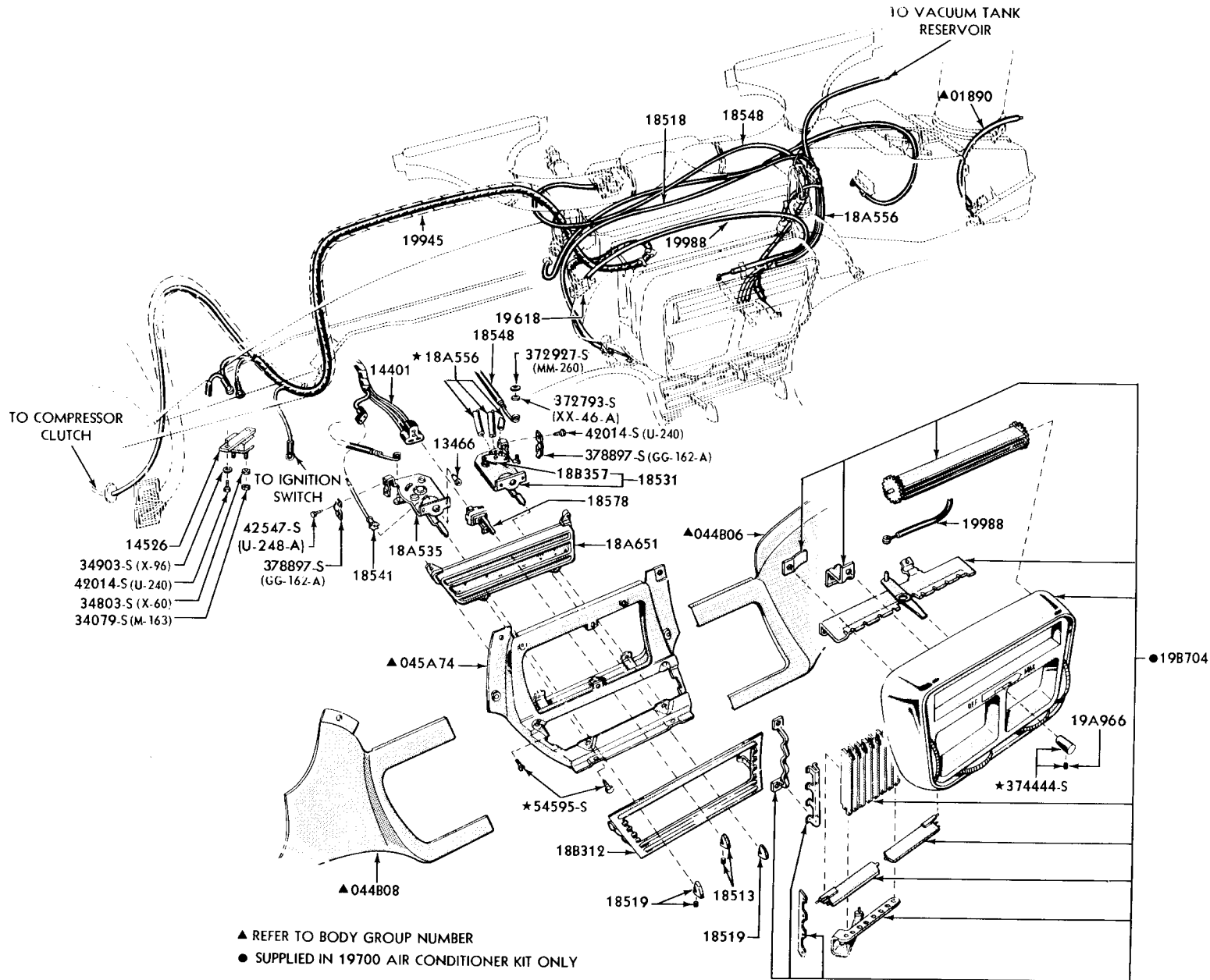
▲SUPPLIED ONLY IN 19700 AIR CONDITIONER KIT

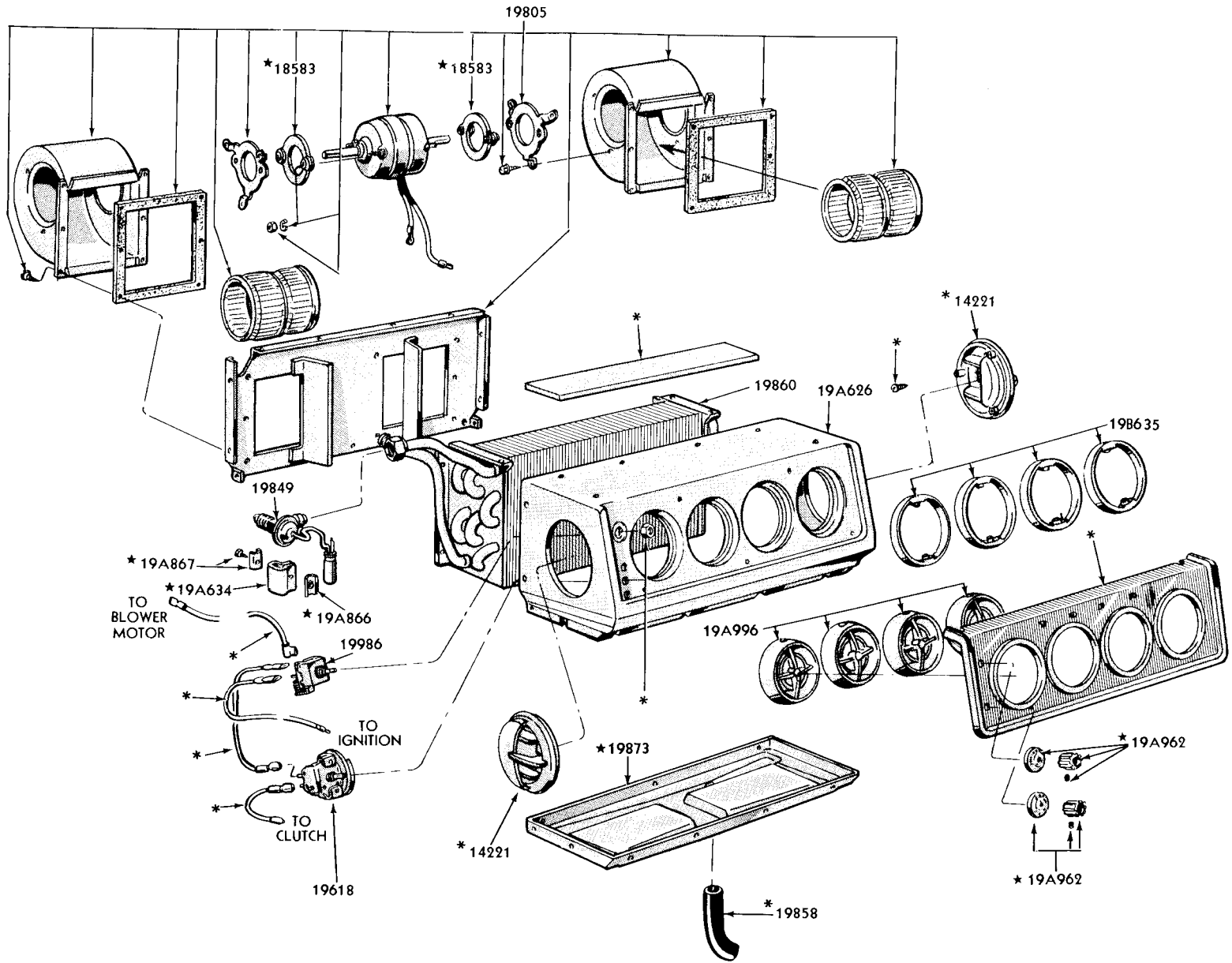


1961/63 THUNDERBIRD INTEGRAL AIR CONDITIONER EVAPORATOR, BLOWER & RELATED PARTS

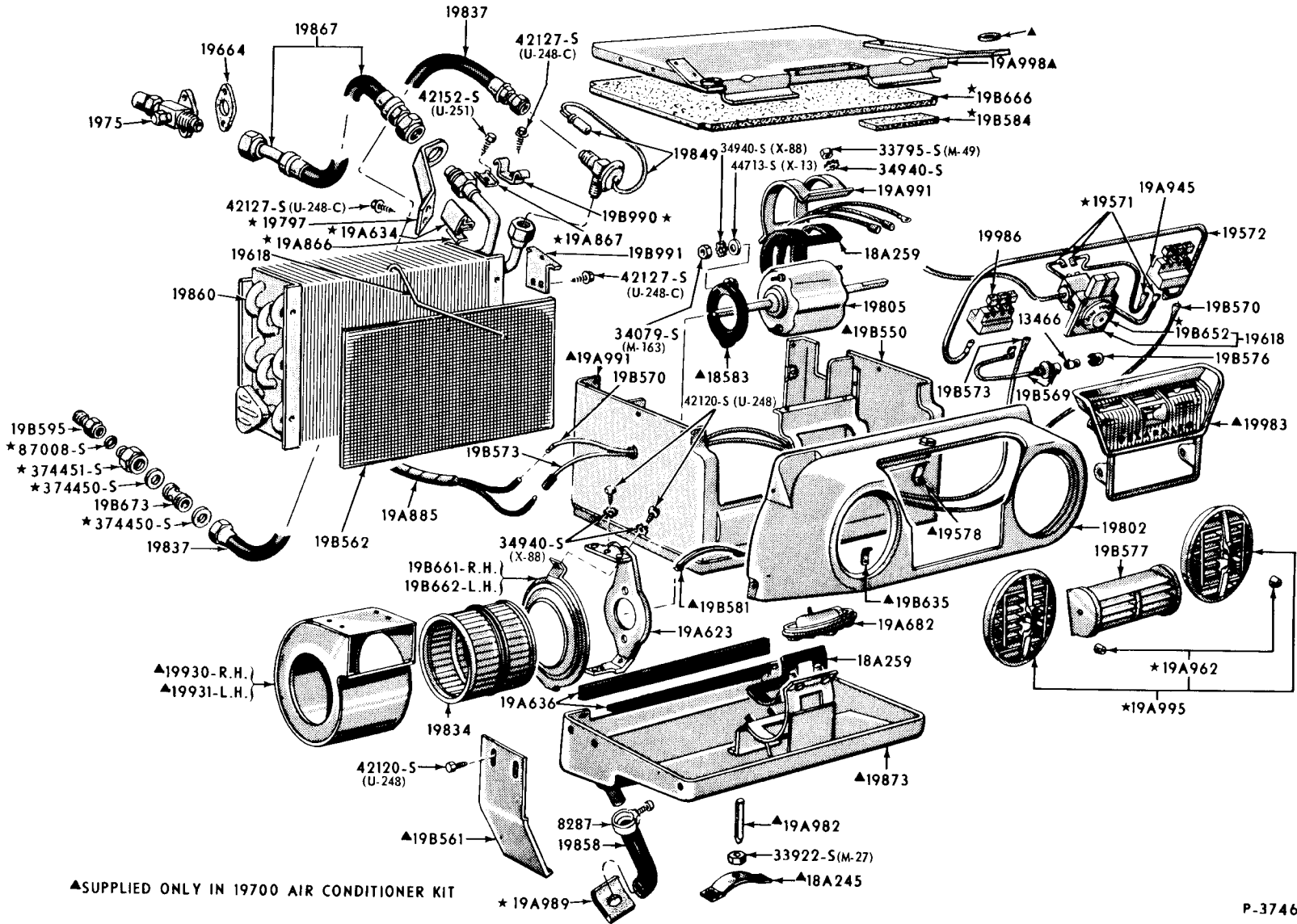


*SUPPLIED IN 19A795 COVER & SEAL ASSEMBLY
 ▲REFER TO BODY GROUP NUMBER



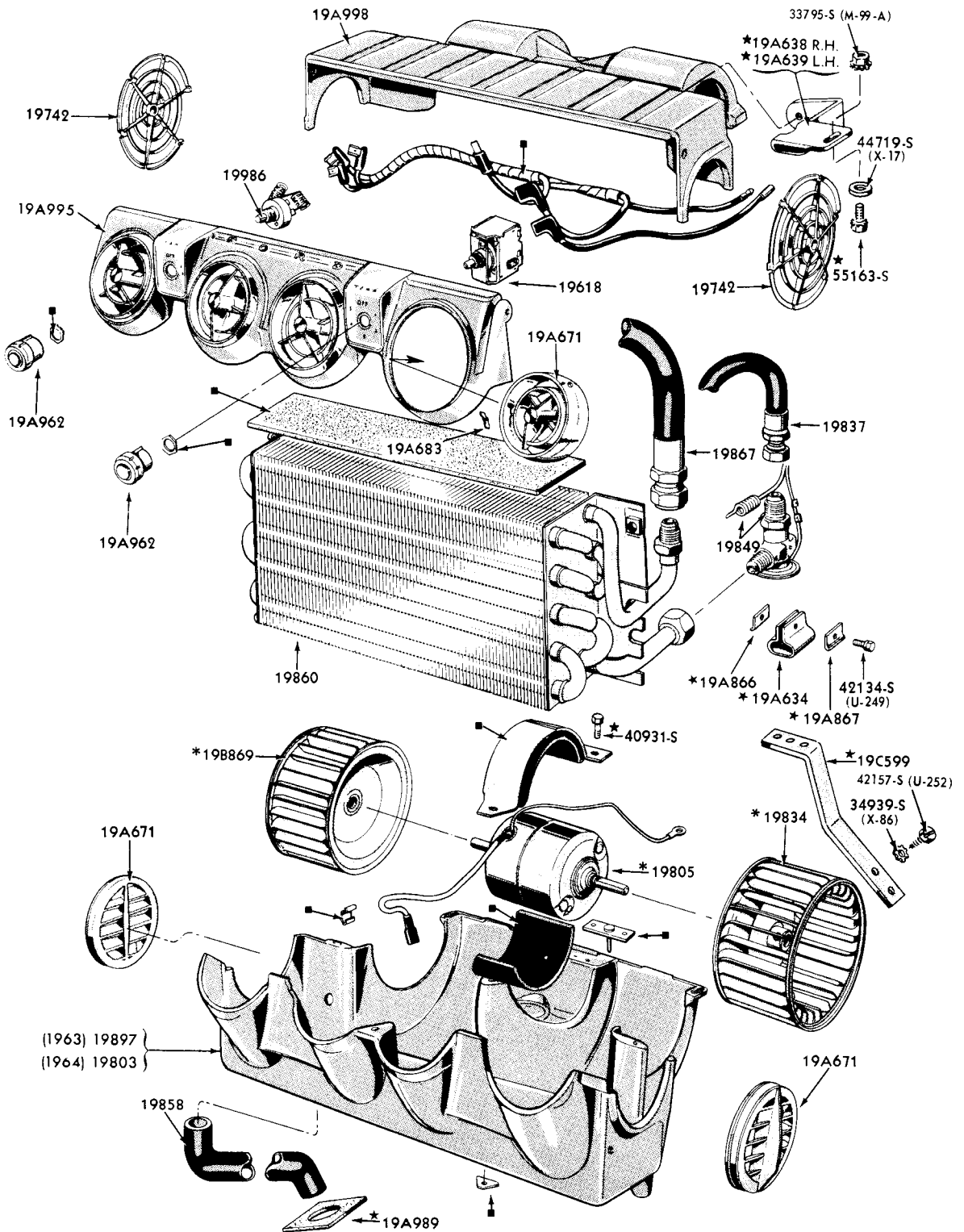


* SUPPLIED IN 198970 KIT ONLY (GALAXIE)
 * SUPPLIED IN 19700 KIT ONLY (FAIRLANE & FALCON)



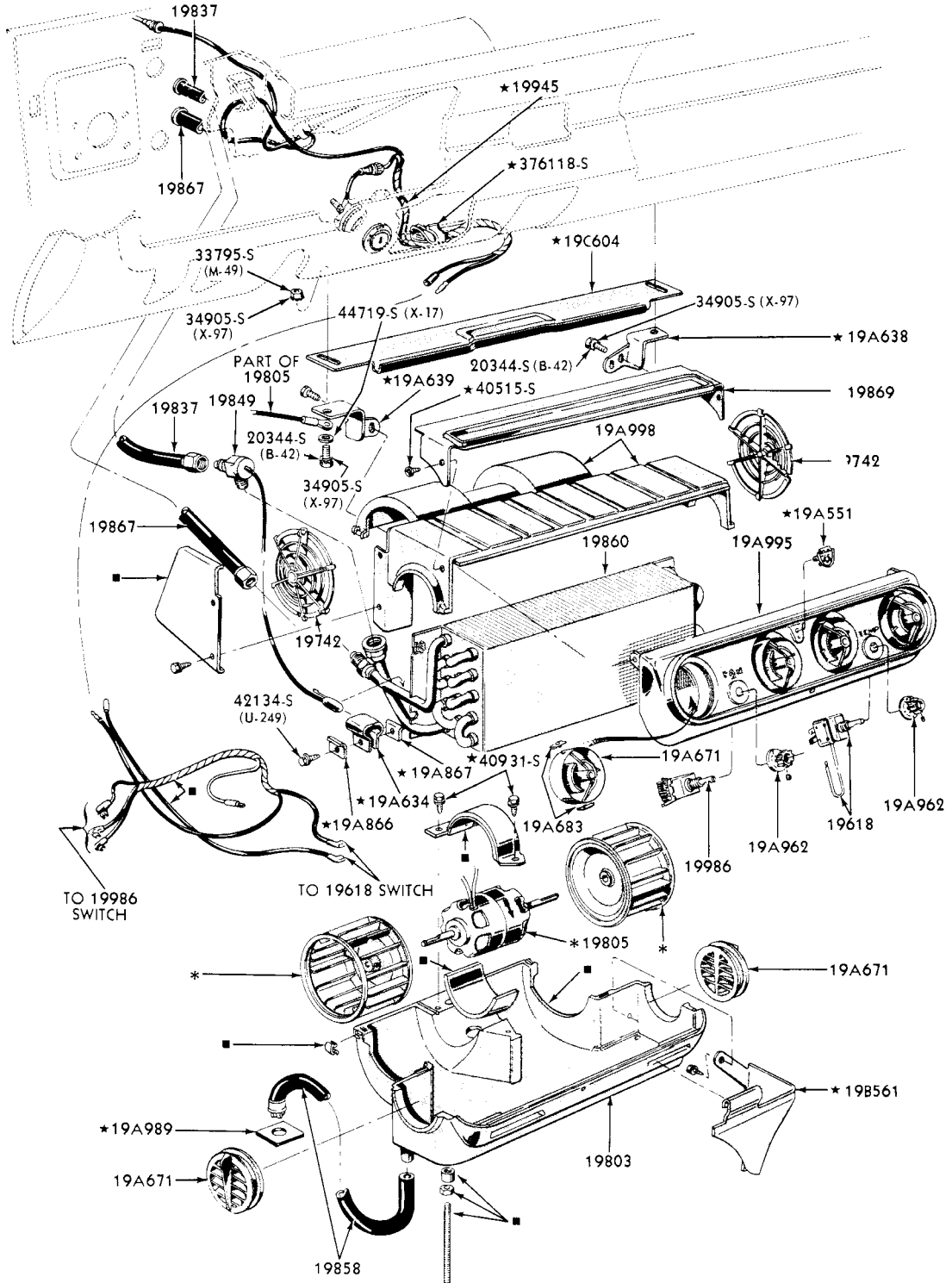
▲SUPPLIED ONLY IN 19700 AIR CONDITIONER KIT

*19A989



* SUPPLIED IN 19805 MOTOR AND WHEEL ASS'Y. ONLY
 ■ SUPPLIED IN 19700 AIR CONDITIONER KIT ONLY

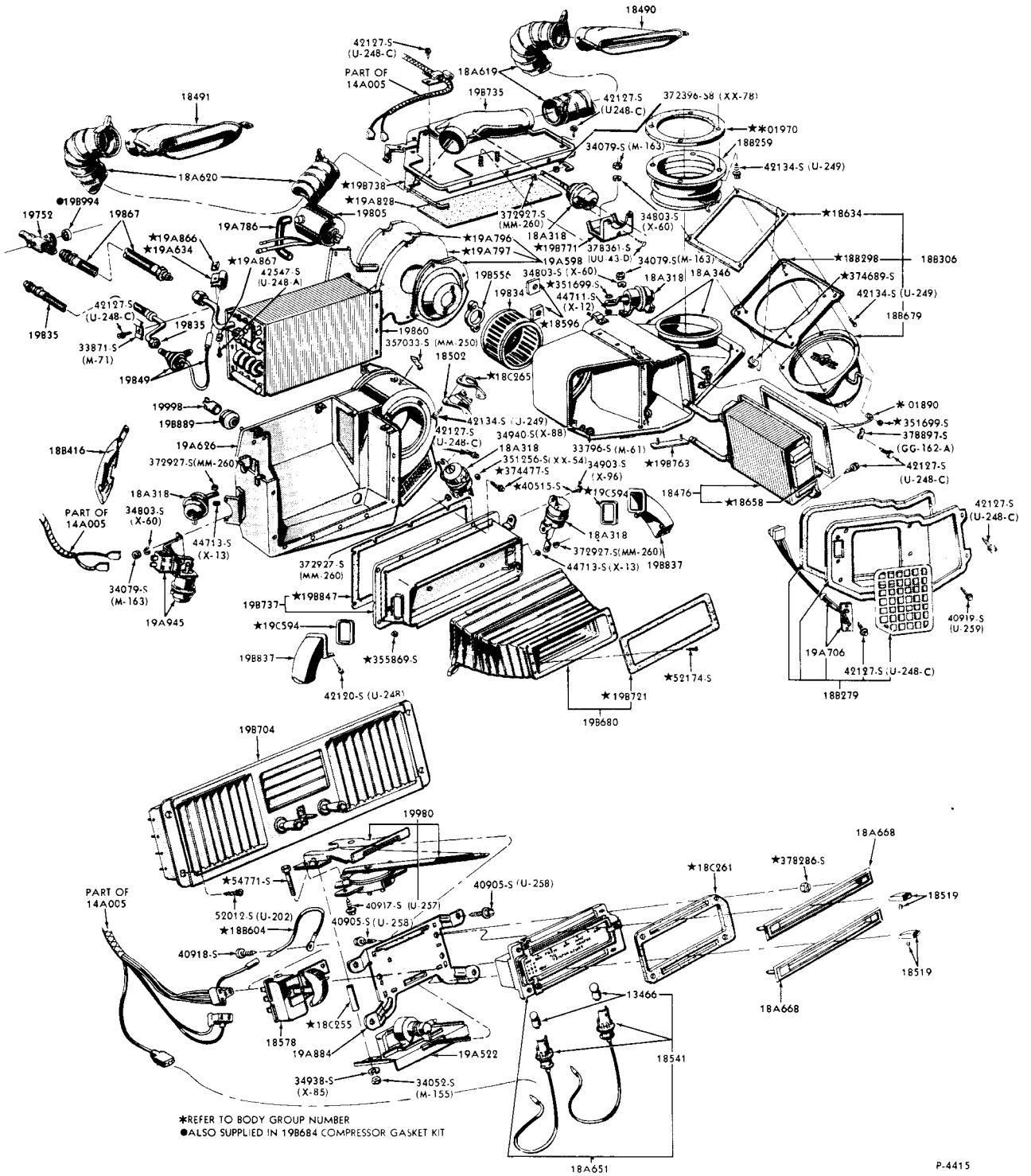
1963/64 HANG-ON AIR CONDITIONER, EVAPORATOR, CONTROLS & RELATED PARTS
 (1963/64 FORD, FAIRLANE & 1963/64 FALCON "Before 3/2/64")



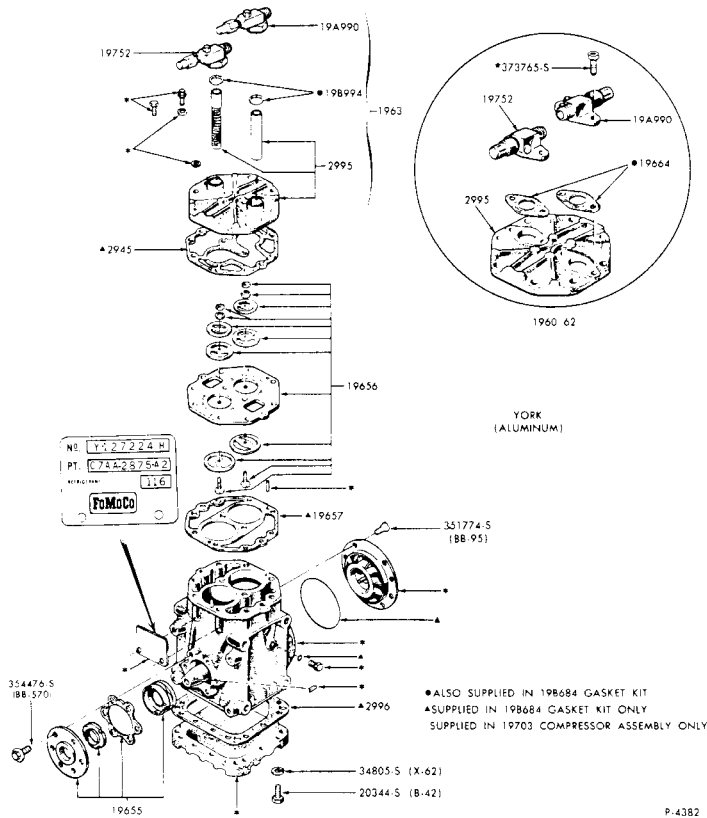
■ SUPPLIED IN 19700 AIR CONDITIONER KIT ONLY
 * SUPPLIED IN 19805 MOTOR AND WHEEL ASS'Y. ONLY

P-4549

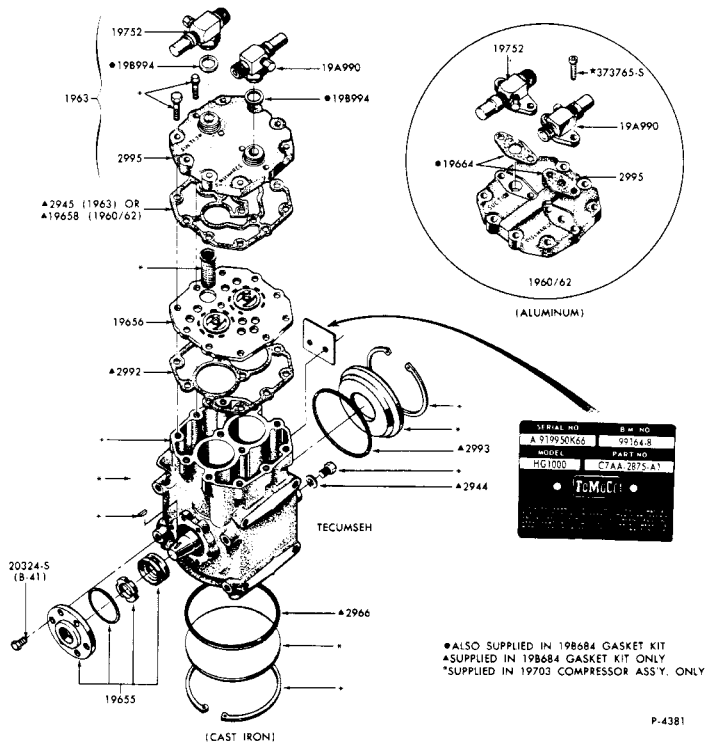
1964/ HANG-ON AIR CONDITIONER EVAPORATOR, CONTROLS & RELATED PARTS
 FALCON-"FROM 3/2/64"



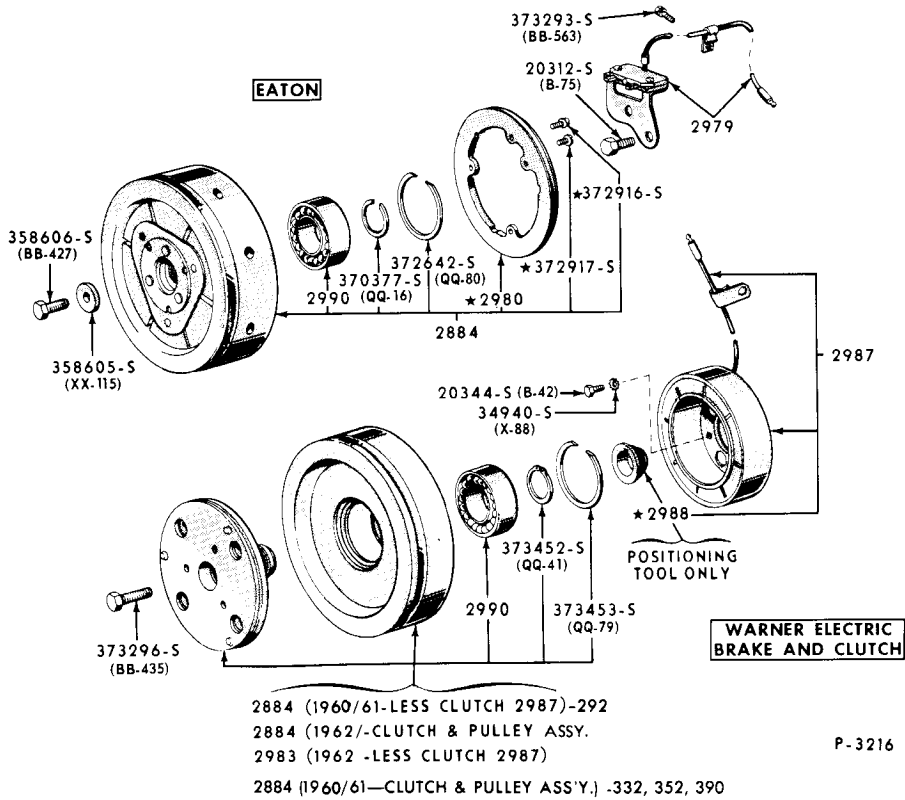
FORD CAR PARTS



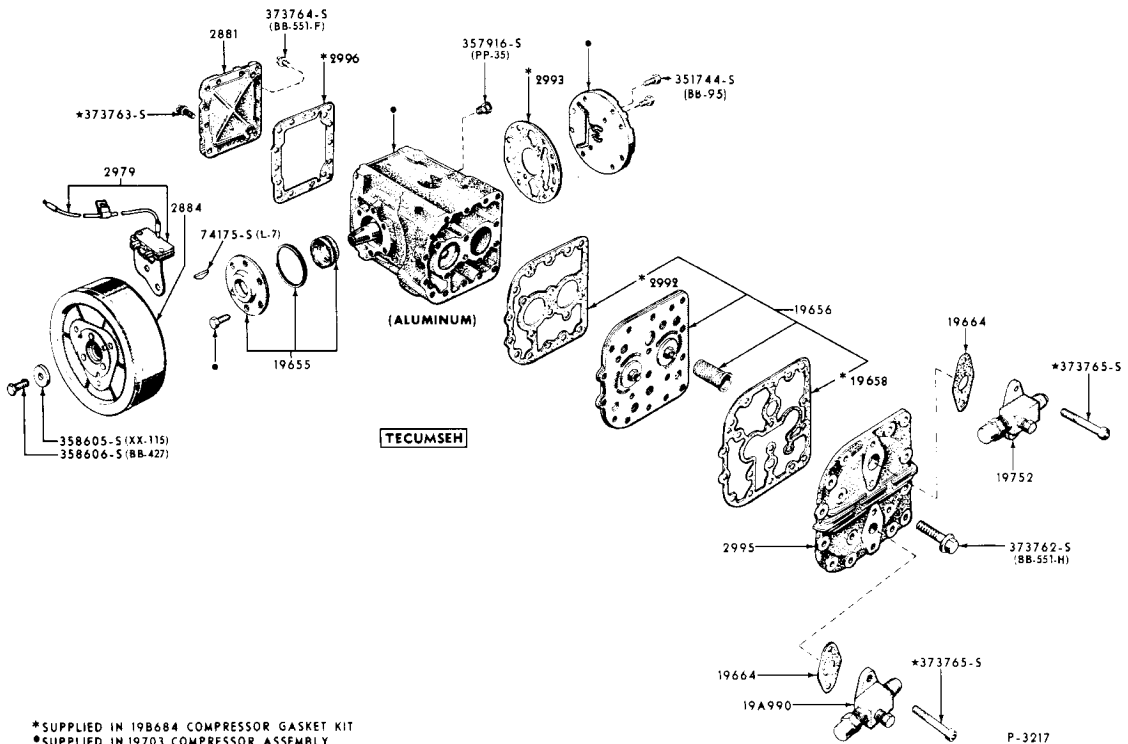
YORK DESIGN

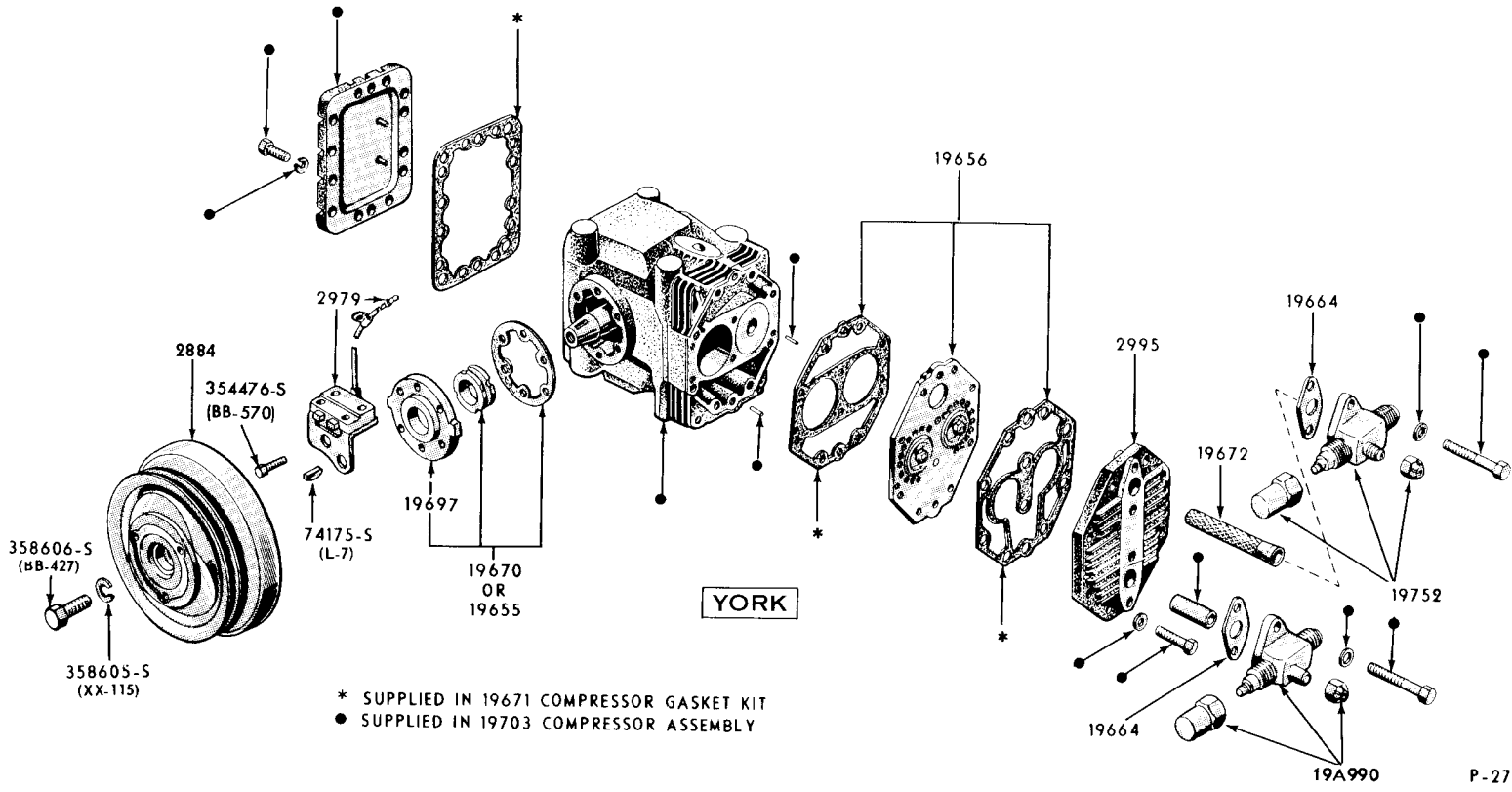


TECUMSEH DESIGN



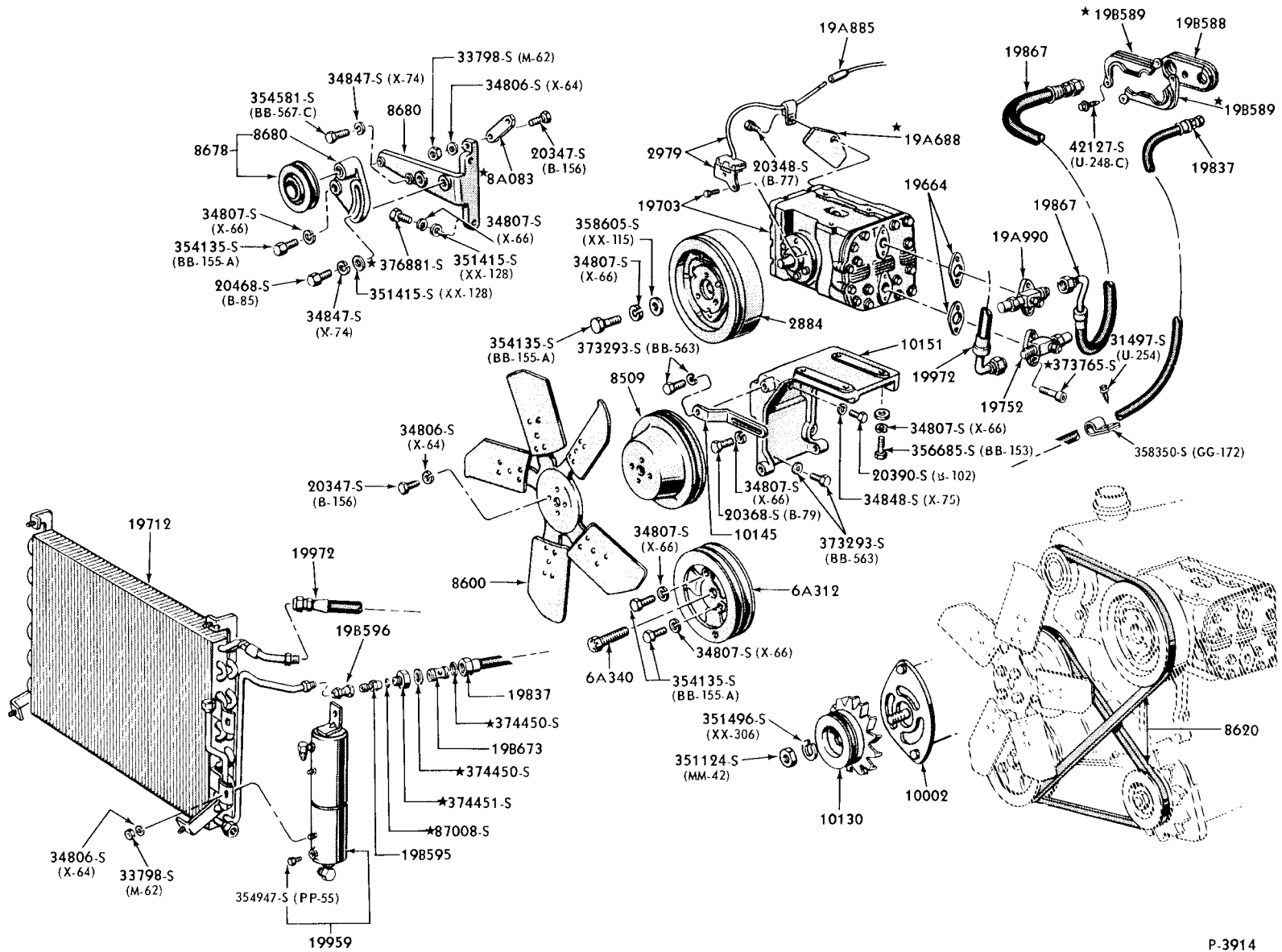
1960/ FORD & THUNDERBIRD INTEGRAL AIR CONDITIONER COMPRESSOR CLUTCHES & RELATED PARTS





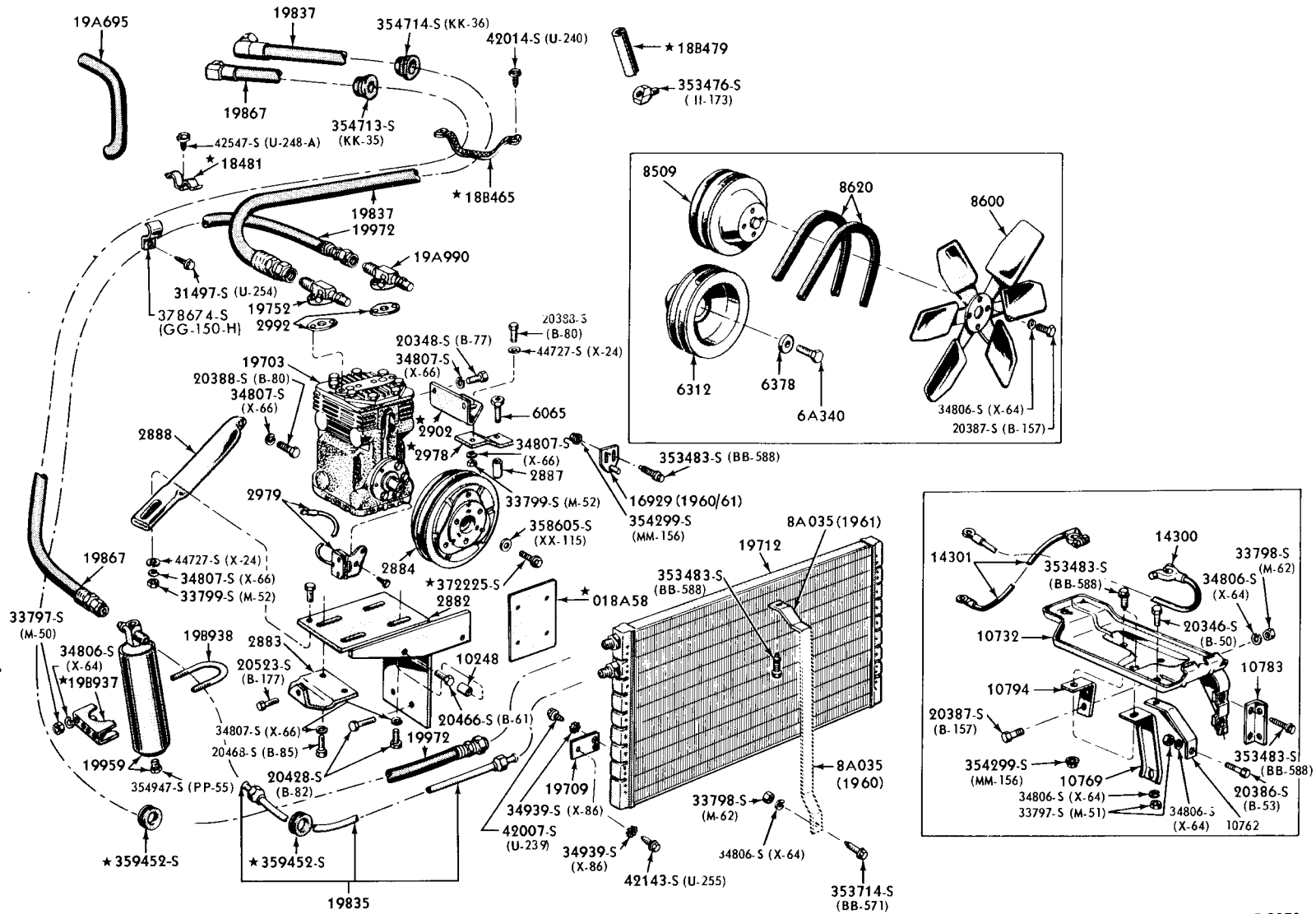
* SUPPLIED IN 19671 COMPRESSOR GASKET KIT
 ● SUPPLIED IN 19703 COMPRESSOR ASSEMBLY

INTEGRAL AIR CONDITIONER COMPRESSOR, PULLEYS & RELATED PARTS
 (SIDE MOUNTED HOSES) 1960 THUNDERBIRD 1960 / FALCON - TYPICAL

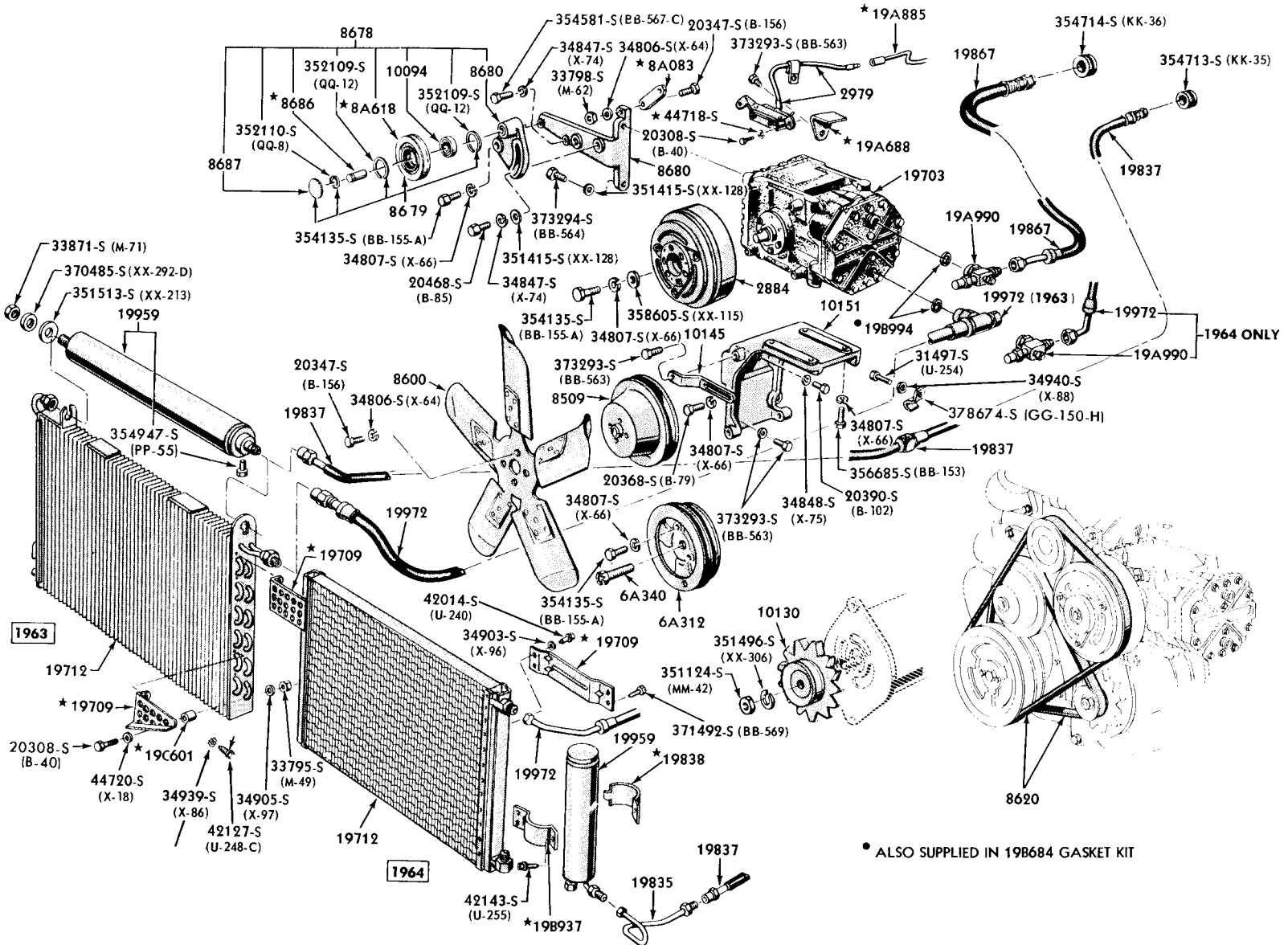


FORD CAR PARTS
ILLUSTRATION SECTION 190

1960/62 FALCON HANG-ON AIR CONDITIONER CONDENSER, COMPRESSOR & RELATED PARTS

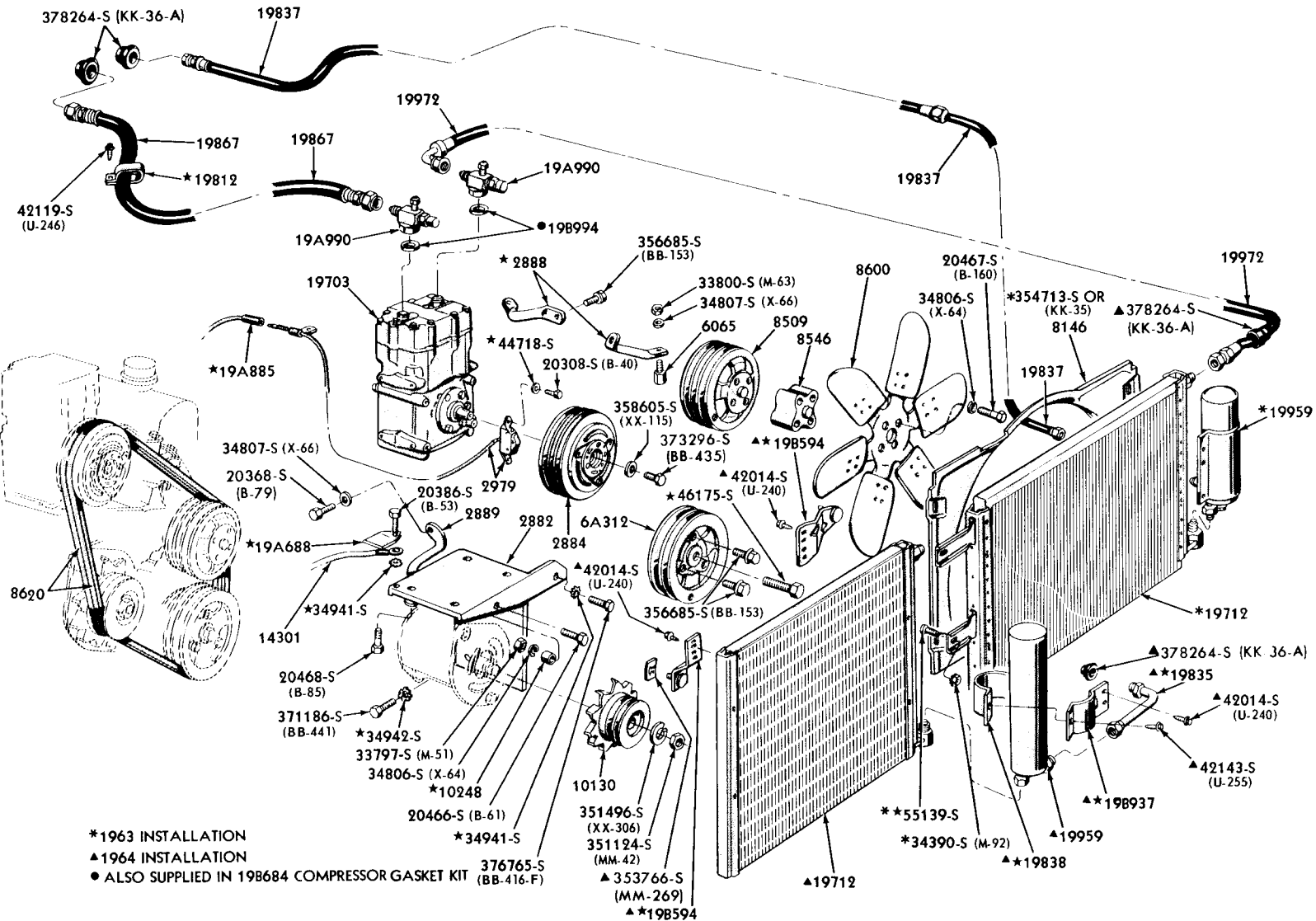


1963/64 AIR CONDITIONER CONDENSER, DEHYDRATOR, COMPRESSOR & RELATED PARTS
(FORD - 6 CYLINDER)



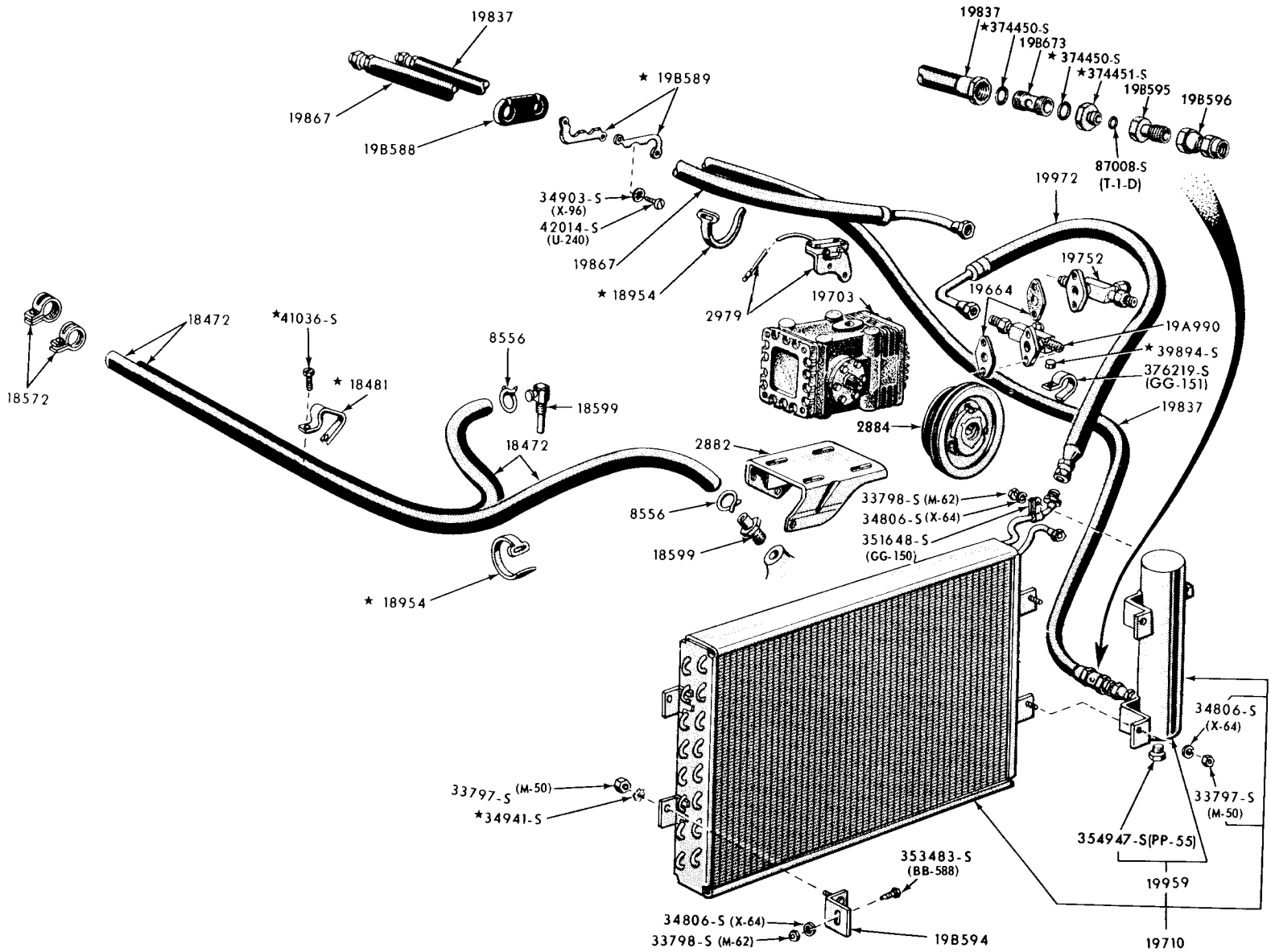
FORD CAR PARTS
ILLUSTRATION SECTION 190

1963 / HANG-ON AIR CONDITIONER CONDENSER, DEHYDRATOR, COMPRESSOR & RELATED PARTS (FALCON-6 CYLINDER)



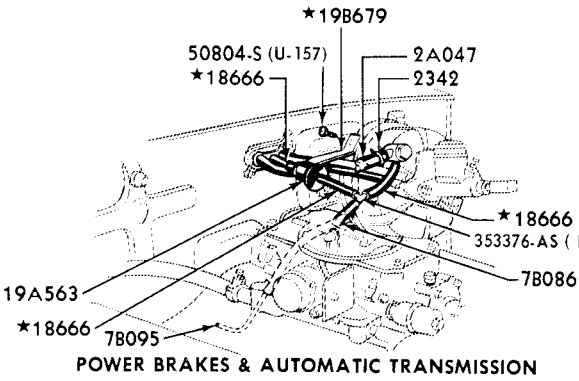
- *1963 INSTALLATION
- ▲1964 INSTALLATION
- ALSO SUPPLIED IN 198684 COMPRESSOR GASKET KIT

1960/61 FORD INTEGRAL & HANG-ON AIR CONDITIONER CONDENSER, DEHYDRATOR, COMPRESSOR & RELATED PARTS (8 CYLINDER)

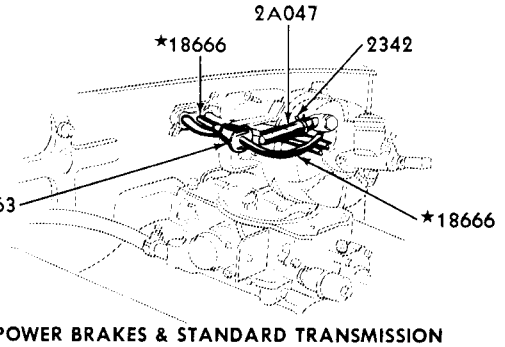


FORD CAR PARTS

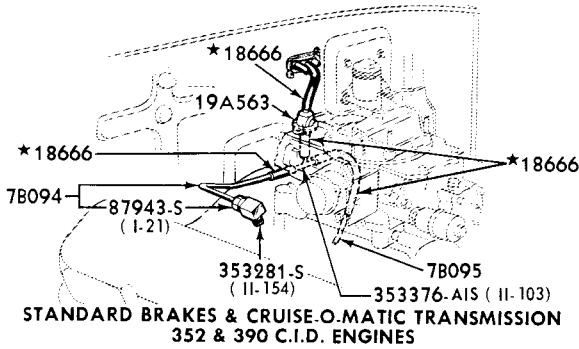
ILLUSTRATION SECTION 190



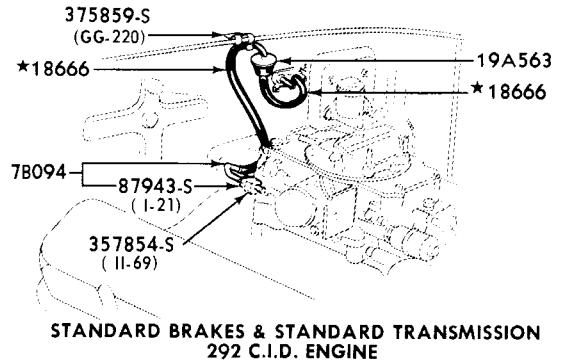
POWER BRAKES & AUTOMATIC TRANSMISSION



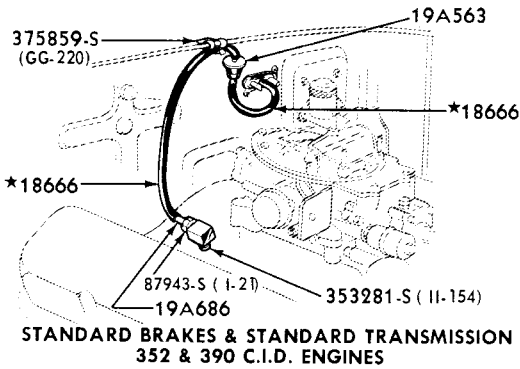
POWER BRAKES & STANDARD TRANSMISSION



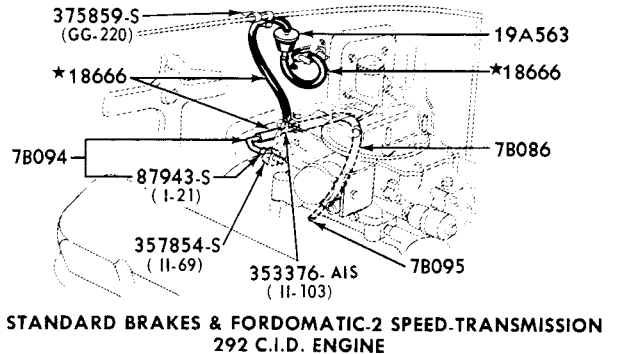
STANDARD BRAKES & CRUISE-O-MATIC TRANSMISSION 352 & 390 C.I.D. ENGINES



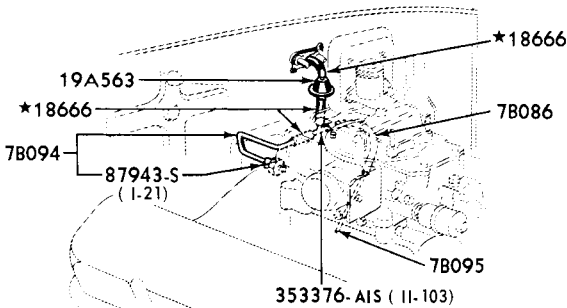
STANDARD BRAKES & STANDARD TRANSMISSION 292 C.I.D. ENGINE



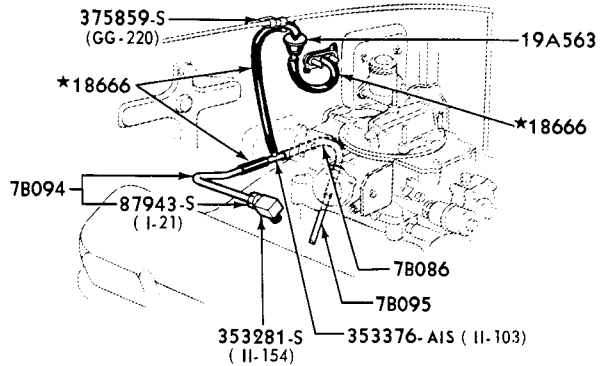
STANDARD BRAKES & STANDARD TRANSMISSION 352 & 390 C.I.D. ENGINES



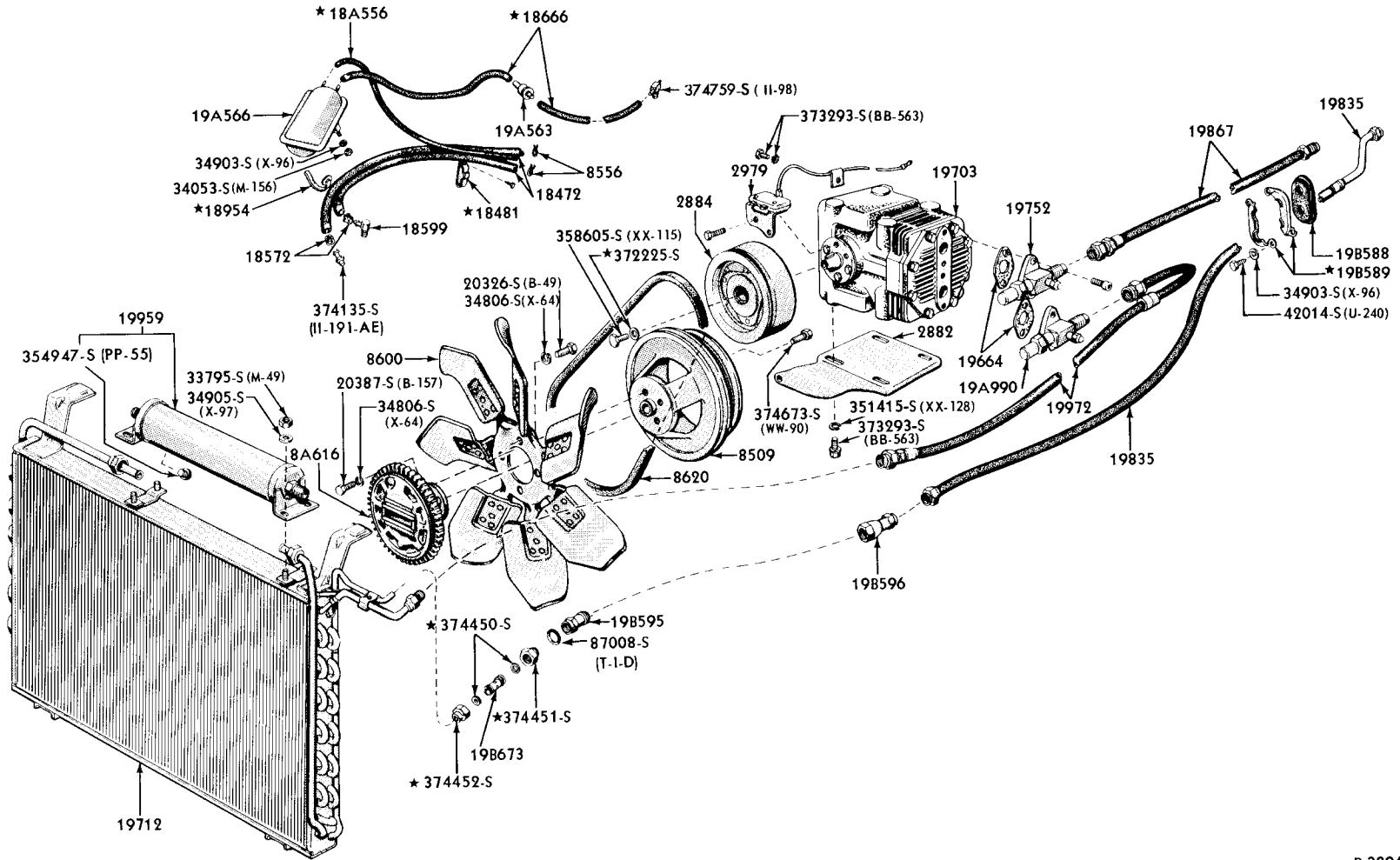
STANDARD BRAKES & FORDOMATIC-2 SPEED-TRANSMISSION 292 C.I.D. ENGINE

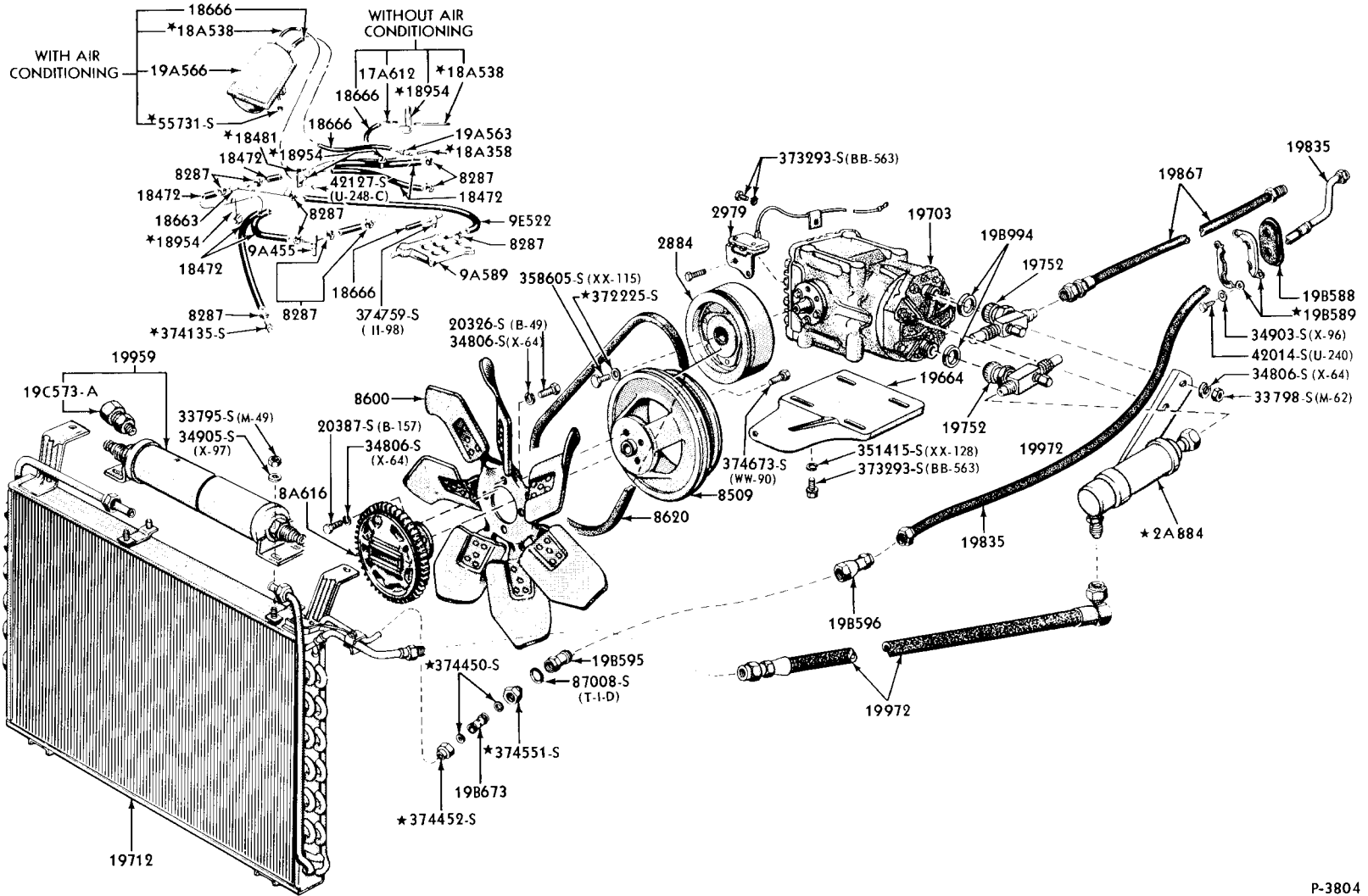


STANDARD BRAKES & CRUISE-O-MATIC TRANSMISSION 292 C.I.D. ENGINE

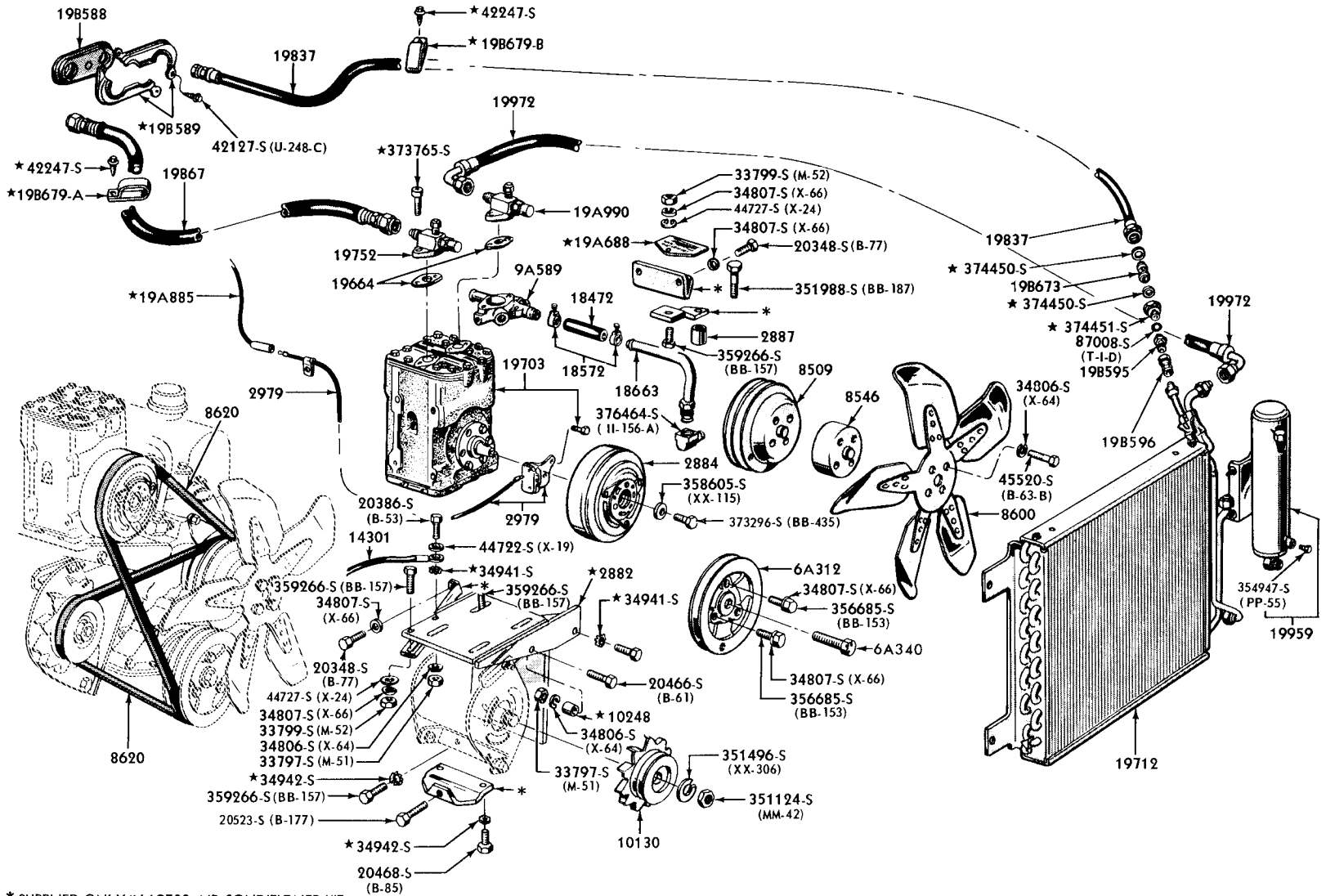


STANDARD BRAKES & FORDOMATIC-2 SPEED-TRANSMISSION 352 C.I.D. ENGINE



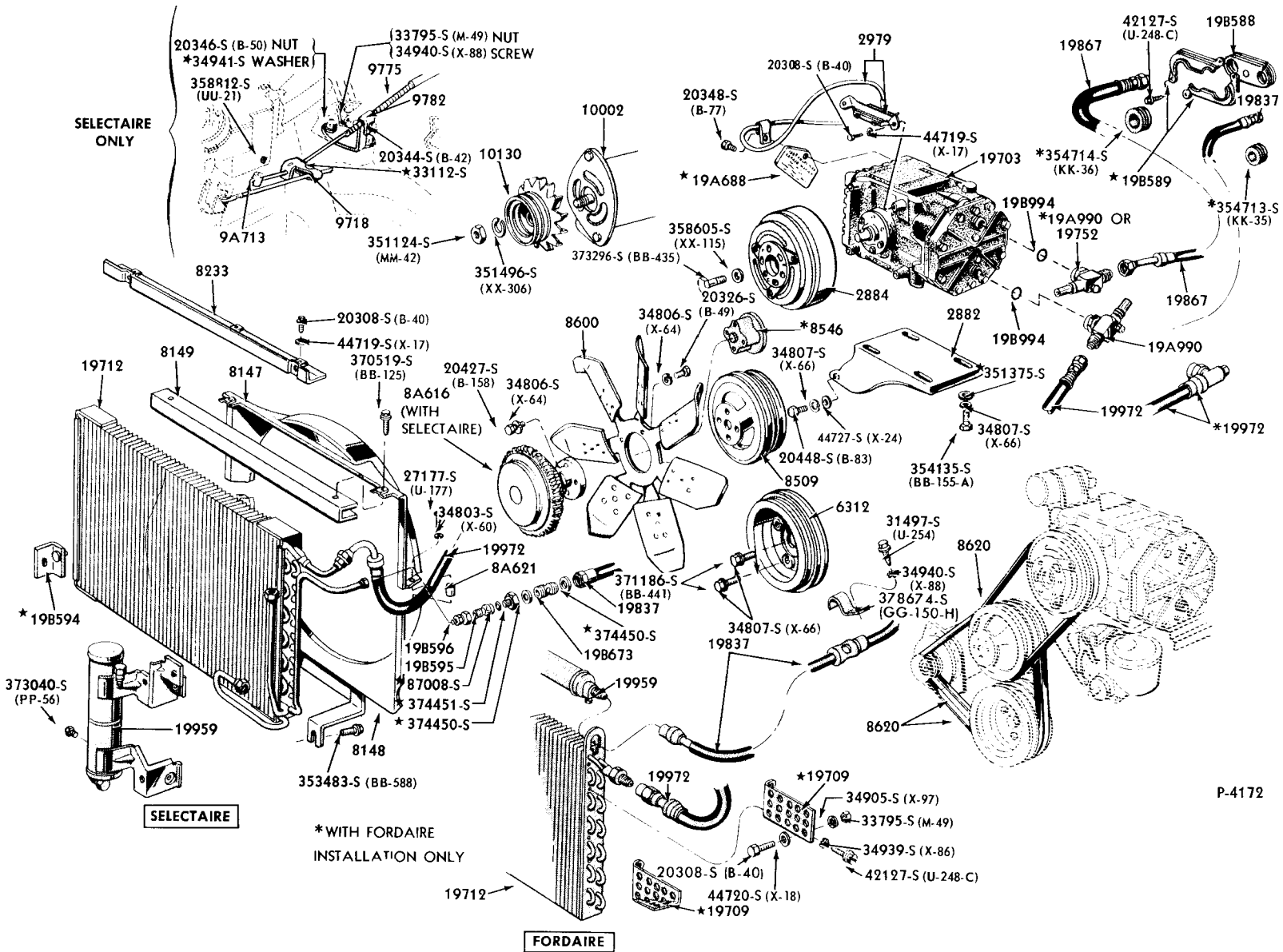


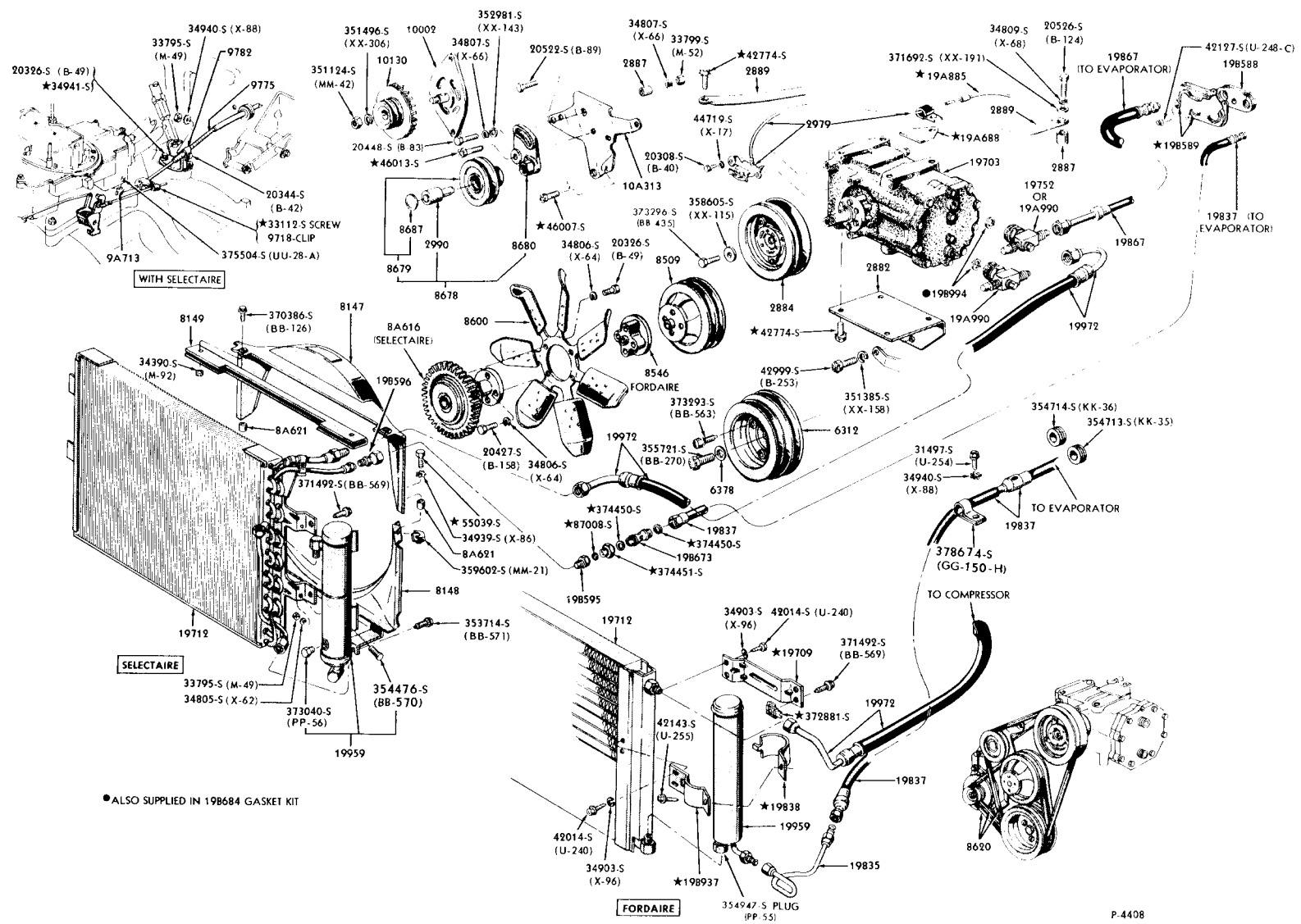
1962/63 THUNDERBIRD INTEGRAL AIR CONDITIONER CONDENSER, DEHYDRATOR, COMPRESSOR, HOSES & RELATED PARTS



* SUPPLIED ONLY IN 19700 AIR CONDITIONER KIT

1963 INTEGRAL AIR CONDITIONER CONDENSER, DEHYDRATOR, COMPRESSOR & RELATED PARTS (FORD-8 CYLINDER 352 & 390)



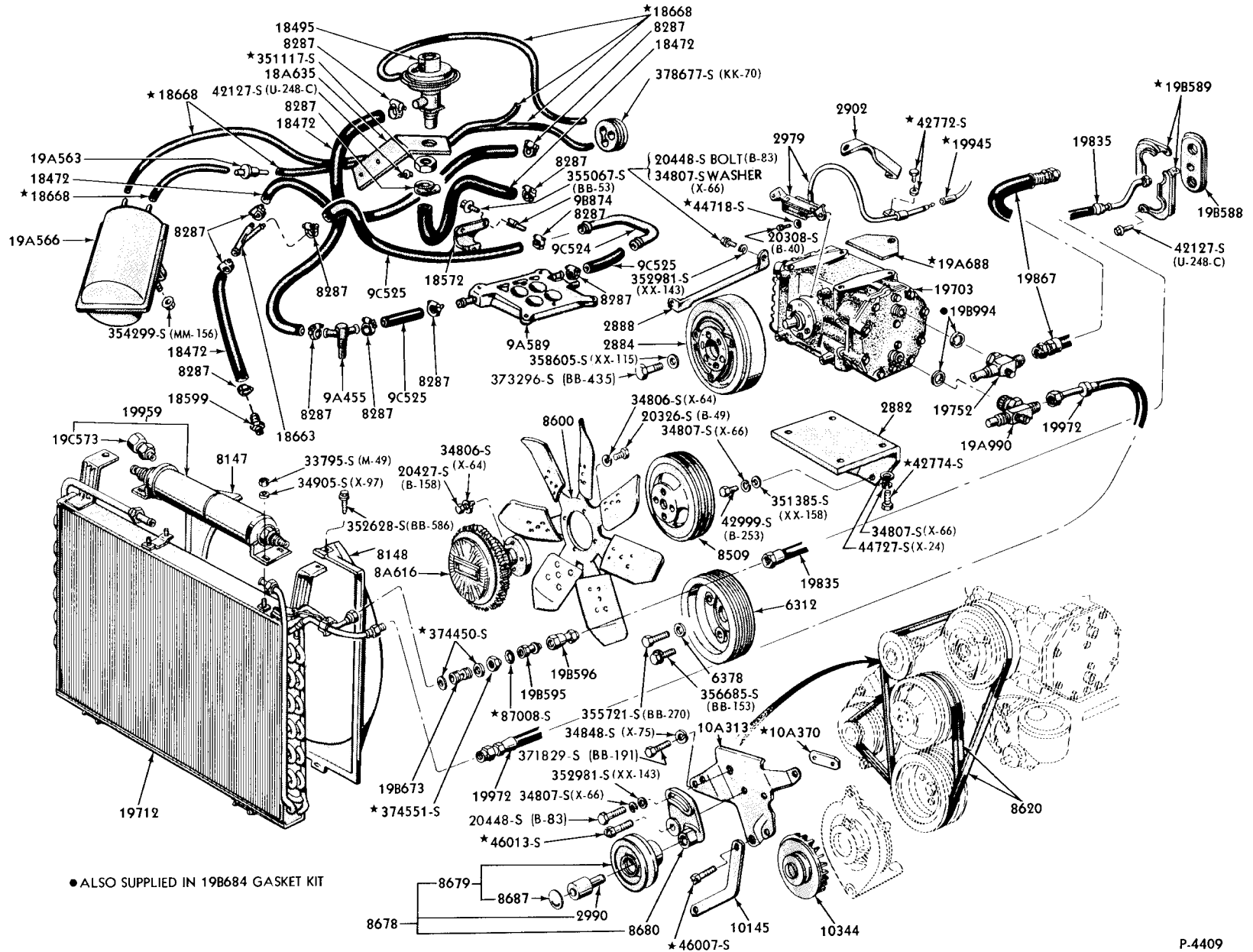


● ALSO SUPPLIED IN 198684 GASKET KIT

FORDAIRE

P-4408

1964 AIR CONDITIONER CONDENSER, DEHYDRATOR, COMPRESSOR & RELATED PARTS (FORD-8 CYLINDER 352 & 390)

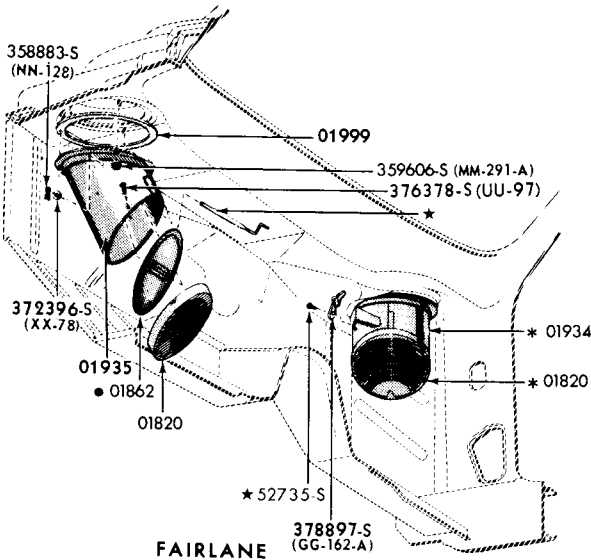


● ALSO SUPPLIED IN 19B684 GASKET KIT

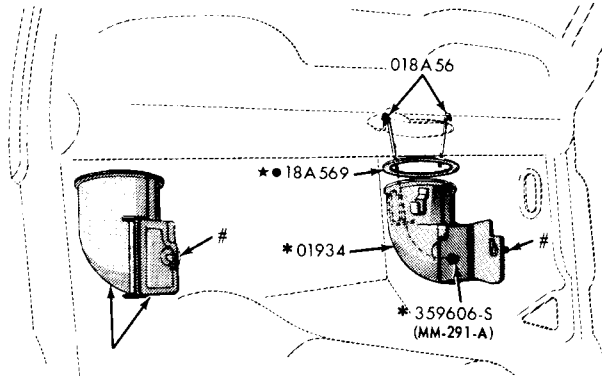
INDEX

INCLUDED IN THIS INDEX ARE THE FOLLOWING MAJOR GROUPS IN THE ORDER SHOWN BELOW -

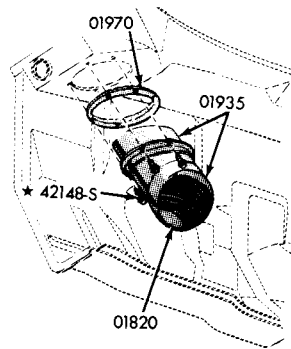
VENTILATING SYSTEM		WINDSHIELD		CONSOLE	
YEAR	TITLE	ILLUS. NO.	SECTION	PAGE	
VENTILATING SYSTEM					
1963/	Cowl Air Ducts-Ford-Fairlane-Falcon - Typical	P-4020	000	592	
1964/	Thunderbird Vacuum Ventilating System - Body Type 63	P-4406	000	593	
WINDSHIELD					
FAIRLANE					
1962/	Windshield and Related Parts - Body Types 54,62,71	P-3759	030	596	
1963/	Windshield and Related Parts - Body Type 65	P-4018	030	600	
FALCON					
1960/	Windshield and Related Parts - except Body Types 63,76	P-3156	030	596	
1963/	Windshield and Related Parts - Body Type 76	P-4019	030	600	
1963/	Windshield and Related Parts - Body Type 63	P-4092	030	599	
FORD					
1960/62	Windshield and Related Parts - except Body Type 76	P-3013	030	594	
1960/62	Windshield and Related Parts - Body Type 76	P-3014	030	594	
1963/64	Windshield and Related Parts - except Body Types 57,63,76	P-4021	030	598	
1963/64	Windshield and Related Parts - Body Types 57,63	P-4090	030	599	
1963/64	Windshield and Related Parts - Body Type 76	P-4022	030	598	
THUNDERBIRD					
1960	Windshield and Related Parts - Body Type 63	P-2614	030	595	
1960	Windshield and Related Parts - Body Type 76	P-2664	030	595	
1961/63	Windshield and Related Parts - Body Type 63	P-3340	030	597	
1961/63	Windshield and Related Parts - Body Type 76	P-3341	030	597	
1964/	Windshield and Related Parts - Body Type 63	P-4336	030	601	
1964/	Windshield and Related Parts - Body Type 76	P-4337	030	601	
CONSOLE					
FAIRLANE					
1962/	Console and Related Parts - except Body Type 65B	P-3618	042	603	
1963/	Console and Related Parts - Body Type 65B	P-3971	042	603	
FALCON					
1961/	Console and Related Parts - except Sprint	P-3618	042	603	
1964/	Console and Related Parts - Body Types 63C,D,66H,76B,D	P-4497	042	606	
FORD					
1962/64	Console and Related Parts	P-3856	042	604	
THUNDERBIRD					
1961/63	Console and Related Parts	P-3359	042	602	
1964/	Console and Related Parts	P-4355	042	605	



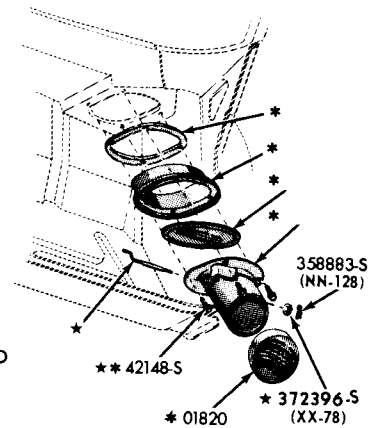
FAIRLANE



FALCON

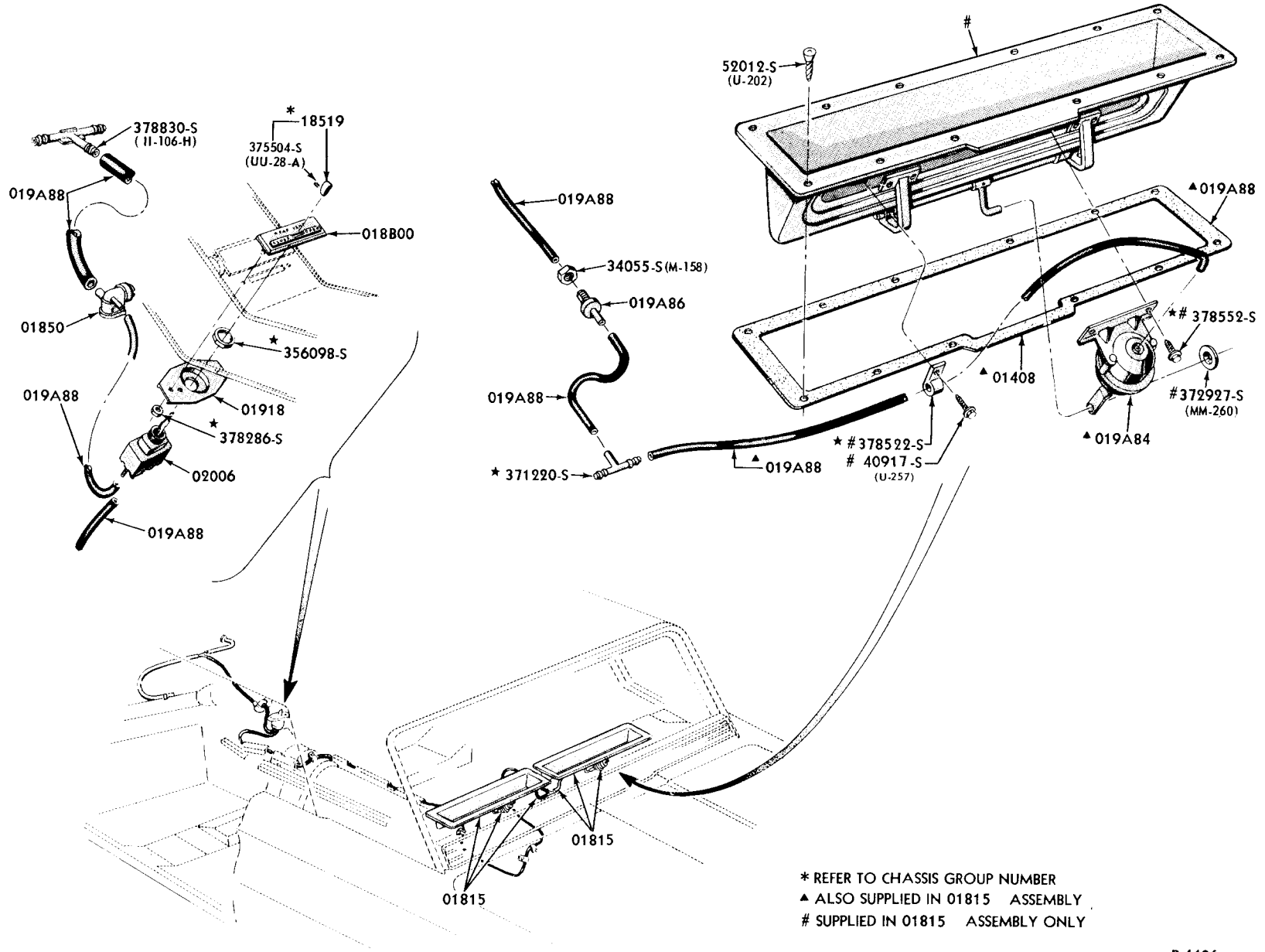


1963/64 FORD

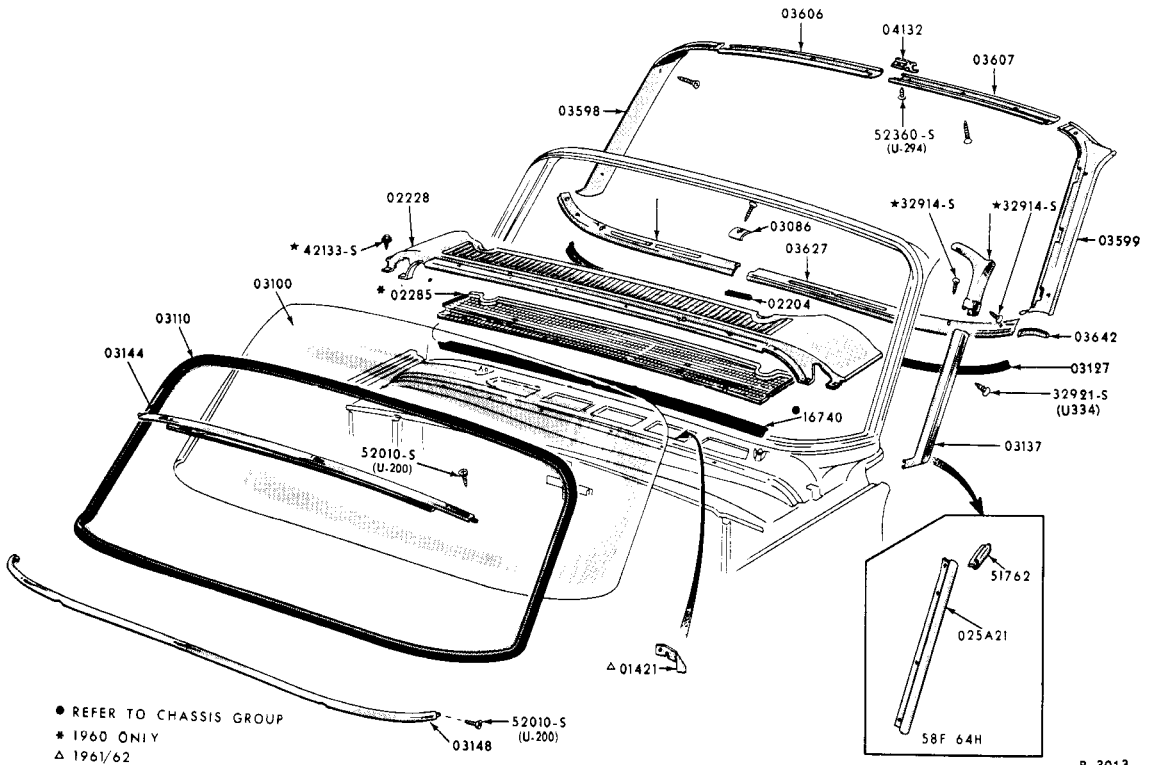


- # HANDLE ALSO SUPPLIED IN 18B578 KIT CHASSIS GROUP
- * NOT USED WHEN HEATER IS INSTALLED
- INCLUDED WITH 01934-5

P4020

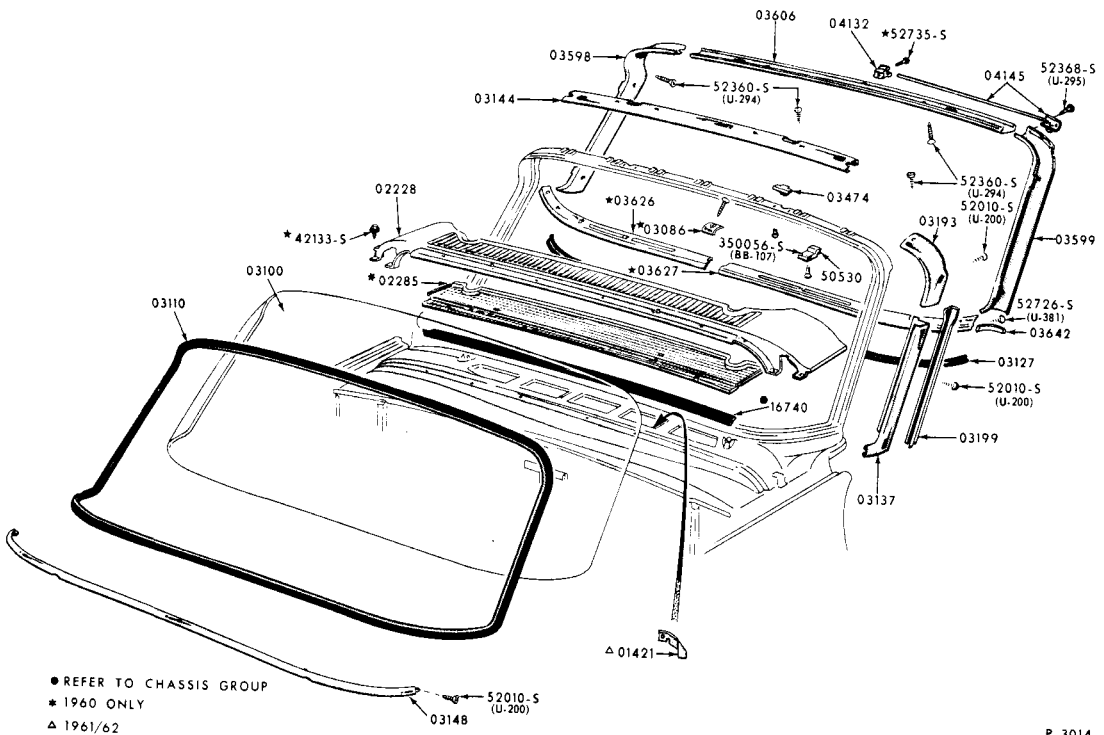


* REFER TO CHASSIS GROUP NUMBER
 ▲ ALSO SUPPLIED IN 01815 ASSEMBLY
 # SUPPLIED IN 01815 ASSEMBLY ONLY



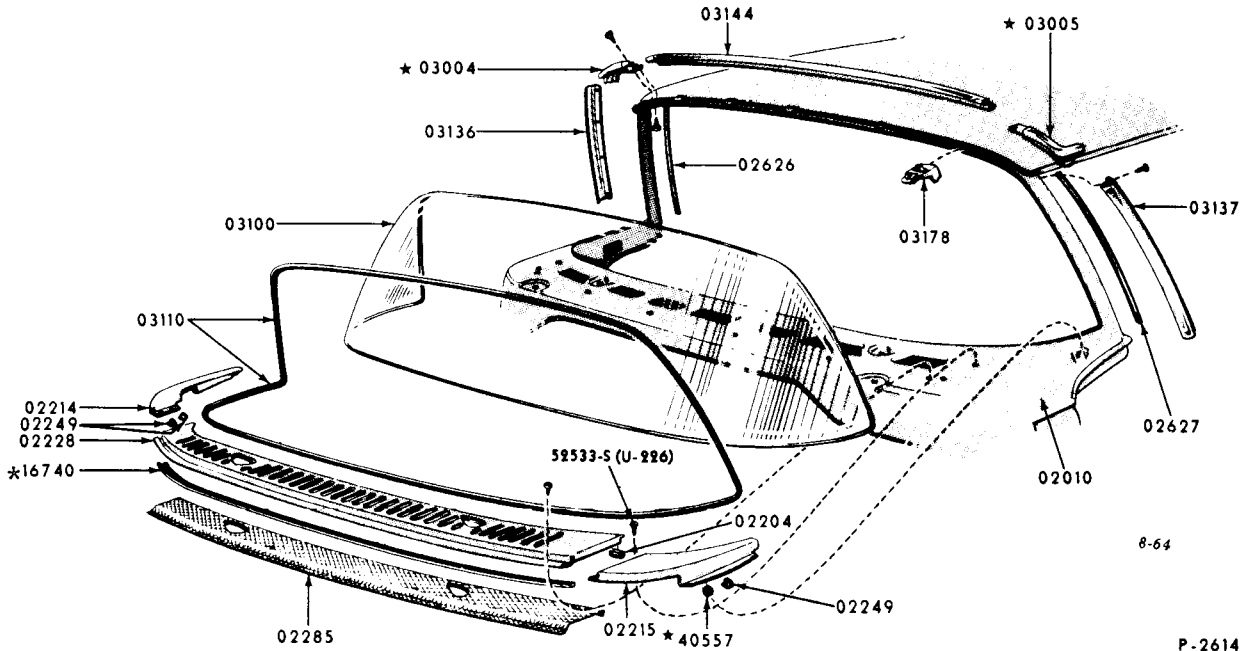
P-3013

1960/62 FORD WINDSHIELD PARTS-BODY TYPE A(EXCEPT 76)



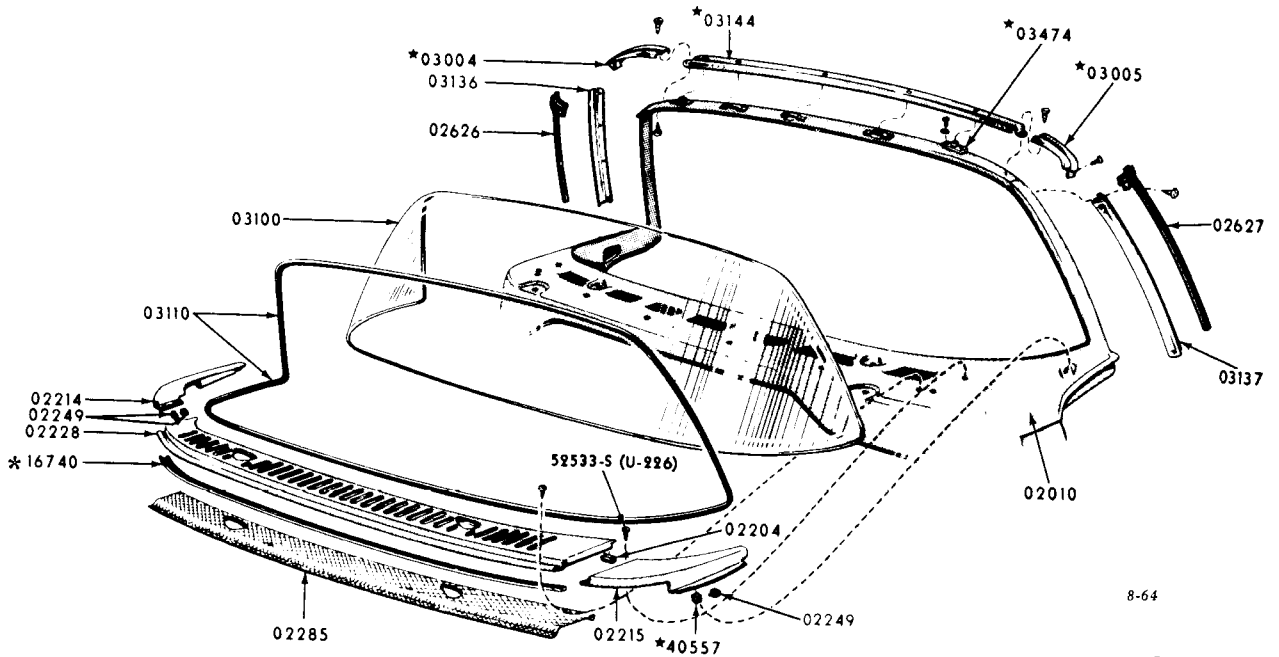
P-3014

1960/62 FORD WINDSHIELD PARTS -BODY TYPE A(76)



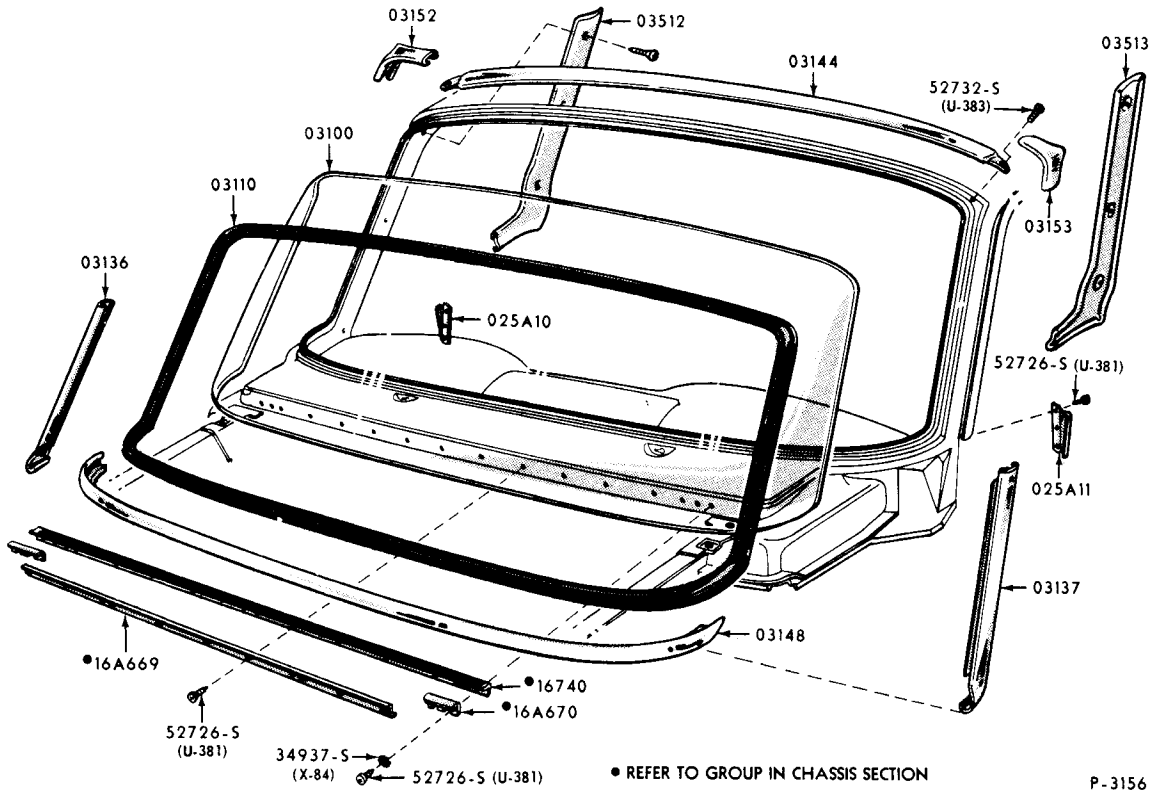
* REFER TO GROUP IN CHASSIS SECTION

1960 THUNDERBIRD WINDSHIELD PARTS - BODY TYPE S(63A)

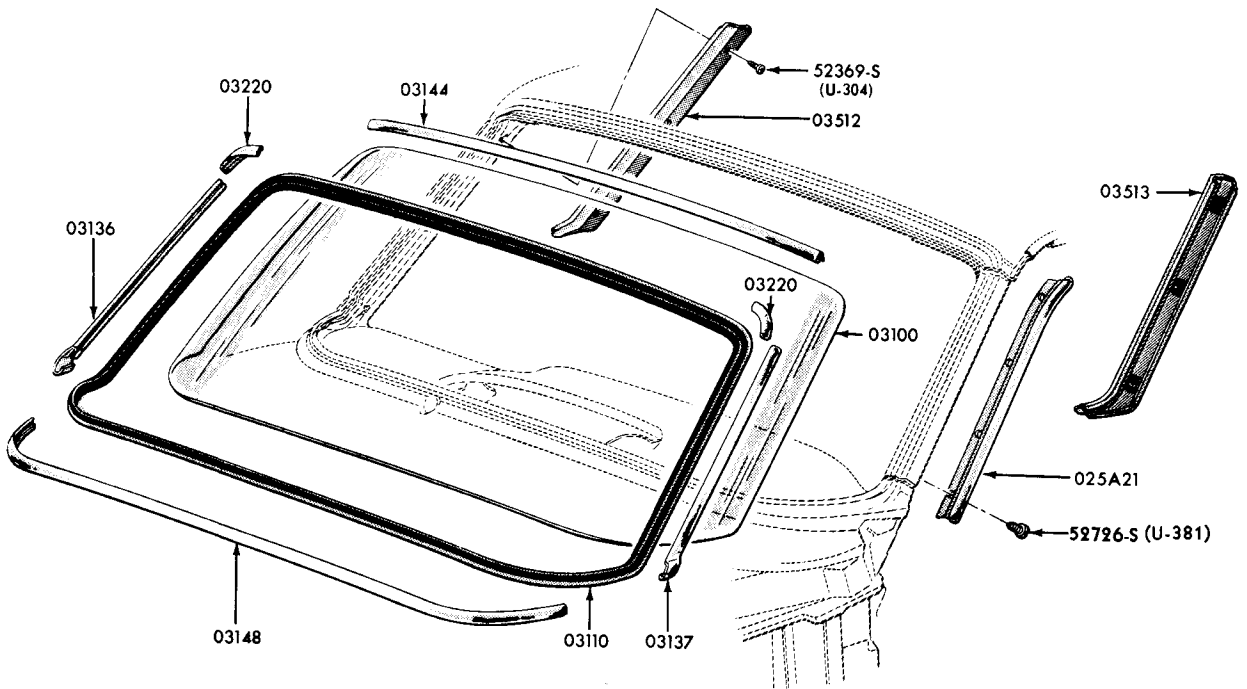


* REFER TO GROUP IN CHASSIS SECTION

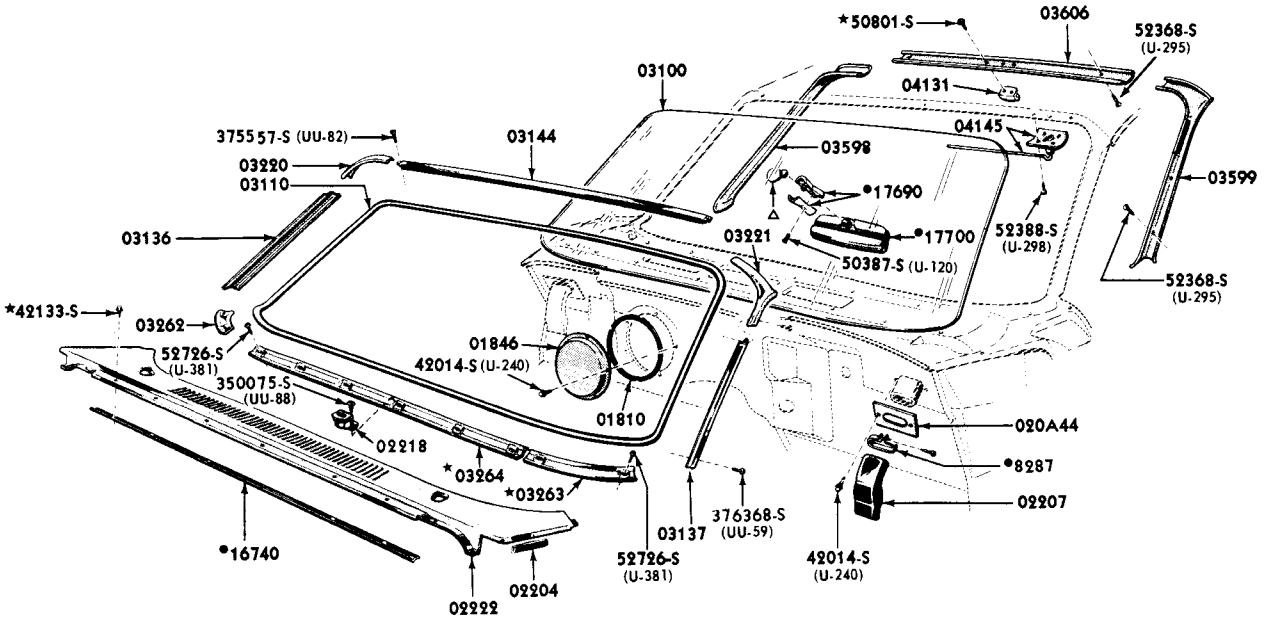
1960 THUNDERBIRD CONVERTIBLE WINDSHIELD & RELATED PARTS - BODY TYPE S(76A)



1960/ FALCON WINDSHIELD PARTS - BODY TYPES X (except 63, 76)



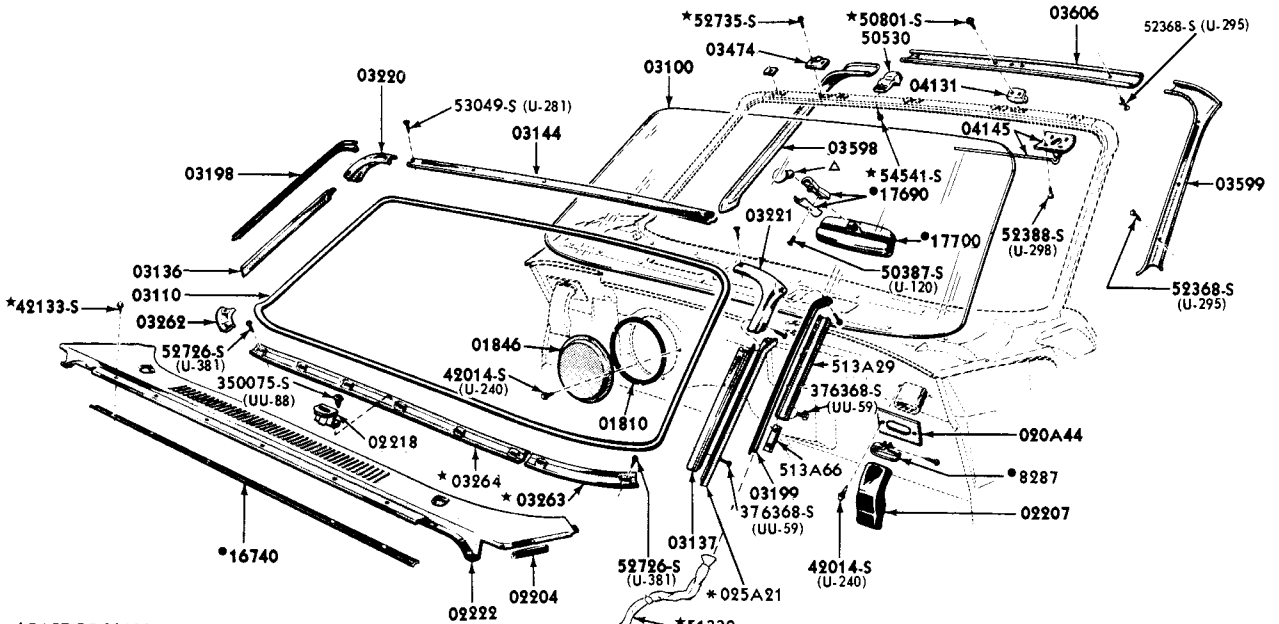
1962/ FAIRLANE WINDSHIELD PARTS-BODY TYPE B (54, 62, 71)



△ PART OF 03100
 ● REFER TO GROUP IN CHASSIS SECTION

P-3340

1961/63 THUNDERBIRD WINDSHIELD PARTS - BODY TYPE S (63)

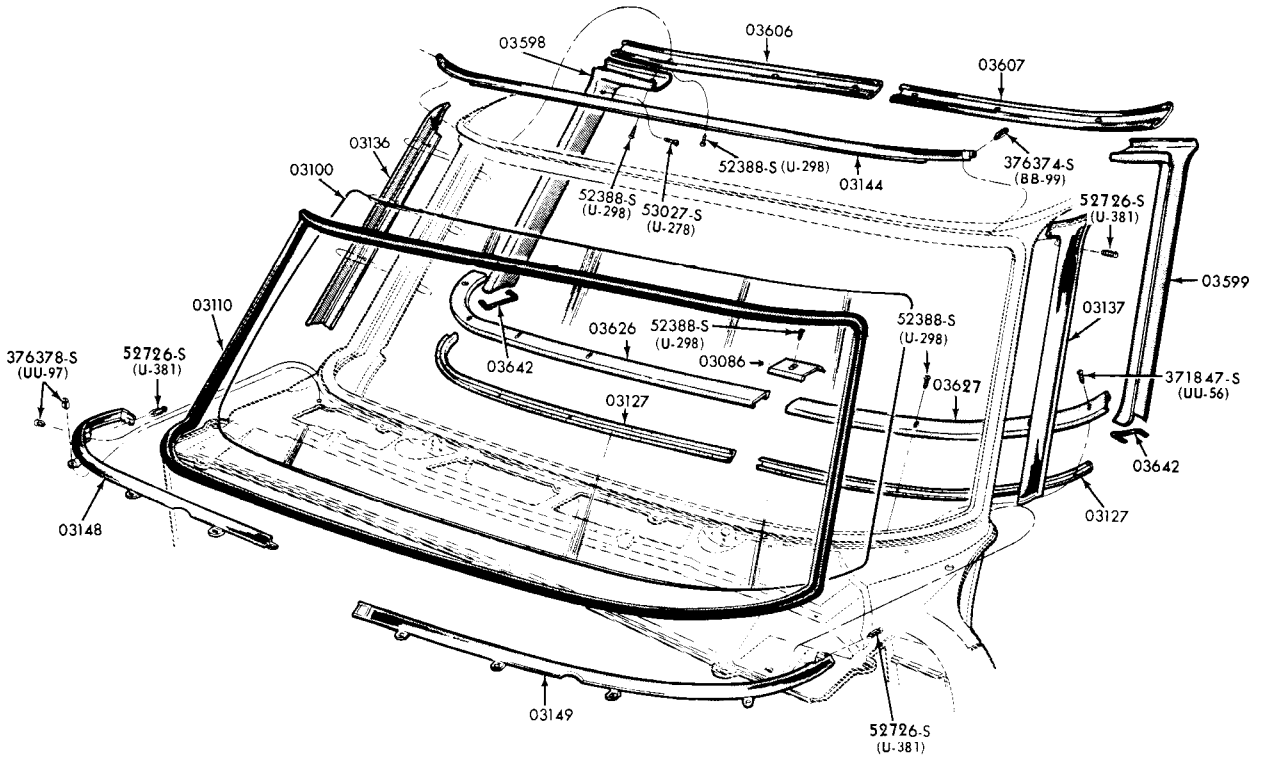


△ PART OF 03100
 ● REFER TO GROUP IN CHASSIS SECTION
 * 1962 UNITS

P-3341

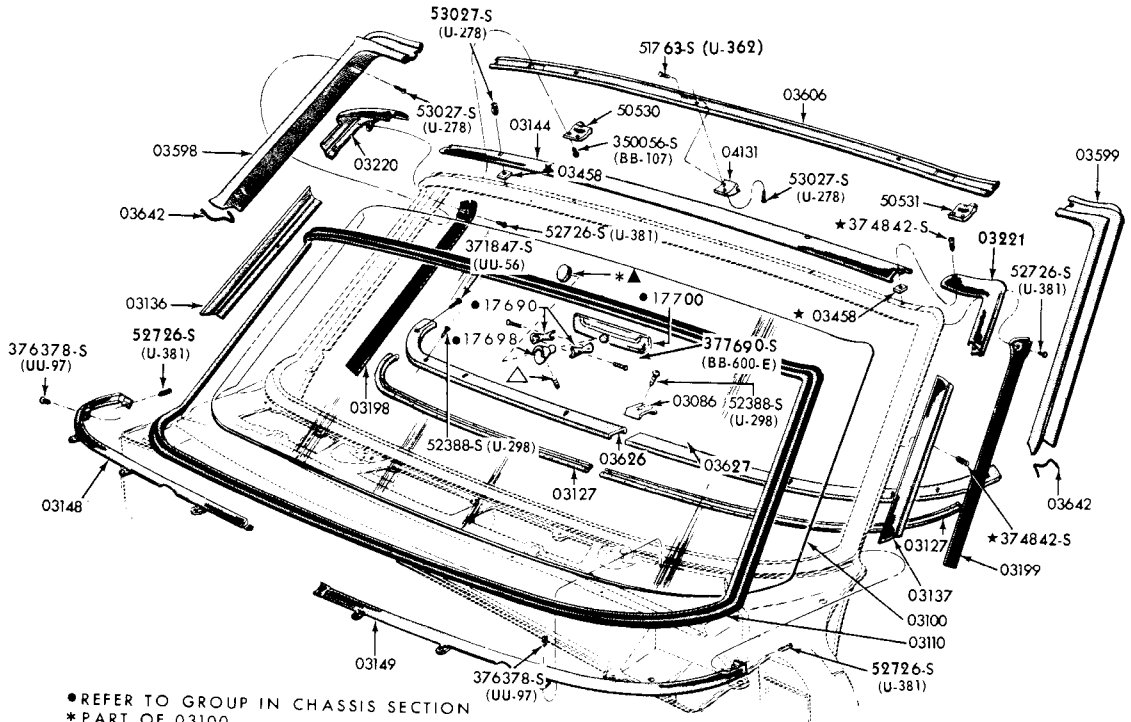
1961/63 THUNDERBIRD CONVERTIBLE WINDSHIELD & RELATED PARTS-BODY TYPE S (76)

FORD CAR PARTS



P-4021

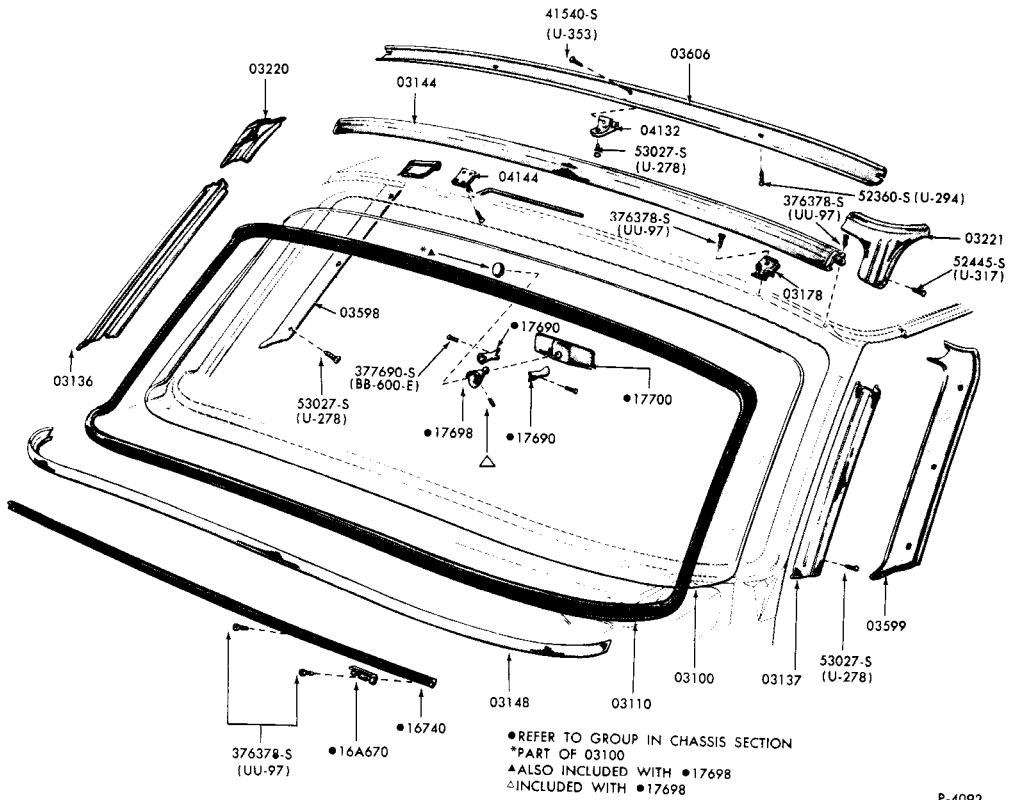
1963/64 FORD WINDSHIELD PARTS - BODY TYPES A(except 57,63,76)



- REFER TO GROUP IN CHASSIS SECTION
- * PART OF 03100
- ▲ ALSO INCLUDED WITH ●17698
- △ INCLUDED WITH ●17698

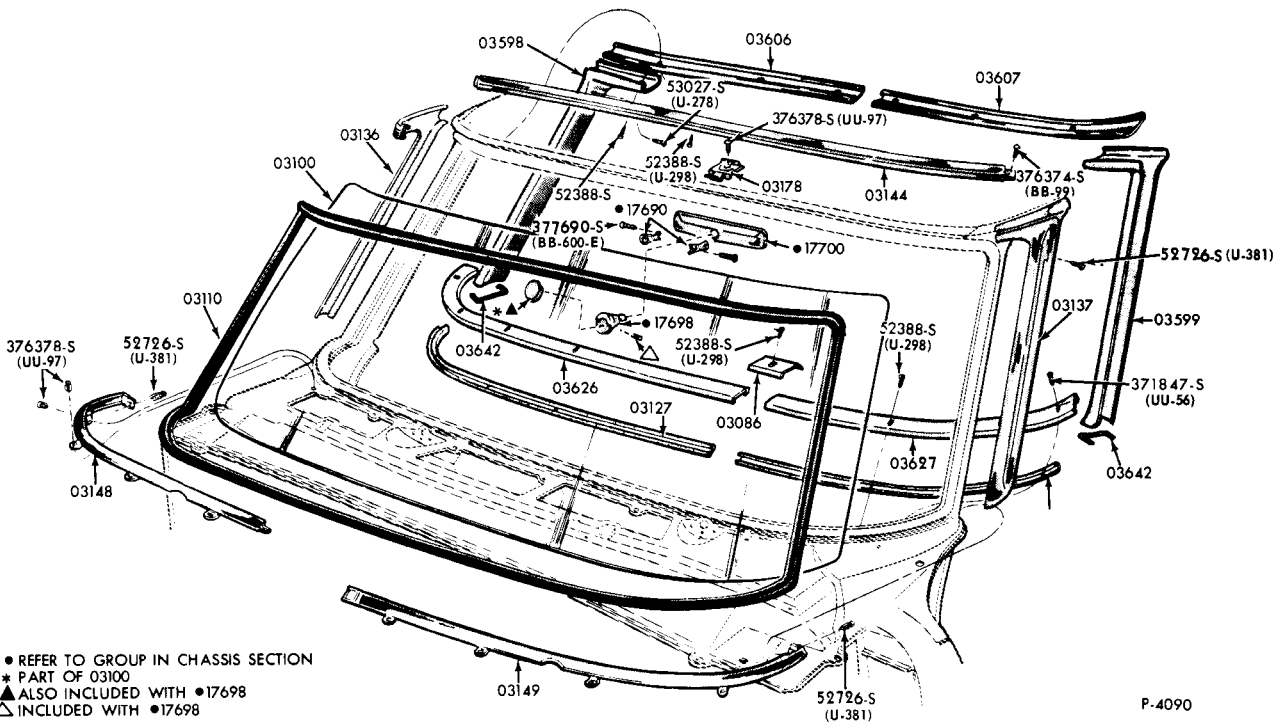
P-4022

1963/64 FORD WINDSHIELD PARTS - BODY TYPE A(76)



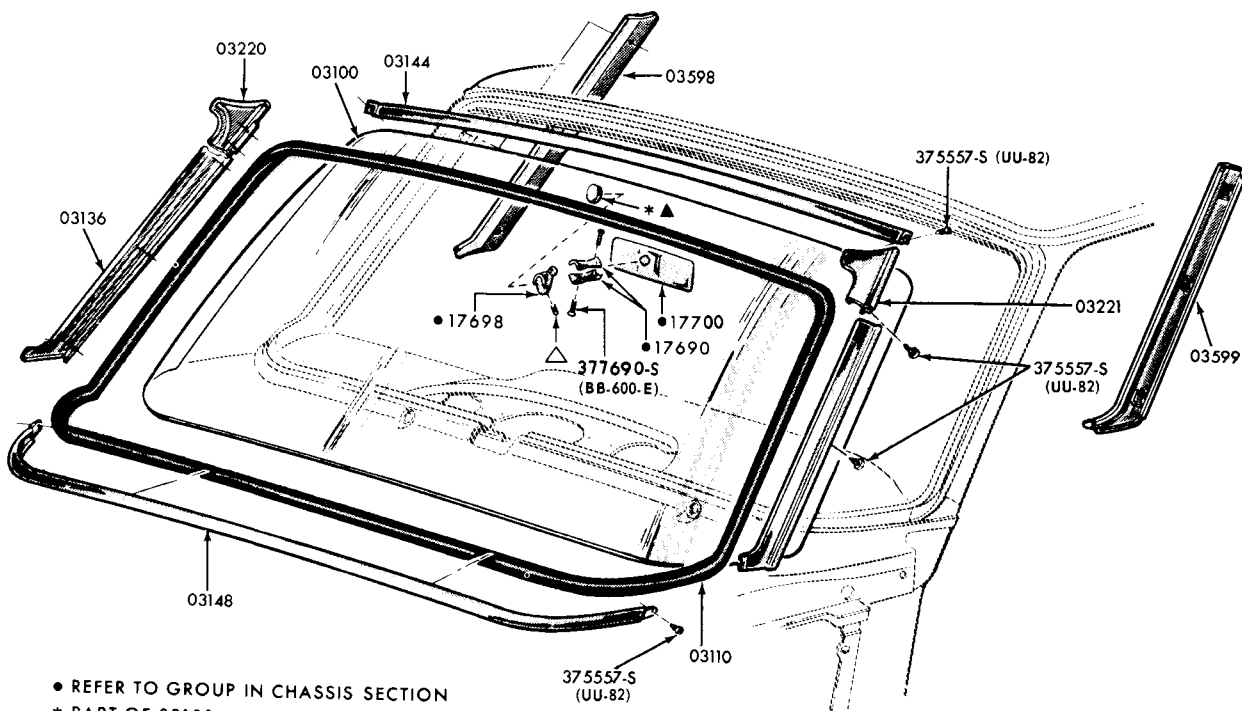
P-4092

1963/ FALCON WINDSHIELD PARTS - BODY TYPE X(63)



P-4090

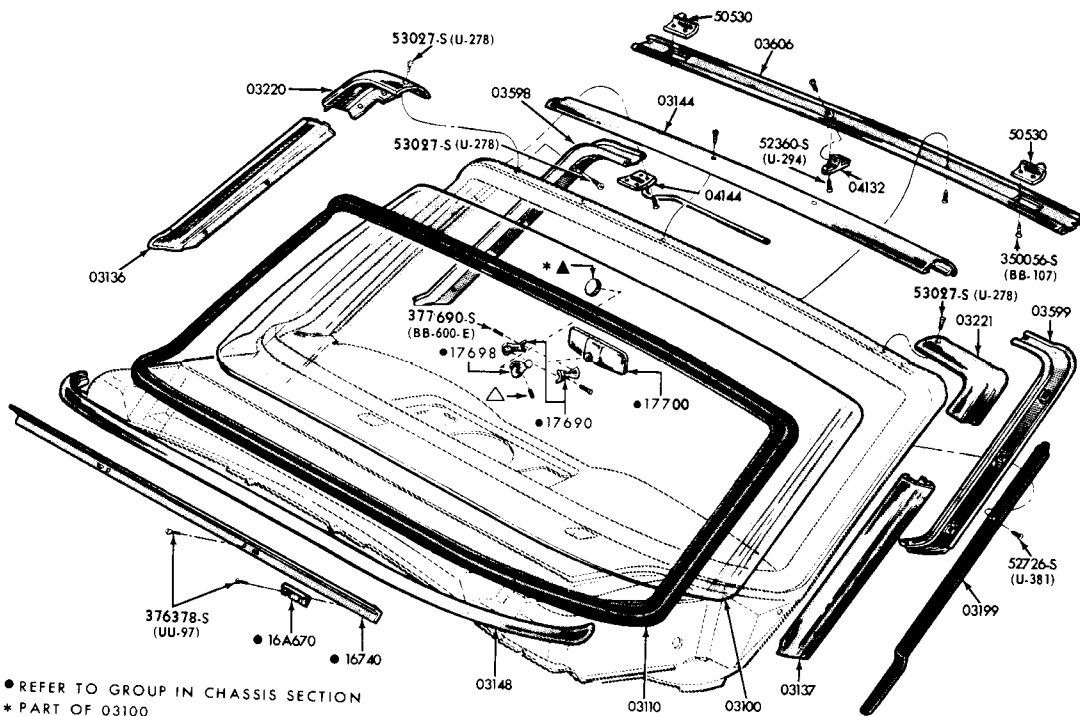
1963/64 FORD WINDSHIELD PARTS - BODY TYPES A(57, 63)



- REFER TO GROUP IN CHASSIS SECTION
- * PART OF 03100
- ▲ ALSO INCLUDED WITH ●17698
- △ INCLUDED WITH ●17698

P-4018

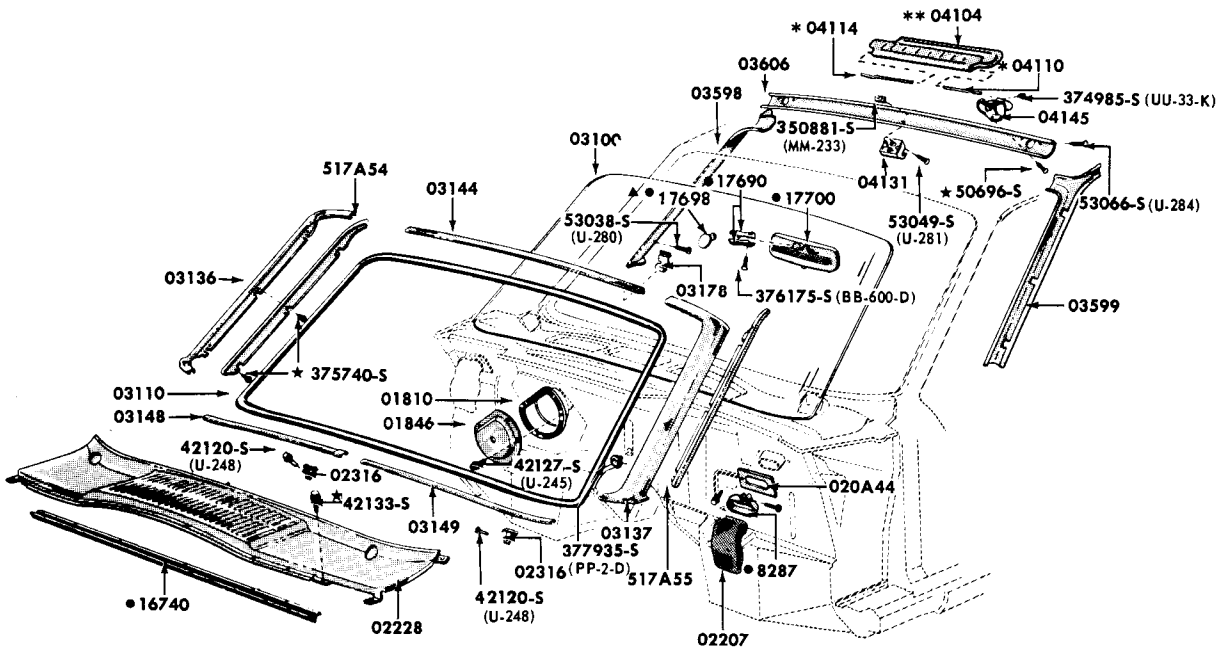
1963/ FAIRLANE WINDSHIELD PARTS - BODY TYPE B(65)



- REFER TO GROUP IN CHASSIS SECTION
- * PART OF 03100
- ▲ ALSO INCLUDED WITH ●17698
- △ INCLUDED WITH ●17698

P-4019

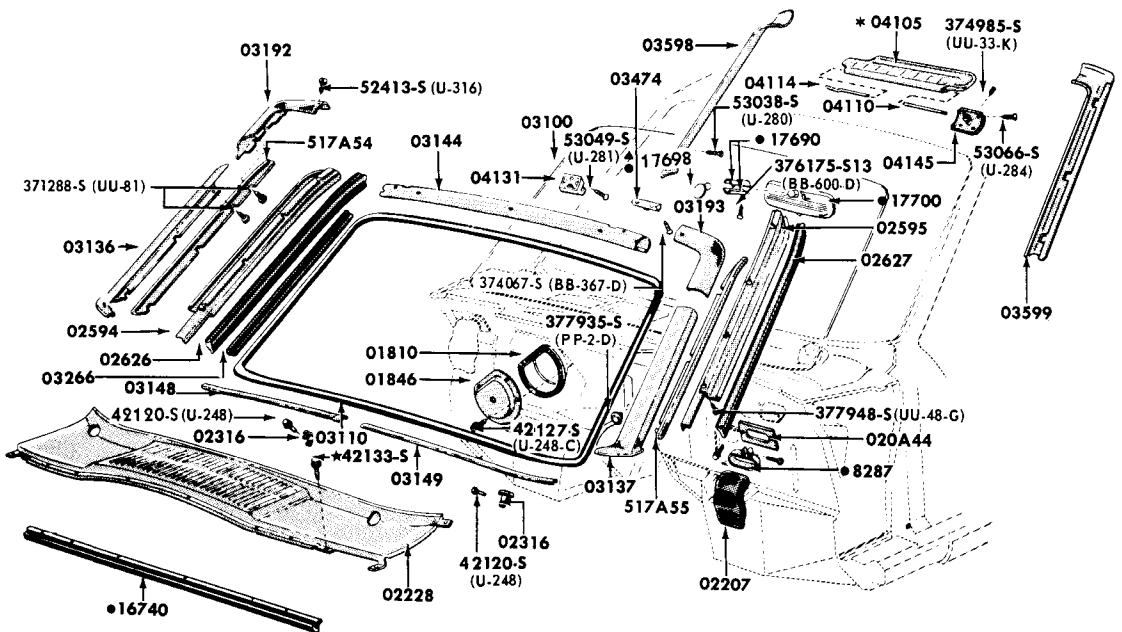
1963/ FALCON WINDSHIELD PARTS - BODY TYPE X(76)



- ▲ ALSO INCLUDED IN 03100
- REFER TO GROUP IN CHASSIS SECTION
- * ALSO INCLUDED WITH 04104
- ** REFER TO SOFT TRIM SECTION

P-4336

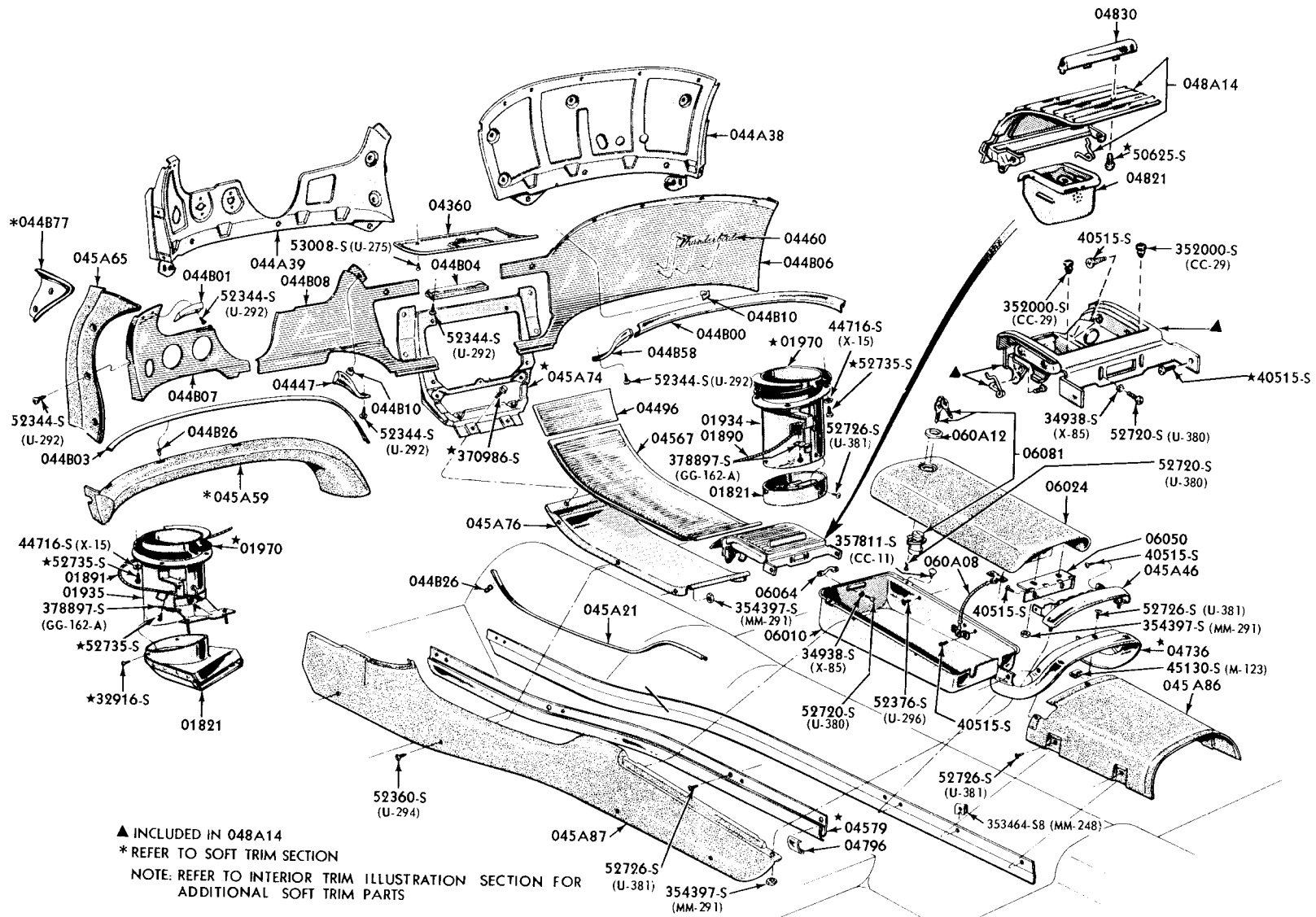
1964/ THUNDERBIRD WINDSHIELD PARTS - BODY TYPES S(63)



- ▲ ALSO INCLUDED IN 03100
- REFER TO GROUP IN CHASSIS SECTION
- * REFER TO GROUP IN SOFT TRIM SECTION

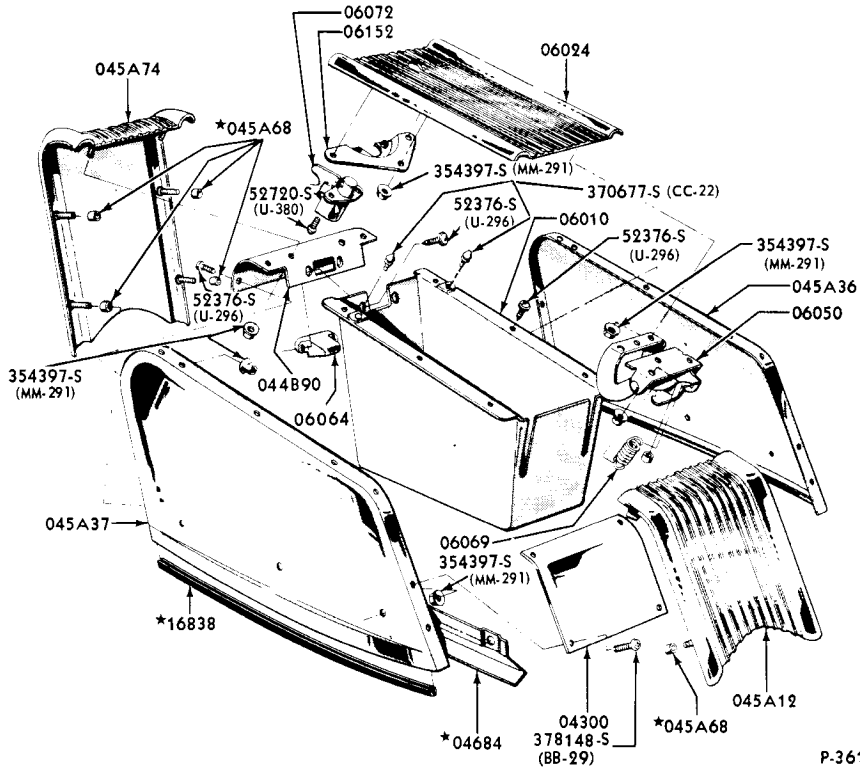
P-4337

1964/ THUNDERBIRD CONVERTIBLE WINDSHIELD & RELATED PARTS - BODY TYPE S(76)

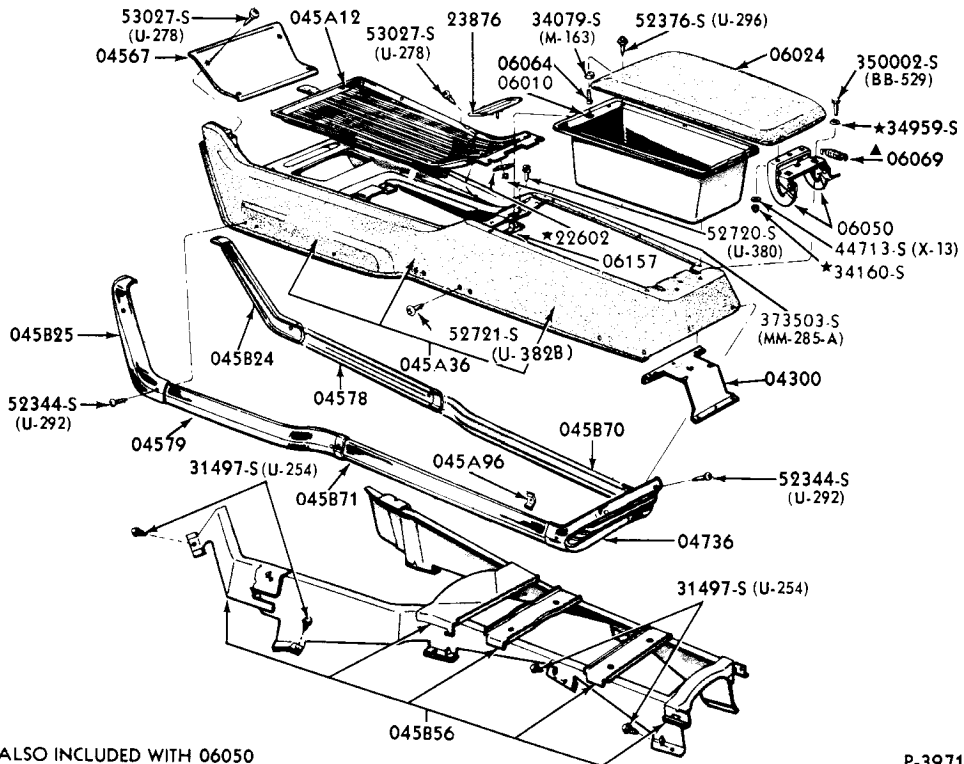


▲ INCLUDED IN 048A14
 * REFER TO SOFT TRIM SECTION
 NOTE: REFER TO INTERIOR TRIM ILLUSTRATION SECTION FOR
 ADDITIONAL SOFT TRIM PARTS

1961/63 THUNDERBIRD CONSOLE PANELS, MOULDINGS and RELATED PARTS. BODY TYPES S-TYPICAL

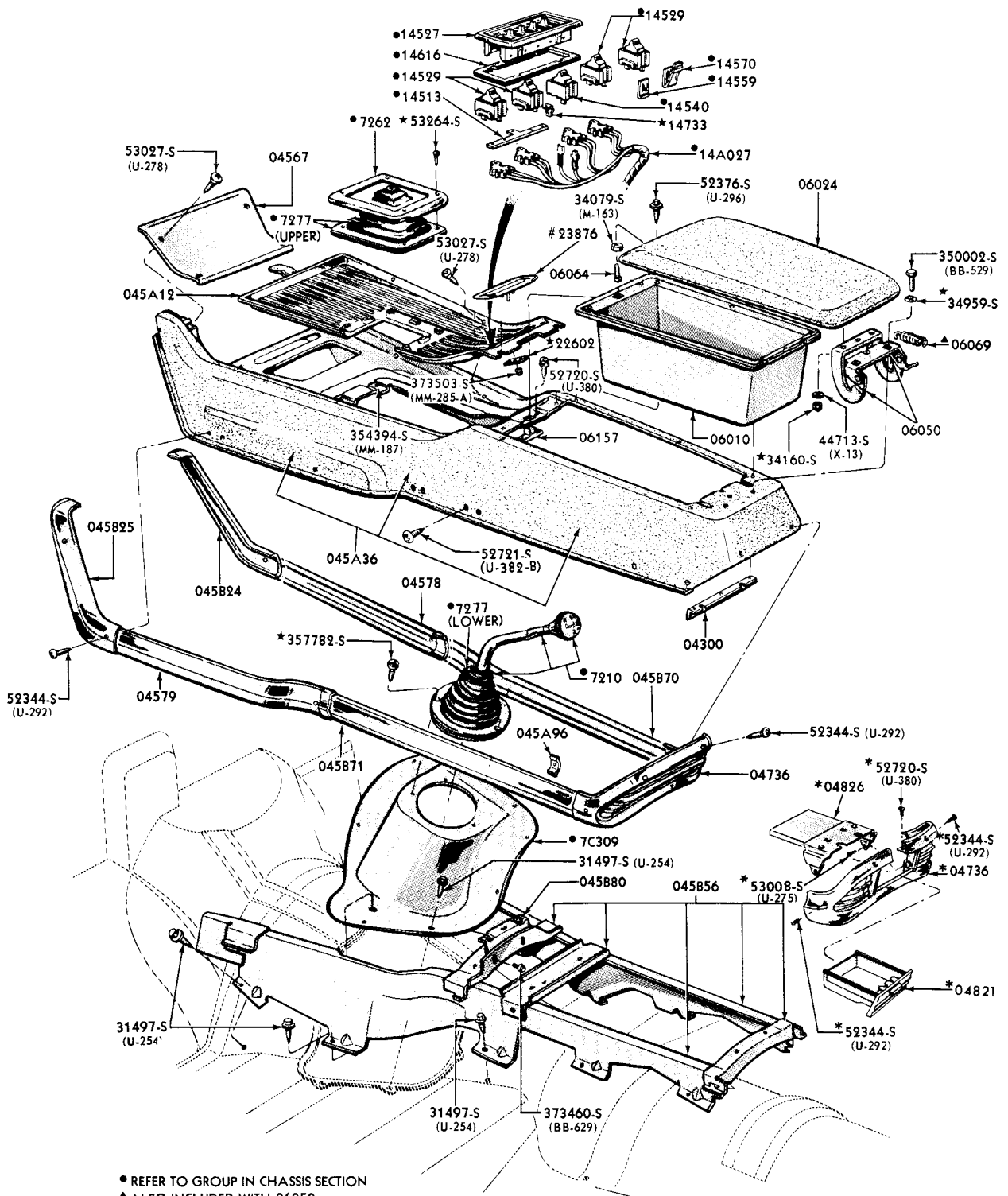


1961/ FALCON CONSOLE-BODY TYPE X (EXCEPT SPRINT)-TYPICAL
1962/ FAIRLANE CONSOLE-BODY TYPE B (EXCEPT 65B)



▲ ALSO INCLUDED WITH 06050

1963/ FAIRLANE CONSOLE - BODY TYPE B (65B)



• REFER TO GROUP IN CHASSIS SECTION

▲ ALSO INCLUDED WITH 06050

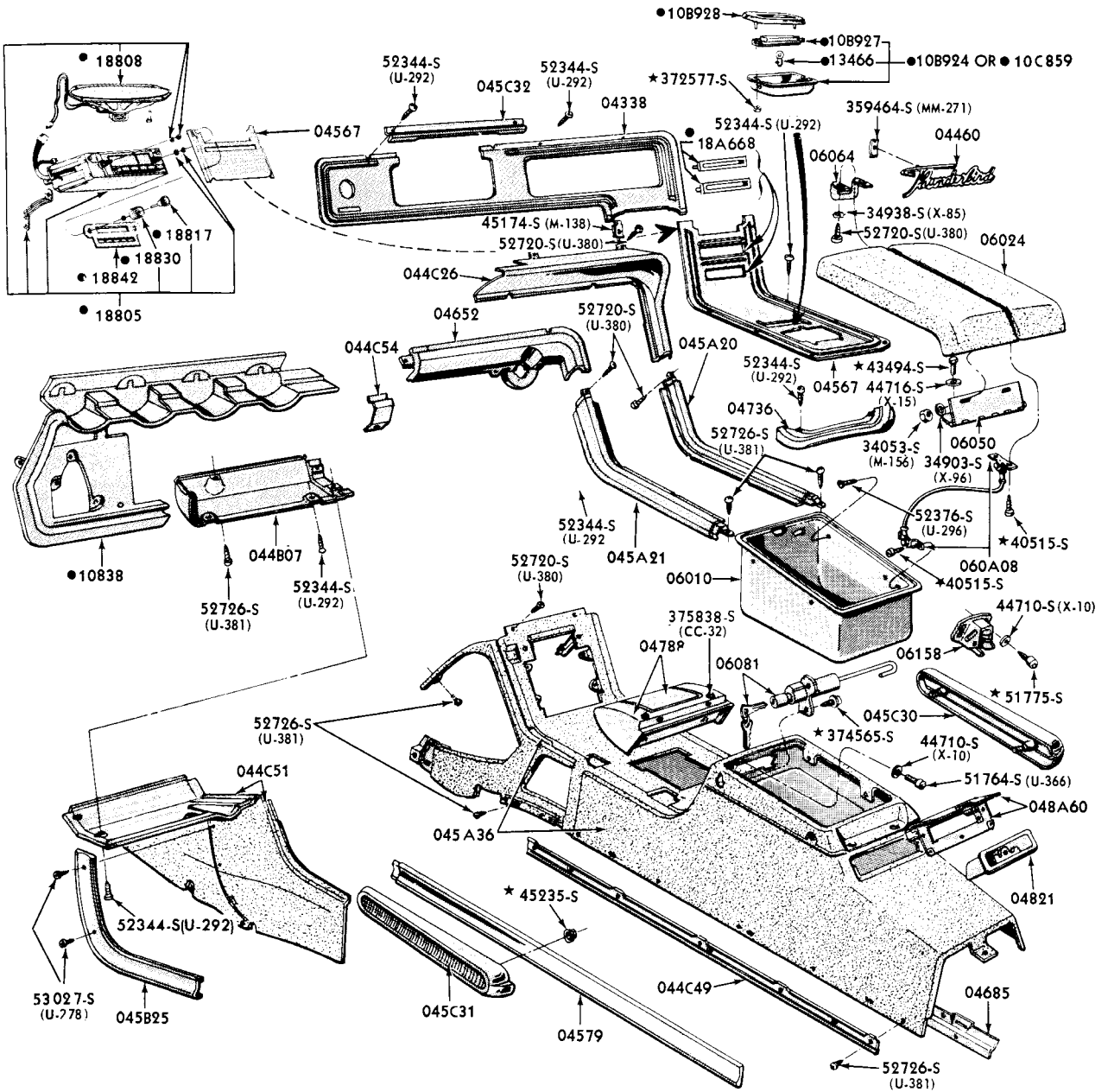
USED ON UNITS WITHOUT POWER WINDOW

* USED ON 1963 BODY TYPE A (75C) AND 1964 BODY TYPE A (57C, 63C)

P-3856

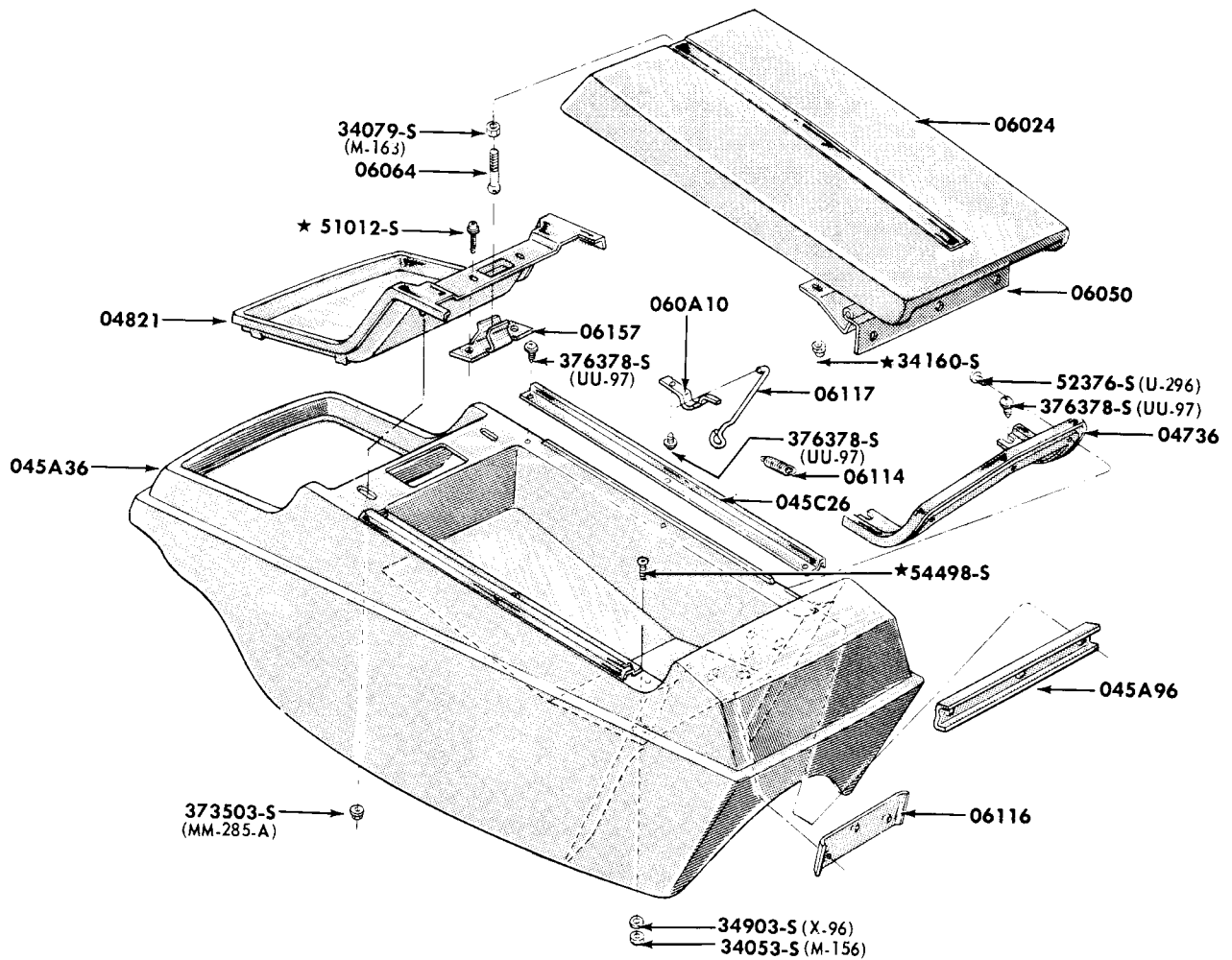
CONSOLE and RELATED PARTS

1962/64 FORD



● REFER TO GROUP IN CHASSIS SECTION

P-4355



P-4497

1964/ FALCON SPRINT CONSOLE PARTS-BODY TYPES X(63C,63D,66H,76B,76D)-TYPICAL

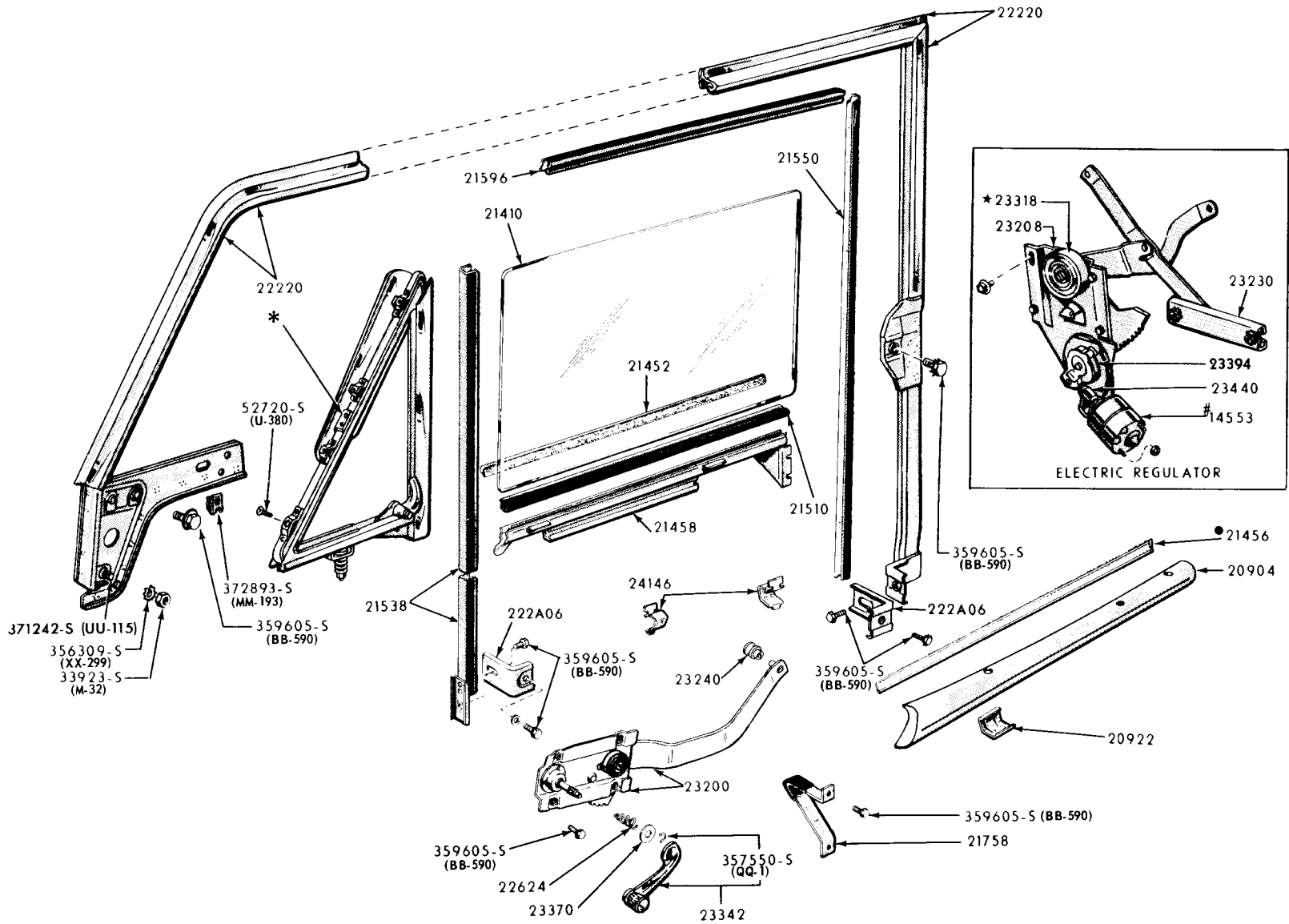
INDEX

INCLUDED IN THIS INDEX ARE THE FOLLOWING MAJOR GROUPS IN THE ORDER SHOWN BELOW:

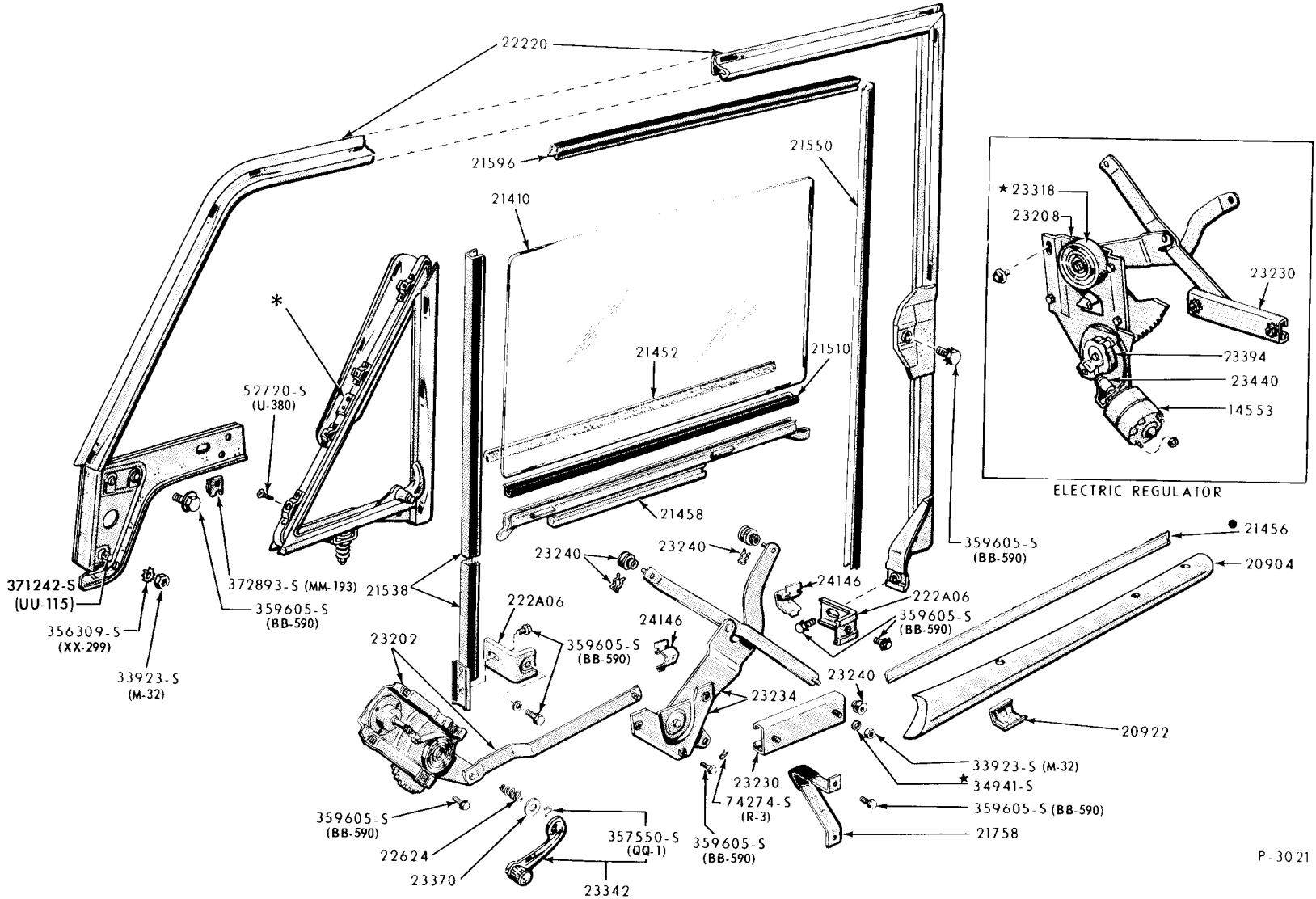
YEAR	FRONT DOOR	REAR DOOR	QUARTER	ILLUS. NO.	SECTION	PAGE
FRONT DOOR						
FAIRLANE						
1962/64	Front Door Parts-Body Types 54, 62, 71-Typical - "Before 3/1/64"			P-3762	230	628
1963/	Front Door Parts-Body Type 65-Typical			P-4031	230	634
1964/	Front Door Parts-Body Types 54, 62, 71 - "From 3/1/64"			P-4857	230	637
1960/	Front Door Hinge-Upper			P-6980	230	643
1960/	Front Door Hinge-Lower			P-6981	230	642
FALCON						
1960/63	Front Door Parts-Body Types 54, 58, 71-Typical			P-3157	230	617
1960/63	Front Door Parts-Body Types 59, 62, 64, 66, 78A-Typical			P-3158	230	618
1963/	Front Door Parts-Body Types 63, 76 -Typical			P-4035	230	636
1964/	Front Door Parts-except Body Types 63, 76 - Typical			P-4339	230	641
1960/	Front Door Hinge-Upper			P-6980	230	643
1960/	Front Door Hinge-Lower			P-6981	230	642
FORD						
	Door Bumpers - Rubber			P-3588	230	644
1960	Front Door Outside Handle, Lock, & Related Parts			P-3026	230	615
1961	Front Door Outside Handle, Lock & Related Parts			P-3342	230	619
1962	Front Door Outside Handle, Lock & Related Parts			P-3785	230	627
1963/64	Front Door Outside Handle, Lock & Related Parts -Typical			P-4029	230	633
1960	Front Door Ventilating Window Handles, Upper Pivot & Brackets - except Body Types 63, 75, 76			P-3232	230	613
1960/	Front Door Hinge-Upper			P-6980	230	643
1960/	Front Door Hinge-Lower			P-6981	230	642
1960/61	Front Door Ventilating Window Parts - Typical			P-3025	230	614
1960/61	Front Door Ventilating Window Parts - Typical - Body Types 63, 65, 76			P-3095	230	614
1960/61	Front Door Ventilating Window Parts - Typical-Body Type 75			P-3096	230	614
1960/61	Front Door Window Parts - Body Types 54, 58, 71			P-3022	230	609
1960/61	Front Door Window Parts - Body Types -59, 62, 64			P-3021	230	610
1960/61	Front Door Window Parts - Body Types 63, 65, 76			P-3023	230	611
1960/61	Front Door Window Parts - Body Type 75			P-3024	230	612
1962	Front Door Window Parts - Body Types 54, 71			P-3781	230	622
1962	Front Door Window Parts-Body Type 62			P-3782	230	623
1962	Front Door Window Parts-Body Type 65			P-3783	230	624
1962	Front Door Window Parts - Body Type 75			P-3784	230	625
1962	Front Door Window Parts-Body Type 76			P-3793	230	626
1963/64	Front Door Window & Related Parts -Body Types 54, 71-Typical			P-4023	230	629
1963/64	Front Door Window & Related Parts-Body Types 57, 75			P-4026	230	632
1963/64	Front Door Window & Related Parts -Body Type 62			P-4024	230	630
1963/64	Front Door Window & Related Parts -Body Types 63, 65, 76 -Typical			P-4025	230	631
THUNDERBIRD						
1960	Door Parts			P-2617	230	616
1960/	Front Door Hinge-Upper			P-6980	230	643
1960/	Front Door Hinge-Lower			P-6981	230	642
1961/63	Front Door Lock & Related Parts			P-3357	230	621
1964	Front Door Lock & Related Parts			P-4341	230	639
1964	Front Door Window & Related Parts-Typical			P-4340	230	638
1961/63	Front Door Window Parts			P-3356	230	620
1964/	Vacuum Door Lock & Related Parts			P-4902	230	640
1963	Vacuum Door Lock Assy. & Related Parts			P-4049	230	635

INDEX

YEAR	TITLE	ILLUS. NO.	SECTION	PAGE
REAR DOOR				
FAIRLANE				
1962/	Rear Door Parts-Body Types 54, 71-Typical	P-3763	240	654
1960/	Rear Door Hinge-Upper	P-6982	240	661
1960/	Rear Door Hinge-Lower	P-6983	240	661
FALCON				
1960/63	Rear Door Parts-Body Types 54, 58-Typical	P-3159	240	649
1960/63	Rear Door Parts-Body Type 71-Typical	P-3168	240	650
1964/	Rear Door Parts-Body Type 54-Typical	P-4342	240	659
1964/	Rear Door Parts-Body Type 71-Typical	P-4343	240	660
1960/	Rear Door Hinge-Upper	P-6982	240	661
1960/	Rear Door Hinge-Lower	P-6983	240	661
FORD				
1960	Rear Door Outside Handle, Lock & Related Parts-Body Types 54, 58, 71	P-3029	240	647
1961	Rear Door Outside Handle, Lock & Related Parts-Body Types 54, 58, 71	P-3343	240	648
1962	Rear Door Outside Handle, Lock & Related Parts-Body Types 54, 58, 71, 75	P-3788	240	653
1963/64	Rear Door Outside Handle, Lock & Related Parts-Body Types 54, 57, 71	P-4030	240	658
1963	Rear Door Window & Related Parts-Body Type 75-Typical	P-4028	240	656
1963/64	Rear Door Window & Related Parts-Body Types 54, 71-Typical	P-4027	240	655
1964	Rear Door Window & Related Parts-Body Type 57	P-4338	240	657
1960/61	Rear Door Window Parts-Body Types 54, 58, 71	P-3027	240	645
1962	Rear Door Window Parts-Body Types 54, 71	P-3786	240	651
1960/61	Rear Door Window Parts-Body Type 75	P-3028	240	646
1962	Rear Door Window Parts-Body Type 75	P-3787	240	652
1960/	Rear Door Hinge-Upper	P-6982	240	661
1960/	Rear Door Hinge-Lower	P-6983	240	661
QUARTER				
FAIRLANE				
1963/	Quarter Window & Related Parts-Body Type 71	P-4033	290	680
1962/	Quarter Window Parts-Body Type 62-Typical	P-3764	290	678
1963/	Quarter Window Parts-Body Type 65-Typical	P-4032	290	679
FALCON				
1960/	Quarter Window & Related Parts-Body Types 59, 62, 64-Typical	P-3160	290	668
1963/	Quarter Window & Related Parts-Body Type 63-Typical	P-3952	290	681
1963/	Quarter Window & Related Parts-Body Type 76	P-4036	290	682
1961/	Sedan Delivery Quarter Window Opening Panel & Related Parts-Body Type 78	P-3593	290	669
FORD				
1960/61	Front Quarter Window Parts-Body Type 59C	P-3033	290	662
1961	Quarter Window & Related Parts-Body Type 65	P-3344	290	670
1962/63	Quarter Window & Related Parts-Body Type 62	P-3789	290	672
1962/63	Quarter Window & Related Parts-Body Type 65-Typical	P-3790	290	676
1963	Quarter Window & Related Parts-Body Type 63	P-3955	290	674
1964	Quarter Window & Related Parts-Body Type 62	P-4345	290	673
1964	Quarter Window & Related Parts-Body Type 63	P-4346	290	675
1960/61	Quarter Window Parts-Body Types 59E, 64G, H	P-3031	290	663
1960/61	Quarter Window Parts-Body Types 62, 64A, F	P-3030	290	664
1960/61	Quarter Window Parts-Body Type 63	P-3034	290	665
1960/61	Quarter Window Parts-Body Type 76-Typical	P-3032	290	666
1962/64	Quarter Window Parts-Body Type 76-Typical	P-3792	290	677
1960	Rear Quarter Window Parts-Body Types 59, 71	P-3035	290	662
1961/64	Rear Quarter Window Parts-Body Types 59, 71-Typical	P-3345	290	669
THUNDERBIRD				
1964/	Quarter Window & Related Parts	P-4344	290	683
1960	Quarter Window Parts	P-2618	290	667
1961/63	Quarter Window Parts	P-3358	290	671

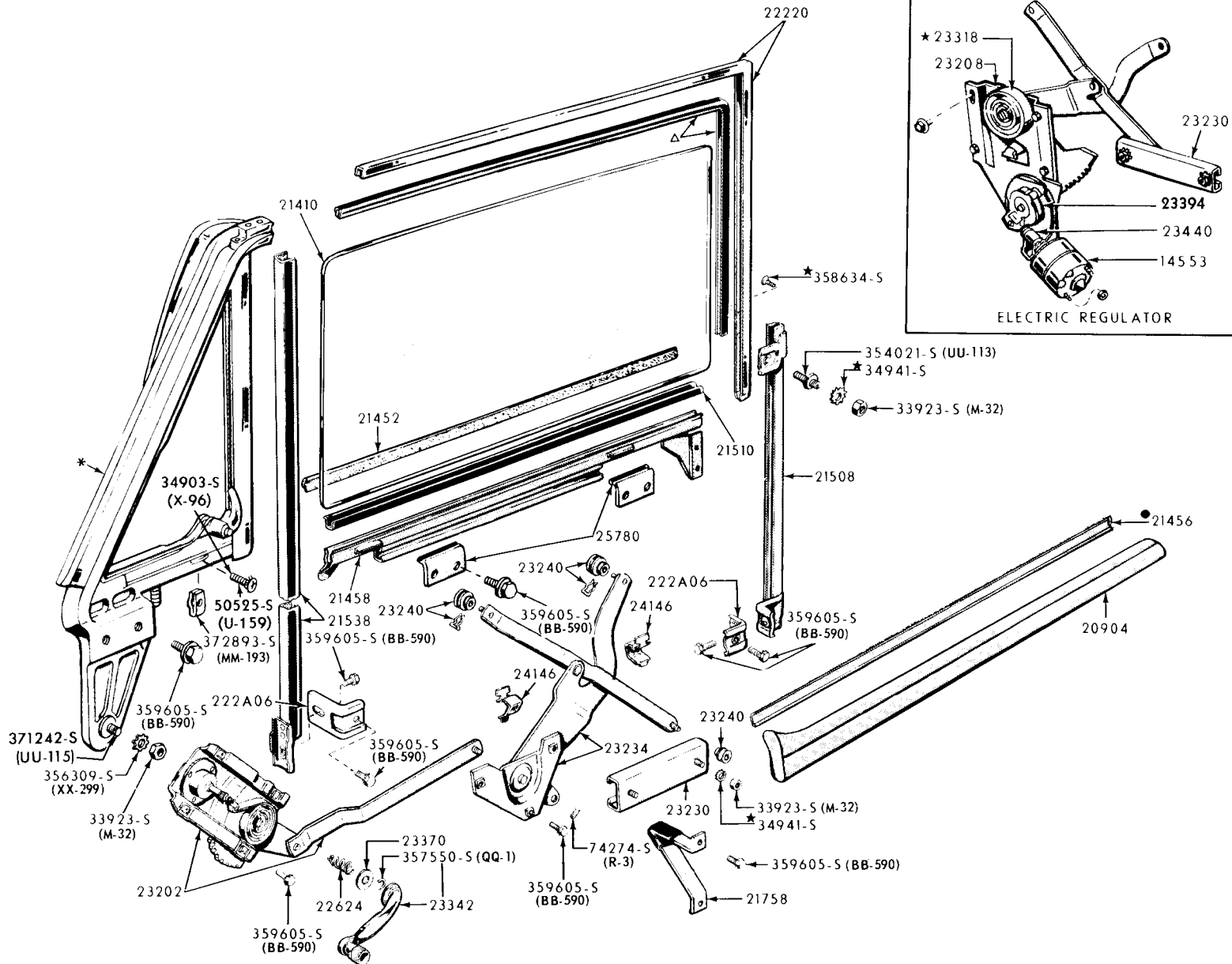


* FOR SERVICE DETAILS REFER TO VENTILATING WINDOW ILLUSTRATION
 ● ALSO INCLUDED IN 20904-5 # REFER TO GROUP IN CHASSIS SECTION



* FOR SERVICE DETAILS REFER TO VENTILATING WINDOW ILLUSTRATION
● ALSO INCLUDED IN 20904-5

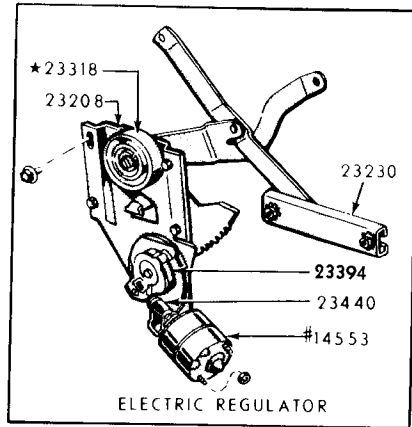
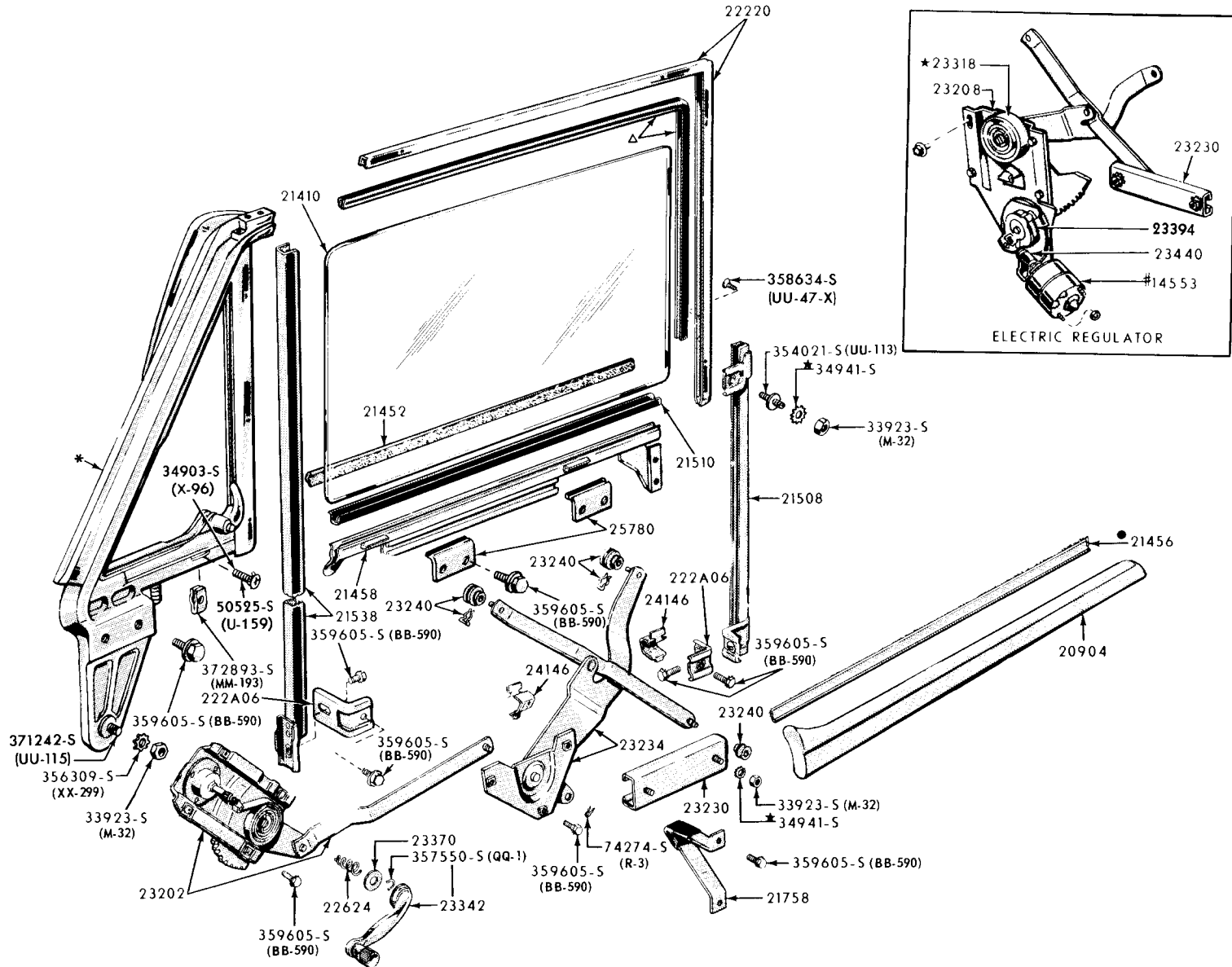
1960/61 FRONT DOOR WINDOW PARTS-BODY TYPES A(63A,65A,76B)



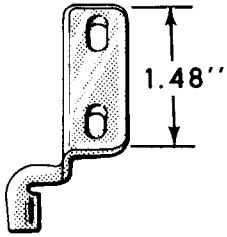
FORD CAR PARTS BODY ILLUSTRATION SECTION 230

*FOR SERVICE DETAILS REFER TO VENTILATING WINDOW ILLUSTRATION
 ΔUSE BULK GLASS TAPE
 ●ALSO INCLUDED IN 20904-5

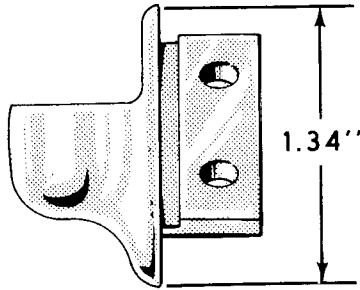
1960/61 FRONT DOOR WINDOW PARTS-BODY TYPE A(75A)



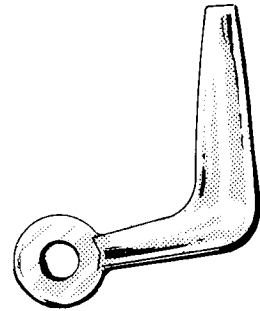
*FOR SERVICE DETAILS REFER TO VENTILATING WINDOW ILLUSTRATION
 ΔUSE BULK GLASS TAPE # REFER TO GROUP IN CHASSIS SECTION
 ● ALSO INCLUDED IN 20904-5



COAB6421464-B

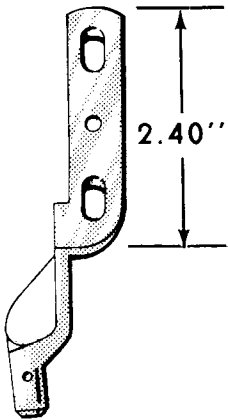


COAB6421466-A

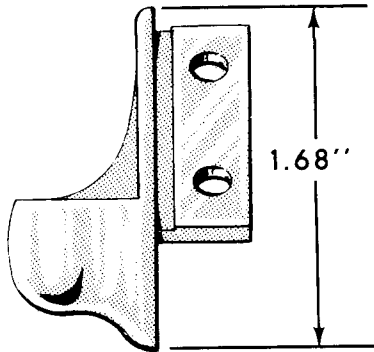


B9A6422916-A

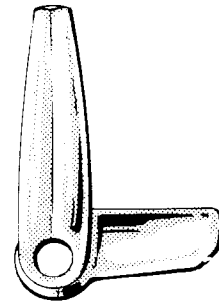
USED ON UNITS MANUFACTURED BEFORE MARCH 15, 1960



COAB6421464-C



COAB6421466-C

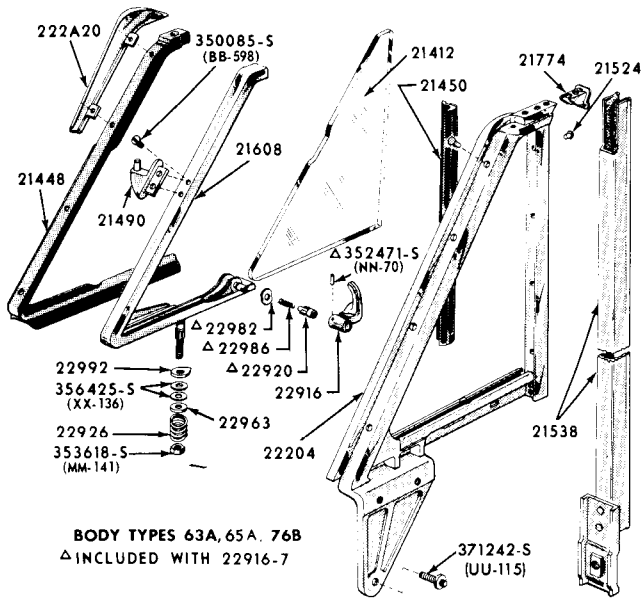


COAB6422916-A

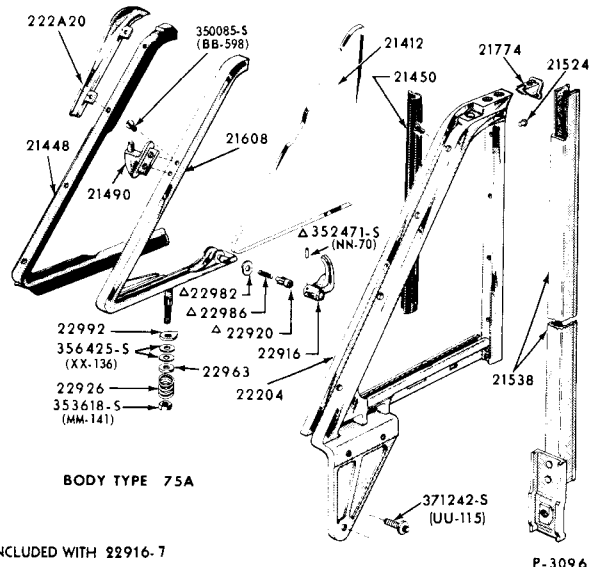
USED ON UNITS MANUFACTURED FROM MARCH 15, 1960

P-3232

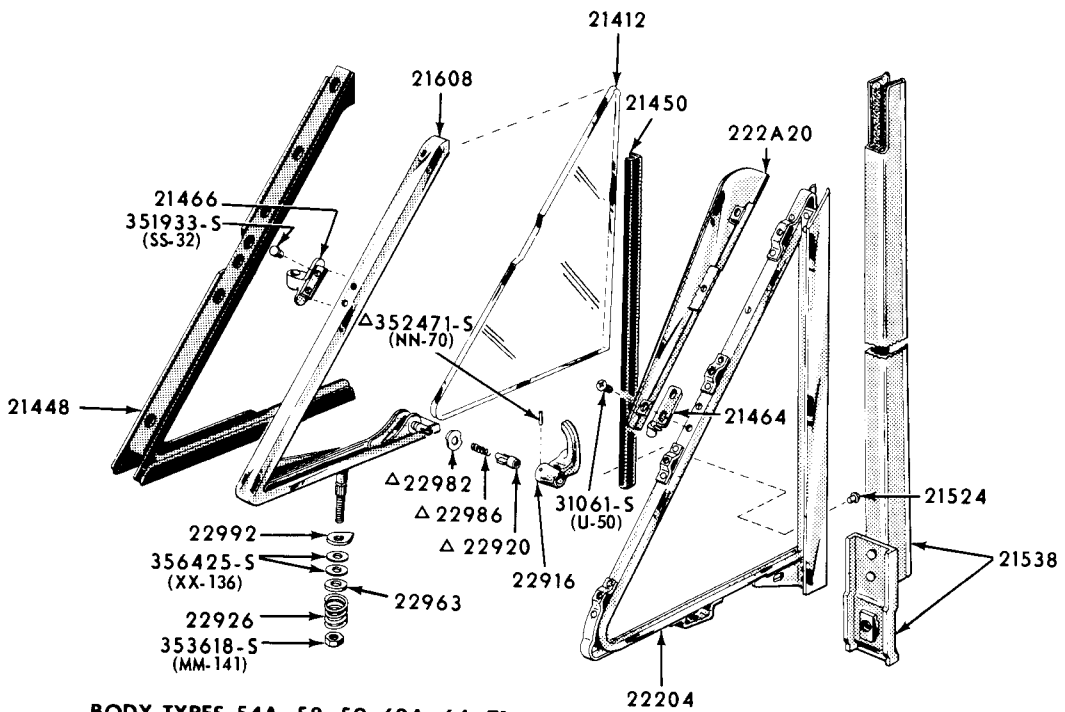
FRONT DOOR VENTILATING WINDOW HANDLES, UPPER PIVOT & BRACKETS
(1960 FORD-except BODY TYPES 63,75,76)



P-3095

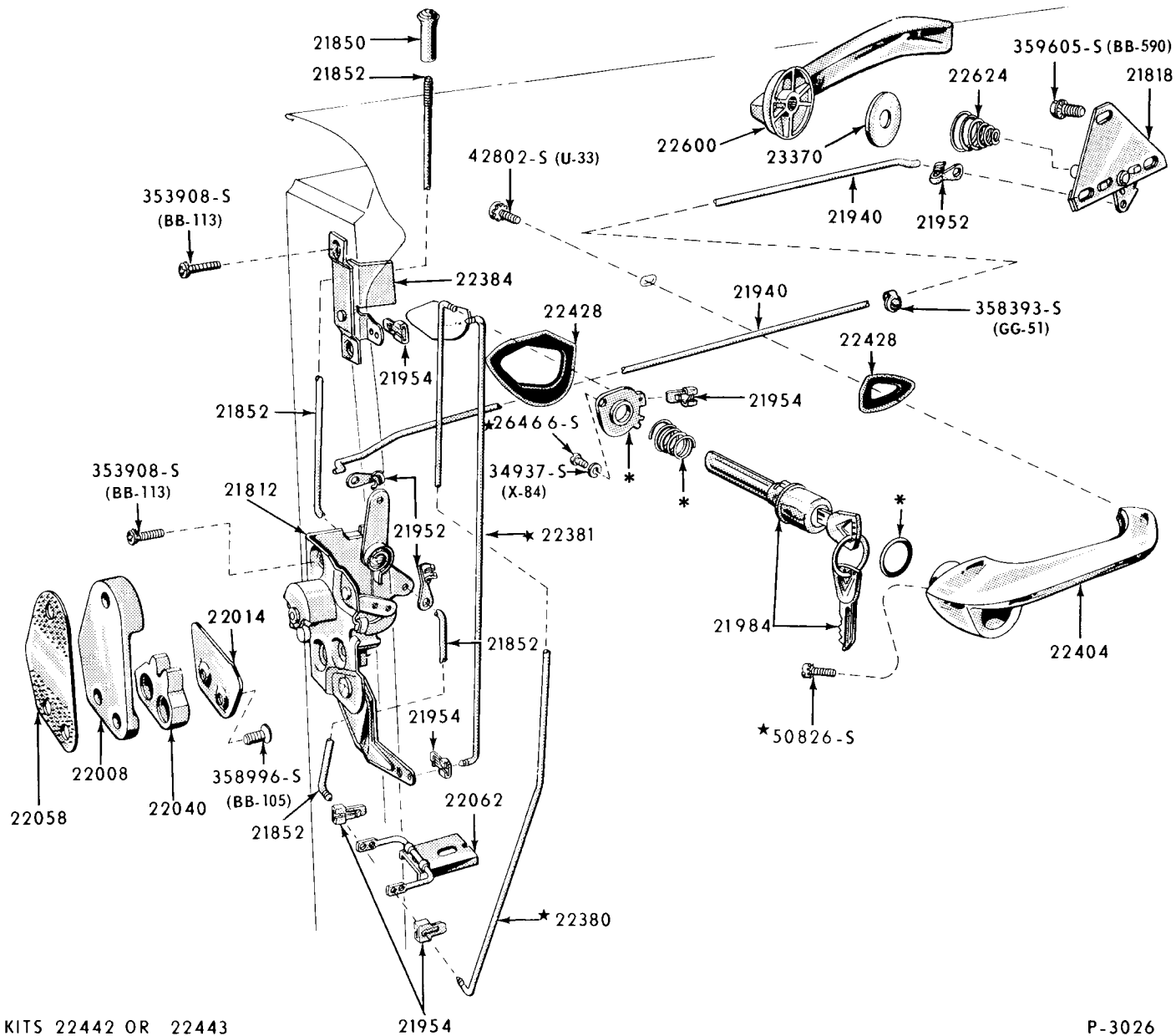


P-3096



P-3025

1960 FRONT DOOR OUTSIDE HANDLE, LOCK & RELATED PARTS-BODY TYPES A(11)



* SERVICED IN KITS 22442 OR 22443

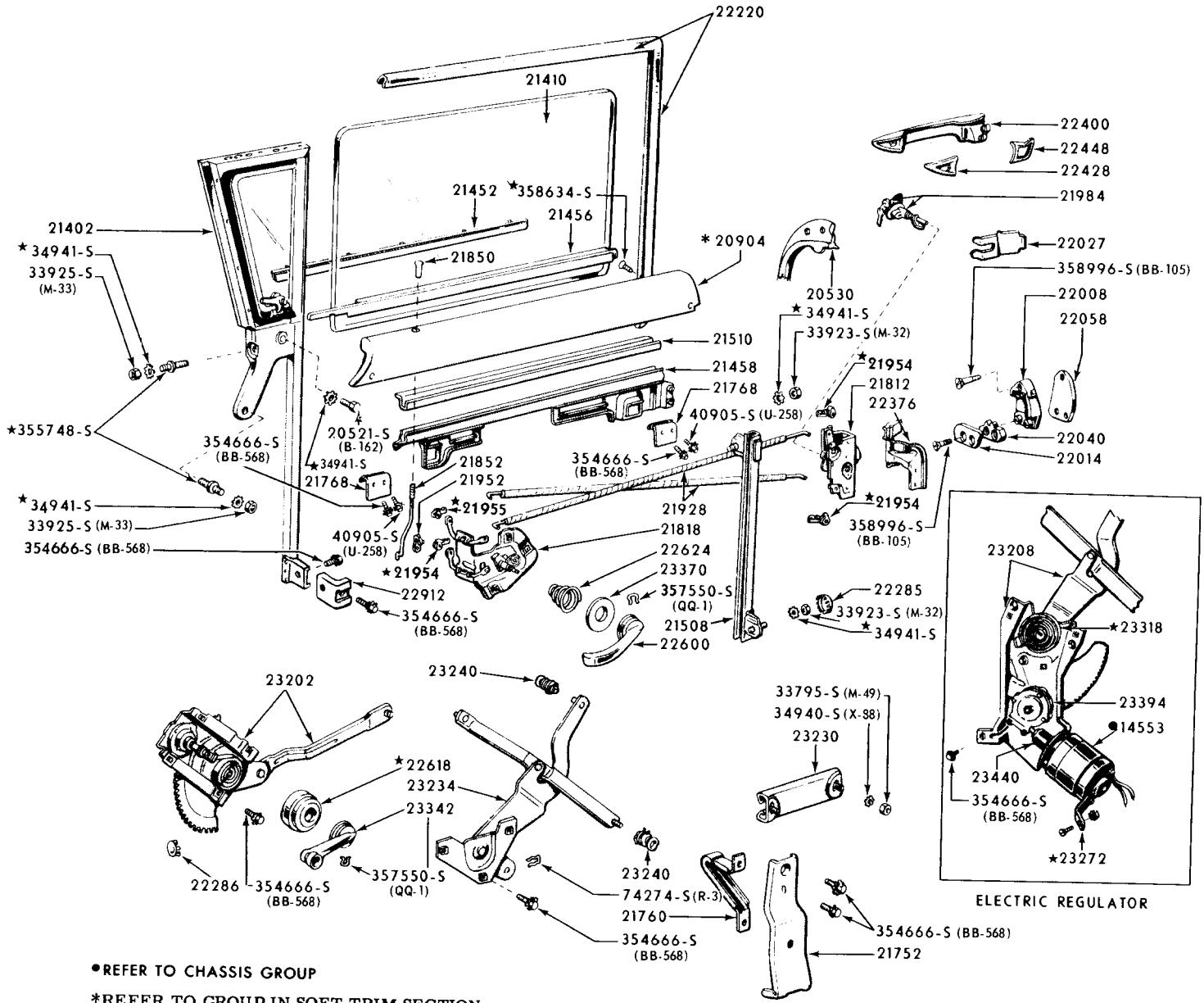
P-3026

FORD CAR PARTS

**BODY ILLUSTRATION
SECTION 230**

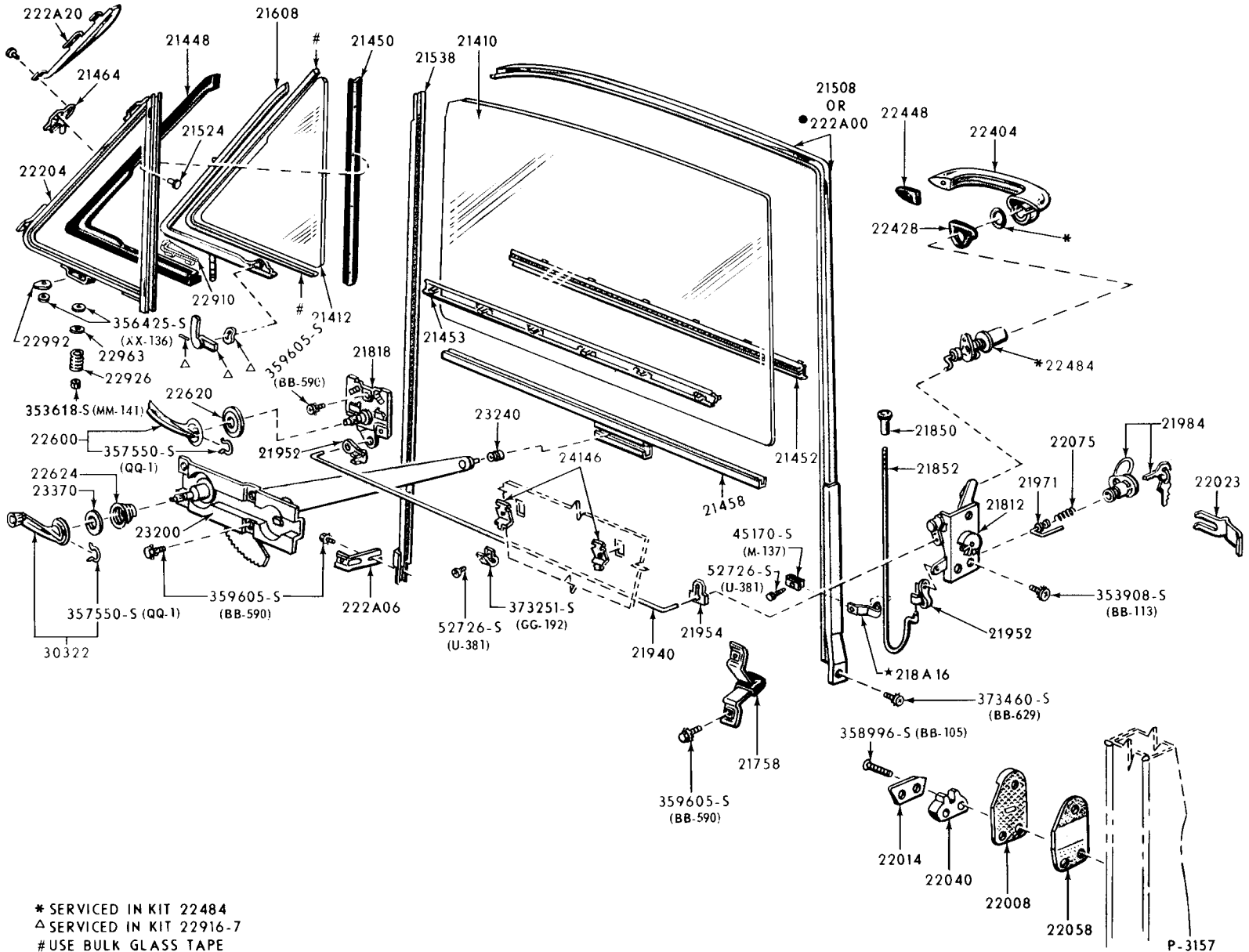
615

1960 THUNDERBIRD DOOR PARTS



●REFER TO CHASSIS GROUP
 *REFER TO GROUP IN SOFT TRIM SECTION

1960/63 FALCON FRONT DOOR PARTS-BODY TYPES X(54, 58A, 71)-TYPICAL

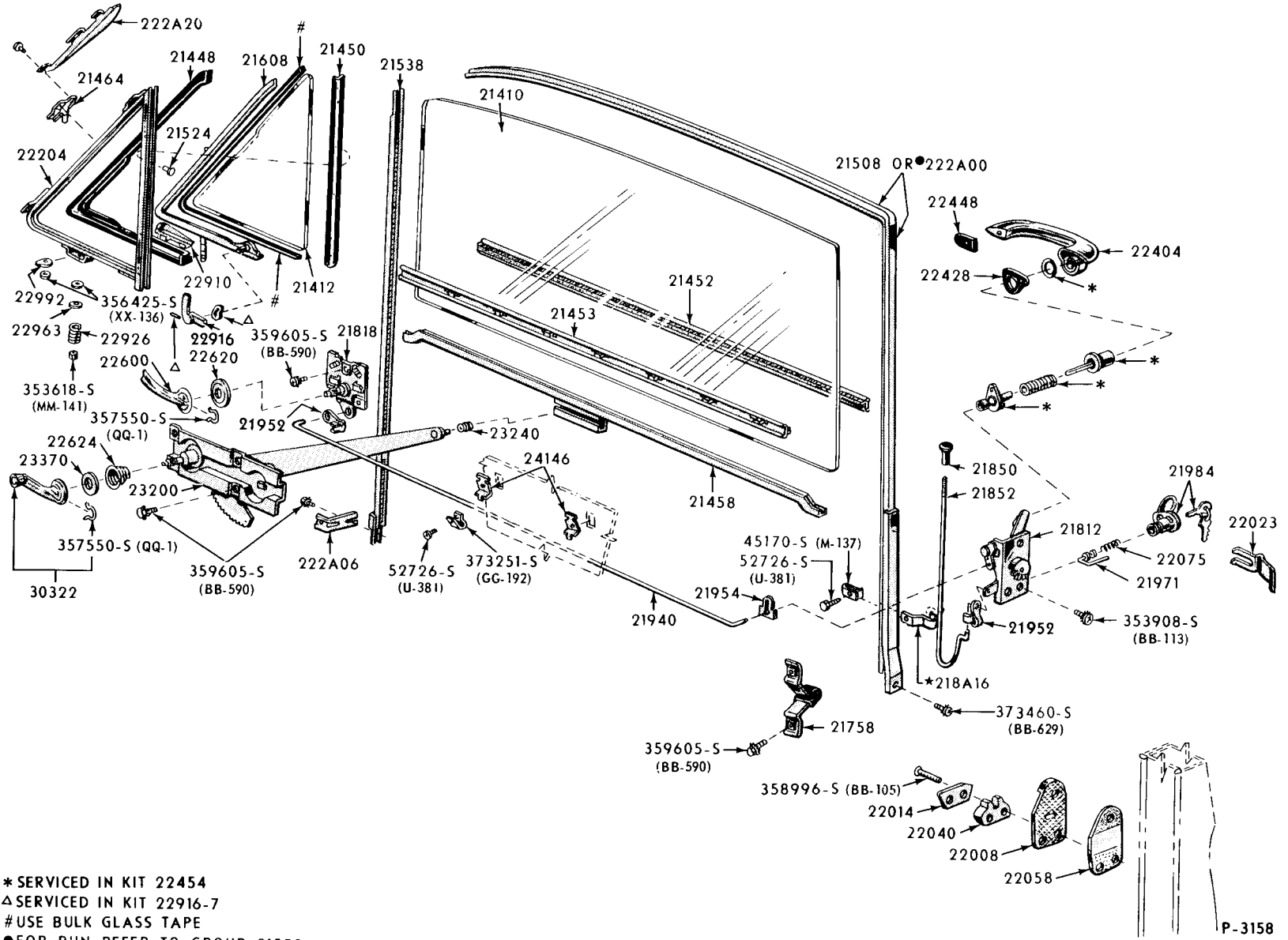


- * SERVICED IN KIT 22484
- Δ SERVICED IN KIT 22916-7
- # USE BULK GLASS TAPE
- FOR RUN REFER TO GROUP 21550

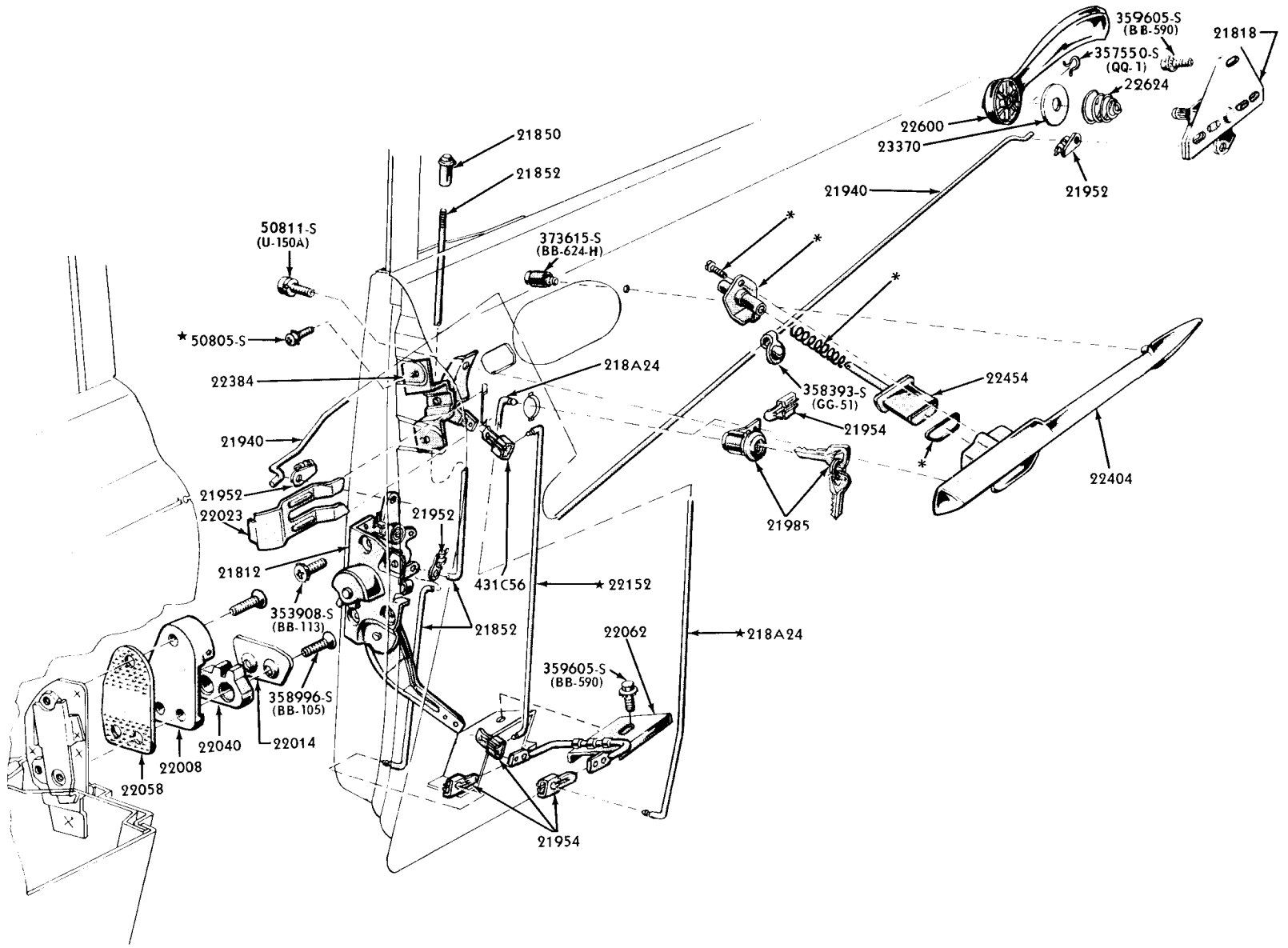
FORD CAR PARTS

BODY ILLUSTRATION
SECTION 230

1960/63 FALCON FRONT DOOR PARTS - BODY TYPES X(59A, 62, 64, 66A, 78A) - TYPICAL

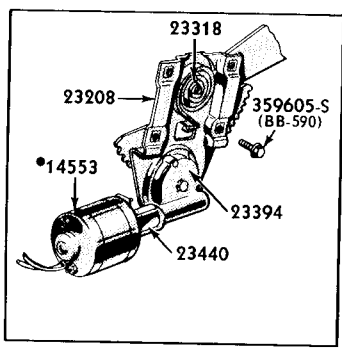
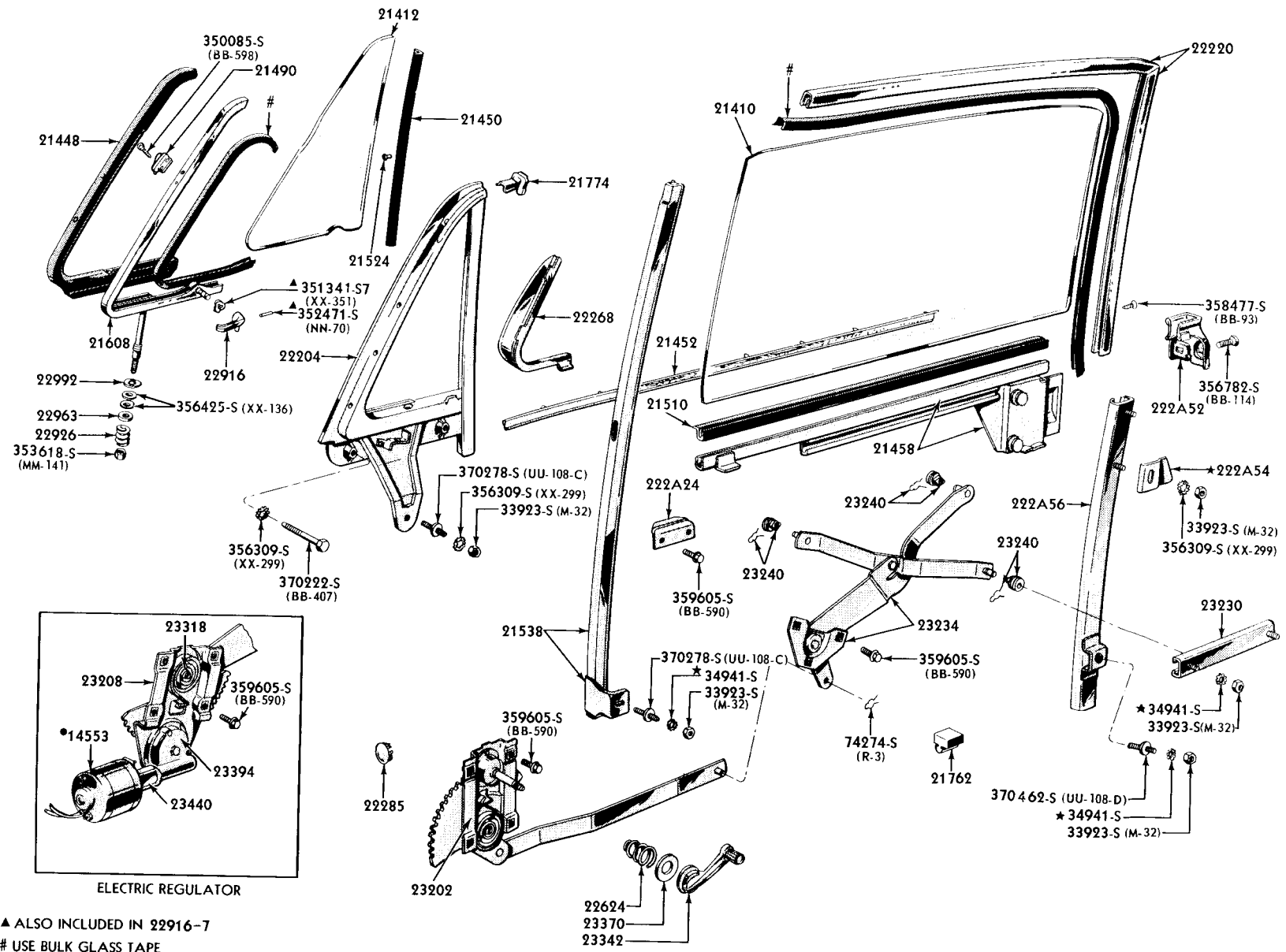


- * SERVICED IN KIT 22454
- Δ SERVICED IN KIT 22916-7
- # USE BULK GLASS TAPE
- FOR RUN REFER TO GROUP 21550



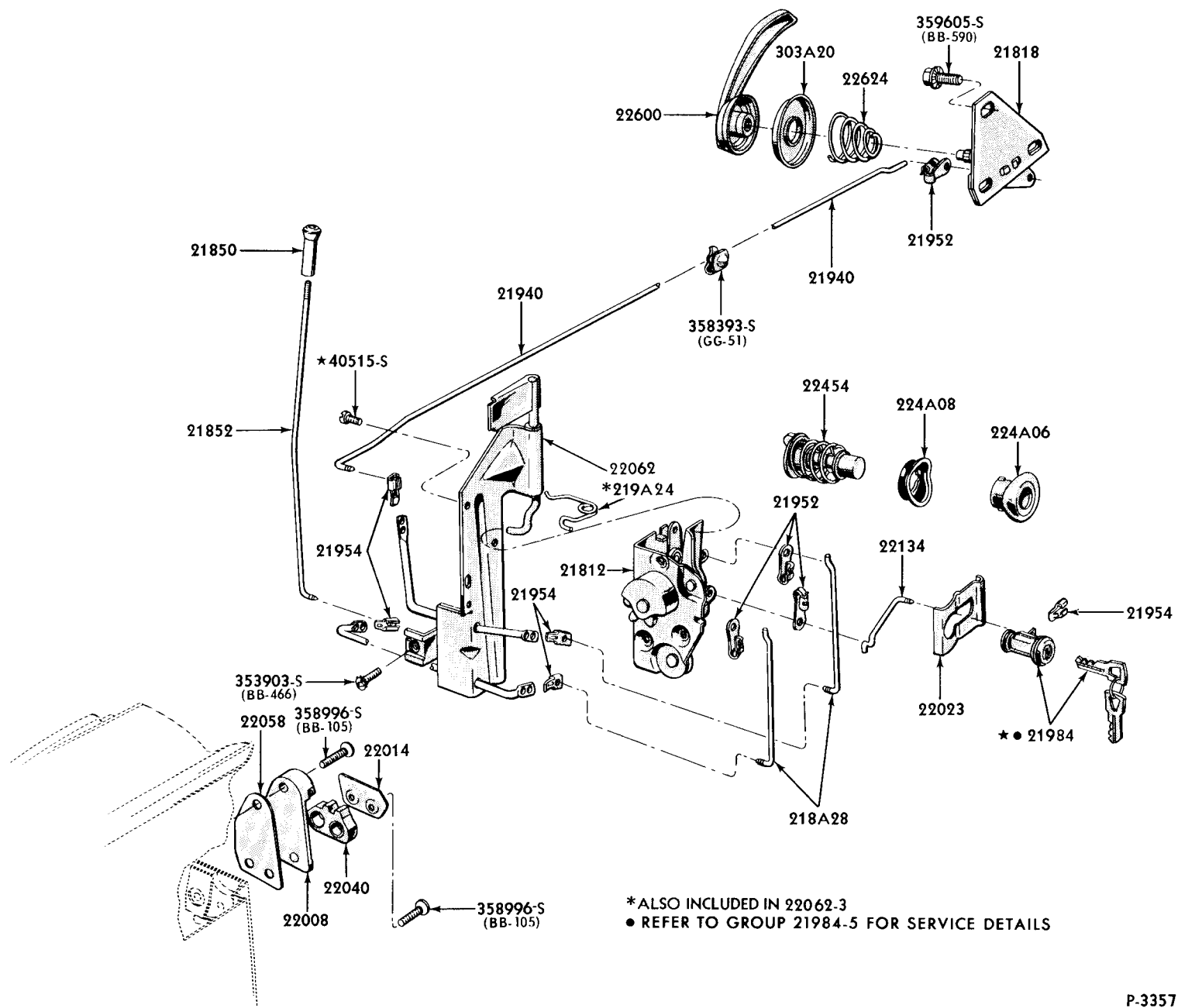
* SERVICED IN KITS 22454 OR 22455

1961/63 THUNDERBIRD FRONT DOOR WINDOW & RELATED PARTS



ELECTRIC REGULATOR

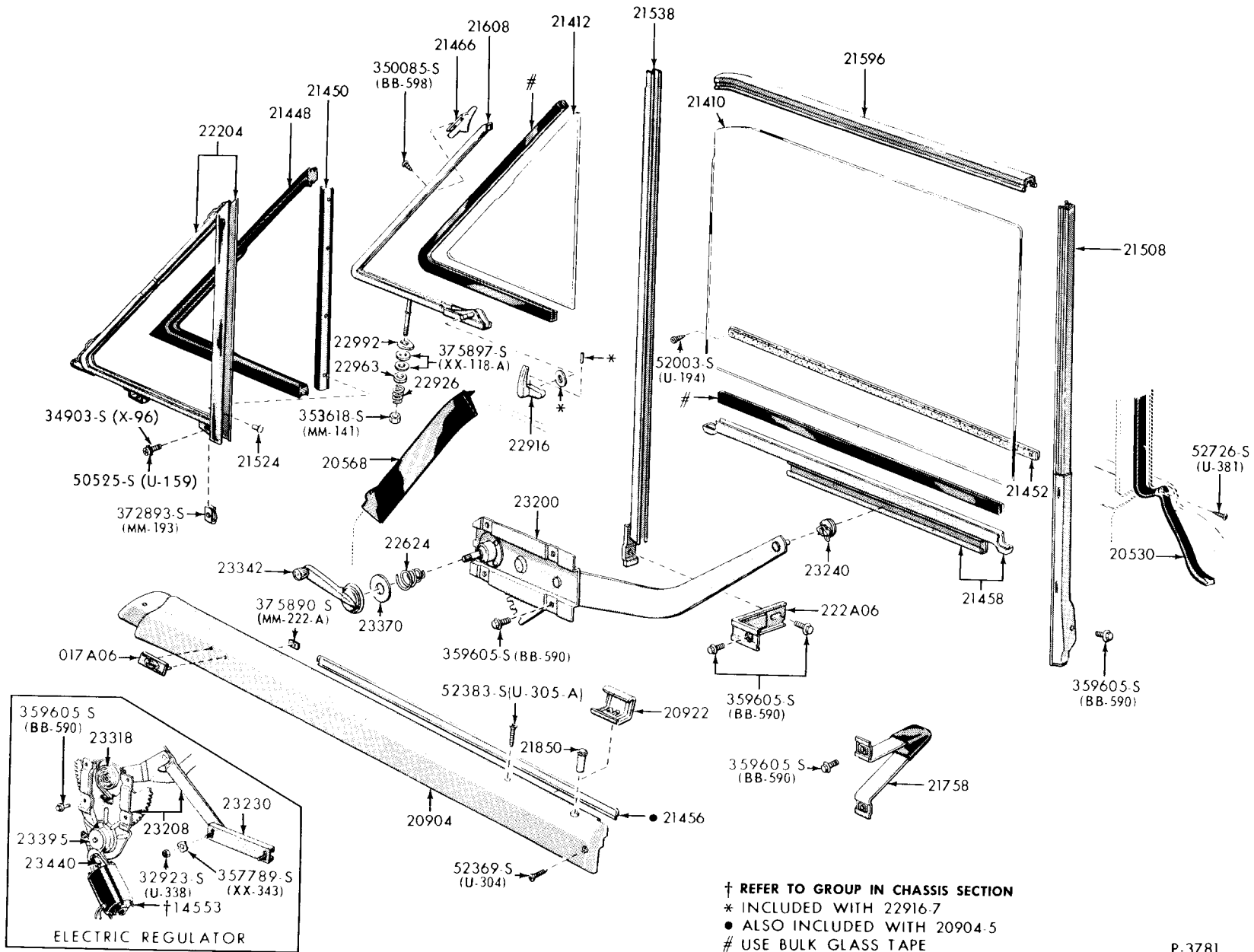
- ▲ ALSO INCLUDED IN 22916-7
- # USE BULK GLASS TAPE
- REFER TO CHASSIS GROUP



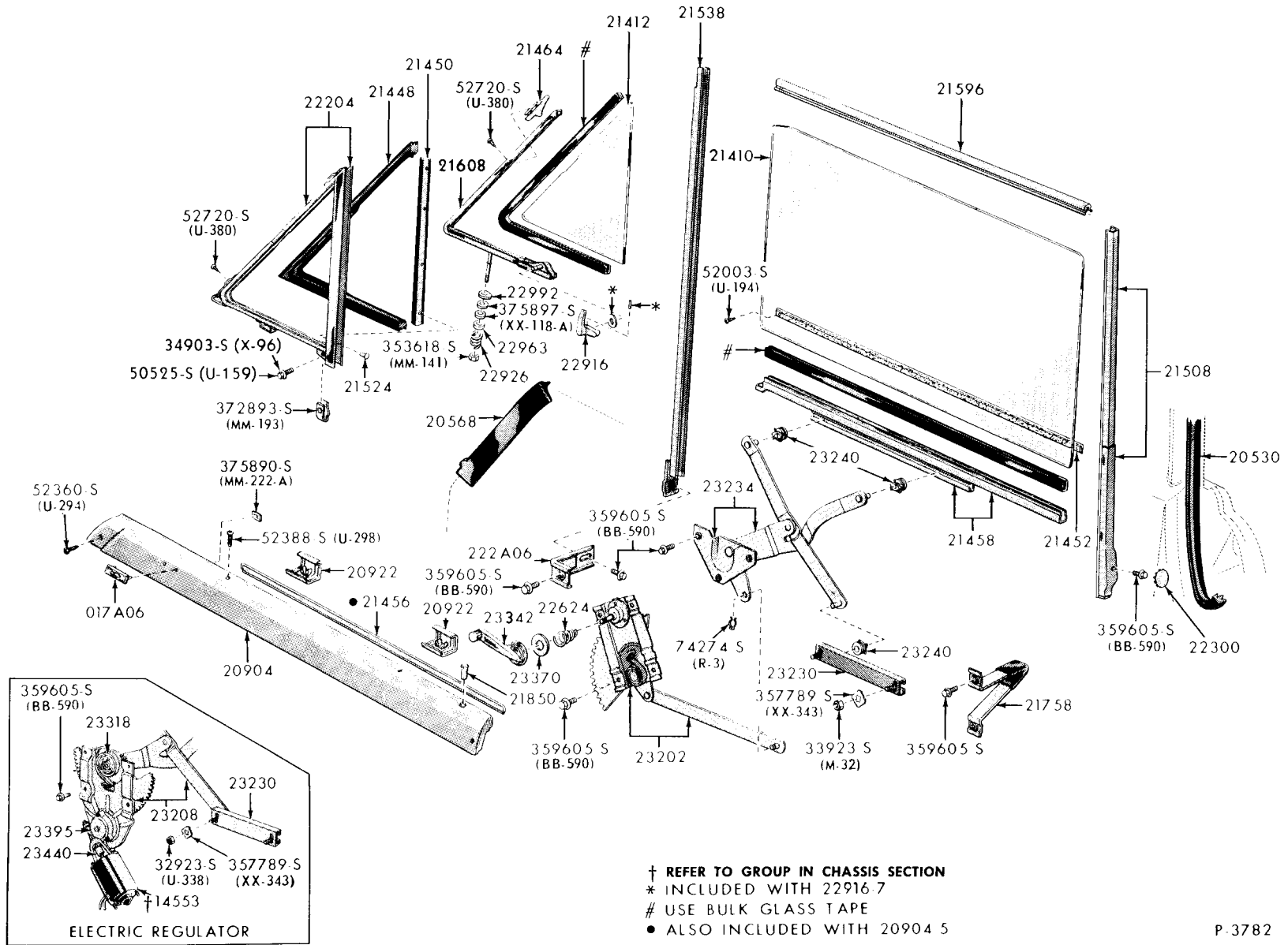
*ALSO INCLUDED IN 22062-3
● REFER TO GROUP 21984.5 FOR SERVICE DETAILS

1961/63 THUNDERBIRD FRONT DOOR LOCK & RELATED PARTS

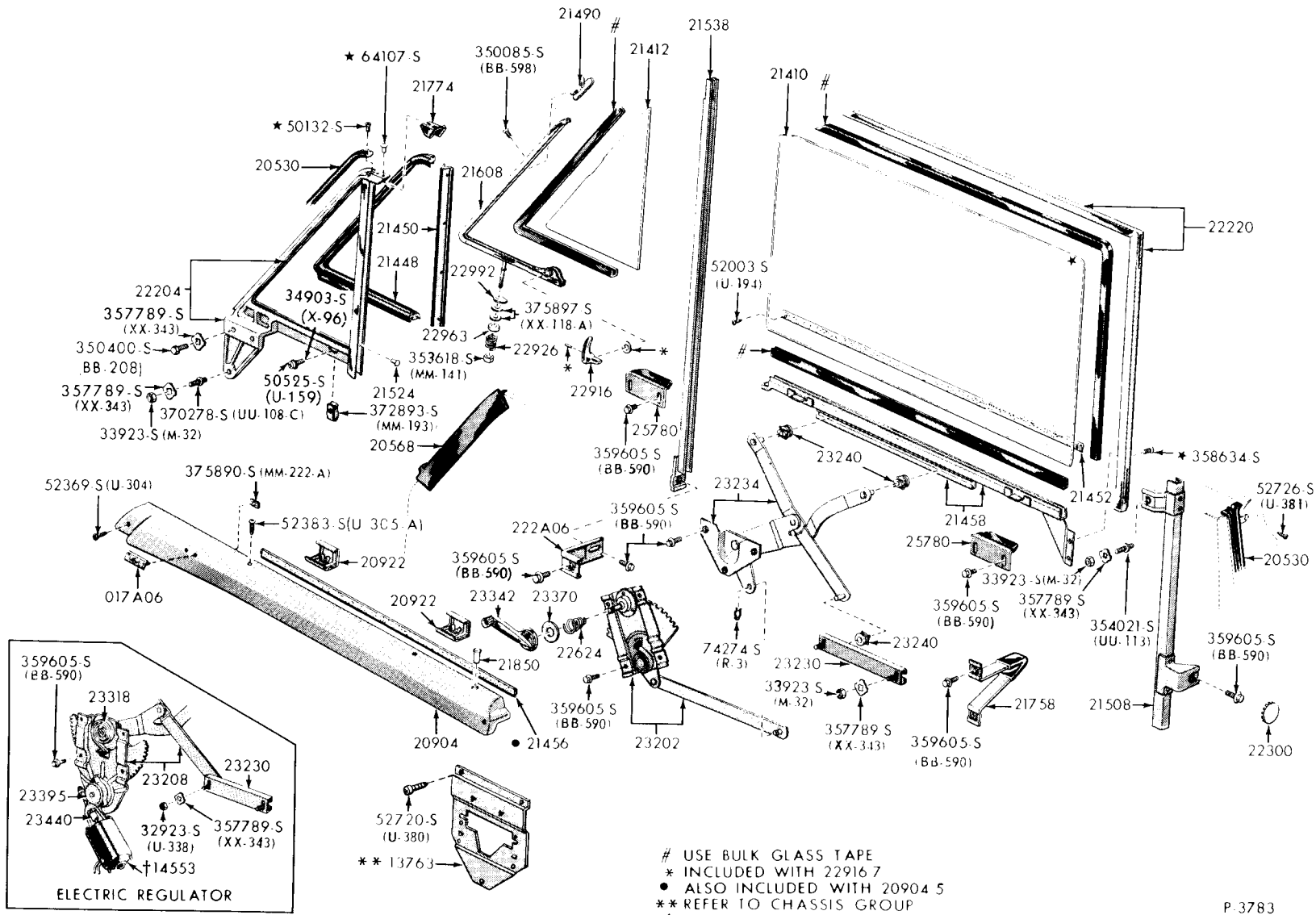
1962 FRONT DOOR WINDOW PARTS-BODY TYPES A(54,71)



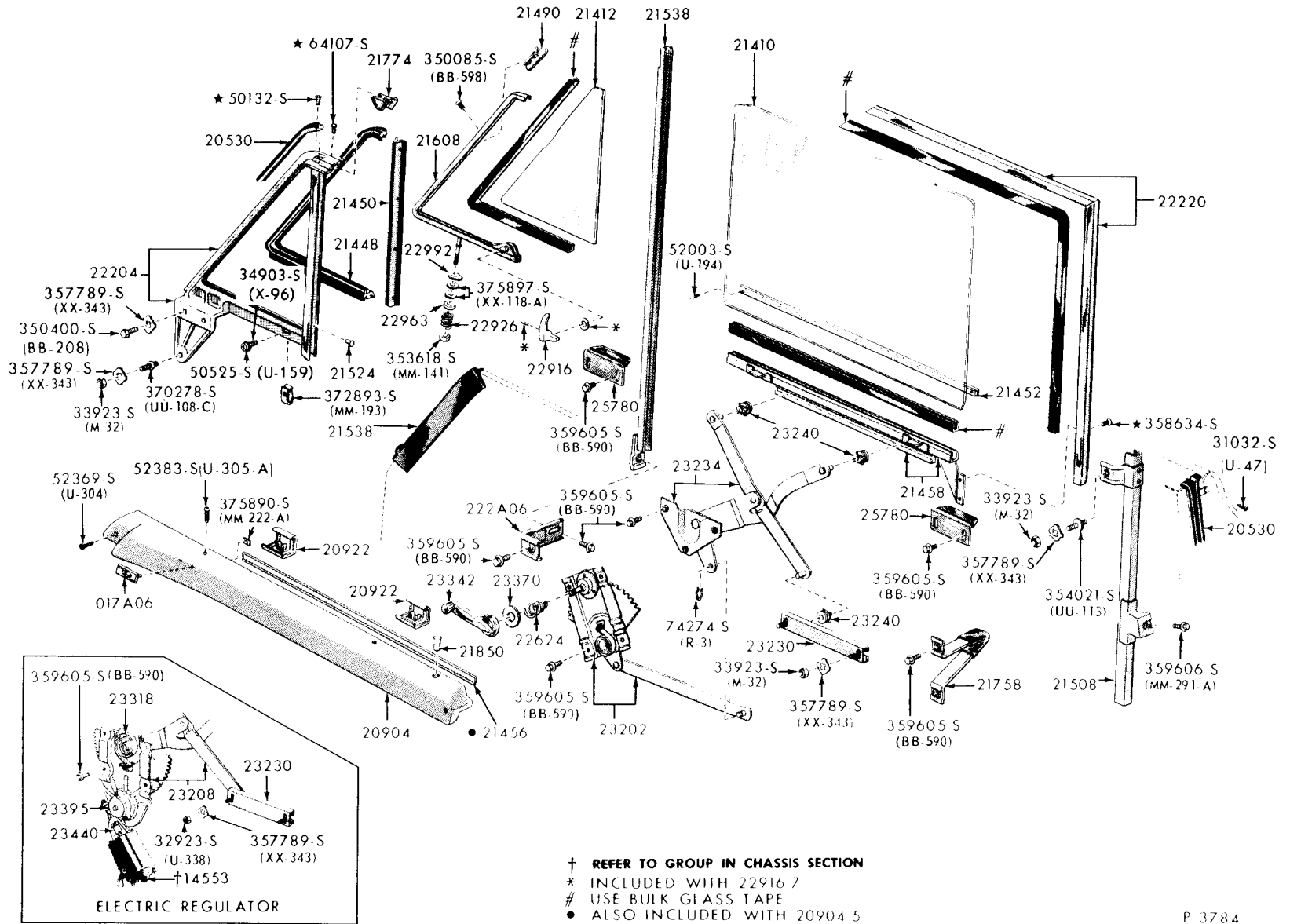
† REFER TO GROUP IN CHASSIS SECTION
 * INCLUDED WITH 22916-7
 • ALSO INCLUDED WITH 20904-5
 # USE BULK GLASS TAPE



1962 DOOR WINDOW PARTS - BODY TYPE A (65)

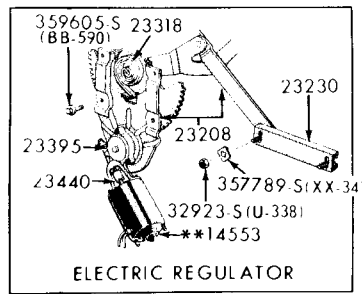
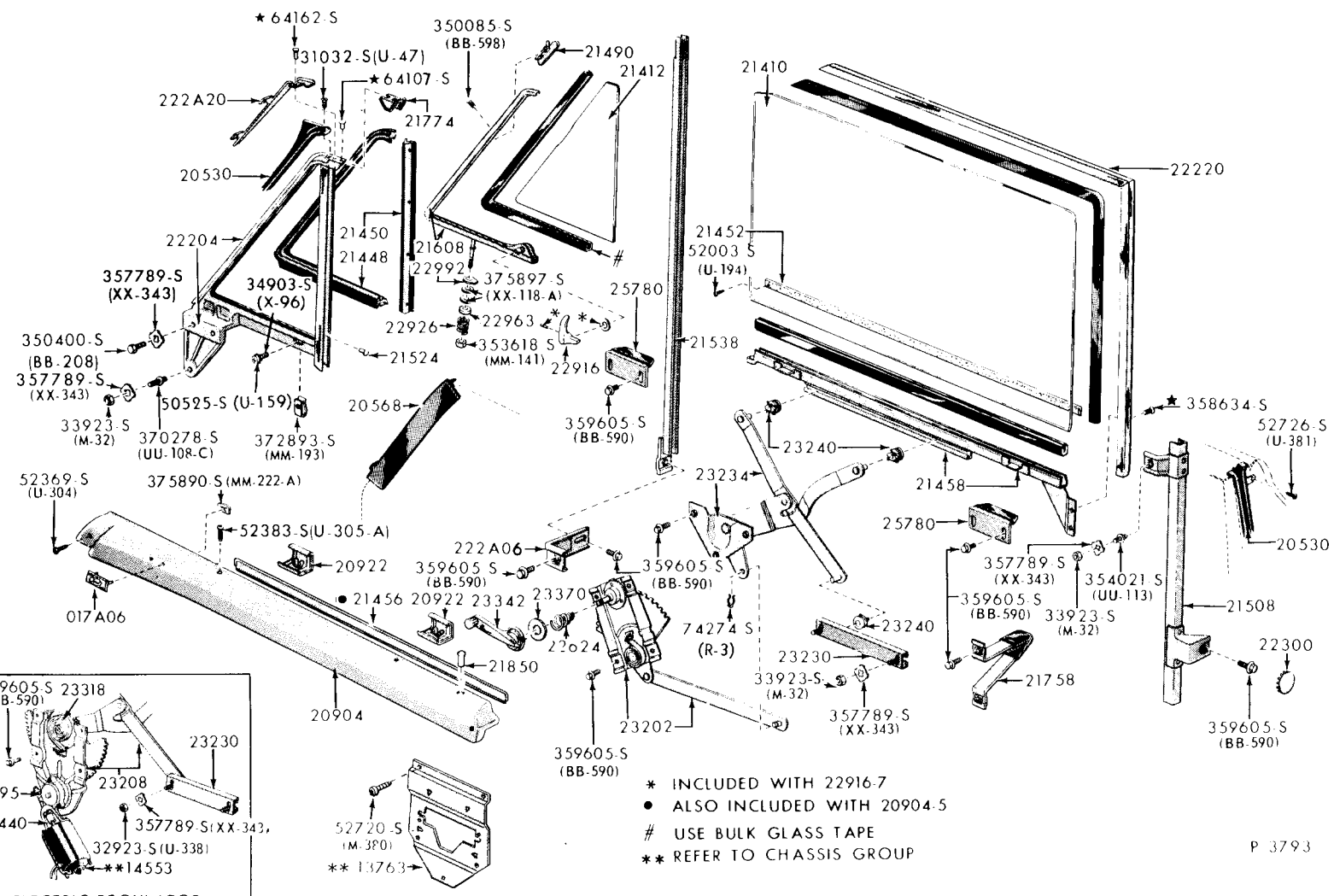


- # USE BULK GLASS TAPE
- * INCLUDED WITH 229167
- ALSO INCLUDED WITH 20904 5
- ** REFER TO CHASSIS GROUP
- † REFER TO GROUP IN CHASSIS SECTION

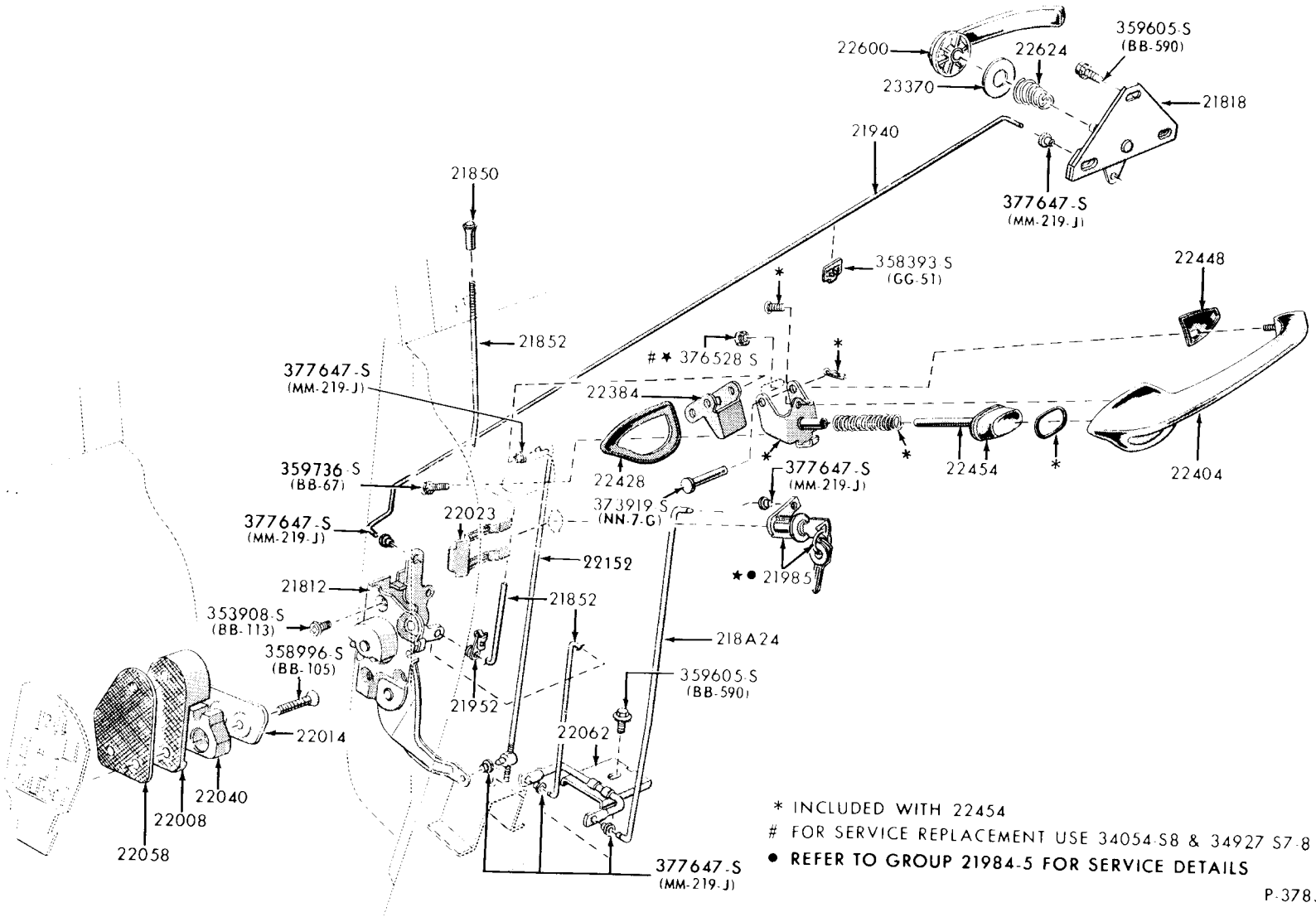


FORD CAR PARTS
BODY ILLUSTRATION
SECTION 230

1962 DOOR WINDOW PARTS - BODY TYPE A (76)



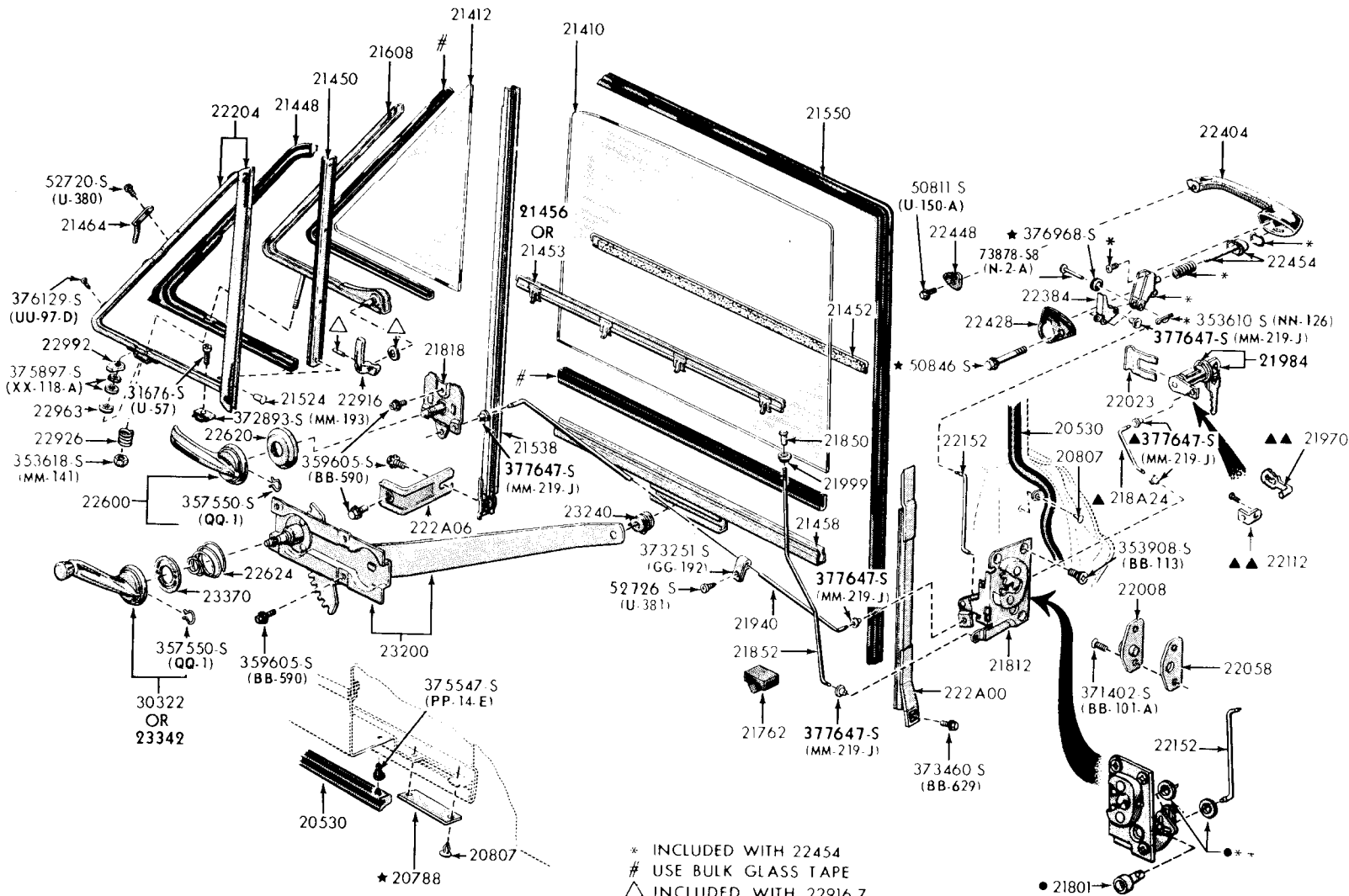
- * INCLUDED WITH 22916-7
- ALSO INCLUDED WITH 20904-5
- # USE BULK GLASS TAPE
- ** REFER TO CHASSIS GROUP



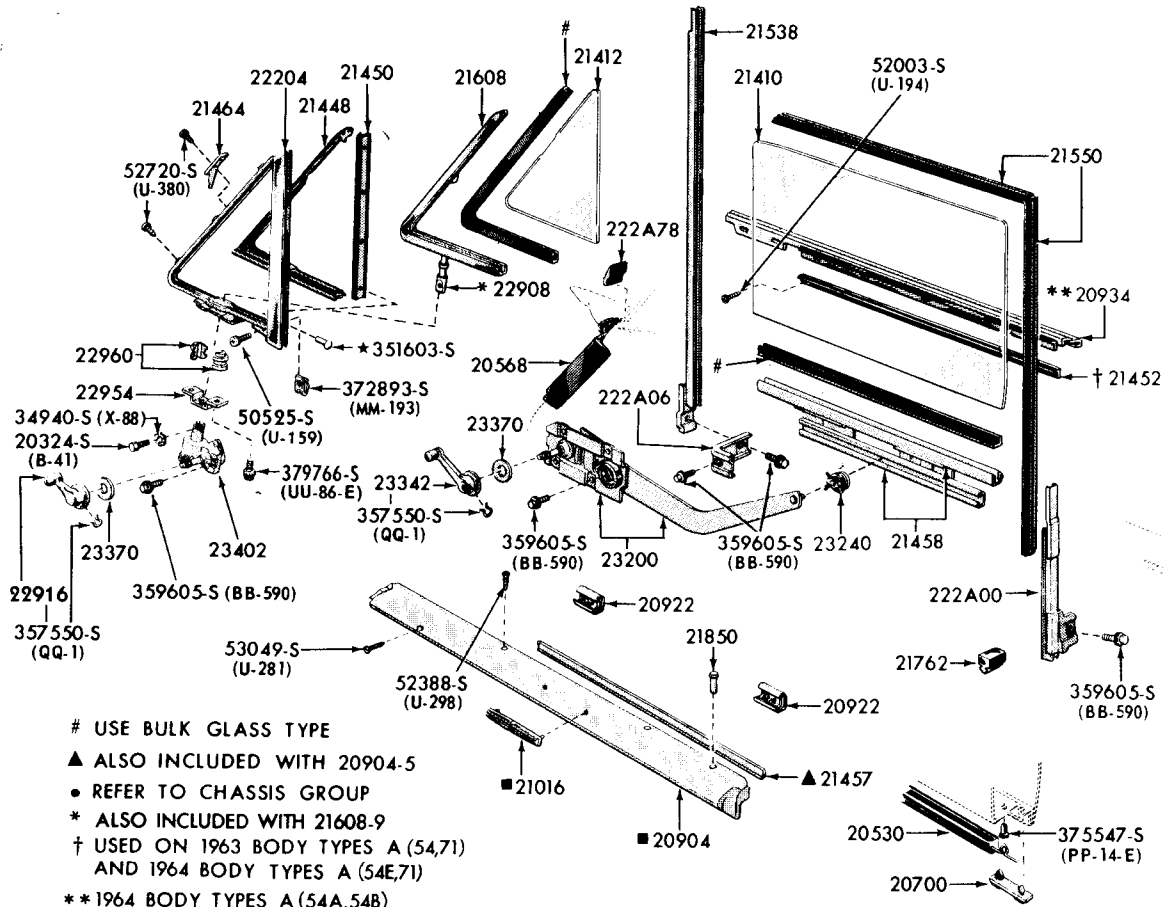
- * INCLUDED WITH 22454
- # FOR SERVICE REPLACEMENT USE 34054 S8 & 34927 S7-8
- REFER TO GROUP 21984.5 FOR SERVICE DETAILS

P-3785

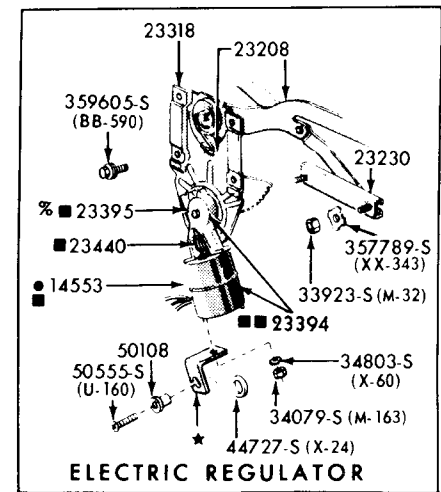
1962/64 FAIRLANE FRONT DOOR PARTS - BODY TYPES B(54,62,71) - TYPICAL - "Before 3/1/64"



- * INCLUDED WITH 22454
- # USE BULK GLASS TAPE
- △ INCLUDED WITH 22916.7
- ALSO INCLUDED WITH 21812.3
- ** INCLUDED WITH 21801
- ▲ 1962 UNITS
- ▲▲ 1963/64 UNITS "BEFORE 3/1/64"

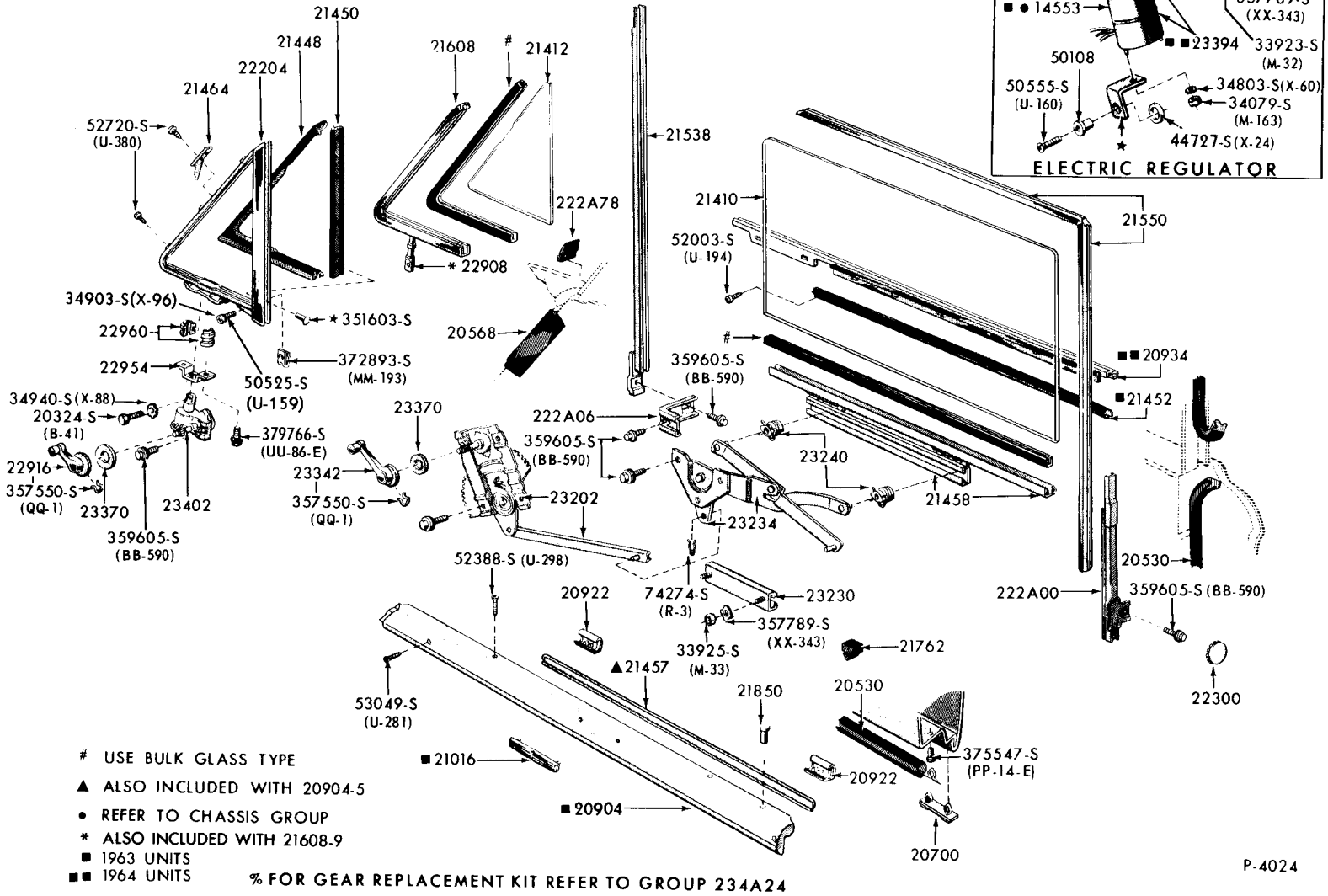


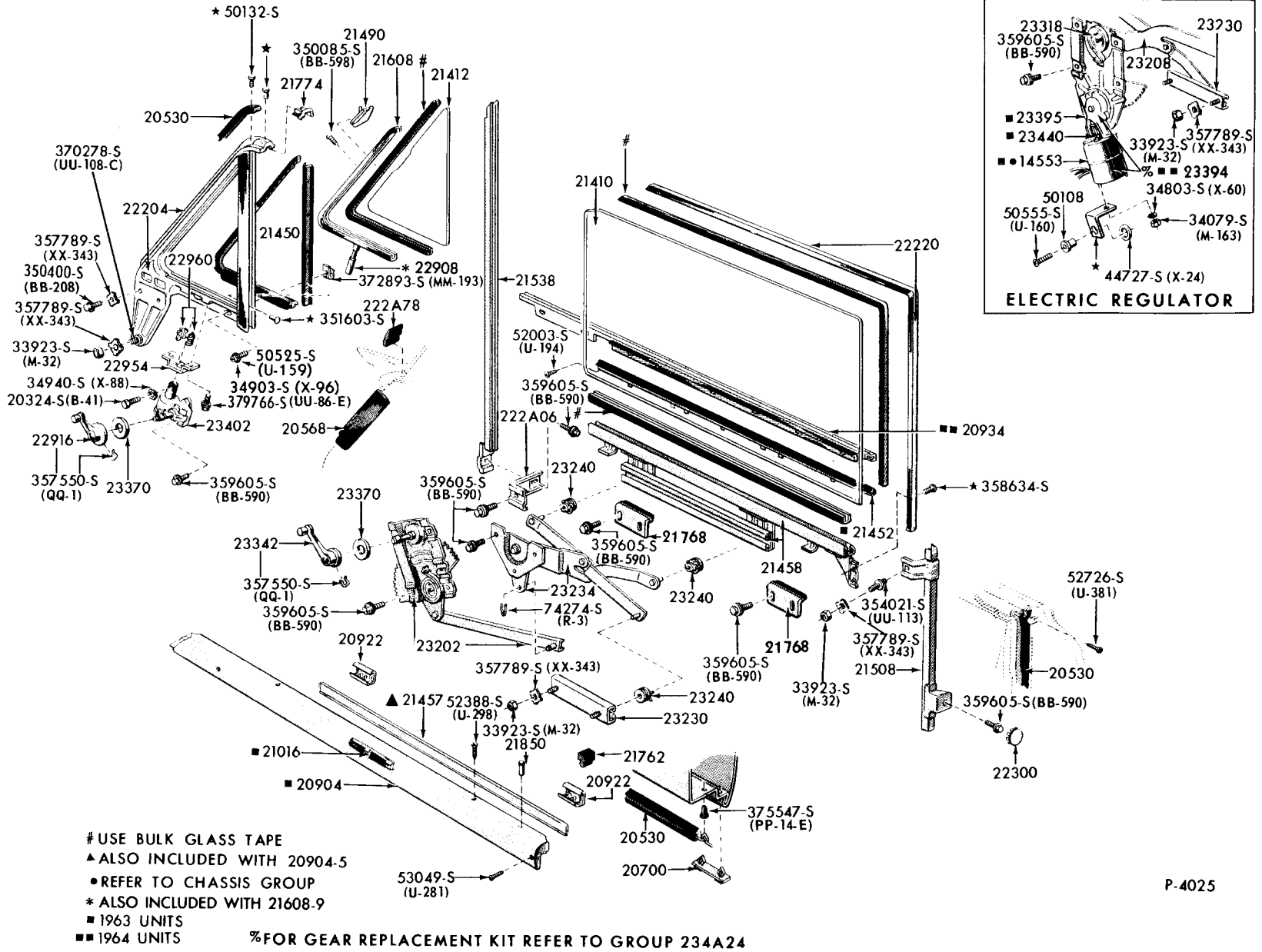
- # USE BULK GLASS TYPE
- ▲ ALSO INCLUDED WITH 20904-5
- REFER TO CHASSIS GROUP
- * ALSO INCLUDED WITH 21608-9
- † USED ON 1963 BODY TYPES A (54,71) AND 1964 BODY TYPES A (54E,71)
- ** 1964 BODY TYPES A (54A,54B)
- 1963
- 1964
- % FOR GEAR REPLACEMENT KIT REFER TO GROUP 234A24



P-4023

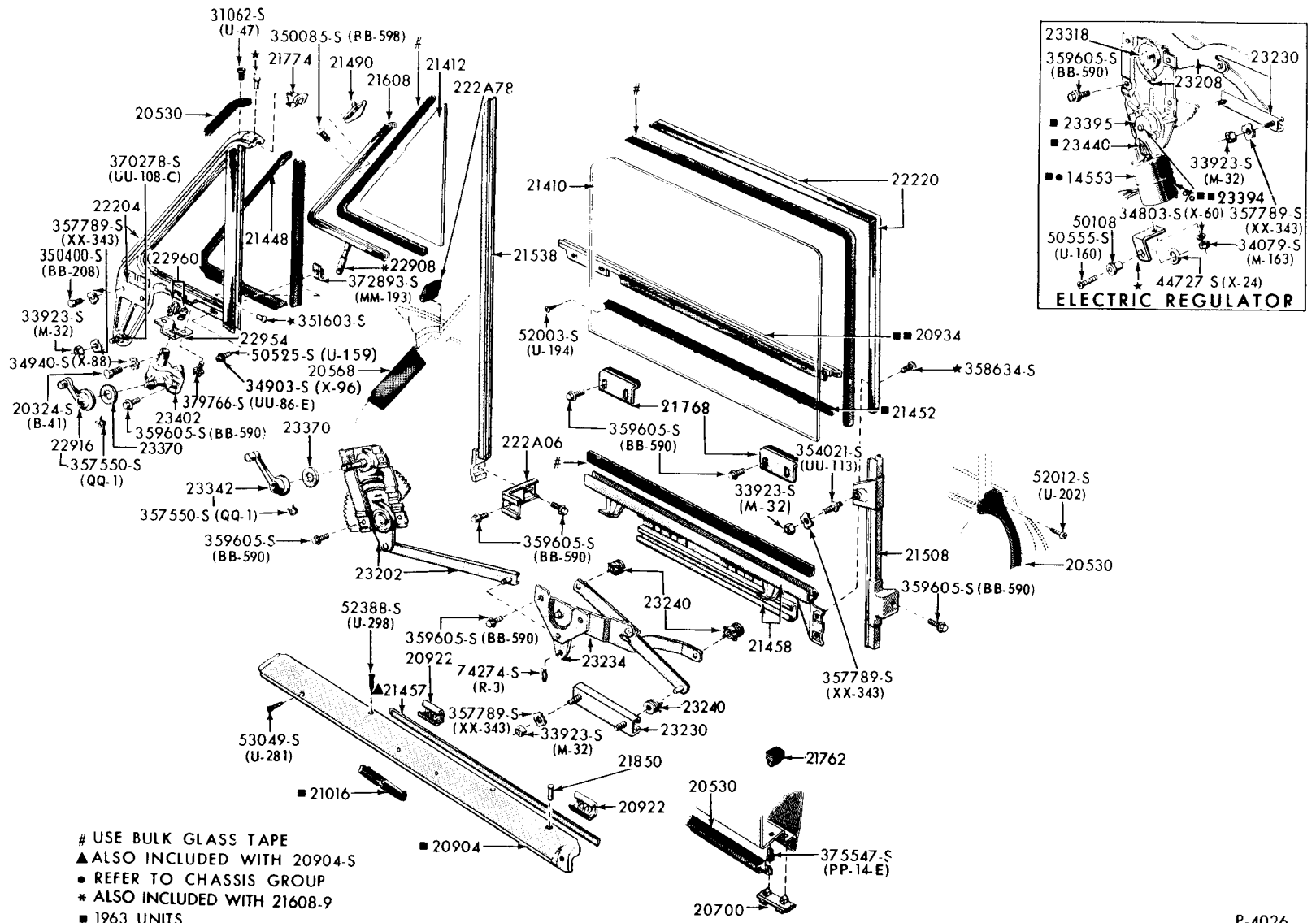
1963/64 FRONT DOOR WINDOW & RELATED PARTS - BODY TYPE A (62)



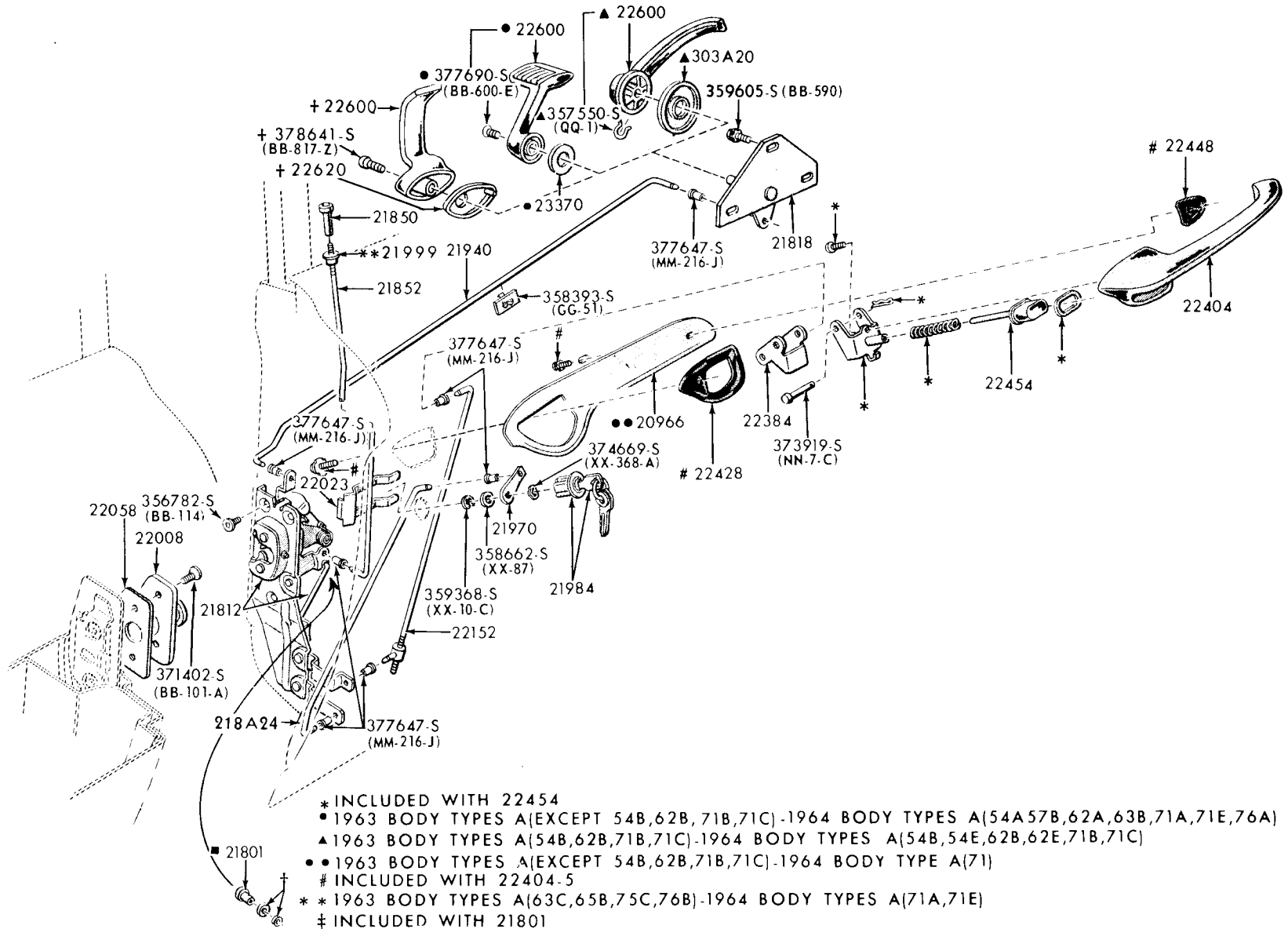


- # USE BULK GLASS TAPE
- ▲ ALSO INCLUDED WITH 20904-5
- REFER TO CHASSIS GROUP
- * ALSO INCLUDED WITH 21608-9
- 1963 UNITS
- 1964 UNITS
- % FOR GEAR REPLACEMENT KIT REFER TO GROUP 234A24

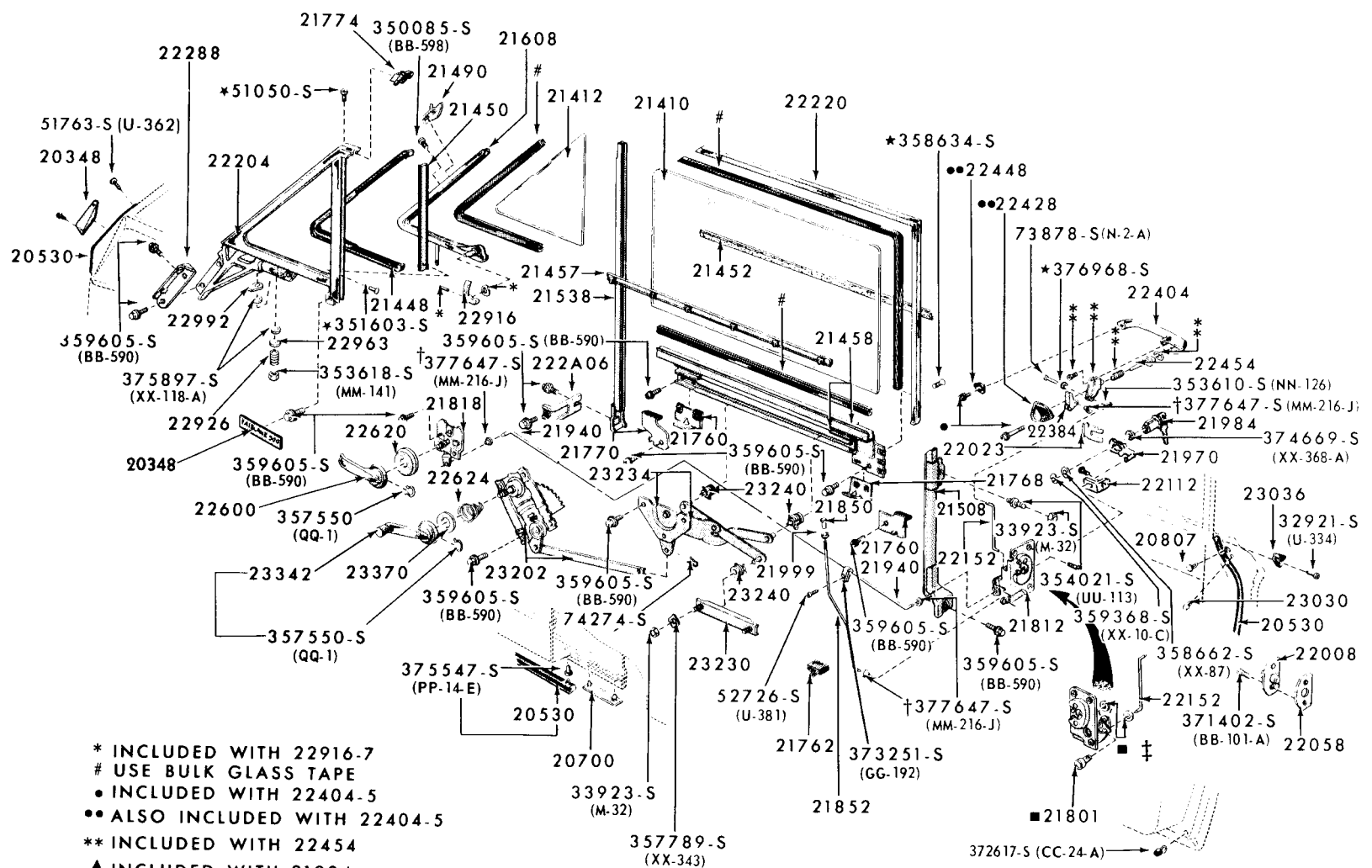
1963/64 FRONT DOOR WINDOW & RELATED PARTS-BODY TYPES A(67, 75)-TYPICAL



- # USE BULK GLASS TAPE
- ▲ ALSO INCLUDED WITH 20904-S
- REFER TO CHASSIS GROUP
- * ALSO INCLUDED WITH 21608-9
- 1963 UNITS
- 1964 UNITS
- % FOR GEAR REPLACEMENT KIT REFER TO GROUP 234A24

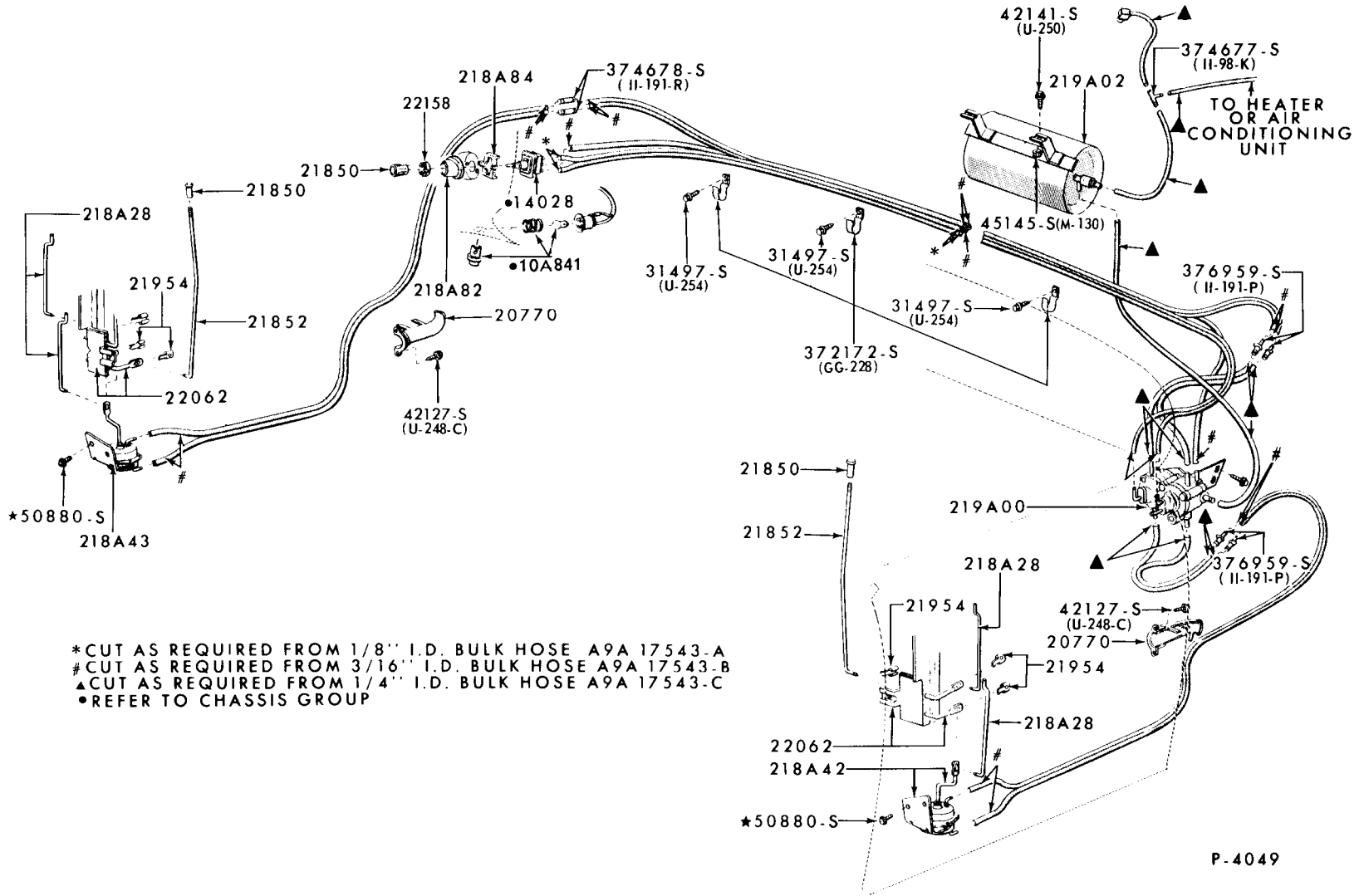


- * INCLUDED WITH 22454
- 1963 BODY TYPES A (EXCEPT 54B, 62B, 71B, 71C) - 1964 BODY TYPES A (54A, 57B, 62A, 63B, 71A, 71E, 76A)
- ▲ 1963 BODY TYPES A (54B, 62B, 71B, 71C) - 1964 BODY TYPES A (54B, 54E, 62B, 62E, 71B, 71C)
- 1963 BODY TYPES A (EXCEPT 54B, 62B, 71B, 71C) - 1964 BODY TYPE A (71)
- # INCLUDED WITH 22404-5
- * 1963 BODY TYPES A (63C, 65B, 75C, 76B) - 1964 BODY TYPES A (71A, 71E)
- ‡ INCLUDED WITH 21801
- ALSO INCLUDED WITH 21812-3
- † 1964 BODY TYPES A (57C, 63C, 76B)

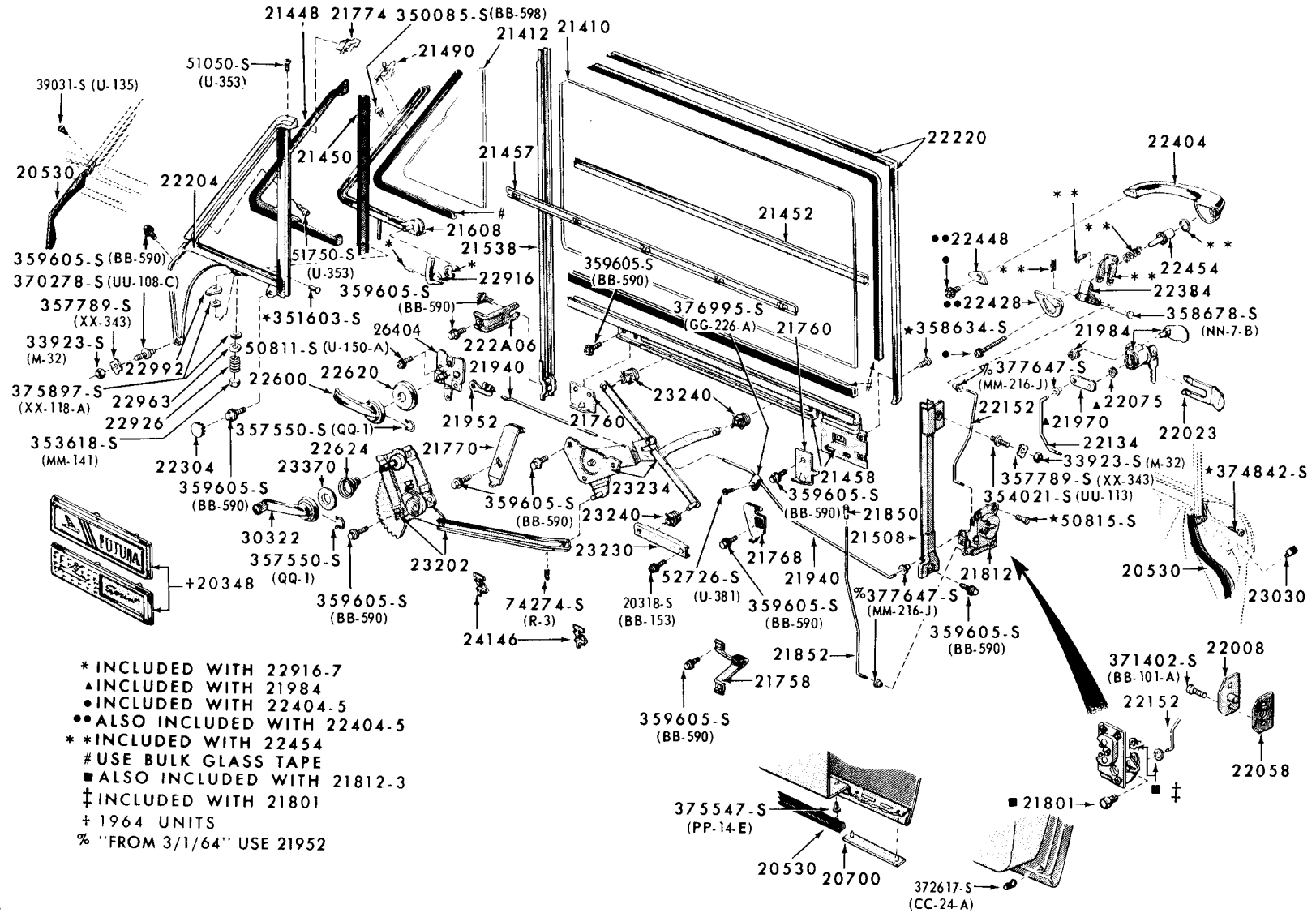


- * INCLUDED WITH 22916-7
- # USE BULK GLASS TAPE
- INCLUDED WITH 22404-5
- ALSO INCLUDED WITH 22404-5
- ** INCLUDED WITH 22454
- ▲ INCLUDED WITH 21984
- ALSO INCLUDED WITH 21812-3
- ‡ INCLUDED WITH 21801
- † "FROM 3/1/64" USE 21952

1968 / FAIRLANE FRONT DOOR PARTS - BODY TYPE B(65) - TYPICAL

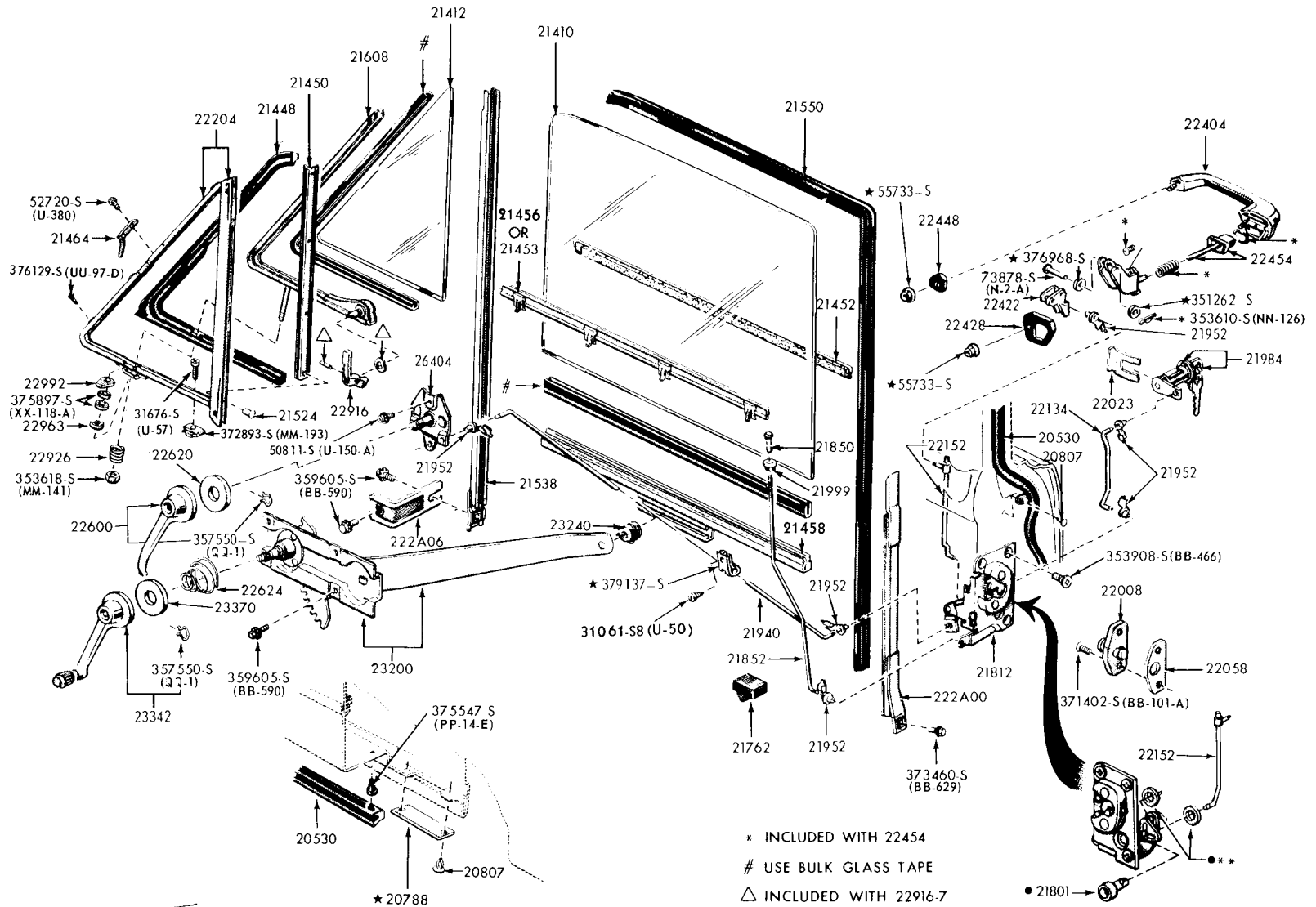


P-4049



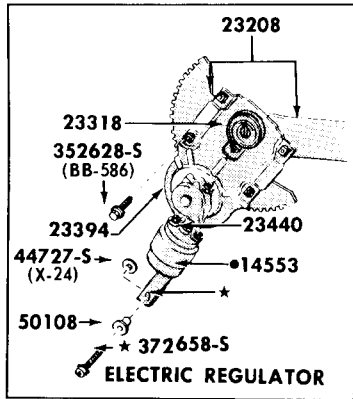
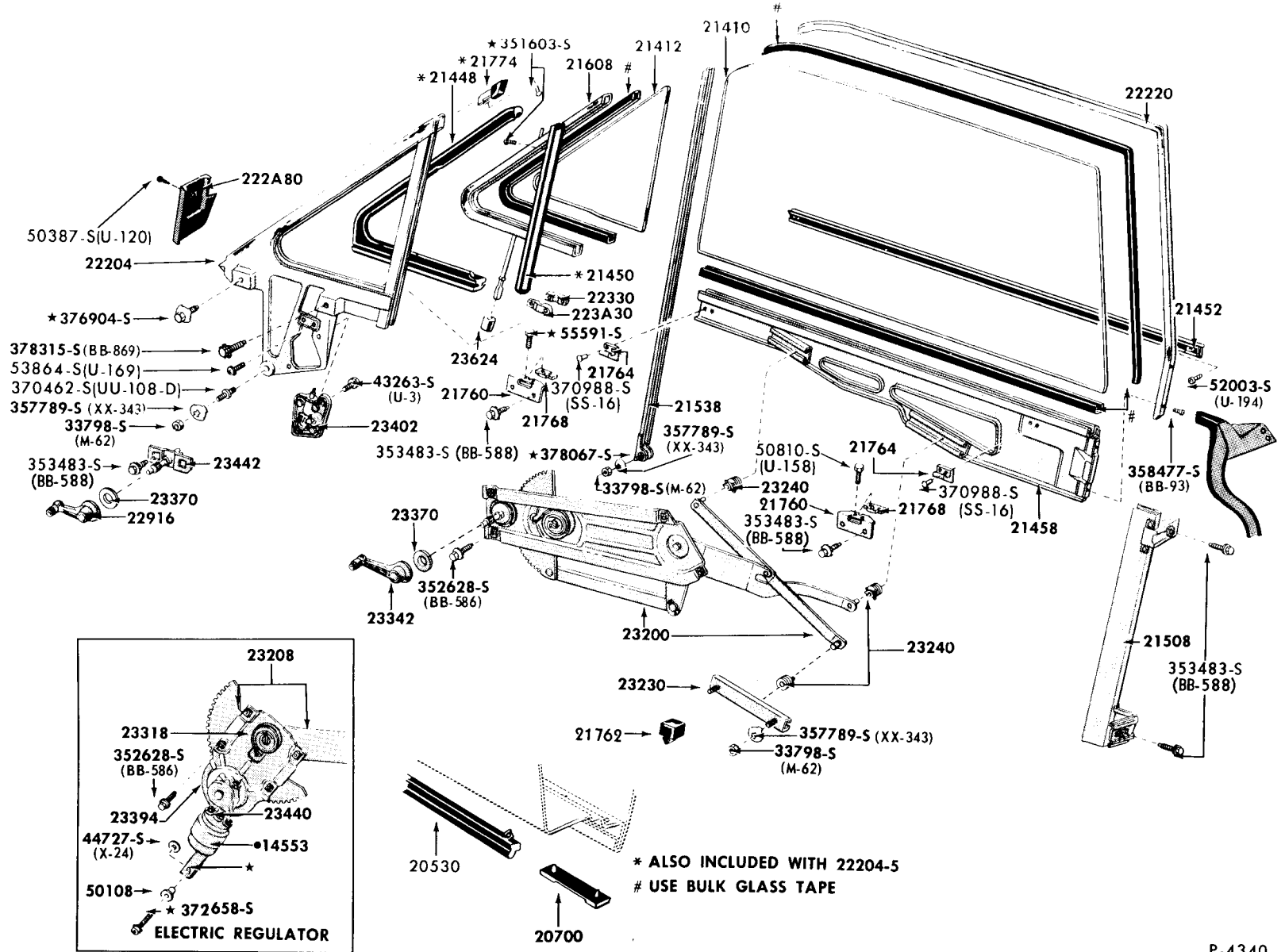
- * INCLUDED WITH 22916-7
- ▲ INCLUDED WITH 21984
- INCLUDED WITH 22404-5
- ALSO INCLUDED WITH 22404-5
- * * INCLUDED WITH 22454
- # USE BULK GLASS TAPE
- ALSO INCLUDED WITH 21812-3
- ‡ INCLUDED WITH 21801
- + 1964 UNITS
- % "FROM 3/1/64" USE 21952

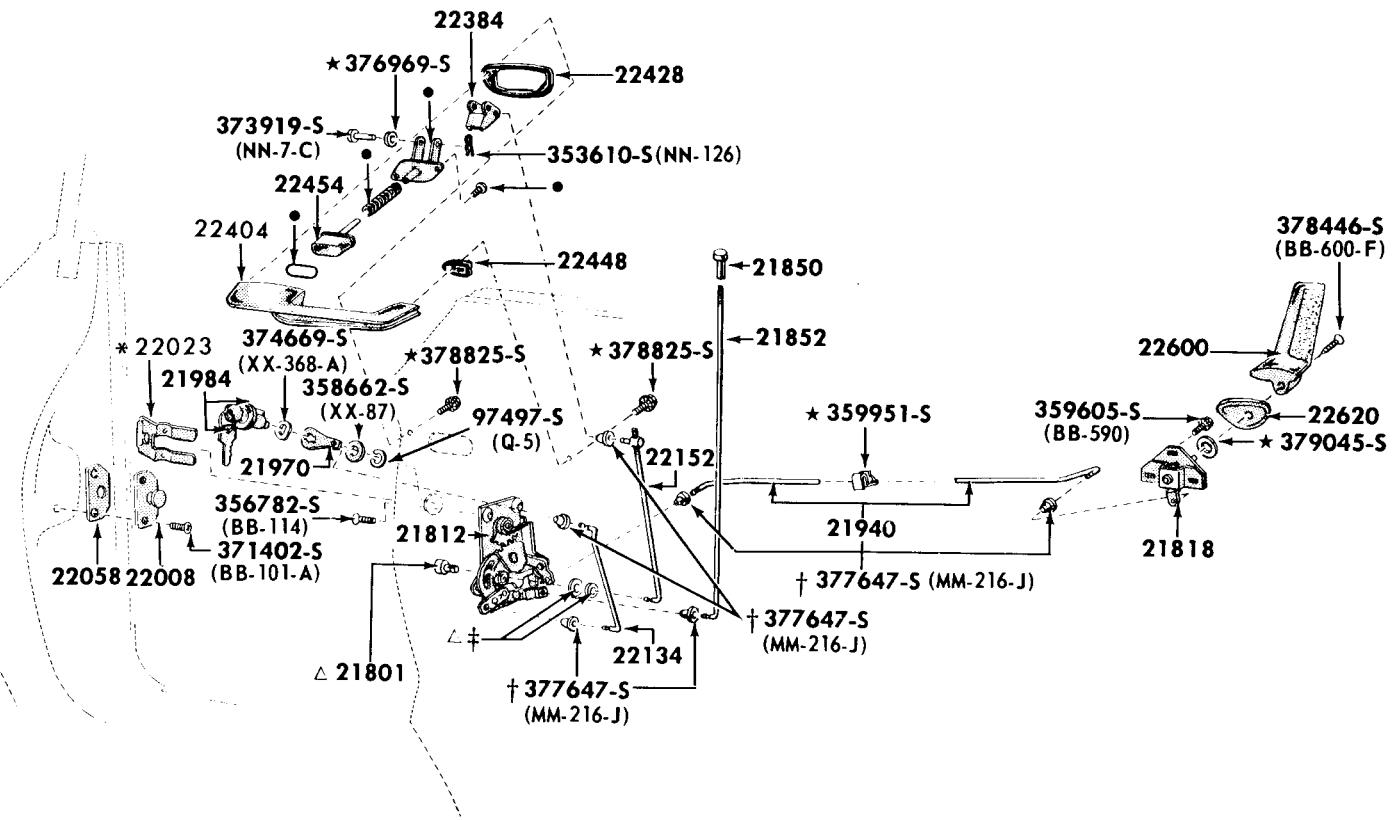
1964/
FRONT DOOR WINDOW and RELATED PARTS
FAIRLANE - BODY TYPES 54, 62, 71 - "FROM 3/1/64"



- * INCLUDED WITH 22454
- # USE BULK GLASS TAPE
- △ INCLUDED WITH 22916-7
- ALSO INCLUDED WITH 21812-3
- ** INCLUDED WITH 21801

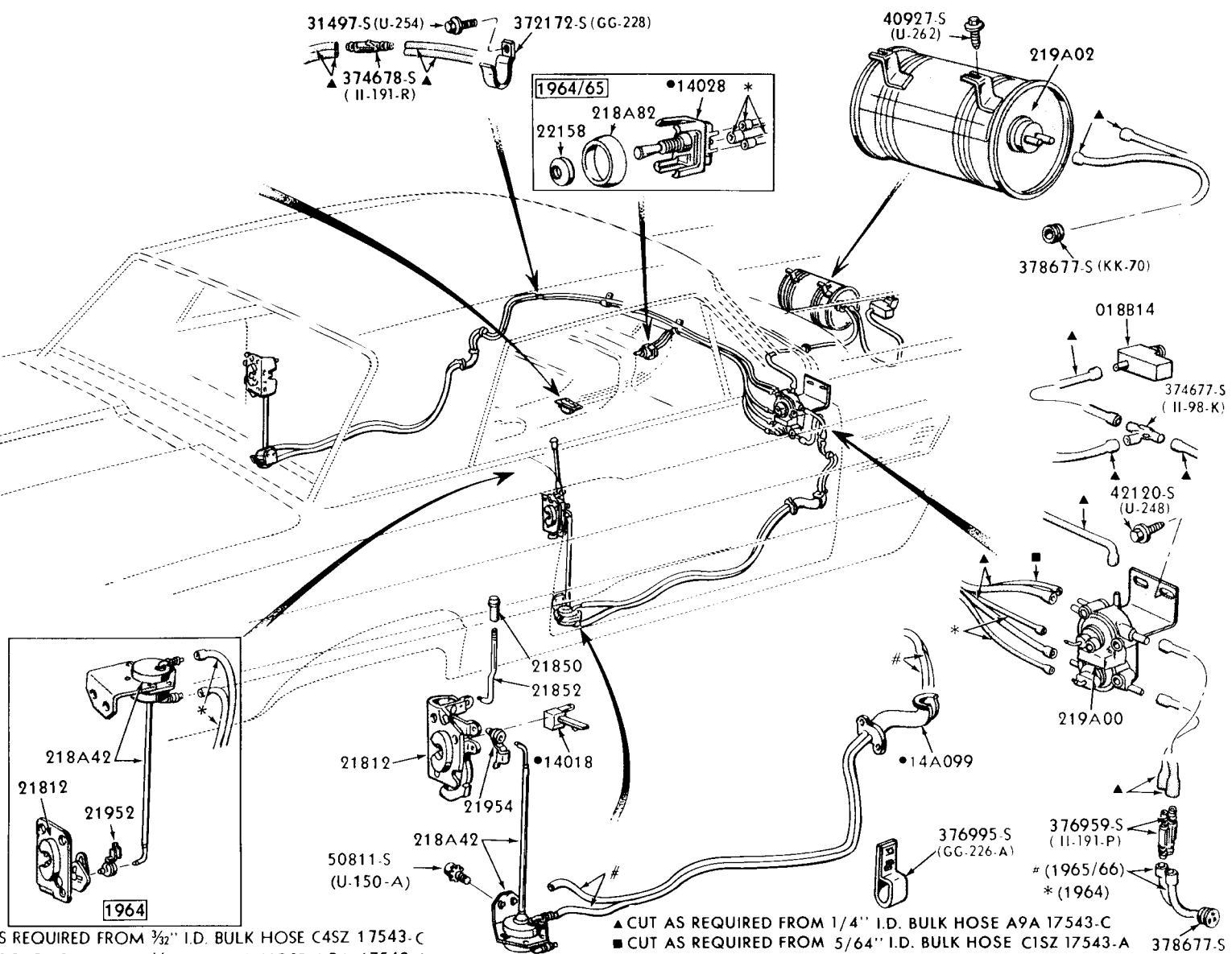
1964 THUNDERBIRD FRONT DOOR WINDOW & RELATED PARTS-BODY TYPES S(AU)-TYPICAL





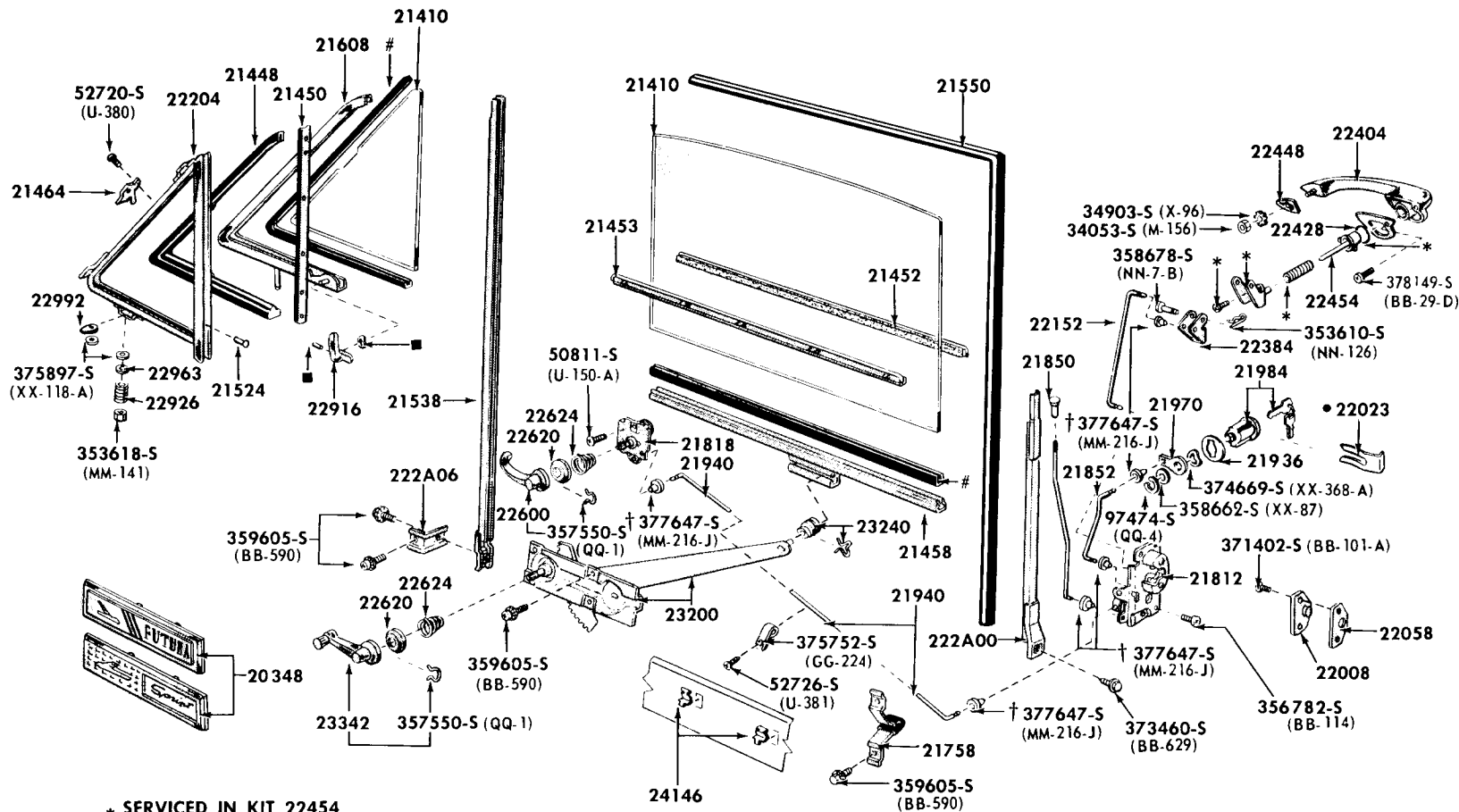
- * ALSO INCLUDED WITH 21984
- INCLUDED WITH 22454
- △ ALSO INCLUDED WITH 21812
- ‡ INCLUDED WITH 21801
- † "FROM 3/1/64" USE 21952

VACUUM DOOR LATCH and RELATED PARTS
1964/ THUNDERBIRD

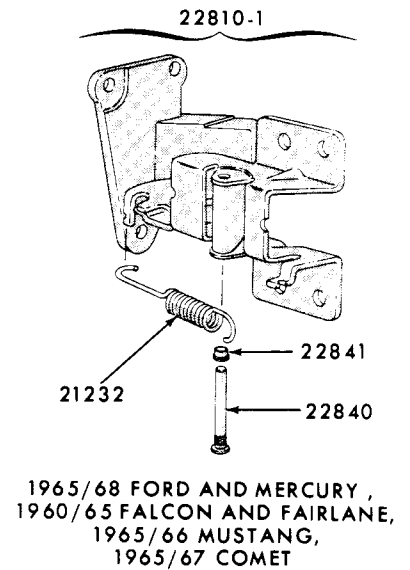
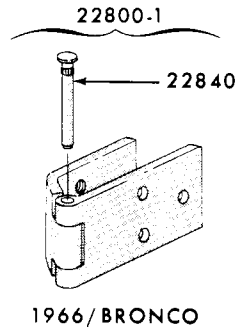
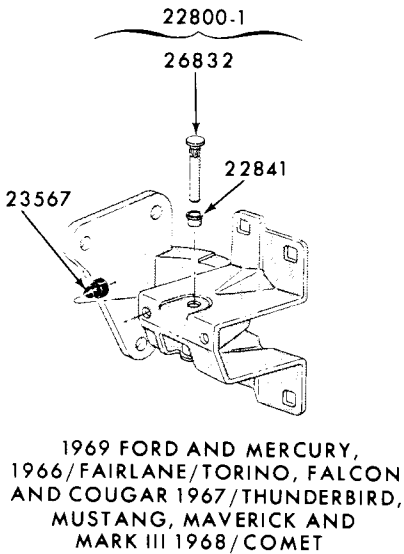
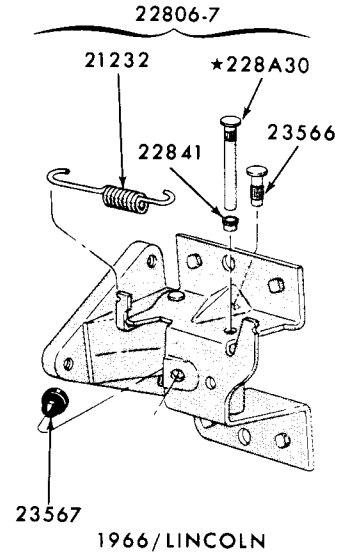
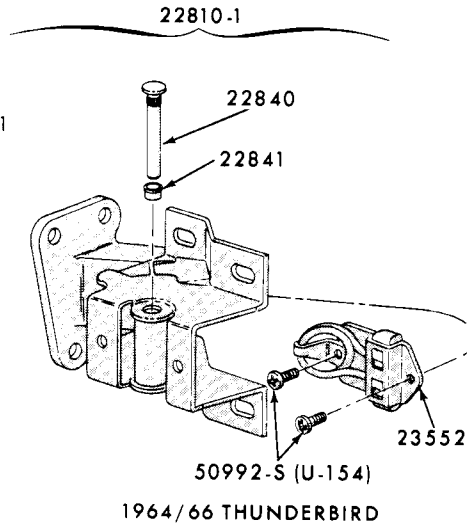
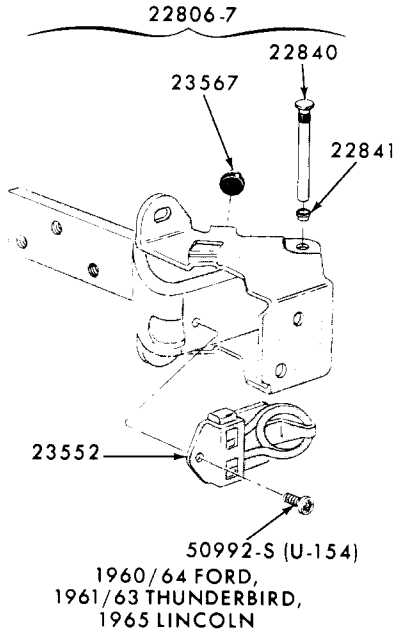


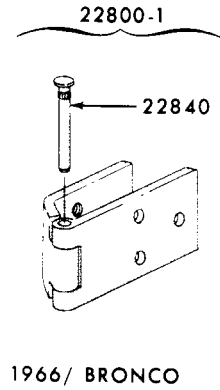
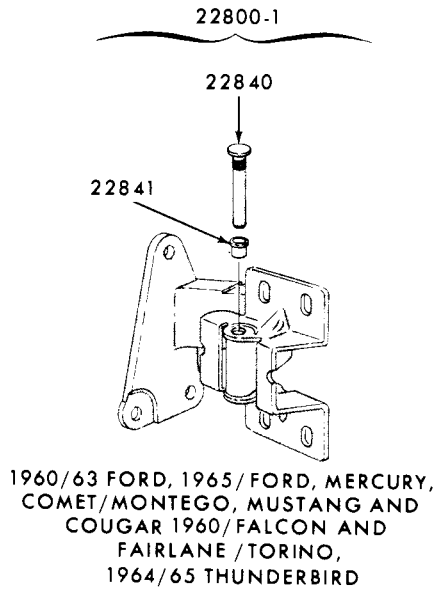
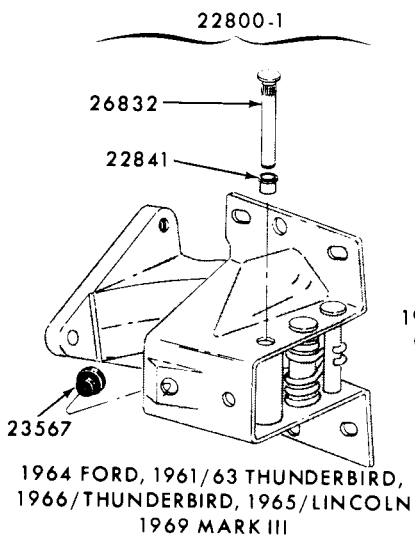
O CUT AS REQUIRED FROM 3/32" I.D. BULK HOSE C4SZ 17543-C
 * CUT AS REQUIRED FROM 1/8" I.D. BULK HOSE A9A 17543-A
 # CUT AS REQUIRED FROM 3/16" I.D. BULK HOSE A9A 17543-B

▲ CUT AS REQUIRED FROM 1/4" I.D. BULK HOSE A9A 17543-C
 ■ CUT AS REQUIRED FROM 5/64" I.D. BULK HOSE C1SZ 17543-A
 ◆ CUT AS REQUIRED FROM 5/32" I.D. BULK HOSE C4SZ 17543-A
 • REFER TO CHASSIS SECTION GROUP



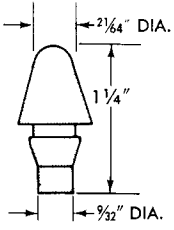
- * SERVICED IN KIT 22454
- SERVICED IN KIT 22916-7
- # USE BULK GLASS TAPE
- ALSO SUPPLIED WITH 21984
- † "FROM 3/1/64" USE 21952





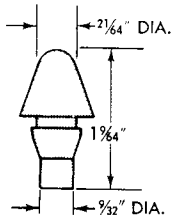
P-6980

FRONT DOOR HINGE - UPPER
1960/ FAIRLANE, FALCON, FORD and THUNDERBIRD - TYPICAL

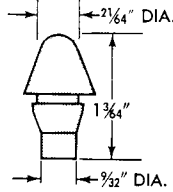


★352848-S

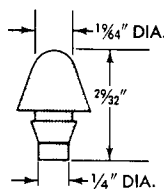
REPLACED BY 372486-S



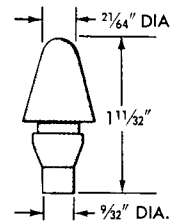
358712-S
(CC-13)



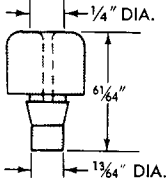
358713-S
(CC-13)



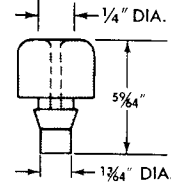
354434-S
(CC-4)



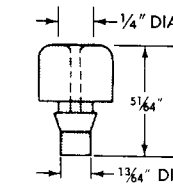
359933-S
(CC-33)



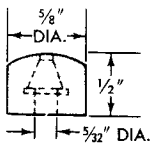
371496-S
(CC-2)



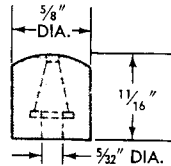
354860-S
(CC-6)



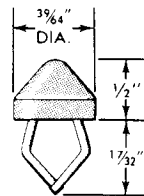
377781-S
(CC-34)



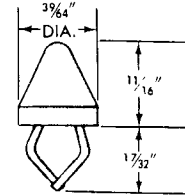
358953-S
(CC-18)



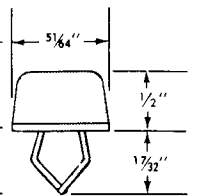
358939-S
(CC-17)



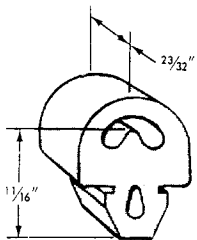
372617-S
(CC-24-A)



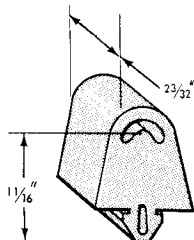
372486-S
(CC-24)



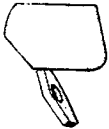
C20Z-6223030-A



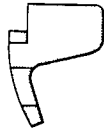
C7AZ-54265A28-A



C80Z-54265A28-A



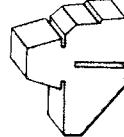
C20Z-5427224-A



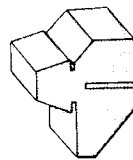
C20Z-5423036-A



C20Z-6223036-A



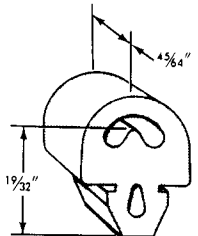
C2AZ-6223030-A



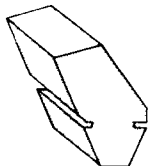
C3DZ7623030-A



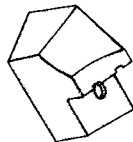
C3AZ6223036.A



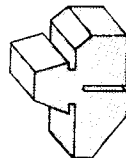
C7S26523030-A



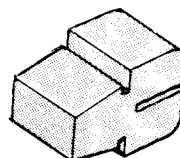
C3AZ-5423030-A



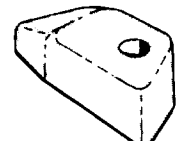
C30Z-6523036-A



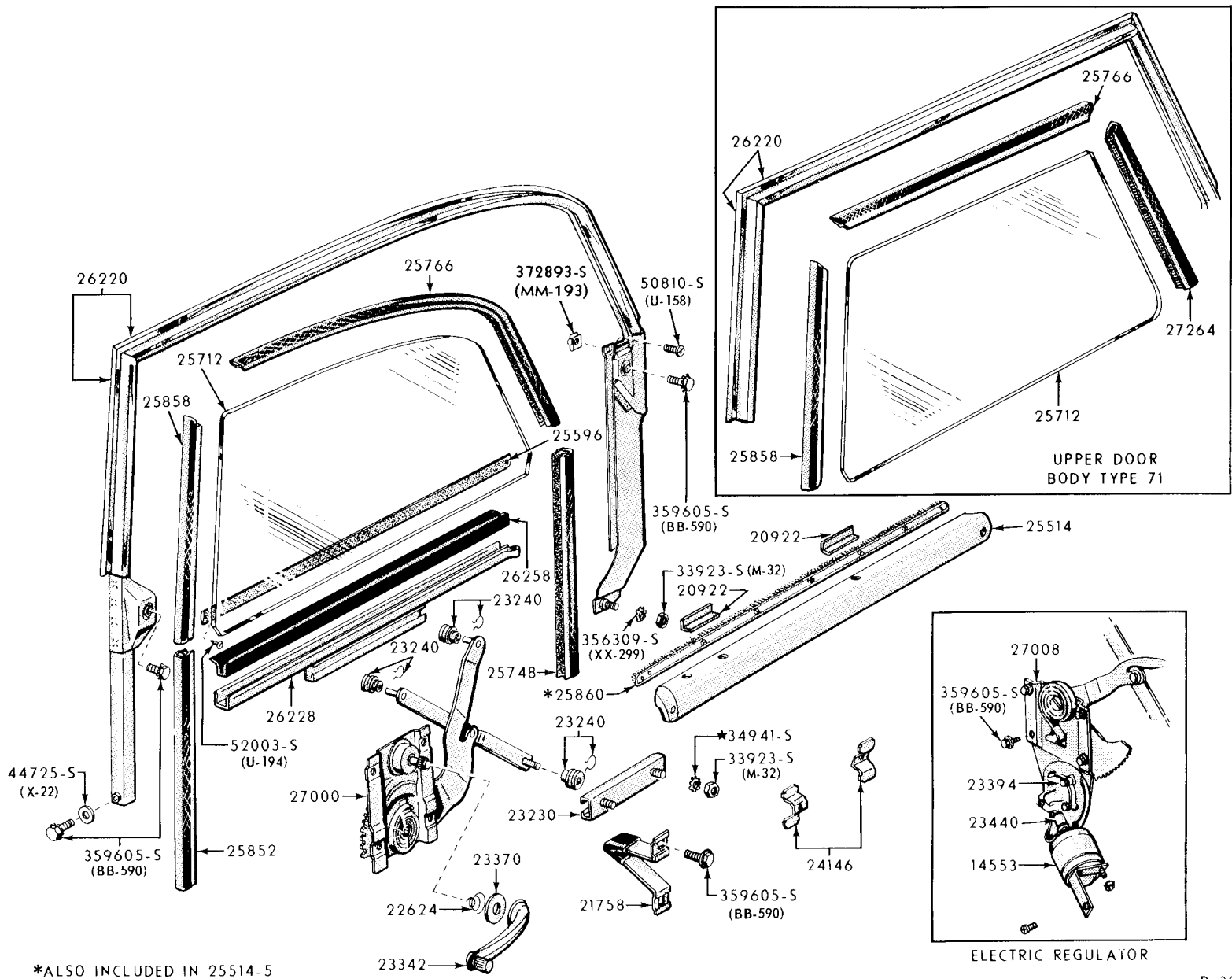
C4SZ-6323030-A



C5AZ-57265A28-A



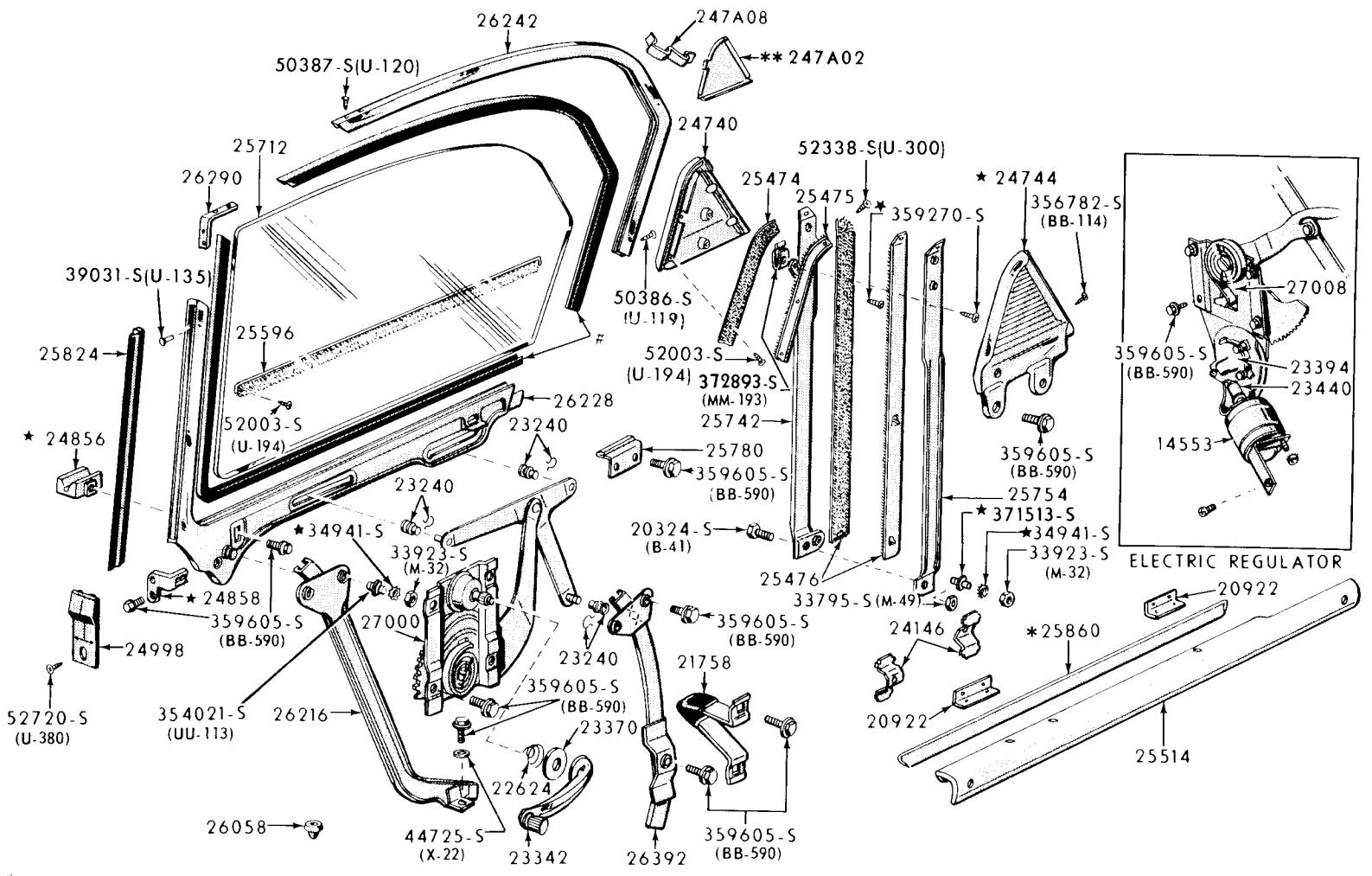
C7SZ5723036-A



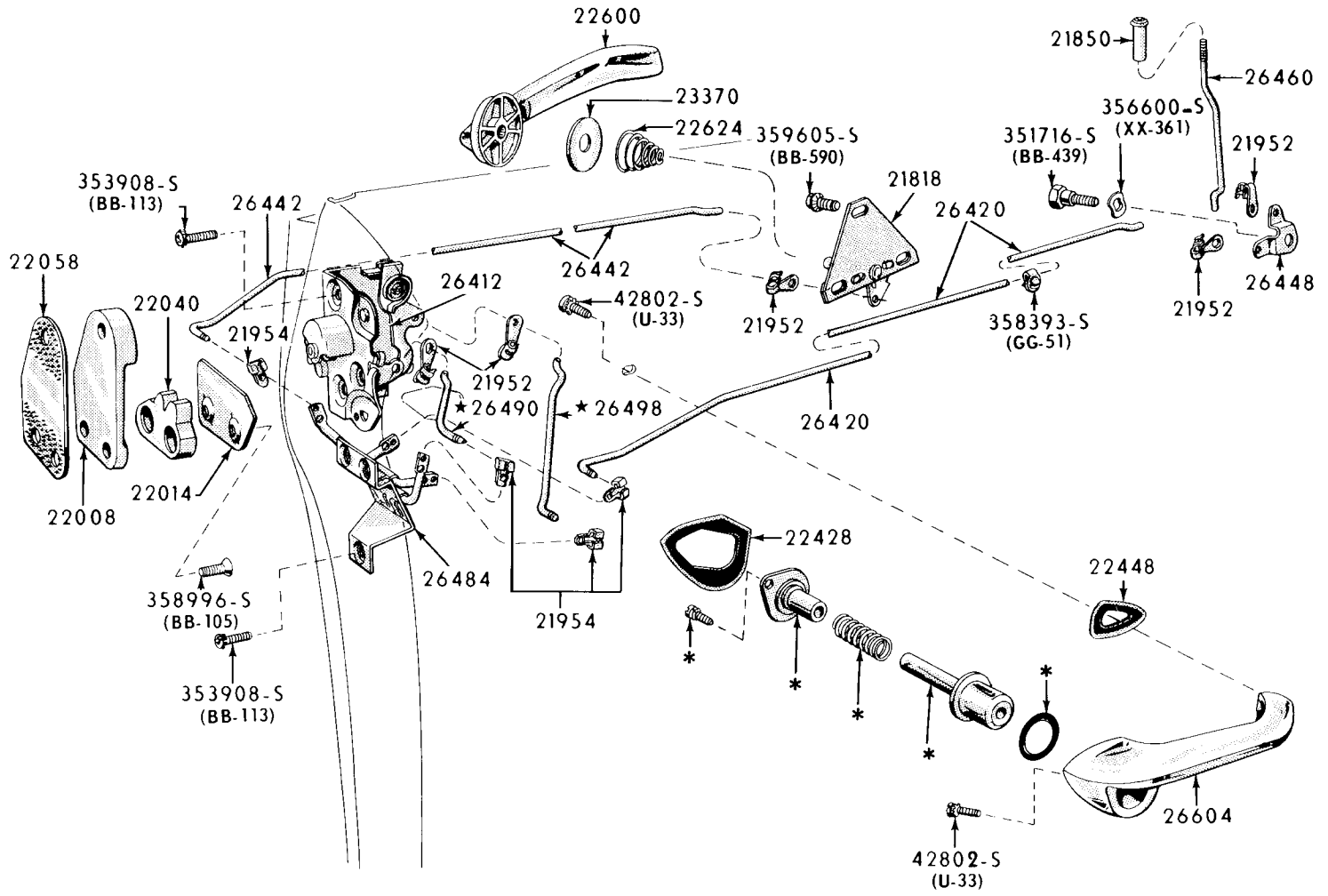
*ALSO INCLUDED IN 25514-5

ELECTRIC REGULATOR

1960/61 REAR DOOR WINDOW PARTS - BODY TYPE A(T5A)

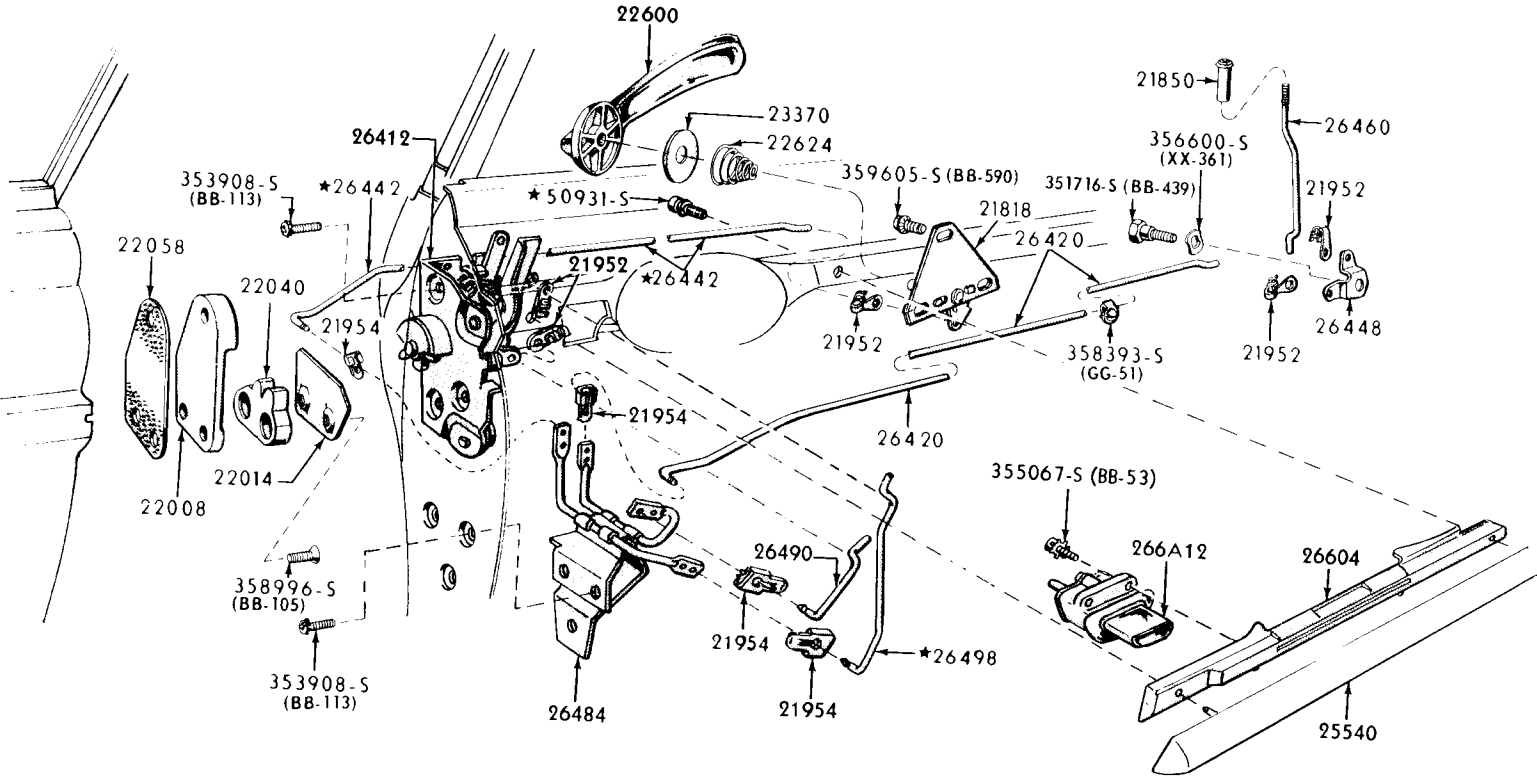


- # USE BULK GLASS TAPE
- * ALSO INCLUDED IN 25514-5
- ** SNAP ON PANEL ON 1961 UNITS ONLY



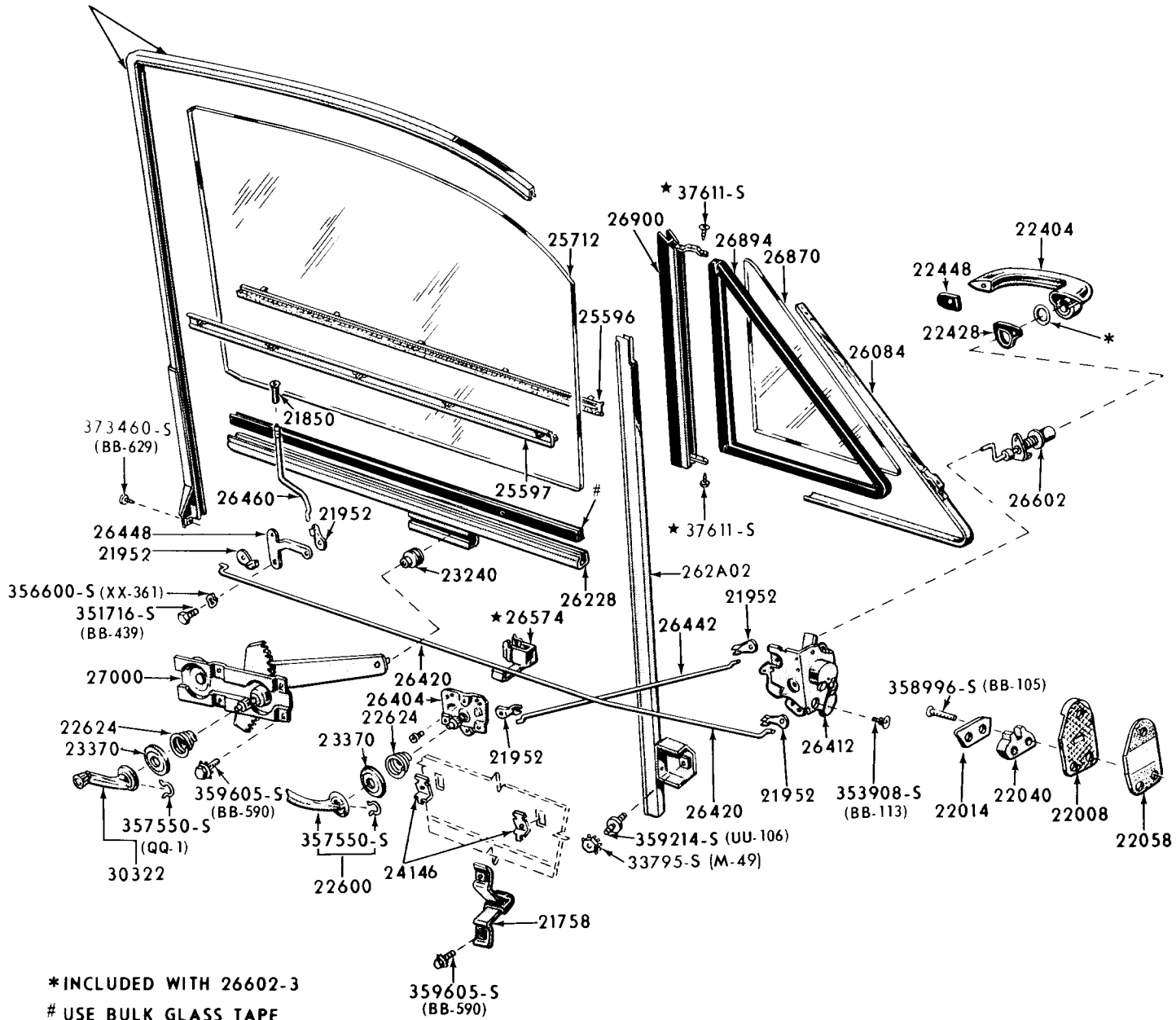
* SERVICED IN KIT 26410

P-3029



P-3343

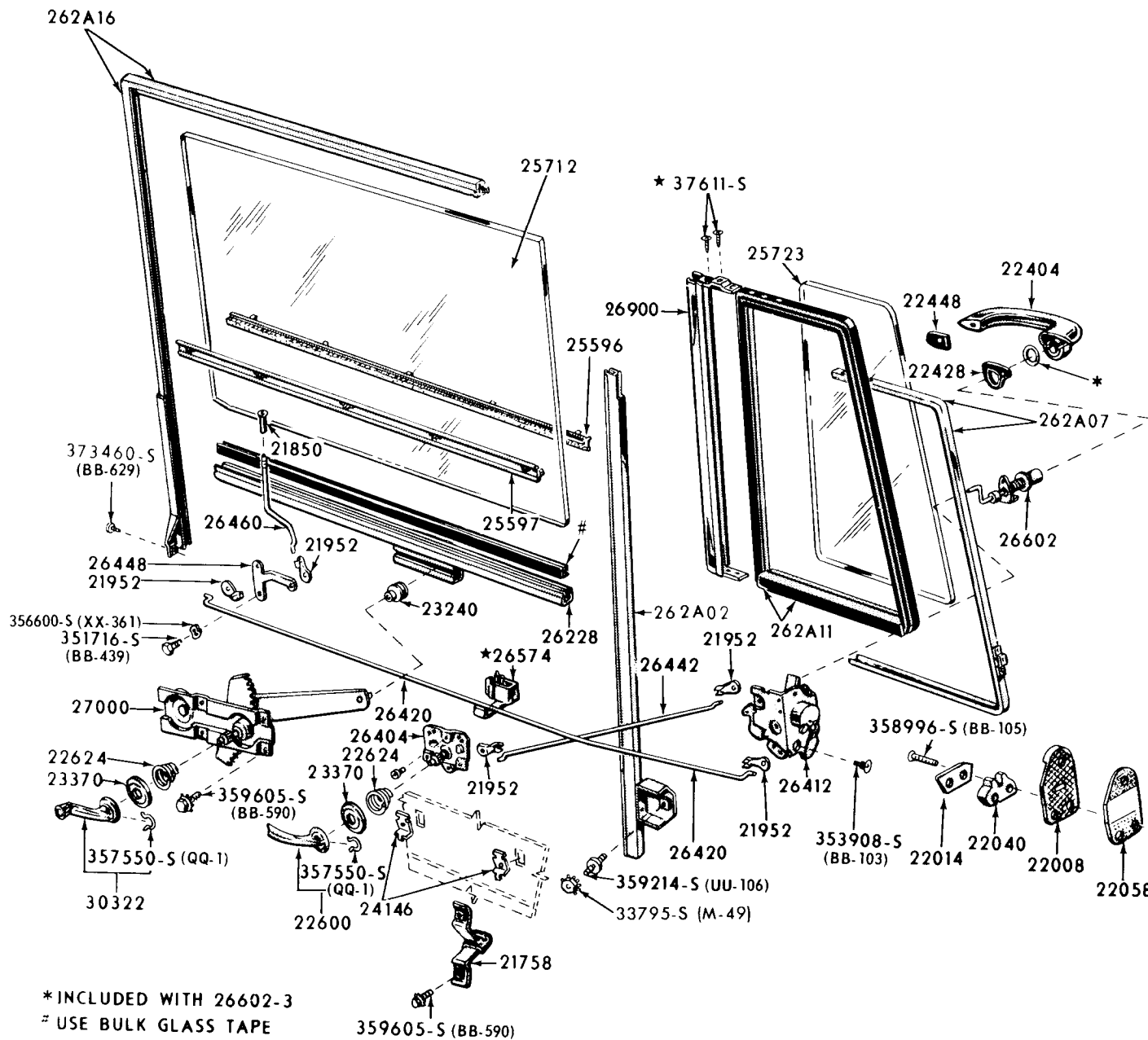
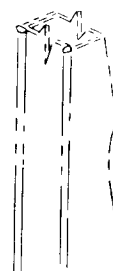
1961 REAR DOOR OUTSIDE HANDLE, LOCK & RELATED PARTS - BODY TYPES A(64, 58, 71)



* INCLUDED WITH 26602-3

USE BULK GLASS TAPE



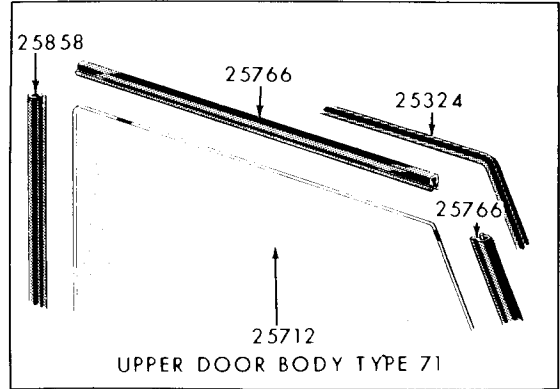
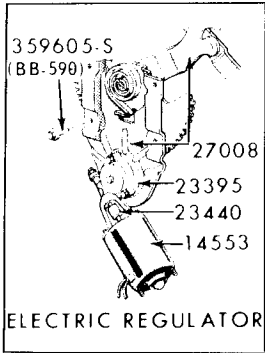
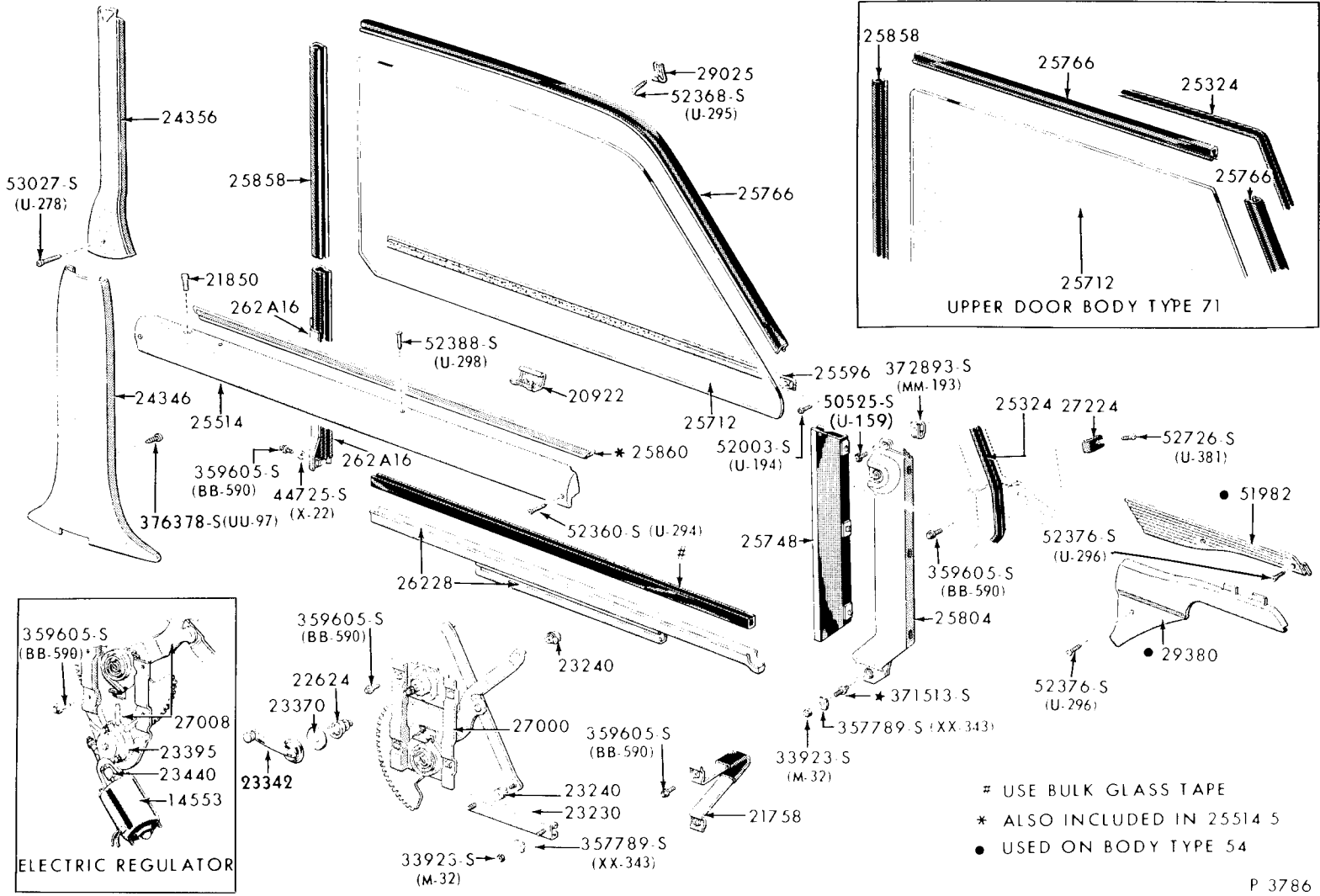


* INCLUDED WITH 26602-3

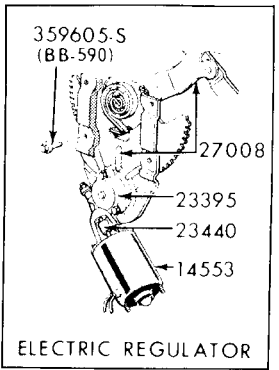
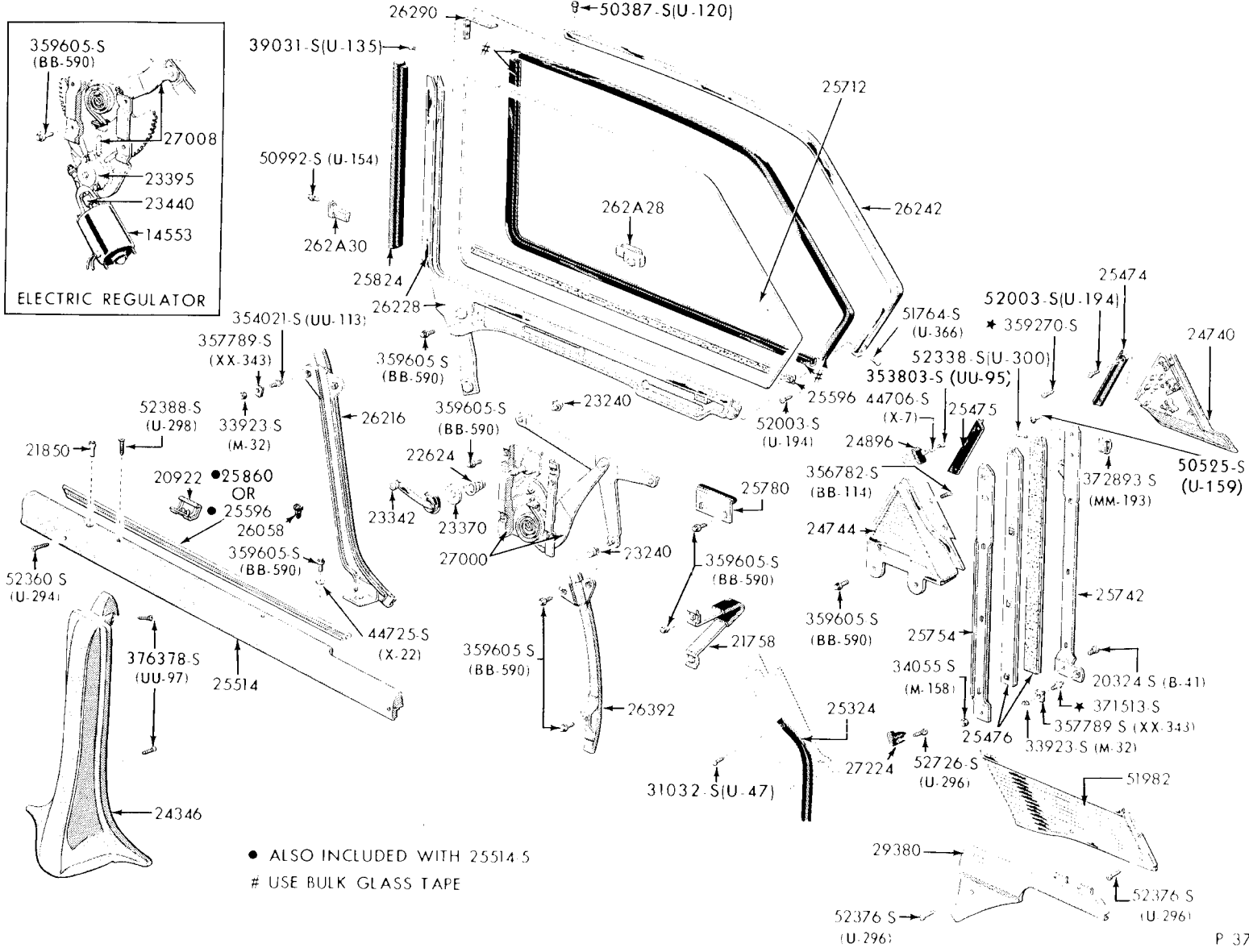
USE BULK GLASS TAPE

359605-S (BB-590)

1960/63 FALCON REAR DOOR PARTS - BODY TYPE X(71)-TYPICAL

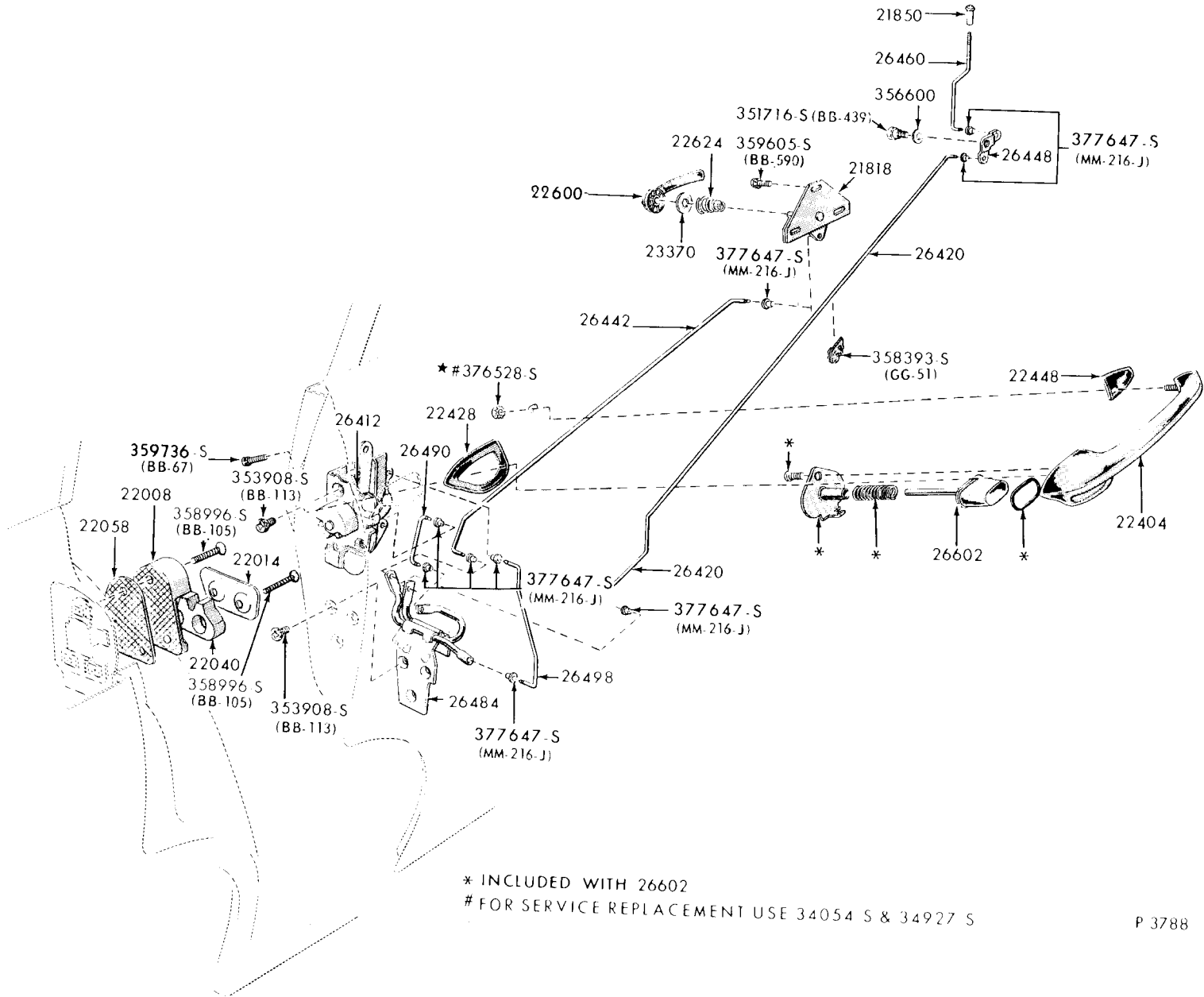


USE BULK GLASS TAPE
 * ALSO INCLUDED IN 25514 S
 ● USED ON BODY TYPE 54

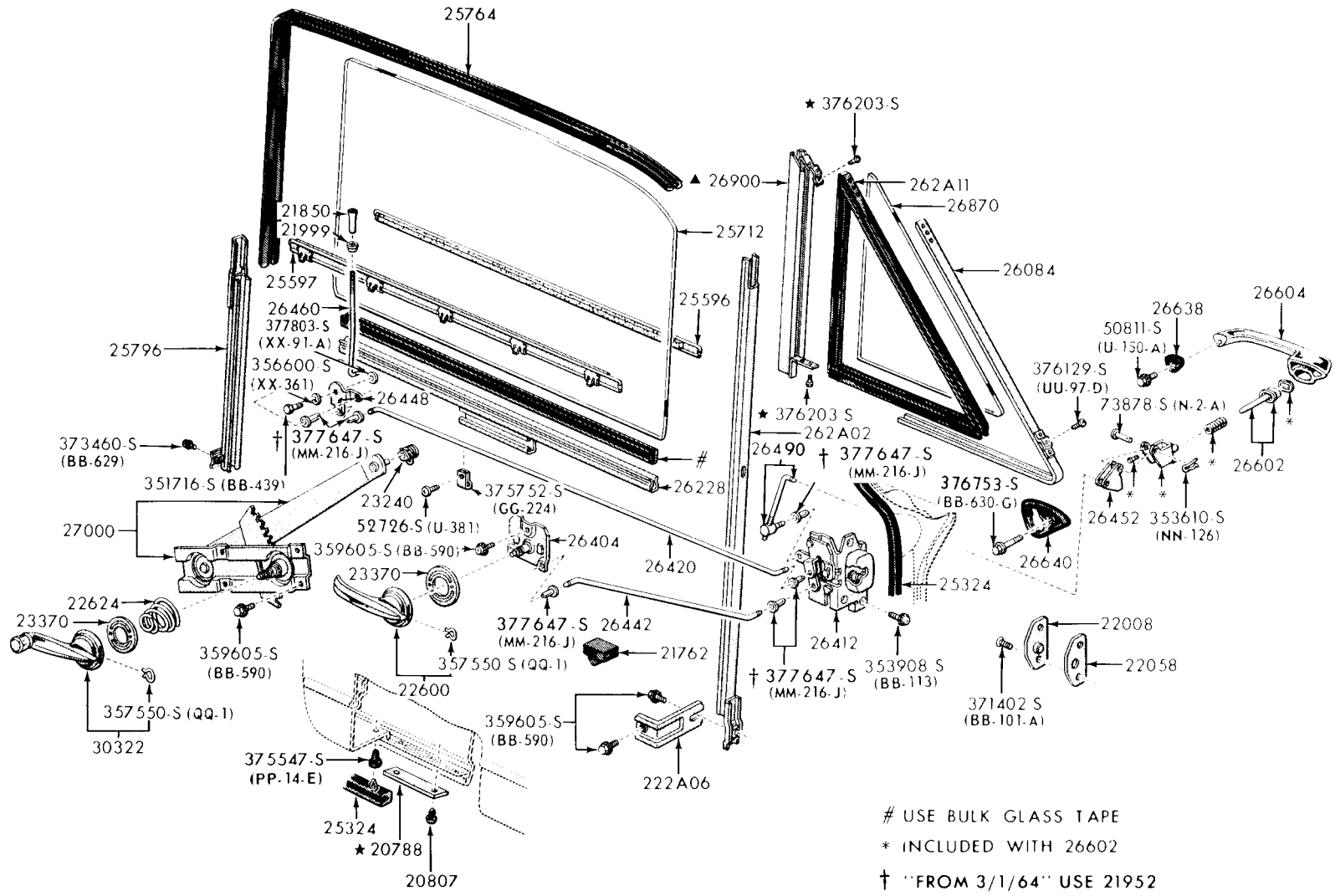


● ALSO INCLUDED WITH 25514 S
USE BULK GLASS TAPE

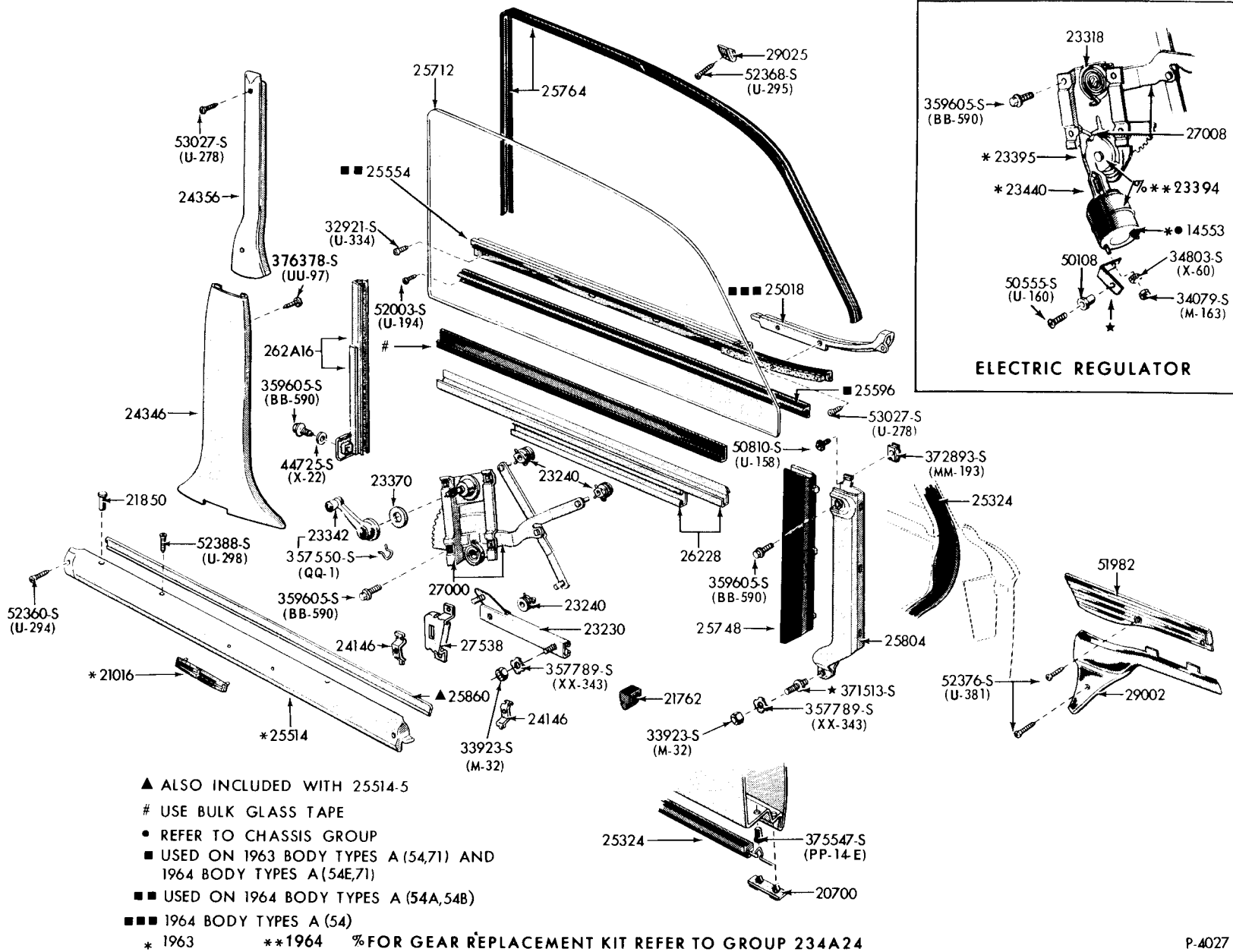
1962 REAR DOOR WINDOW PARTS-BODY TYPE A(75)

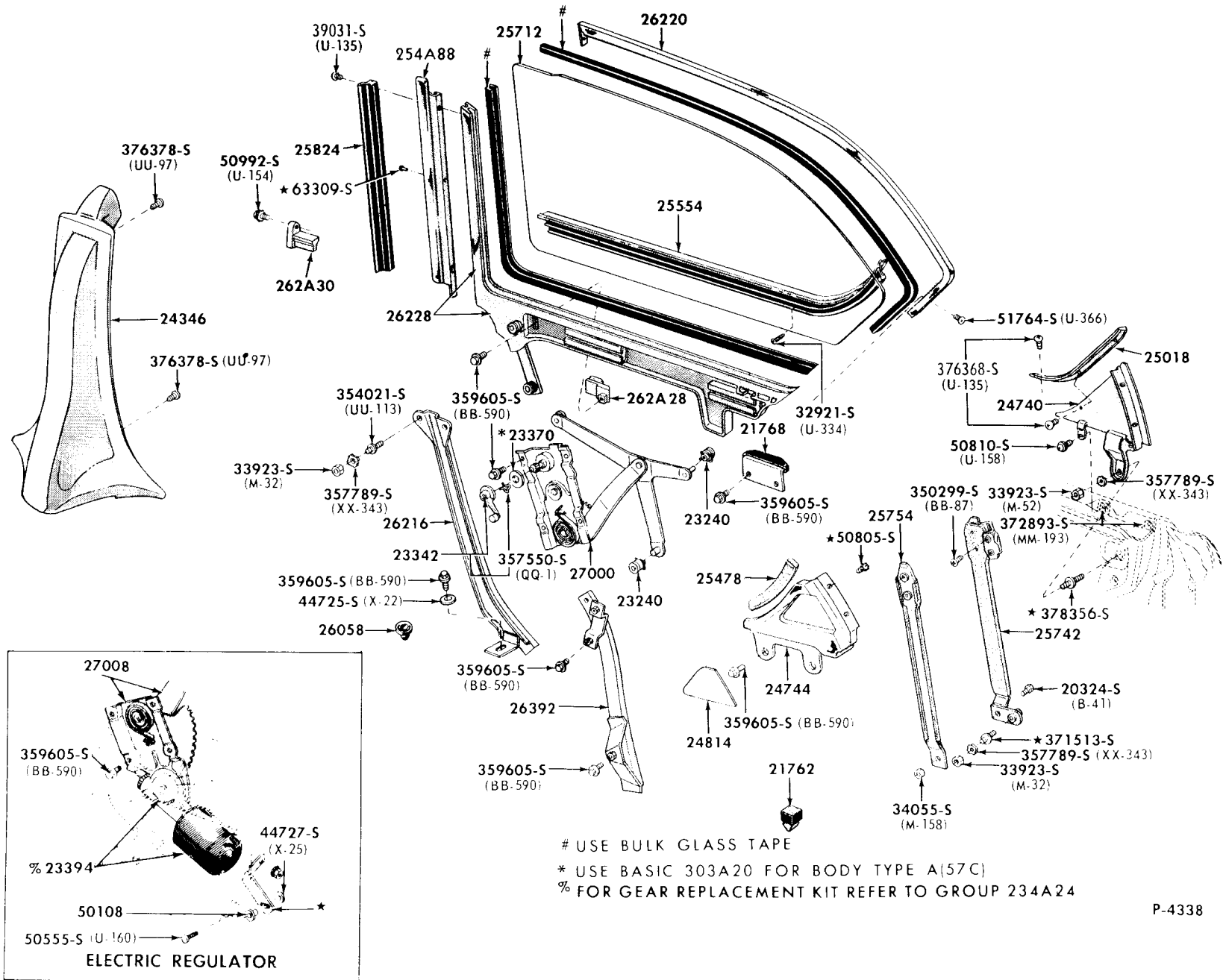


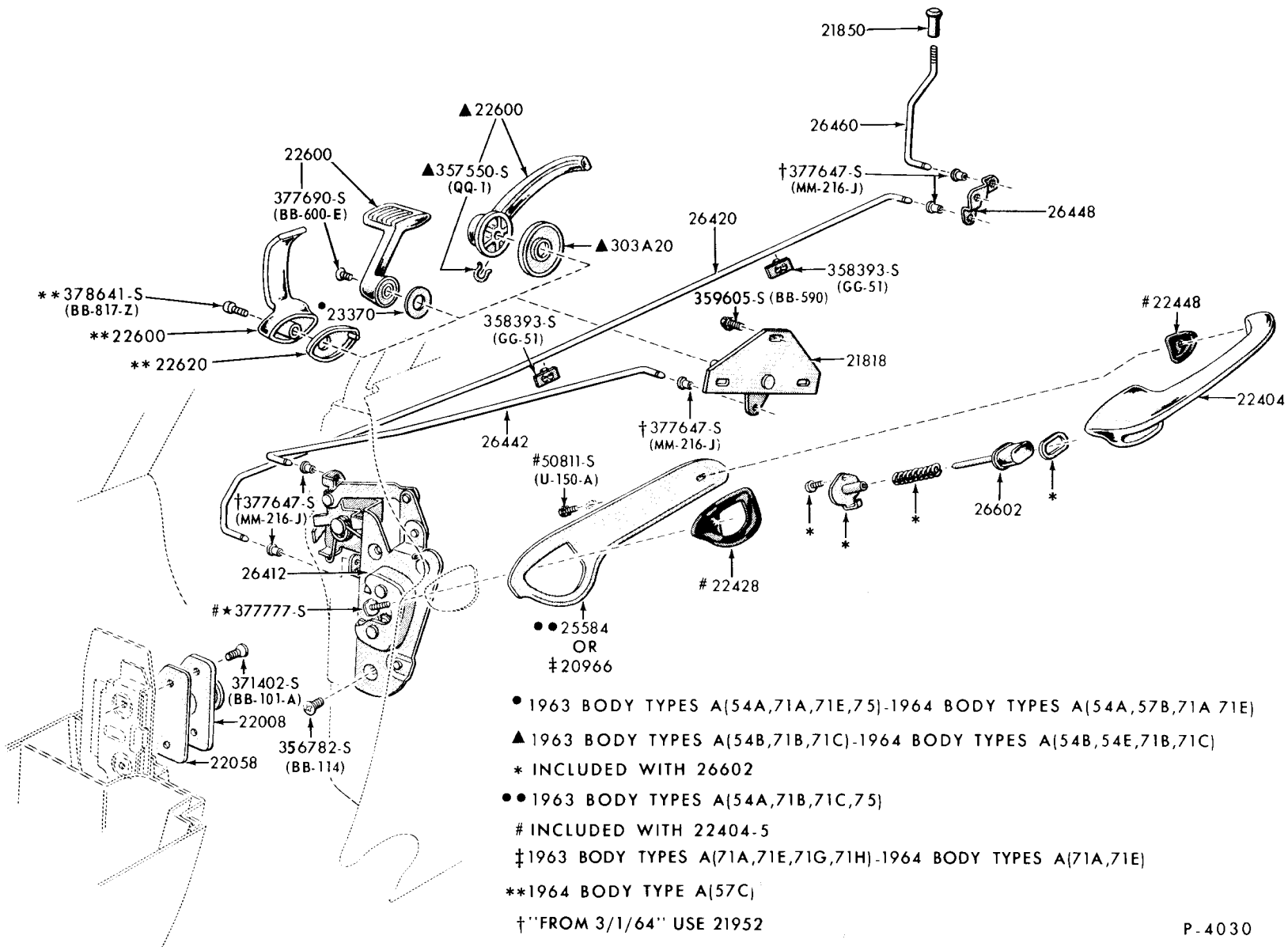
1962 / FAIRLANE REAR DOOR PARTS - BODY TYPES B(54, 71)-TYPICAL



USE BULK GLASS TAPE
 * INCLUDED WITH 26602
 † FROM 3/1/64 USE 21952
 ▲ 1962/64 ONLY







● 1963 BODY TYPES A(54A,71A,71E,75)-1964 BODY TYPES A(54A,57B,71A,71E)

▲ 1963 BODY TYPES A(54B,71B,71C)-1964 BODY TYPES A(54B,54E,71B,71C)

* INCLUDED WITH 26602

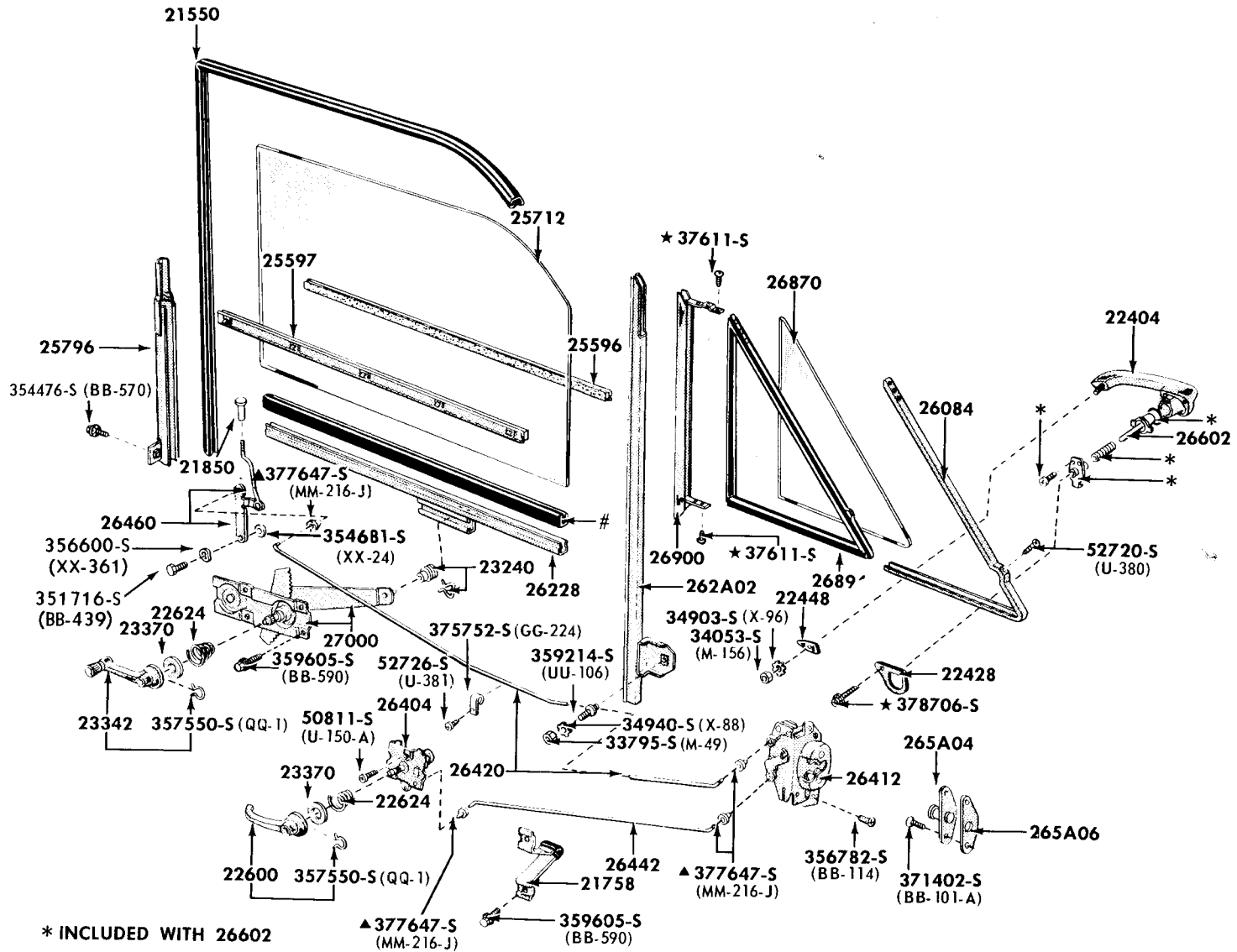
●● 1963 BODY TYPES A(54A,71B,71C,75)

INCLUDED WITH 22404-S

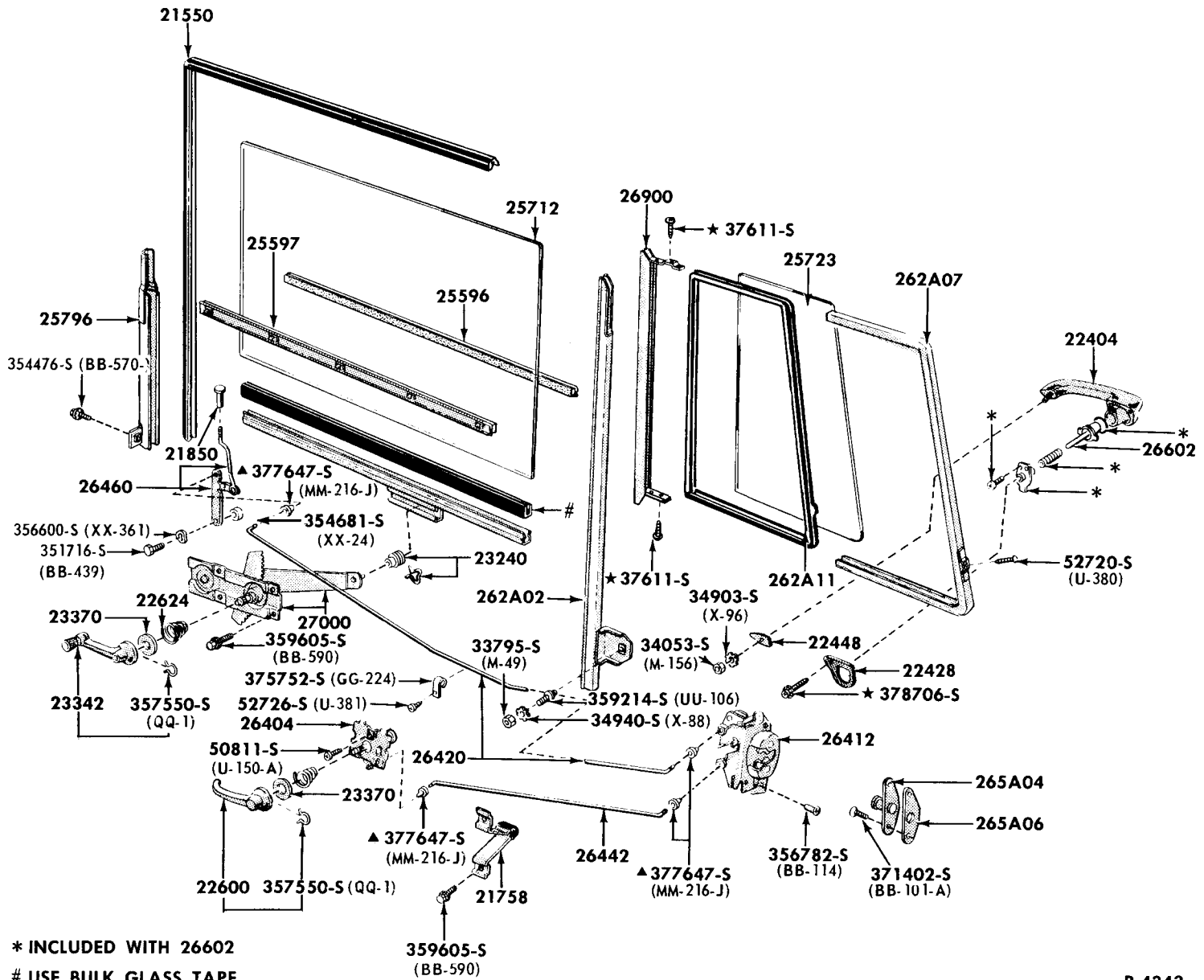
‡ 1963 BODY TYPES A(71A,71E,71G,71H)-1964 BODY TYPES A(71A,71E)

** 1964 BODY TYPE A(57C)

† "FROM 3/1/64" USE 21952

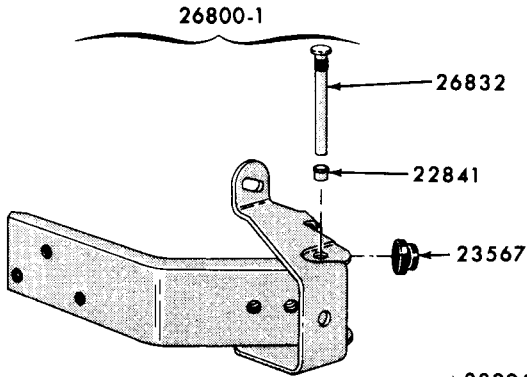


- * INCLUDED WITH 26602
- # USE BULK GLASS TAPE
- ▲ "FROM 3/1/64" USE 21952

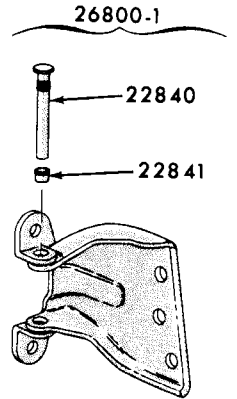


* INCLUDED WITH 26602
 # USE BULK GLASS TAPE
 ▲ "FROM 3/1/64" USE 21952

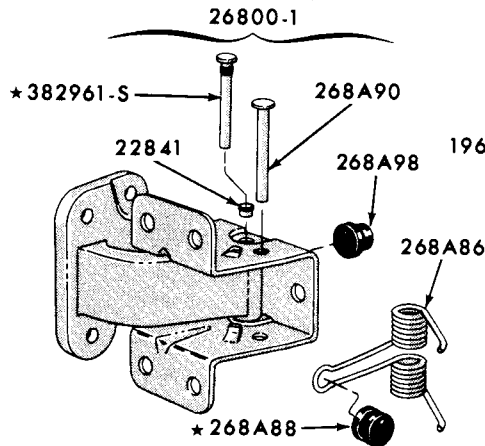
1964 / FALCON REAR DOOR PARTS - BODY TYPE X(71) - TYPICAL



1965 LINCOLN



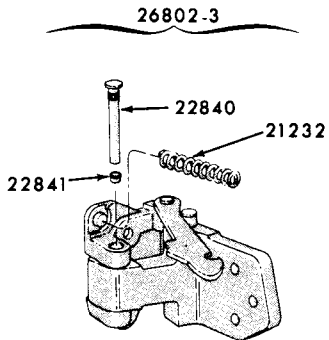
1960/FORD, FAIRLANE/TORINO,
FALCON, MERCURY AND
COMET/MONTEGO



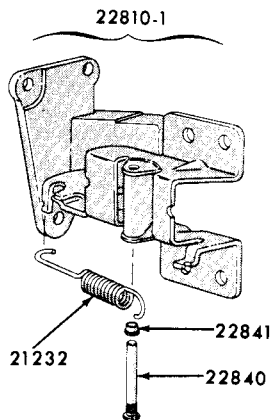
1966/THUNDERBIRD AND LINCOLN

REAR DOOR HINGE - UPPER
1960/ FAIRLANE, FALCON and FORD-TYPICAL

P-6982

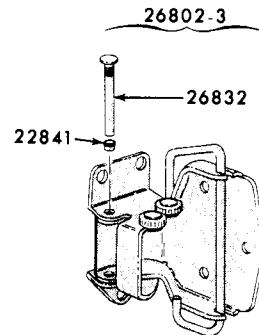


1960/63 FORD, 1965/68 FORD AND
MERCURY, 1965 FAIRLANE
1960/65 FALCON, 1965/67 COMET



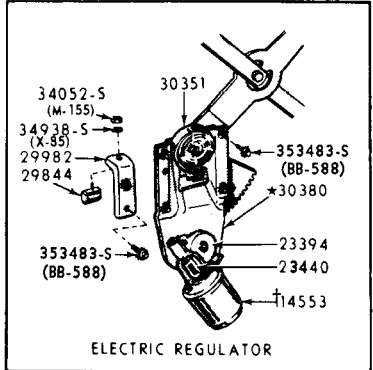
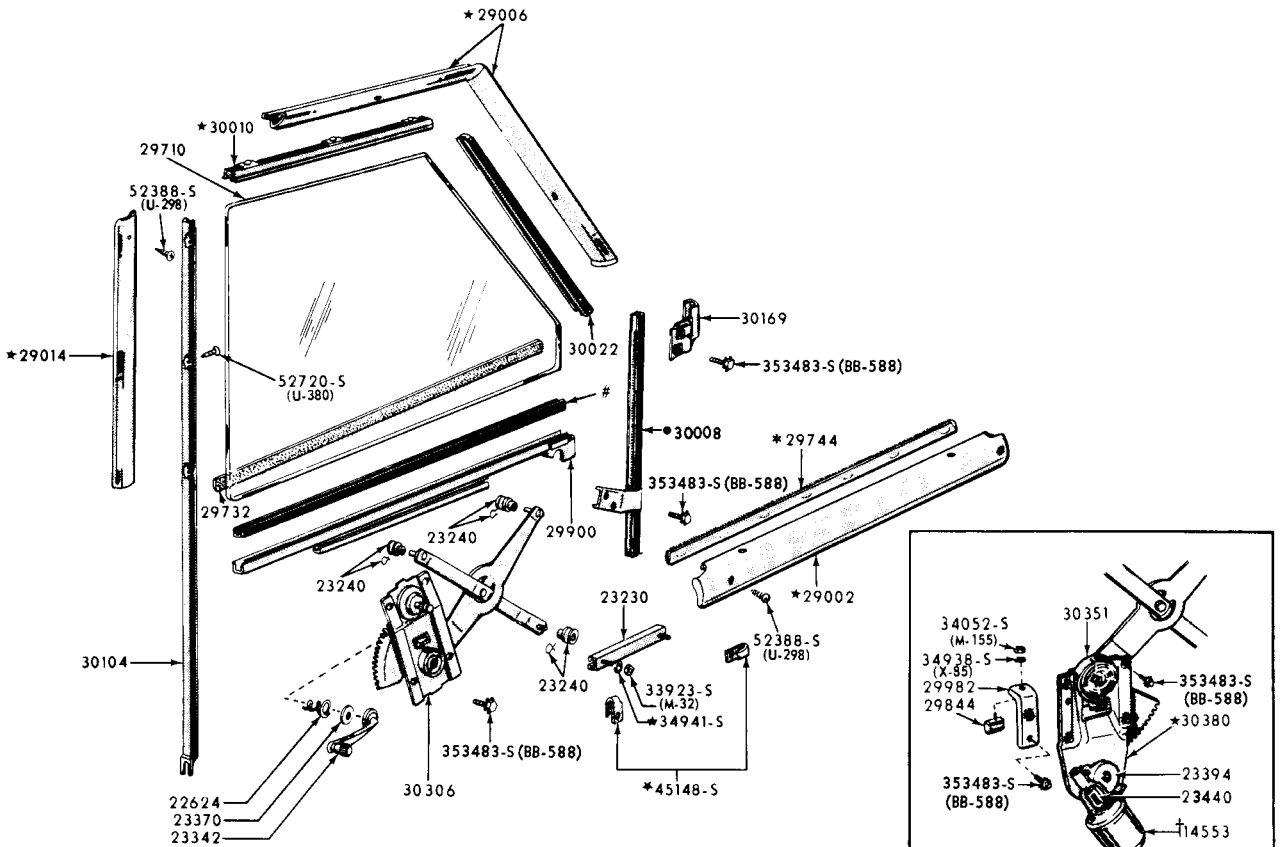
1962/64 FAIRLANE

REAR DOOR HINGE - LOWER
1960/ FAIRLANE, FALCON and FORD-TYPICAL



1964 FORD
1969 FORD AND MERCURY,
1960/FAIRLANE/TORINO,
FALCON AND THUNDERBIRD
1968/COMET/MONTEGO,
1965/LINCOLN

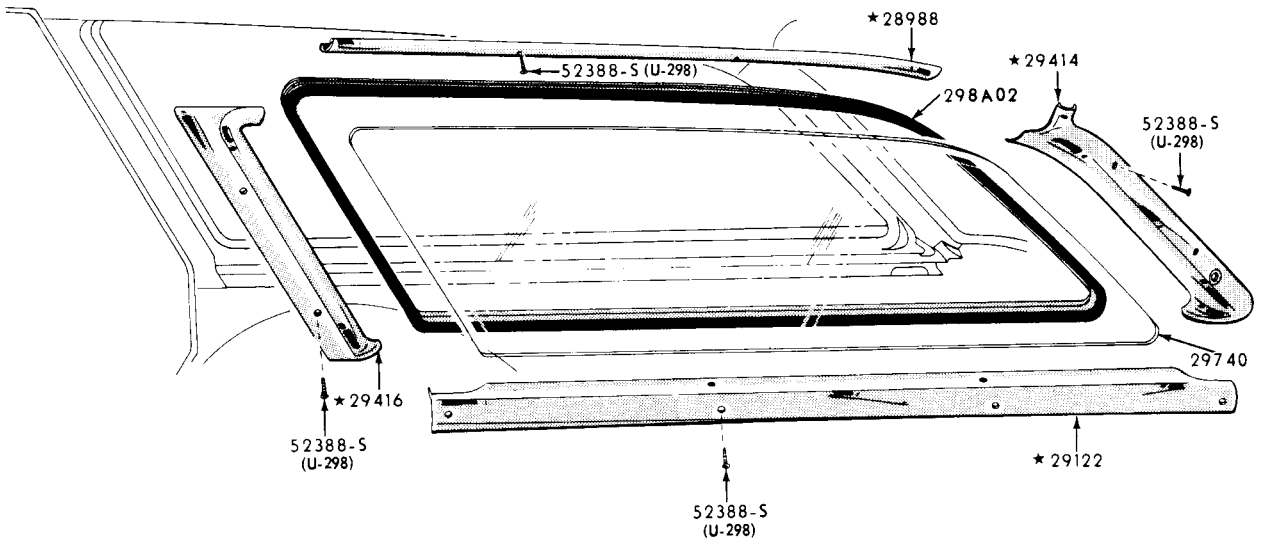
P-6983



USE BULK GLASS TAPE
 * ALSO INCLUDED IN 29002-3
 ● 1961 ONLY
 † REFER TO GROUP IN CHASSIS SECTION

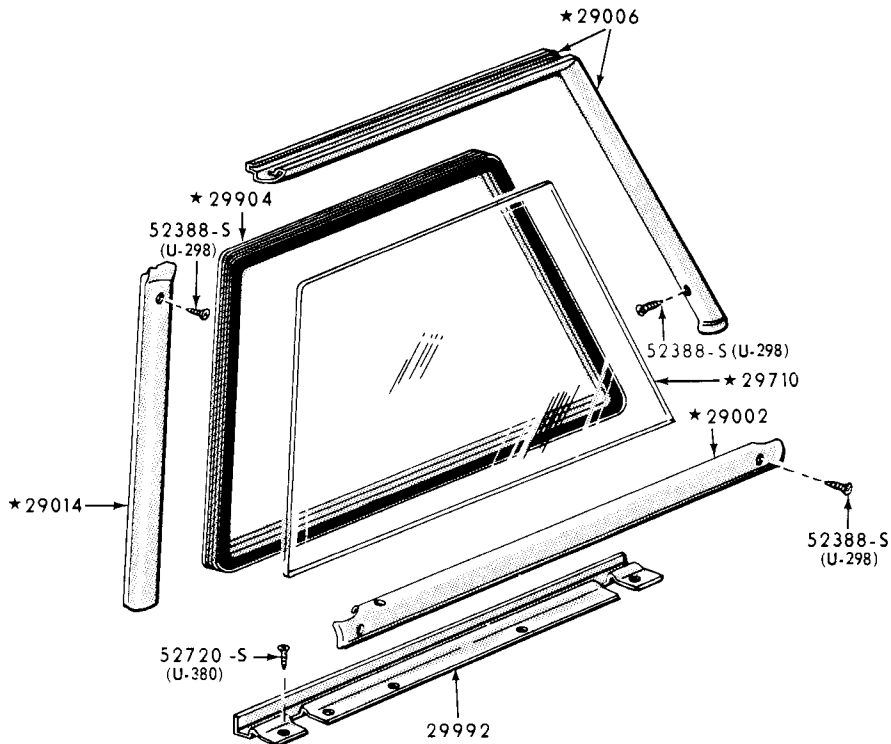
P-3033

1960/61 FRONT QUARTER WINDOW PARTS -BODY TYPE A(59C)

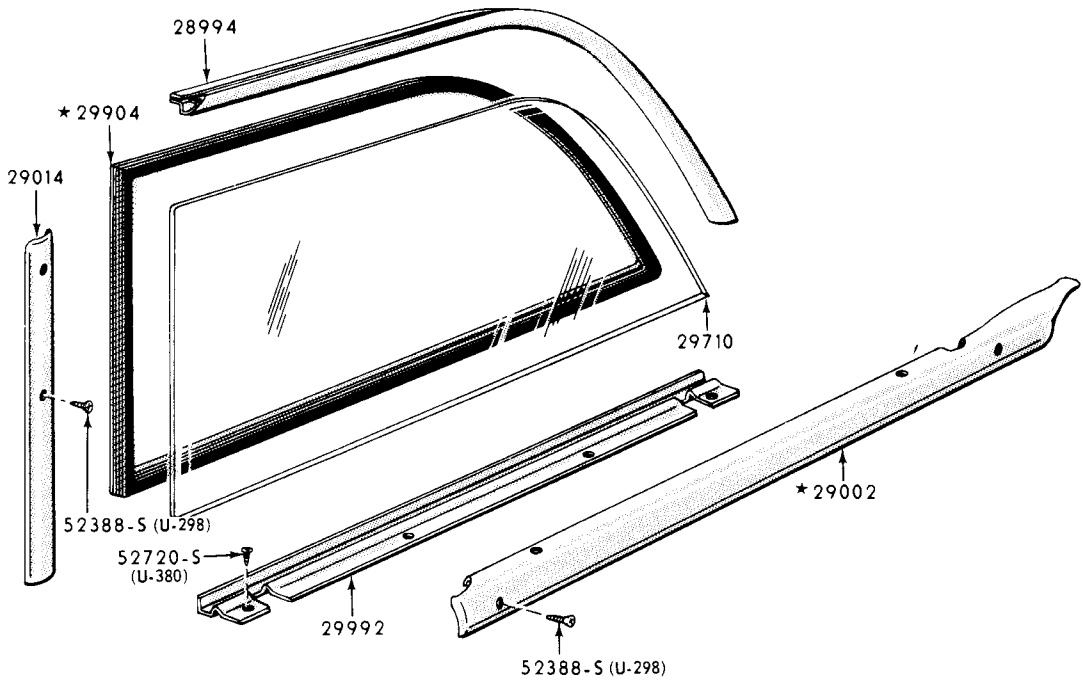


P-3035

1960 REAR QUARTER WINDOW PARTS -BODY TYPES A(59,71)

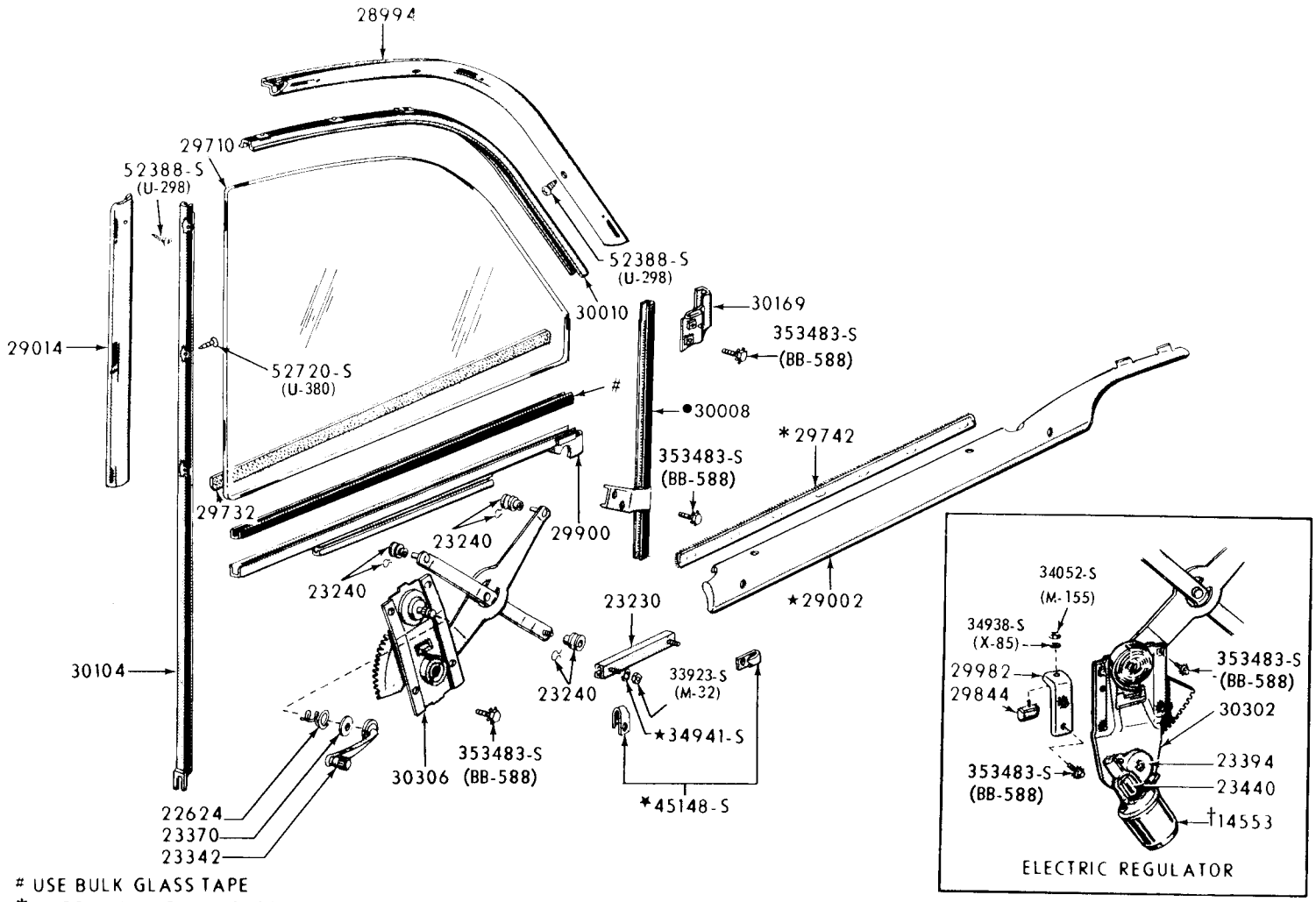


BODY TYPE 59E



BODY TYPES 64G, 64H

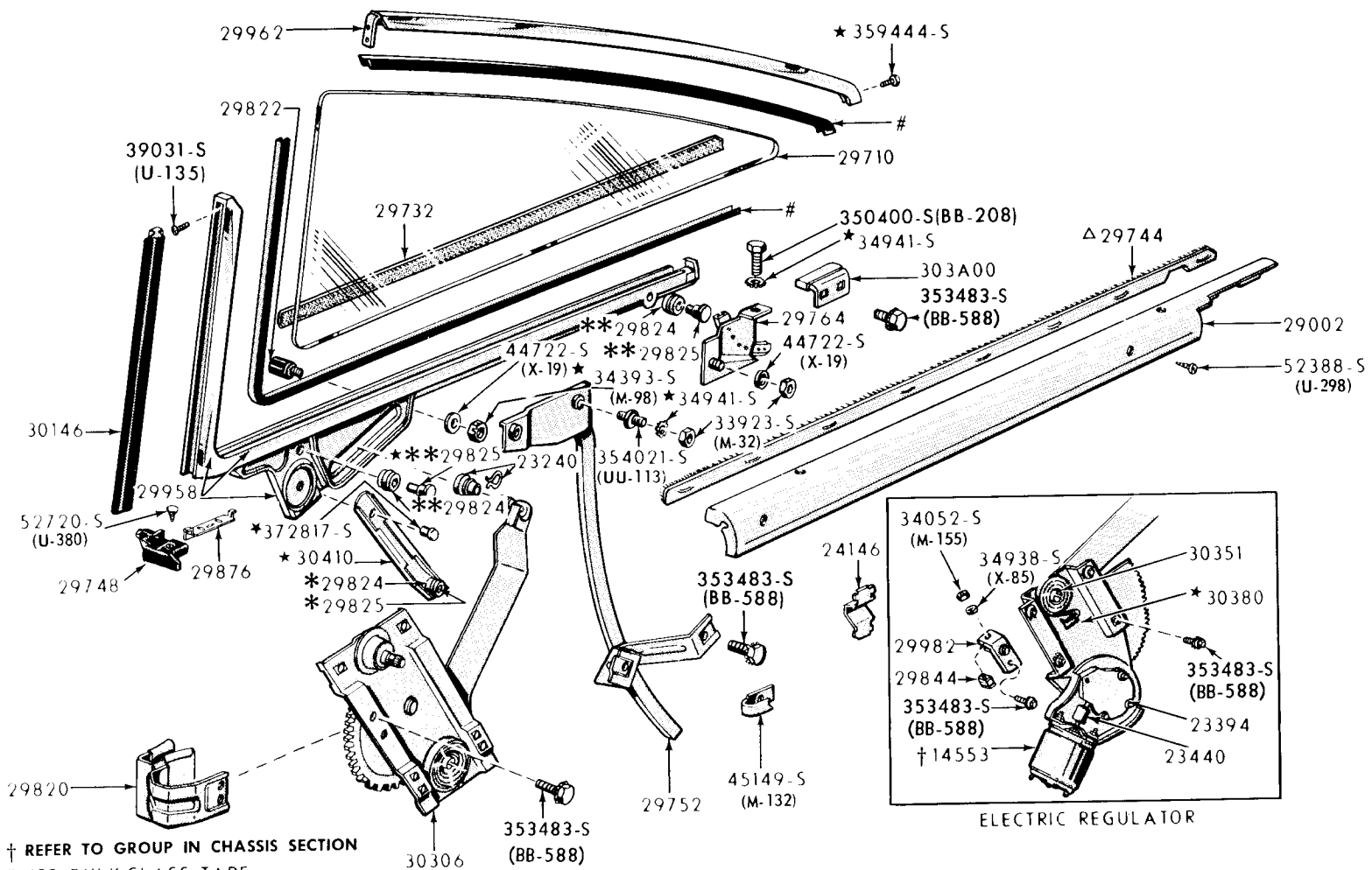
P-3031



1960/61 QUARTER WINDOW PARTS - BODY TYPES A(62A,64A,64F)

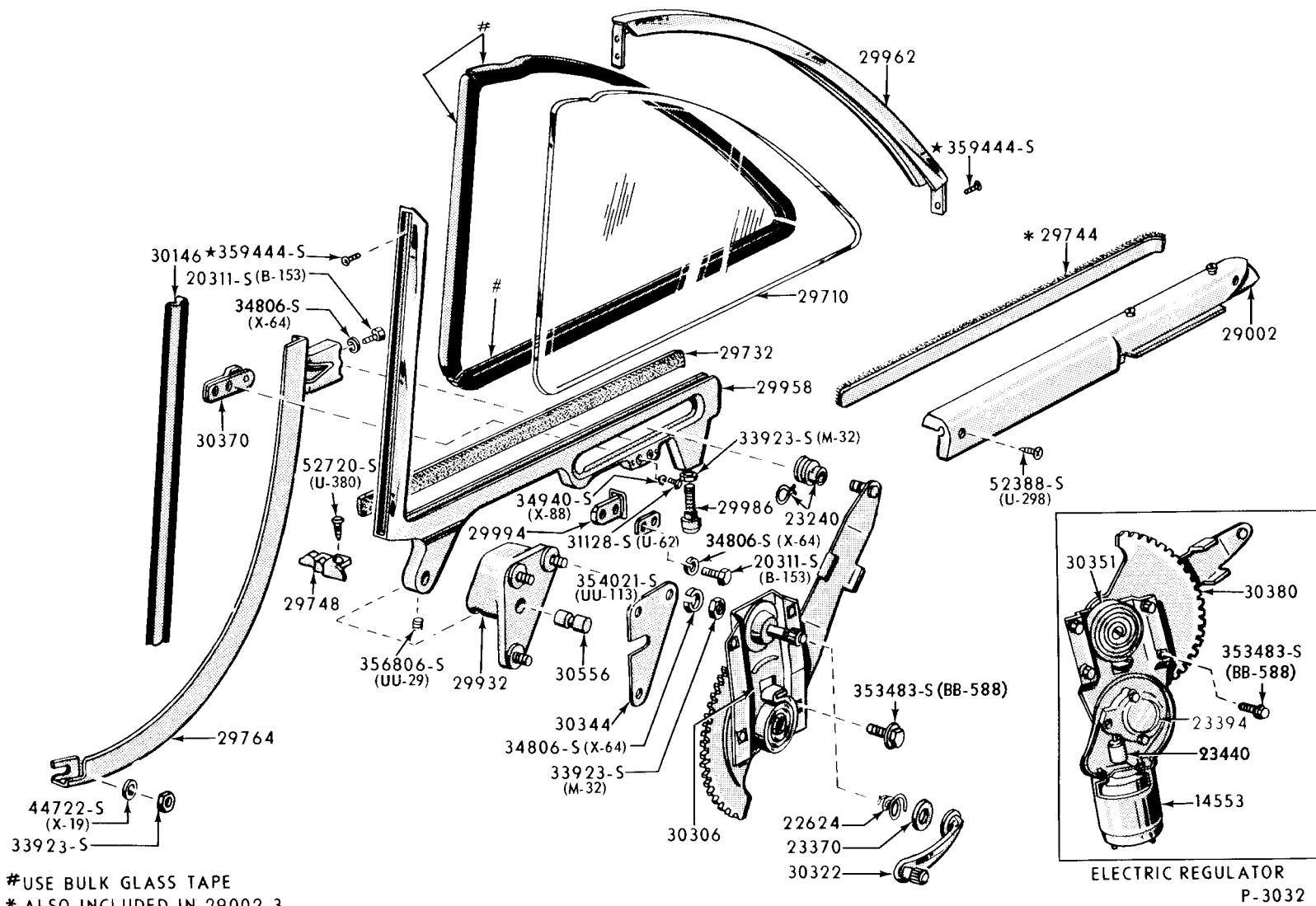
- # USE BULK GLASS TAPE
- * ALSO INCLUDED IN 29002-3
- ▲ 1960 ONLY
- 1961 ONLY
- † REFER TO GROUP IN CHASSIS SECTION

P-3030

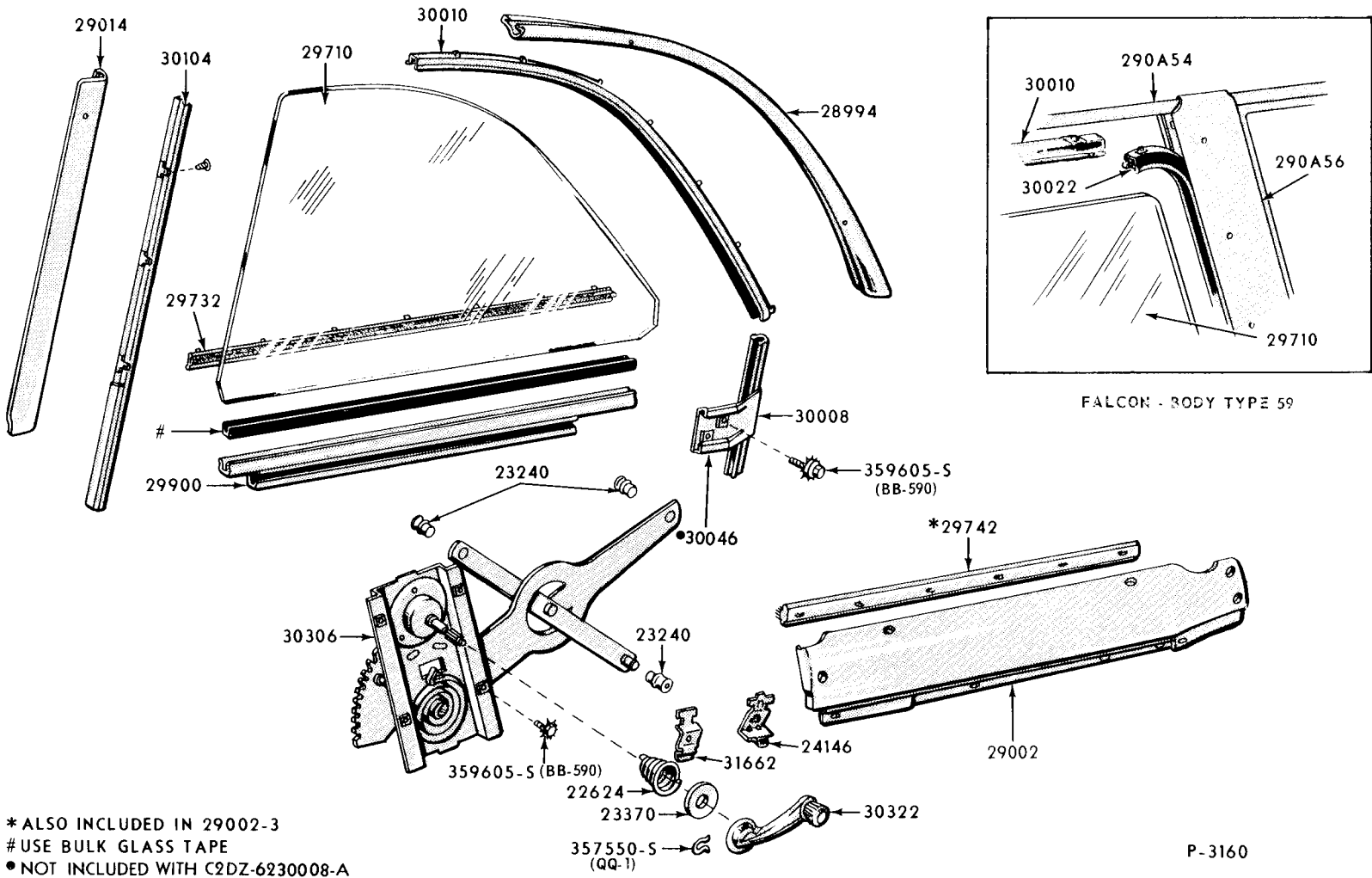


† REFER TO GROUP IN CHASSIS SECTION
 # USE BULK GLASS TAPE
 * ALSO INCLUDED IN 30410
 ** ALSO INCLUDED IN 29958-9
 Δ ALSO INCLUDED IN 29002-3

1960/61 QUARTER WINDOW PARTS-BODY TYPE A(78B)-TYPICAL



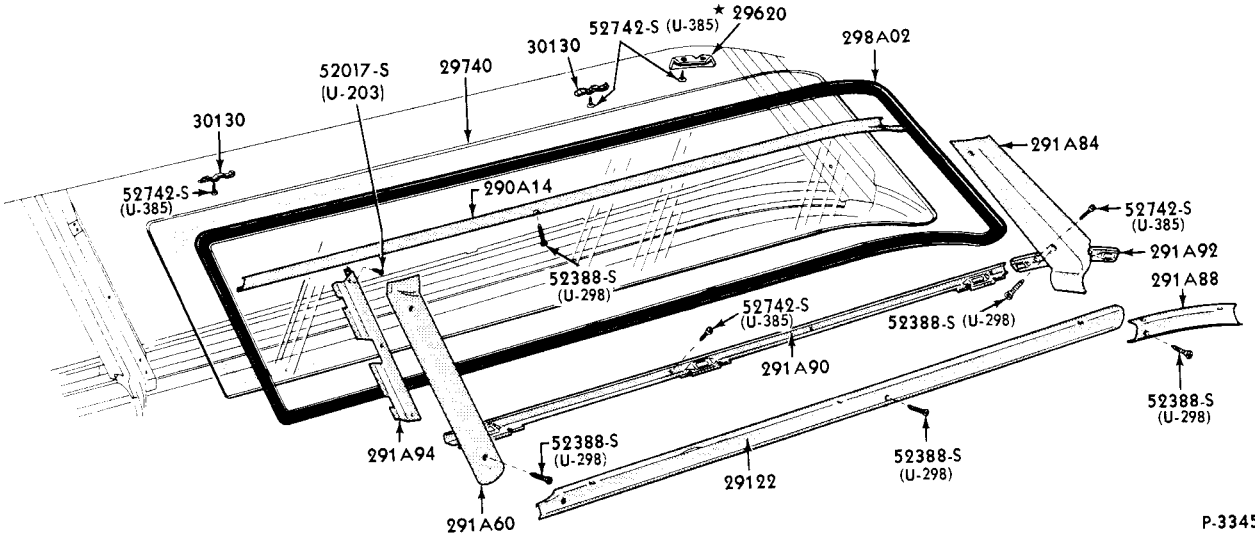
1960 / FALCON QUARTER WINDOW PARTS-BODY TYPES X(59A, 62, 64)-TYPICAL



FALCON - BODY TYPE 59

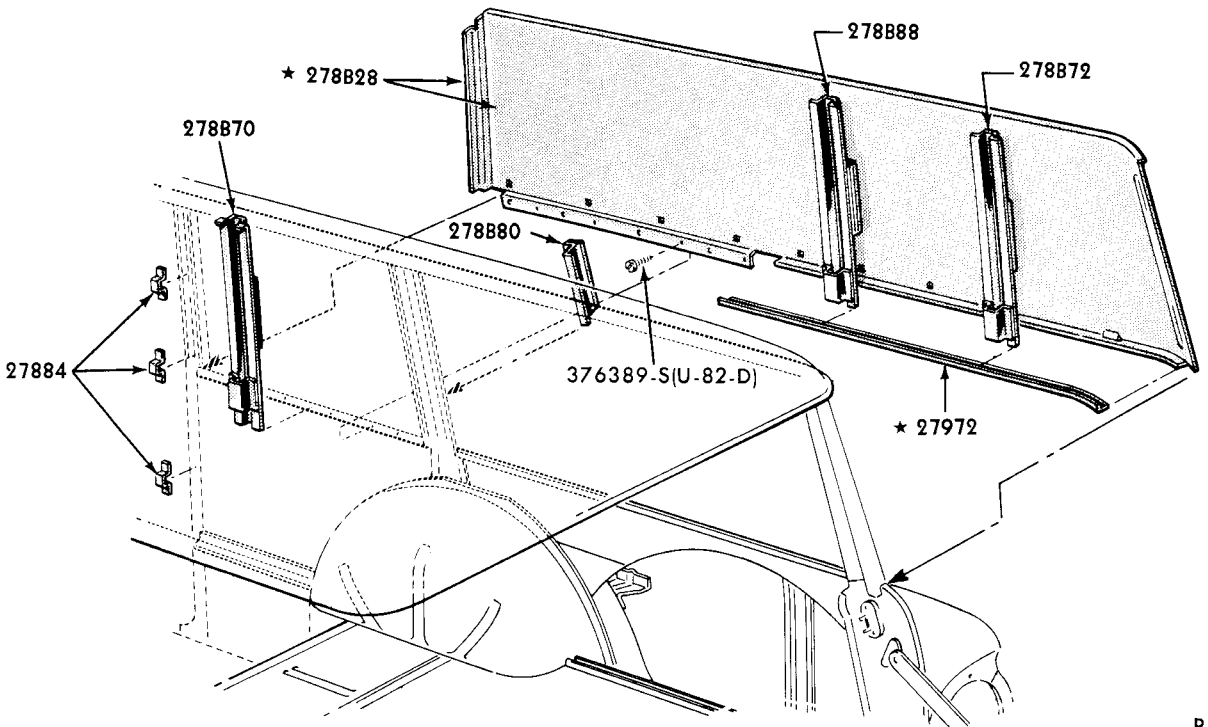
- * ALSO INCLUDED IN 29002-3
- # USE BULK GLASS TAPE
- NOT INCLUDED WITH C2DZ-6230008-A

P-3160



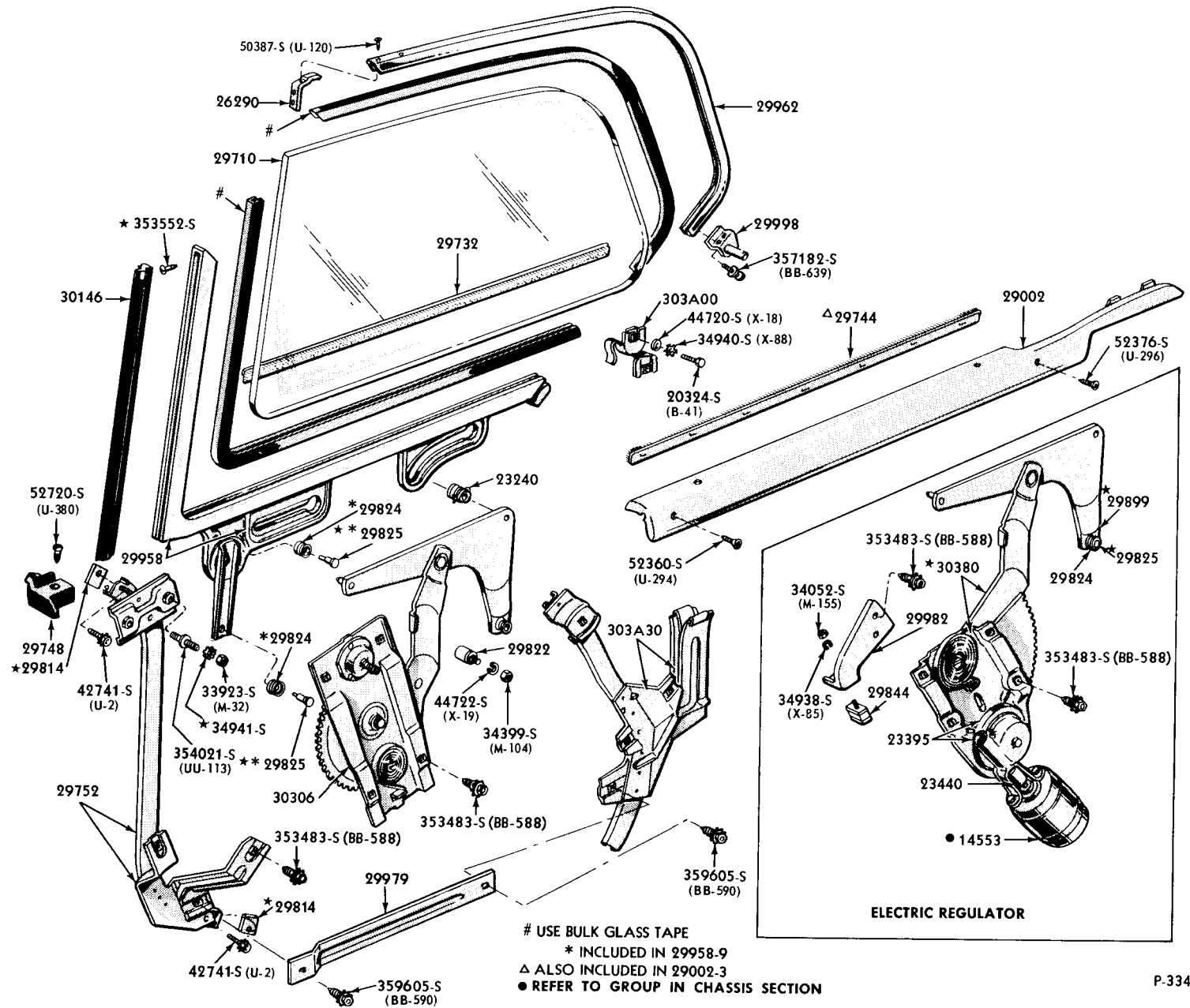
P-3345

1961/64 REAR QUARTER WINDOW PARTS - BODY TYPES A(59, 71)-TYPICAL

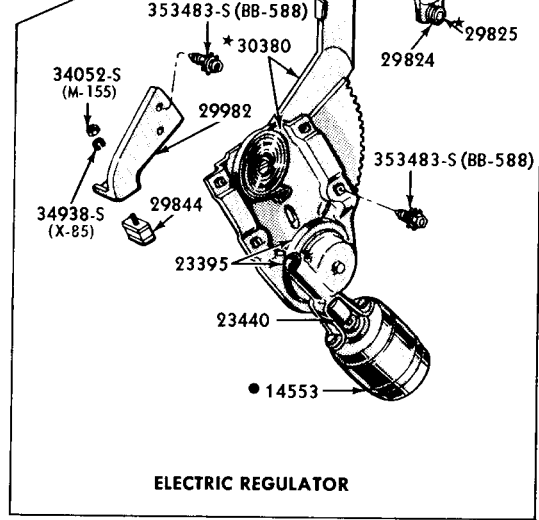


P-3593

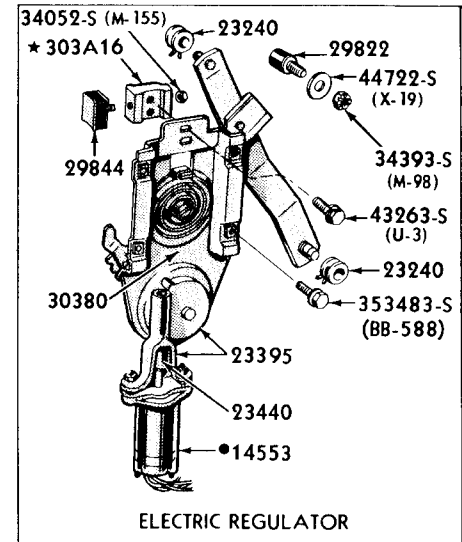
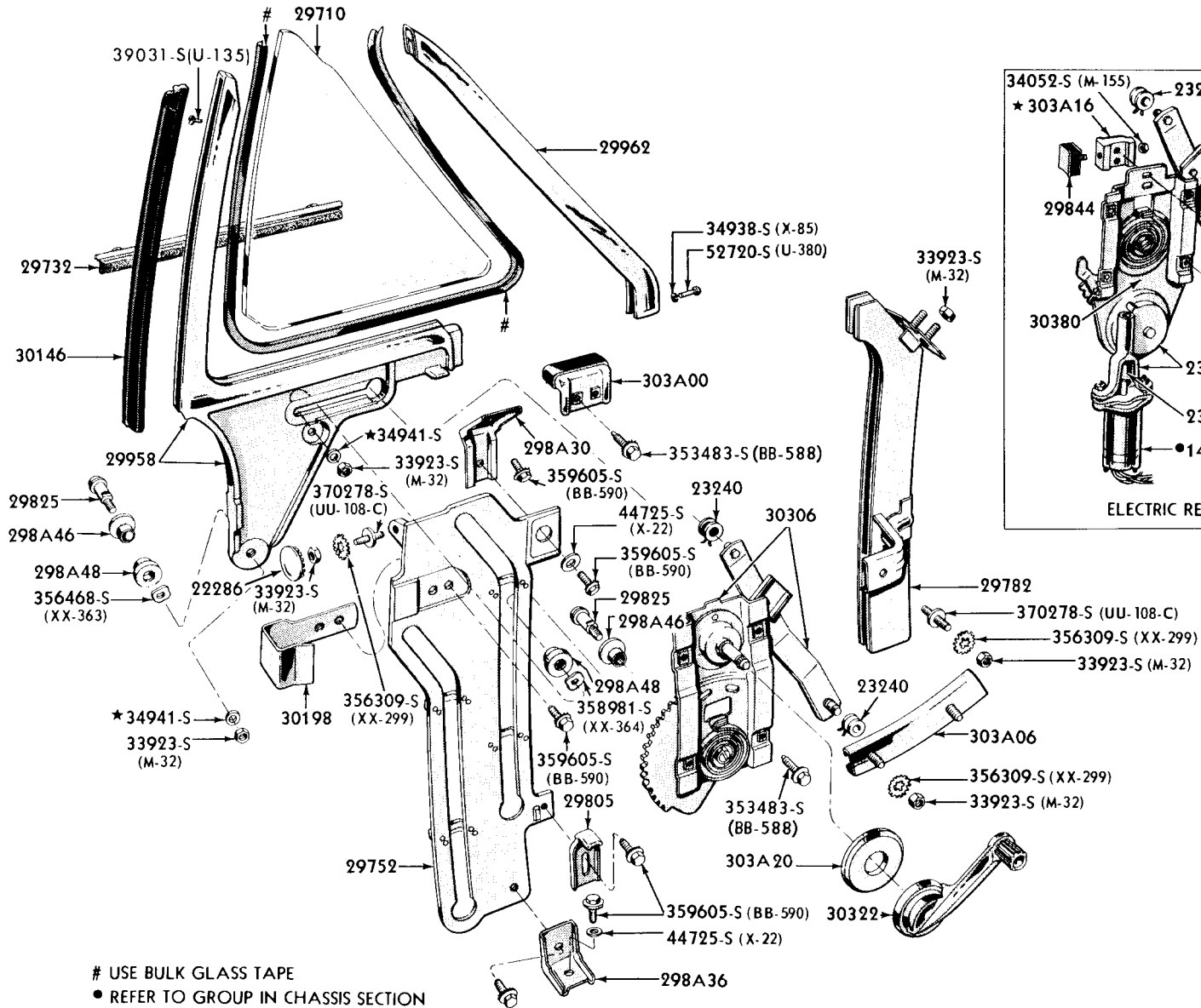
1961 QUARTER WINDOW & RELATED PARTS - BODY TYPE A (65A)



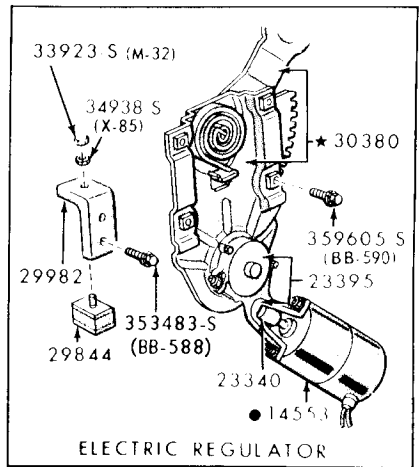
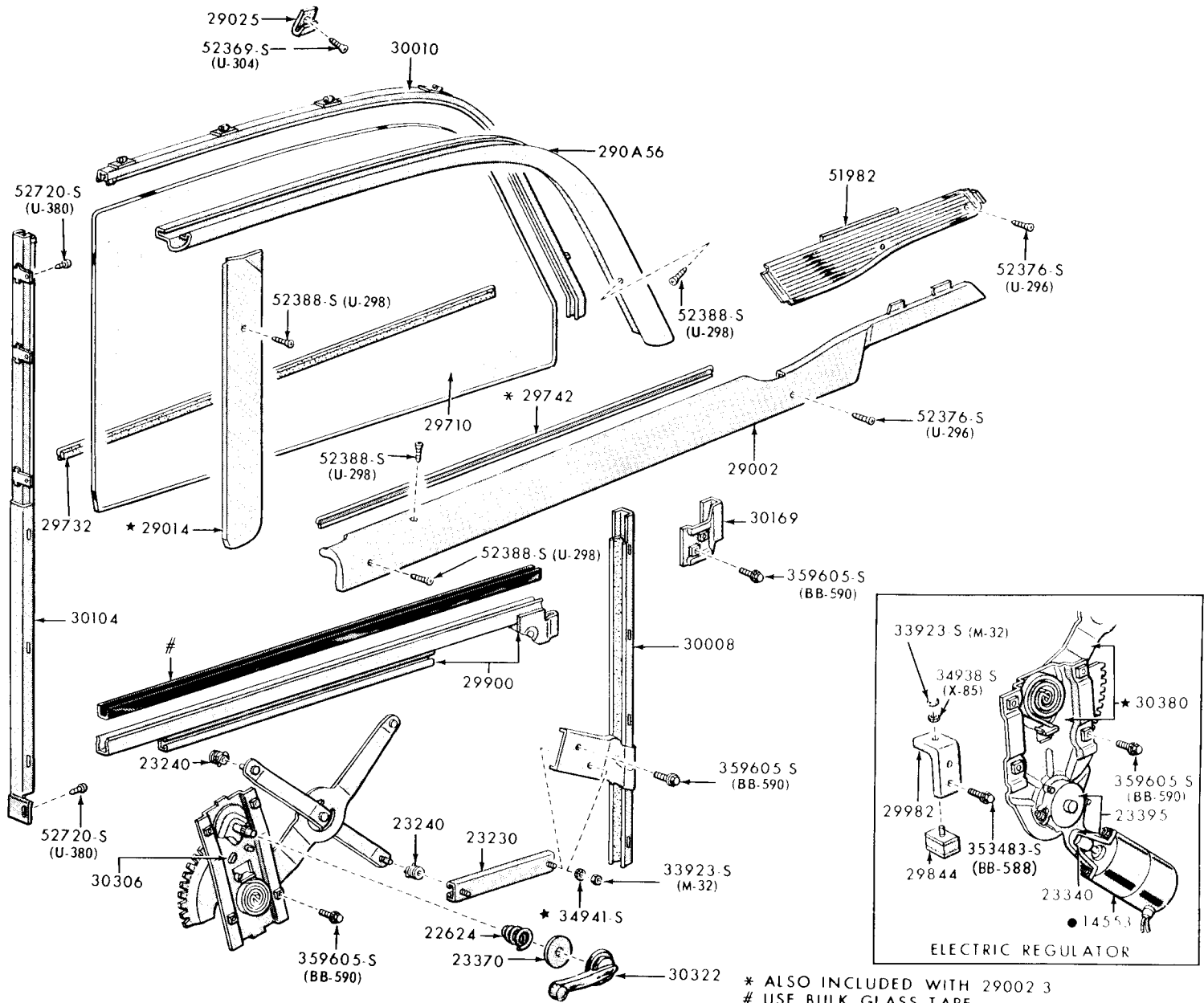
USE BULK GLASS TAPE
 * INCLUDED IN 29958-9
 Δ ALSO INCLUDED IN 29002-3
 ● REFER TO GROUP IN CHASSIS SECTION



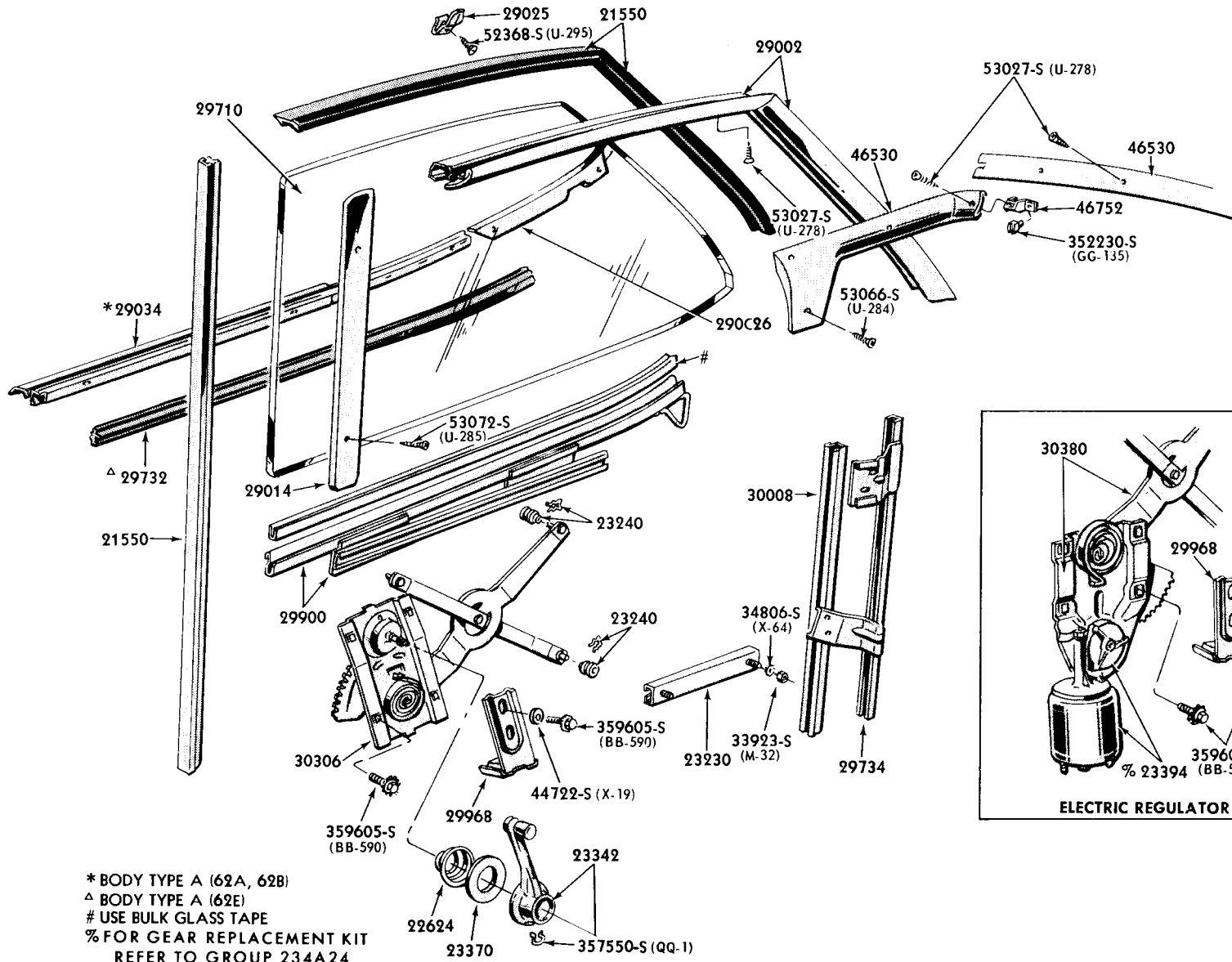
ELECTRIC REGULATOR



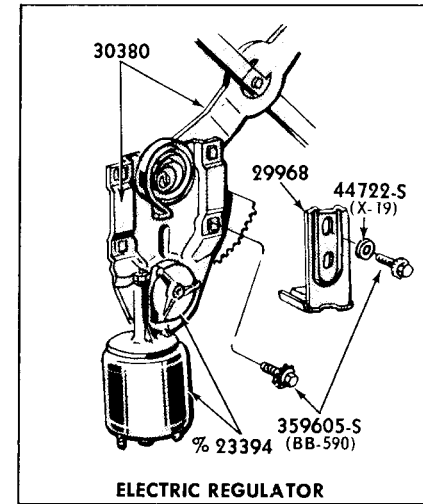
1962/63 QUARTER WINDOW & RELATED PARTS - BODY TYPE A (62)



- * ALSO INCLUDED WITH 29002 3
- # USE BULK GLASS TAPE
- REFER TO GROUP IN CHASSIS SECTION

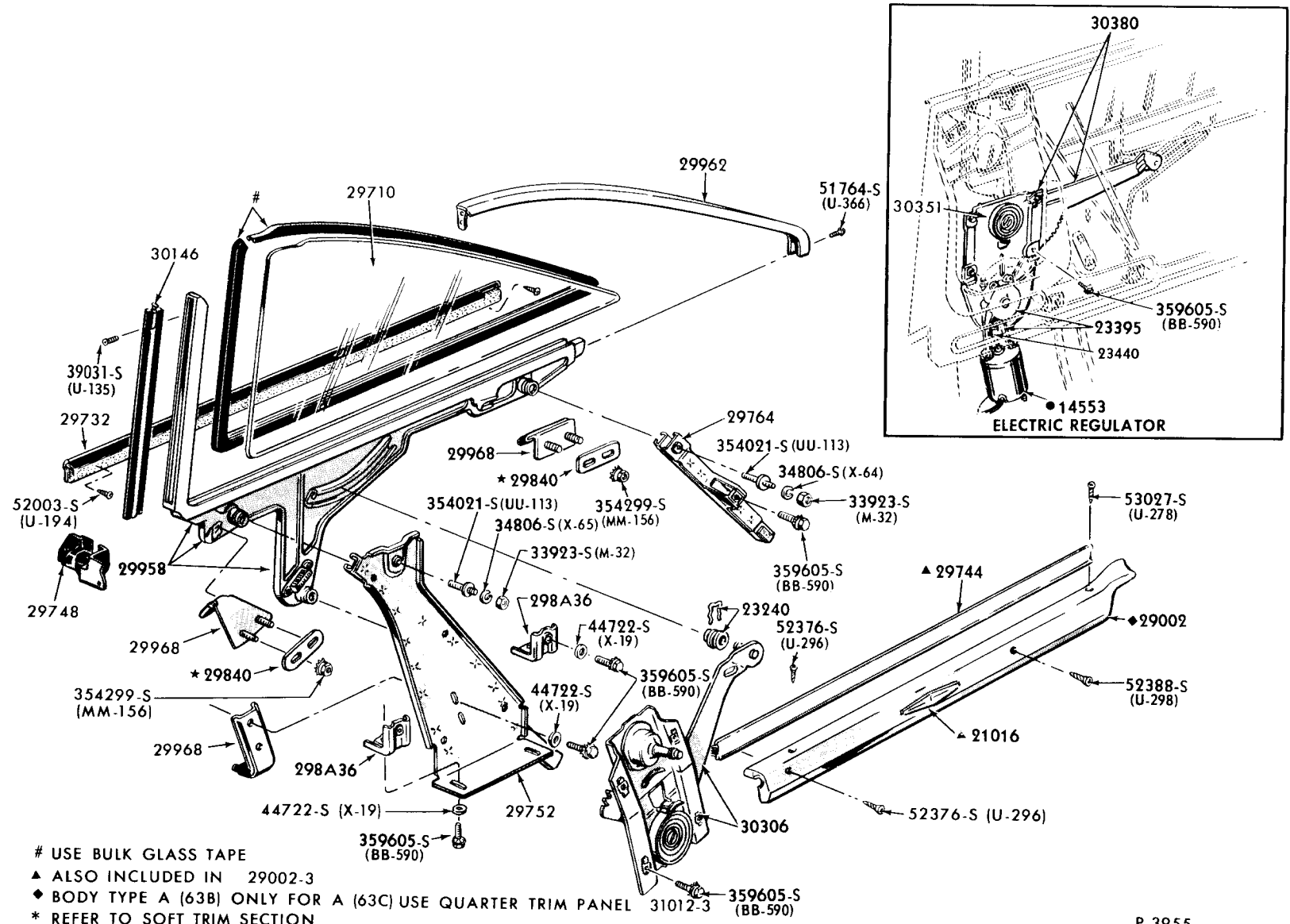


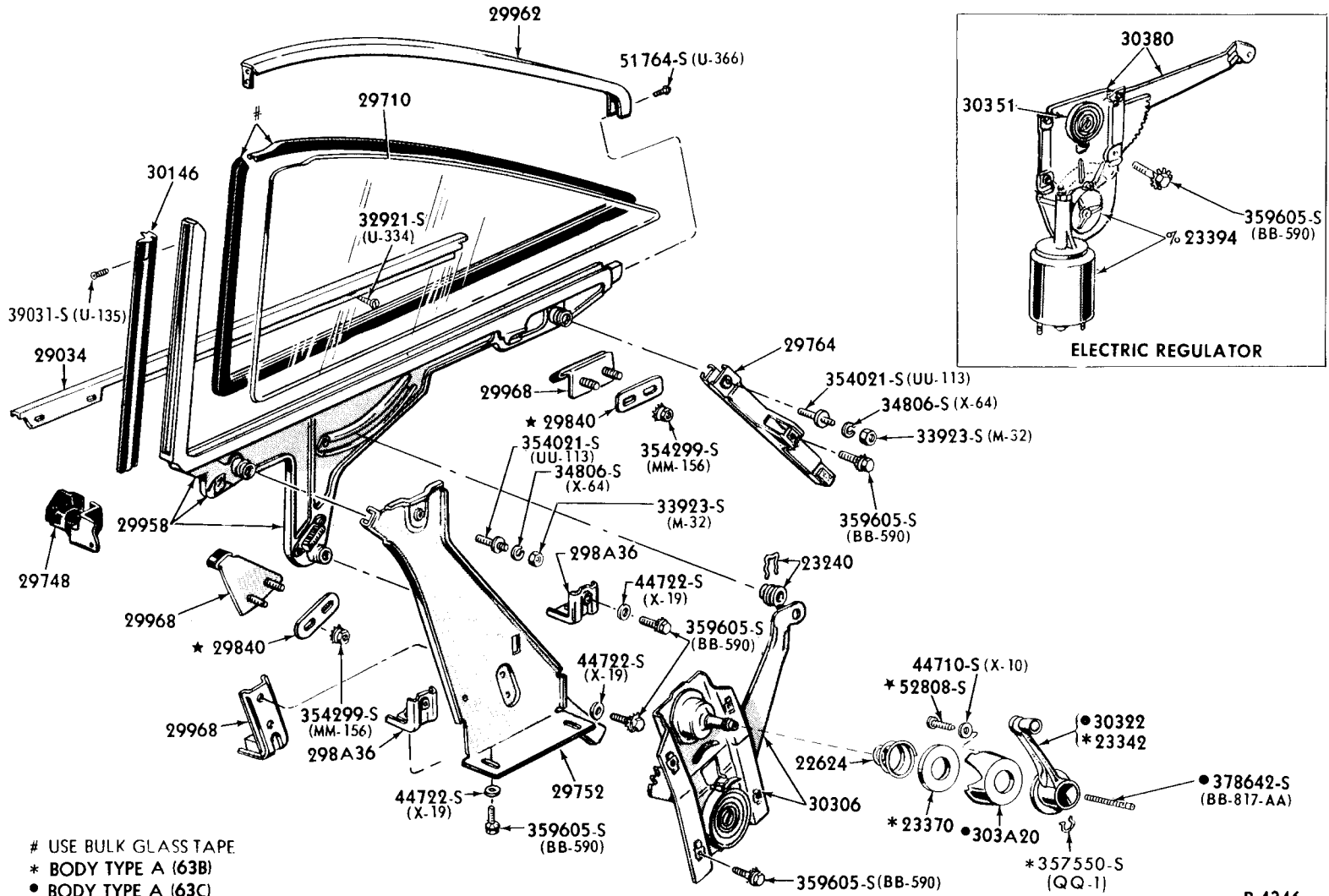
* BODY TYPE A (62A, 62B)
 Δ BODY TYPE A (62E)
 # USE BULK GLASS TAPE
 % FOR GEAR REPLACEMENT KIT
 REFER TO GROUP 234A24



P-4345

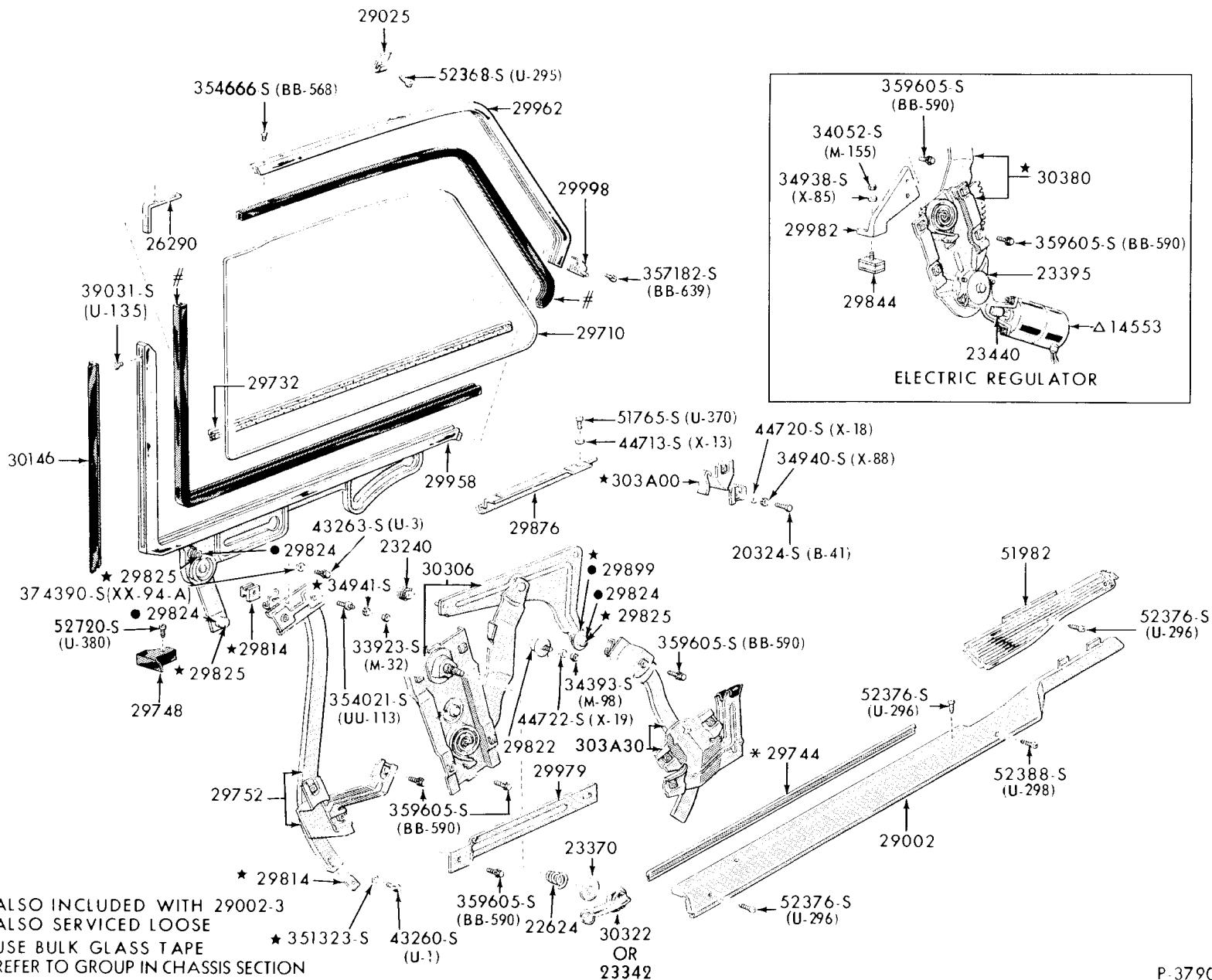
1963 QUARTER WINDOW & RELATED PARTS - BODY TYPE A(63)

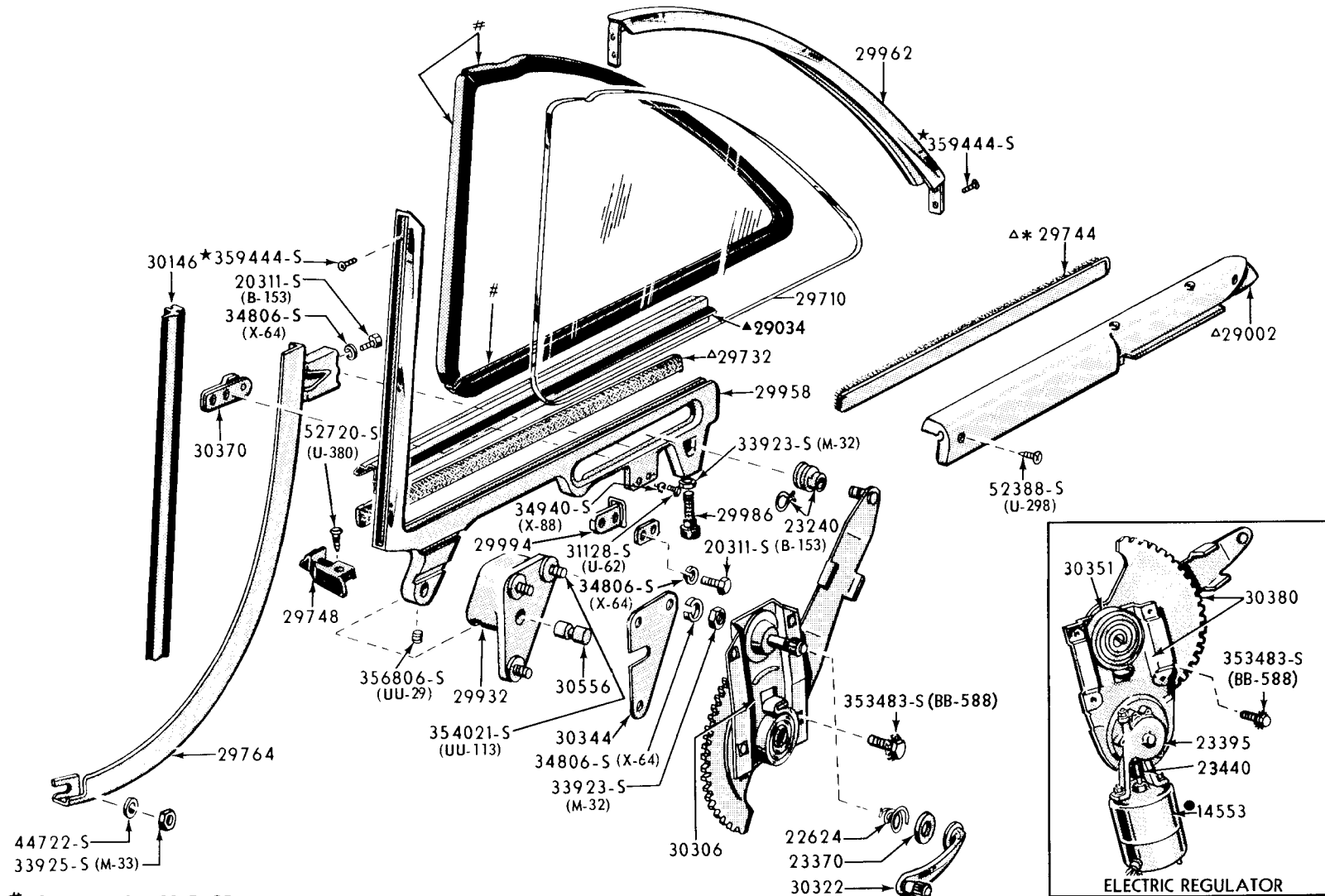




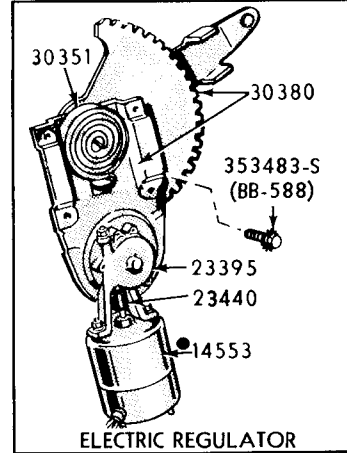
P-4346

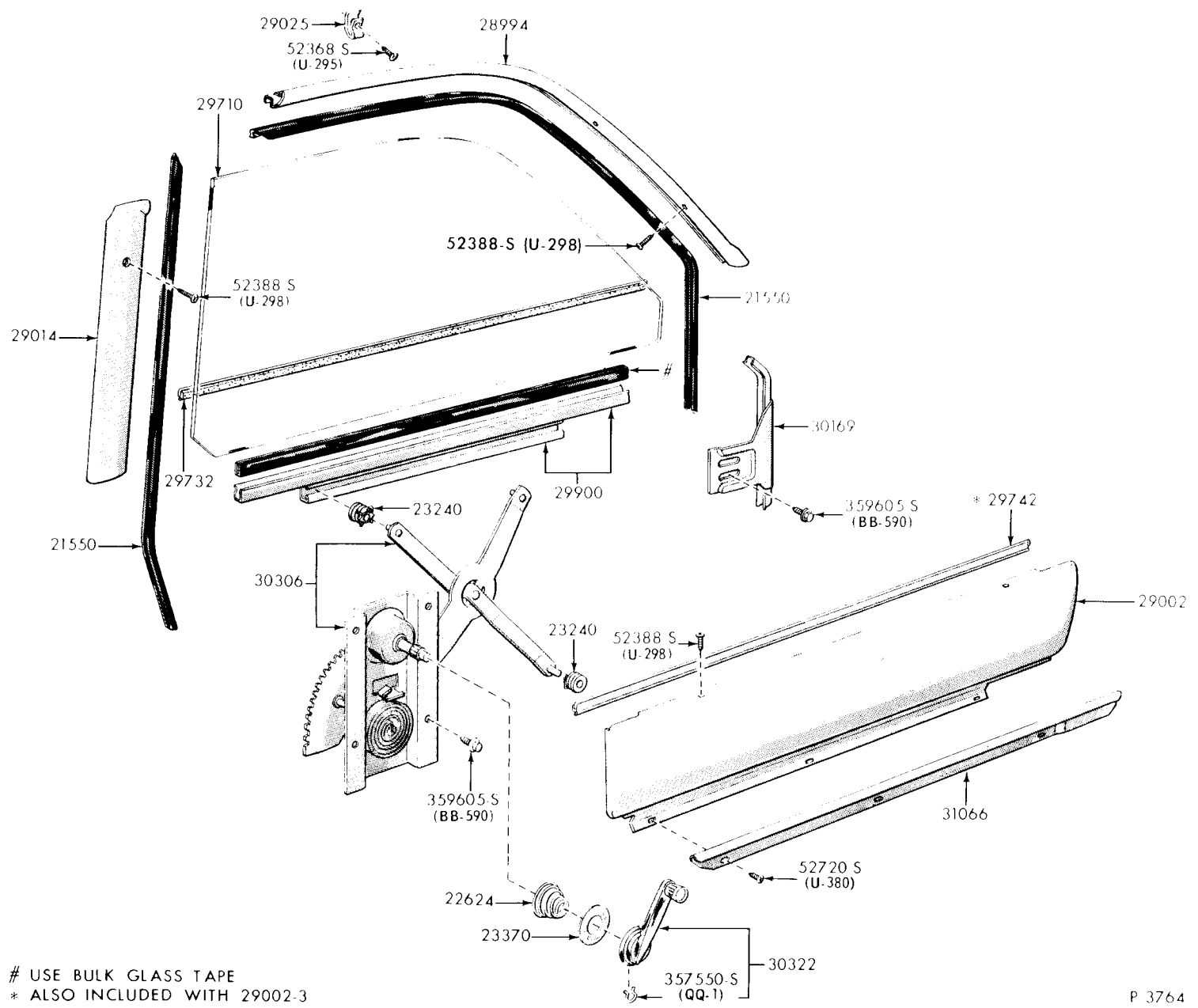
1962/63 QUARTER WINDOW & RELATED PARTS-BODY TYPE A(65) - TYPICAL





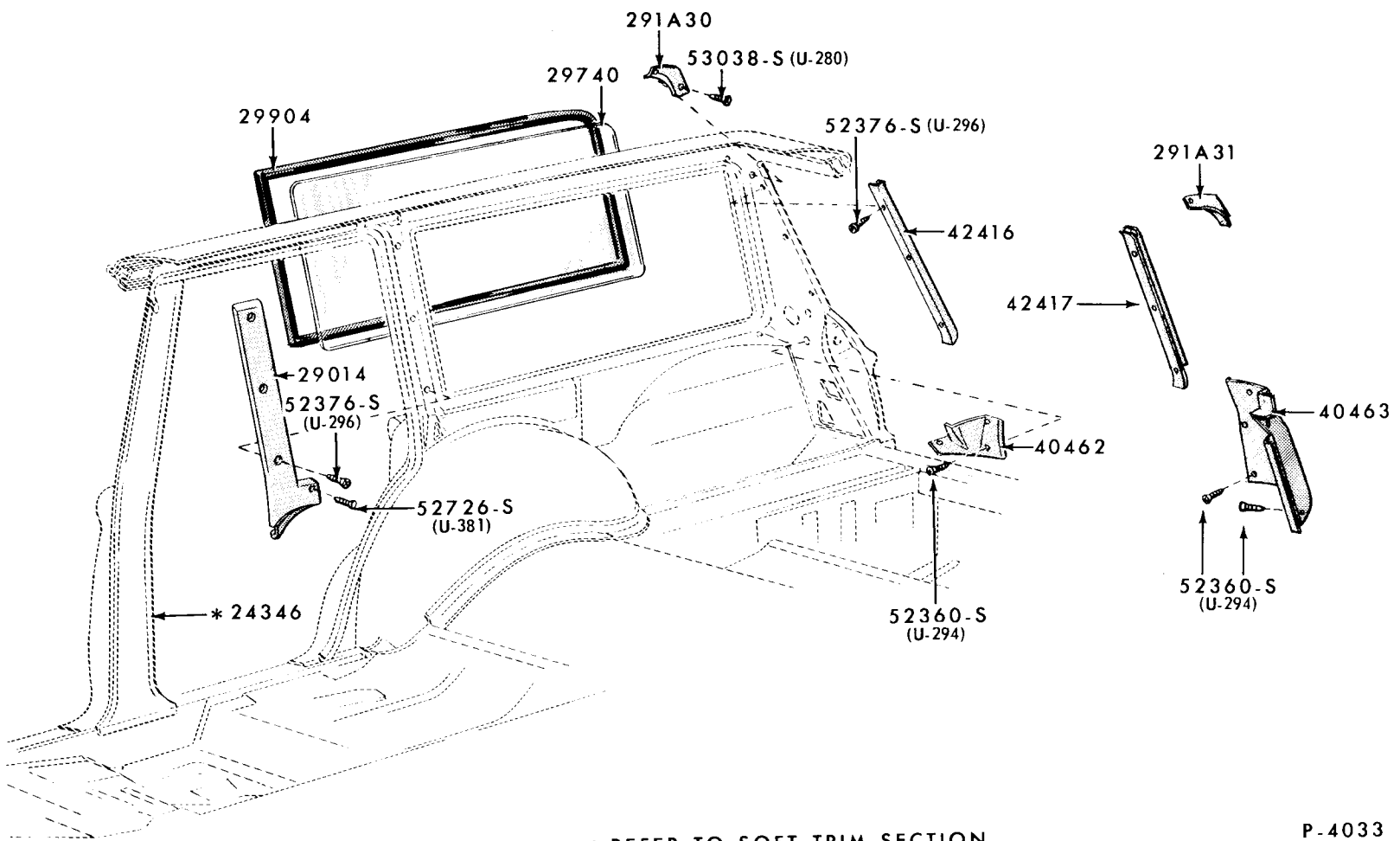
- #USE BULK GLASS TAPE
- * ALSO INCLUDED IN 29002-3
- REFER TO GROUP IN CHASSIS SECTION
- Δ1962/63 UNITS
- ▲1964 UNITS





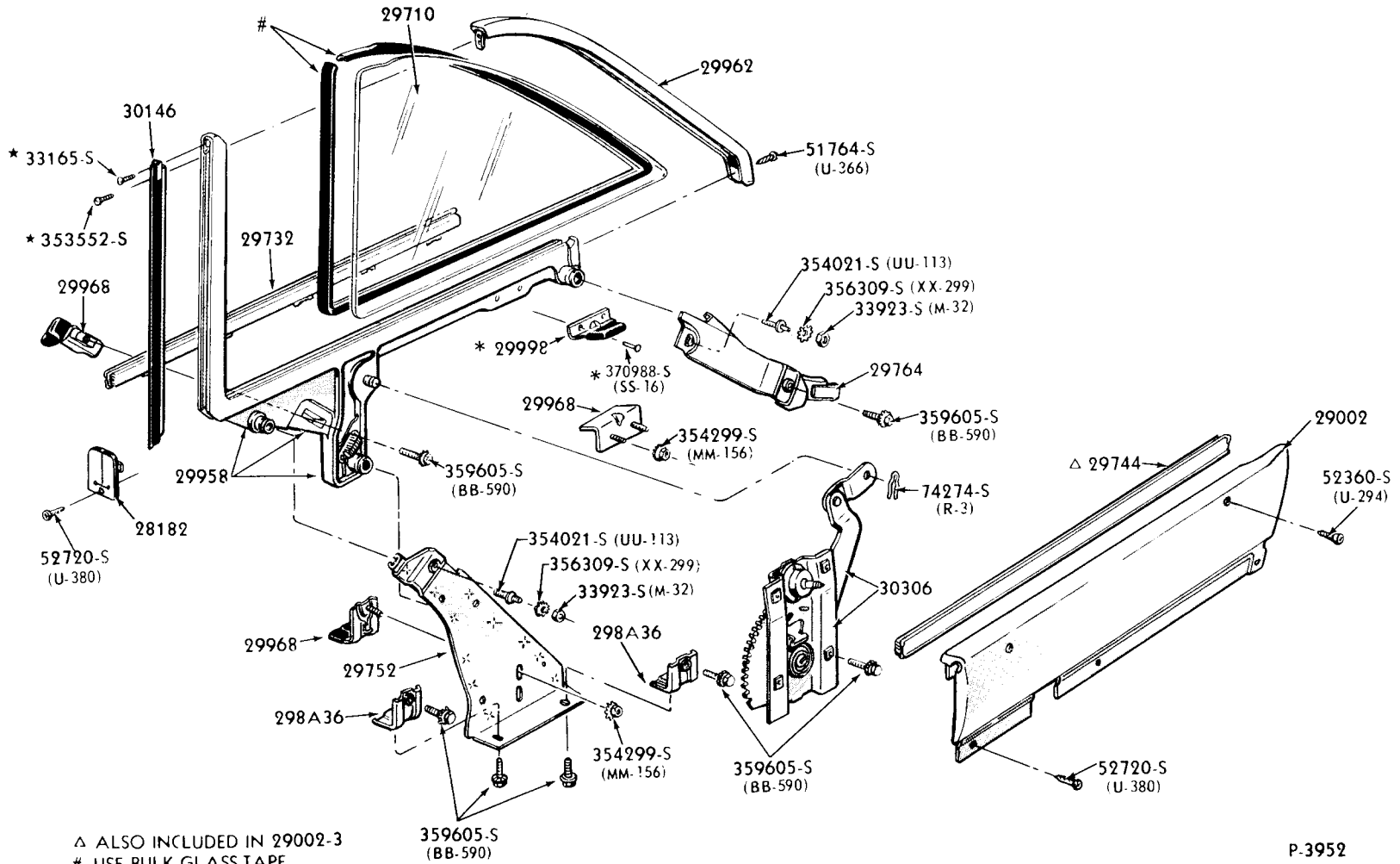
USE BULK GLASS TAPE
 * ALSO INCLUDED WITH 29002-3

1962 / FAIRLANE QUARTER WINDOW PARTS-BODY TYPE B(62)-TYPICAL



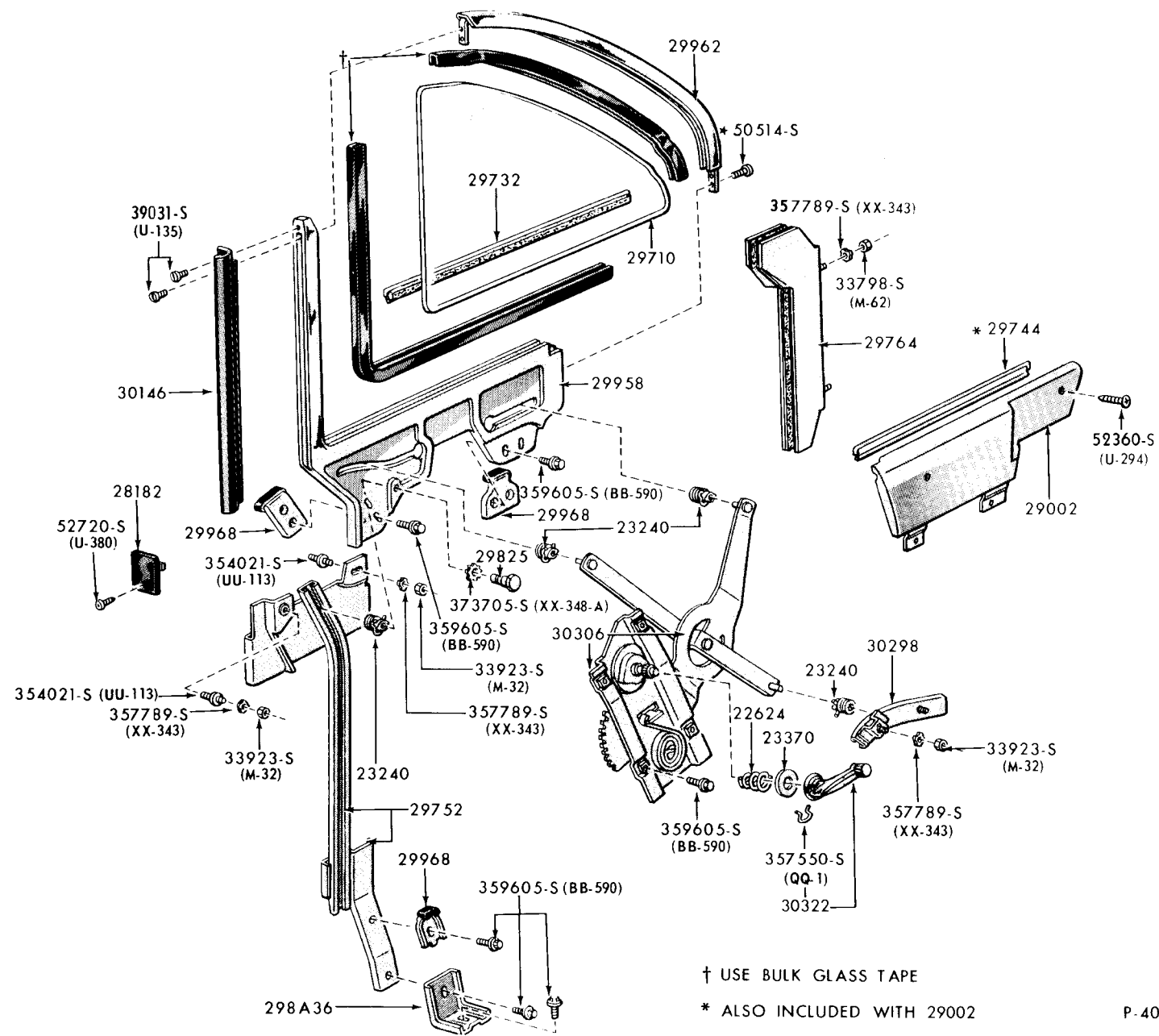
* REFER TO SOFT TRIM SECTION

P-4033



- △ ALSO INCLUDED IN 29002-3
- # USE BULK GLASS TAPE
- * ALSO INCLUDED IN 29958-9

P-3952

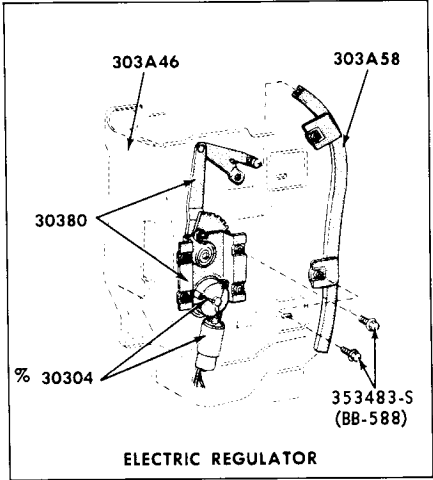
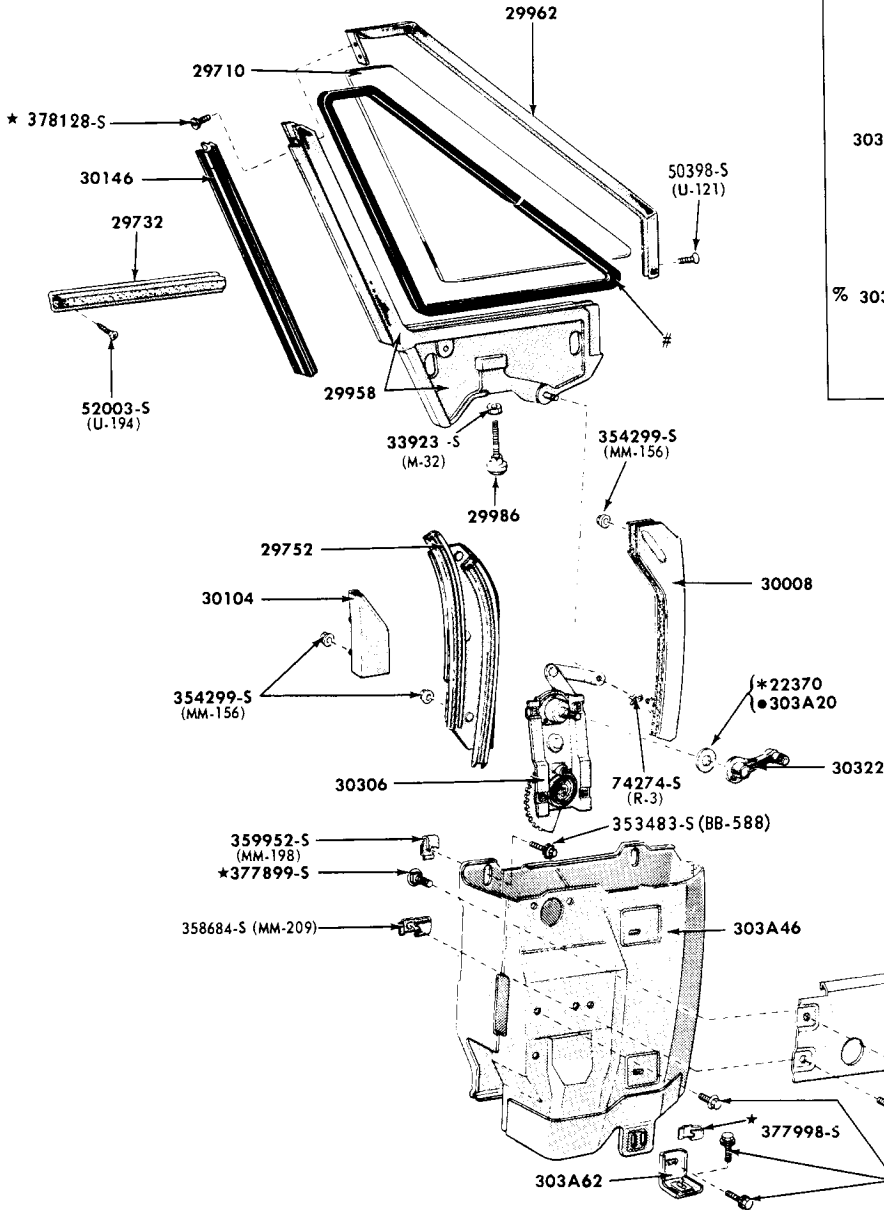


1963/ FALCON QUARTER WINDOW & RELATED PARTS - BODY TYPE X (76)

† USE BULK GLASS TAPE

* ALSO INCLUDED WITH 29002

P-4036



#USE BULK GLASS TAPE

*BODY TYPES S(63A, 76)

●BODY TYPE S(63B)

% FOR GEAR REPLACEMENT KIT REFER TO GROUP 234A24

P-4344

INDEX

INCLUDED IN THIS INDEX ARE THE FOLLOWING MAJOR GROUPS IN THE ORDER SHOWN BELOW:

BACK WINDOW-TAIL & LIFT GATE

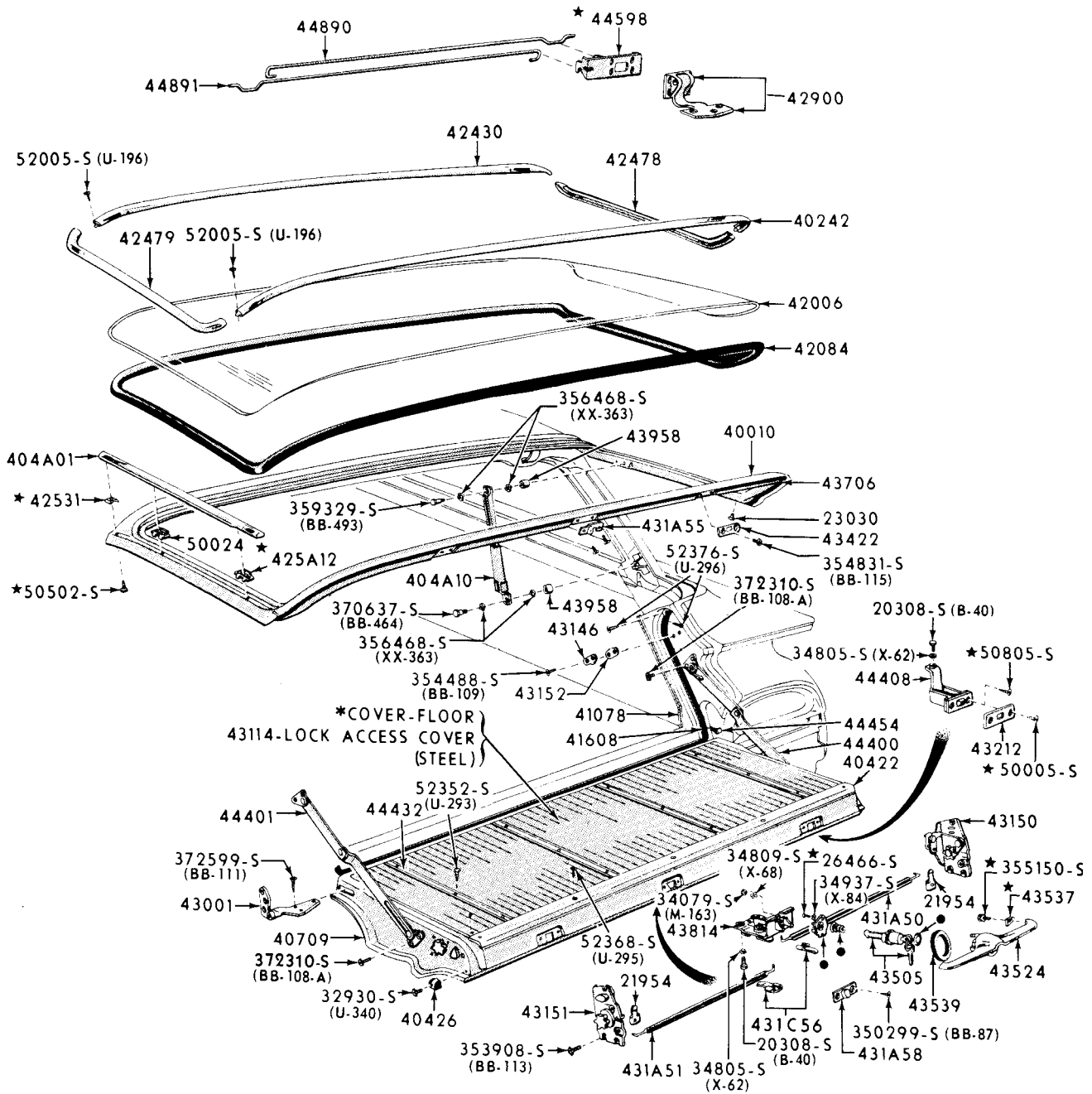
LIFT GATE & LUGGAGE COMPARTMENT DOOR HANDLE

ROOF

YEAR	TITLE	ILLUS. NO.	SECTION	PAGE
BACK WINDOW - TAIL and LIFT GATE				
FAIRLANE				
1962/	Back Window and Related Parts-Body Type 54,62-Typical	P-3760	400	703
1963	Back Window and Related Parts-Body Type 65	P-4037	400	705
1963/	Tail Gate Weatherstrip and Related Parts-Body Type 71	P-4040	400	697
1963	Tail Gate Window and Related Parts-Body Type 71-Typical	P-4041	400	698
FALCON				
1960/62	Back Window and Related Parts-Body Types 58,64	P-3017	400	699
1962	Back Window and Related Parts-Body Type 62C	P-3815	400	705
1963/	Back Window and Related Parts-Body Type 54,62-Typical	P-3817	400	705
1963/	Back Window and Related Parts-Body Type 63-Typical	P-3982	400	707
1960/63	Tail Gate Weatherstrip and Related Parts-Before 5/1/63-Typical	P-3161	400	688
1963/	Tail Gate Weatherstrip and Related Parts-From 5/1/63-Typical	P-4151	400	689
1960/	Tail Gate and Related Parts-Typical	P-3202	400	691
1960/	Tail Gate Window and Related Parts-Typical	P-3199	400	690
FORD				
1960	Back Window and Related Parts-Body Types 54,62,75A	P-3016	400	699
1960	Back Window and Related Parts-Body Types 58,64	P-3015	400	700
1960	Tail and Lift Gate and Related Parts-Body Types 59,71	P-3020	400	687
1960	Back Window and Related Parts -Body Type 63	P-3018	400	700
1961	Tail Gate Weatherstrip and Trim Parts-Body Types 59,71	P-3346	400	692
1961	Back Window and Related Parts-Body Types 58,64	P-3348	400	703
1961	Back Window and Related Parts-Body Type 63	P-3349	400	702
1962	Tail Gate Weatherstrip and Trim Parts-Body Type 71	P-3779	400	694
1961/63	Back Window and Related Parts-Body Types 54,62,65,75-Typical	P-3347	400	702
1963	Tail Gate Weatherstrip and Related Parts-Body Type 71	P-4039	400	695
1964	Back Window and Related Parts-Body Type 54	P-4347	400	708
1964	Back Window and Related Parts-Outside-Body Type 57	P-4348	400	709
1964	Back Window & Roof Side Moulding, Weatherstrip & Related Parts-Inside-Body Type 57	P-4356	400	709
1964	Back Window & Related Parts -Body Type 62	P-4392	400	708
1964	Tail Gate Weatherstrip and Related Parts-Body Type 71	P-4427	400	696
1963/64	Back Window & Body Side Inside Mouldings-Body Type 63-Typical	P-4089	400	707
1963/64	Back Window Outside Mouldings & Related Parts-Body Type 63	P-4088	400	706
1961/64	Tail Gate Window and Related Parts-Body Types 59,71-Typical	P-3385	400	693
THUNDERBIRD				
1960	Back Window and Related Parts-Body Type 63A	P-2616	400	701
1961/63	Back Window and Related Parts-Body Type 63	P-3352	400	704
1964	Back Window and Related Parts-Outside-Body Type 63	P-4349	400	710
1964	Back Window and Related Parts-Inside-Body Type 63	P-4350	400	710
LIFT GATE and LUGGAGE COMPARTMENT DOOR HANDLE				
FAIRLANE				
1962/63	Luggage Compartment Door Latch and Related Parts -except Body Type 71	P-3761	430	716
1964/	Luggage Compartment Door Latch and Related Parts-except Body Type 71	P-4359	430	719
FALCON				
1960/61	Luggage Compartment Door Latch and Related Parts-Body Types 58,64	P-3162	430	713
1962/63	Luggage Compartment Door Latch and Related Parts- except 59,66,71,78	P-4043	430	717
1964/	Luggage Compartment Door Latch and Related Parts-Body Types 54,62,63,76	P-4360	430	719

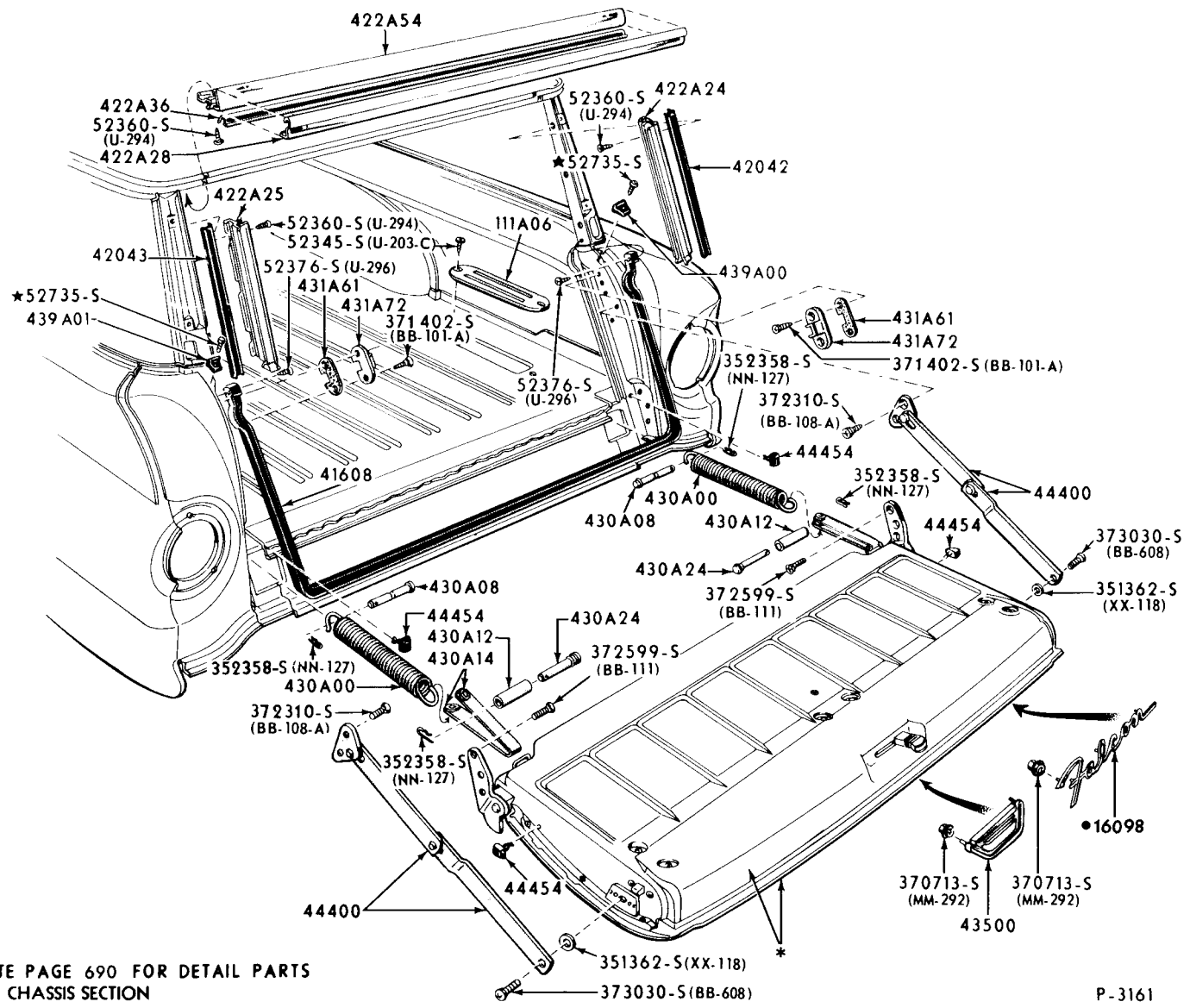
INDEX

YEAR	TITLE	ILLUS. NO.	SECTION	PAGE
LIFT GATE and LUGGAGE COMPARTMENT DOOR HANDLE - continued				
FORD				
1960	Luggage Compartment Door Latch and Related Parts-Body Types 58E, 64F, 64G	P-3081	430	711
1960	Luggage Compartment Door Latch and Related Parts-Body Types 58F, 64H	P-3208	430	712
1960	Luggage Compartment Door Latch and Related Parts-Body Types 58A, 64A	P-3036	430	711
1960	Luggage Compartment Door Latch, Moulding and Related Parts-Body Types 54, 62, 63, 75, 76	P-3037	430	713
1961	Luggage Compartment Door Latch and Related Parts-Body Types 54, 58, 63, 64, 65, 75, 76	P-3351	430	714
1962	Luggage Compartment Door Latch and Related Parts-Body Types 54, 62, 65, 75, 76	P-3791	430	716
1963	Luggage Compartment Door Latch and Related Parts-except Body Type 71	P-4042	430	717
1964	Luggage Compartment Door Latch and Related Parts-except Body Type 71	P-4358	430	718
THUNDERBIRD				
1960	Luggage Compartment Door Latch and Related Parts-Body Type 63	P-2619	430	712
1961/63	Luggage Compartment Door Ornament-Body Type 76	P-3354	430	715
1961/63	Luggage Compartment Door Latch and Related Parts-Body Type 63	P-3355	430	715
1964/	Luggage Compartment Door Latch and Related Parts-Body Type 63	P-4357	430	718
1964/	Luggage Compartment Door Weatherstrip and Related Parts-Body Type 76	P-4387	430	720
ROOF				
FAIRLANE				
1963/	Roof Ski Carrier	P-4050	500	735
FALCON				
1963/64	Roof Side Weatherstrips and Related Parts-Body Type 63	P-4091	500	722
1963	Roof Ski Carrier	P-4050	500	735
1963/	Folding Top Parts-Less Trim-Body Type 76	P-4006	500	731
1963/64	Folding Top Trim Parts-Body Type 76	P-3155	500	730
1960/64	Folding Top Parts-Less Trim-Body Type 76	P-3039	500	725
FORD				
1960/63	Roof Side Weatherstrips and Related Parts-Typical	P-3038	500	721
1963/64	Roof Side Weatherstrip and Related Parts-Body Types 57, 63	P-3957	500	722
1960/64	Folding Top Parts-Less Trim-Body Type 76	P-3039	500	725
1960/64	Folding Top Trim Parts-Body Type 76	P-3155	500	730
1960/64	Roof Luggage Carrier-Typical	P-3227	500	734
1963/	Roof Ski Carrier	P-4050	500	735
THUNDERBIRD				
1960	Roof Side Rail Weatherstrip and Related Parts-Body Type 63	P-2622	500	721
1960	Folding Top Parts-Less Trim-Body Type 76	P-2663	500	726
1960	Sliding Roof Panel and Related Parts-Body Type 63	P-3164	500	724
1960	Folding Top and Deck Lid Hydraulic Lift and Related Parts-Body Type 76	P-3473	500	728
1961/63	Roof Side Rail Weatherstrip and Related Parts-Body Type 63	P-3386	500	723
1961/63	Folding Top and Deck Lid Hydraulic Lift and Related Parts-Body Type 76	P-3415	500	729
1961/63	Folding Top Parts-Less Trim-Body Type 76	P-3387	500	727
1964/	Roof Side Rail Weatherstrips and Related Parts-Body Type 63A, B	P-4354	500	723
1963/	Roof Ski Carrier	P-4050	500	735
1964/	Folding Top Parts-Less Trim-Body Type 76	P-4385	500	732
1964/	Folding Top & Deck Lid Hydraulic Lift and Related Parts-Body Type 76	P-4386	500	733
1960/	Folding Top Trim Parts-Body Type 76	P-3155	500	730



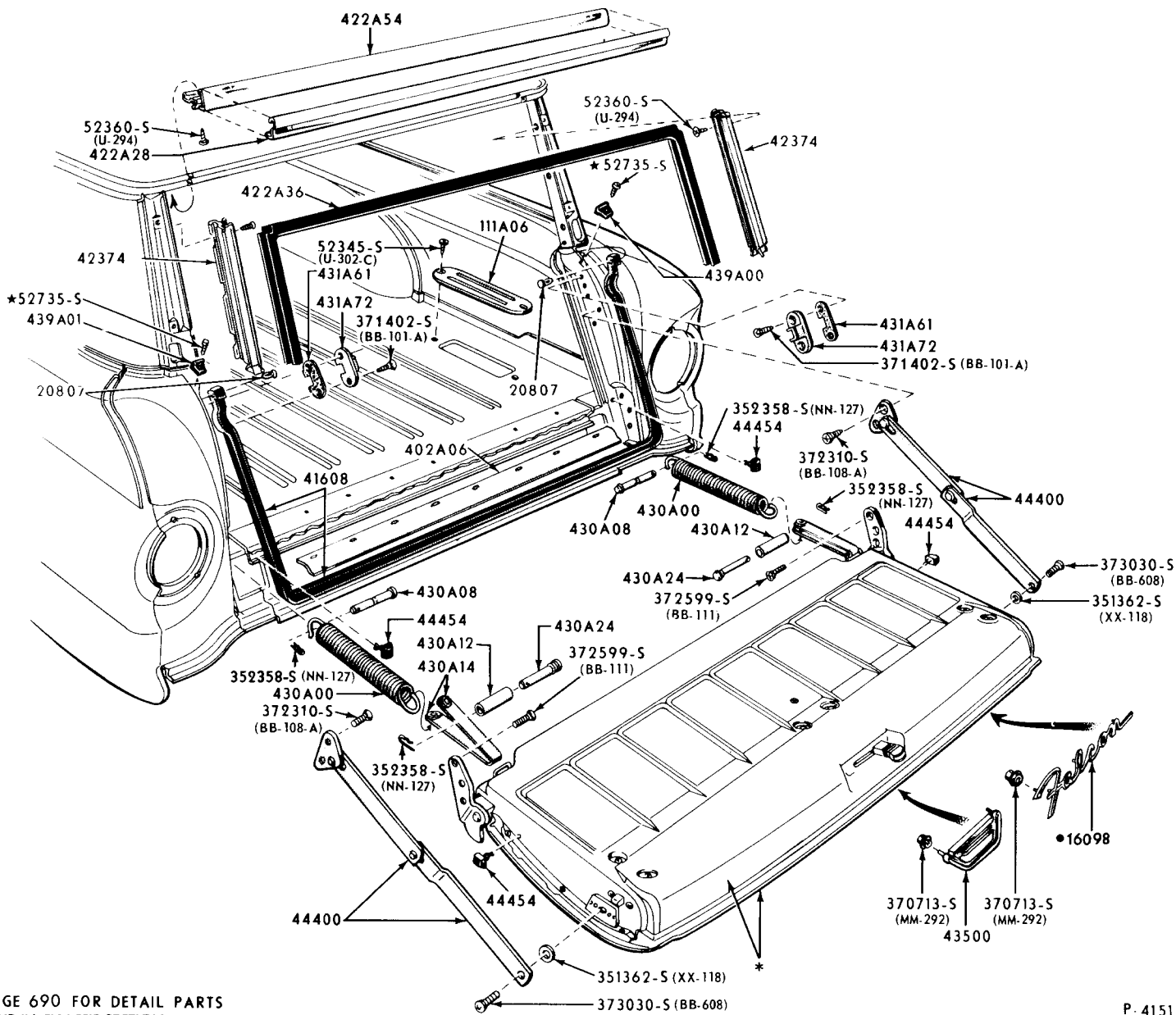
●SERVICED IN KIT 43442

* REFER TO GROUP 11488 IN SOFT TRIM SECTION OR BODY GROUP 40726



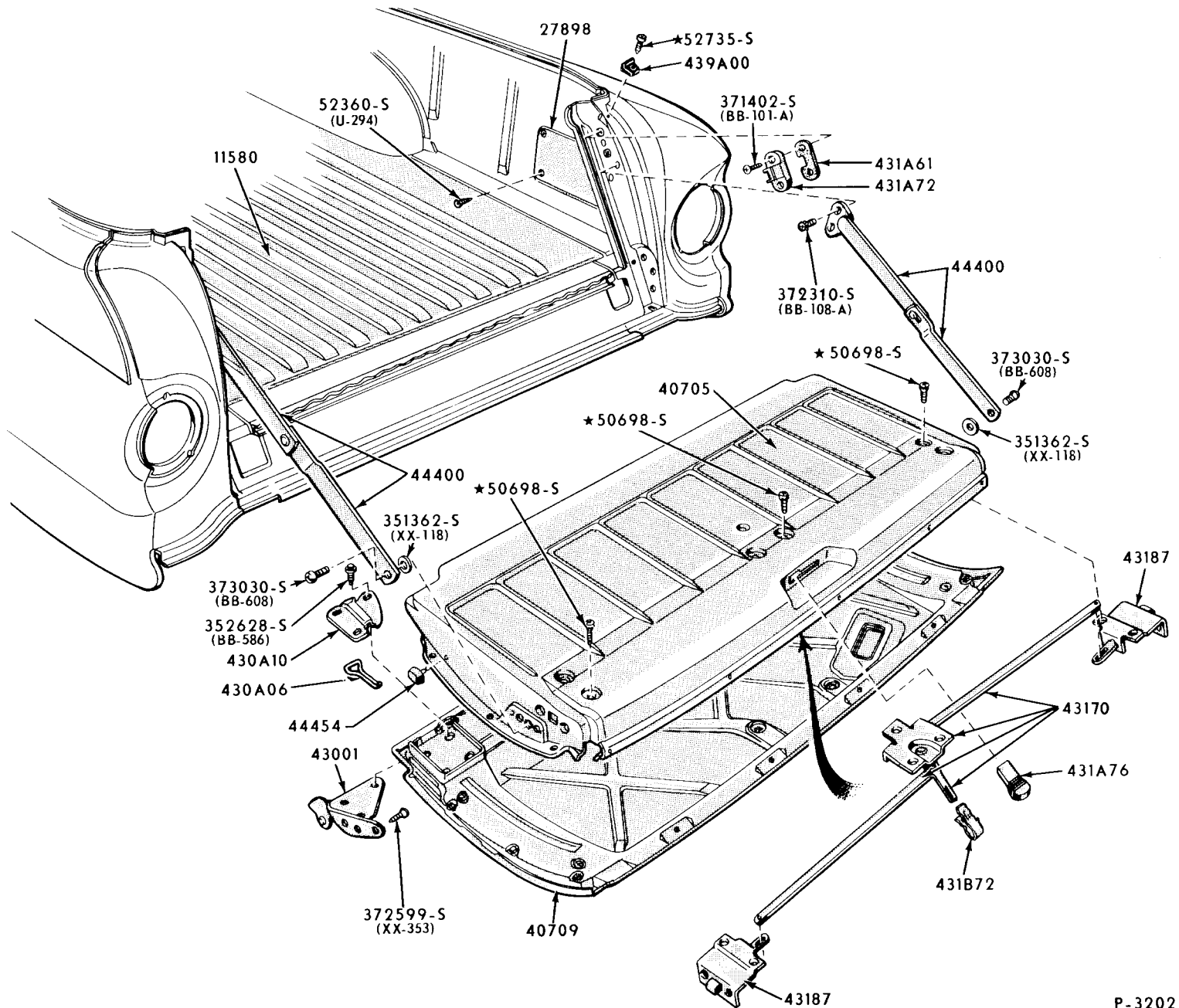
TAIL GATE WEATHERSTRIPS & RELATED PARTS
1960/63 FALCON-BODY TYPES 59, '71, '78 - "Before 5/1/69"

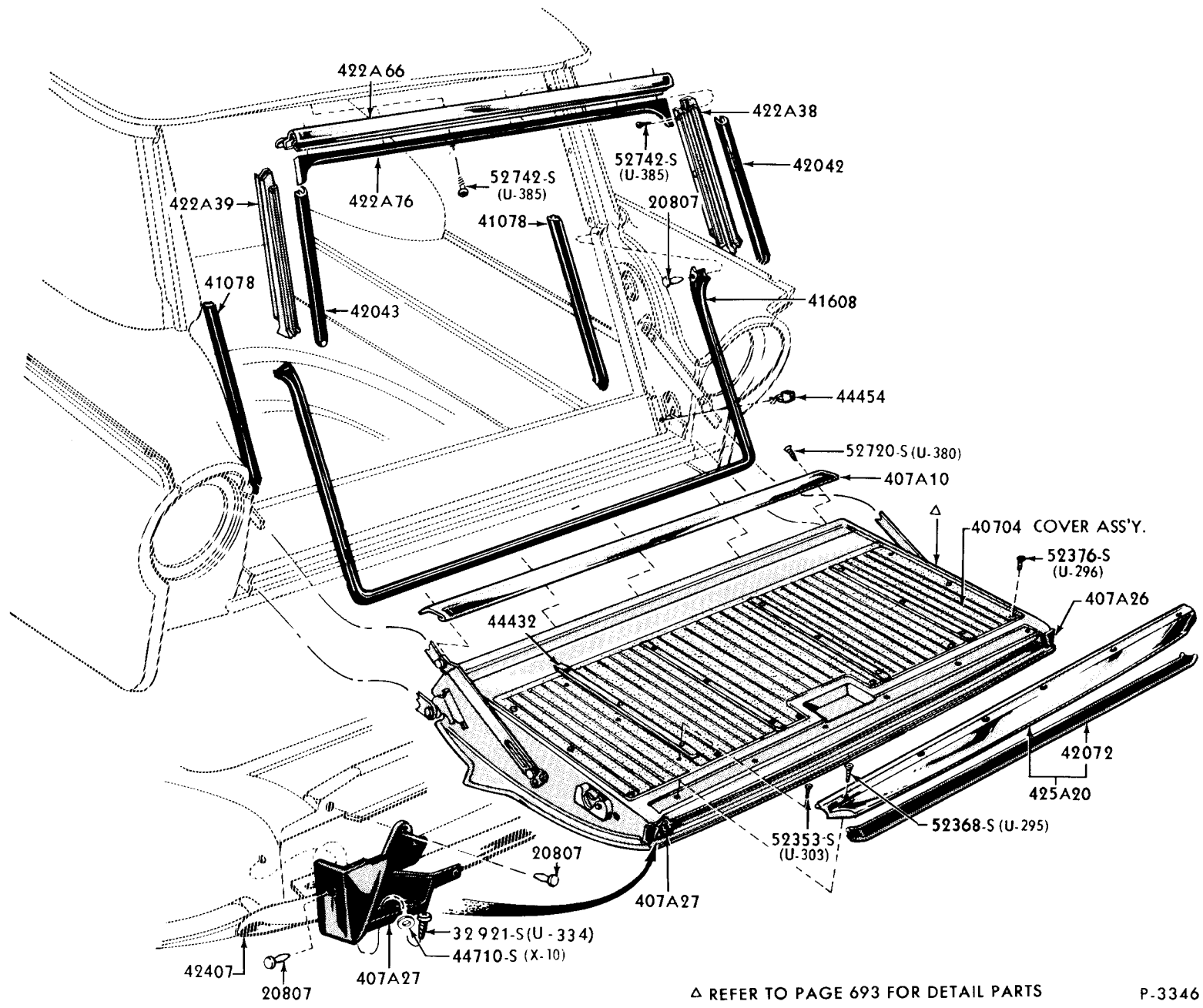
* REFER TO OPPOSITE PAGE 690 FOR DETAIL PARTS
 ● REFER TO GROUP IN CHASSIS SECTION



TAIL GATE WEATHERSTRIPS & RELATED PARTS
1963/ FALCON-BODY TYPES 59,71,78 - "From 5/1/63"

* REFER TO PAGE 690 FOR DETAIL PARTS
• REFER TO GROUP IN CHASSIS SECTION

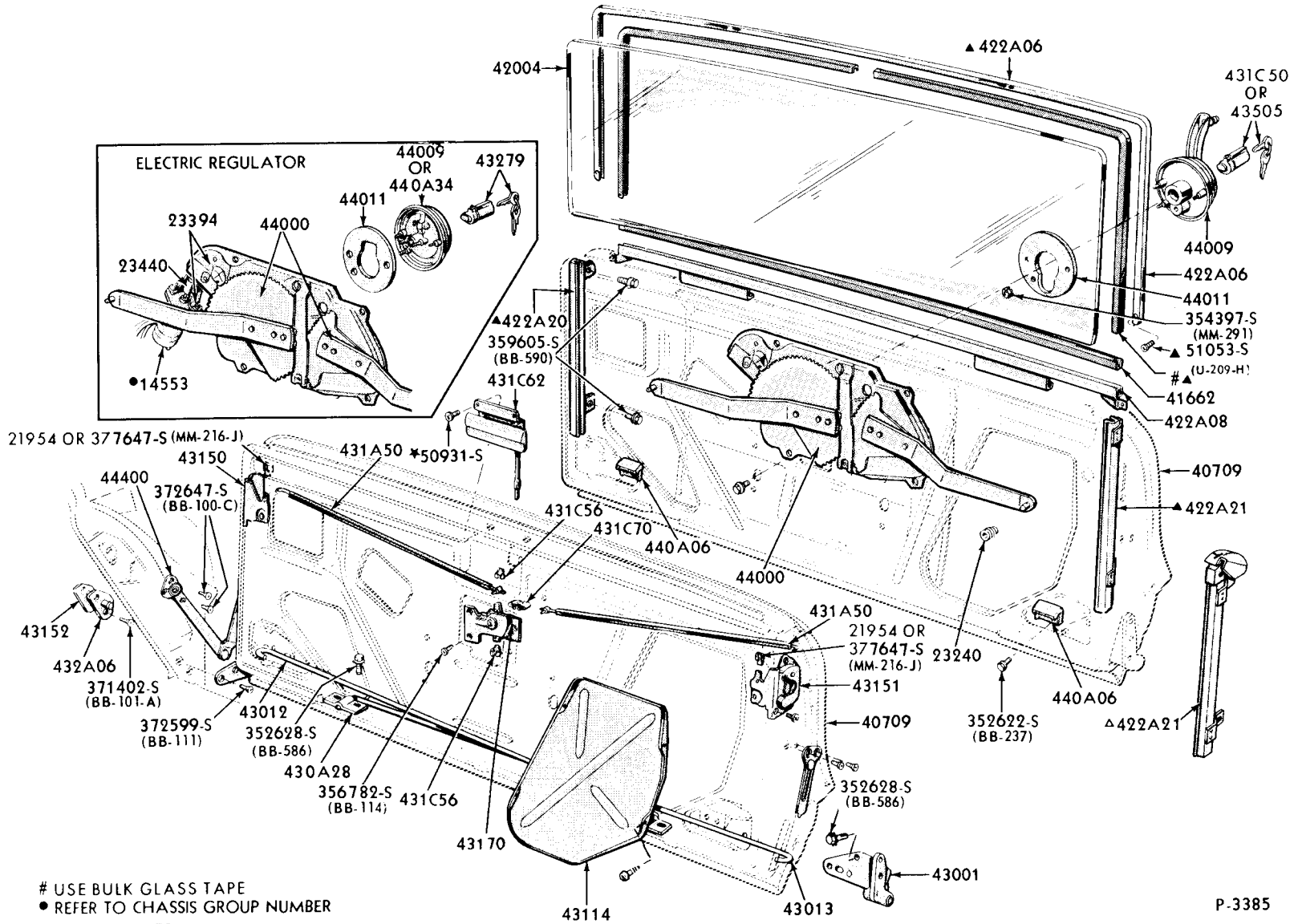




1961 RANCH & STATION WAGON TAIL GATE WEATHERSTRIPS & TRIM PARTS - BODY TYPES A (59, 71)

△ REFER TO PAGE 693 FOR DETAIL PARTS

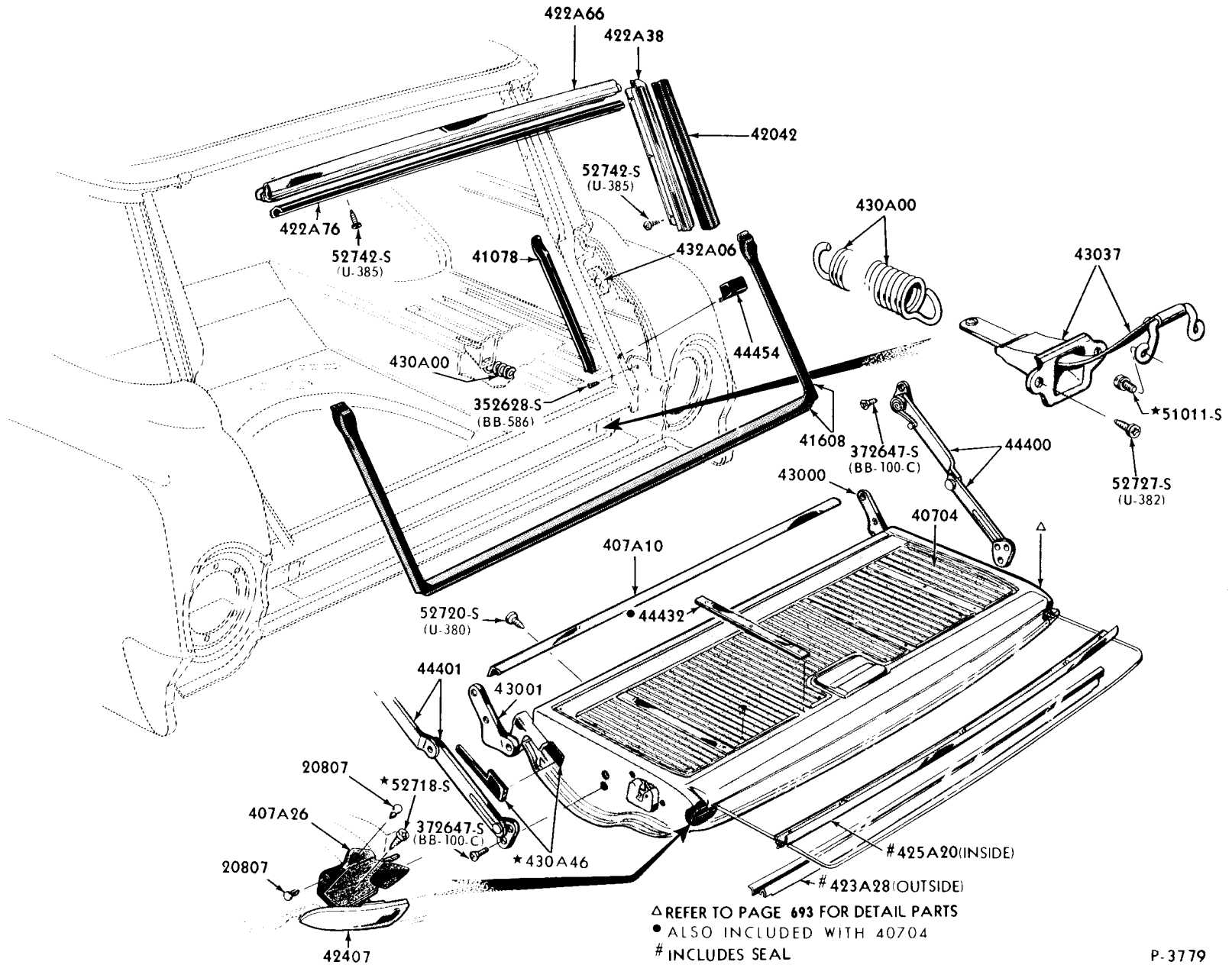
P-3346



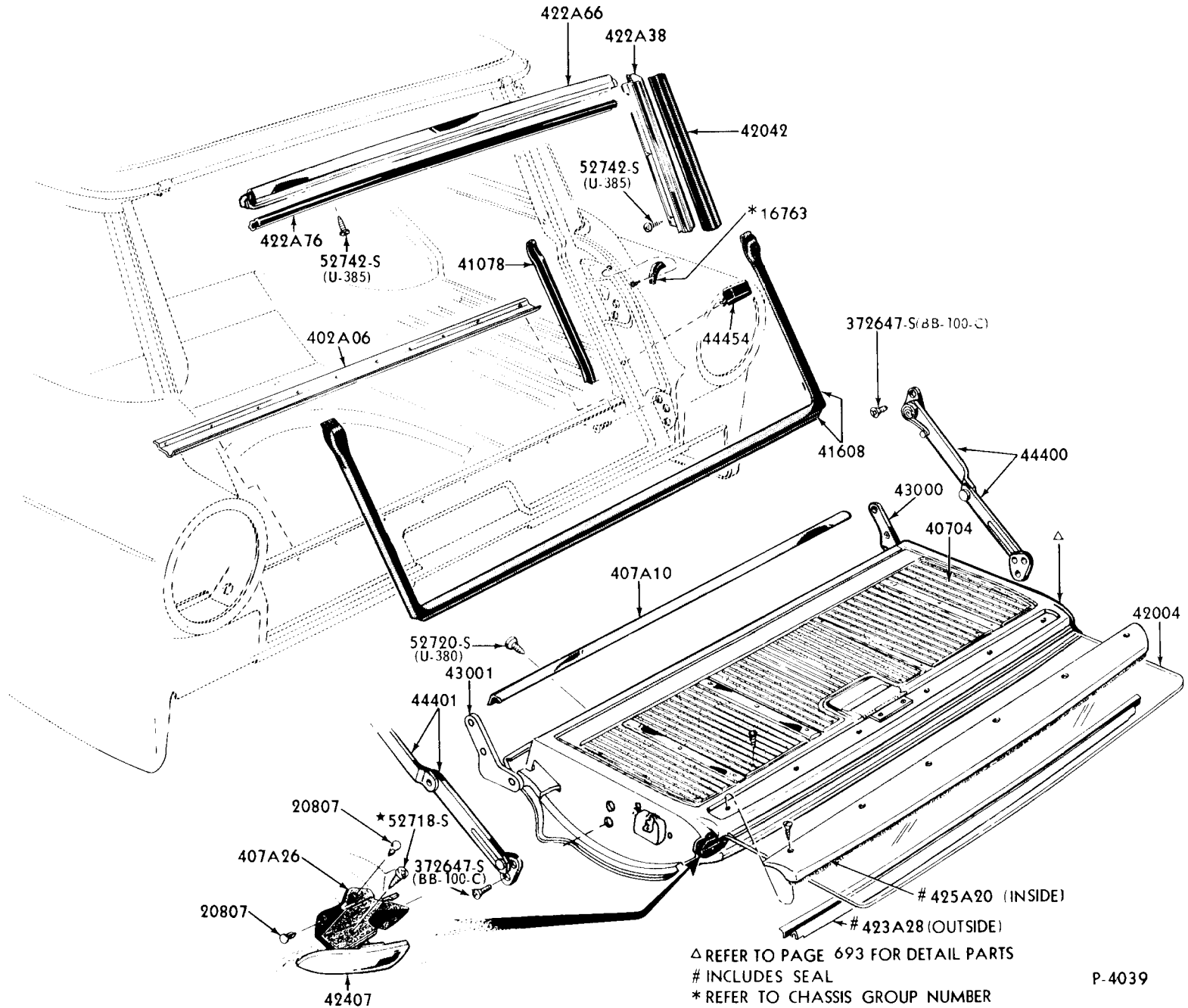
USE BULK GLASS TAPE
 ● REFER TO CHASSIS GROUP NUMBER
 ▲1961/63 UNITS
 △1964 UNITS

P-3385

1962 STATION WAGON TAIL GATE WEATHERSTRIPS & TRIM PARTS-BODY TYPE A(71)



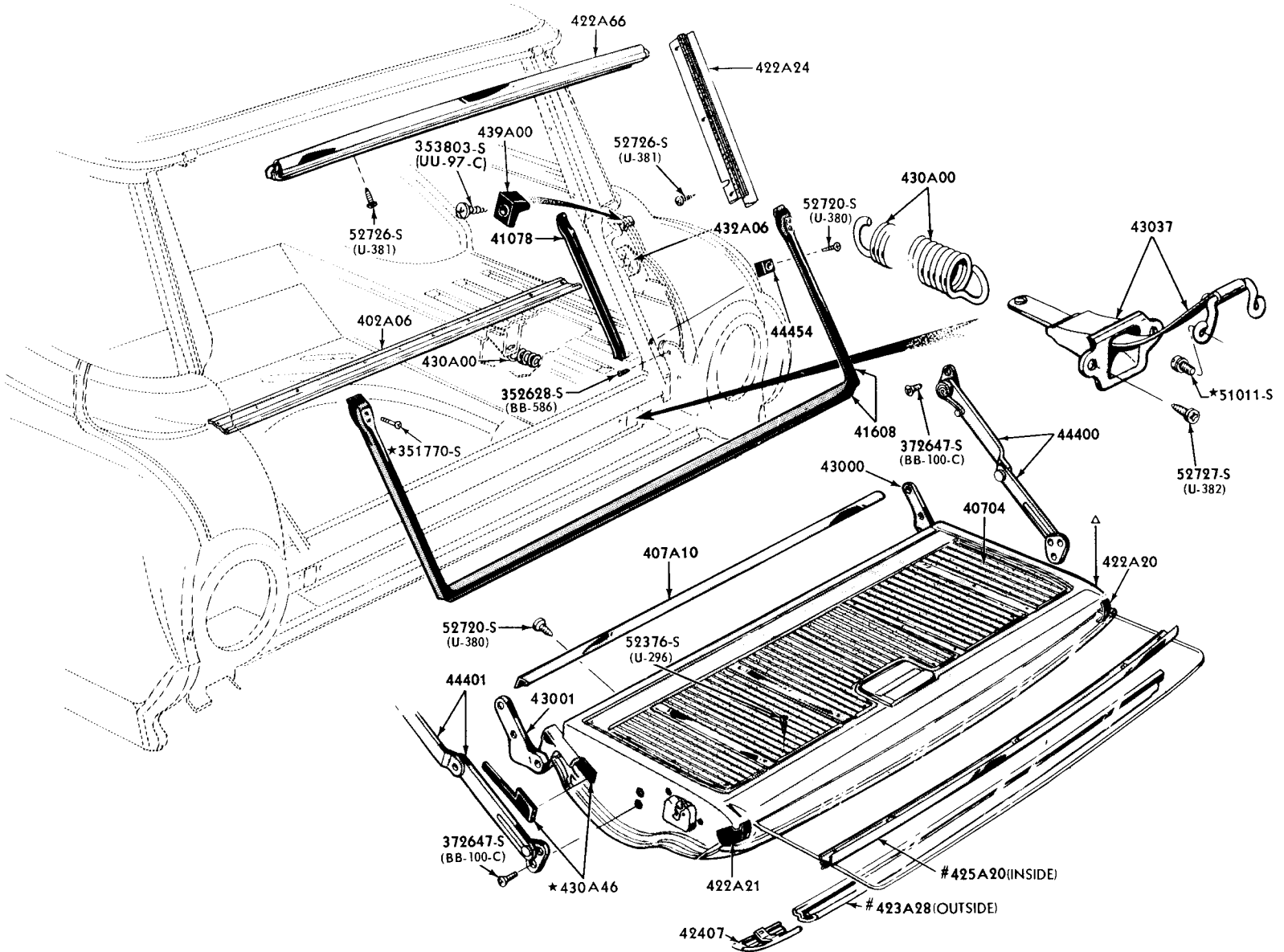
△ REFER TO PAGE 693 FOR DETAIL PARTS
 ● ALSO INCLUDED WITH 40704
 # INCLUDES SEAL



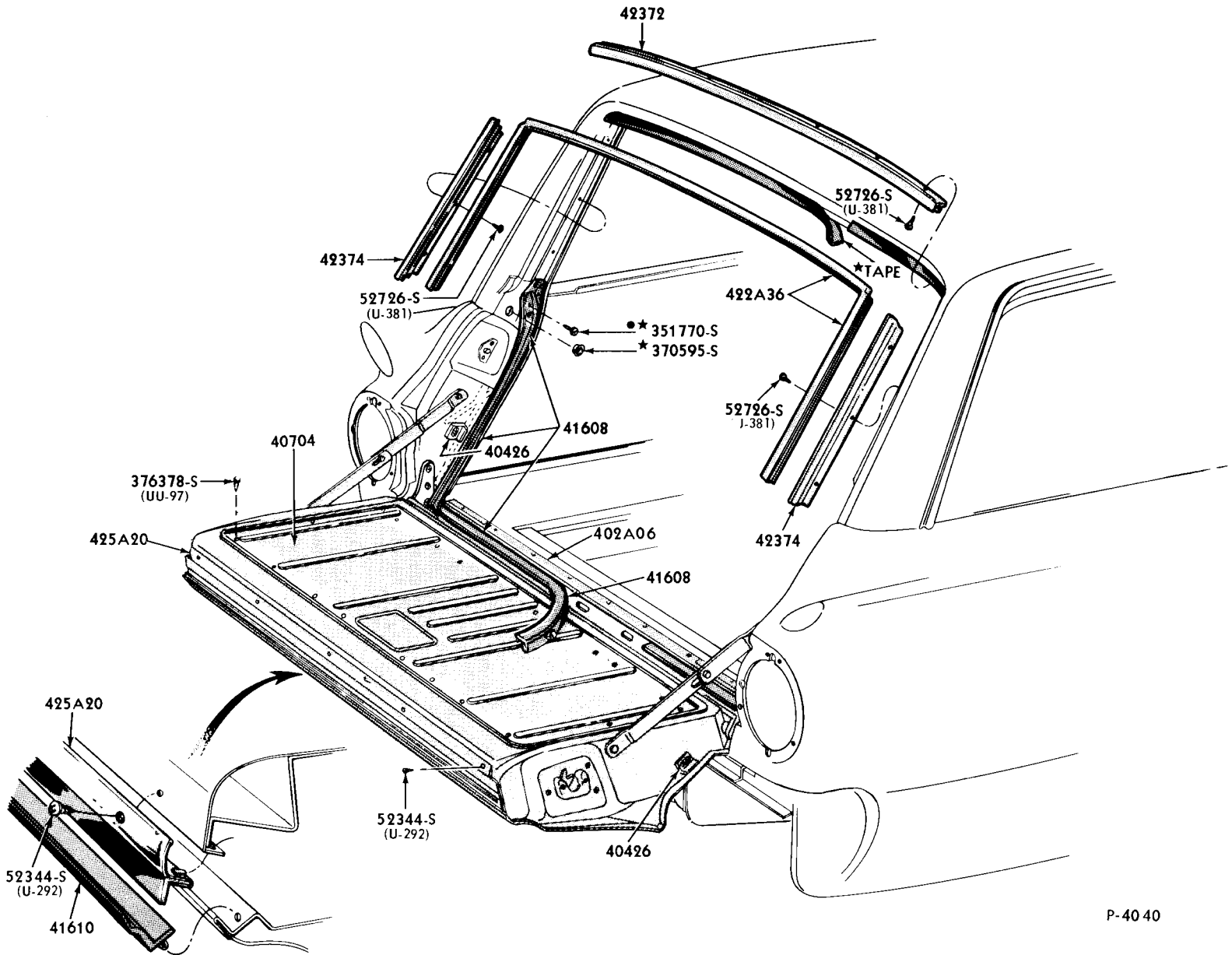
Δ REFER TO PAGE 693 FOR DETAIL PARTS
 # INCLUDES SEAL
 * REFER TO CHASSIS GROUP NUMBER

P-4039

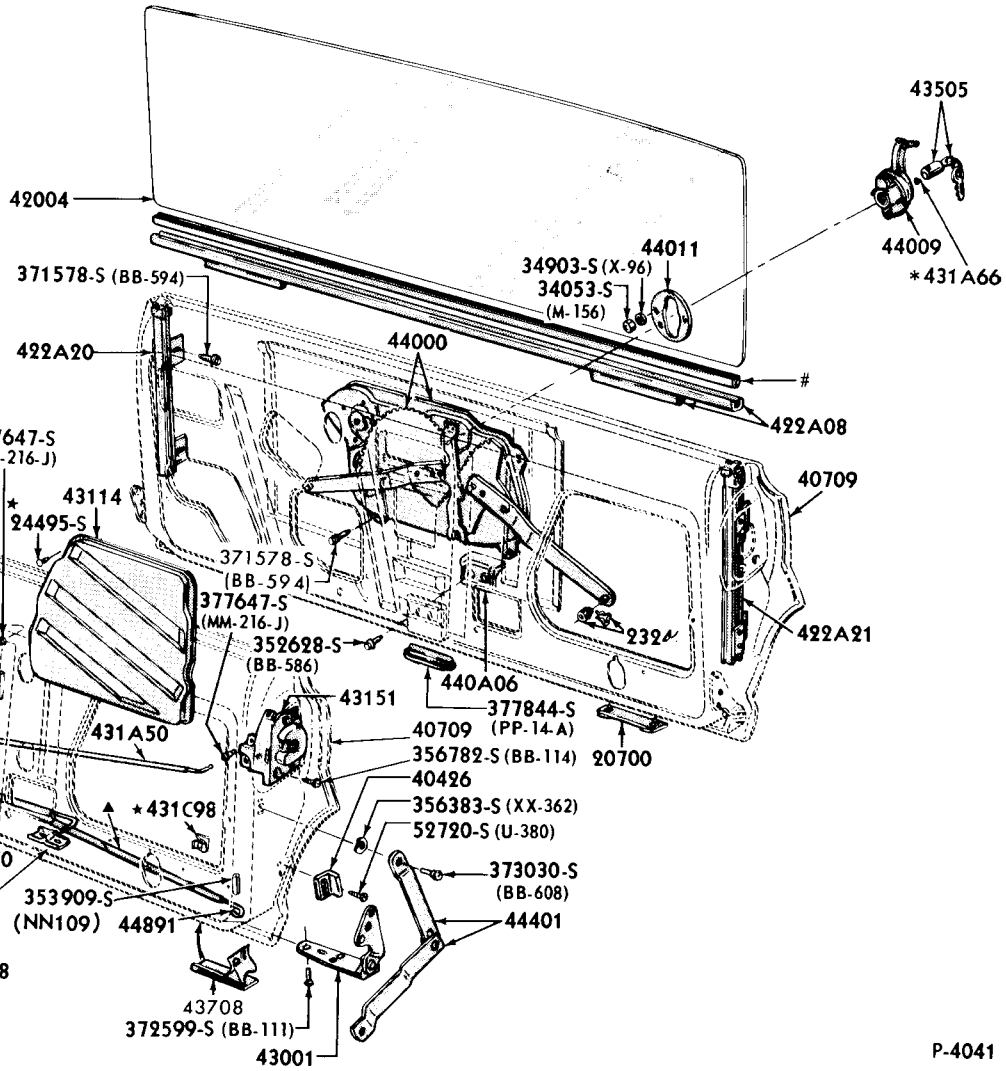
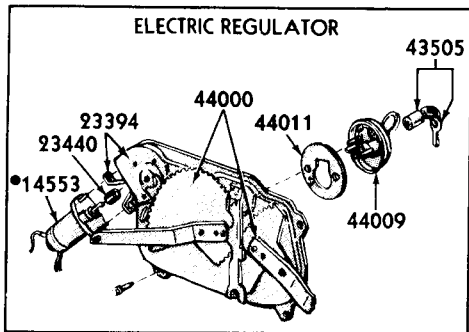
1964 STATION WAGON TAIL GATE WEATHERSTRIPS & RELATED PARTS-BODY TYPE A(71)



△ REFER TO PAGE 693 FOR DETAIL PARTS
INCLUDES SEAL

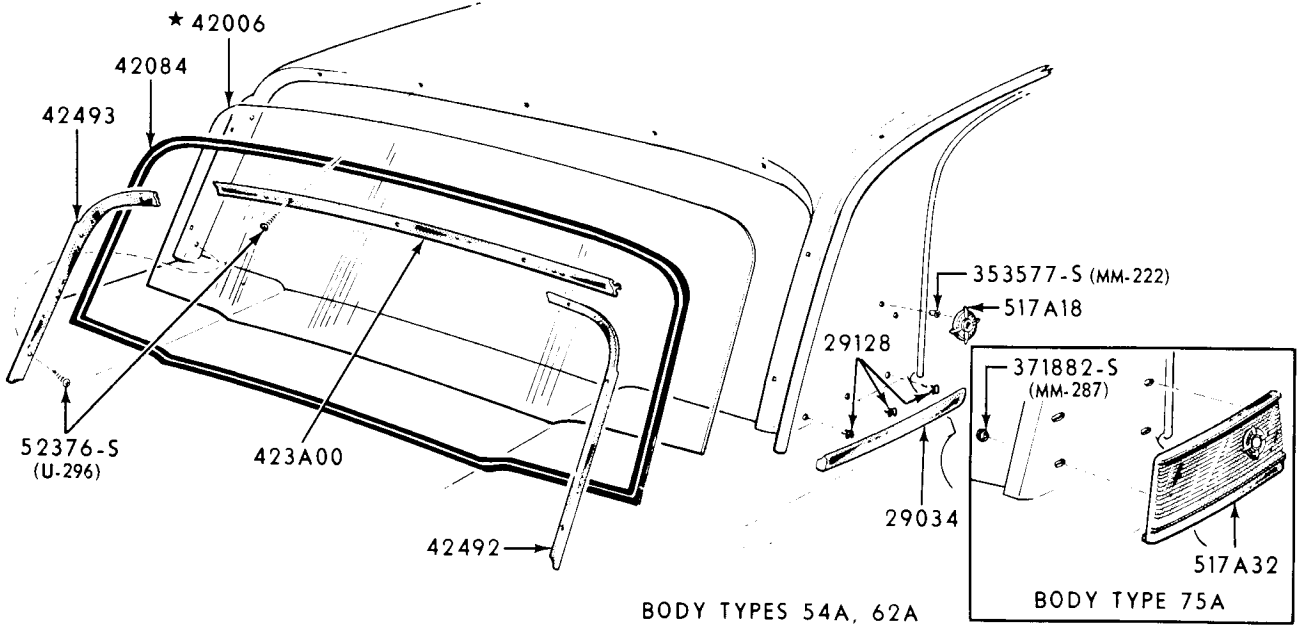


• FOR SERVICE USE 353803-S8



USE BULK GLASS TAPE
 ▲ CUT FROM • 17543
 * REFER TO CHASSIS GROUP
 * ALSO PART OF 44009

1963 / FAIRLANE STATION WAGON TAIL GATE WINDOW & RELATED PARTS - BODY TYPE B(71) - TYPICAL

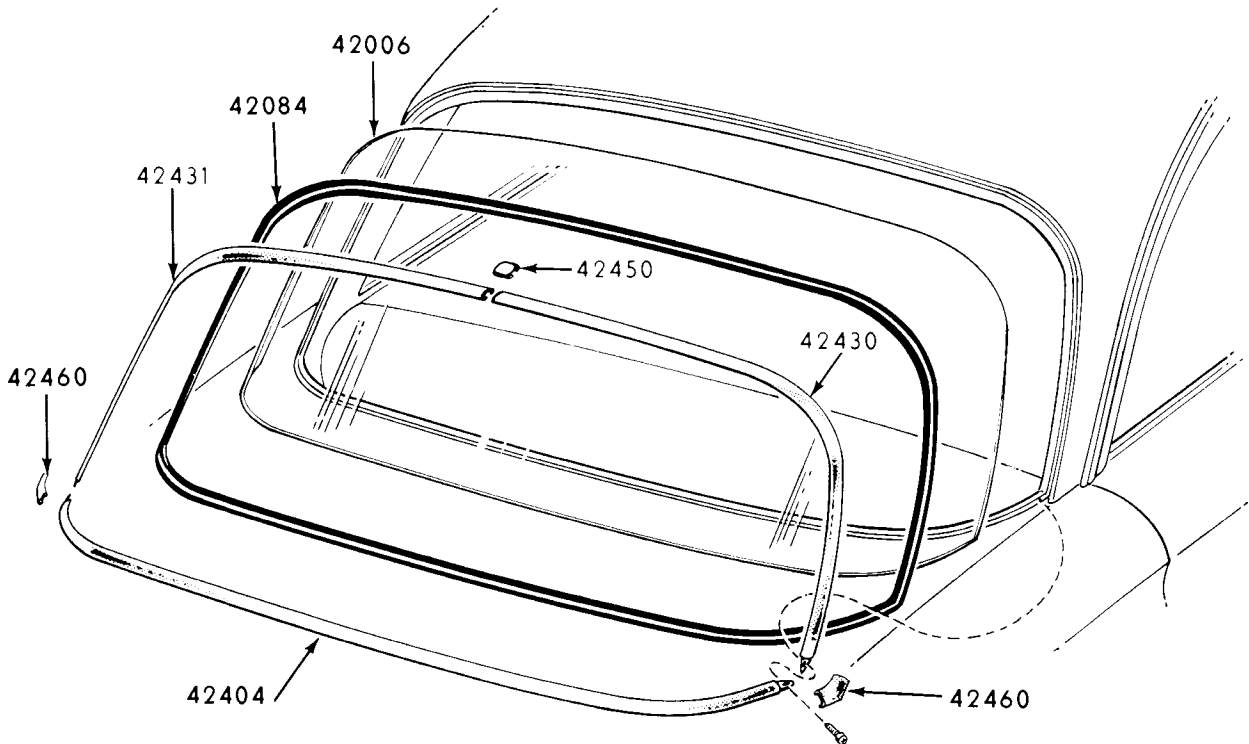


BODY TYPES 54A, 62A

BODY TYPE 75A

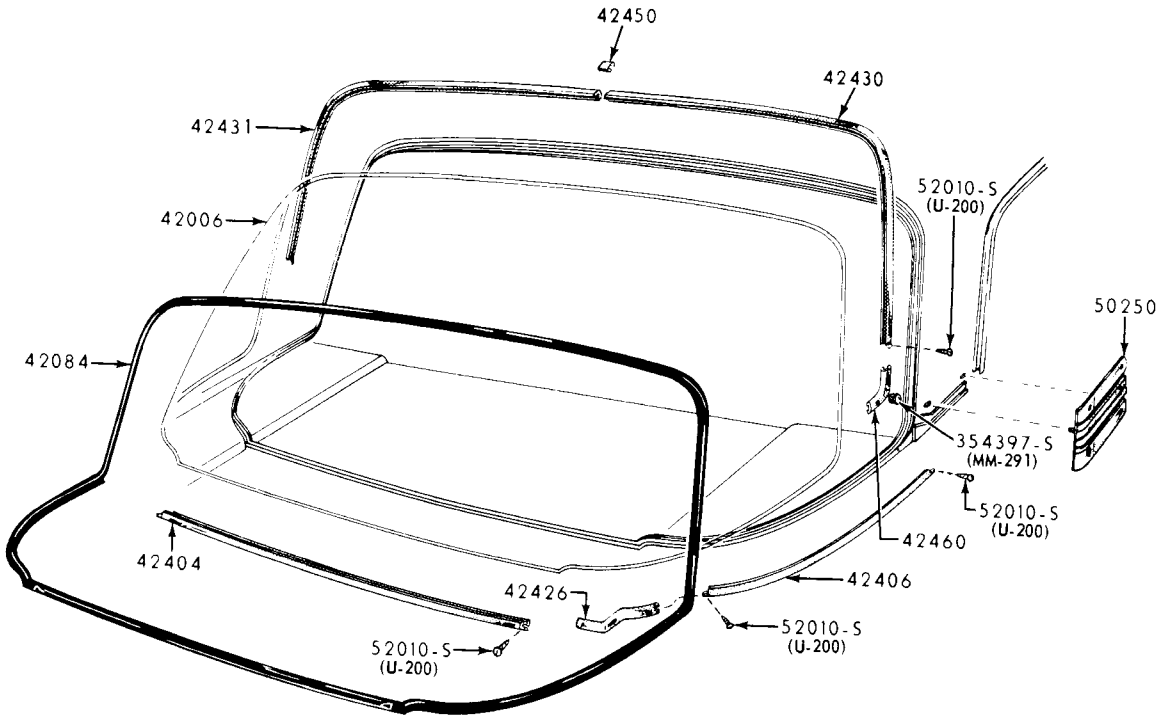
P-3016

1960 BACK WINDOW & RELATED PARTS - BODY TYPES A (54A, 62A, 75A)



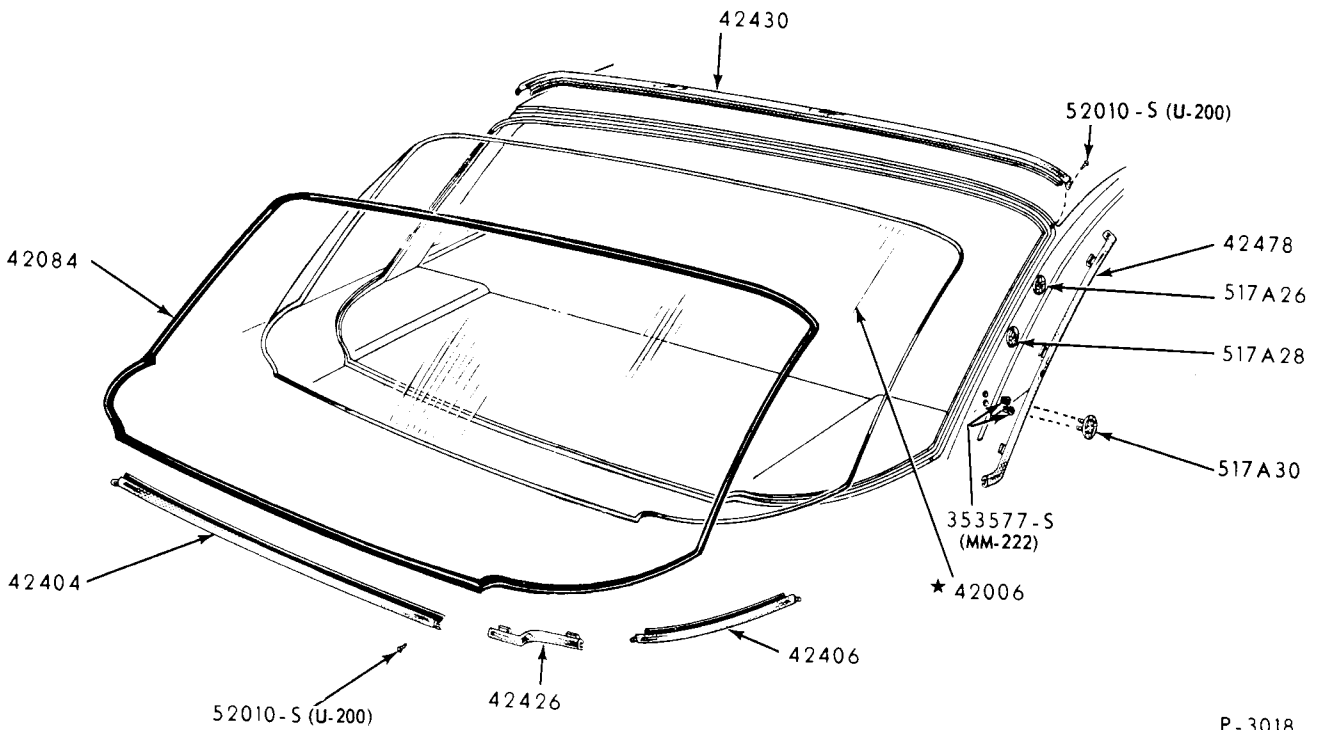
P-3017

1960/62 FALCON BACK WINDOW & RELATED PARTS - BODY TYPE X(EXCEPT 62)



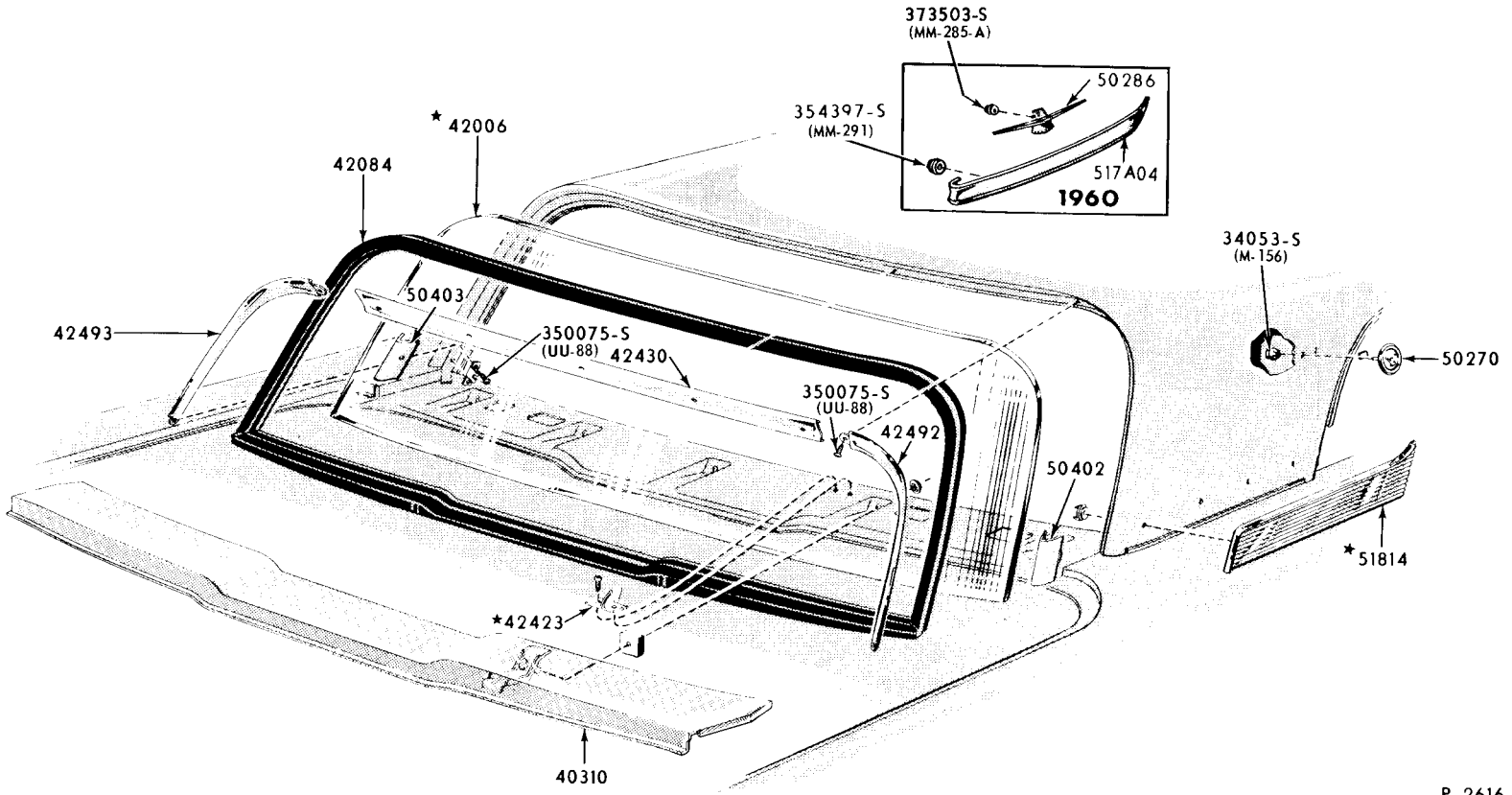
BACK WINDOW & RELATED PARTS
1960 FORD-BODY TYPE 63

P-3015

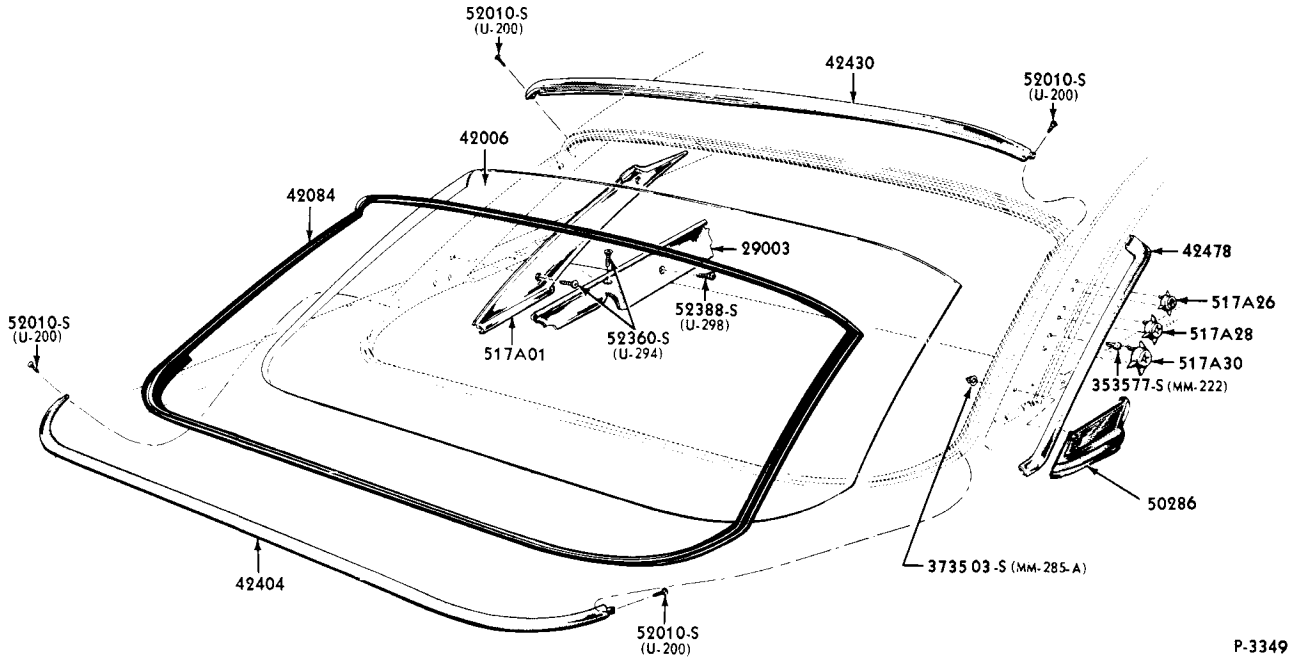


BACK WINDOW & RELATED PARTS
1960 FORD - BODY TYPES 58,64

P-3018

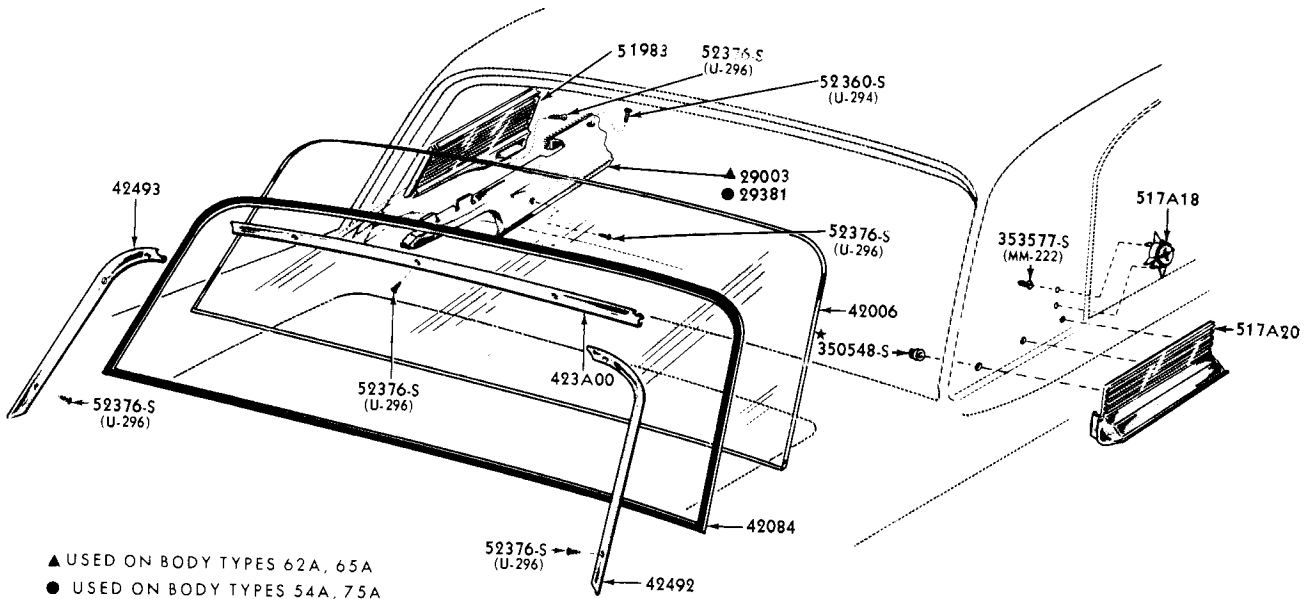


P-2616



P-3349

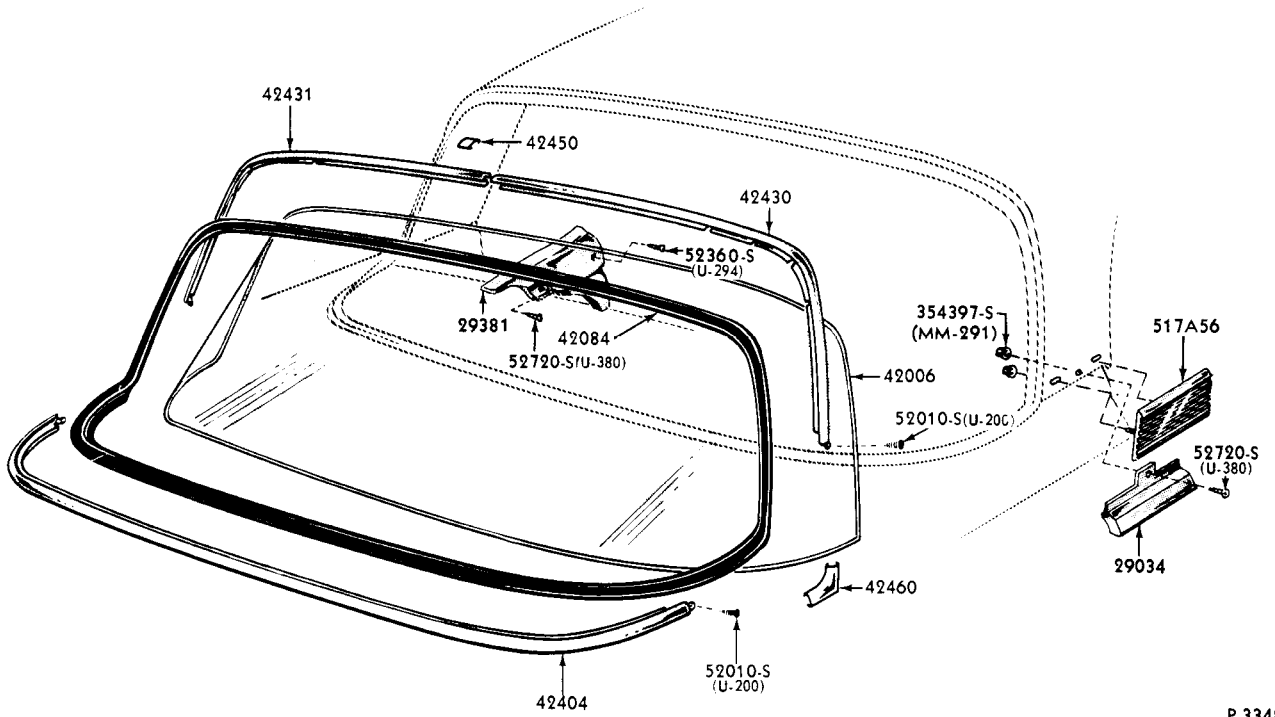
1961 BACK WINDOW & RELATED PARTS - BODY TYPE A (63A)



- ▲ USED ON BODY TYPES 62A, 65A
- USED ON BODY TYPES 54A, 75A

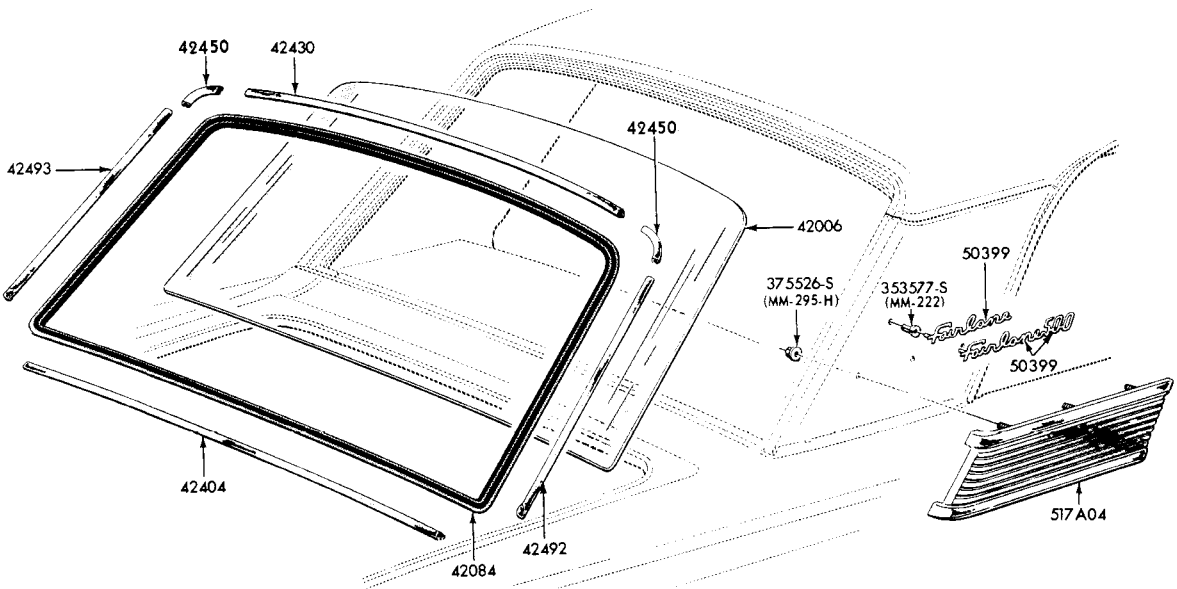
P-3347

1961/63 TYPICAL BACK WINDOW & RELATED PARTS - BODY TYPES A (54, 62, 65, 75)



P-3348

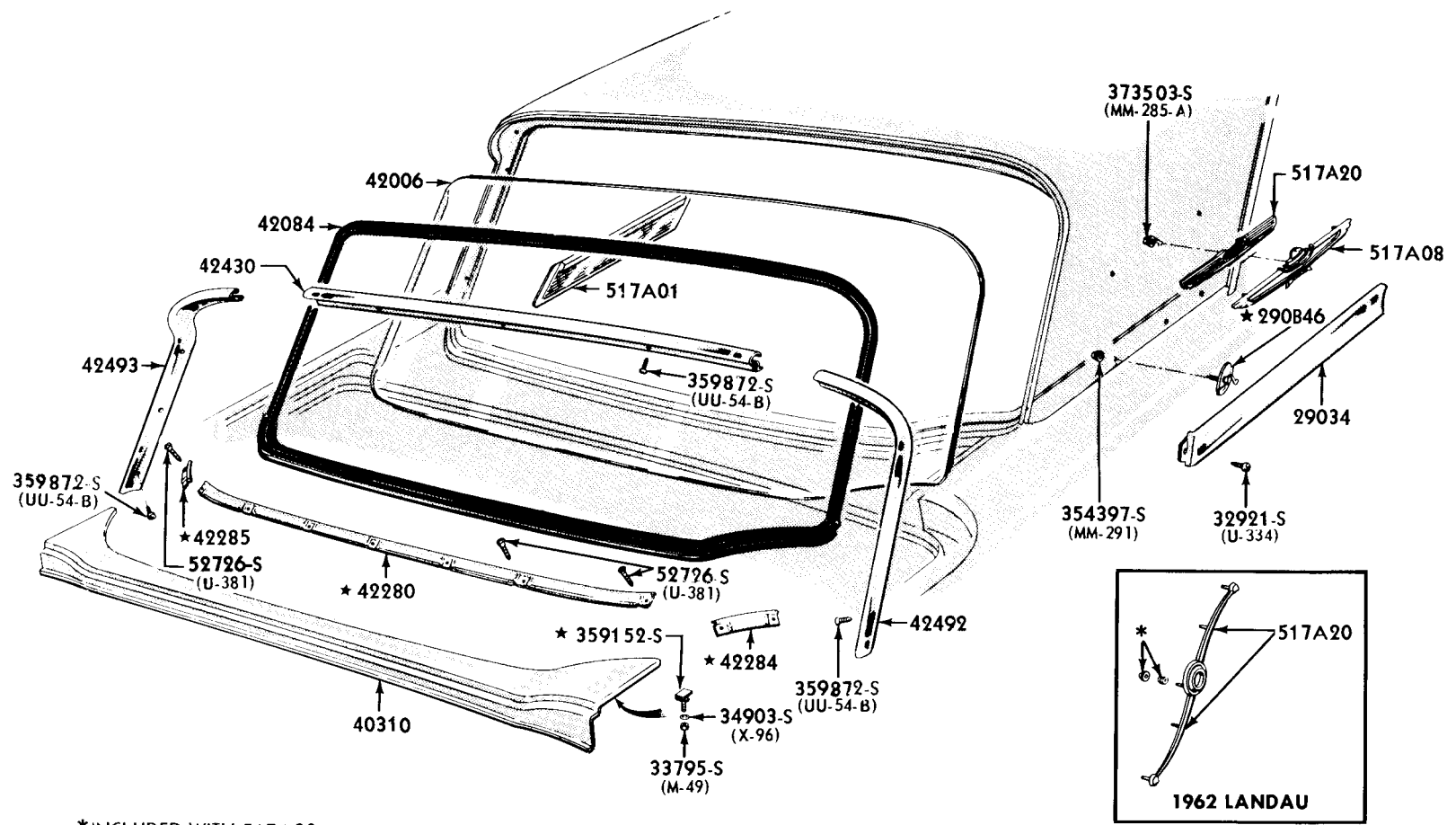
1961 BACK WINDOW & RELATED PARTS - BODY TYPES A (58, 64)



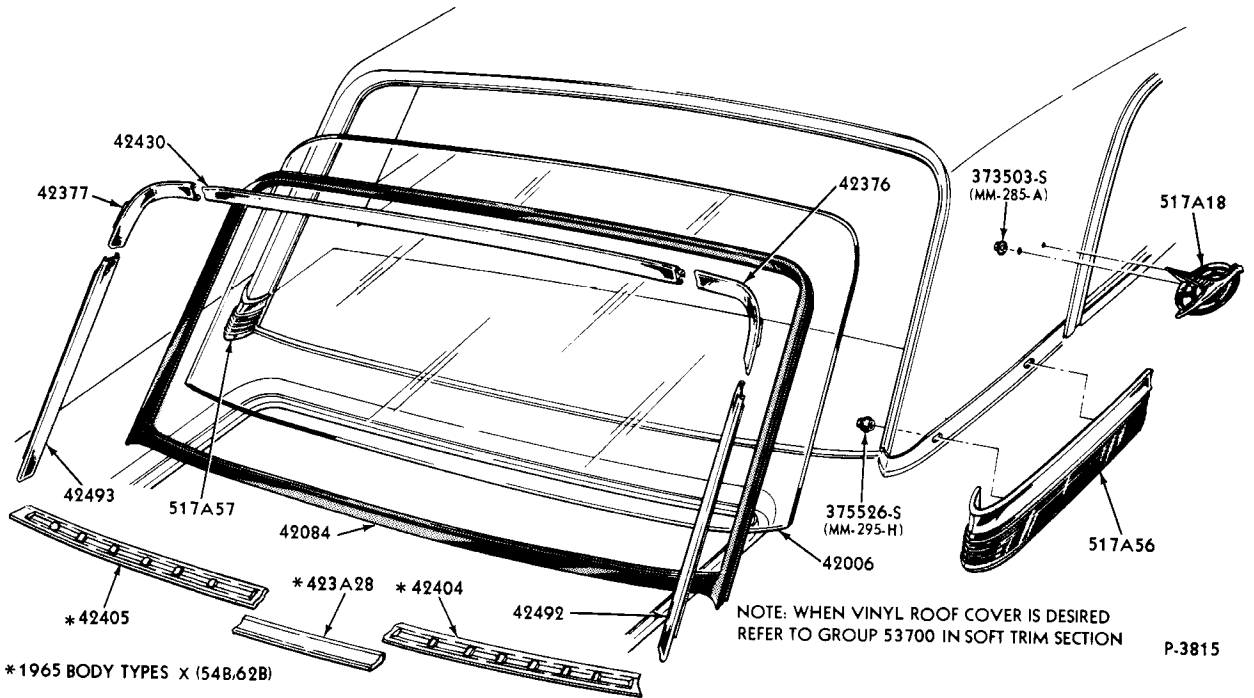
P-3760

1962/ FAIRLANE BACK WINDOW & RELATED PARTS - BODY TYPE B(54, 62)-TYPICAL

1961/63 THUNDERBIRD BACK WINDOW & RELATED PARTS-BODY TYPE S (63)



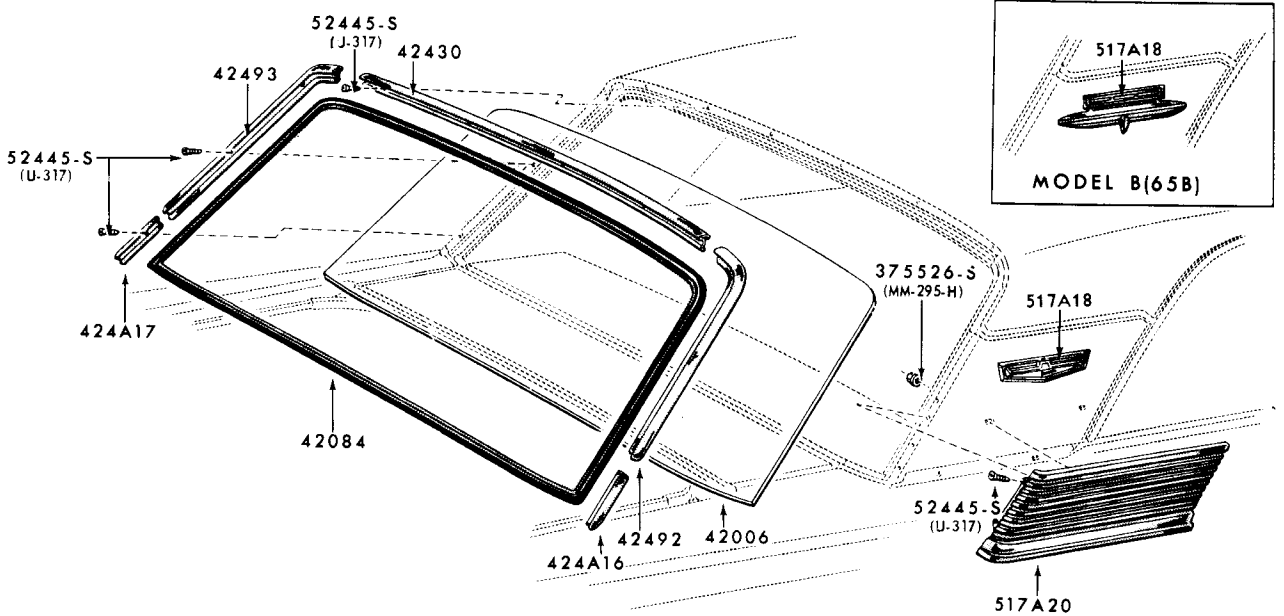
*INCLUDED WITH 517A20



*1965 BODY TYPES X (54B,62B)

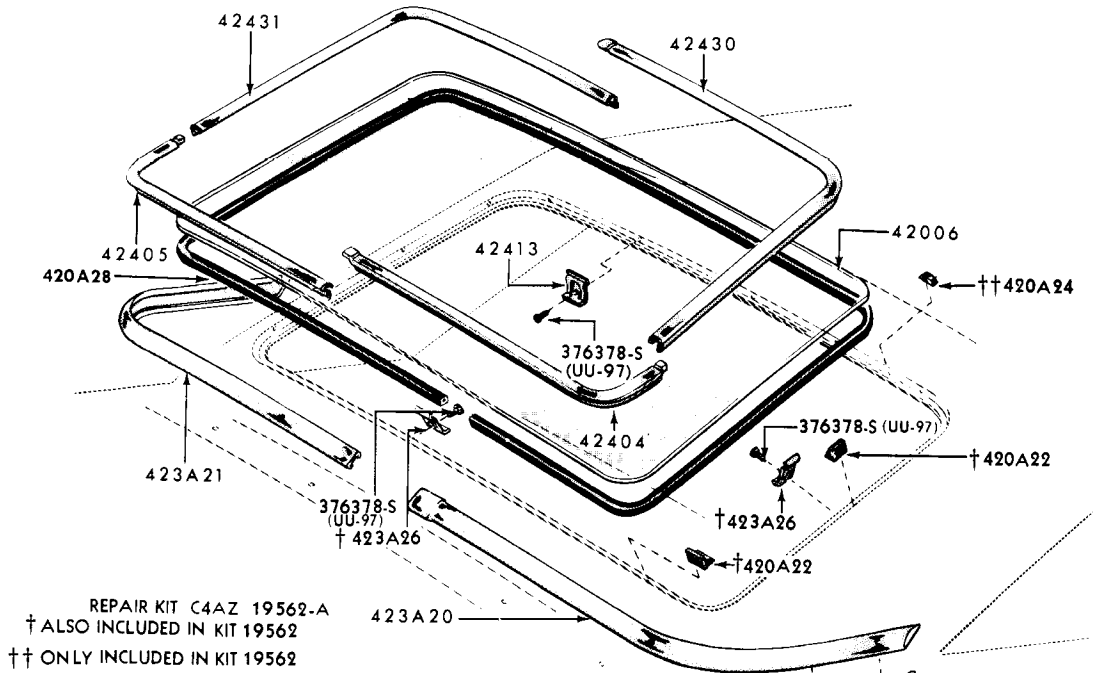
1962 FALCON BACK WINDOW & RELATED PARTS - BODY TYPE X(62C)

1963/ FALCON BACK WINDOW & RELATED PARTS - BODY TYPE X(54, 62) - TYPICAL

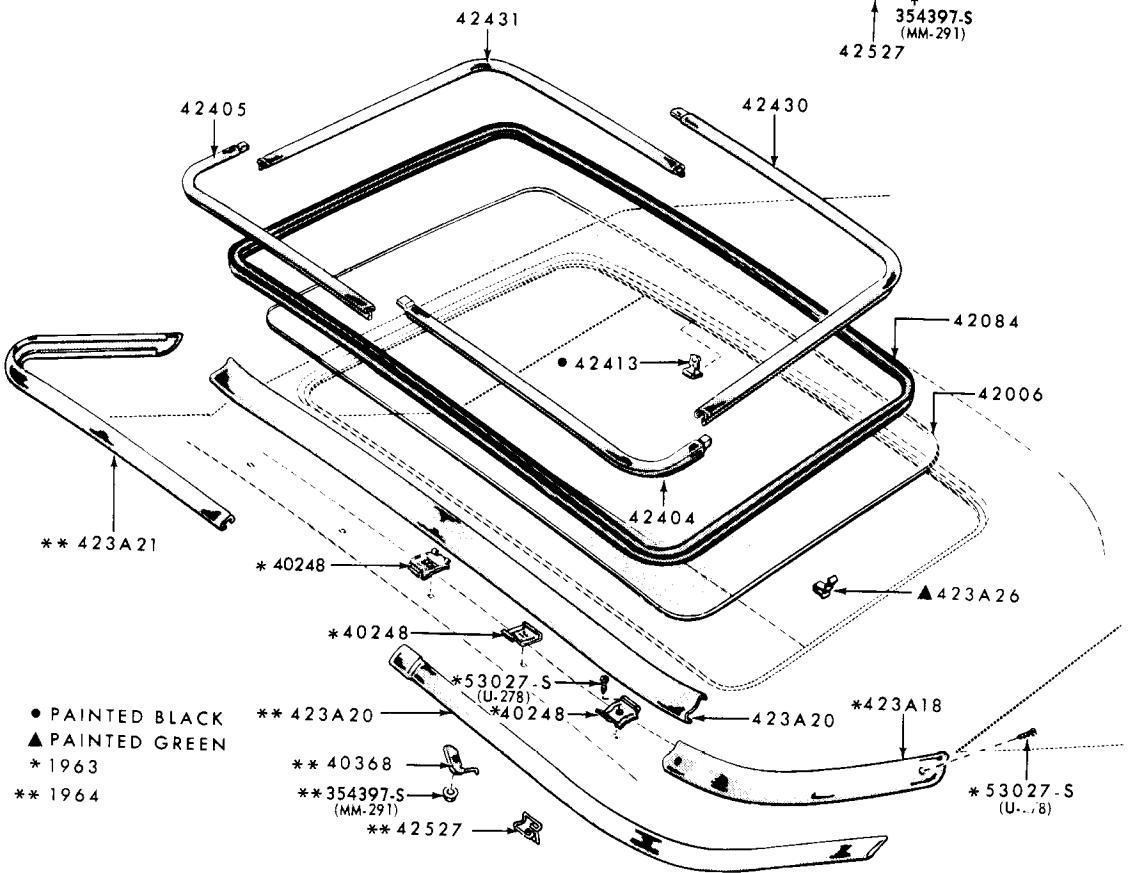


P-4037

1963/ FAIRLANE BACK WINDOW & RELATED PARTS - BODY TYPE B (65)

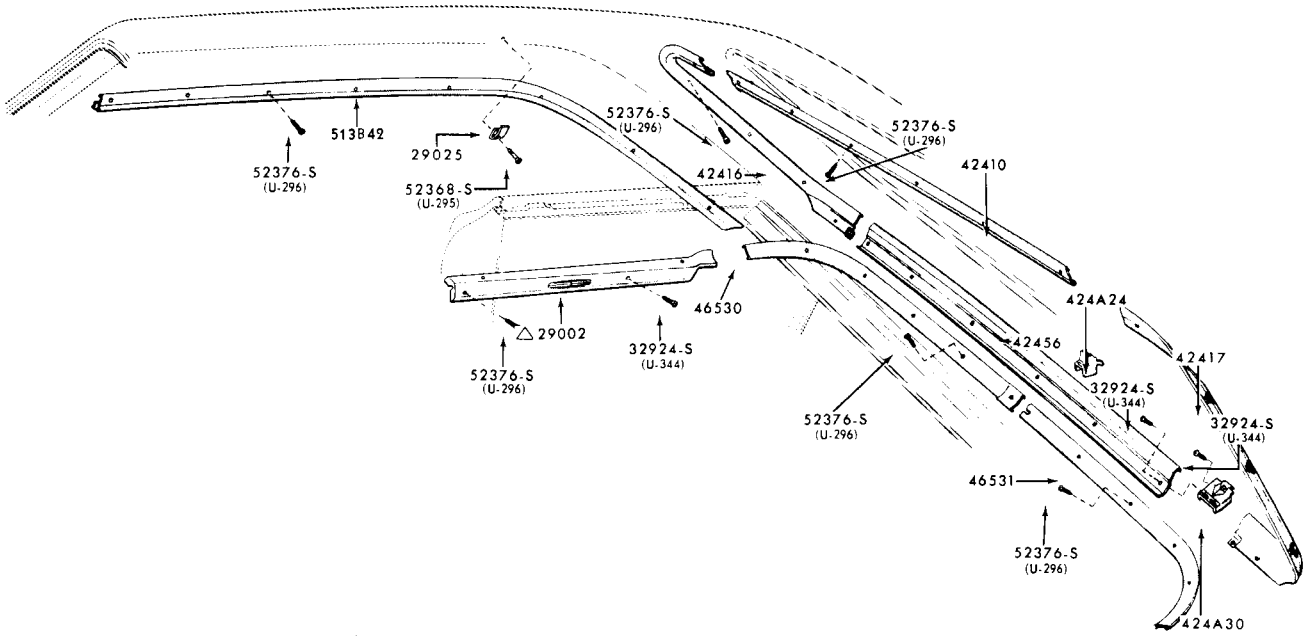


1964 ADHESIVE INSTALLATION



WEATHERSTRIP INSTALLATION

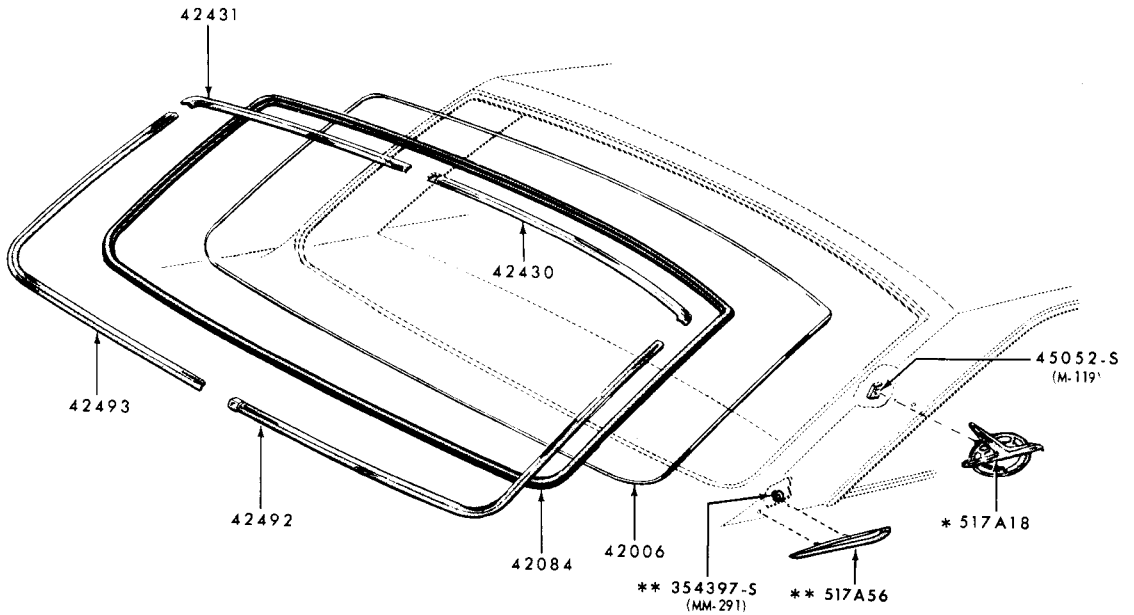
- PAINTED BLACK
- ▲ PAINTED GREEN
- * 1963
- ** 1964



△ 1963 MODEL A(63B) FOR A(63C) AND 1964 A(63B,63C) USE #31012.3
 * REFER TO SOFT TRIM SECTION

P-4089

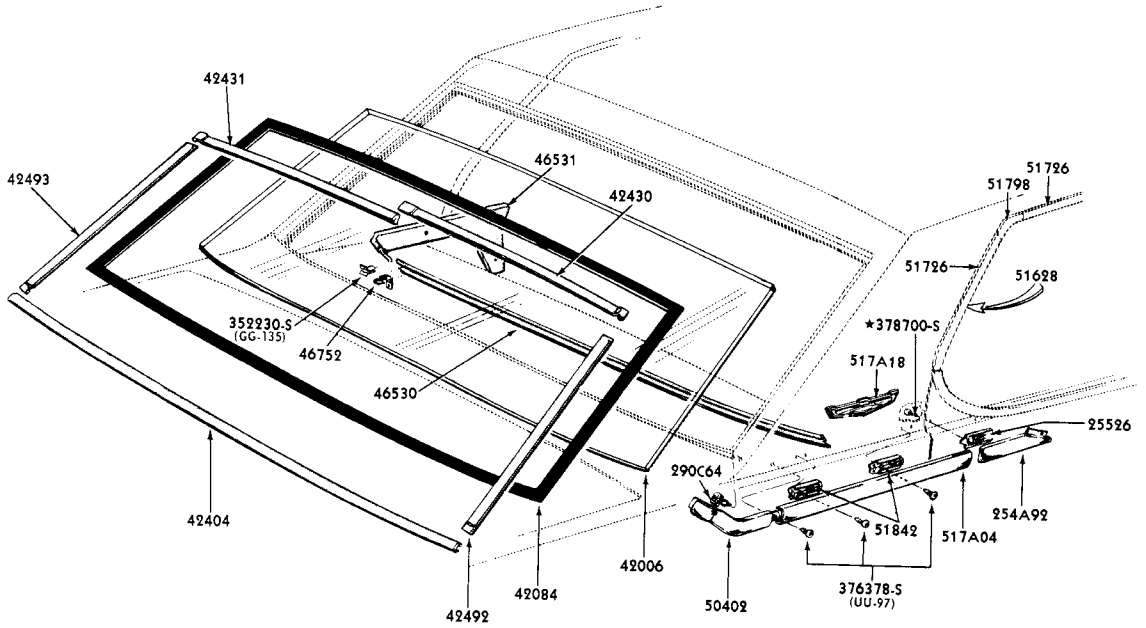
1963/64 BACK WINDOW & BODY SIDE INSIDE MOULDINGS - BODY TYPE A(63) - TYPICAL



* 1963 UNITS
 ** 1964/ UNITS

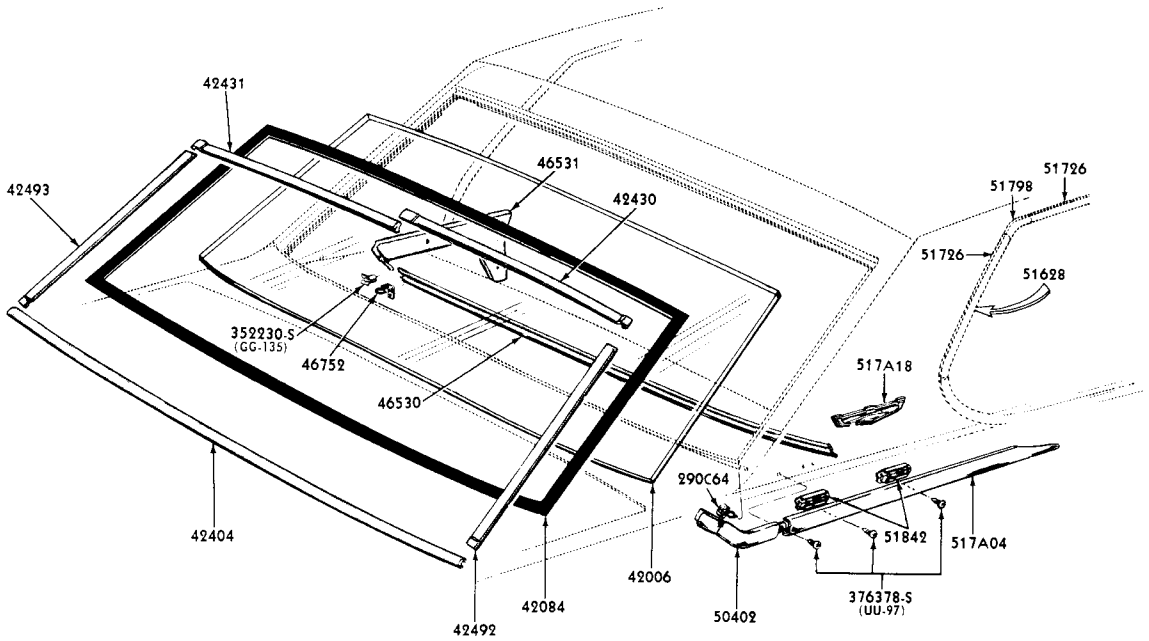
P-3982

1963/ FALCON BACK WINDOW & RELATED PARTS - BODY TYPE X(63) - TYPICAL



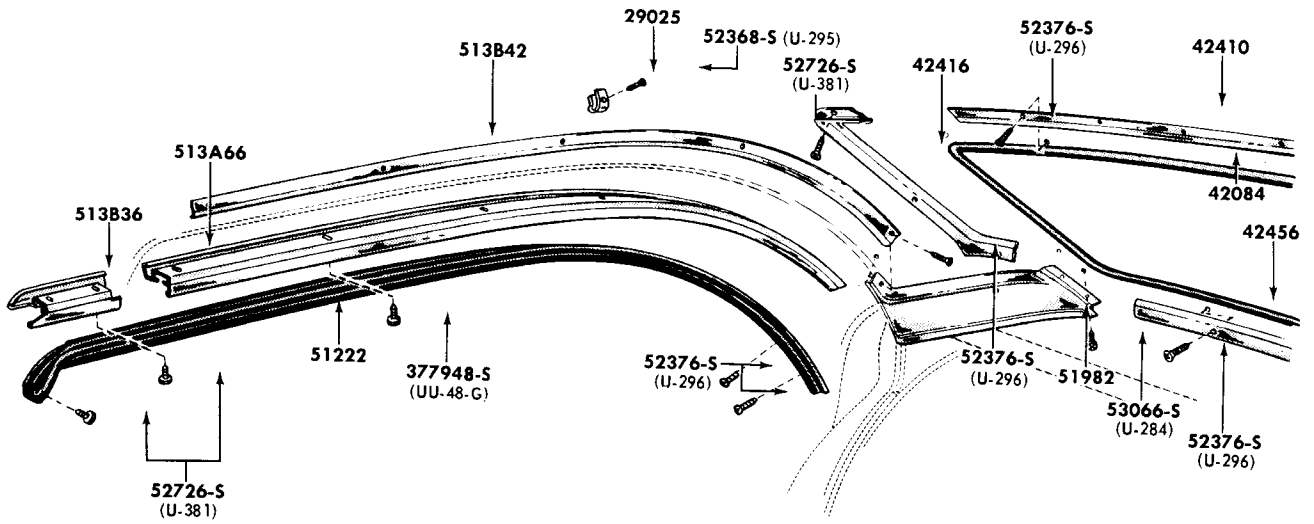
P-4347

1964 BACK WINDOW & RELATED PARTS - BODY TYPE A(54)



P-4392

1964 BACK WINDOW & RELATED PARTS - BODY TYPE A(62)

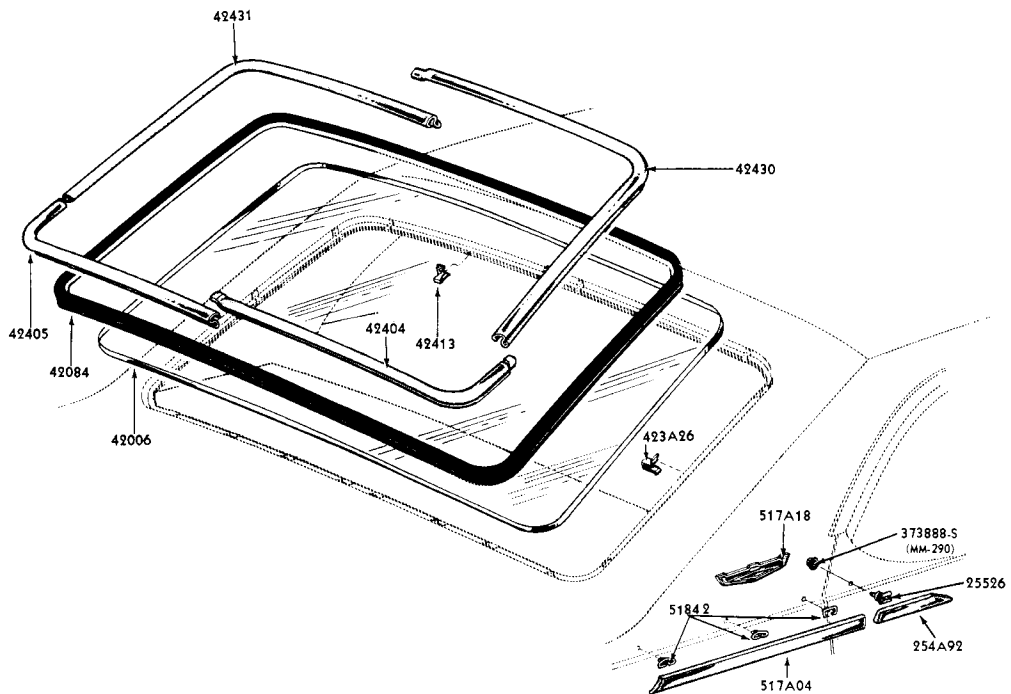


INSIDE

P-4356

INSIDE

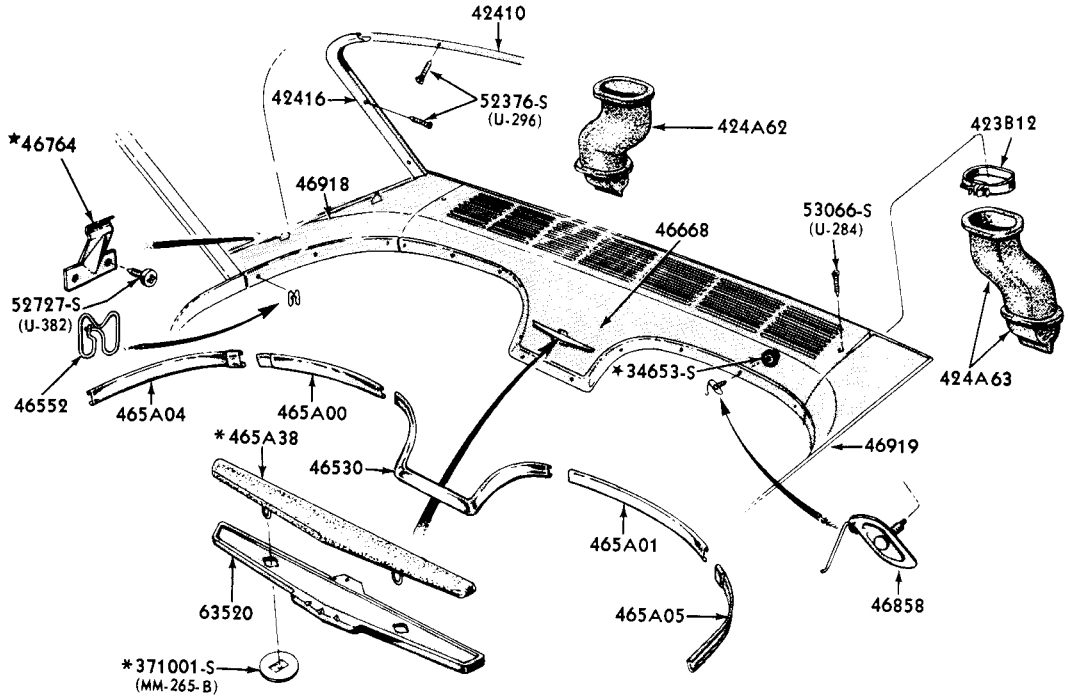
1964 BACK WINDOW & ROOF SIDE MOULDING, WEATHERSTRIP & RELATED PARTS - BODY TYPE A(57)



OUTSIDE

P-4348

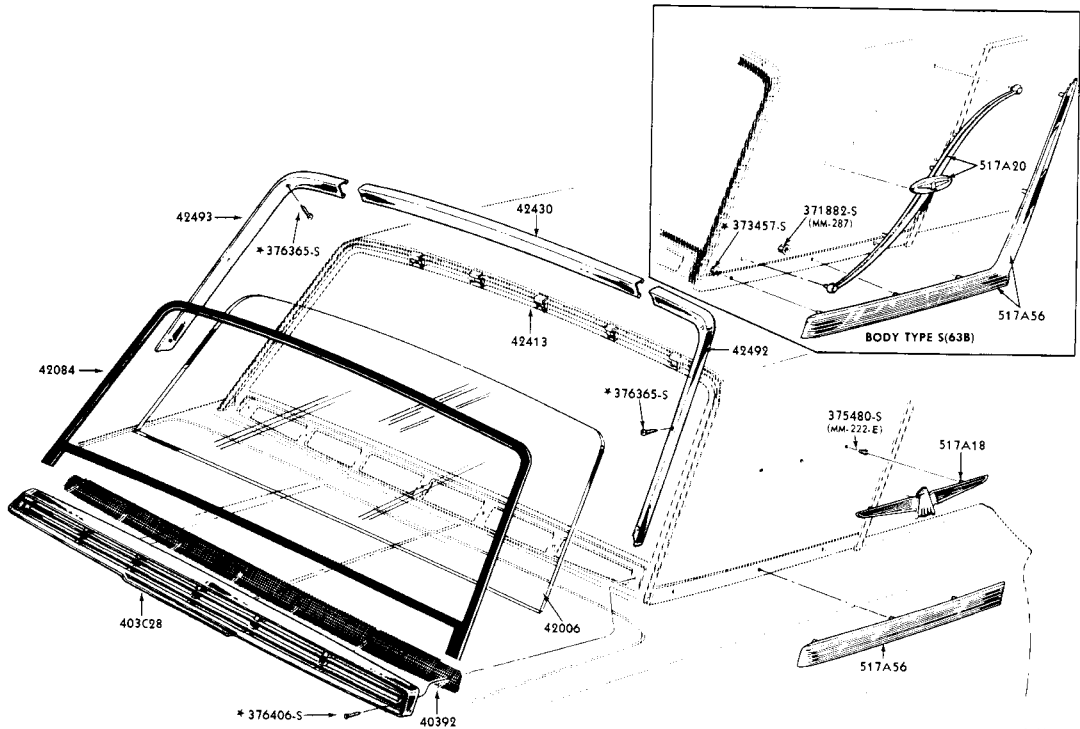
1964 BACK WINDOW & RELATED PARTS - BODY TYPE A(57)



* REFER TO SOFT TRIM SECTION

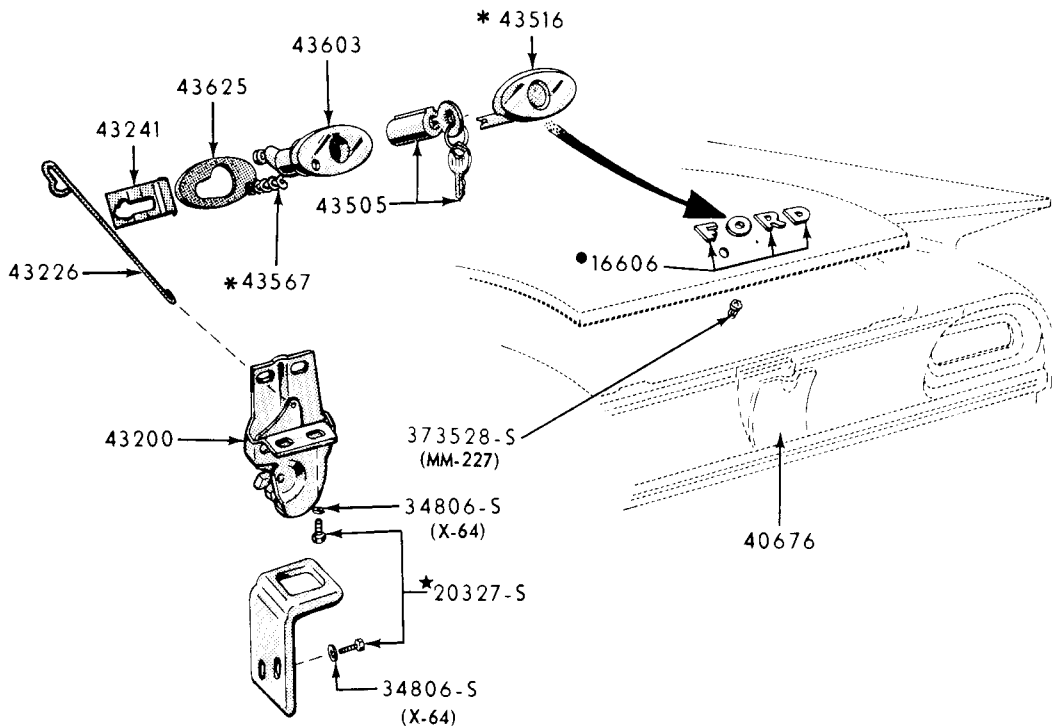
P-4350

INSIDE



P-4349

OUTSIDE

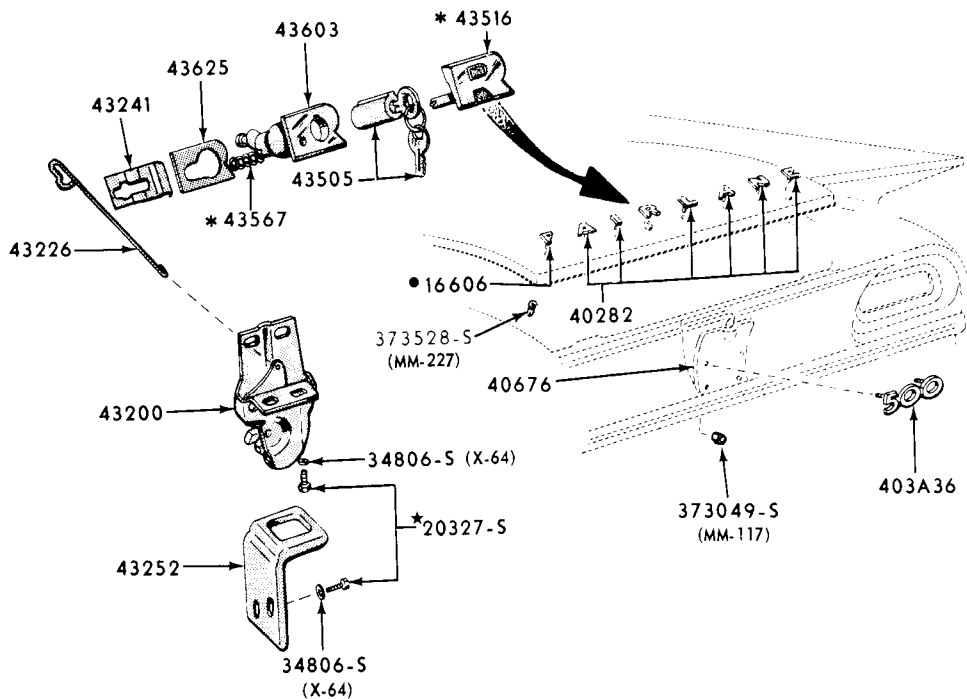


* ALSO INCLUDED IN 43603

● REFER TO CHASSIS GROUP

LUGGAGE COMPARTMENT DOOR LATCH and RELATED PARTS
1960 FORD - BODY TYPES 58E, 64F, G

P-3081

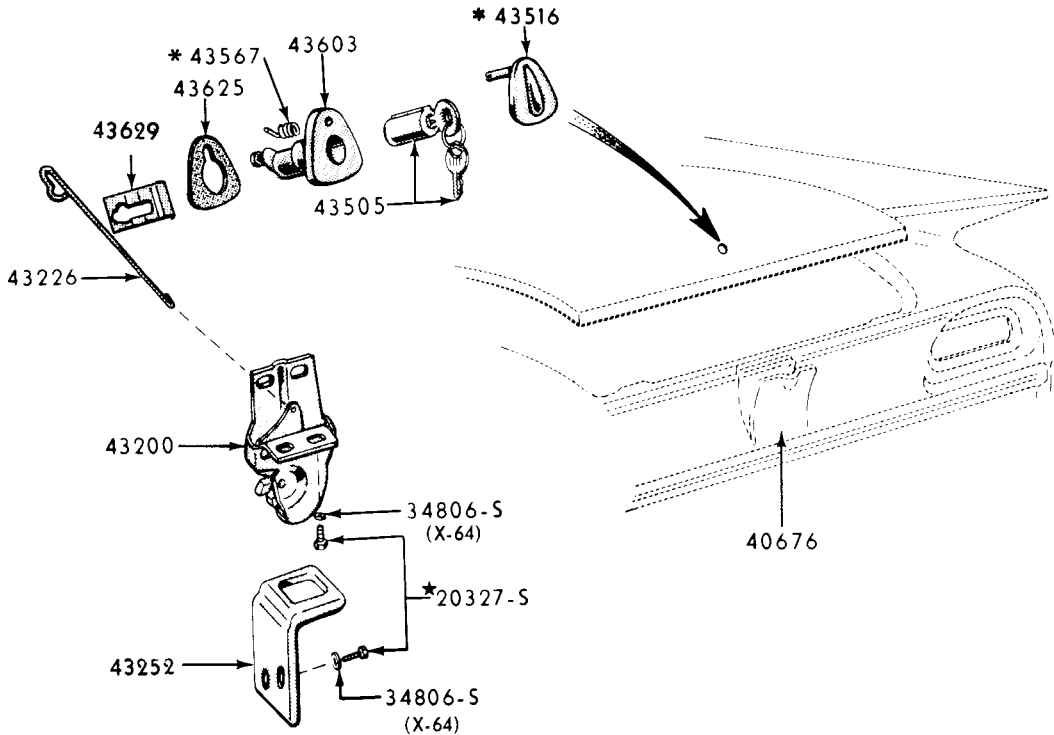


* ALSO INCLUDED IN 43603

● REFER TO CHASSIS GROUP

LUGGAGE COMPARTMENT DOOR LATCH and RELATED PARTS
1960 FORD - BODY TYPES 58A, 64A

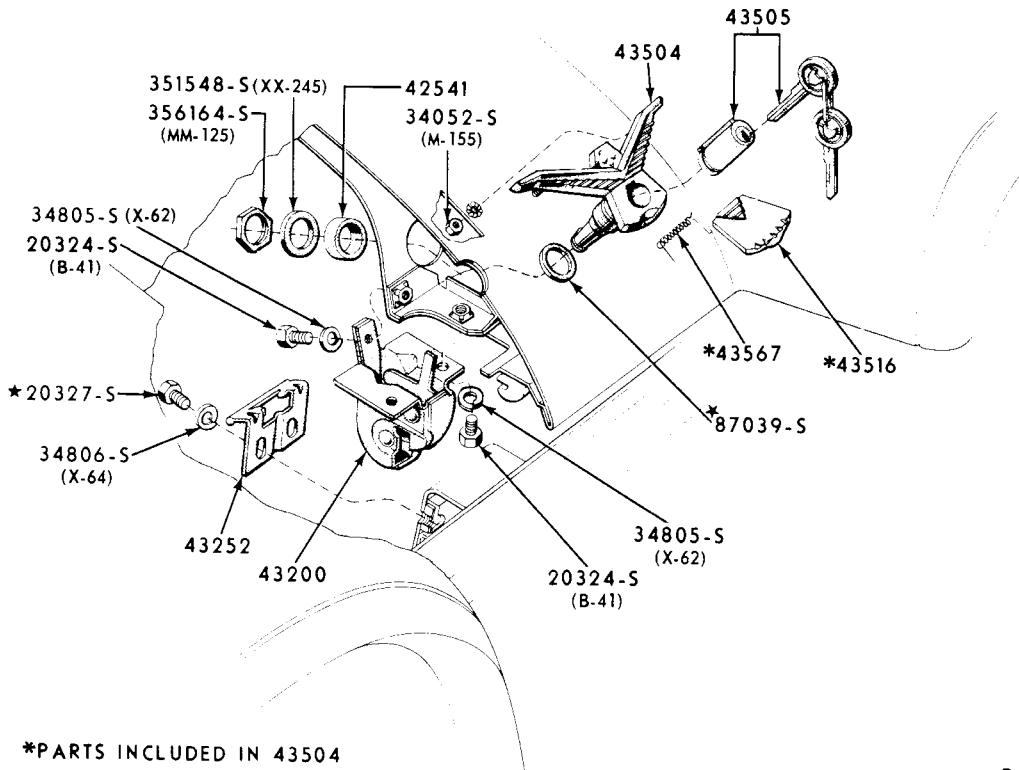
P-3036



* ALSO INCLUDED IN 43603

P-3208

LUGGAGE COMPARTMENT DOOR LATCH and RELATED PARTS
1960 FORD - BODY TYPES 58F, 64H

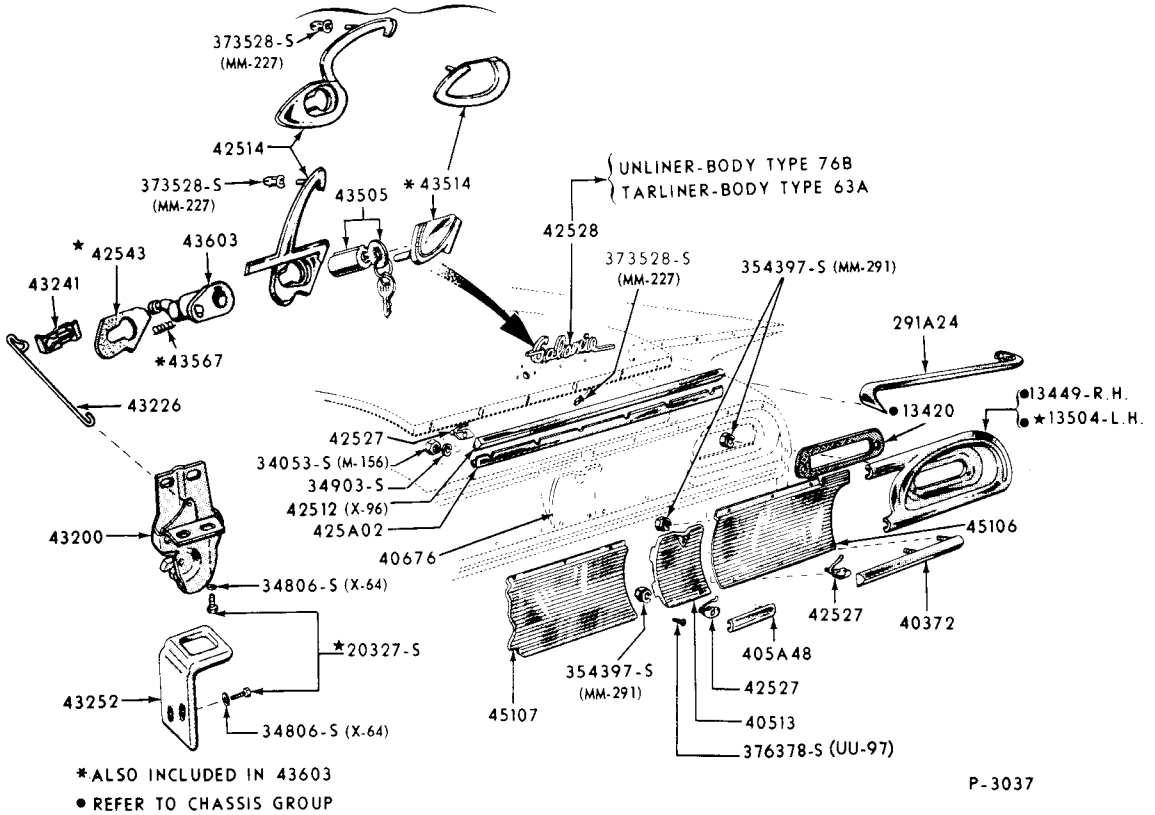


*PARTS INCLUDED IN 43504

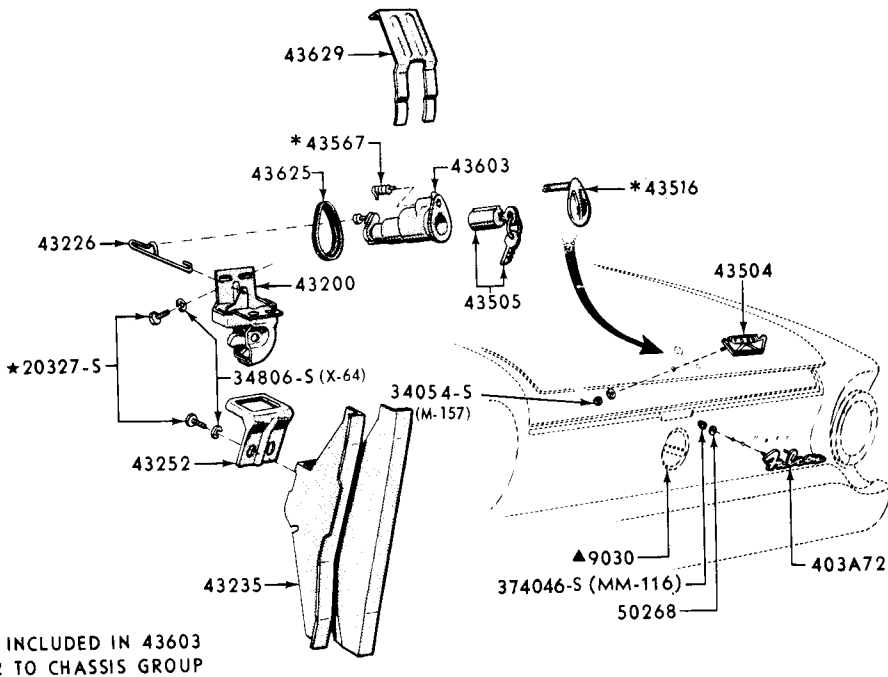
P-2619

LUGGAGE COMPARTMENT DOOR LATCH and RELATED PARTS
1960 THUNDERBIRD - BODY TYPE 63A

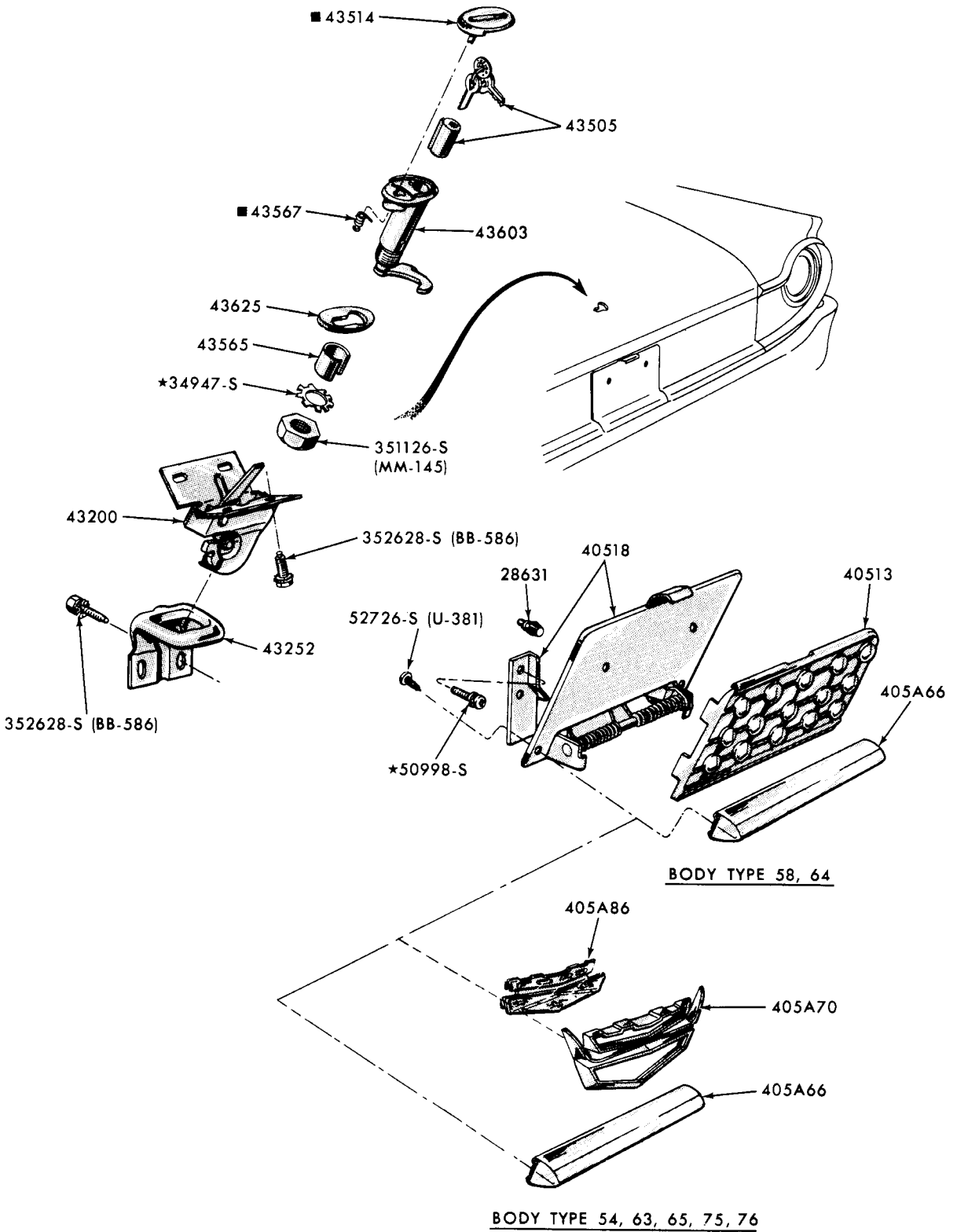
BODY TYPES 63A, 76B



LUGGAGE COMPARTMENT DOOR LATCH, MOULDING and RELATED PARTS
1960 FORD-BODY TYPES 54,62,63,75,76



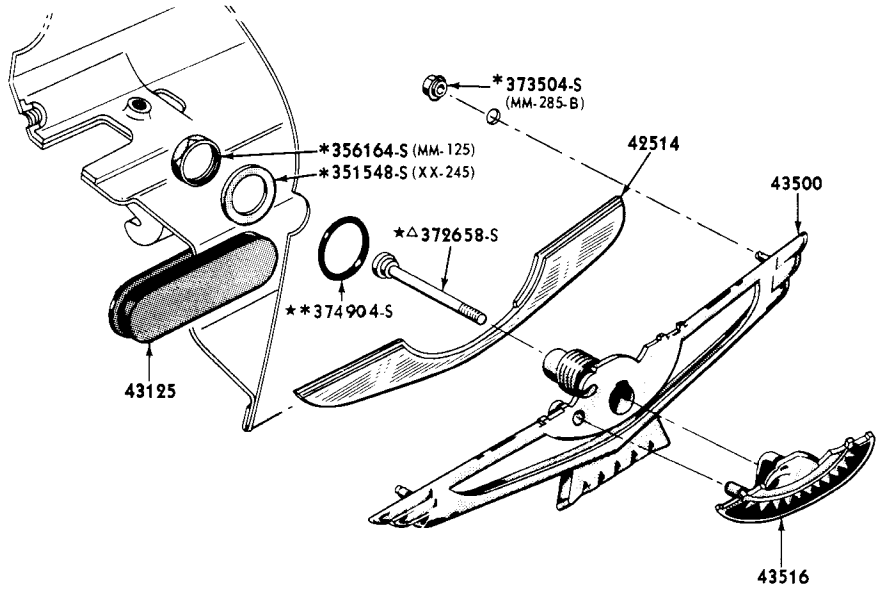
LUGGAGE COMPARTMENT DOOR LOCK and RELATED PARTS
1960/61 FALCON - BODY TYPES 58A, 64A



■ ALSO SERVICED IN ASSEMBLY—GROUP 43603

P-3351

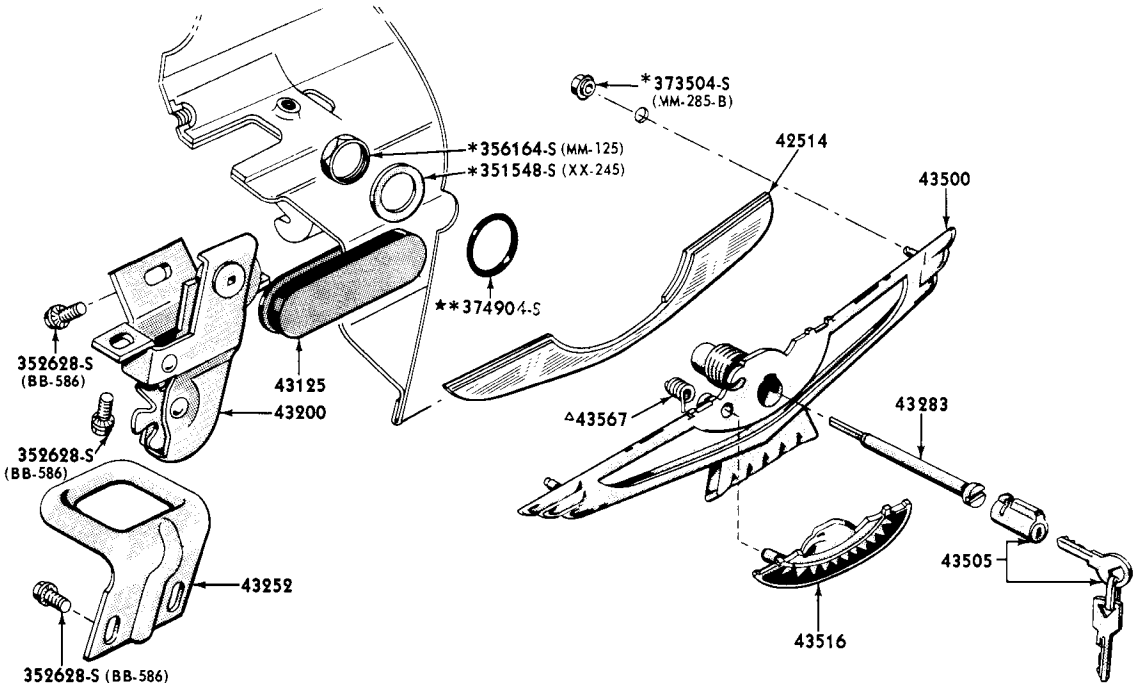
LUGGAGE COMPARTMENT DOOR LATCH and RELATED PARTS
1961 FORD - BODY TYPES 54,58,63,64,65,75,76



* ALSO INCLUDED WITH 43500
Δ INCLUDED WITH 43516

P-3354

1961/63 THUNDERBIRD LUGGAGE COMPARTMENT DOOR ORNAMENT-BODY TYPE S (76)

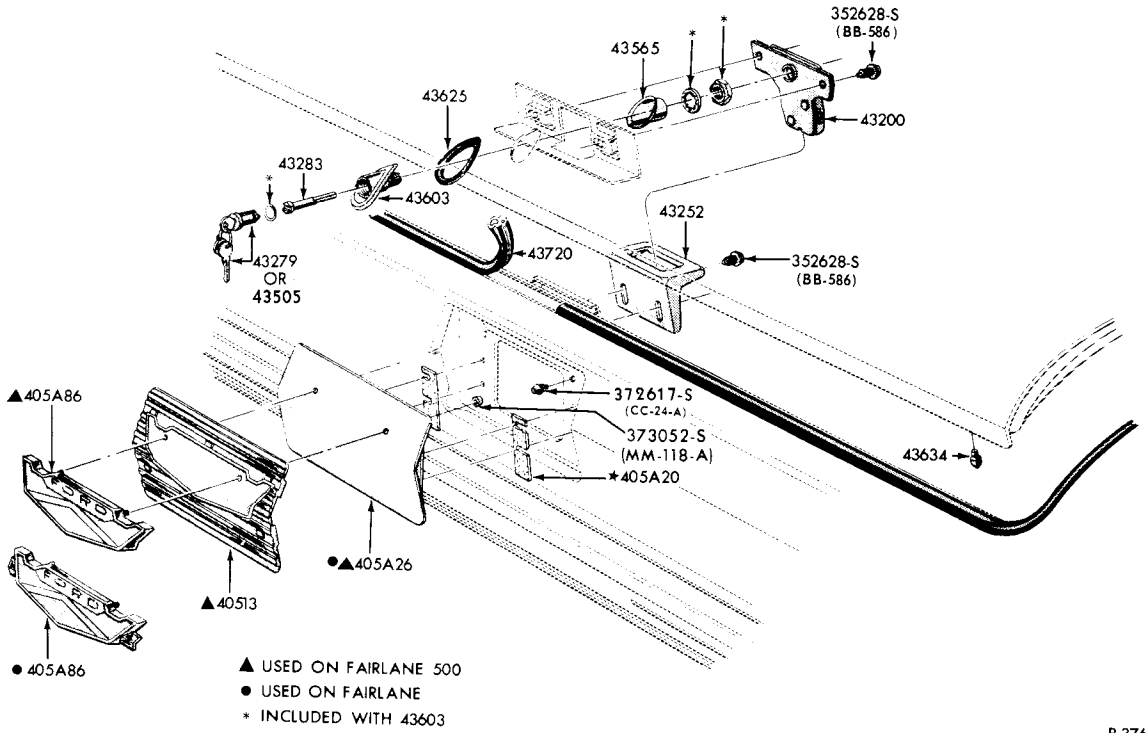


* ALSO INCLUDED WITH 43500
Δ ALSO INCLUDED WITH 43516

P-3355

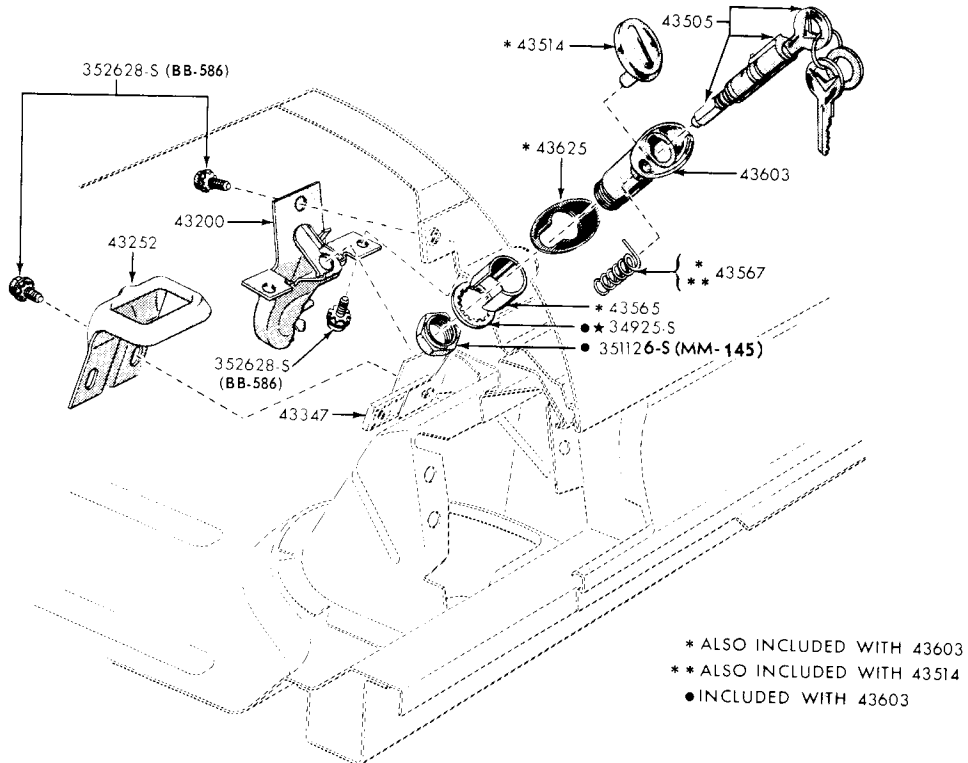
1961/63 THUNDERBIRD LUGGAGE COMPARTMENT DOOR LOCK & RELATED PARTS-BODY TYPE S(63)

BODY ILLUSTRATION SECTION 430 FORD CAR PARTS

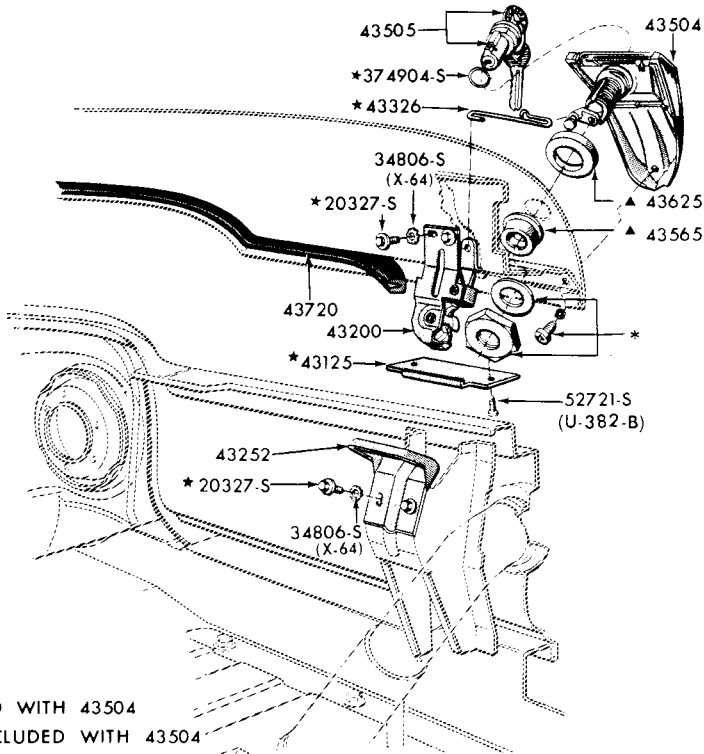


P-3761

1962/63 FAIRLANE TYPICAL LUGGAGE COMPARTMENT DOOR LOCK & RELATED PARTS - BODY TYPES B (except 71)



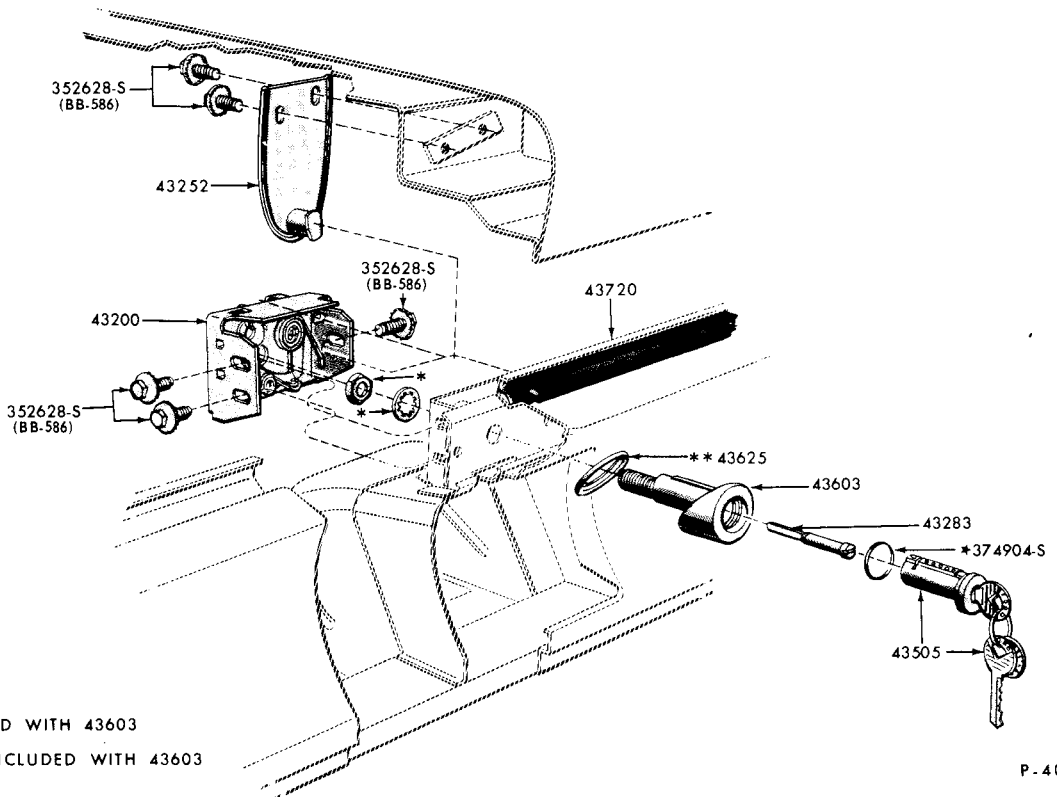
P-3791



* INCLUDED WITH 43504
▲ ALSO INCLUDED WITH 43504

P-4043

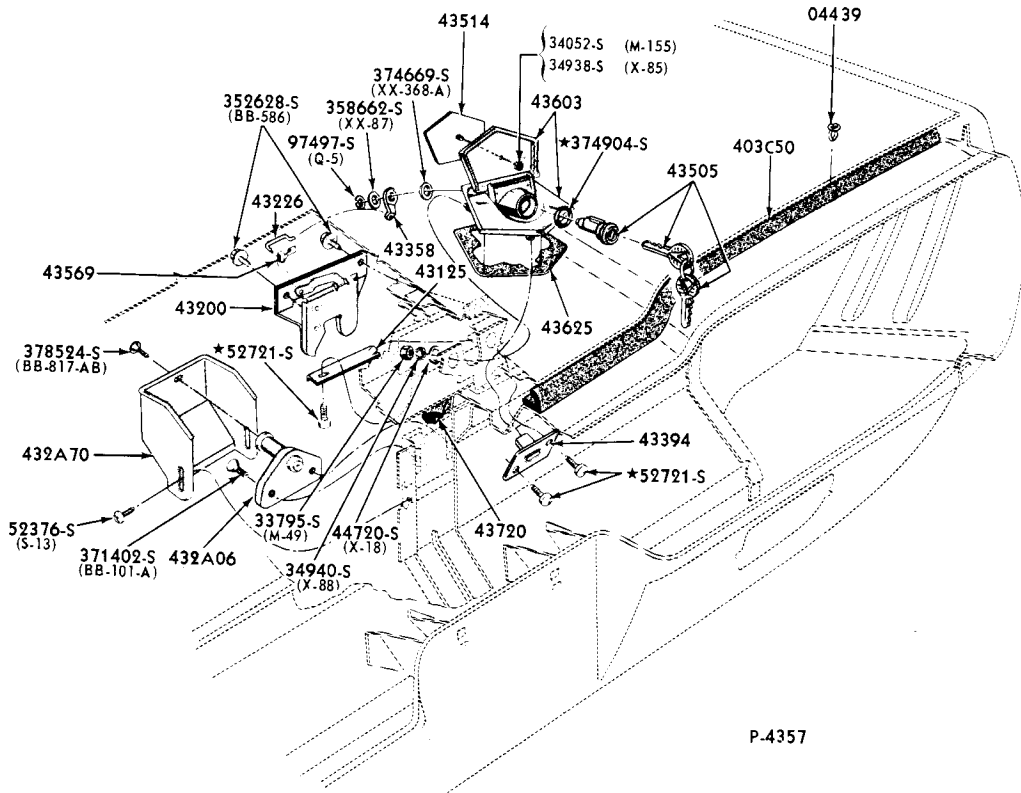
1962/63 FALCON LUGGAGE COMPARTMENT DOOR LOCK & RELATED PARTS - BODY TYPES X(except 59, 66, 71, 78)



* INCLUDED WITH 43603
** ALSO INCLUDED WITH 43603

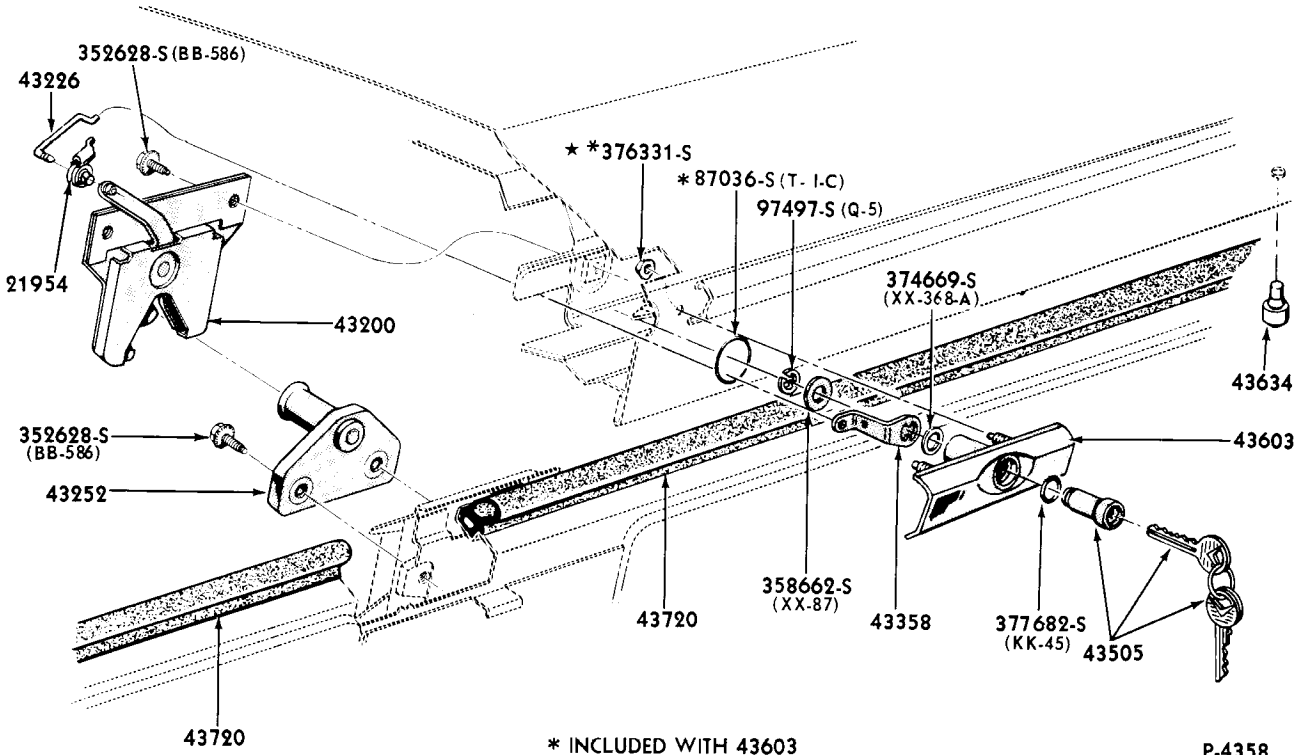
P. 4042

1963 LUGGAGE COMPARTMENT DOOR LOCK & RELATED PARTS - BODY TYPES A (except 71)



P-4357

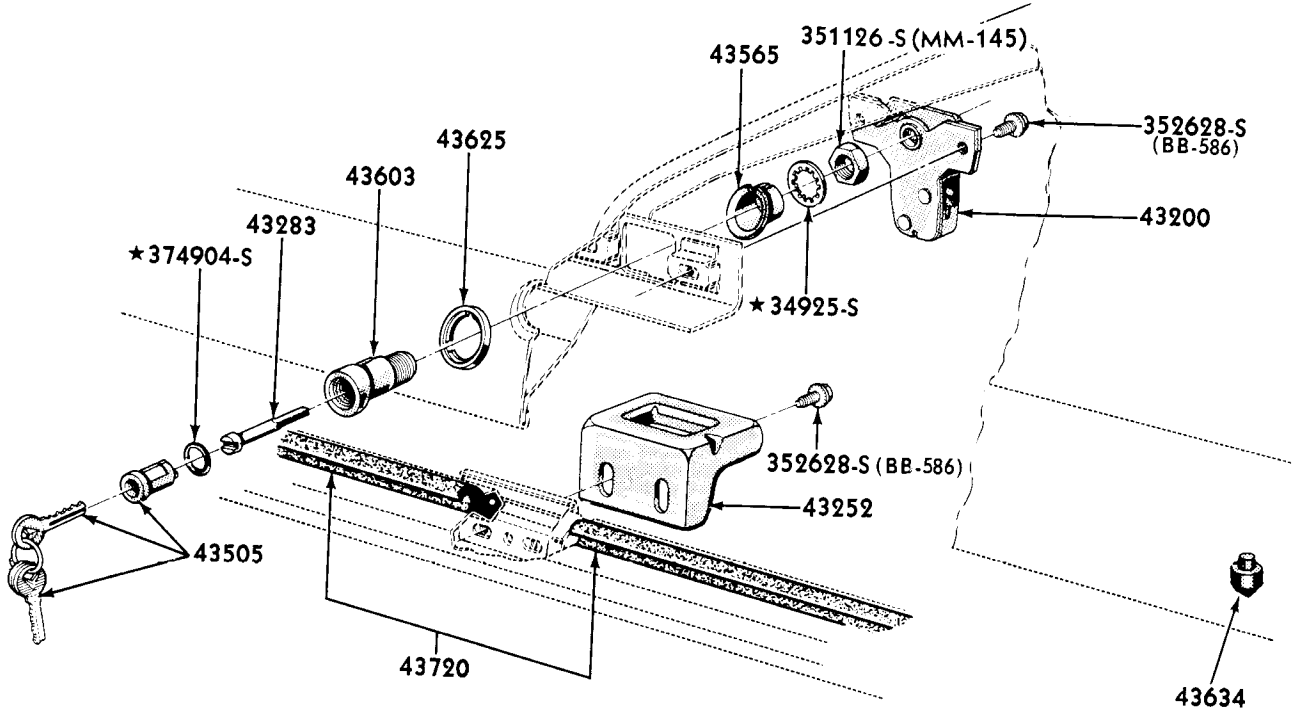
1964/ THUNDERBIRD HARD TOP LUGGAGE COMPARTMENT DOOR LOCK & RELATED PARTS - BODY TYPE S(63)



* INCLUDED WITH 43603

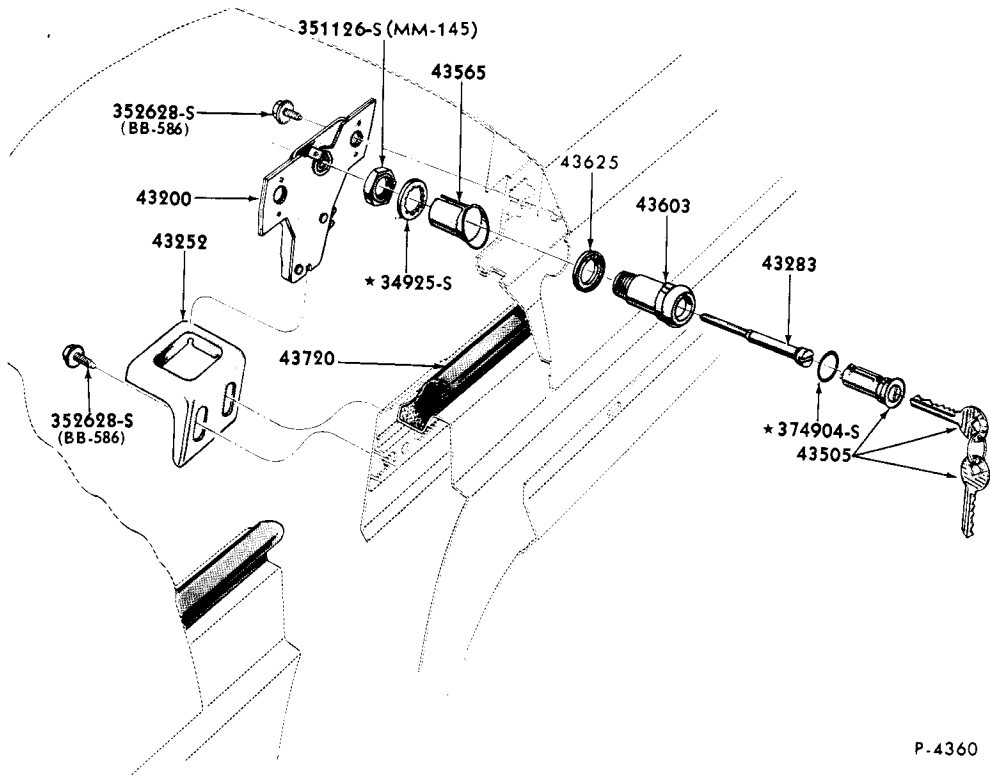
P-4358

1964 LUGGAGE COMPARTMENT DOOR LOCK & RELATED PARTS - BODY TYPES A(EXCEPT 71)



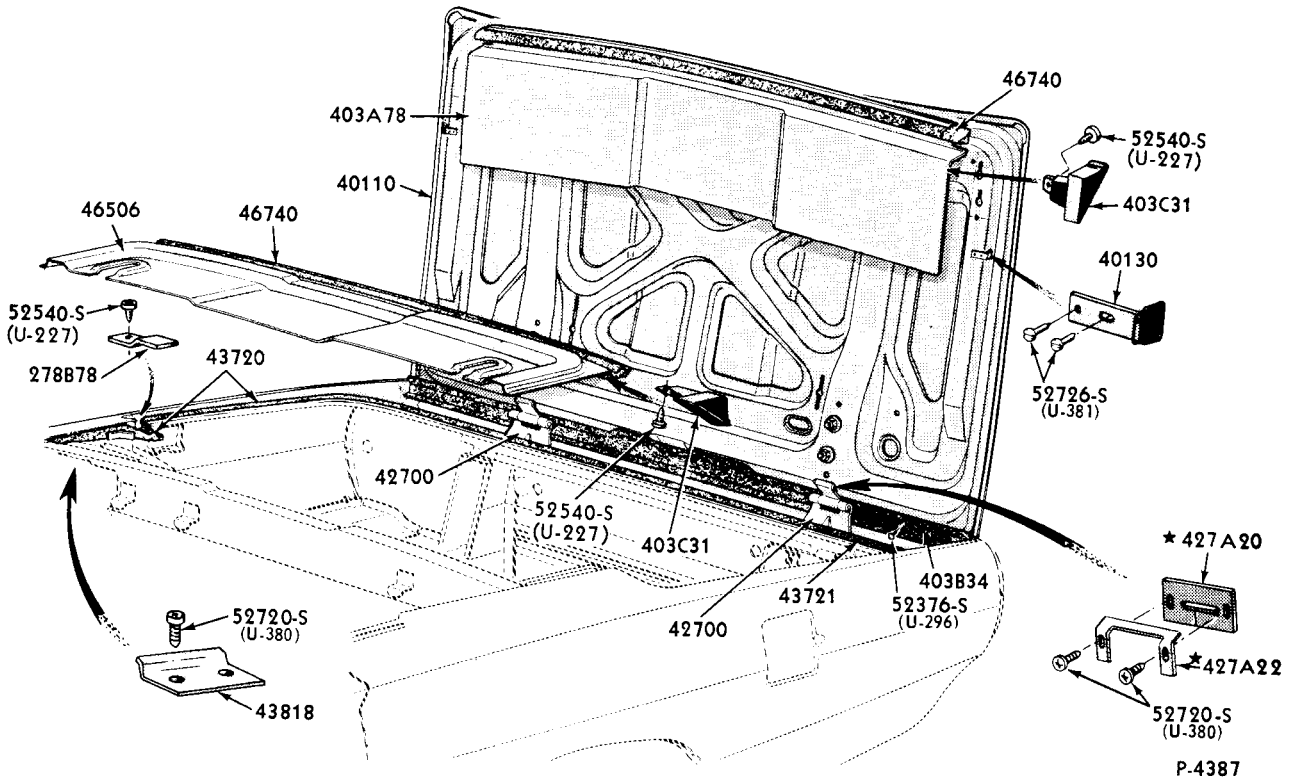
P-4359

1964/ FAIRLANE LUGGAGE COMPARTMENT DOOR LOCK & RELATED PARTS-BODY TYPES B(except 71)- TYPICAL

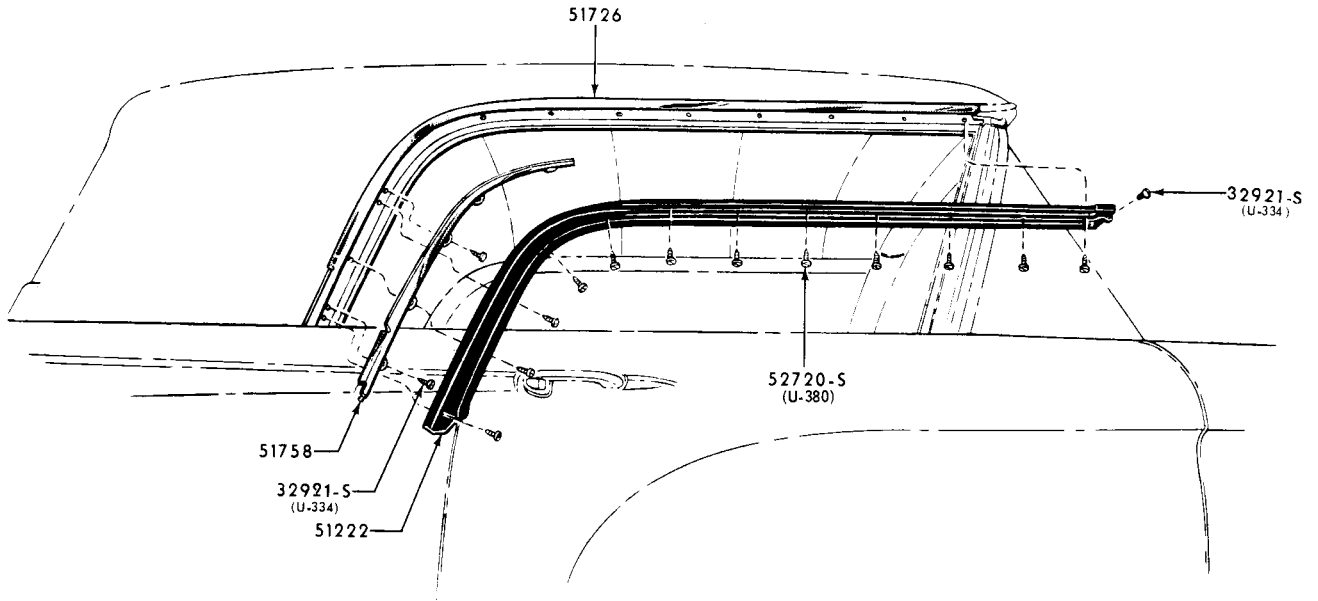


P-4360

1964/ FALCON LUGGAGE COMPARTMENT DOOR LOCK & RELATED PARTS - BODY TYPES X(54, 62, 63, 76)

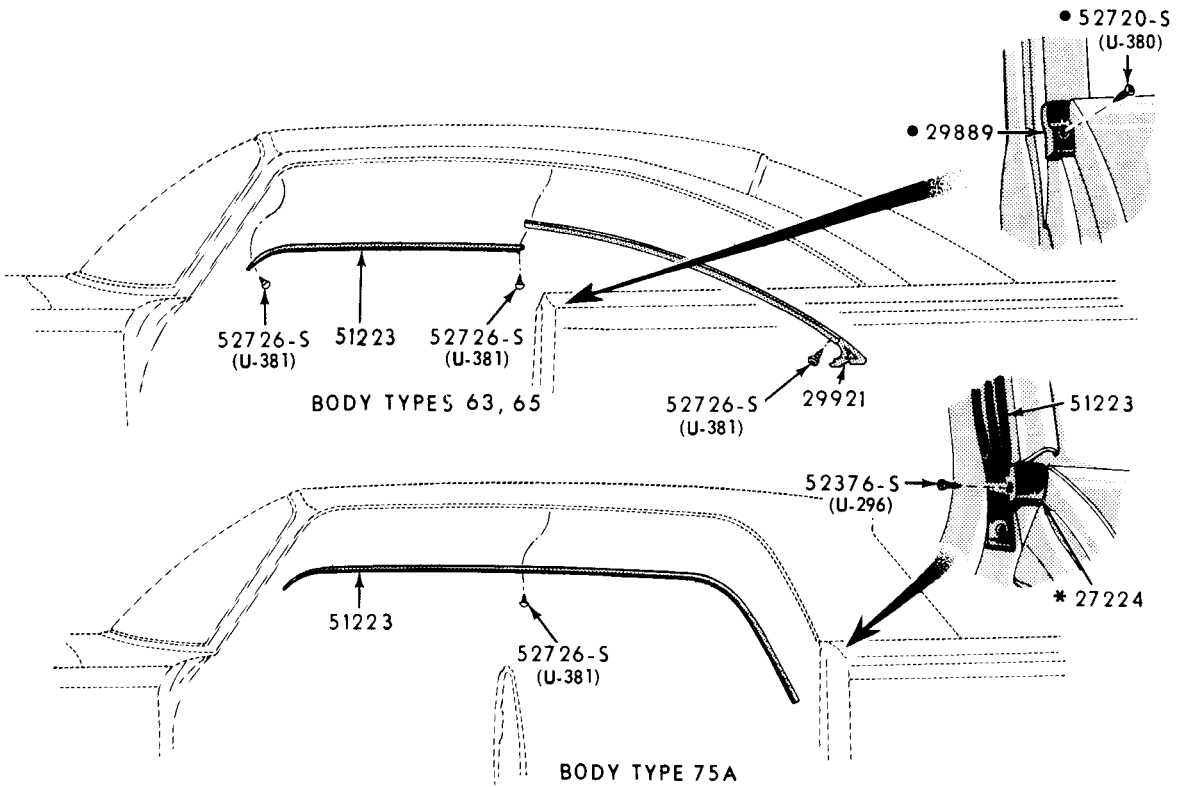


LUGGAGE COMPARTMENT DOOR WEATHERSTRIPS & RELATED PARTS
1964/ THUNDERBIRD-BODY TYPE S(76)



P-2622

1960 THUNDERBIRD ROOF SIDE RAIL WEATHERSTRIP & RELATED PARTS-BODY TYPE 63

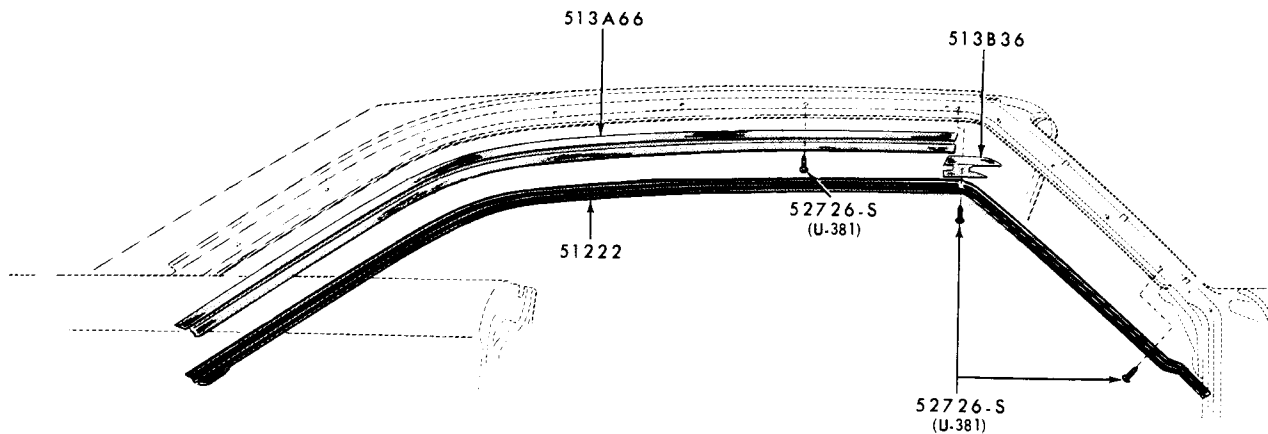


* ALSO USED ON BODY TYPES 54, 58, 71

P-3038

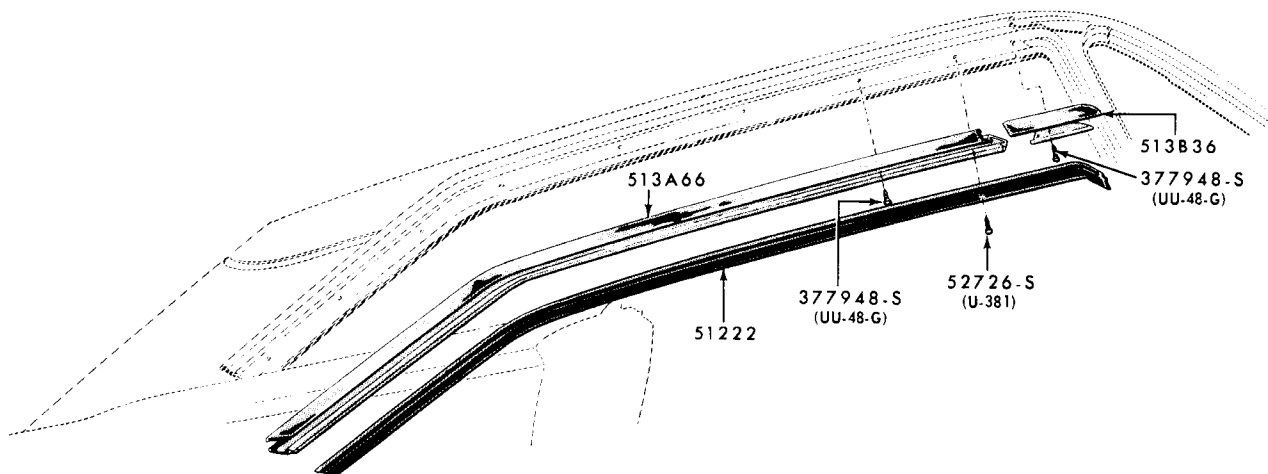
● USED ON BODY TYPES 59, 62, 64, 65, 76 ONLY

ROOF SIDE WEATHERSTRIPS and RELATED PARTS
1960/63 FORD-TYPICAL



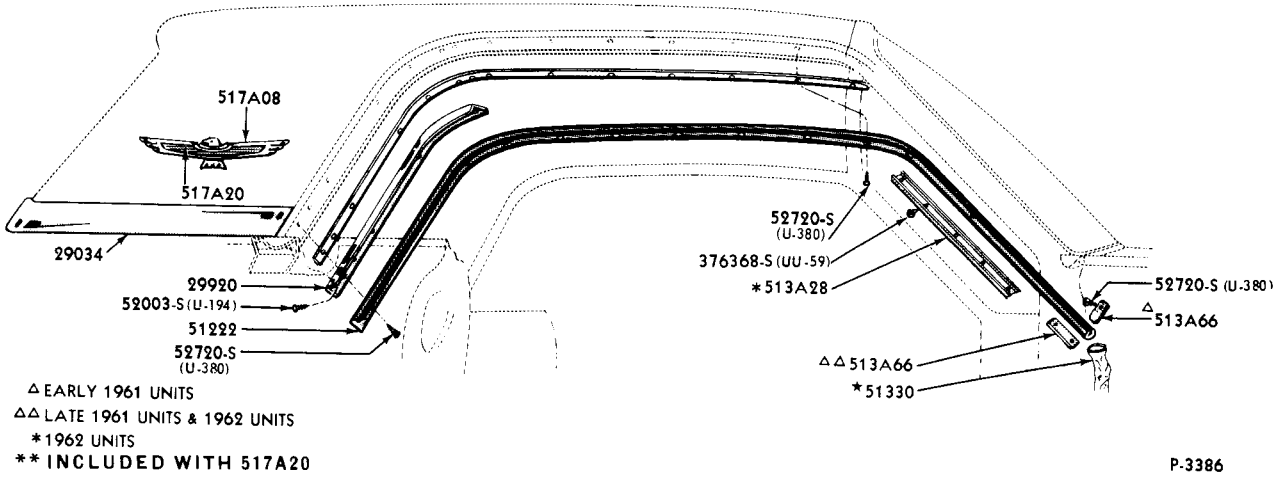
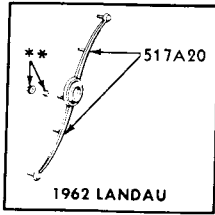
P-4091

ROOF SIDE WEATHERSTRIP and RELATED PARTS
1963/64 FALCON-BODY TYPE 63



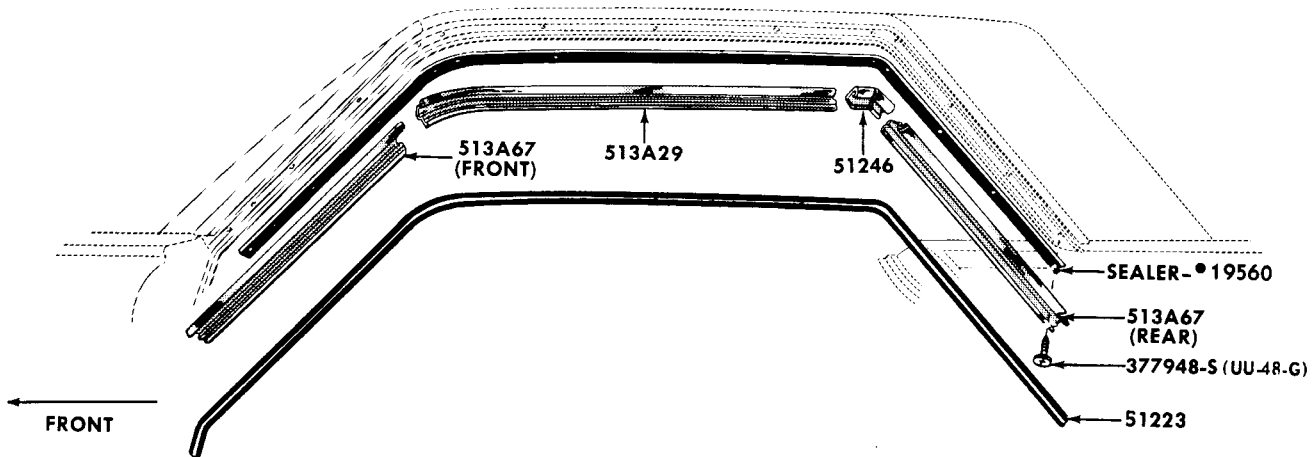
P-3957

ROOF SIDE WEATHERSTRIP and RELATED PARTS
1963/64 FORD-BODY TYPES 57,63



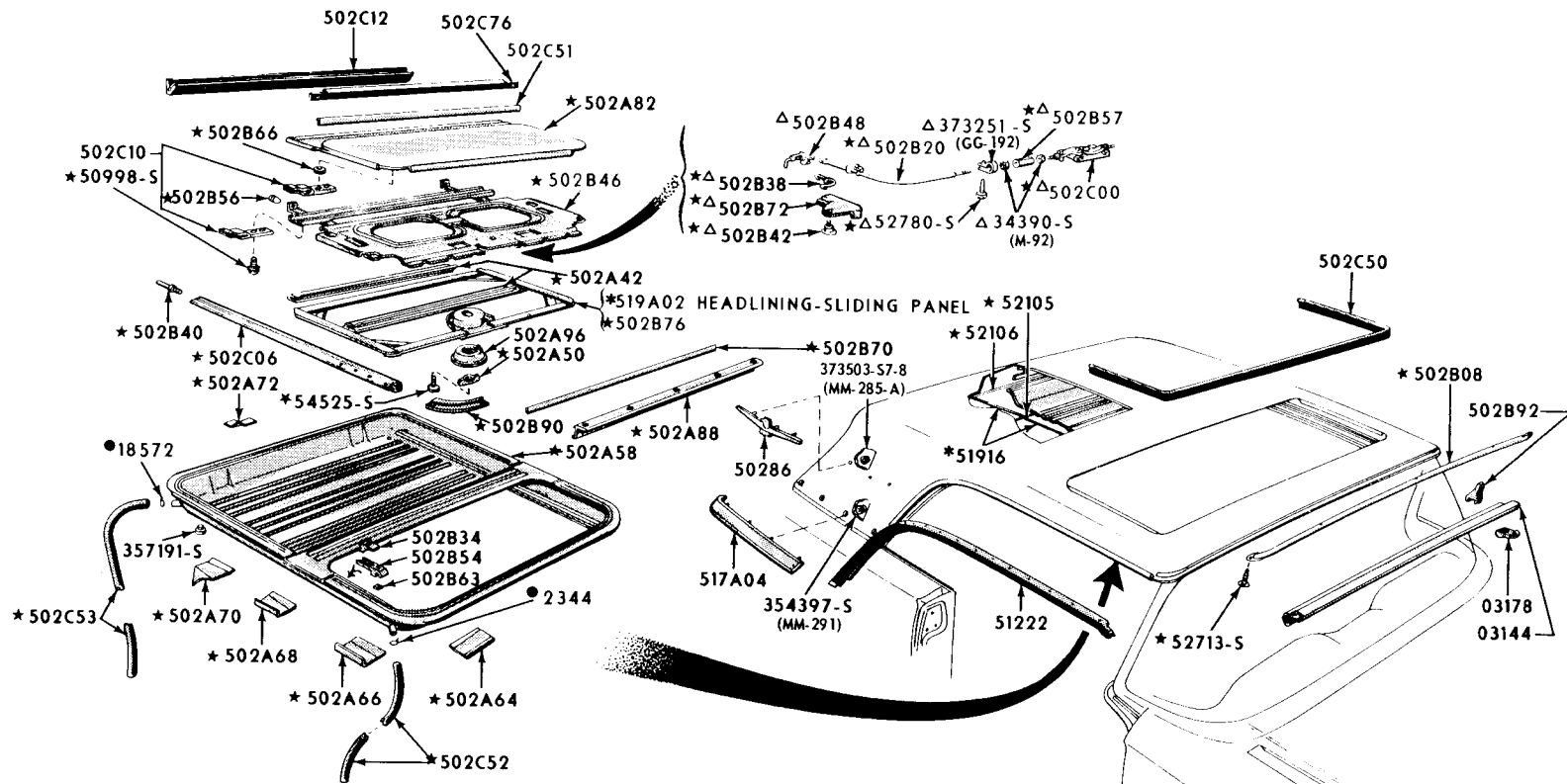
P-3386

1961/63 THUNDERBIRD ROOF SIDE RAIL WEATHERSTRIPS & RELATED PARTS- BODY TYPE 63



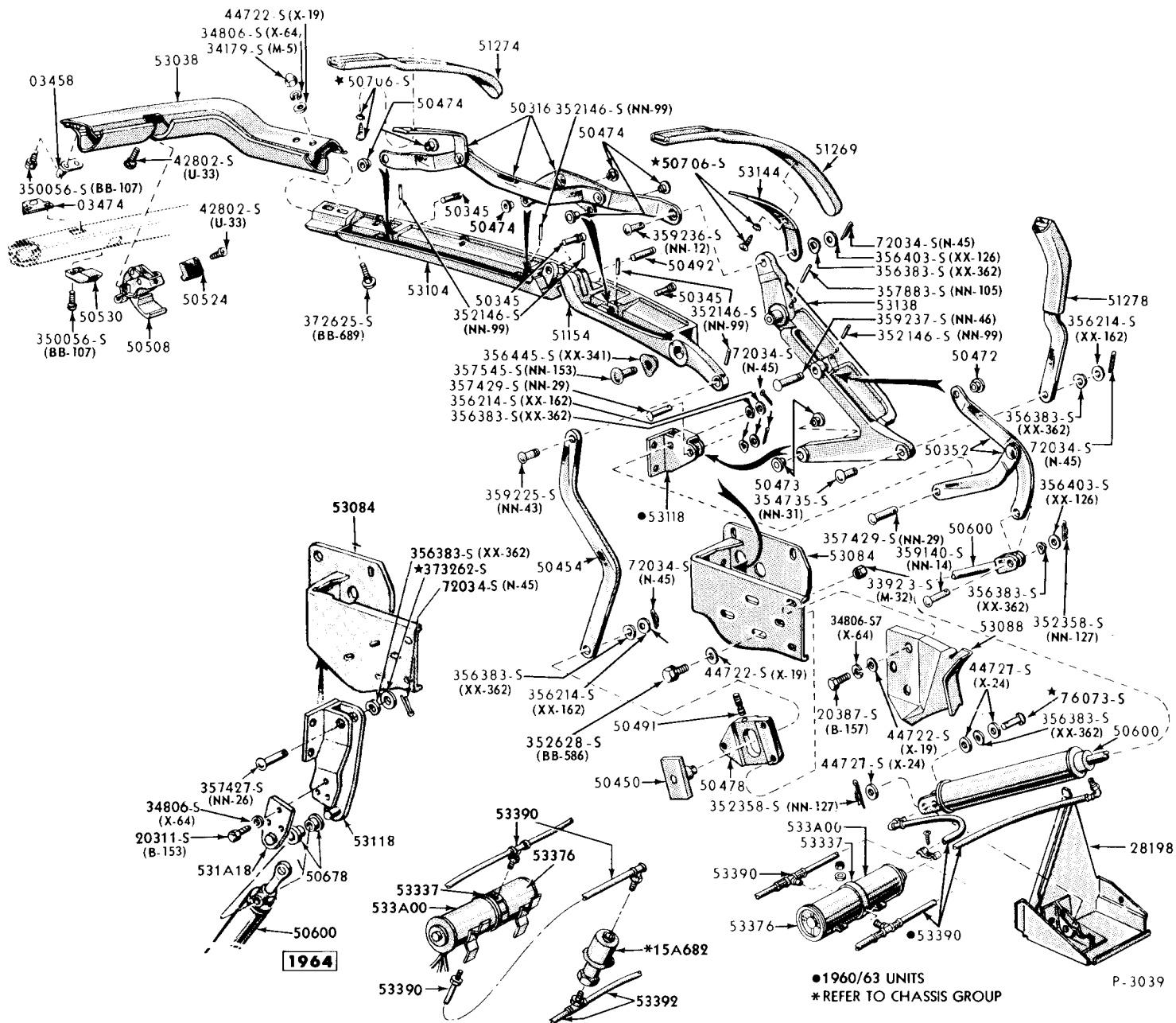
● REFER TO CHASSIS SECTION

P-4354



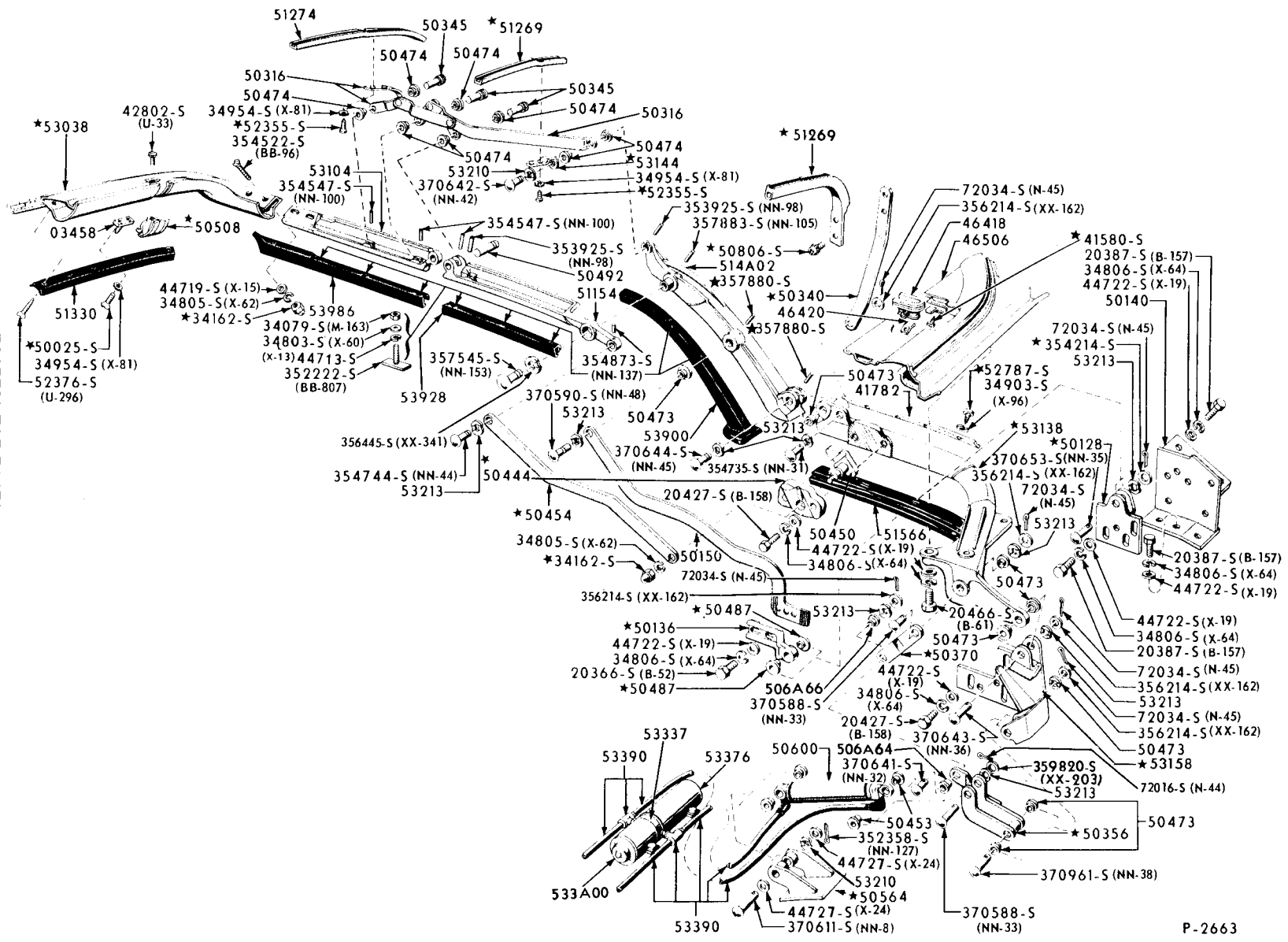
- * REFER TO GROUP IN SOFT TRIM SECTION
- △ ALSO INCLUDED IN 502B46
- REFER TO GROUP IN CHASSIS SECTION

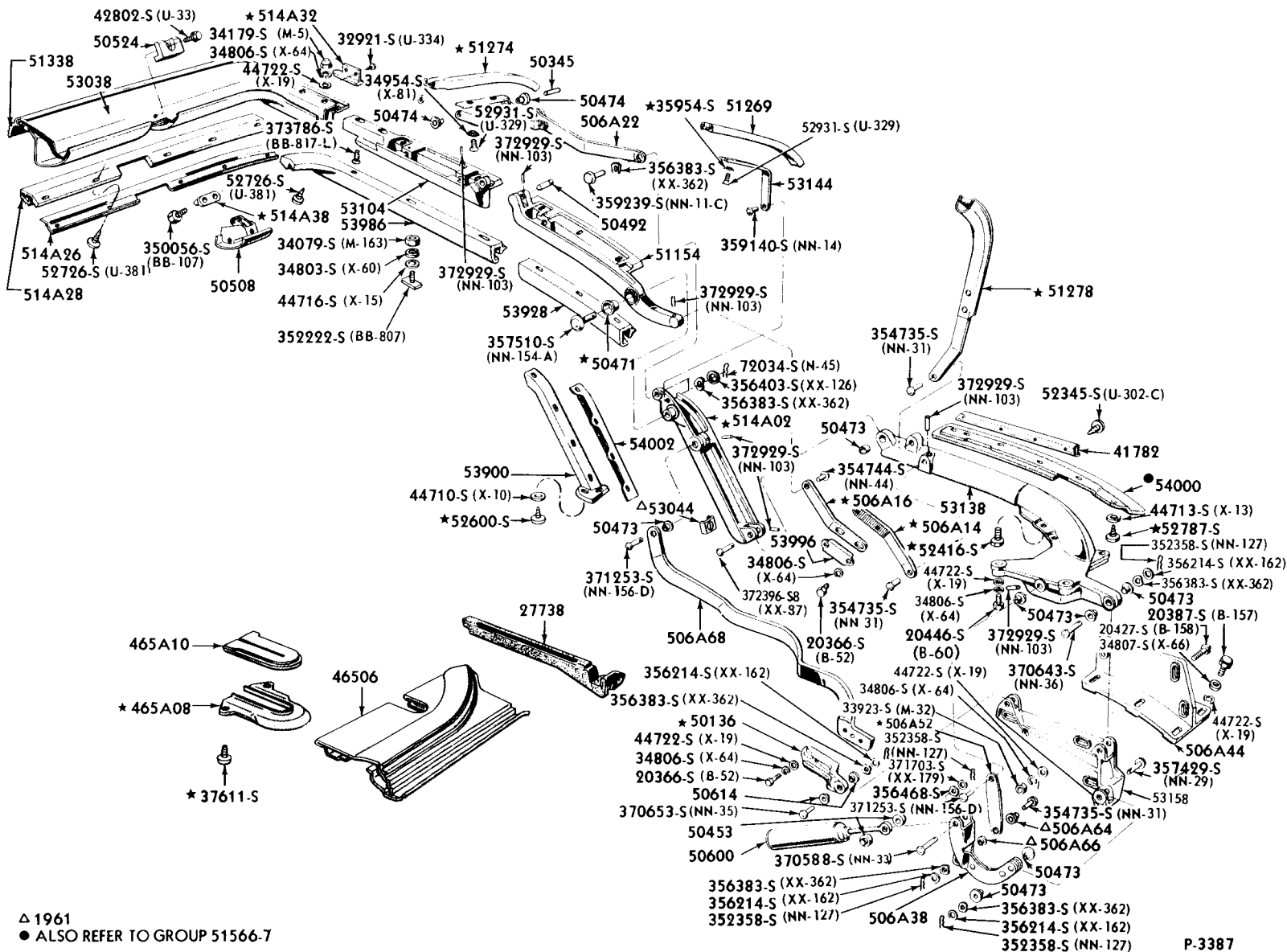
P-3164



FOLDING TOP PARTS-LESS TRIM
1960/64 FORD-BODY TYPE 76

FOLDING TOP PARTS-LESS TRIM
1960 THUNDERBIRD-BODY TYPE 76

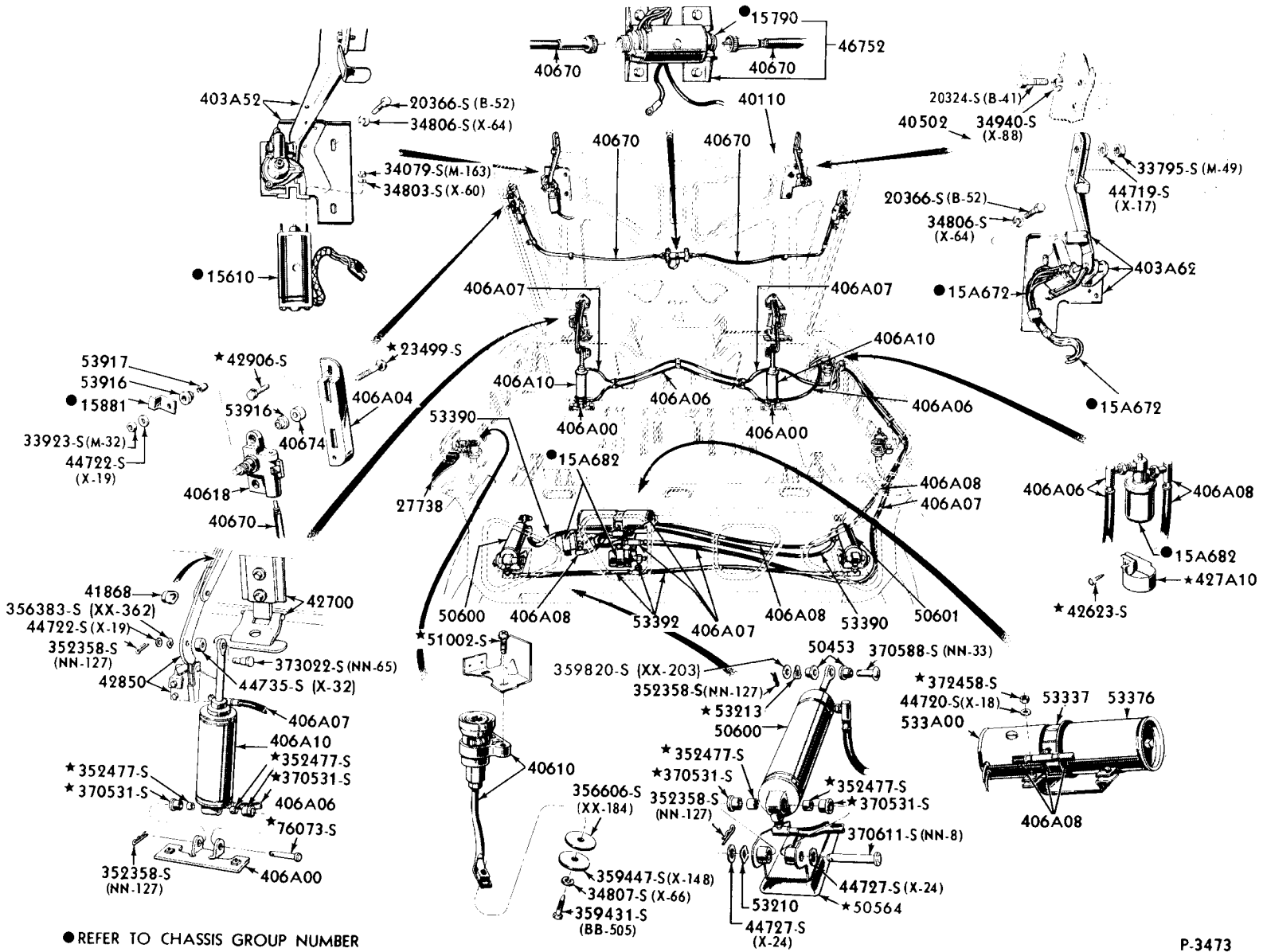




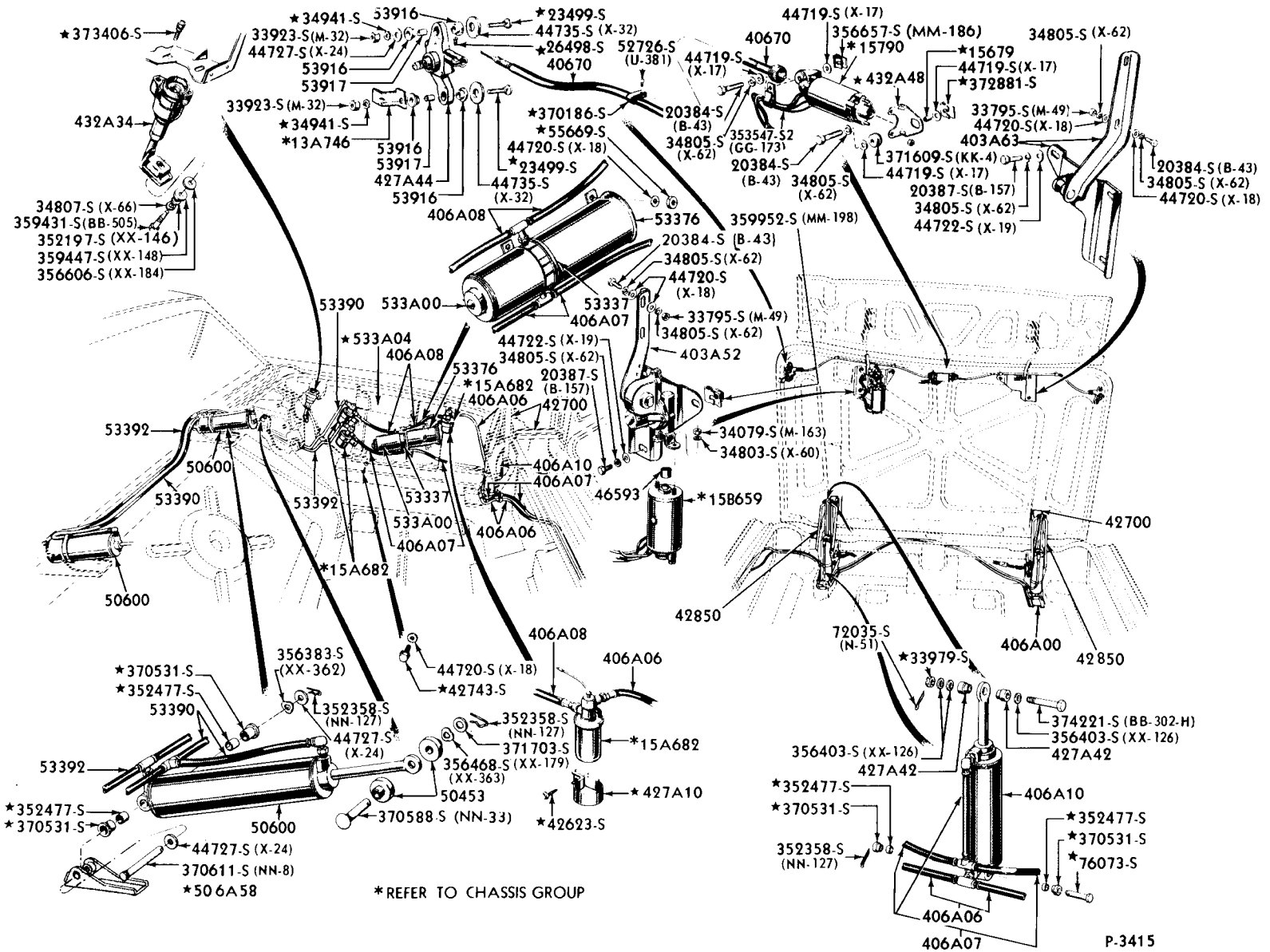
FOLDING TOP PARTS-LESS TRIM
1961/63 THUNDERBIRD-BODY TYPE 76

Δ 1961
 ● ALSO REFER TO GROUP 51566-7

FOLDING TOP and DECK LID HYDRAULIC LIFT & RELATED PARTS
1960 THUNDERBIRD-BODY TYPE 76

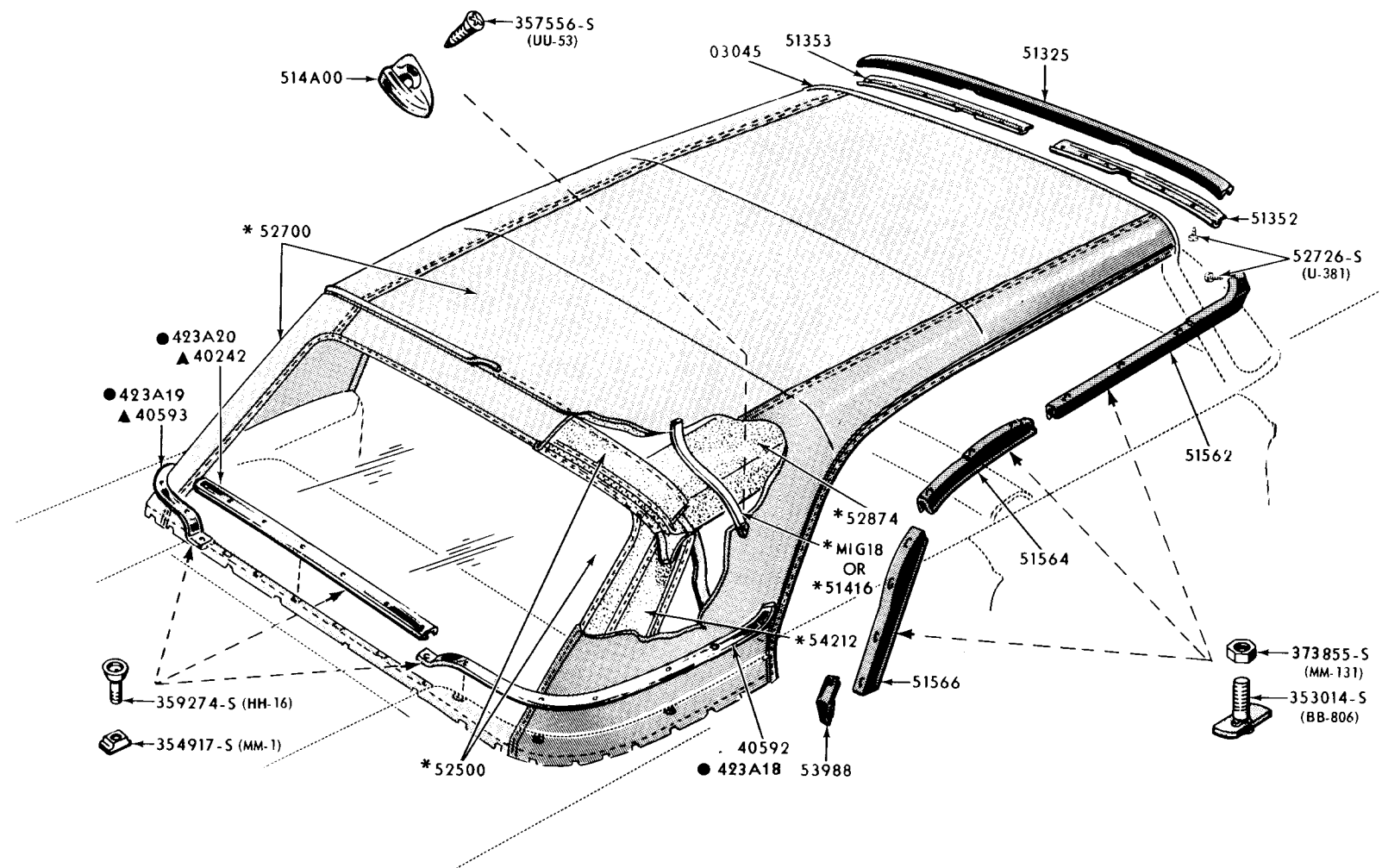


● REFER TO CHASSIS GROUP NUMBER



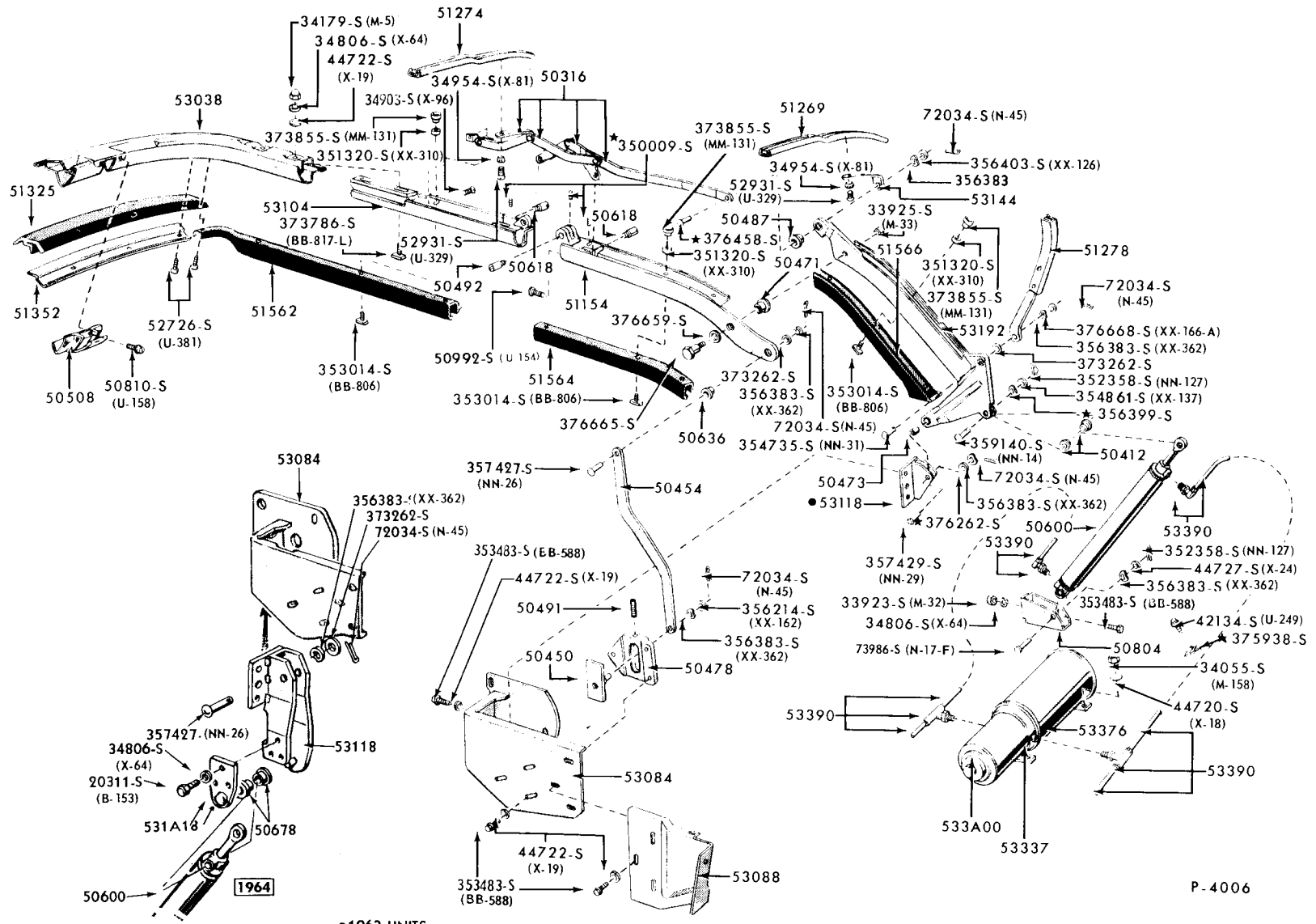
*REFER TO CHASSIS GROUP

1960/64 FORD, FALCON, FALCON and THUNDERBIRD-BODY TYPE 76



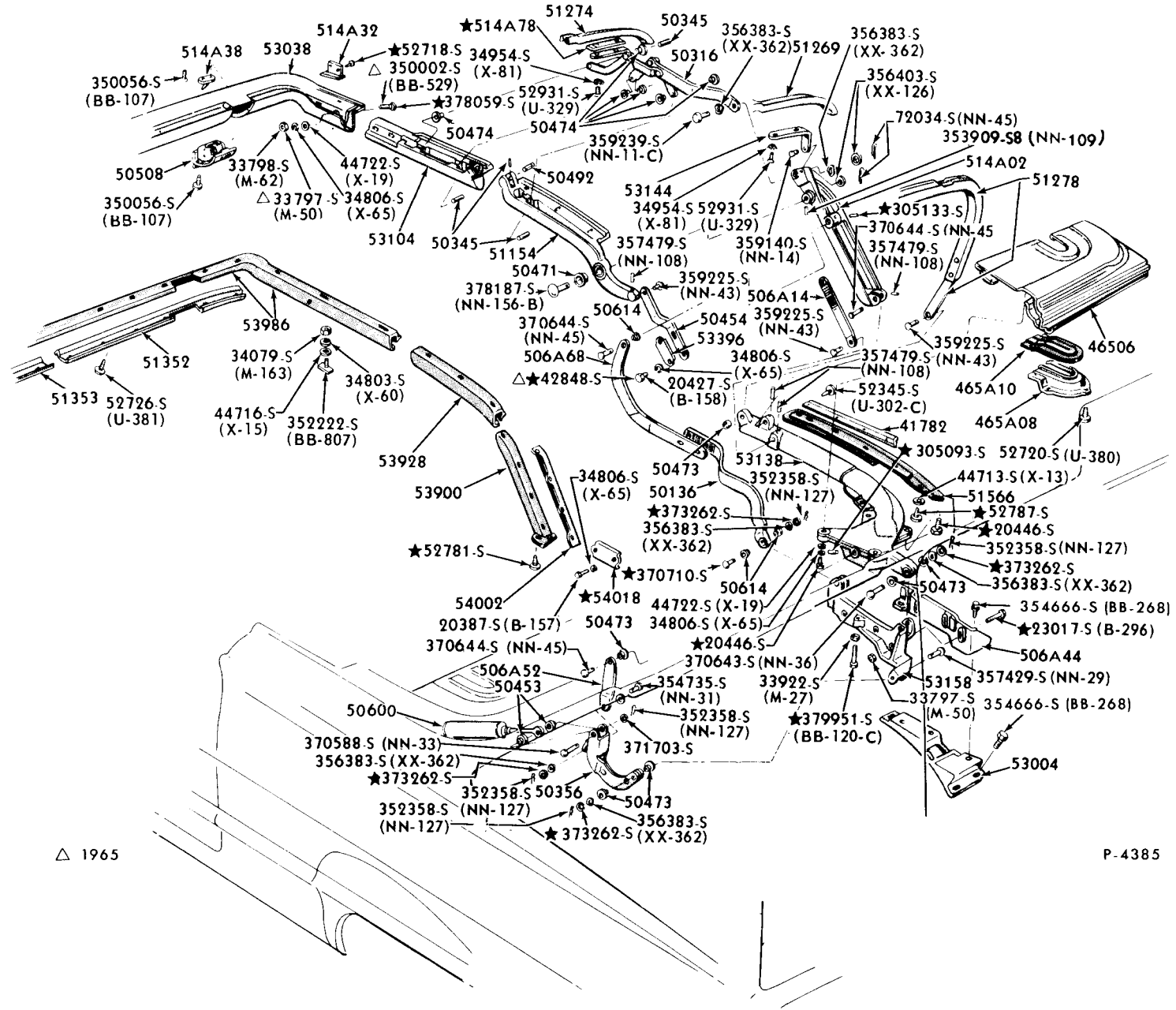
*REFER TO SOFT TRIM SECTION
 ▲1960
 ●1961

1968 / FALCON-BODY TYPE 76



•1963 UNITS

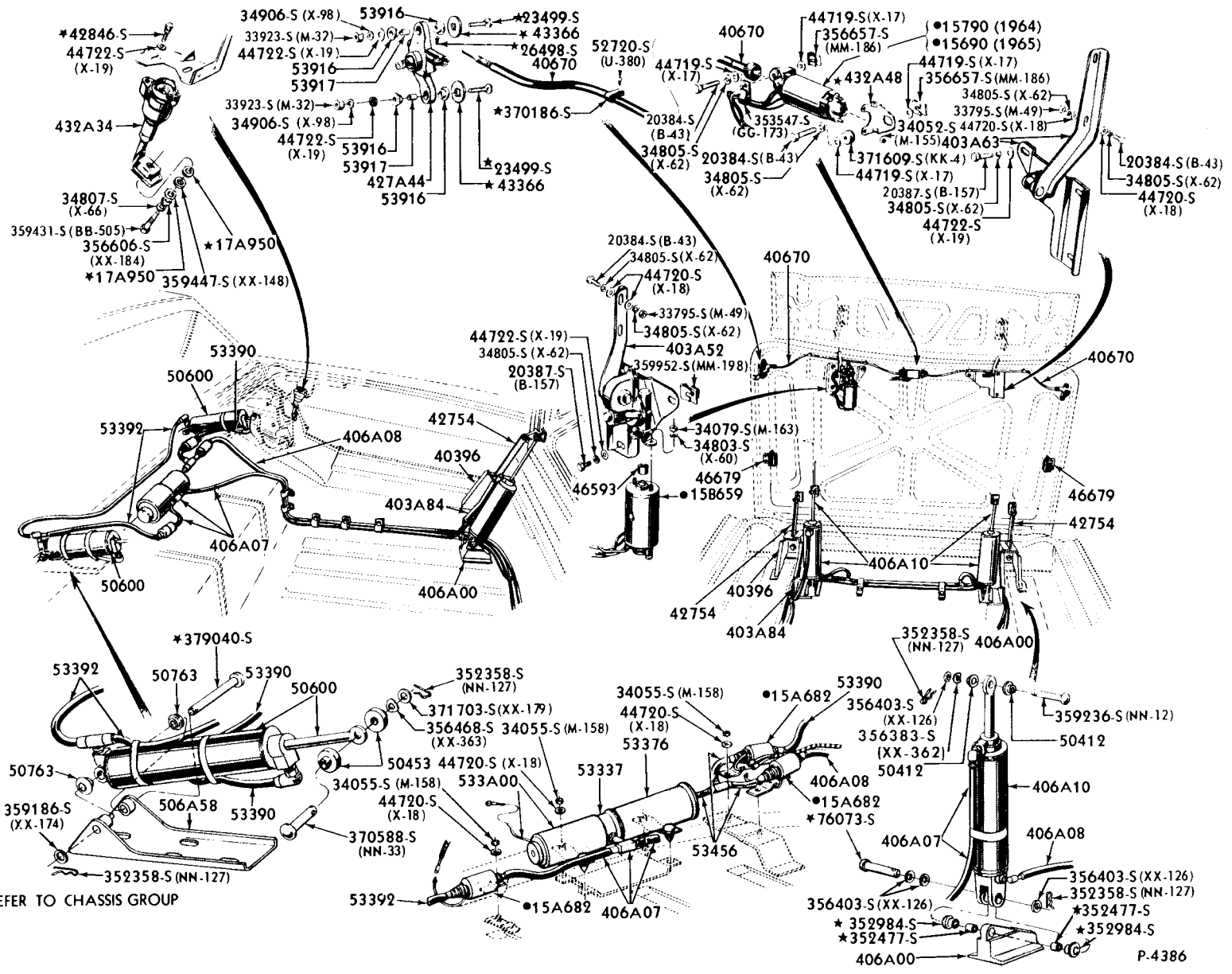
P-4006



FOLDING TOP PARTS-LESS TRIM
1964/THUNDERBIRD-BODY TYPE 76

△ 1965

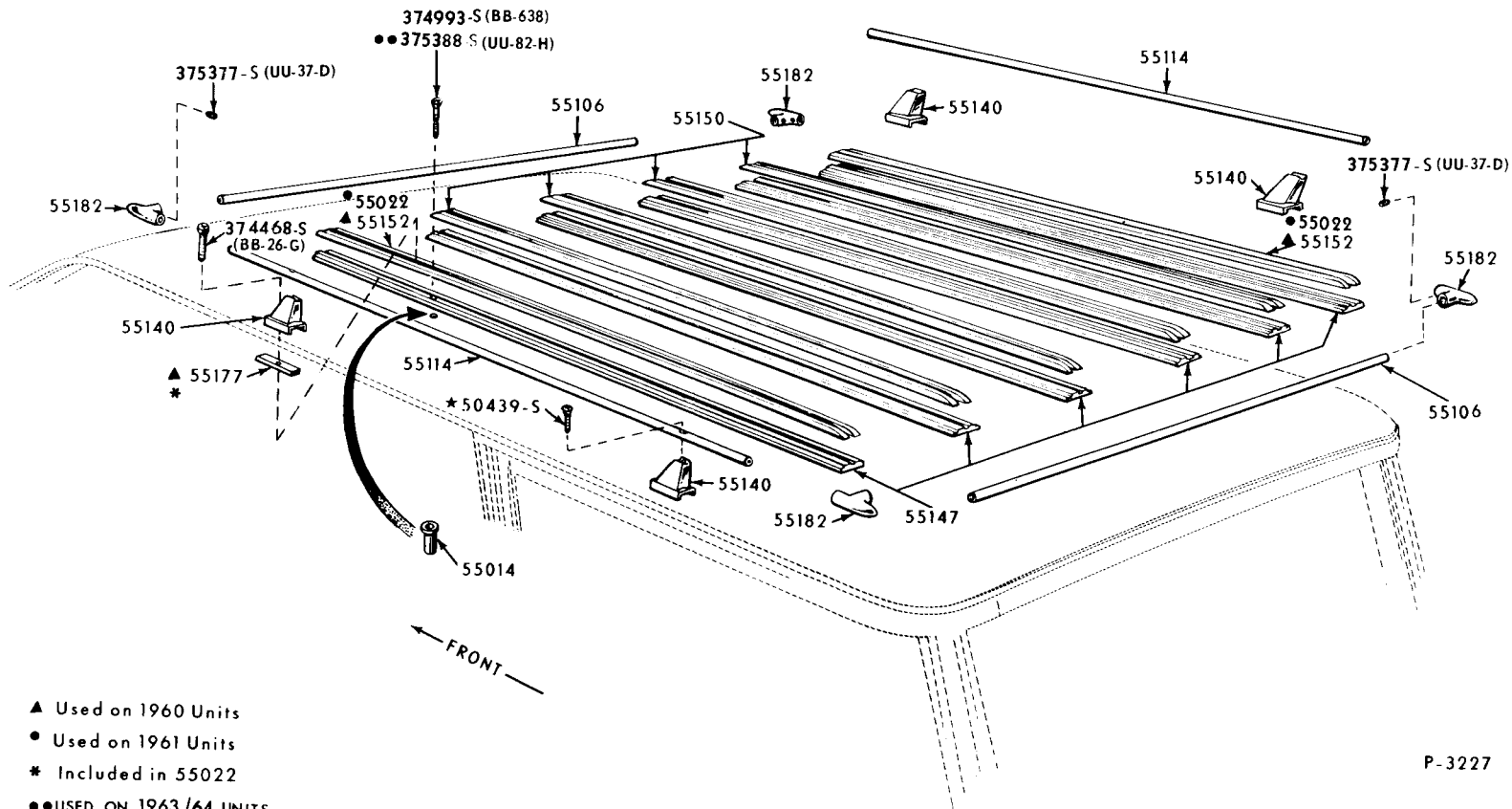
P-4385



FOLDING TOP and DECK LID HYDRAULIC LIFT and RELATED PARTS
1964/ THUNDERBIRD - BODY TYPE 76

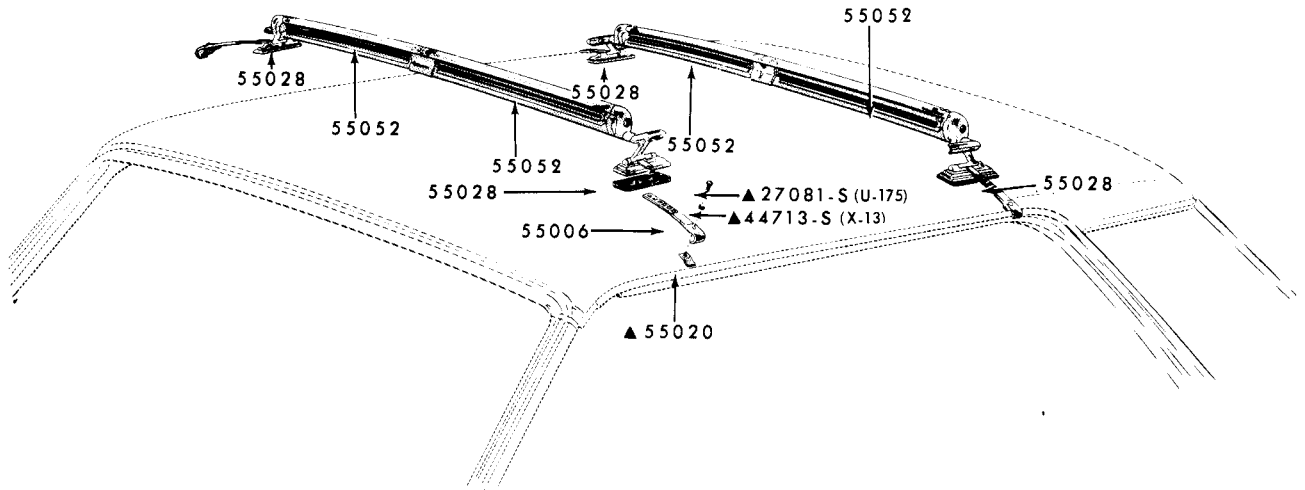
● REFER TO CHASSIS GROUP

P.4386



- ▲ Used on 1960 Units
- Used on 1961 Units
- * Included in 55022
- USED ON 1963/64 UNITS

P-3227



▲ALSO INCLUDED IN 55006

P-4050

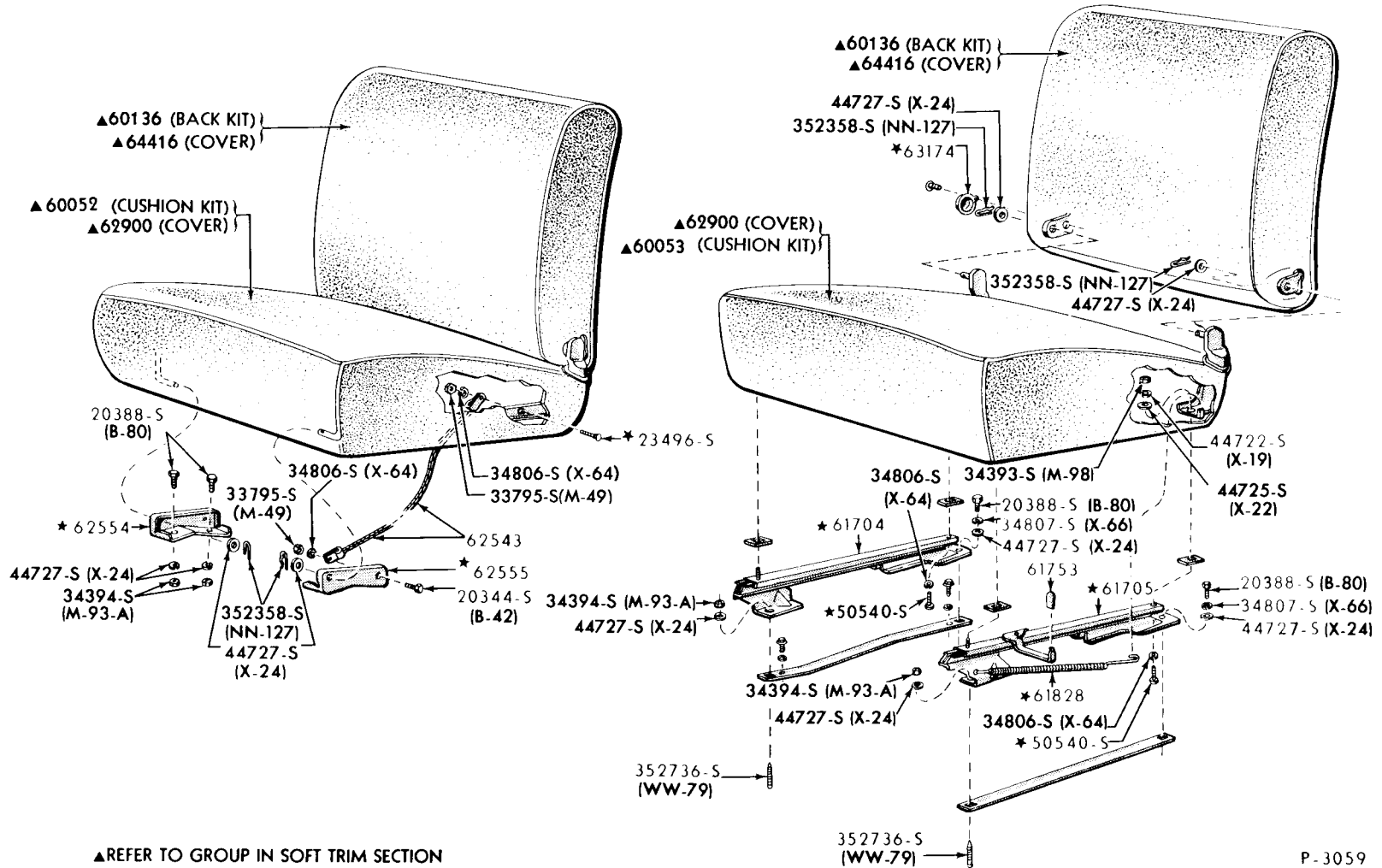
ROOF SKI CARRIER
1963/ FORD, FAIRLANE, FALCON and THUNDERBIRD

INDEX

YEAR	TITLE	ILLUS. NO.	SECTION	PAGE
SEAT				
1960	Front seat mechanism and related parts-drivers and passengers single-Ford-body type 59E	P-3059	600	739
1960	Front seat mechanism and related parts-manual 4 way tilt-Ford	P-3196	600	740
1960	Front seat mechanism and related parts-manual full width-Falcon	P-3166	600	750
1960	Front seat mechanism and related parts-manual full width-Ford	P-3057	600	741
1960	Front seat mechanism and related parts-manual bucket-Thunderbird	P-2620	600	743
1960	Front seat mechanism and related parts-power bucket-Thunderbird	P-2621	600	744
1960	Front seat mechanism and related parts-power full width-Ford	P-3058	600	742
1960	Rear seat and related parts-Falcon-body type 59, 71	P-3201	600	760
1960	Rear seat and related parts-Ford-body type 59, 71 (6 passenger)	P-3060	600	756
1960	Rear and auxiliary seats and related parts-Ford-body type 71 (9 passenger)	P-3061	600	757
1960	Rear and auxiliary seats and related parts-folded-Ford-body type 71 (9 passenger)	P-3062	600	758
1960	Seat belt installation-Ford and Falcon (with full width seat)	P-4398	600	753
1960	Seat belt installation-Thunderbird (with bucket seats)	P-4397	600	753
1961	Front seat mechanism and related parts-bucket-Thunderbird and Falcon-body type 64	P-3360	600	745
1961	Front seat mechanism and related parts-manual 4 way tilt-Ford	P-3196	600	740
1961	Front seat mechanism and related parts-manual full width-Falcon	P-3166	600	750
1961	Front seat mechanism and related parts-manual full width-Ford	P-3057	600	741
1961	Front seat mechanism and related parts-power full width-Ford	P-3058	600	742
1961	Rear seat and related parts-Falcon-body type 59, 71	P-3201	600	760
1961	Rear seat and related parts-Ford-body type 59, 71 (6 passenger)	P-3060	600	756
1961	Rear and auxiliary seats and related parts-Ford-body type 71 (9 passenger)	P-3061	600	757
1961	Rear and auxiliary seats and related parts-folded-Ford-body type 71 (9 passenger)	P-3062	600	758
1961	Seat belt installation-Falcon and Thunderbird (with bucket seats)	P-4397	600	753
1961	Seat belt installation-Ford and Falcon (with full width seat)	P-4398	600	753
1962	Front seat mechanism and related parts-bucket-Ford-body type 65B, 76B	P-3857	600	746
1962	Front seat mechanism and related parts-bucket-Thunderbird & Falcon-body type 62, 64, 71	P-3360	600	745
1962	Front seat mechanism and related parts-manual bucket-Fairlane-body type 62	P-3859	600	752
1962	Front seat mechanism and related parts-manual full width-Fairlane	P-3765	600	749
1962	Front seat mechanism and related parts-manual full width-Falcon	P-3166	600	750
1962	Front seat mechanism and related parts-manual full width-Ford	P-3057	600	741
1962	Front seat mechanism and related parts-power full width-Ford	P-3058	600	742
1962	Rear seat and related parts-Falcon-body type 59, 71	P-3201	600	760
1962	Rear seat and related parts-Ford-body type 71 (6 passenger)	P-3780	600	759
1962	Rear and auxiliary seats and related parts-Ford-body type 71 (9 passenger)	P-3061	600	757
1962	Rear and auxiliary seats and related parts-folded-Ford-body type 71 (9 passenger)	P-3062	600	758

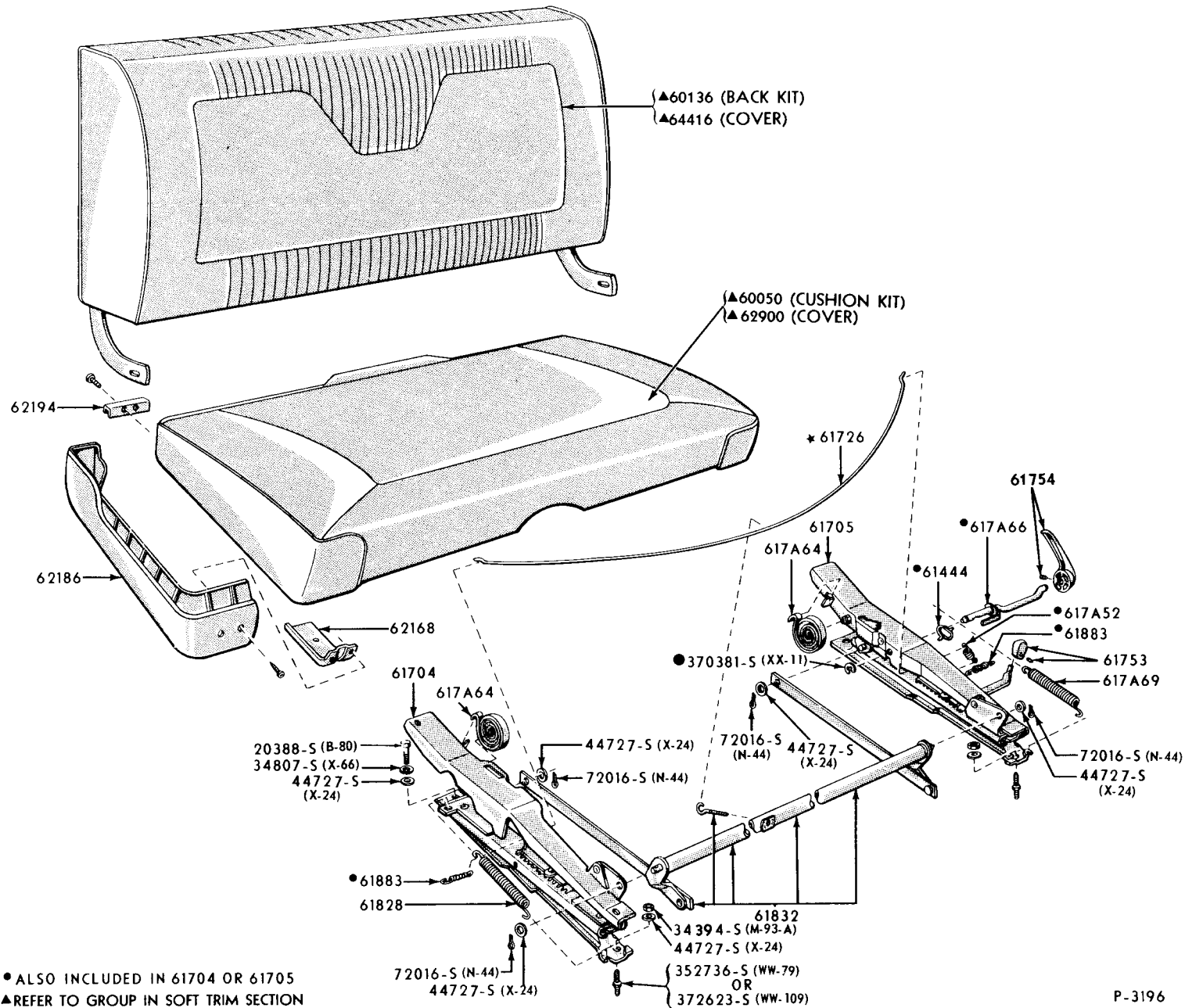
INDEX

YEAR	TITLE	ILLUS. NO.	SECTION	PAGE
SEAT - continued				
1962	Seat belt installation-Ford, Fairlane and Falcon (with full width seat)	P-4398	600	753
1962	Seat belt installation-Ford, Fairlane, Falcon and Thunderbird (with bucket seats)	P-4397	600	753
1963	Auxiliary seat, storage compartment and related parts-Fairlane-body type 71	P-4045	600	762
1963	Front seat mechanism and related parts-bostrom bucket-Ford-body type 54, 62	P-4178	600	747
1963	Front seat mechanism & related parts-bucket-Ford-body type 63, 65, 71, 75, 76 and Thunderbird	P-3857	600	746
1963	Front seat mechanism and related parts-manual bucket-Fairlane-body type 65 and Falcon-body type 62, 63, 71	P-4048	600	751
1963	Front seat mechanism and related parts-manual bucket-Fairlane-body type 71 and Falcon body type 76	P-3859	600	752
1963	Front seat mechanism and related parts-manual full width-Fairlane	P-3765	600	749
1963	Front seat mechanism and related parts-manual full width-Falcon	P-3166	600	750
1963	Front seat mechanism and related parts-manual full width-Ford	P-4046	600	748
1963	Front seat mechanism and related parts-power full width-Ford	P-3058	600	742
1963	Rear seat and related parts-Falcon-body type 59, 71	P-3201	600	760
1963	Rear seat and related parts-Ford-body type 71 (6 passenger)	P-3780	600	759
1963	Rear seat, auxiliary floor and related parts-Fairlane-body type 71	P-4044	600	761
1963	Rear and auxiliary seats and related parts-Ford-body type 71 (9 passenger)	P-3061	600	757
1963	Rear and auxiliary seats and related parts-folded-Ford-body type 71 (9 passenger)	P-3062	600	758
1963	Seat belt installation-Ford, Fairlane and Falcon (with full width seat)	P-4398	600	753
1963	Seat belt installation-Ford, Fairlane, Falcon and Thunderbird (with bucket seats)	P-4397	600	753
1964	Auxiliary seat, storage compartment and related parts-Fairlane-body type 71	P-4045	600	762
1964	Front seat mechanism and related parts-bucket-Ford and Thunderbird	P-4322	600	754
1964	Front seat mechanism and related parts-manual bucket-Fairlane-body type 65B and Falcon-body type 62C, 63C, 63D, 66H	P-4048	600	751
1964	Front seat mechanism and related parts-manual bucket-Falcon-body type 76B, 76D	P-3859	600	752
1964	Front seat mechanism and related parts-manual full width-Fairlane	P-3765	600	749
1964	Front seat mechanism and related parts-manual full width-Falcon	P-3166	600	750
1964	Front seat mechanism and related parts-manual full width-Ford	P-4046	600	748
1964	Front seat mechanism and related parts-power full width-Ford	P-3058	600	742
1964	Rear seat and related parts-Falcon-body type 59, 71	P-3201	600	760
1964	Rear seat and related parts-Ford-body type 71 (6 passenger)	P-3780	600	759
1964	Rear seat, auxiliary floor and related parts-Fairlane-body type 71	P-4044	600	761
1964	Rear and auxiliary seats and related parts-Ford-body type 71 (9 passenger)	P-3061	600	757
1964	Rear and auxiliary seats and related parts-folded-Ford-body type 71 (9 passenger)	P-3062	600	758
1964	Reclining seat, head rest and related parts-Thunderbird	P-4323	600	755
1964	Seat belt installation-Ford, Fairlane and Falcon (with bucket seats)	P-4397	600	753
1964	Seat belt installation-Ford, Fairlane and Falcon (with full width seat)	P-4398	600	753
1964	Seat belt installation-Thunderbird	P-4396	600	749



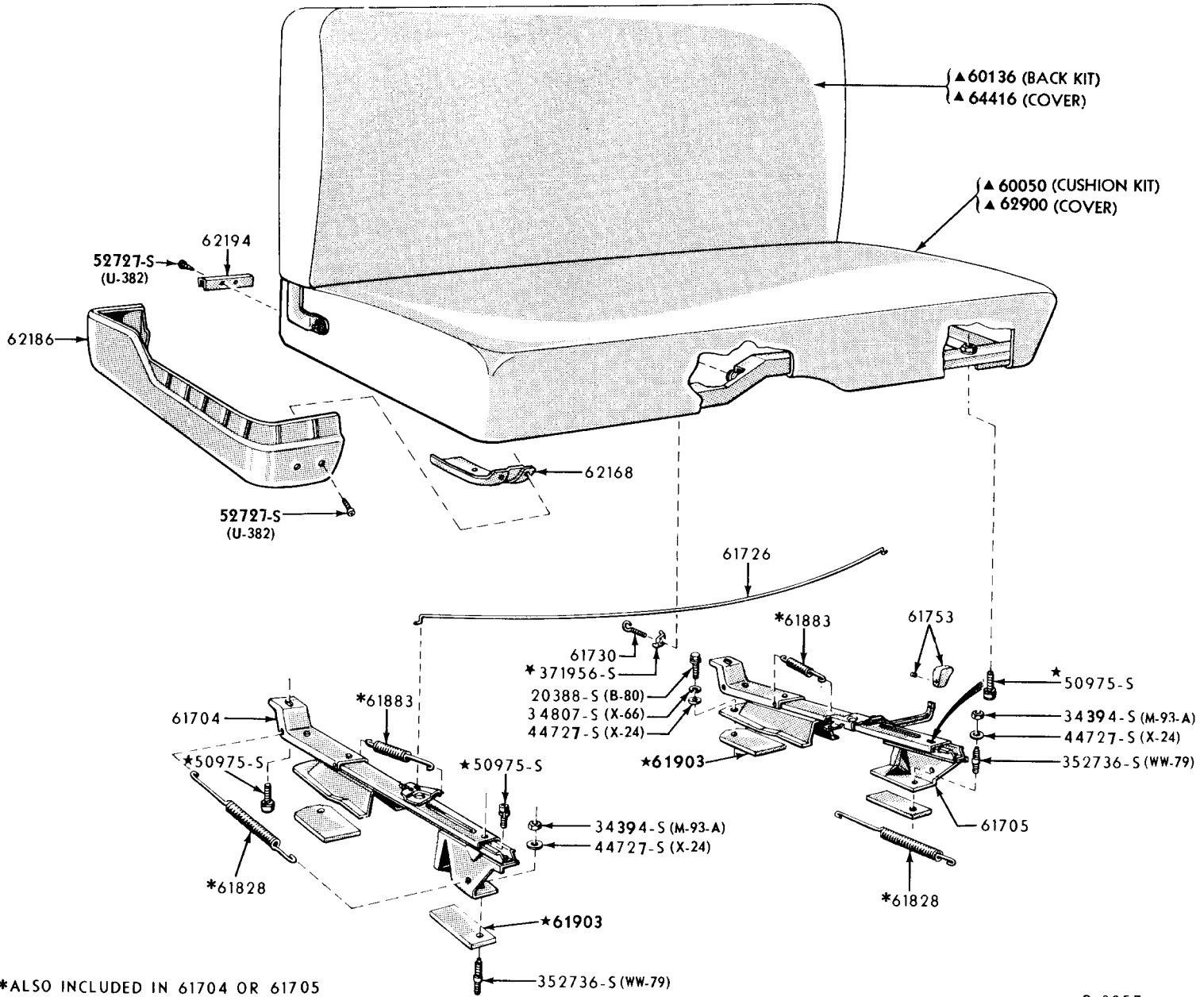
▲REFER TO GROUP IN SOFT TRIM SECTION

P-3059



● ALSO INCLUDED IN 61704 OR 61705
▲ REFER TO GROUP IN SOFT TRIM SECTION

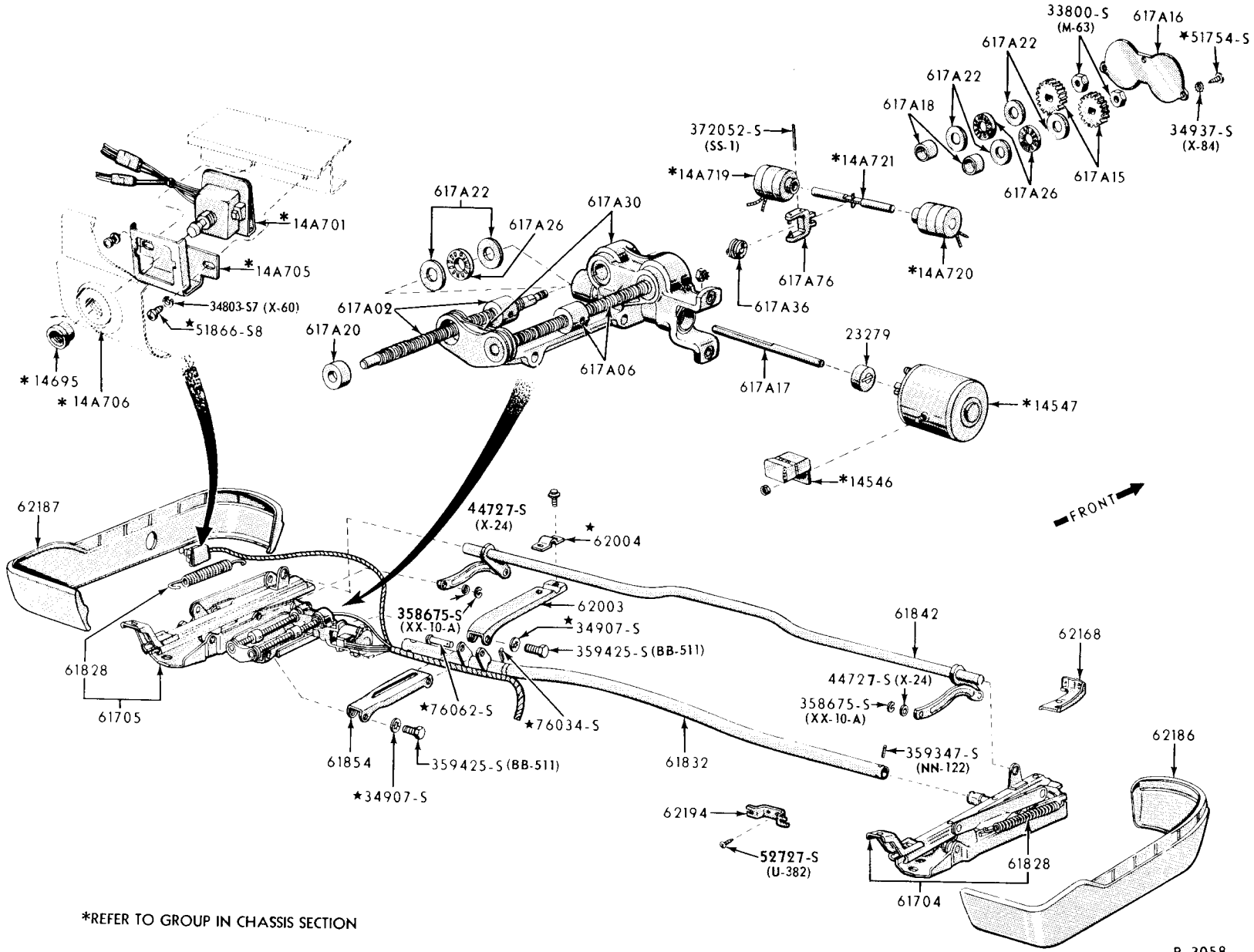
FRONT SEAT MECHANISM and RELATED PARTS - MANUAL 4 WAY TILT
1960/61 FORD



*ALSO INCLUDED IN 61704 OR 61705
▲REFER TO GROUP IN SOFT TRIM SECTION

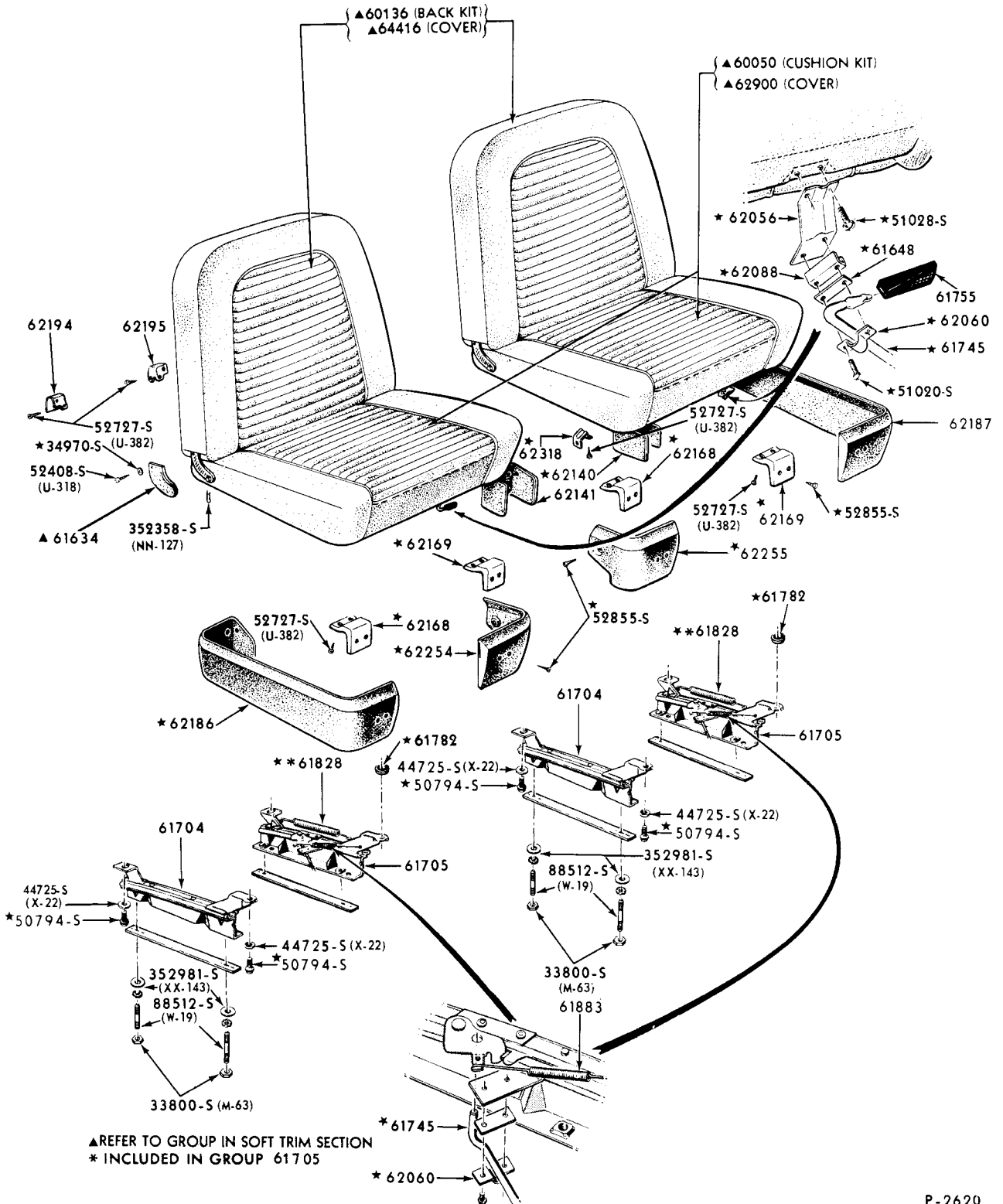
P-3057

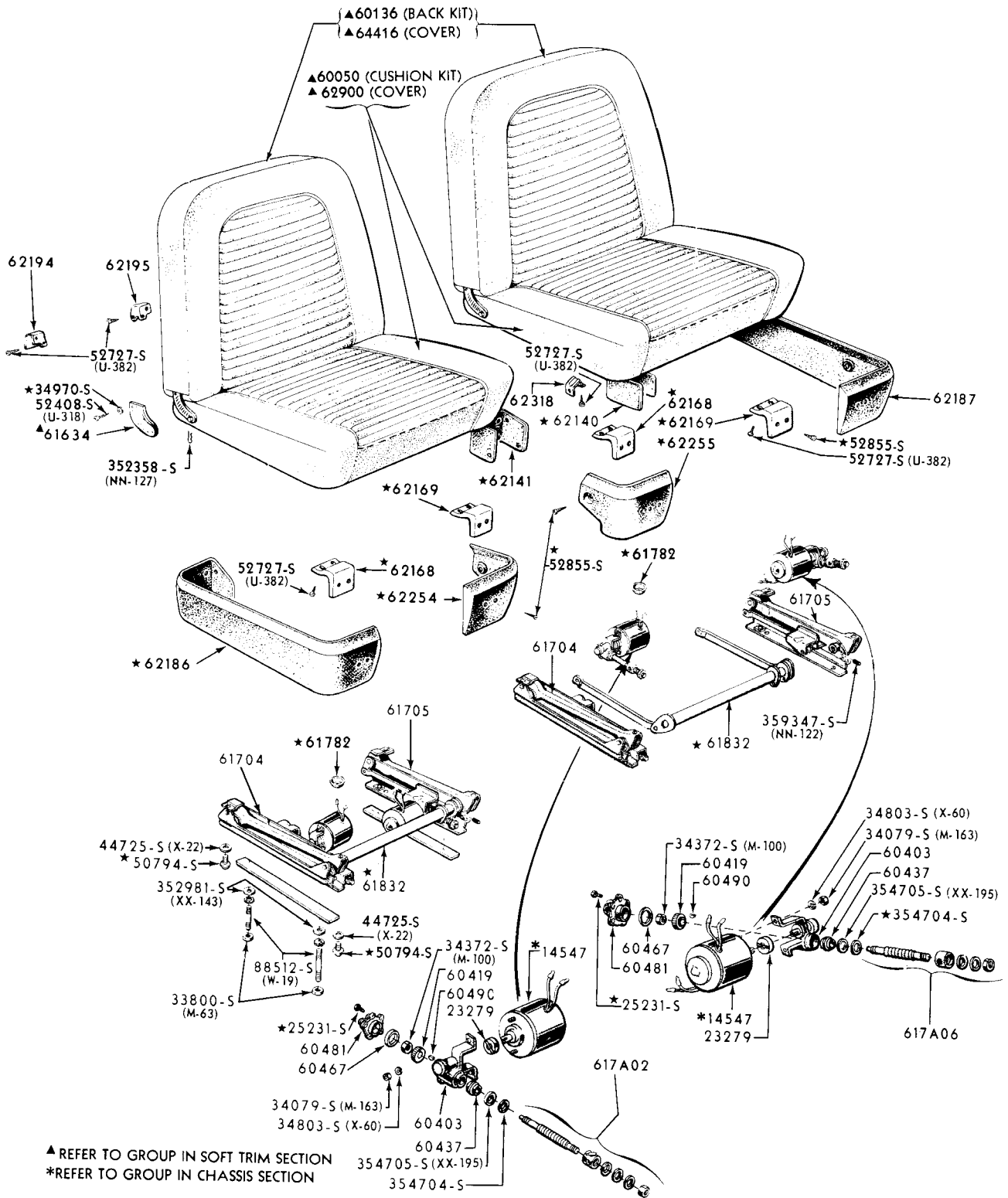
FRONT SEAT MECH ANISM and RELATED PARTS - MANUAL FULL WIDTH
1960/62 FORD



FRONT SEAT MECHANISM and RELATED PARTS - POWER FULL WIDTH
1960/64 FORD

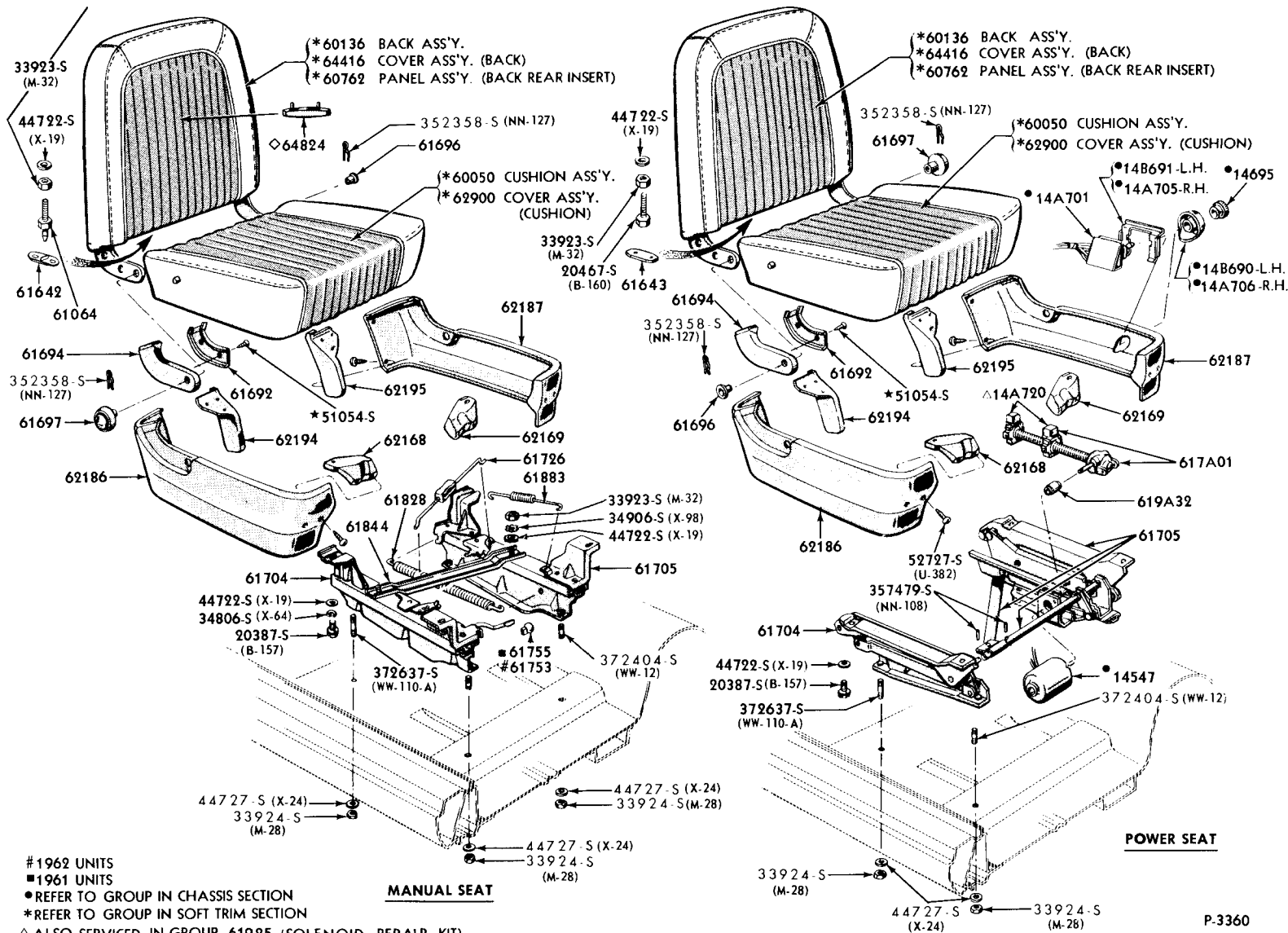
*REFER TO GROUP IN CHASSIS SECTION





1961/62 THUNDERBIRD and 1961/62 FALCON - BODY TYPE 62C, 64, 71B

FRONT SEAT MECHANISM and RELATED PARTS - BUCKET



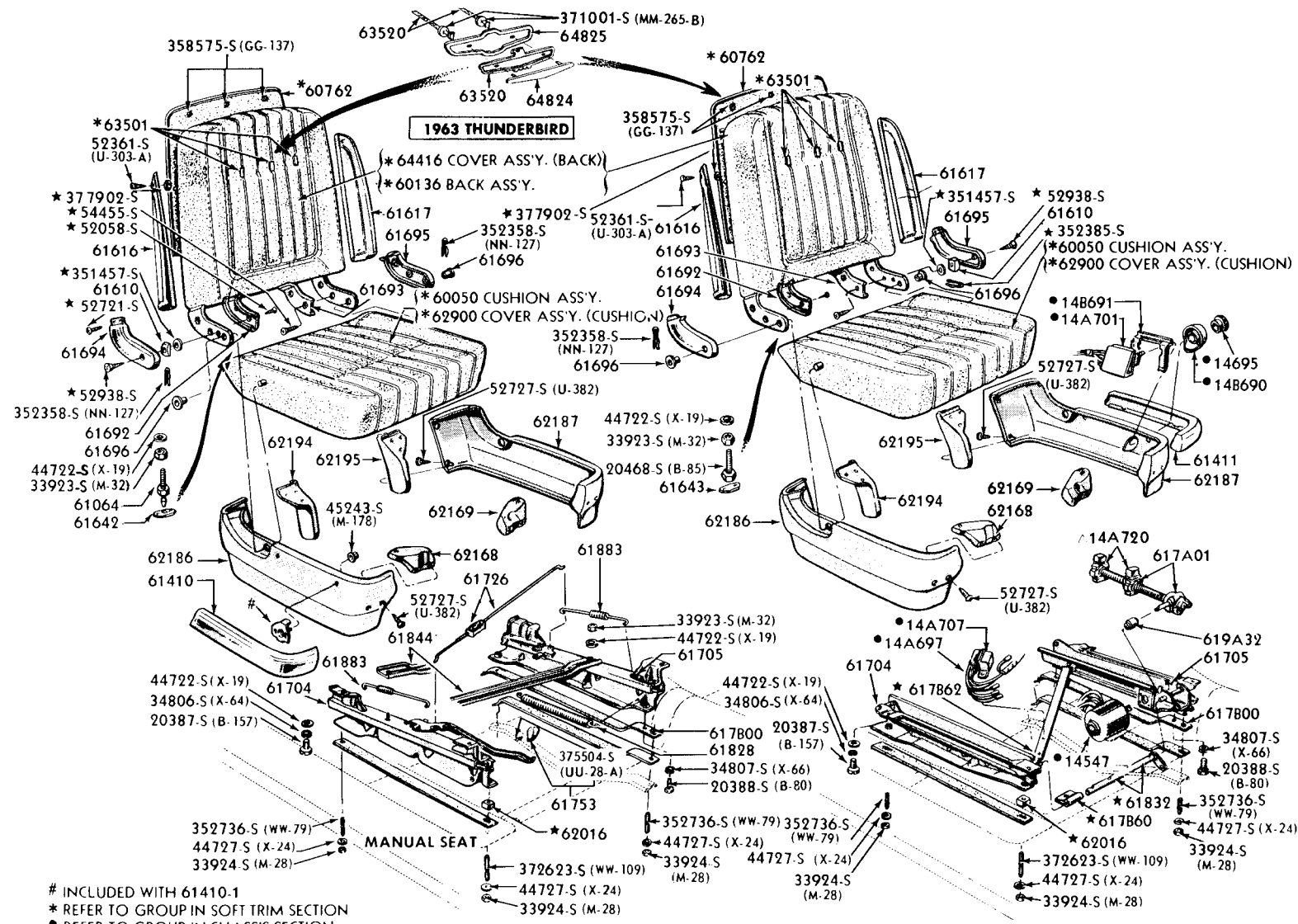
#1962 UNITS
■1961 UNITS

●REFER TO GROUP IN CHASSIS SECTION
*REFER TO GROUP IN SOFT TRIM SECTION

△ ALSO SERVICED IN GROUP 61925 (SOLENOID REPAIR KIT)

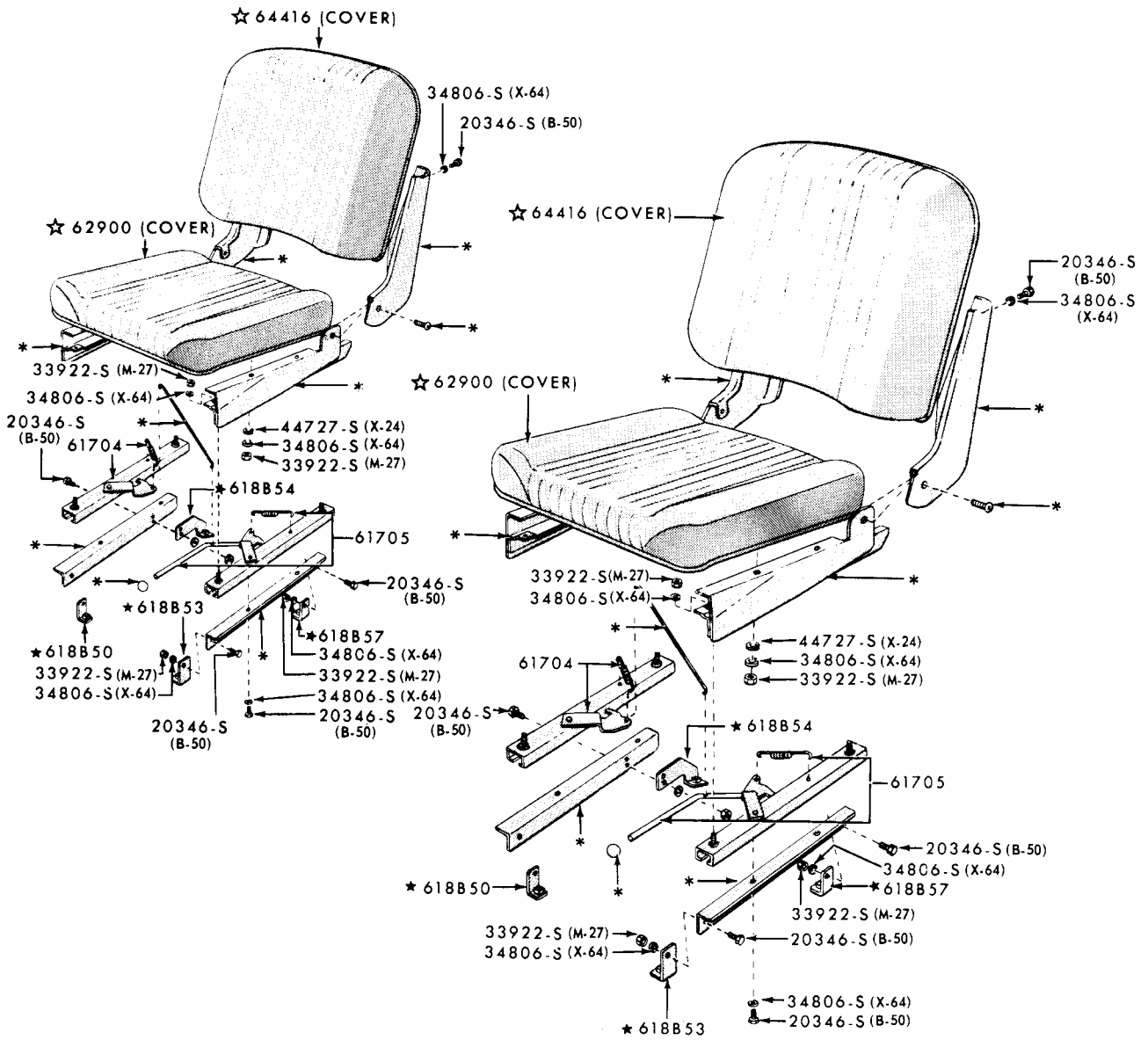
◇ USED ON FUTURA ONLY

P-3360



INCLUDED WITH 61410-1
 * REFER TO GROUP IN SOFT TRIM SECTION
 • REFER TO GROUP IN CHASSIS SECTION
 Δ ALSO SERVICED IN GROUP 61925 (SOLENOID REPAIR KIT)

1962/63 FORD - BODY TYPE 63C, 65B, 71G, 71H, 75C, 76B and 1963 THUNDERBIRD



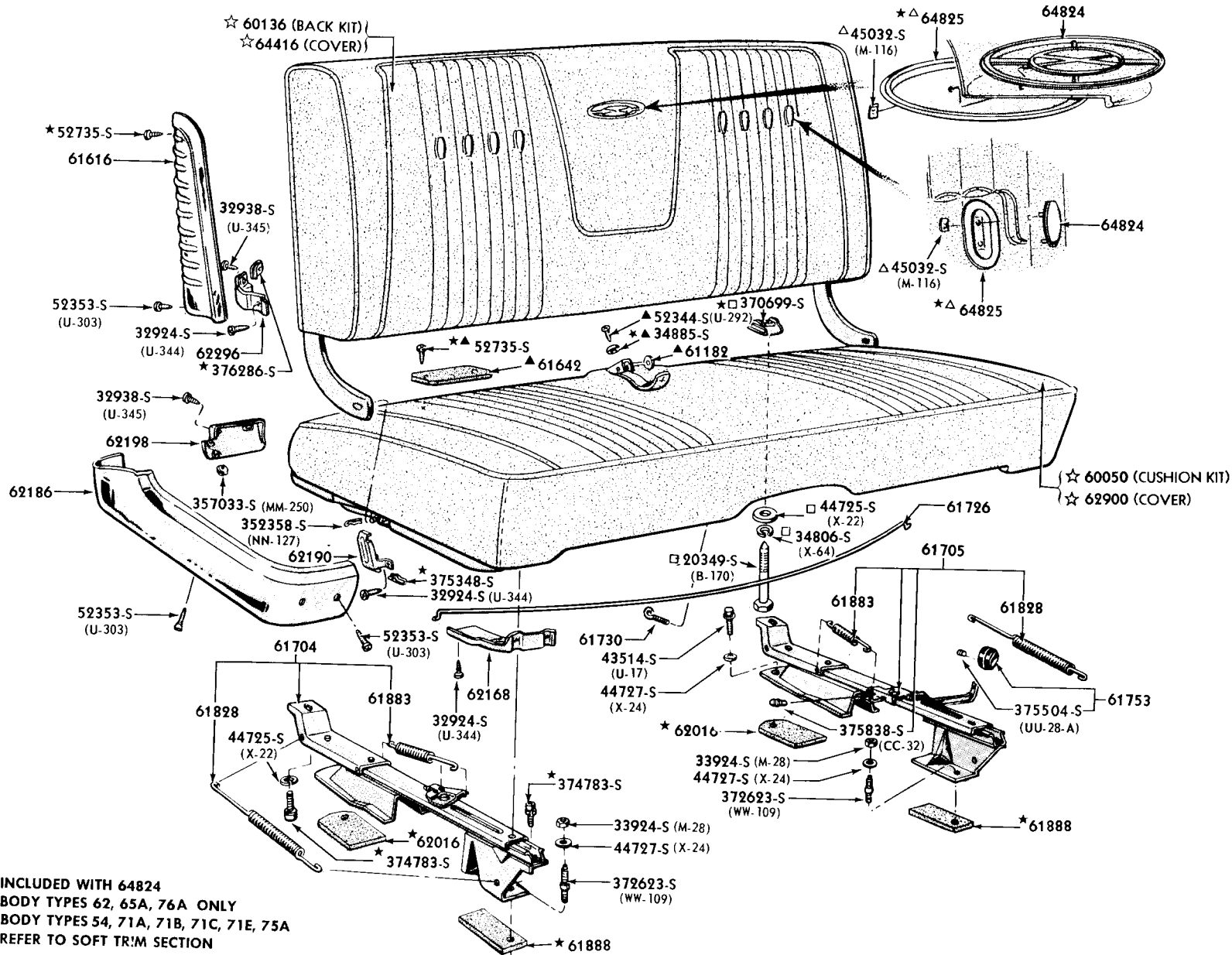
☆ REFER TO SOFT TRIM SECTION

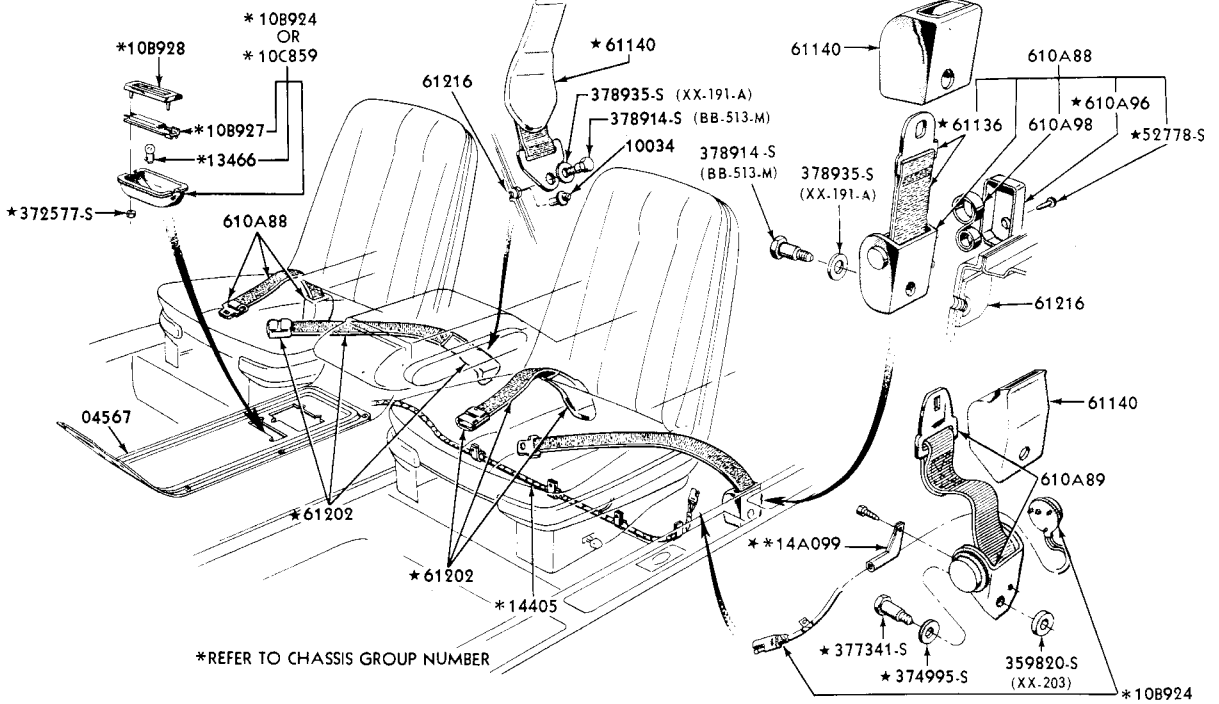
* NOT SERVICED

P-4178

FRONT SEAT MECHANISM and RELATED PARTS - BOSTROM BUCKET

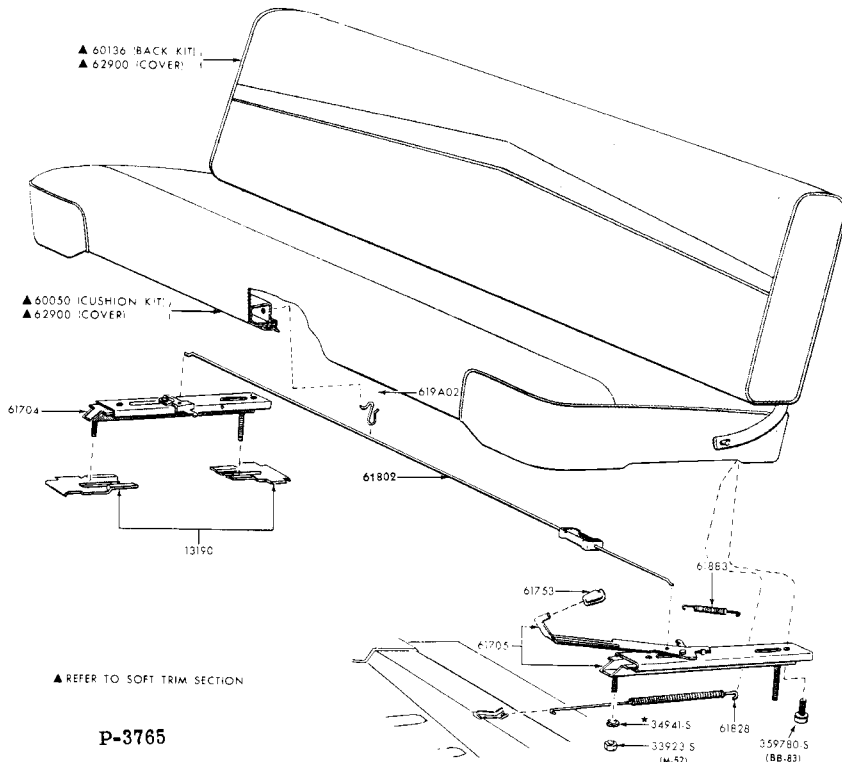
1963 FORD - BODY TYPE 54B, 54E, 62B, 62E

FRONT SEAT MECHANISM and RELATED PARTS - MANUAL FULL WIDTH
1963/64 FORD



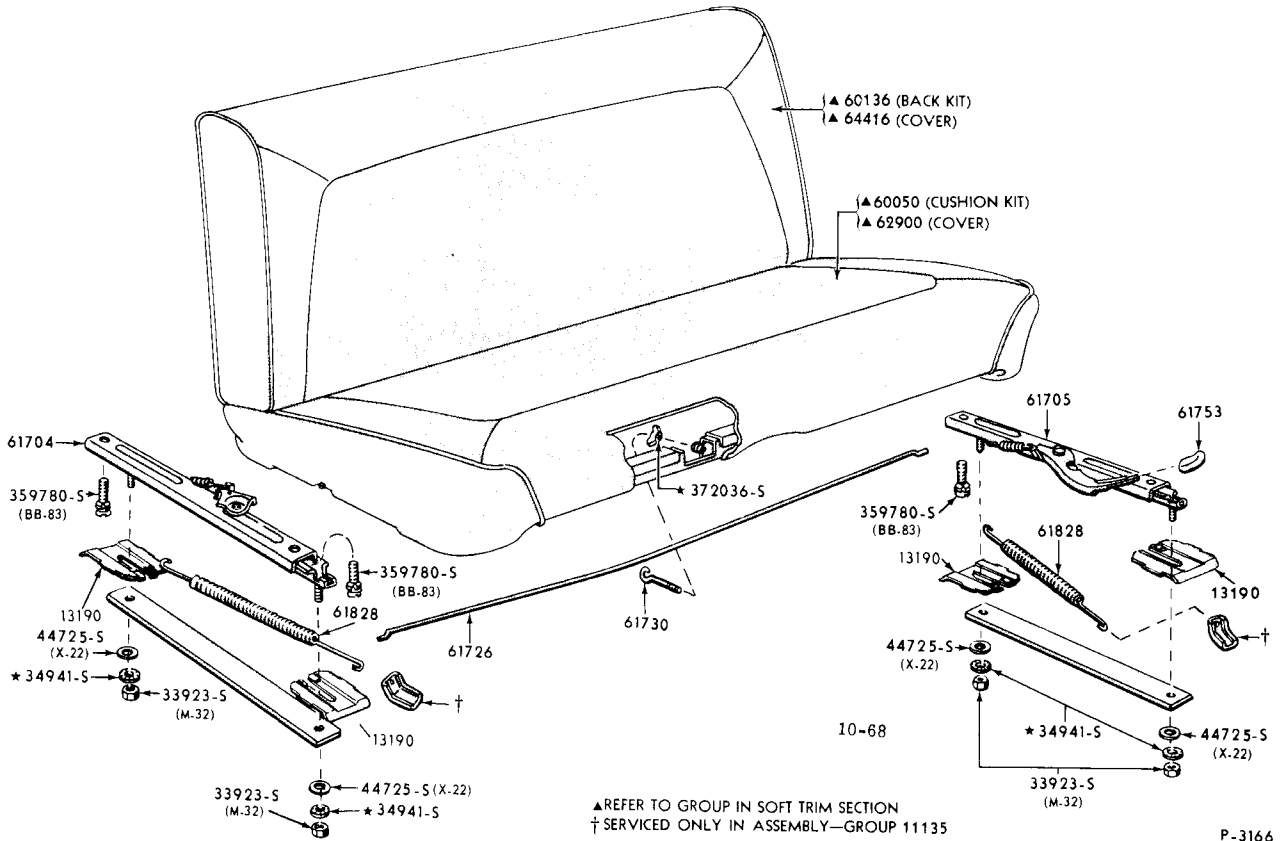
SEAT BELT INSTALLATION
1964/ THUNDERBIRD

P-4396

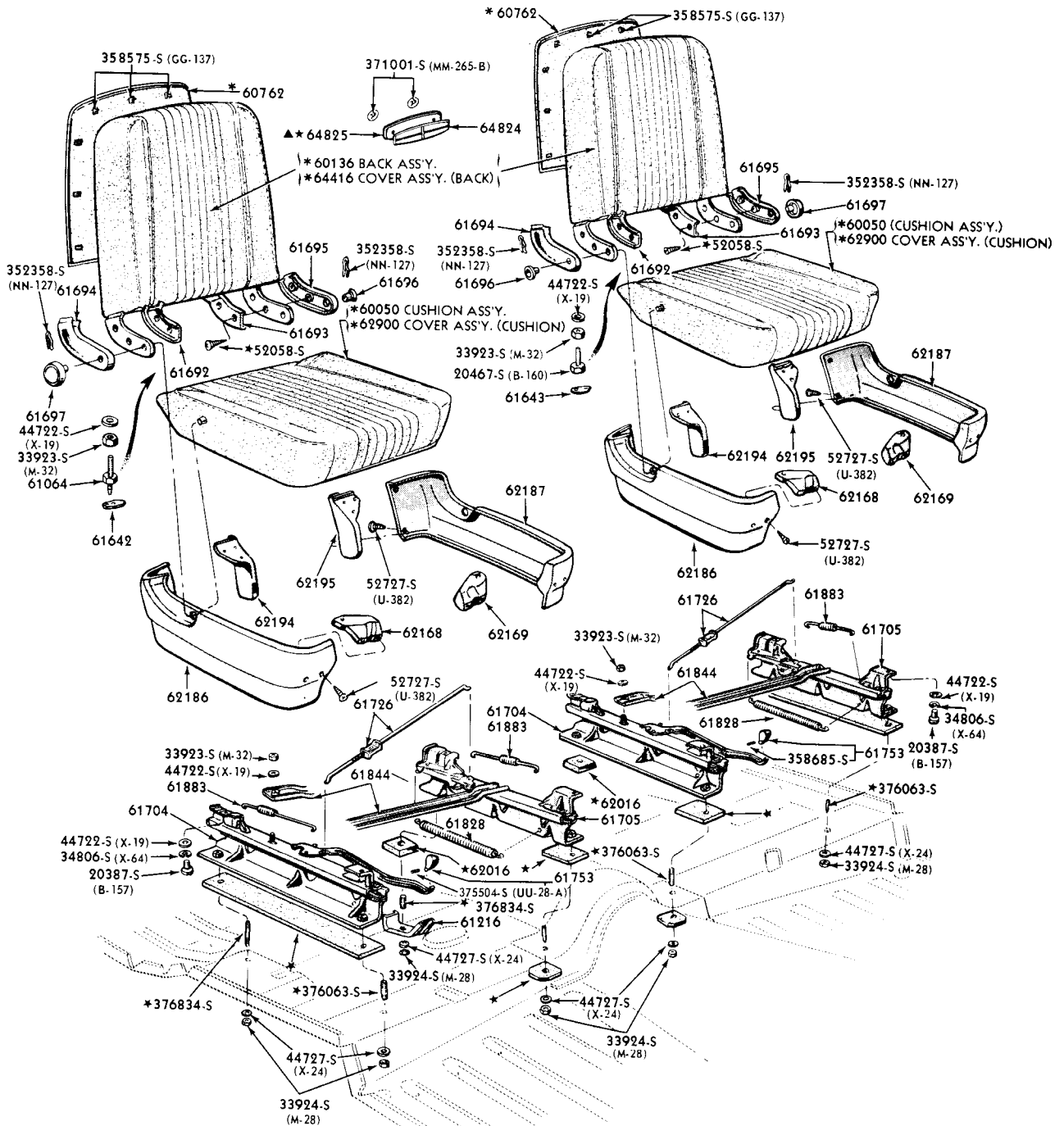


P-3765

FRONT SEAT MECHANISMS AND RELATED PARTS - MANUAL FULL WIDTH
1962/ FAIRLANE



FRONT SEAT MECHANISM and RELATED PARTS - MANUAL FULL WIDTH
1960/ FALCON

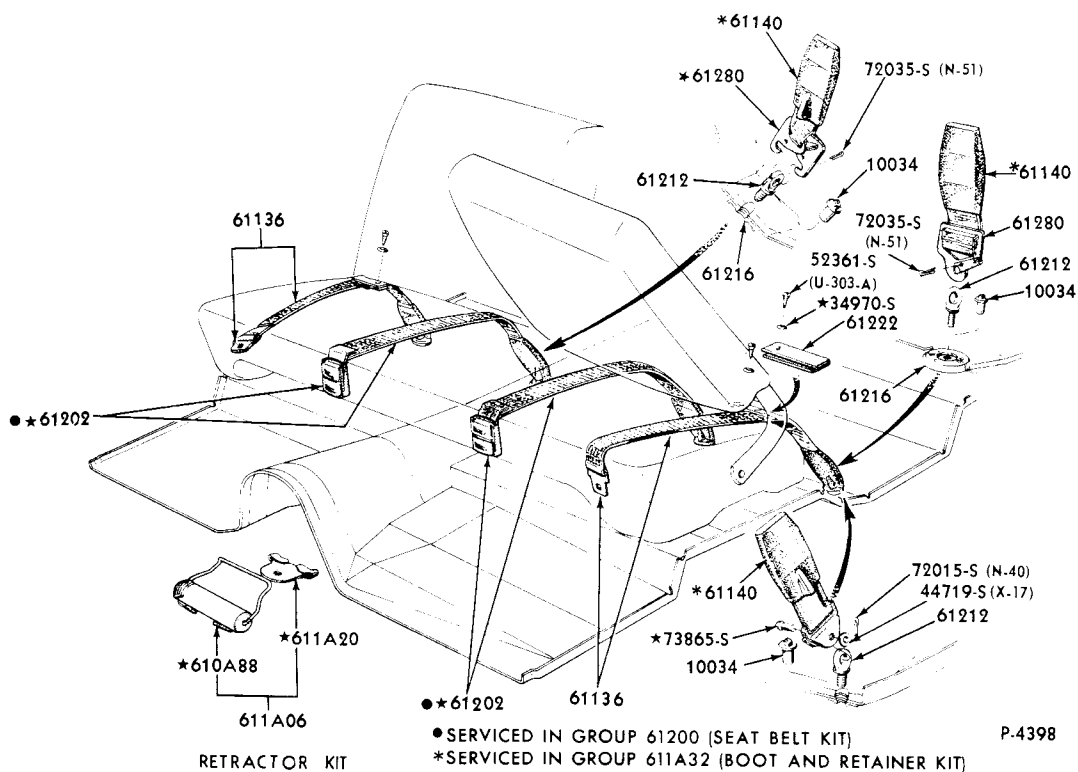


* REFER TO GROUP IN SOFT TRIM SECTION
▲ SUPPLIED WITH GROUP 64824

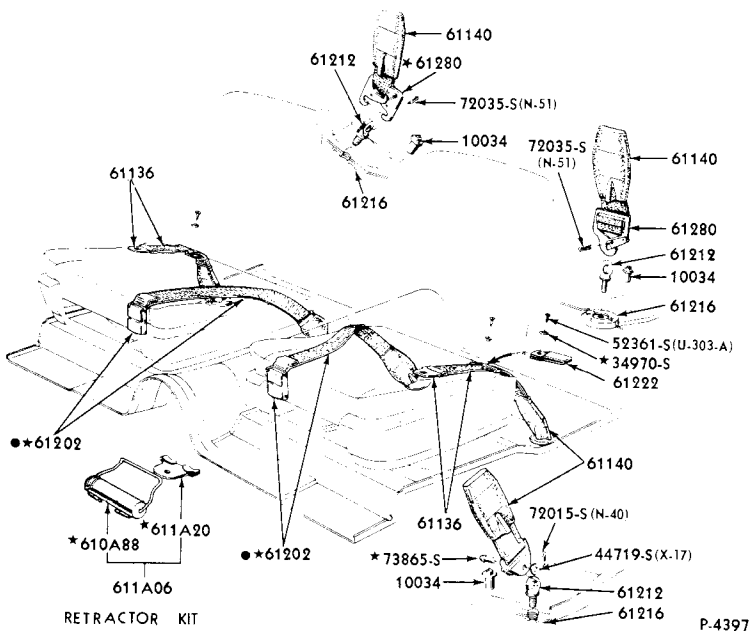
P-3859

FRONT SEAT MECHANISM and RELATED PARTS - MANUAL BUCKET

1962 FAIRLANE - BODY TYPE 62C, 1963 FAIRLANE - BODY TYPE 71G and 1963/ FALCON - BODY TYPE 76B, 76D



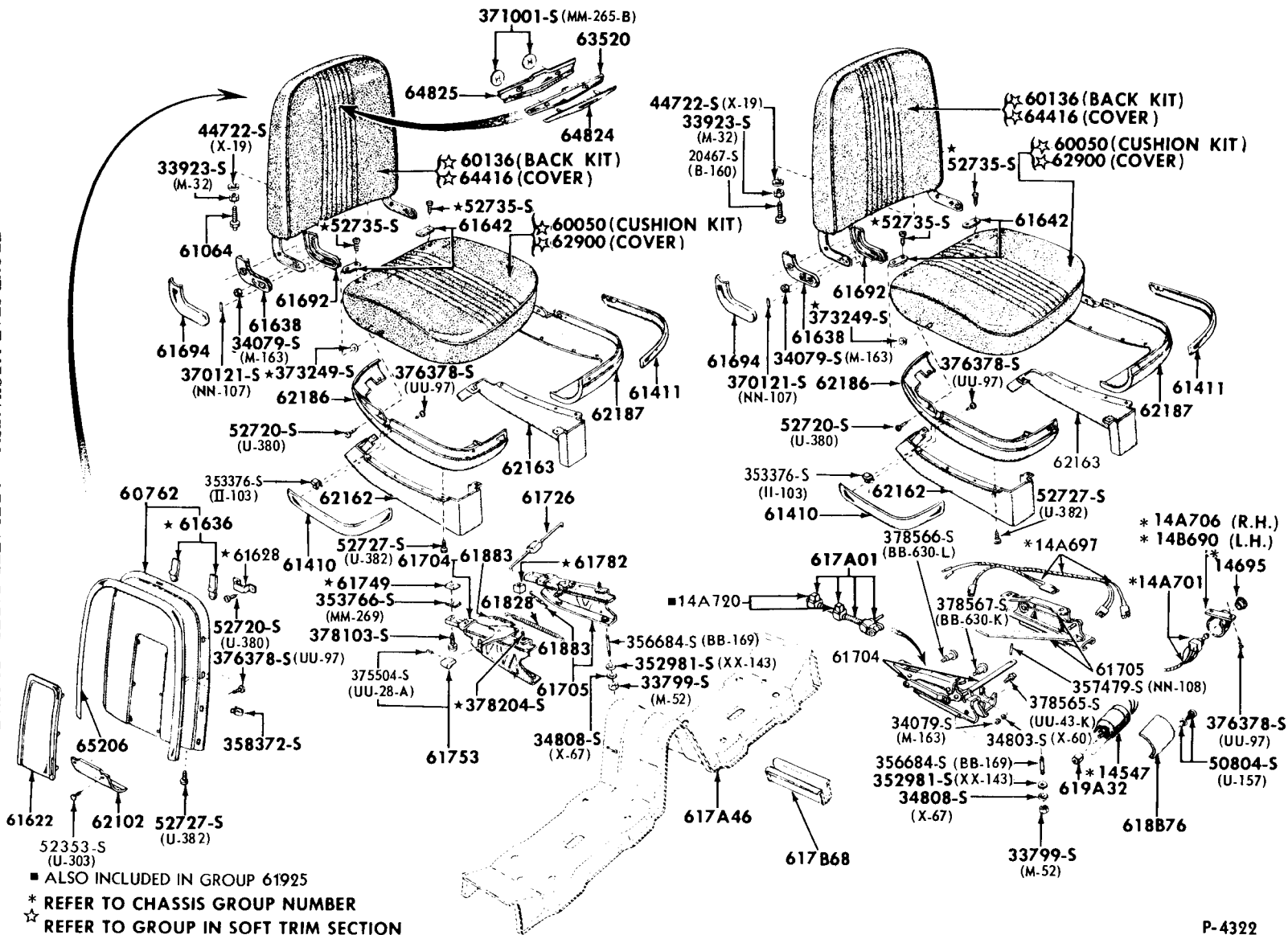
SEAT BELT INSTALLATION - TYPICAL
1960, FORD, FAIRLANE and FALCON (WITH FULL WIDTH SEAT)



●SERVICED IN GROUP 61200 (SEAT BELT KIT)

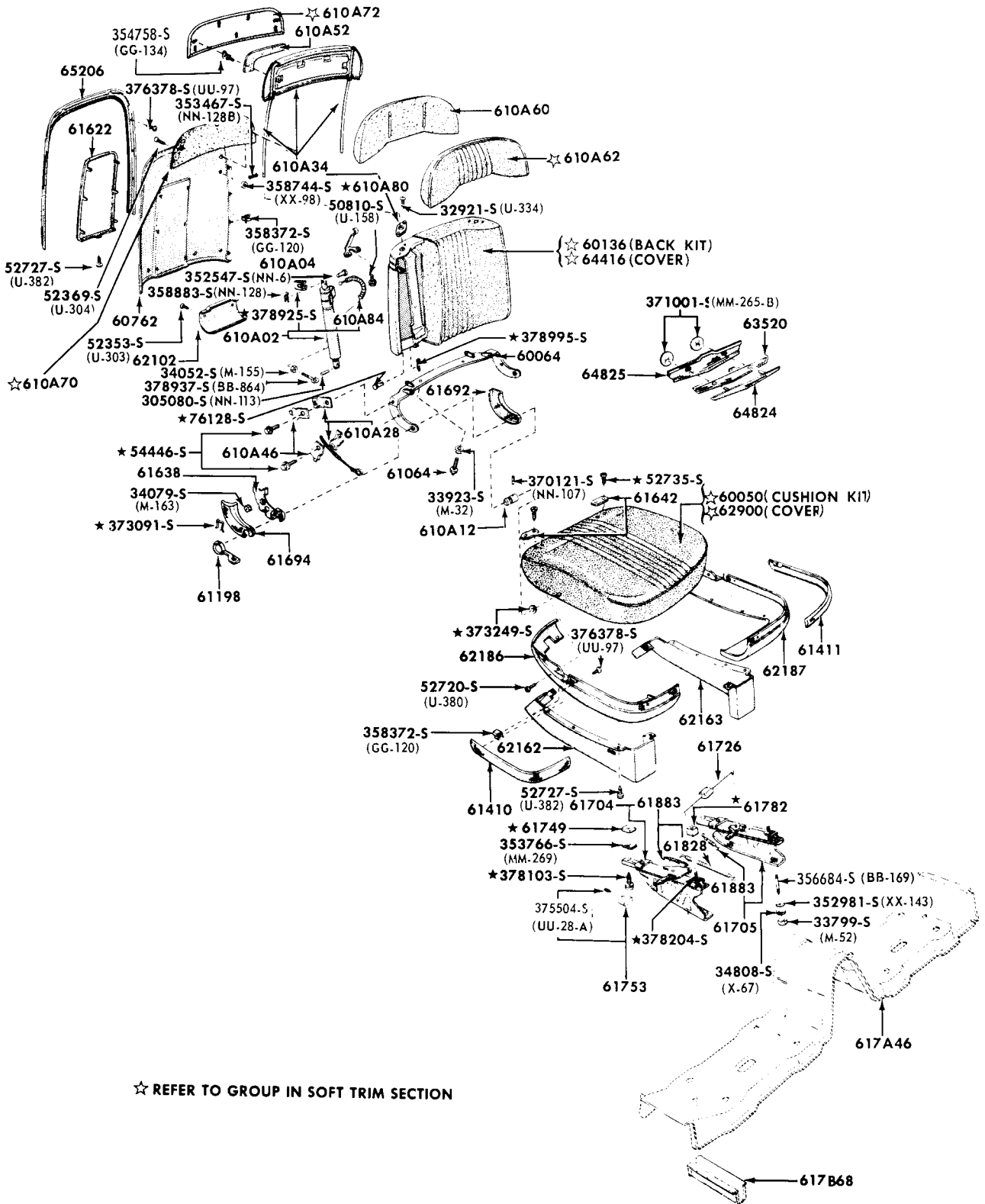
SEAT BELT INSTALLATION - TYPICAL

1960/63 THUNDERBIRD, 1961/ FORD, FAIRLANE and FALCON (WITH BUCKET SEATS)

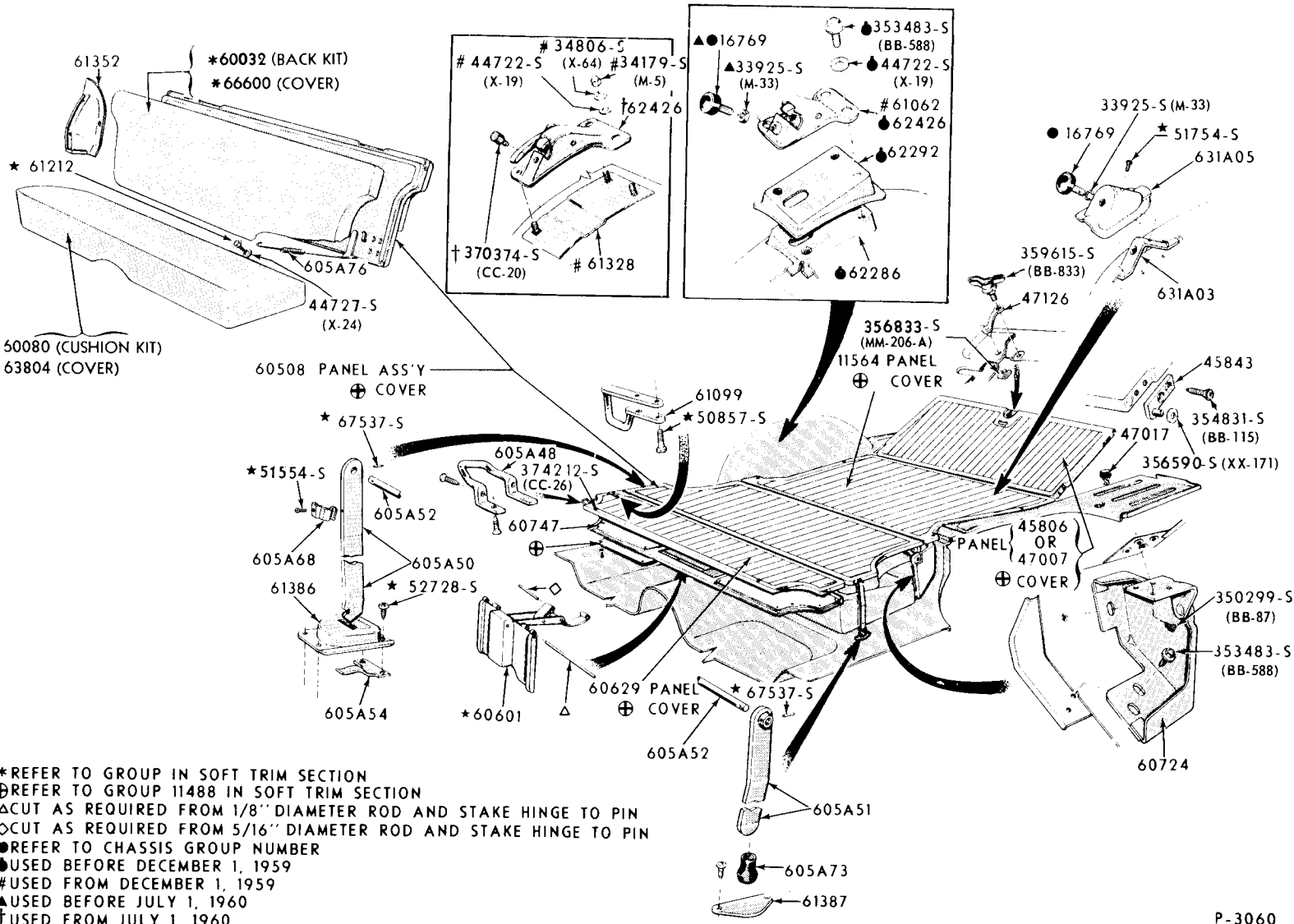


FRONT SEAT MECHANISM and RELATED PARTS - BUCKET
1964 / FORD and 1964 / THUNDERBIRD

■ ALSO INCLUDED IN GROUP 61925
 * REFER TO CHASSIS GROUP NUMBER
 ☆ REFER TO GROUP IN SOFT TRIM SECTION



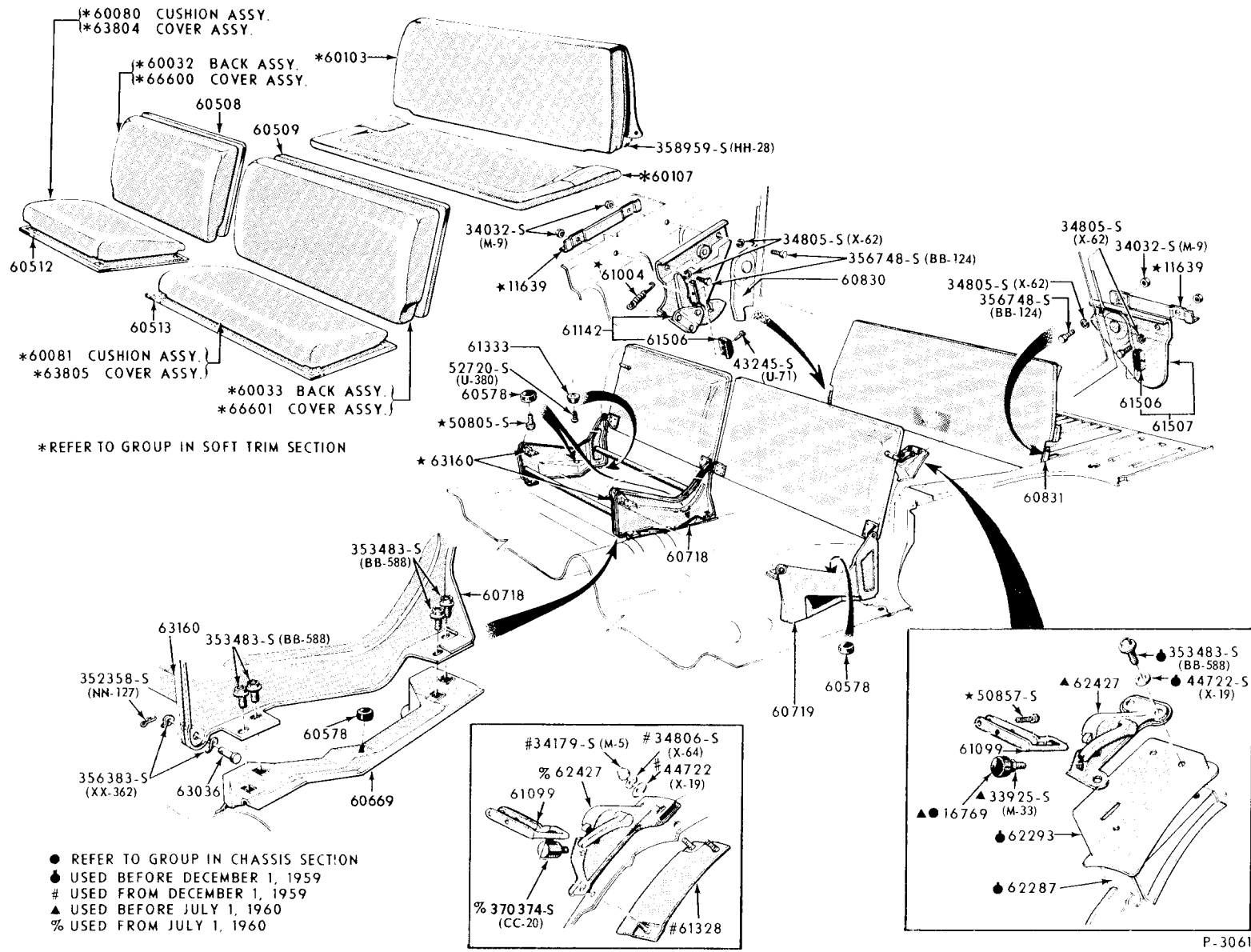
RECLINING SEAT, HEADREST and RELATED PARTS
1964 THUNDERBIRD



1960/61 FORD - BODY TYPE 59, 71 (3 PASSENGER)

REAR SEAT and RELATED PARTS

- * REFER TO GROUP IN SOFT TRIM SECTION
- ⊕ REFER TO GROUP 11488 IN SOFT TRIM SECTION
- △ CUT AS REQUIRED FROM 1/8" DIAMETER ROD AND STAKE HINGE TO PIN
- ◇ CUT AS REQUIRED FROM 5/16" DIAMETER ROD AND STAKE HINGE TO PIN
- REFER TO CHASSIS GROUP NUMBER
- USED BEFORE DECEMBER 1, 1959
- # USED FROM DECEMBER 1, 1959
- ▲ USED BEFORE JULY 1, 1960
- † USED FROM JULY 1, 1960



*60080 CUSHION ASSY.
*63804 COVER ASSY.

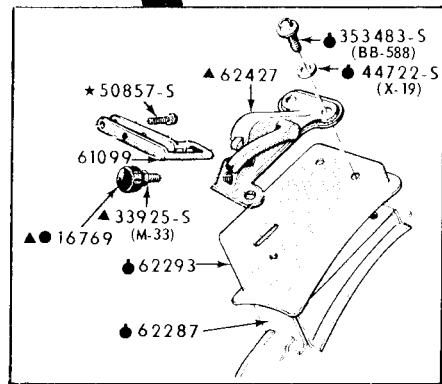
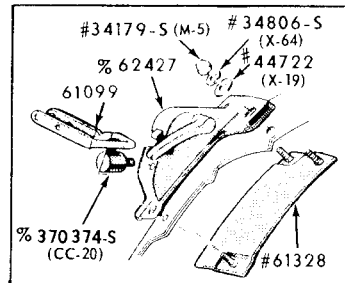
*60032 BACK ASSY.
*66600 COVER ASSY.

*60081 CUSHION ASSY.
*63805 COVER ASSY.

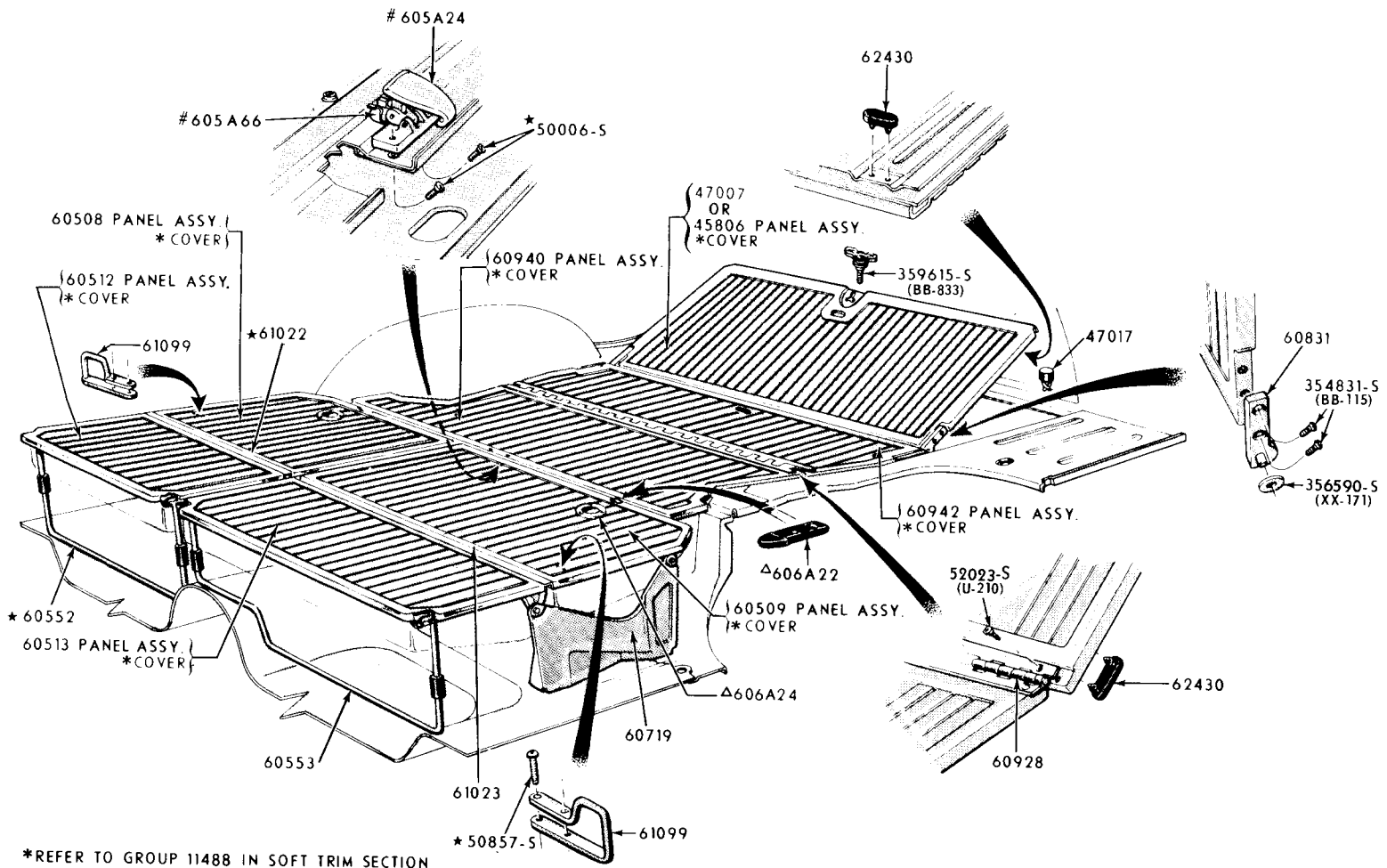
*60033 BACK ASSY.
*66601 COVER ASSY.

*REFER TO GROUP IN SOFT TRIM SECTION

● REFER TO GROUP IN CHASSIS SECTION
 ● USED BEFORE DECEMBER 1, 1959
 # USED FROM DECEMBER 1, 1959
 ▲ USED BEFORE JULY 1, 1960
 % USED FROM JULY 1, 1960



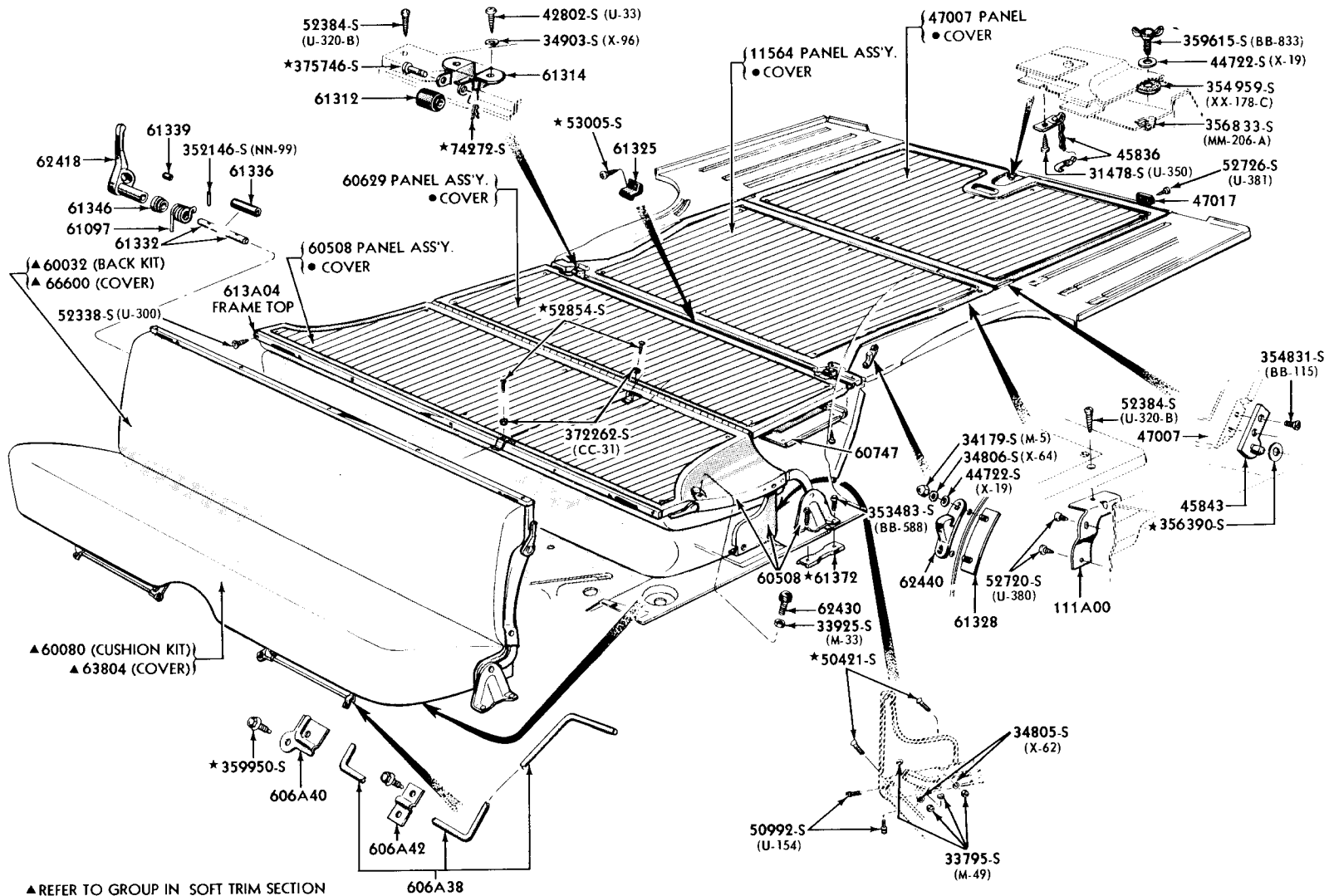
REAR and AUXILIARY SEATS and RELATED PARTS
 1960/64 FORD - BODY TYPE 71 (9 PASSENGER)



REAR and AUXILIARY SEATS and RELATED PARTS - FOLDED
1960/64 FORD - BODY TYPE 71 (9 PASSENGER)

*REFER TO GROUP 11488 IN SOFT TRIM SECTION
Δ 1961/62
1960

1962/64 FORD - BODY TYPE 71 (6 PASSENGER)
 REAR SEAT and RELATED PARTS



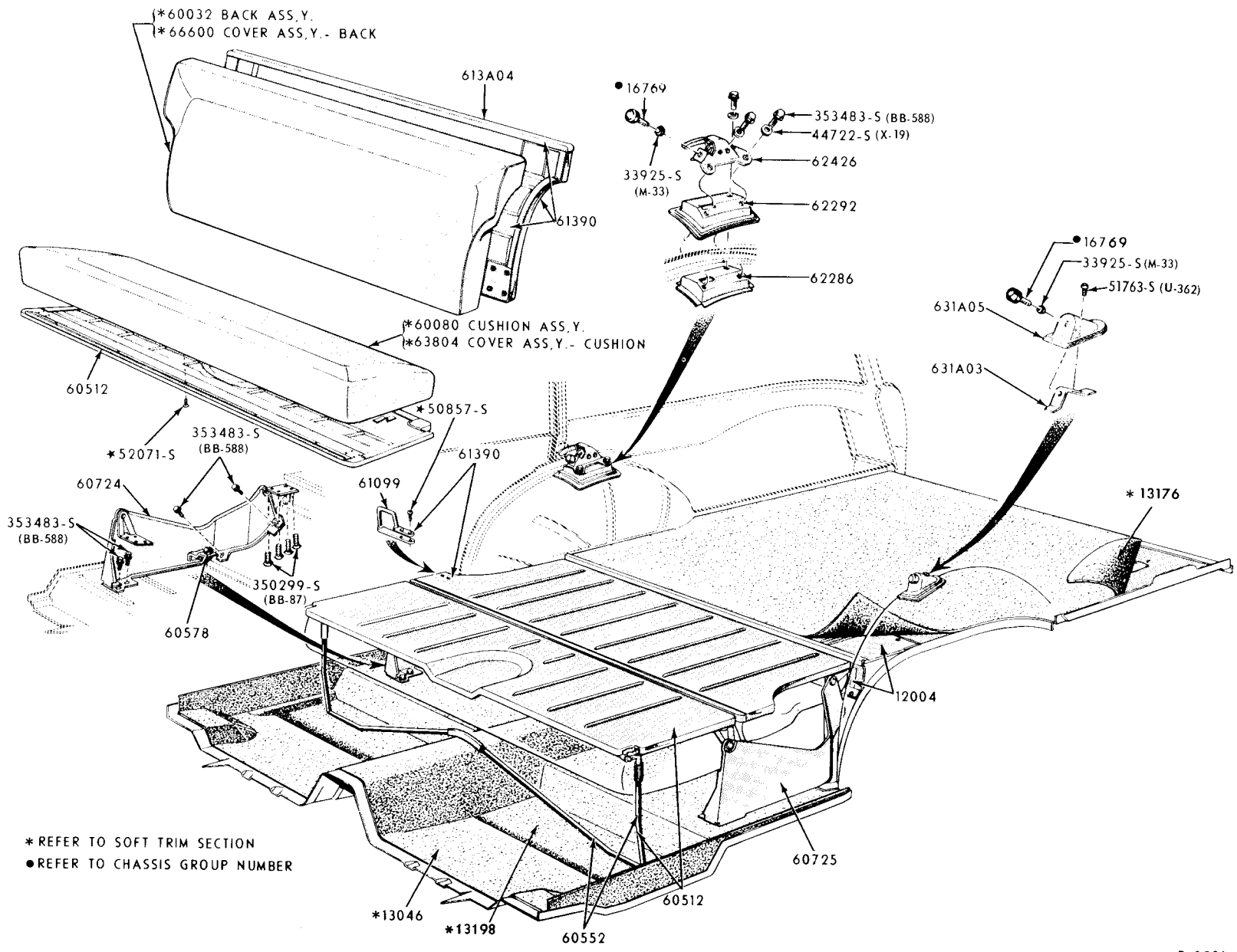
FORD CAR PARTS

BODY ILLUSTRATION
 SECTION 600

▲ REFER TO GROUP IN SOFT TRIM SECTION
 REFER TO GROUP 11488 IN SOFT TRIM SECTION

P-3780

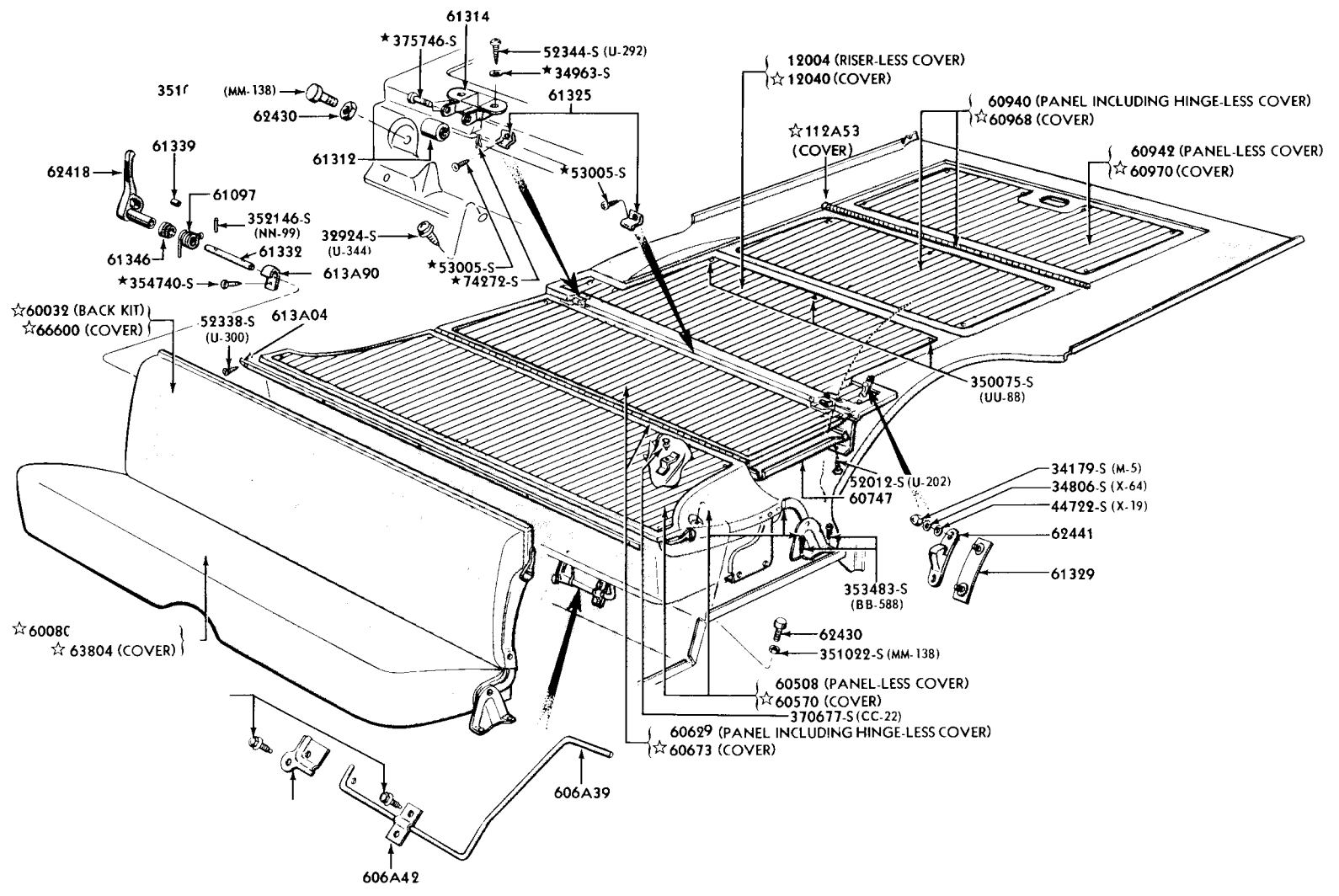
REAR SEAT and RELATED PARTS
1960, FALCON - BODY TYPE 59, 71



* REFER TO SOFT TRIM SECTION
 ● REFER TO CHASSIS GROUP NUMBER

FORD CAR PARTS BODY ILLUSTRATION SECTION 600

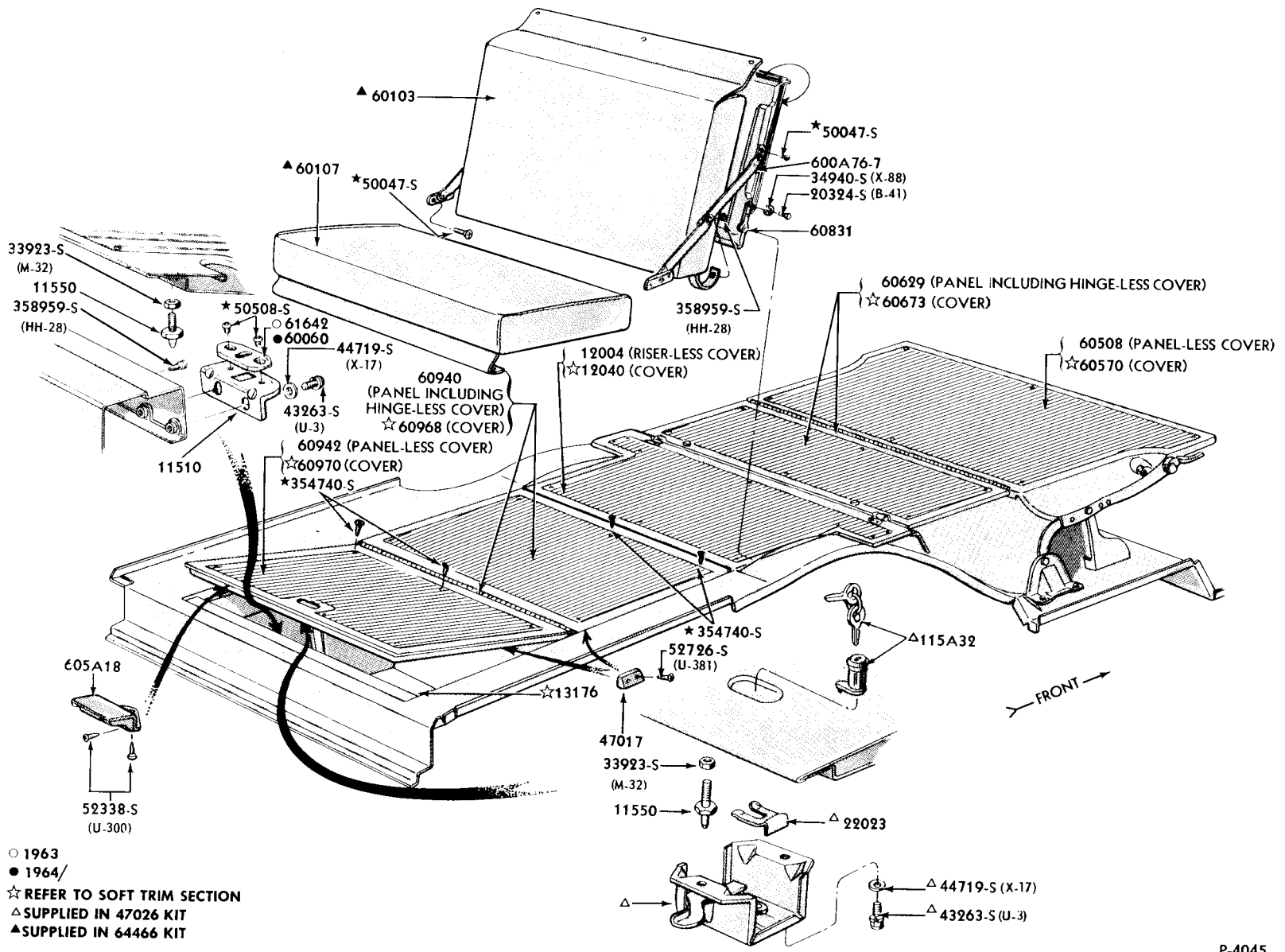
REAR SEAT, AUXILIARY FLOOR and RELATED PARTS
1963 / FAIRLANE - BODY TYPE 71



☆ REFER TO GROUP IN SOFT TRIM SECTION

P-4044

AUXILIARY SEAT, STORAGE COMPARTMENT and RELATED PARTS
1963/ FAIRLANE - BODY TYPE 71

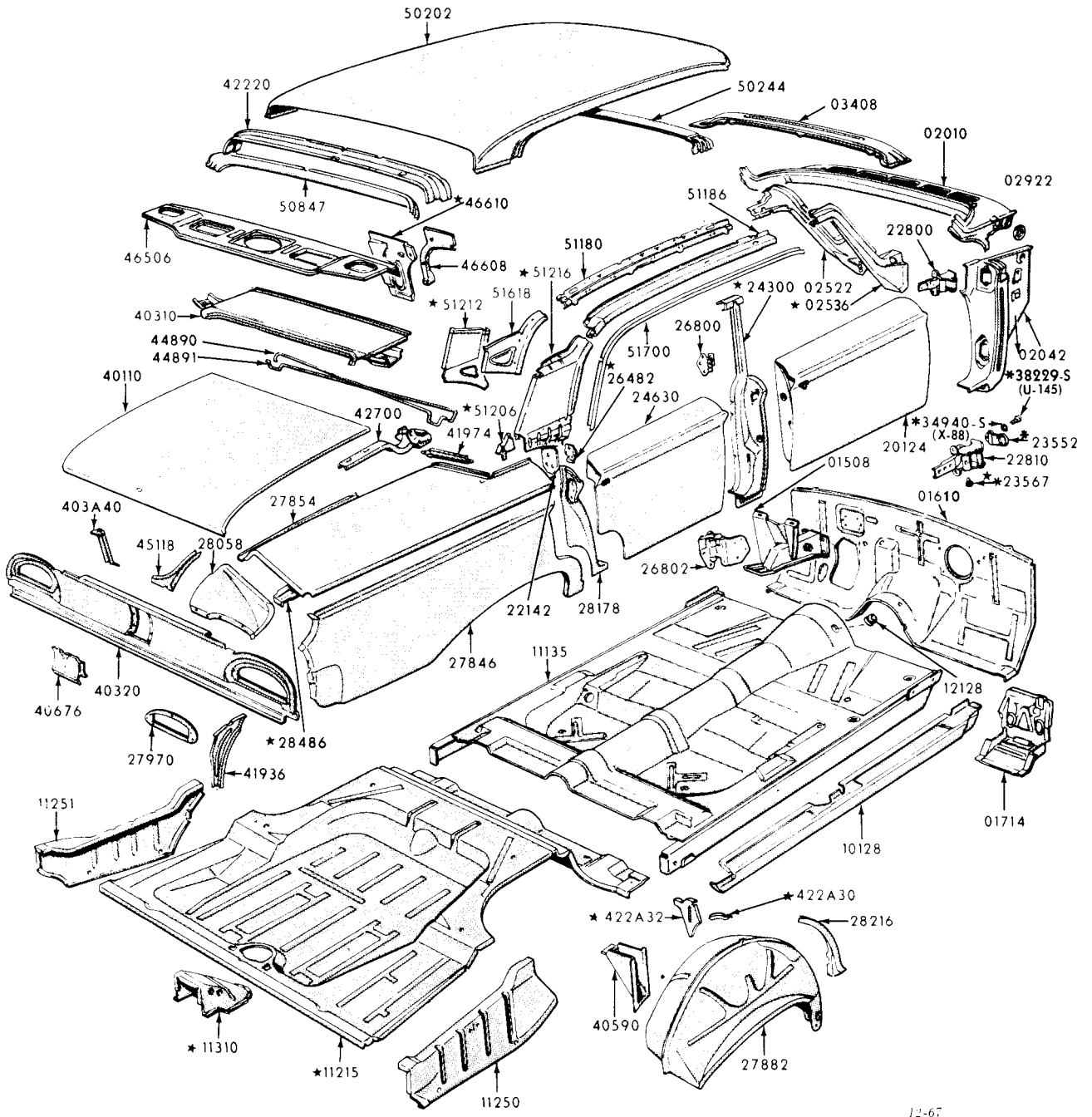


BODY SHEET METAL and RELATED PARTS - continued

Body Type	Title	Illustration No.	Page No.	Body Type	Title	Illustration No.	Page No.
1963							
A(54)	"Galaxie" Town Sedan	P-3989	790	X(54)	Falcon Fordor - Upper Body	P-4005	833
A(62)	"Galaxie" Club Sedan	P-3990	791	X(59,78)	Falcon Ranch Wagon & Sedan Delivery - Upper Body	P-3010	830
A(63)	"Galaxie 500" Club Victoria-Fastback	P-3991	792	X(62)	Falcon Tudor	P-3814	834
A(65)	"Galaxie" Club Victoria	P-3992	793	X(63)	Falcon Futura Hardtop-Upper Body	P-4002	835
A(71)	Station Wagon	P-3995	794	X(66A)	Falcon Ranchero-Upper Body	P-3012	831
A(75)	"Galaxie" Town Victoria	P-3993	795	X(71A)	Falcon Station Wagon-Upper Body	P-3197	832
A(76)	"Galaxie" Convertible Coupe	P-3994	796	X(76)	Falcon Convertible Coupe-Upper Body	P-4003	837
B(54)	Fairlane Fordor - Upper Body	P-3996	807	X(76)	Falcon Convertible Coupe-Underbody	P-4004	836
B(62)	Fairlane Tudor - Upper Body	P-3997	808	X(54, 58A, 62, 63, 64)	Falcon - Underbody	P-3019	826
B(65)	Fairlane Tudor Hardtop - Upper Body	P-3998	809	X(59, 66, 71, 78)	Falcon - Underbody	P-3222	829
B(71)	Fairlane Station Wagon - Upper Body	P-3999	811				
B(71)	Fairlane Station Wagon - Underbody	P-4001	810				
B	Fairlane - Underbody (except 71)	P-4000	806				
S(63)	Thunderbird Hardtop-Upper Body	P-3307	820				
S(76)	Thunderbird Convertible-Upper Body	P-3308	821				
S	Thunderbird Underbody	P-3309	819				

1964

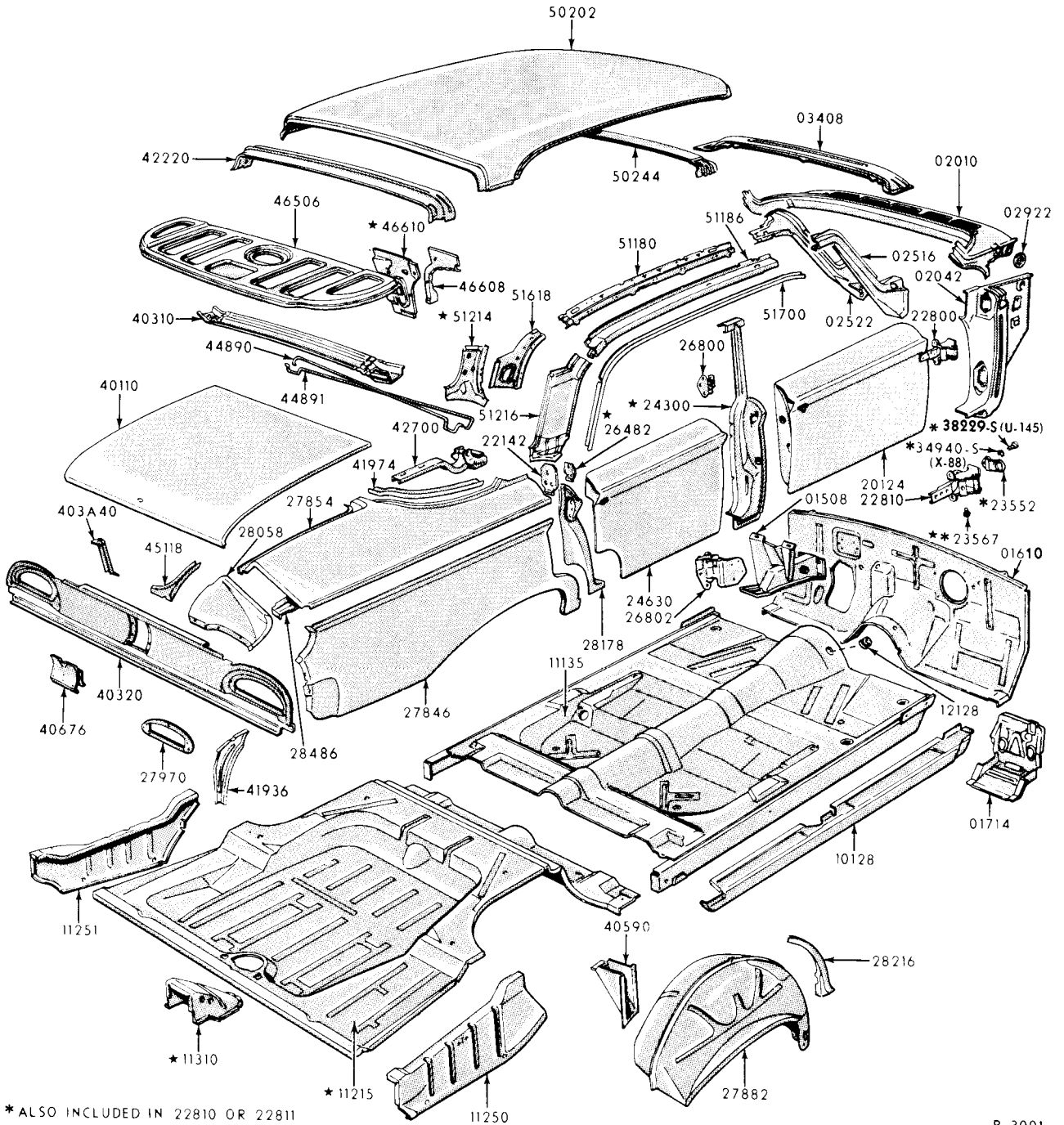
A(54)	Town Sedan	P-4303	797	X(54)	Falcon Fordor-Upper Body	P-4313	838
A(57)	Town Victoria	P-4304	798	X(59A)	Falcon Tudor Station Wagon-Upper Body	P-4314	839
A(62)	Club Sedan	P-4305	799	X(62)	Falcon Tudor - Upper Body	P-4315	840
A(63)	Club Victoria-Fastback	P-4306	800	X(63)	Falcon "Futura" Hardtop-Upper Body	P-4316	841
A(71)	Station Wagon	P-4307	801	X(66)	Falcon "Ranchero"-Upper Body	P-4317	842
A(76)	Convertible Coupe	P-4308	802	X(71)	Falcon Fordor Station Wagon-Upper Body	P-4318	843
B(54)	Fairlane Fordor-Upper Body	P-4309	812	X(76)	Falcon Convertible Coupe-Upper Body	P-4319	844
B(62)	Fairlane Tudor-Upper Body	P-4310	813	X(78)	Falcon Sedan Delivery-Upper Body	P-4325	845
B(65)	Fairlane "500" Hardtop-Upper Body	P-4311	814	X(54, 62, 63)	Falcon Underbody	P-3019	826
B(71)	Fairlane Station Wagon-Upper Body	P-4312	815	X(59, 63, 71, 78)	Falcon Underbody	P-3222	829
B(71)	Fairlane Station Wagon-Underbody	P-4001	810	X(76)	Falcon Convertible Underbody	P-4004	836
B	Fairlane Underbody (except 71)	P-4000	806				
S(63)	Thunderbird Hardtop-Upper Body	P-4320	823				
S(63)	Thunderbird Hardtop-Underbody	P-4334	822				
S(76)	Thunderbird Convertible-Upper Body	P-4321	825				
S(76)	Thunderbird Convertible-Underbody	P-4335	824				

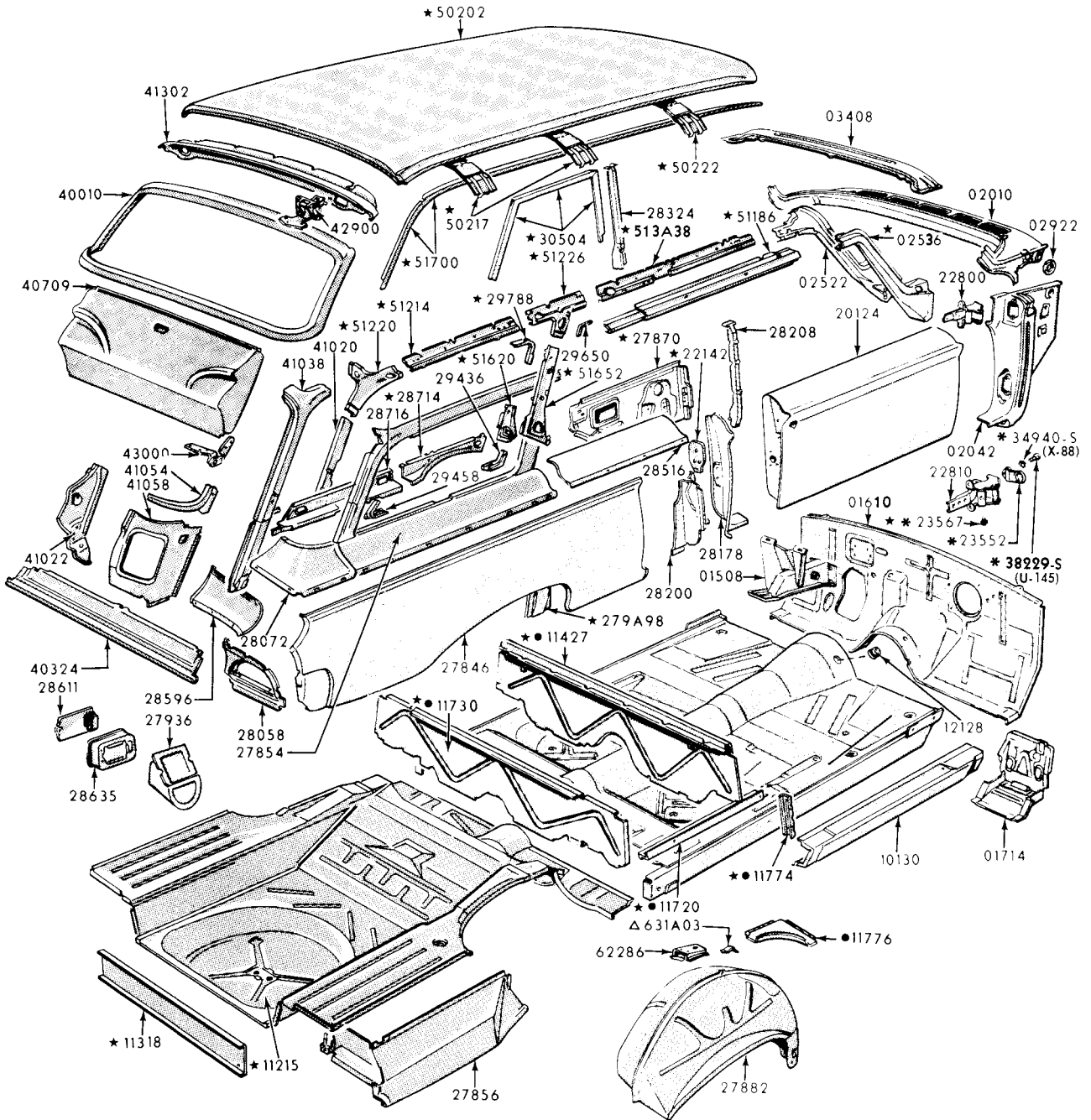


12-67

* ALSO INCLUDED IN 22810 OR 22811

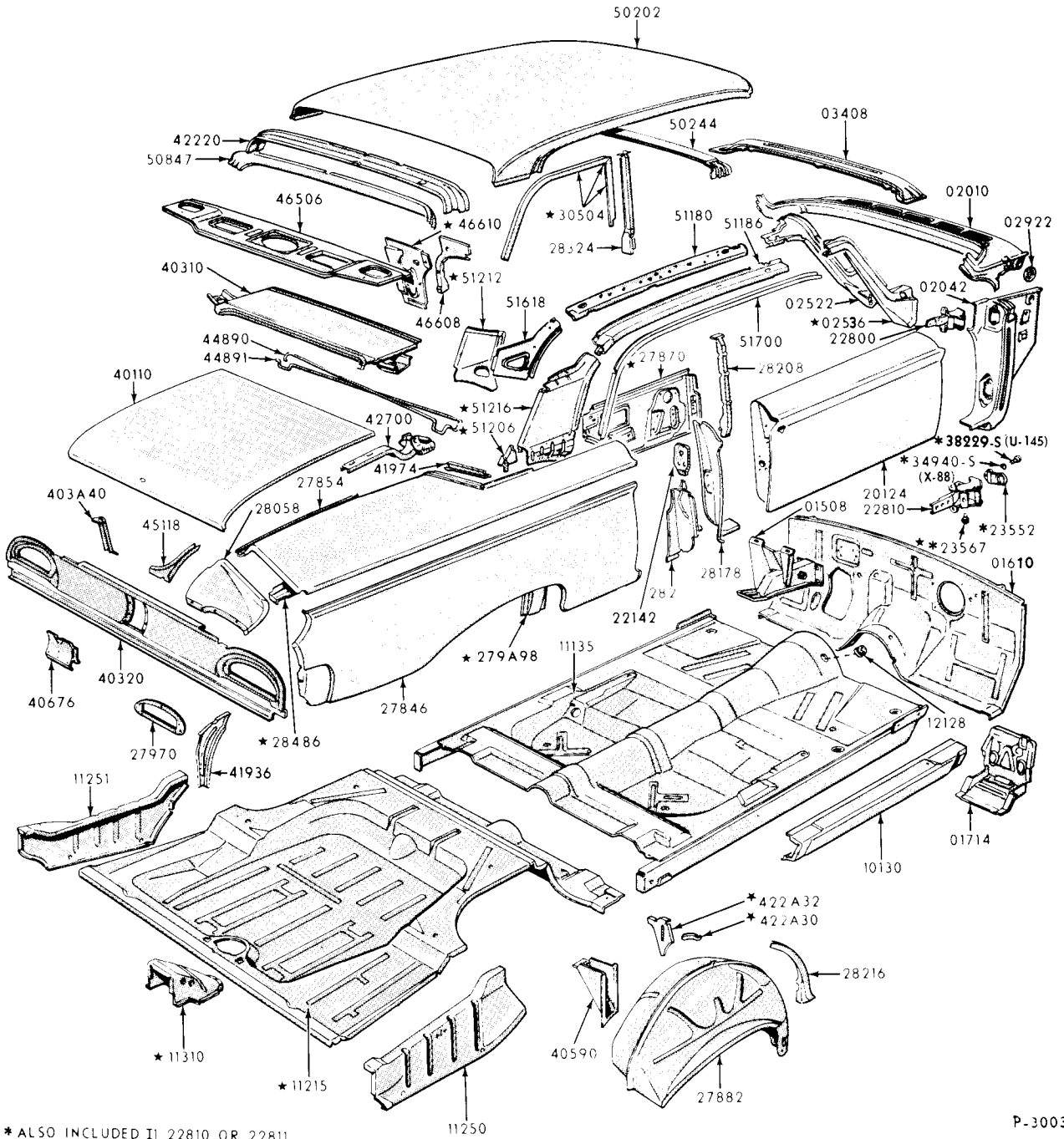
P-3000

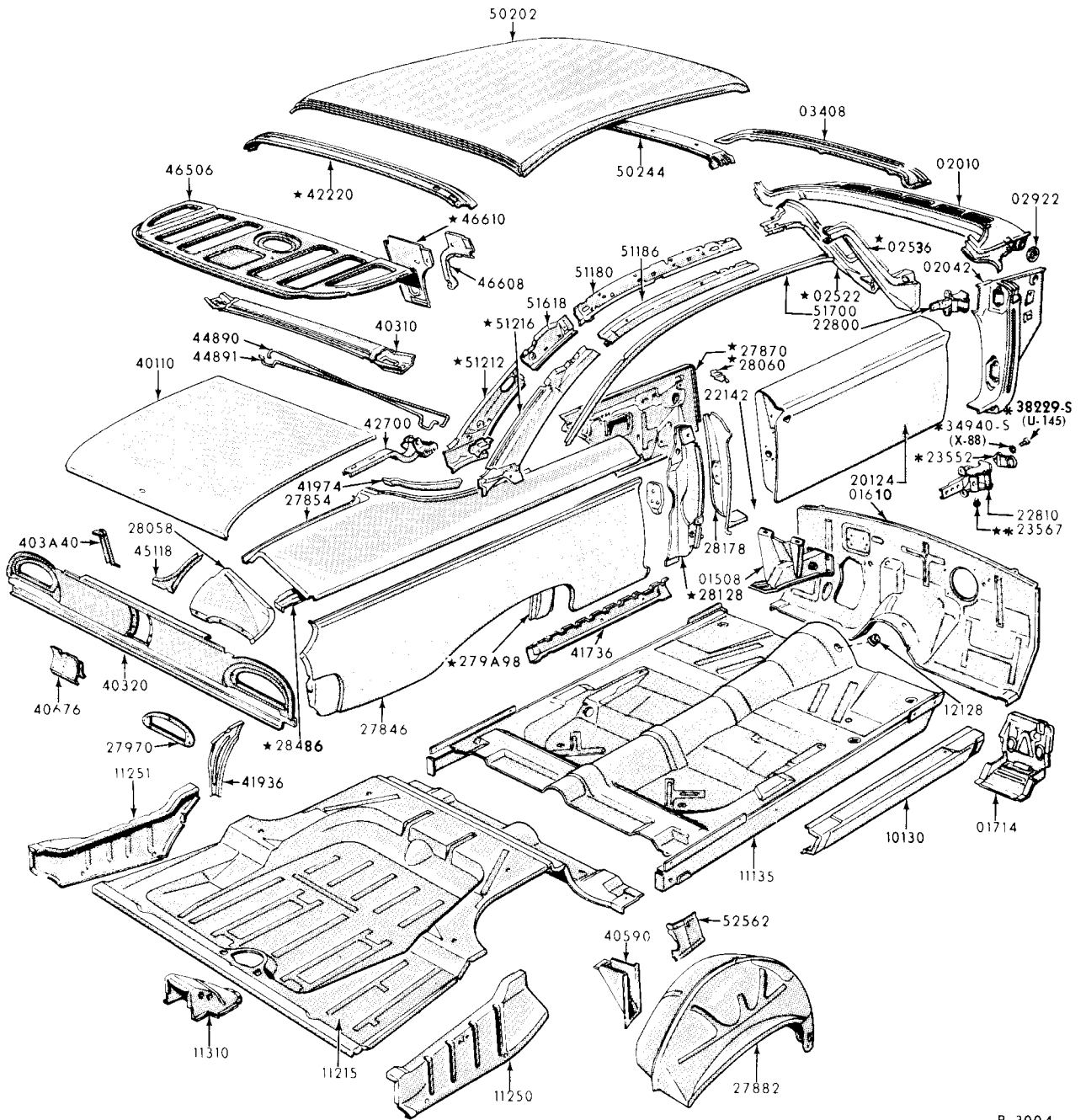




- Δ L.H. SIDE ONLY
- USED ON 59E (COURIER) ONLY
- * ALSO INCLUDED IN 22810 OR 22811

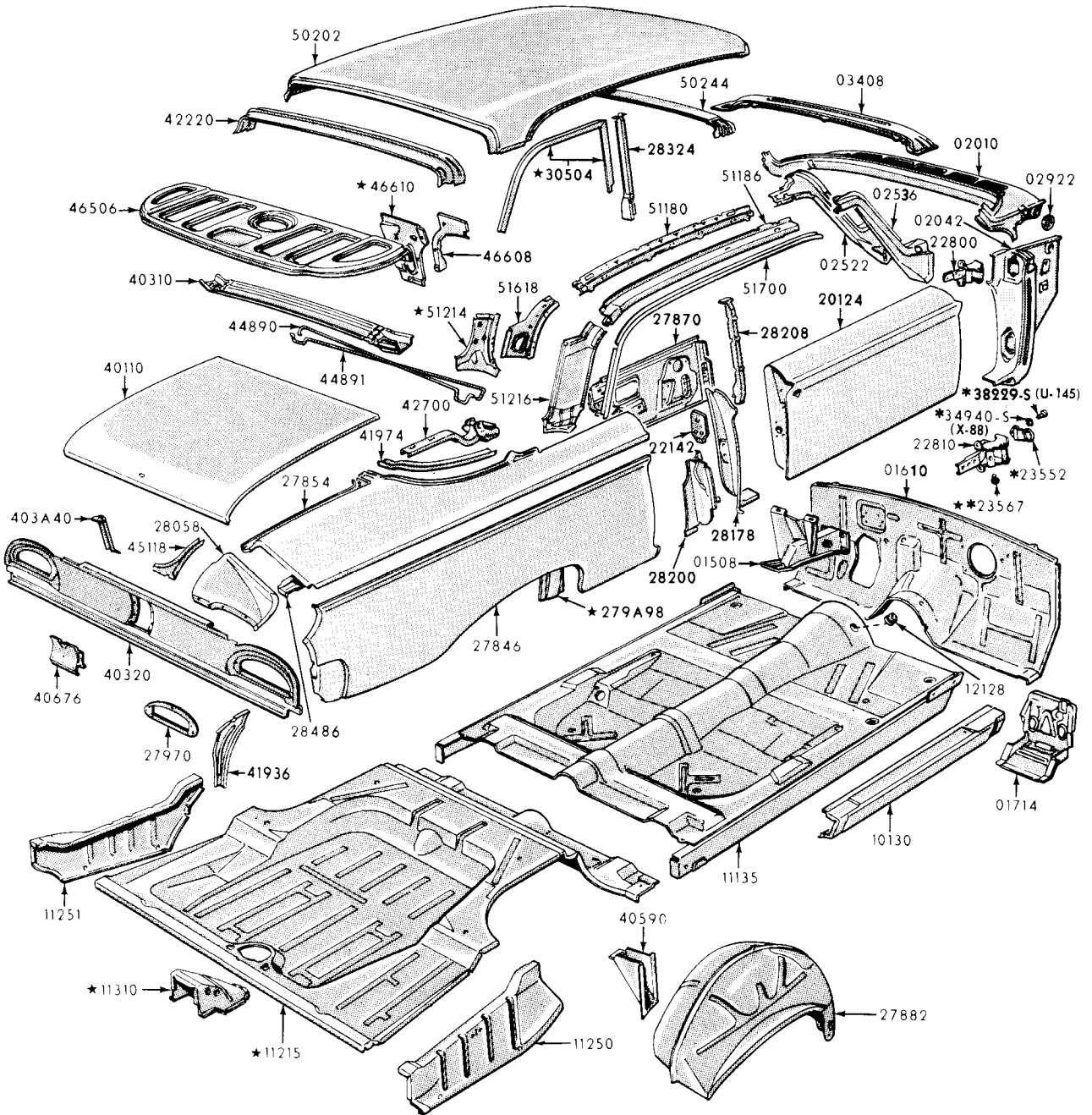
P-3002





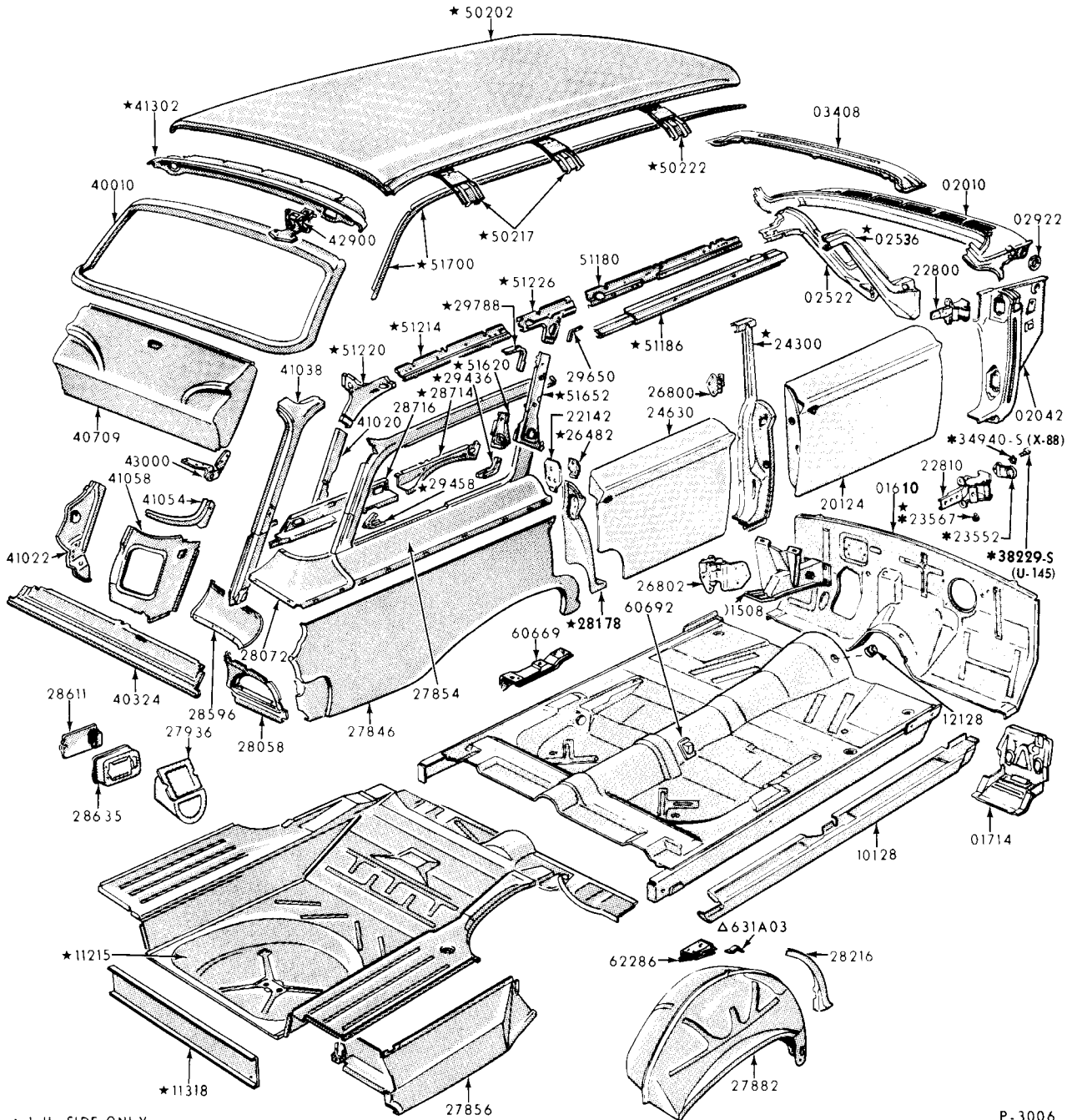
P-3004

*ALSO INCLUDED IN 22810 OR 22811



ALSO INCLUDED IN 22810 OR 22811

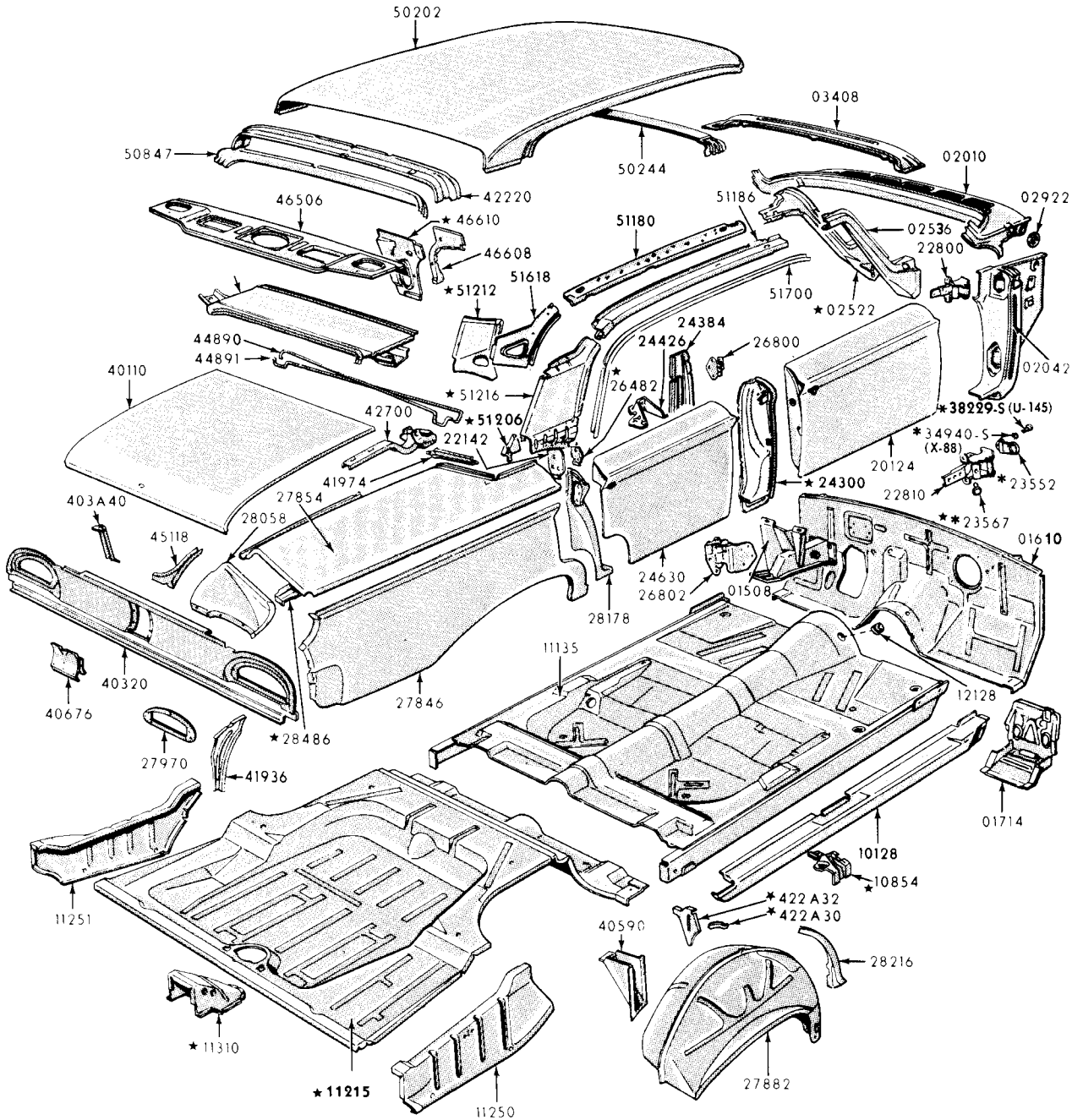
P-3005



Δ L.H. SIDE ONLY

* ALSO INCLUDED IN 22810 OR 22811

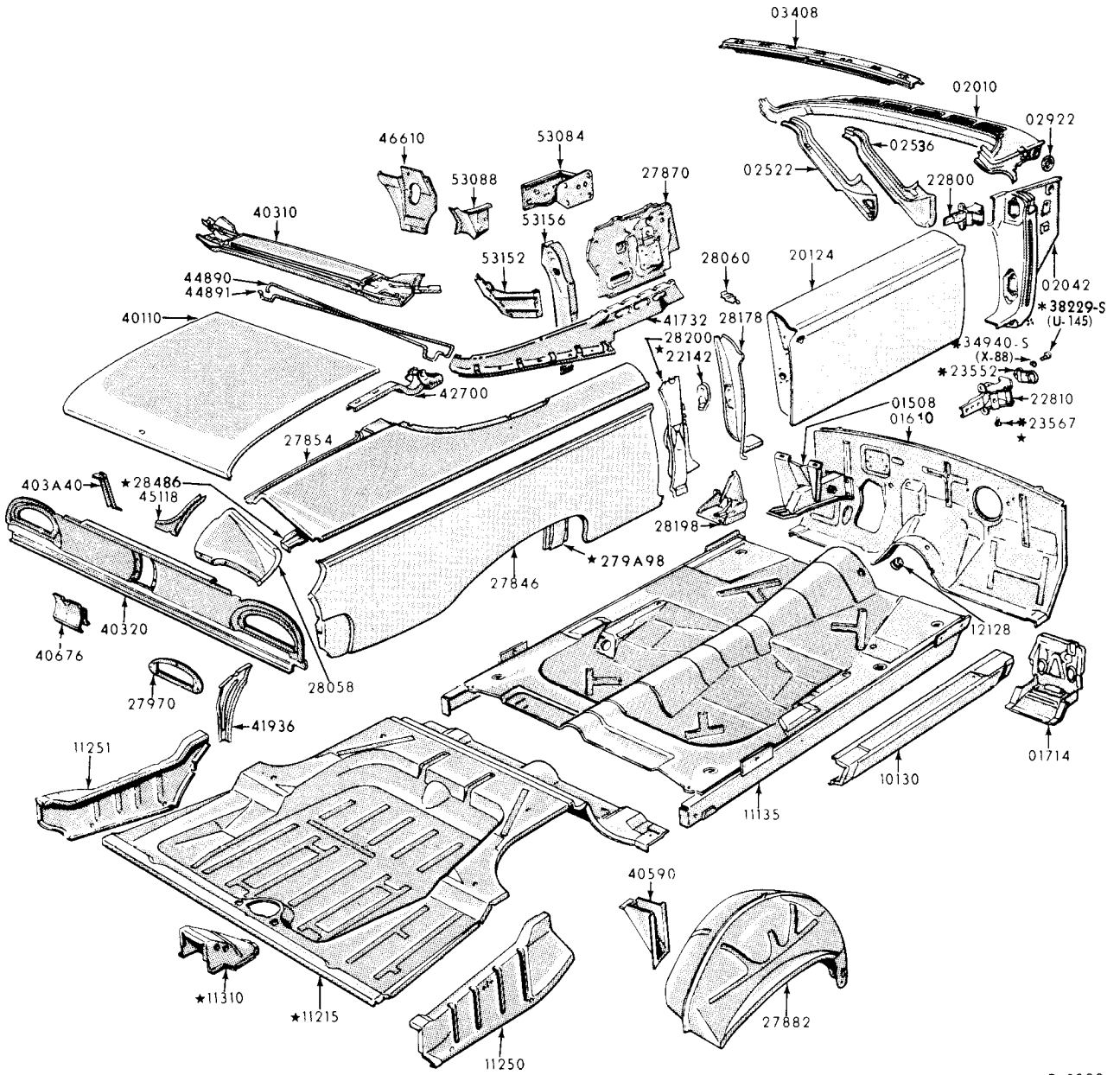
P-3006



* ALSO INCLUDED IN 22810 OR 22811

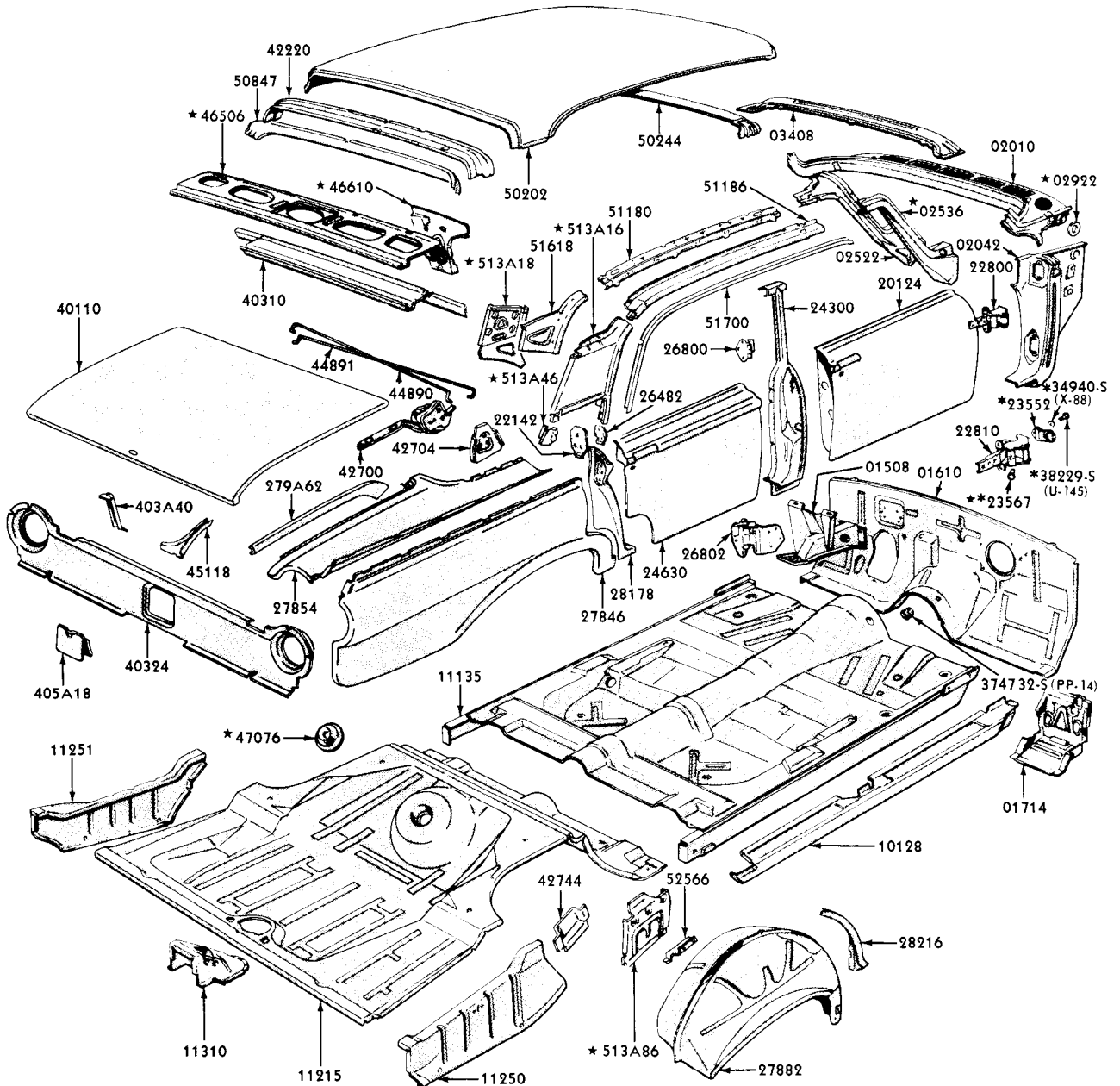
P-3007

1960 "GALAXIE" TOWN VICTORIA (BODY TYPE 75A)



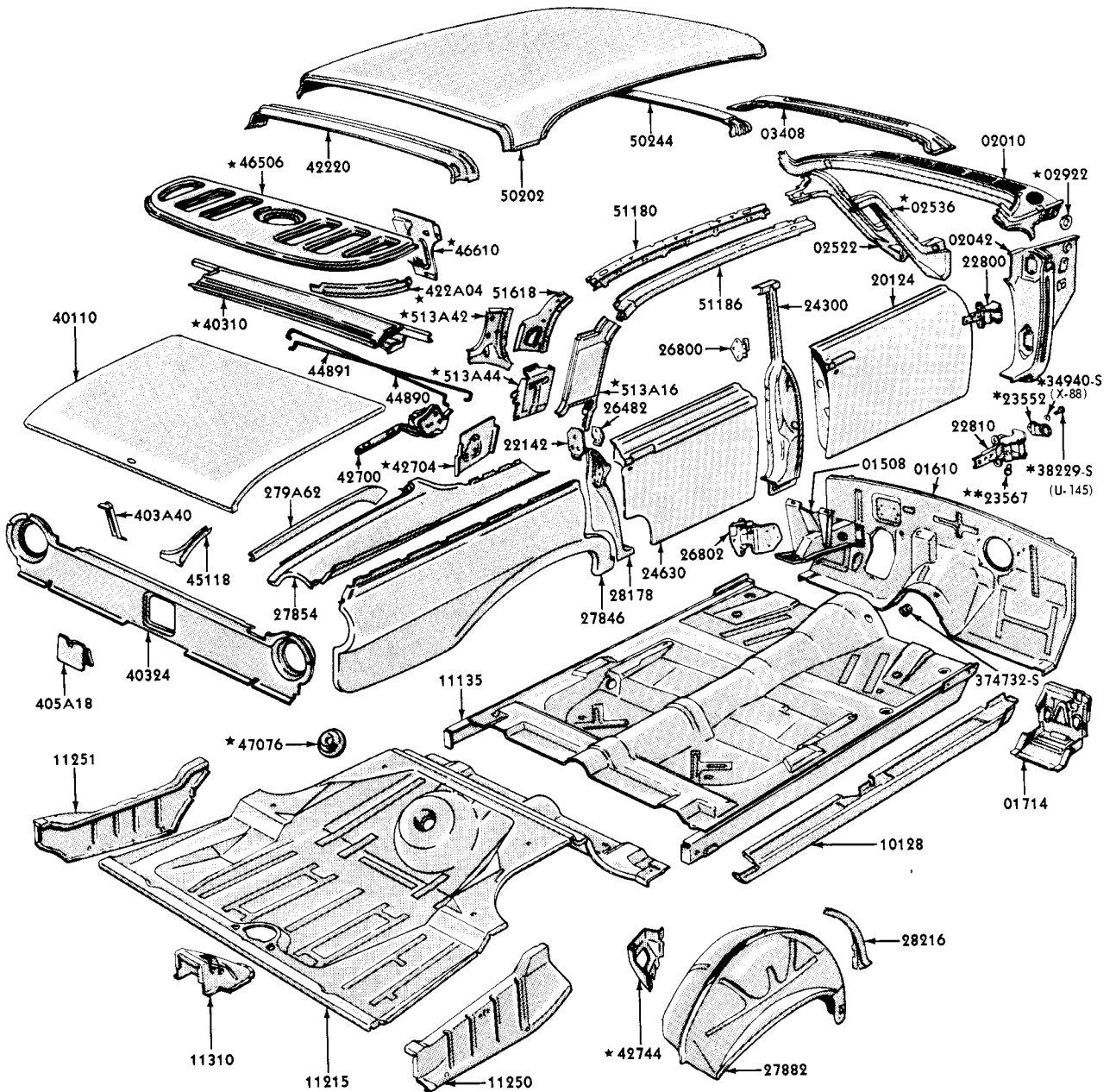
P-3008

* ALSO INCLUDED IN 22810 OR 22811



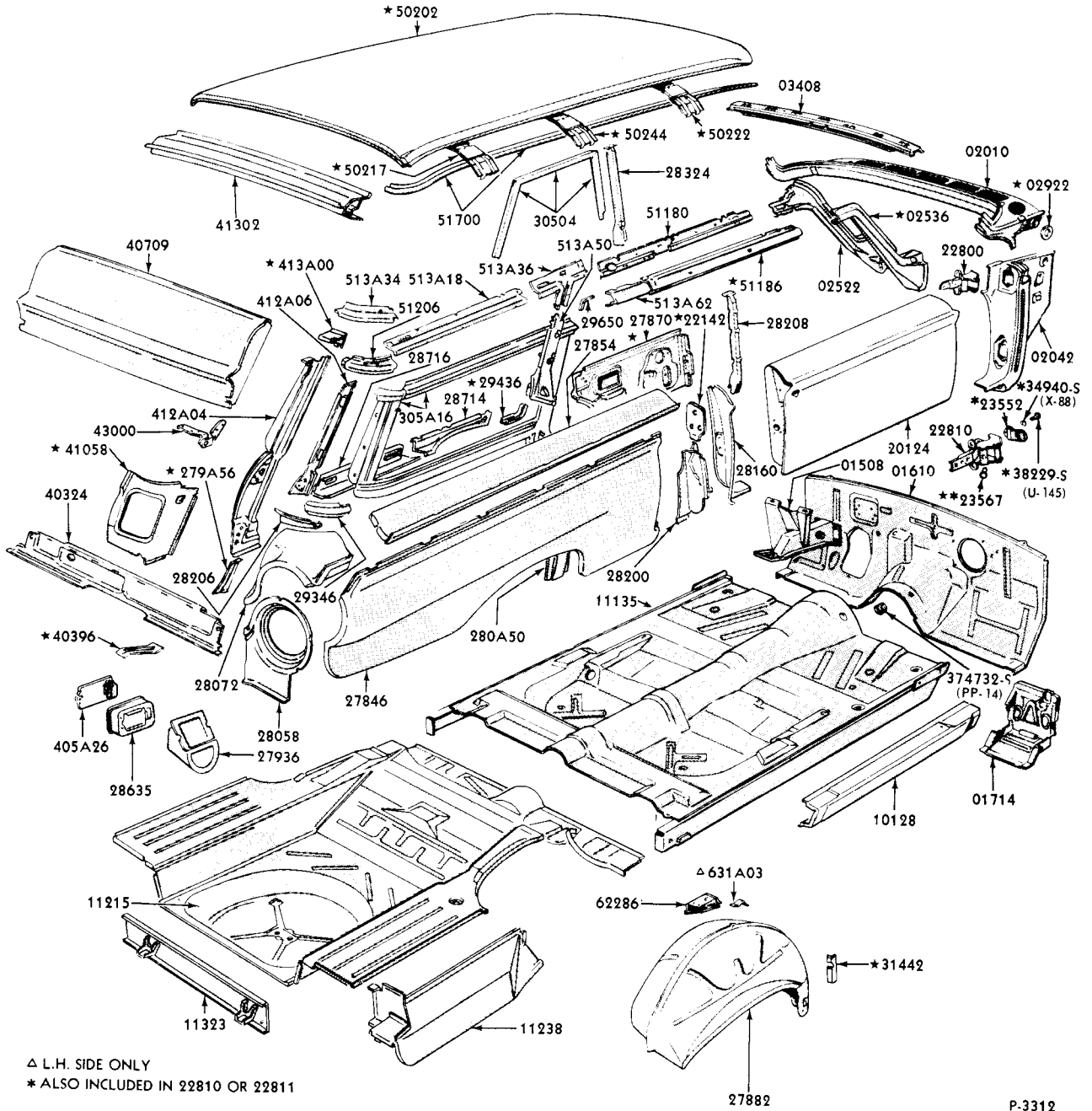
* ALSO INCLUDED IN 22810 OR 22811

P-3310

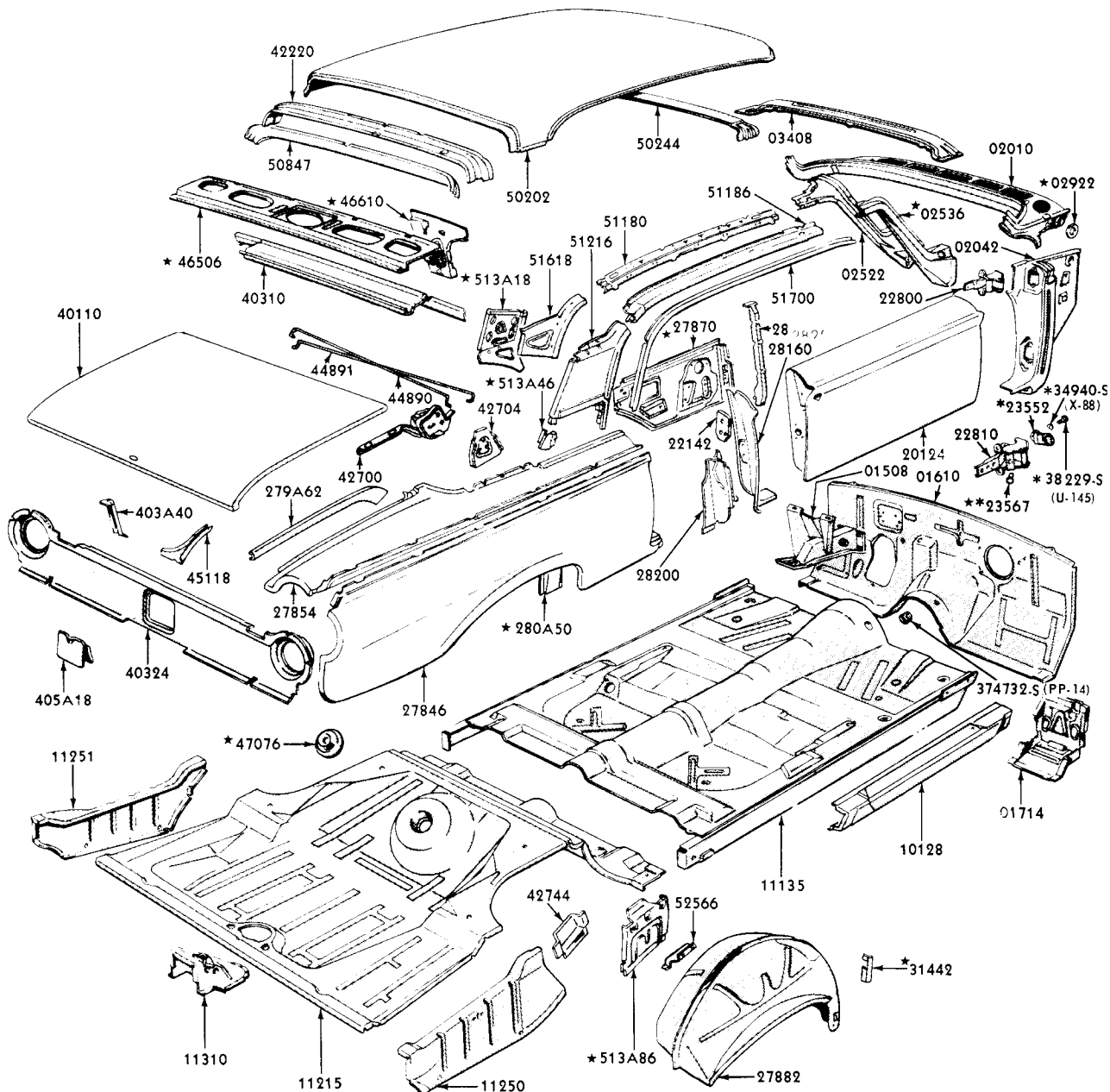


*ALSO INCLUDED IN 22810 OR. 22811

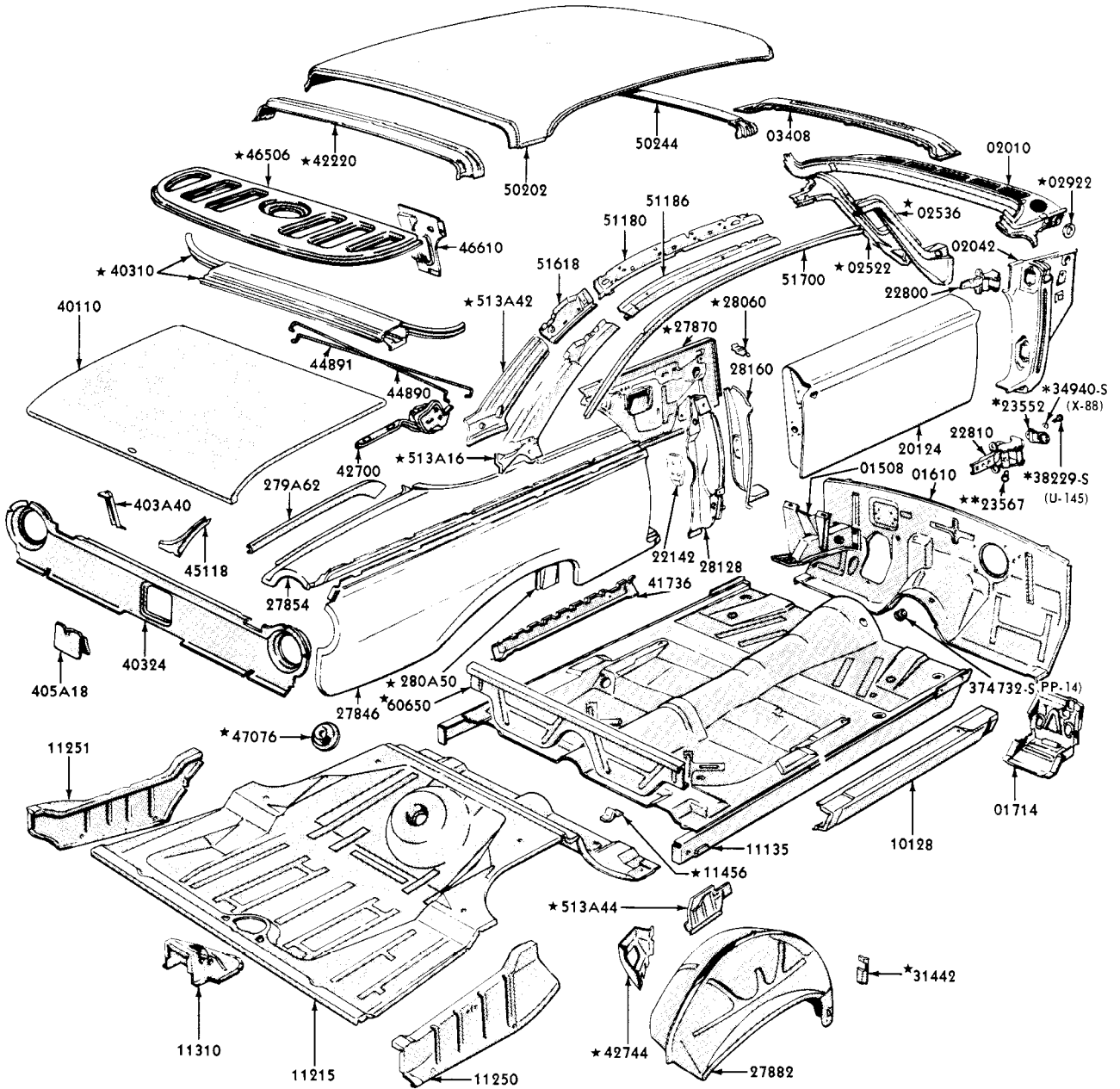
P.3311



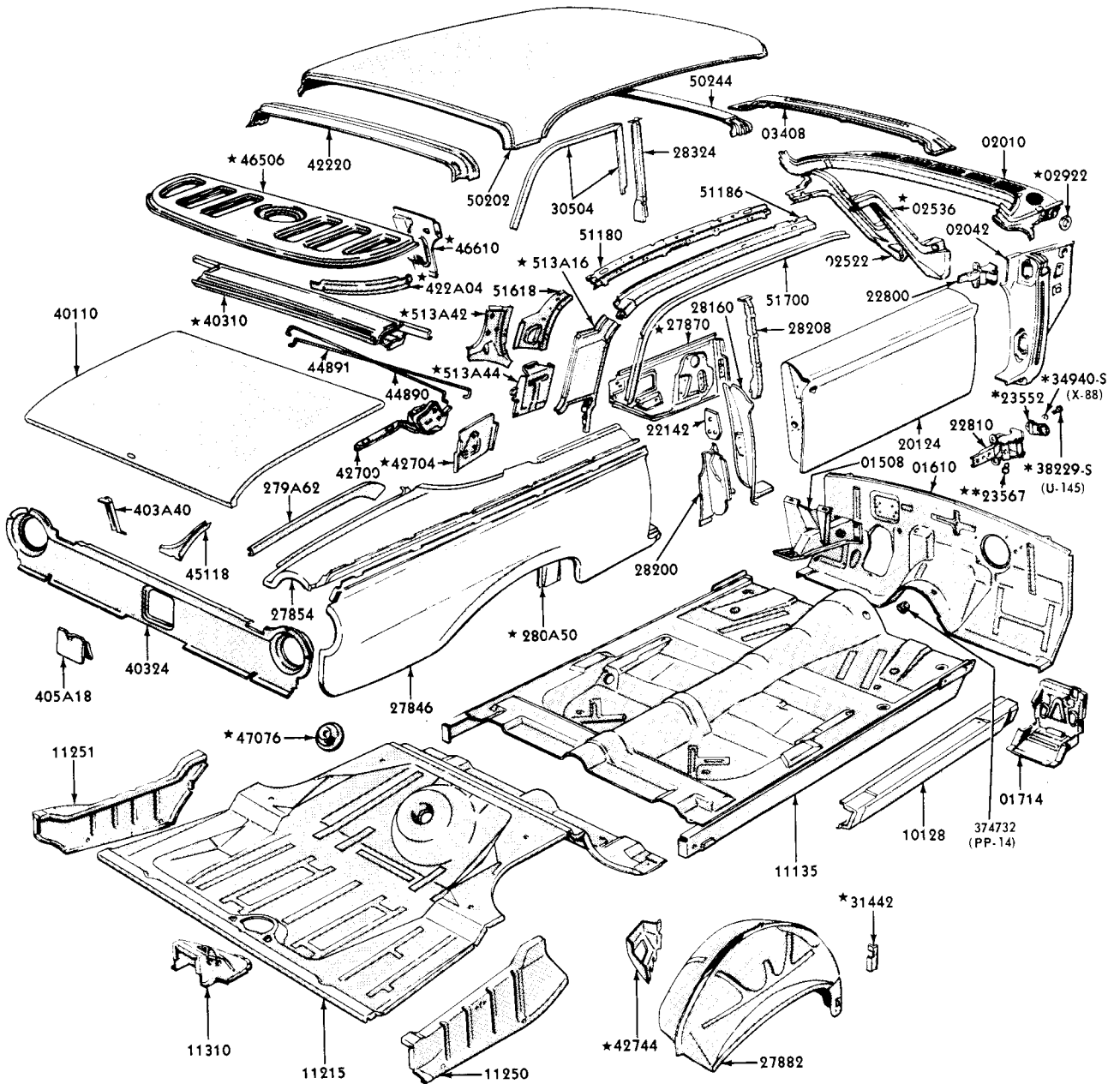
Δ L.H. SIDE ONLY
 * ALSO INCLUDED IN 22810 OR 22811



*ALSO INCLUDED IN 22810 OR 22811

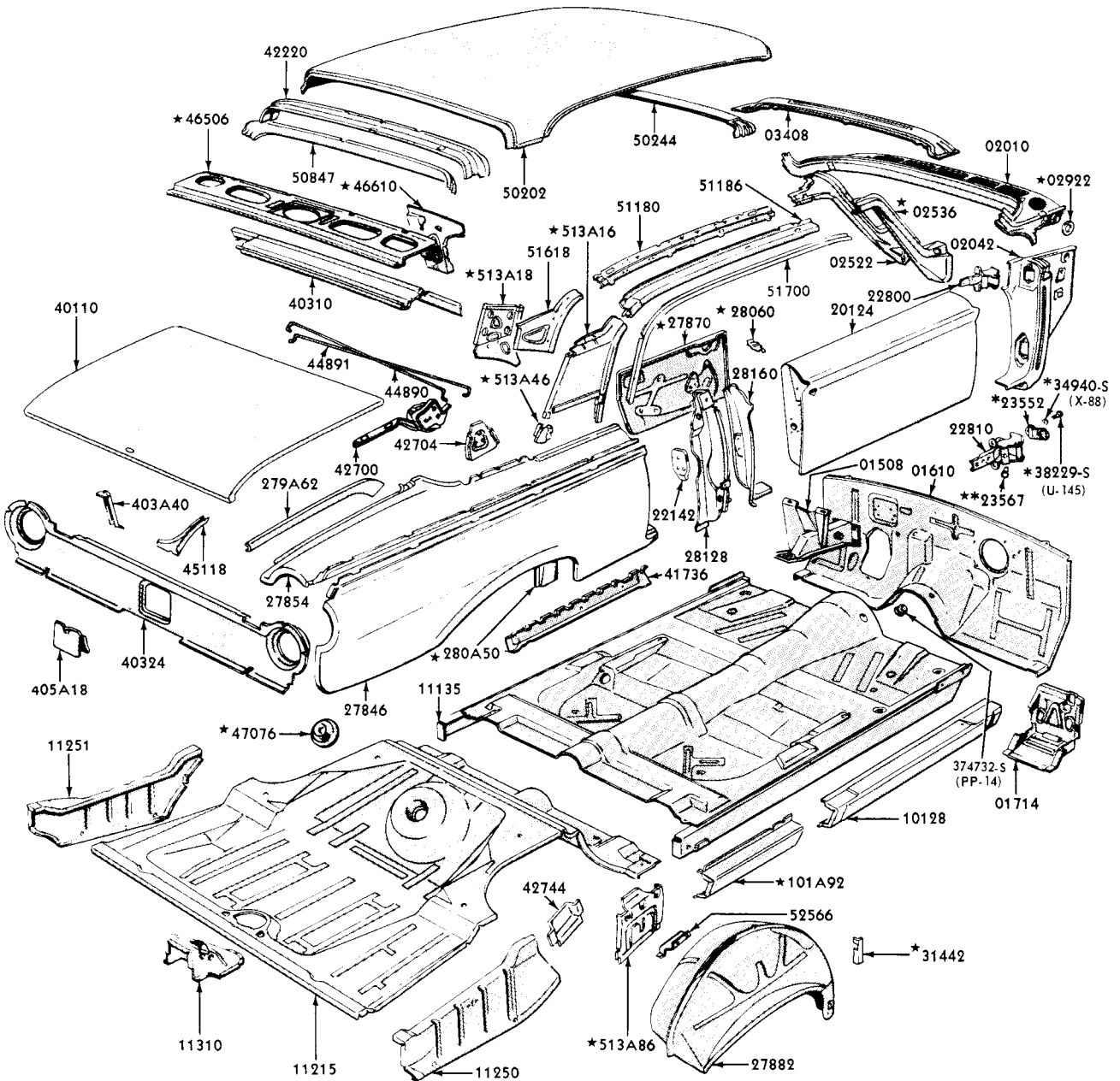


*ALSO INCLUDED IN 22810 OR 22811



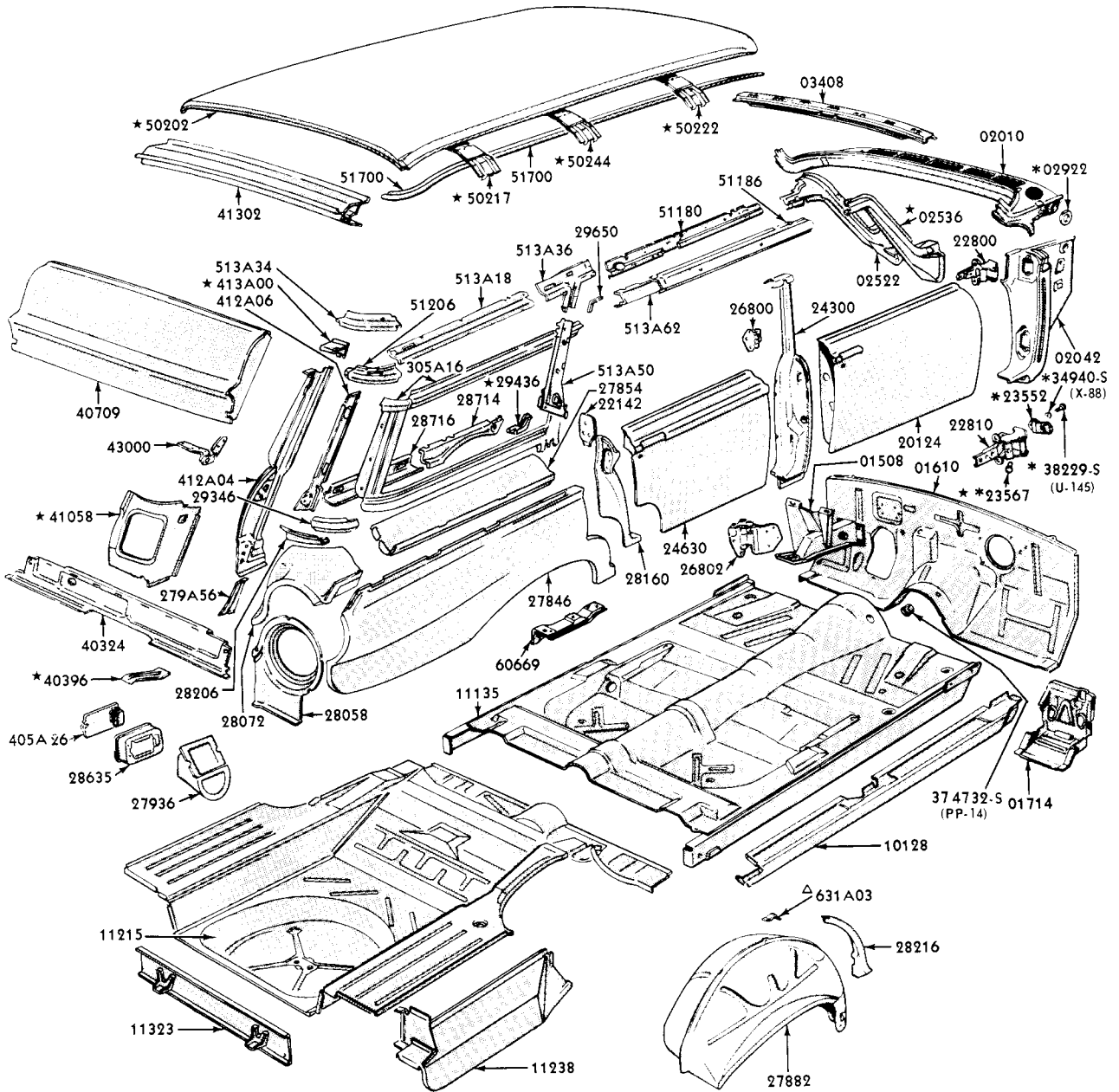
*ALSO INCLUDED IN 22810 OR 22811

P-3315



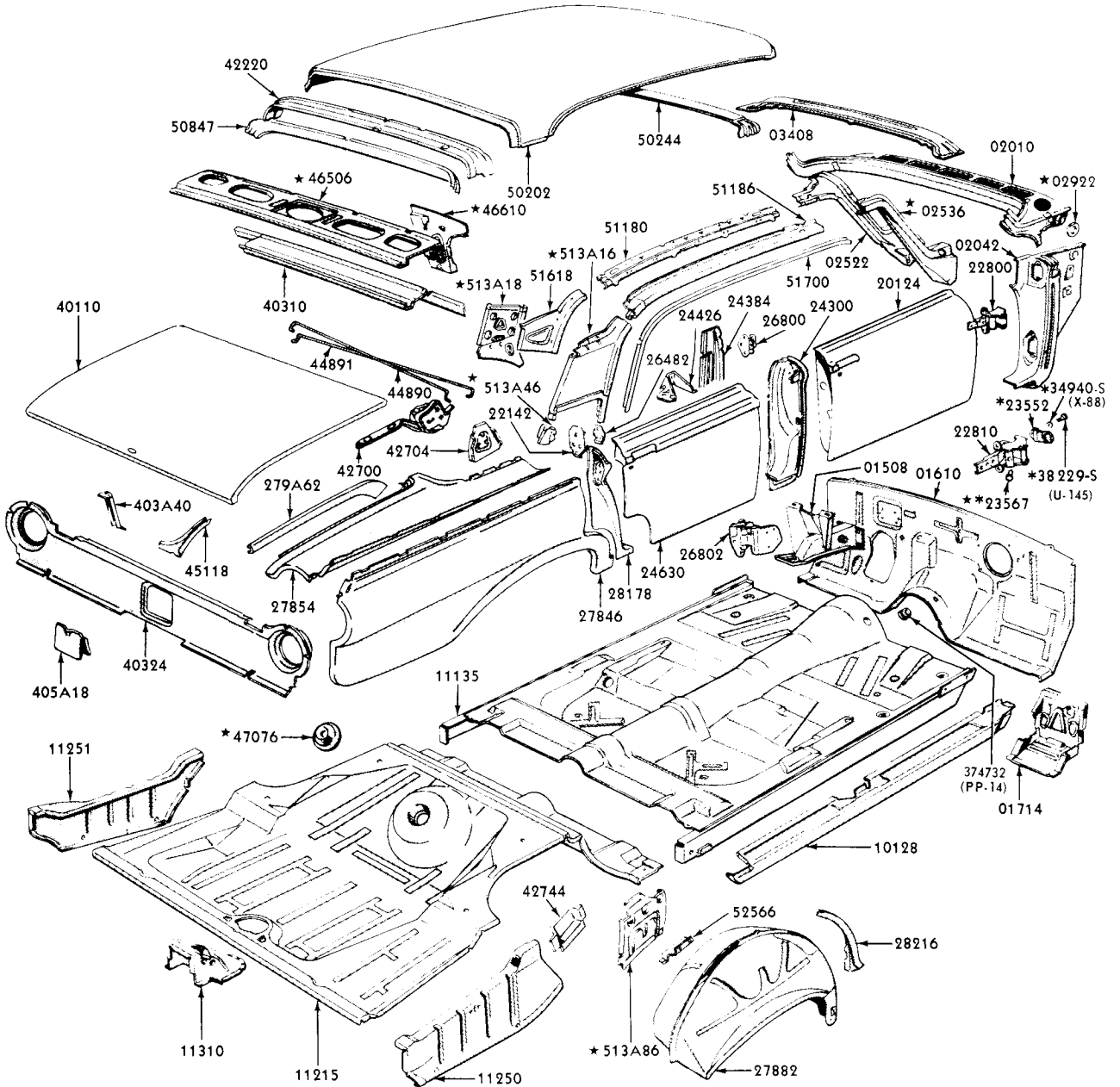
*ALSO INCLUDED IN 22810 OR 22811

P-3316

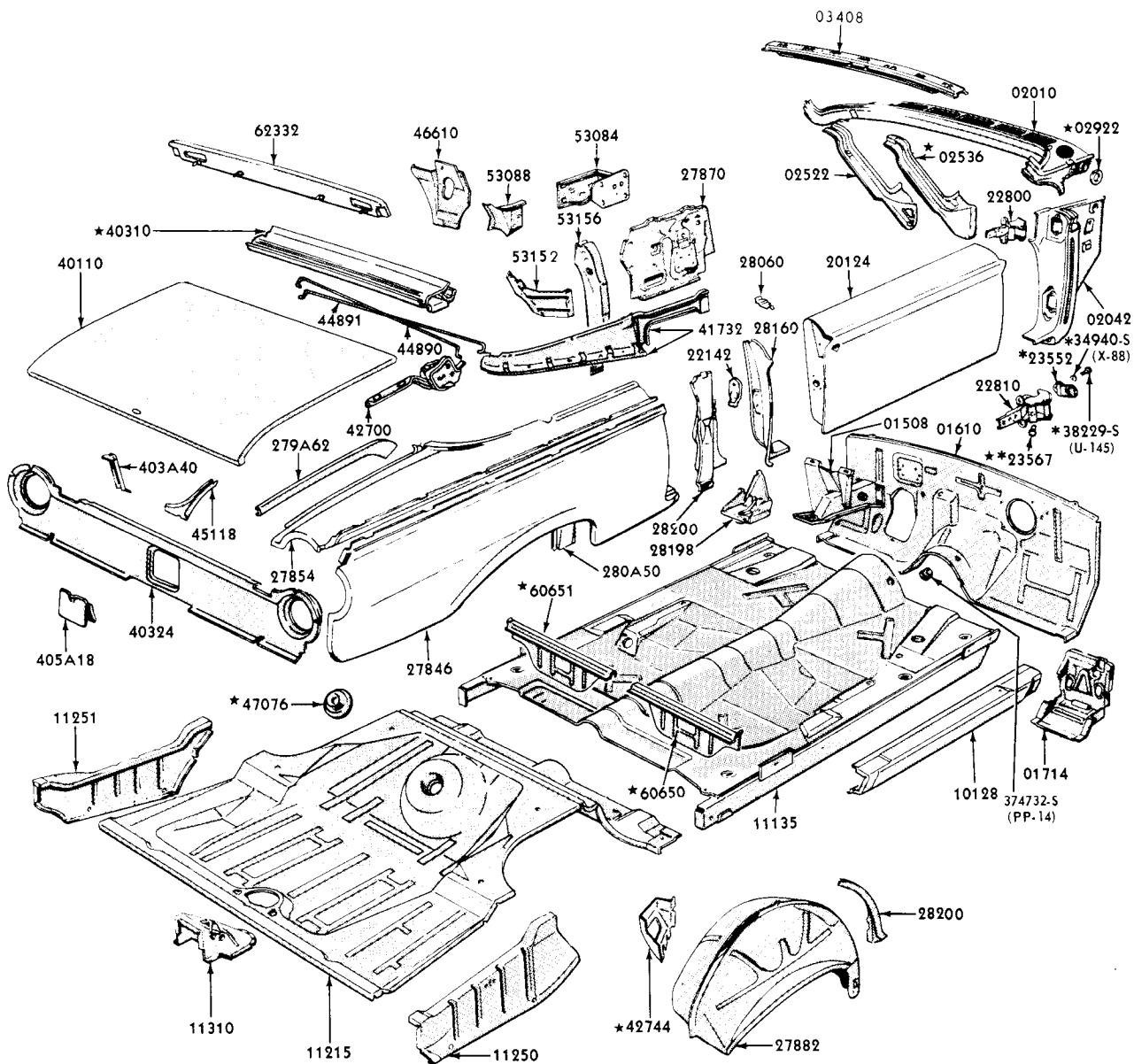


Δ L.H. SIDE ONLY

* ALSO INCLUDED IN 22810 OR 22811

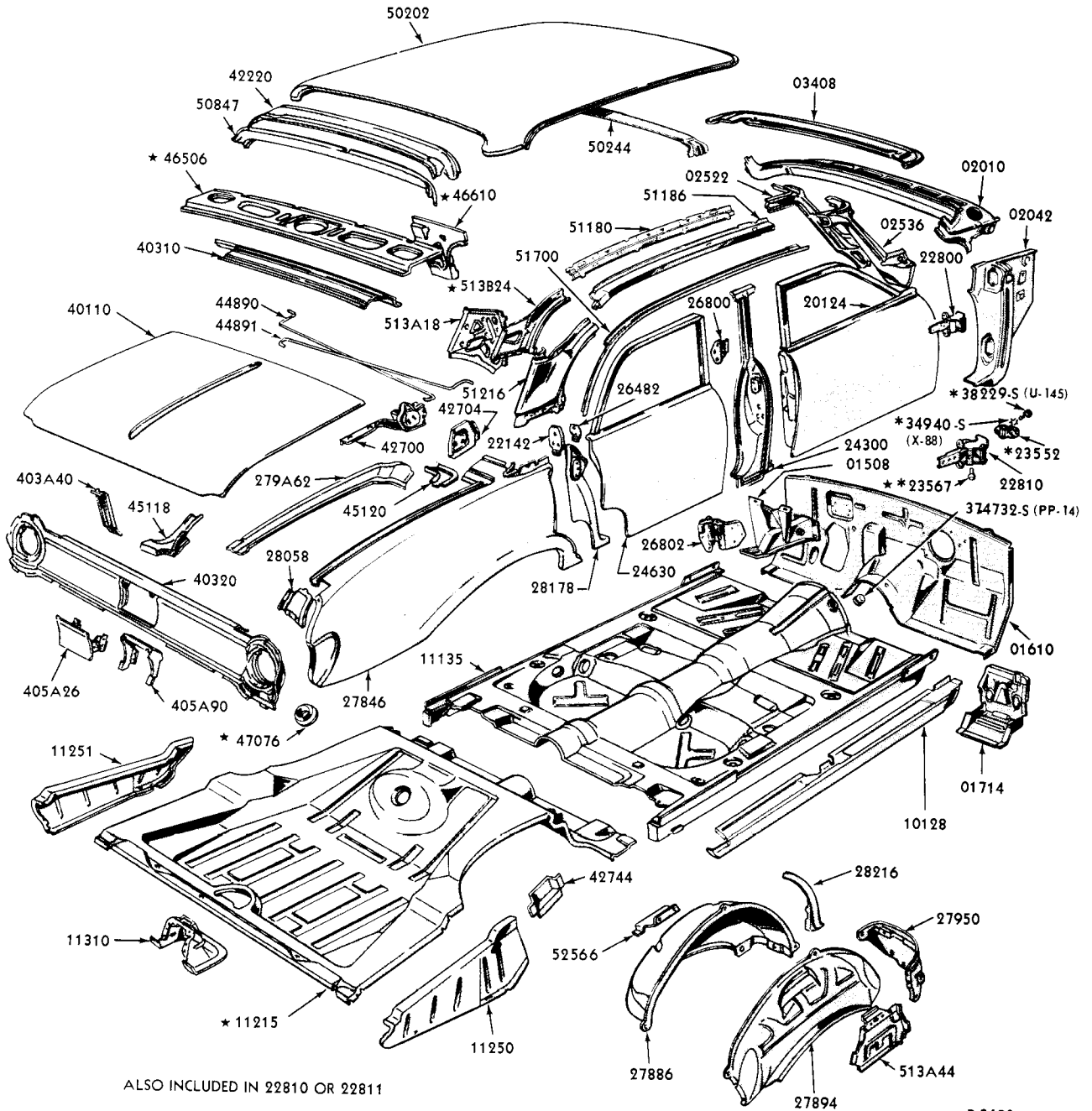


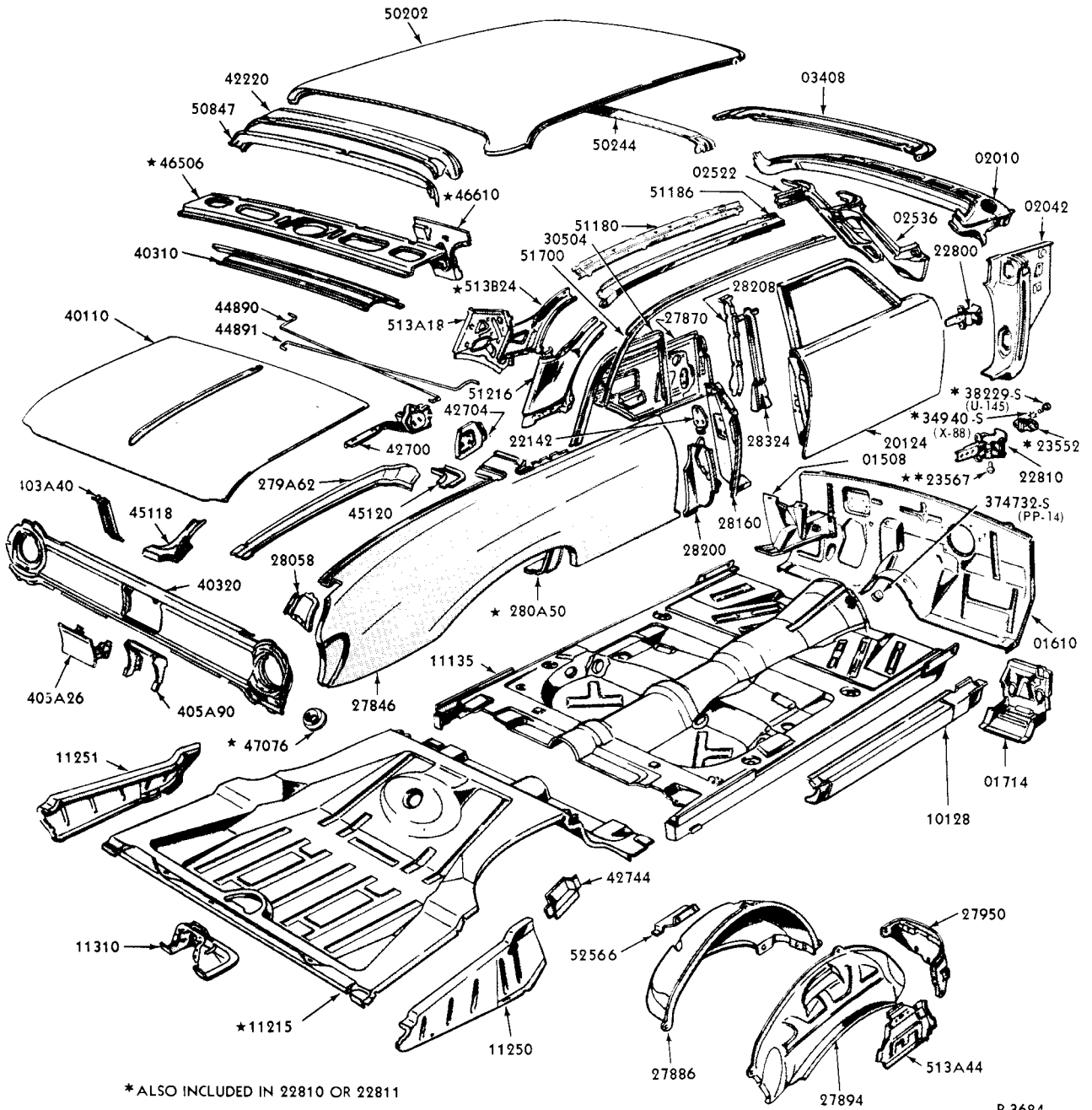
*ALSO INCLUDED IN 22810 OR 22811

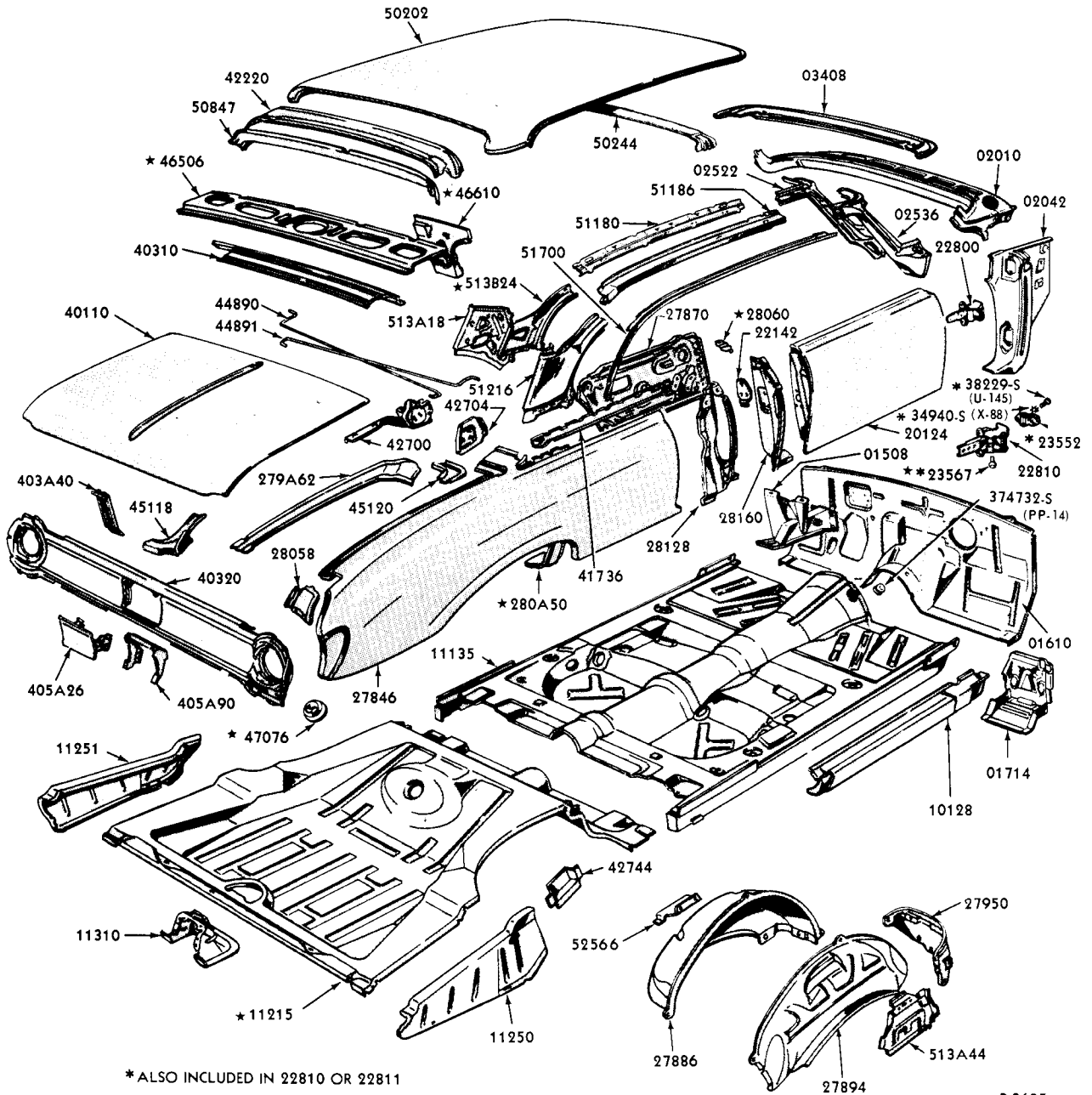


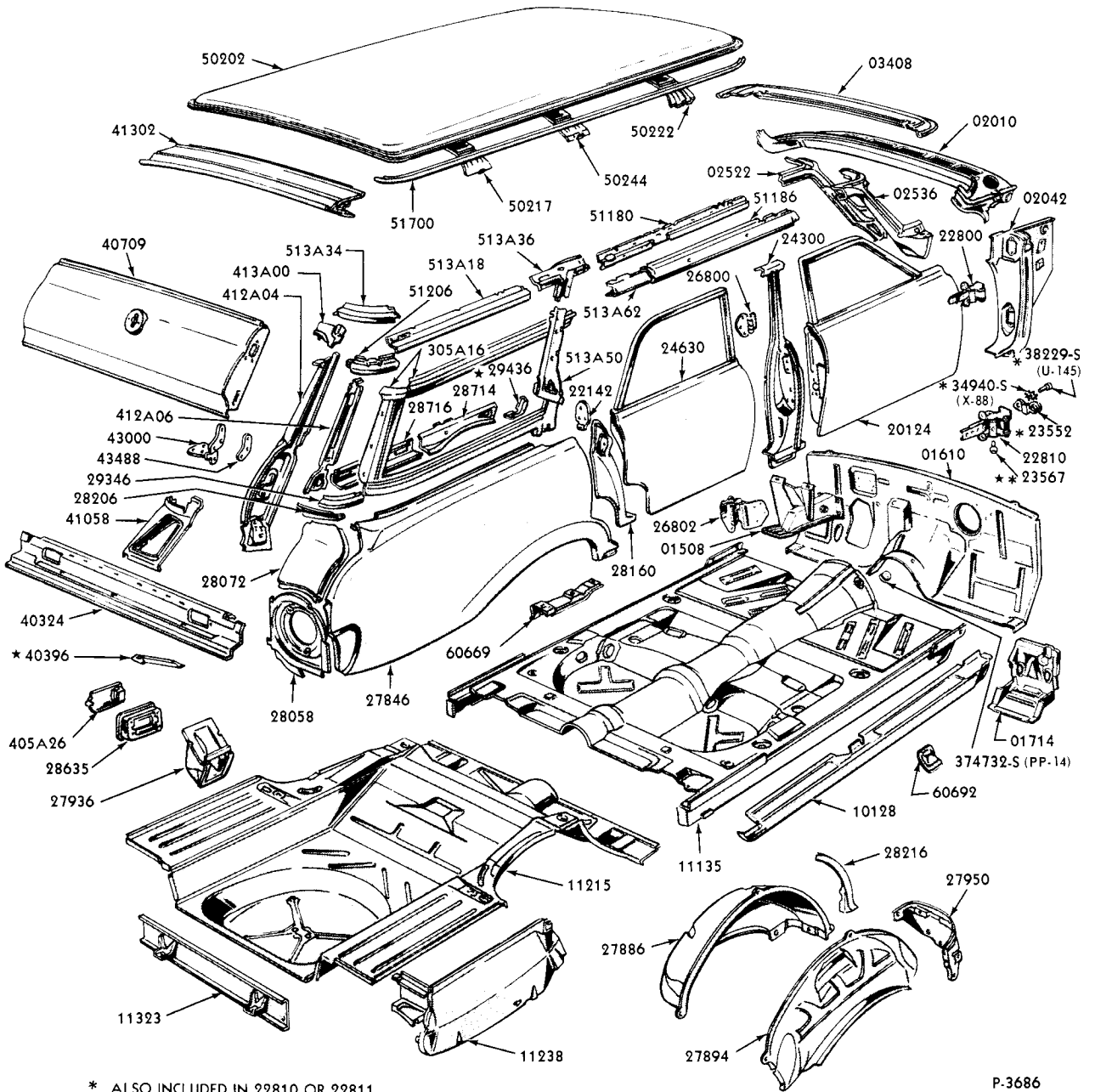
*ALSO INCLUDED IN 22810 OR 22811

P-3319

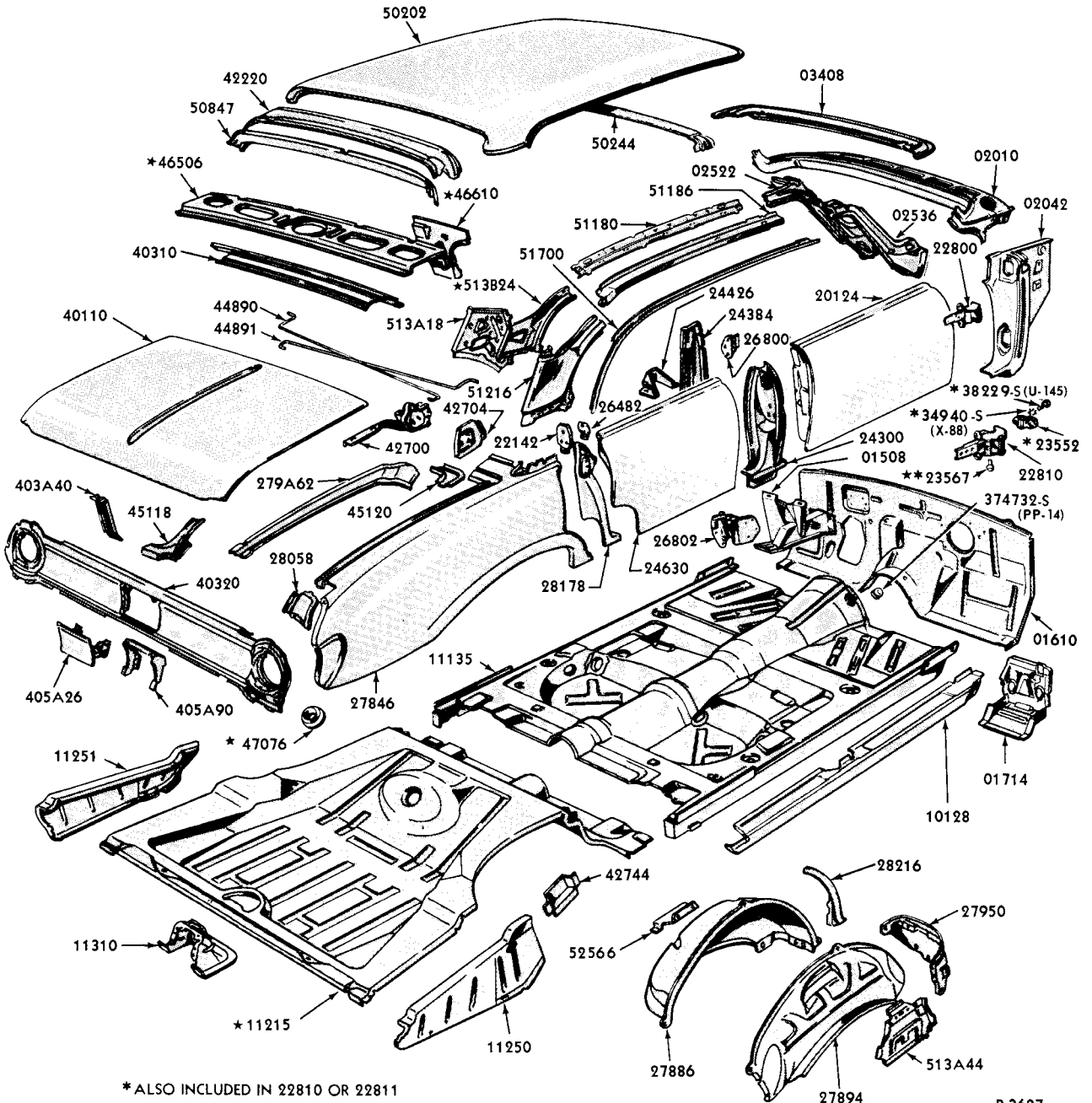


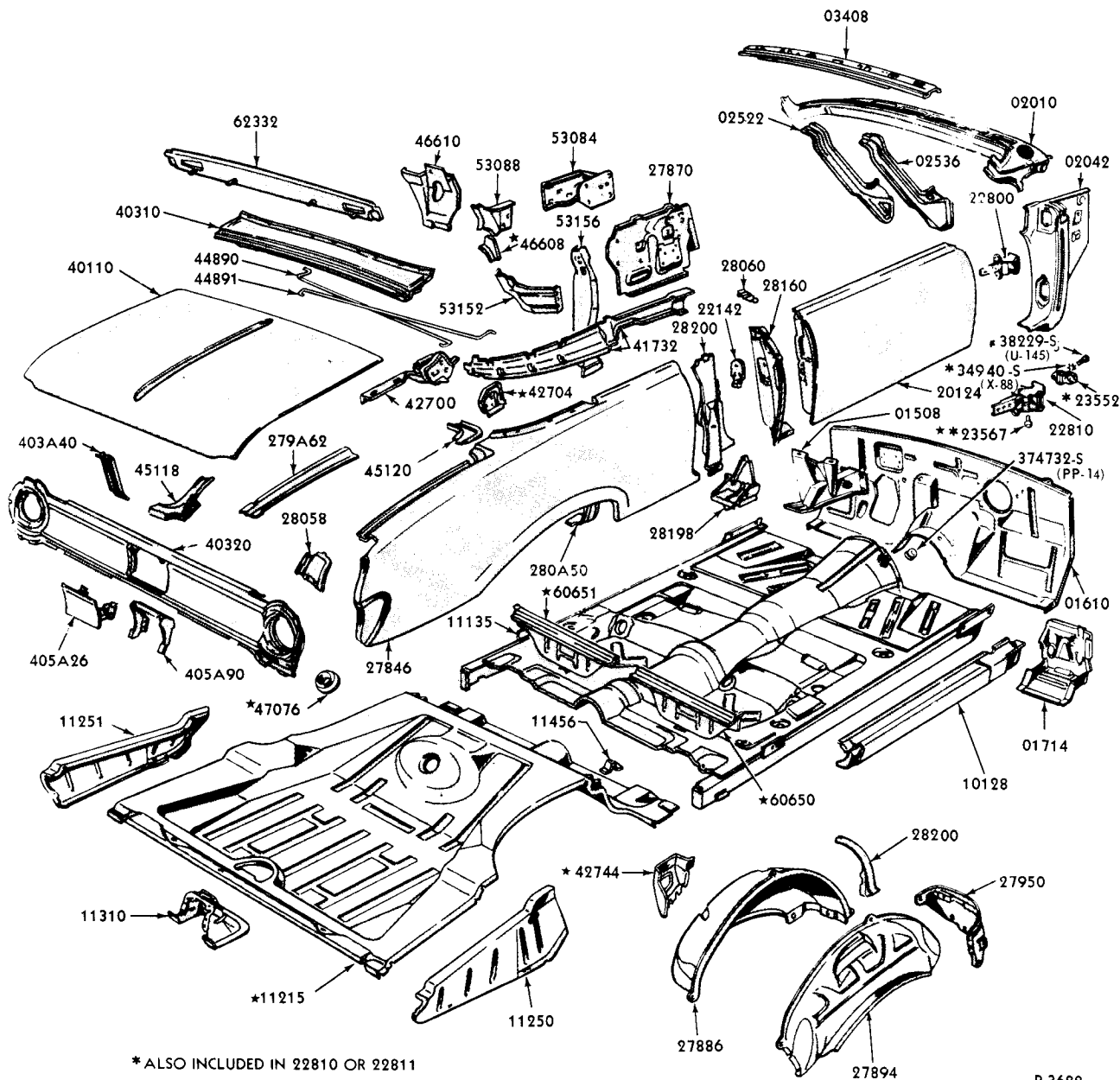


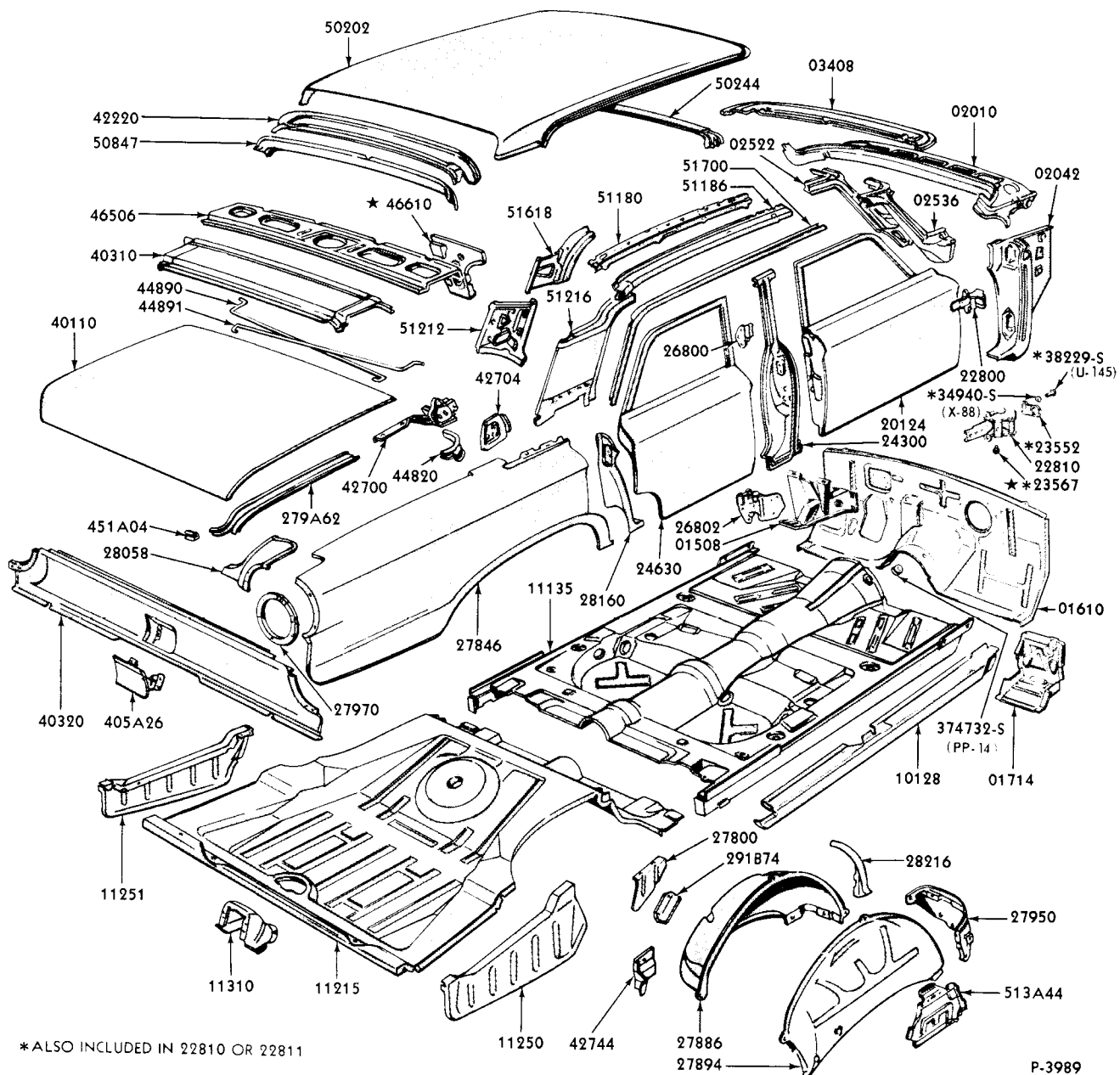


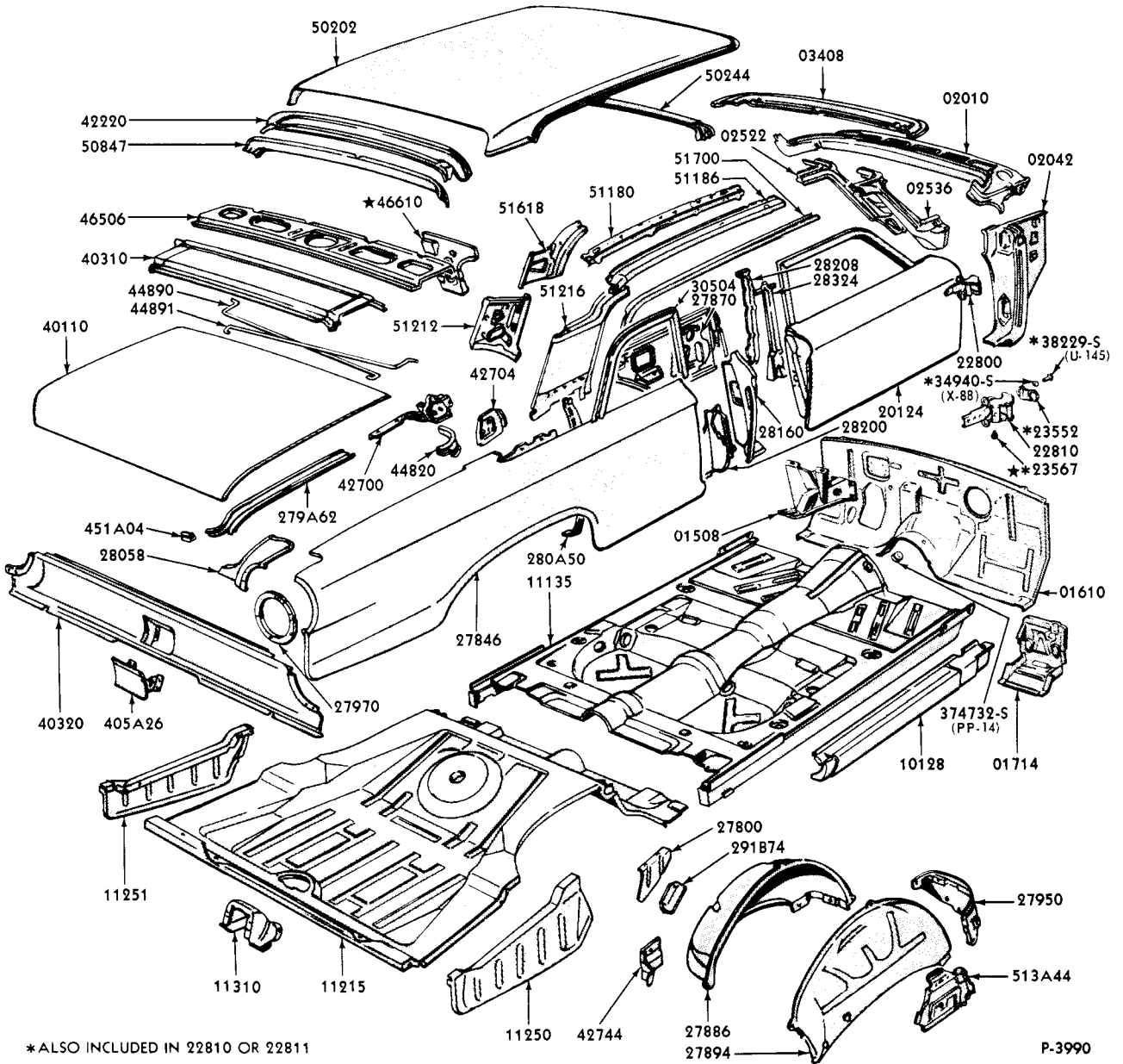


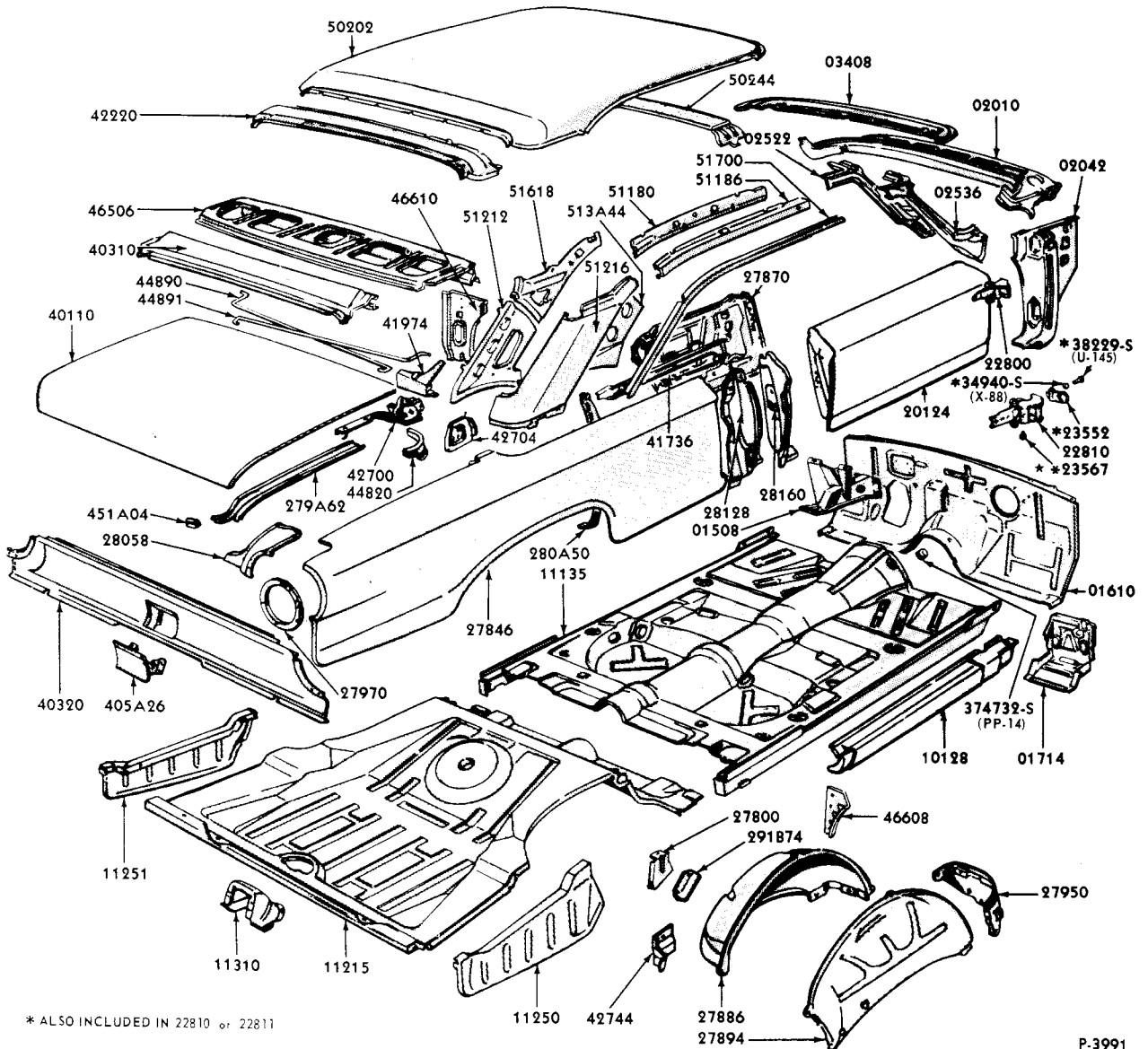
**SHEET METAL
ILLUSTRATION SECTION FORD CAR PARTS**





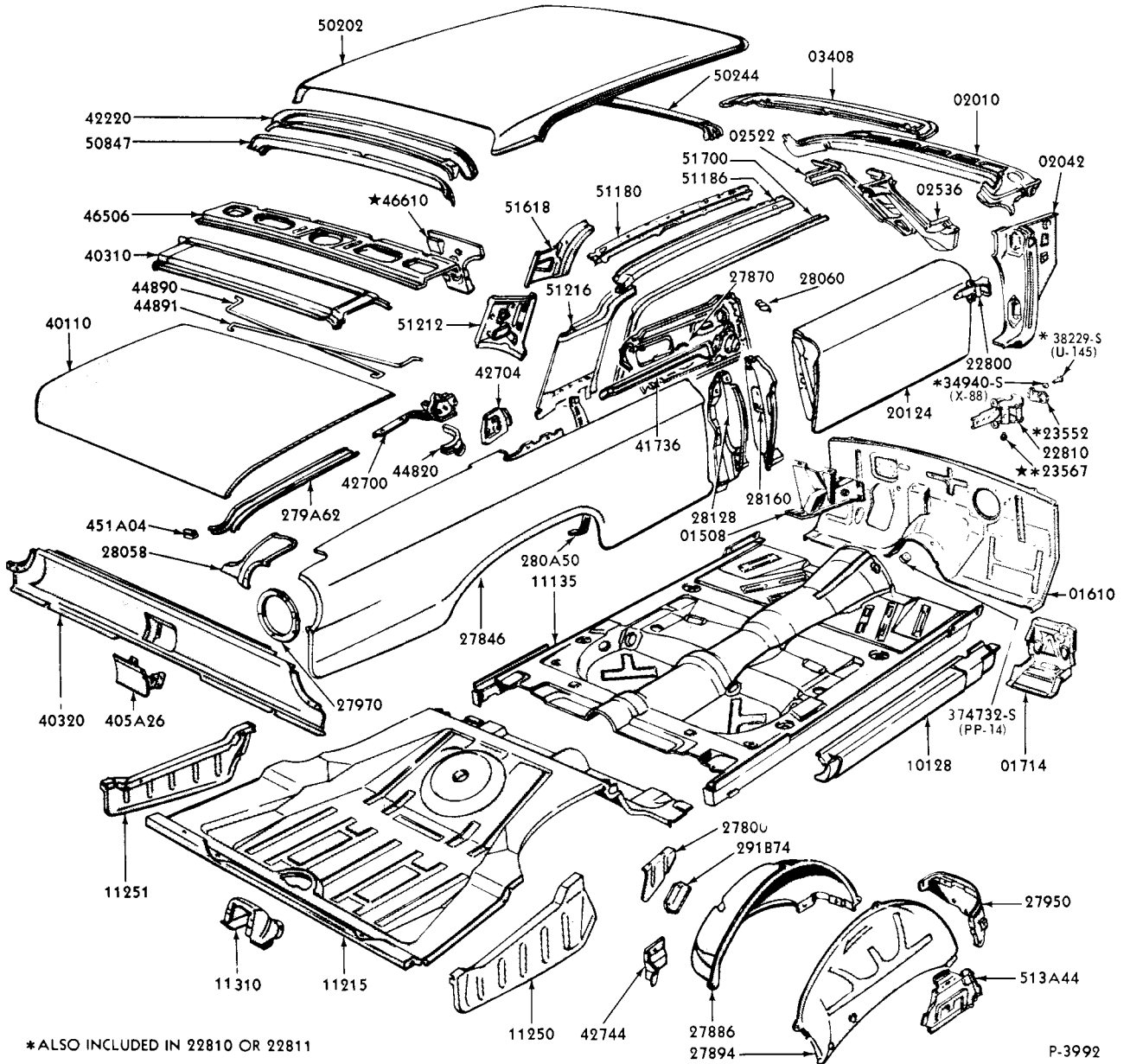


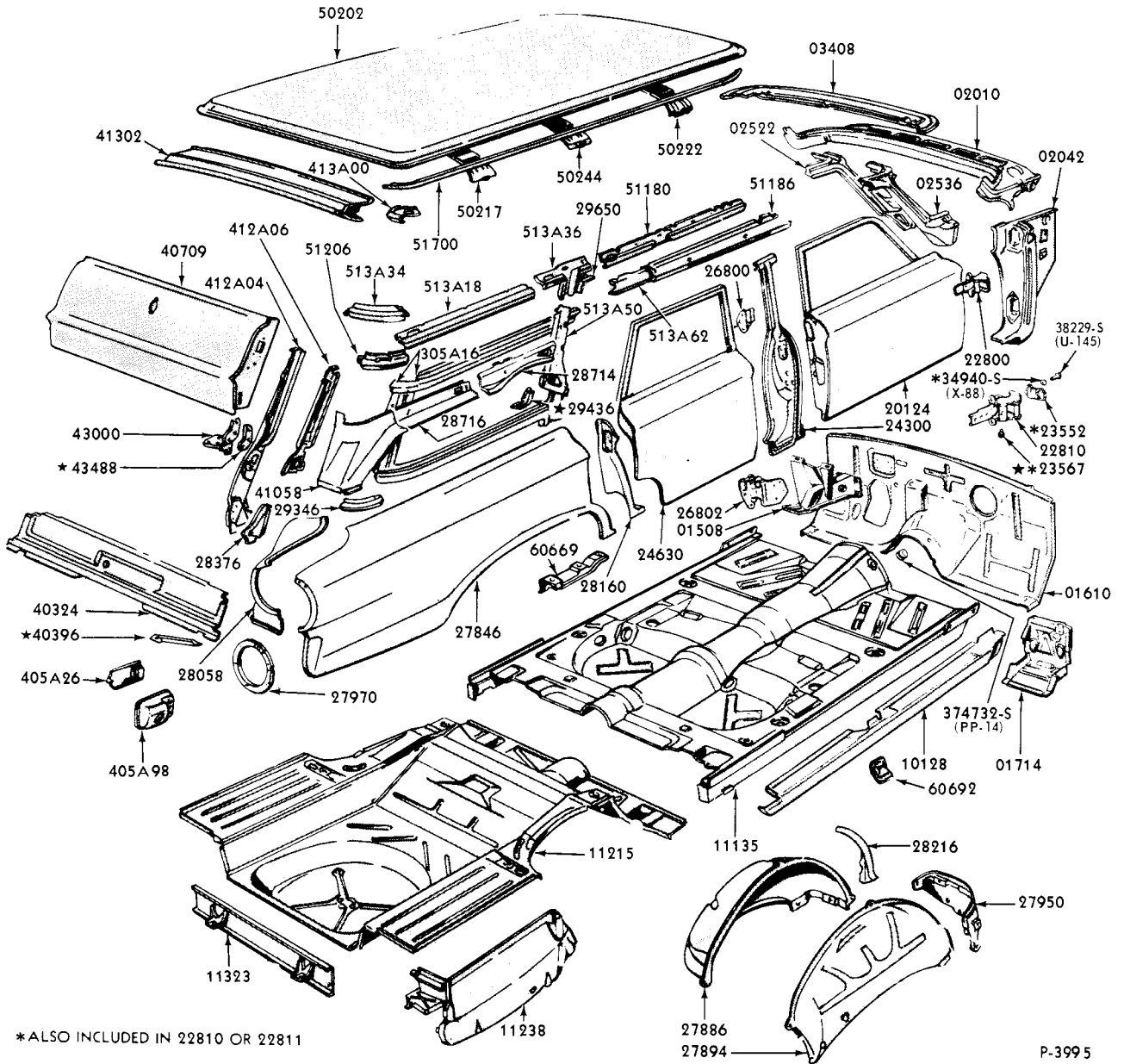


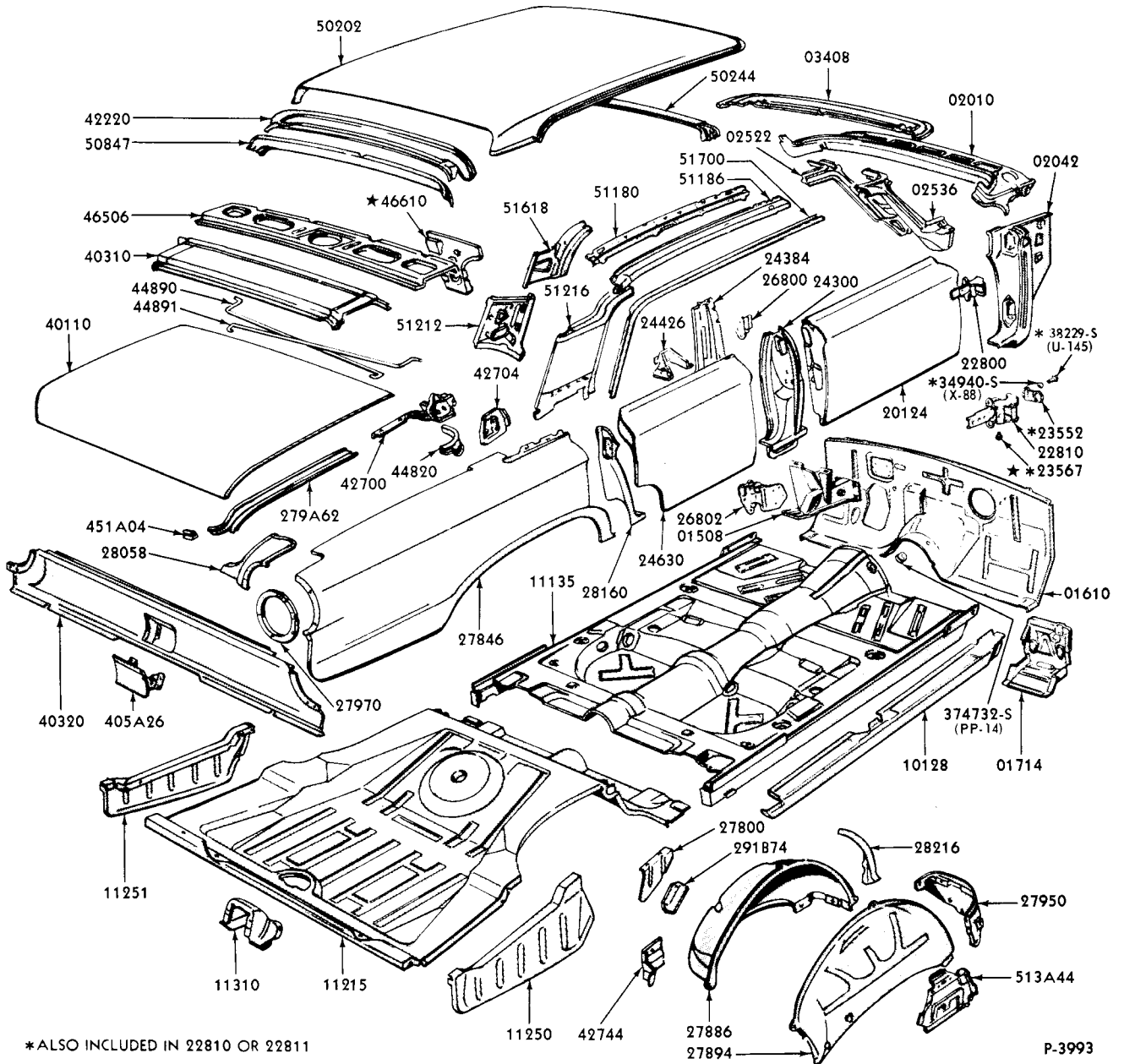


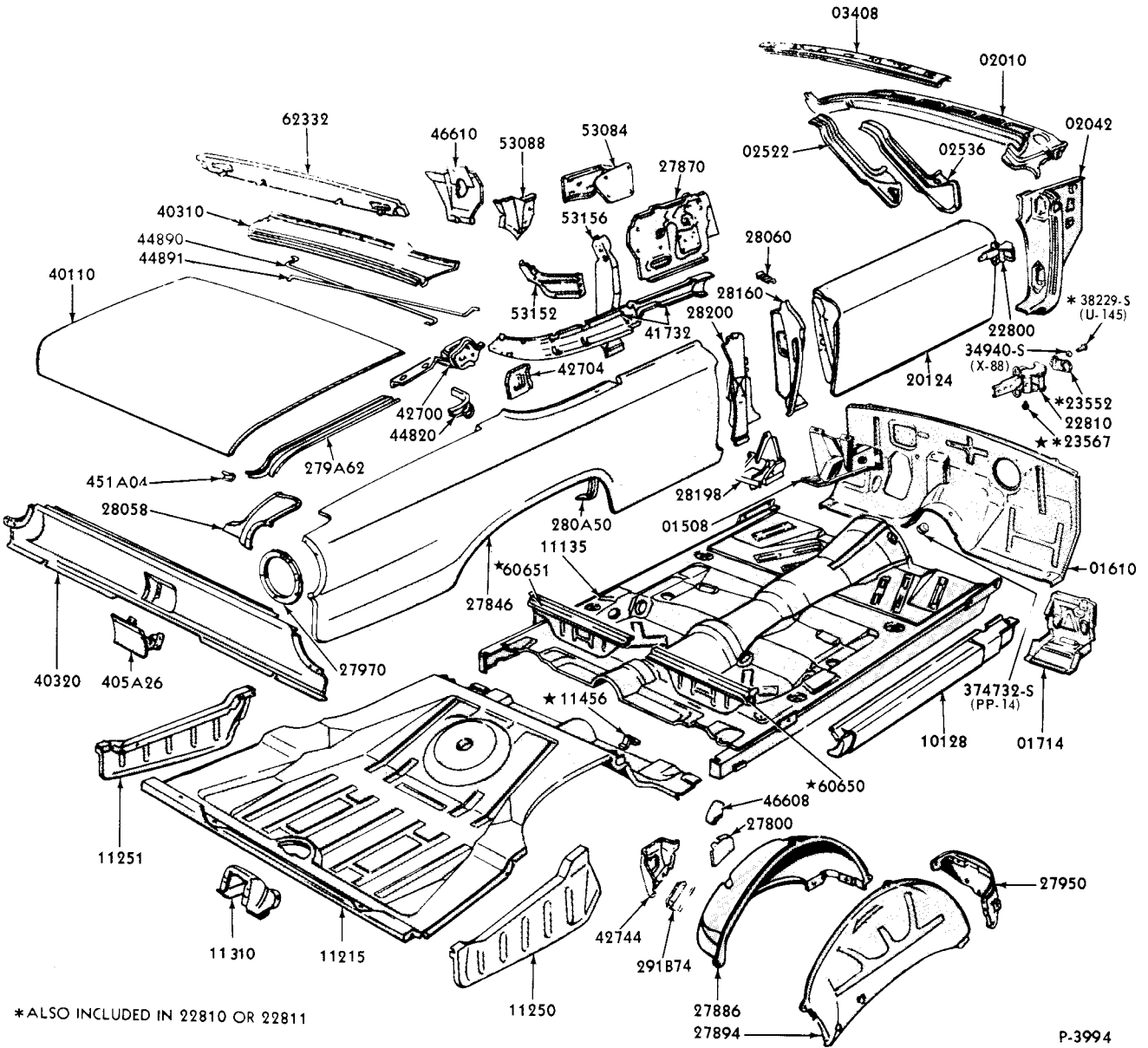
* ALSO INCLUDED IN 22810 or 22811

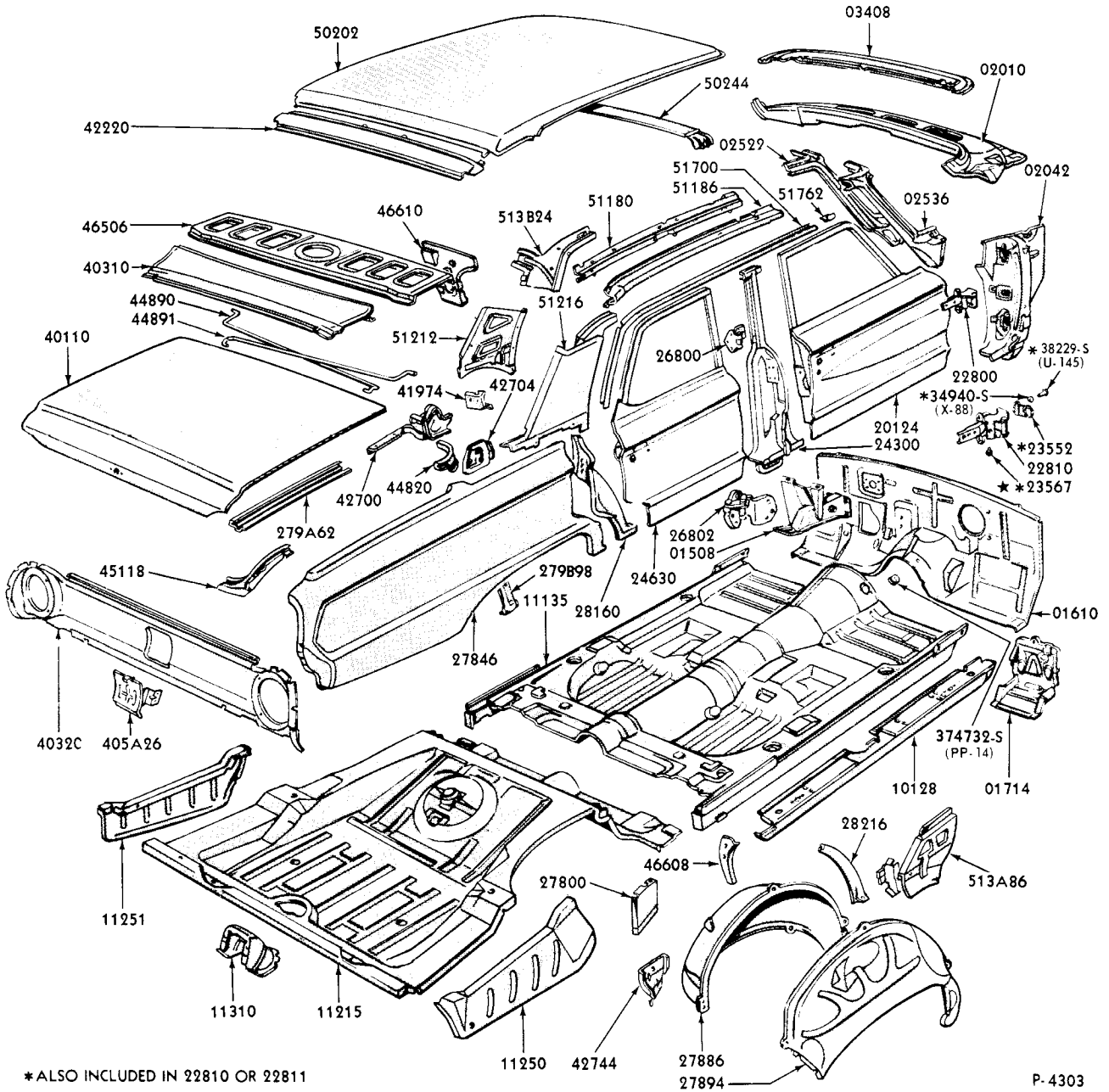
P-3991

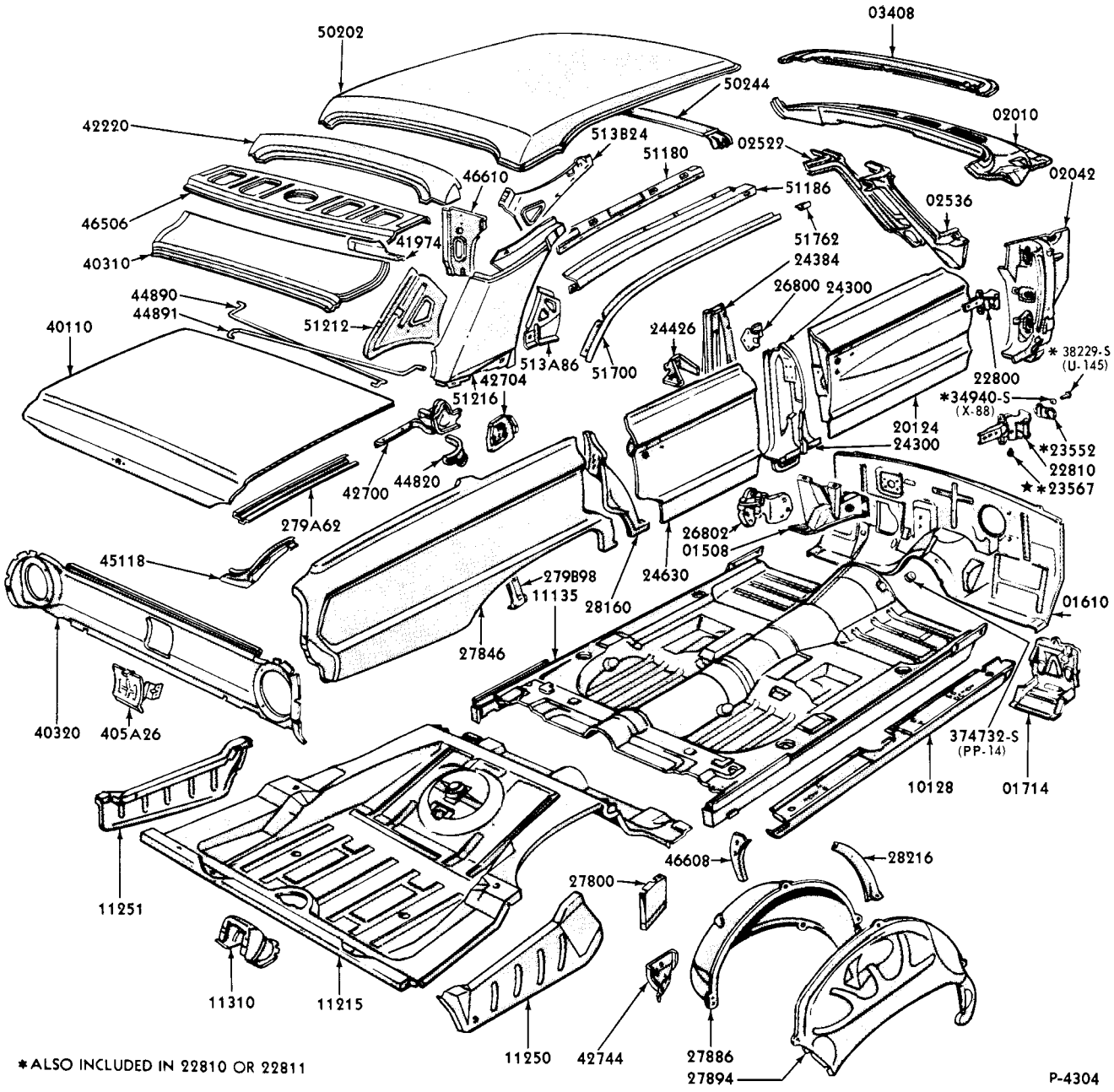






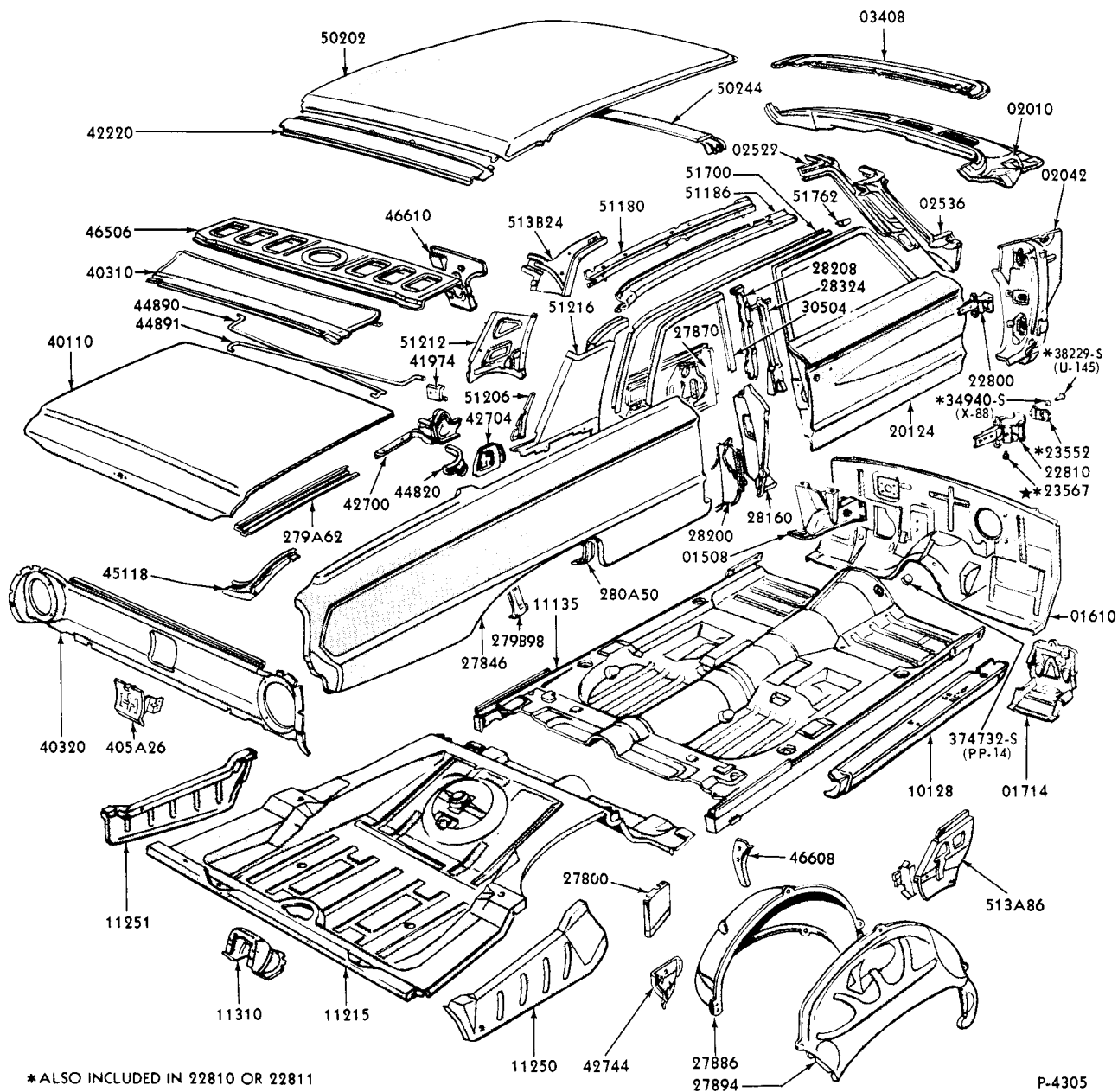


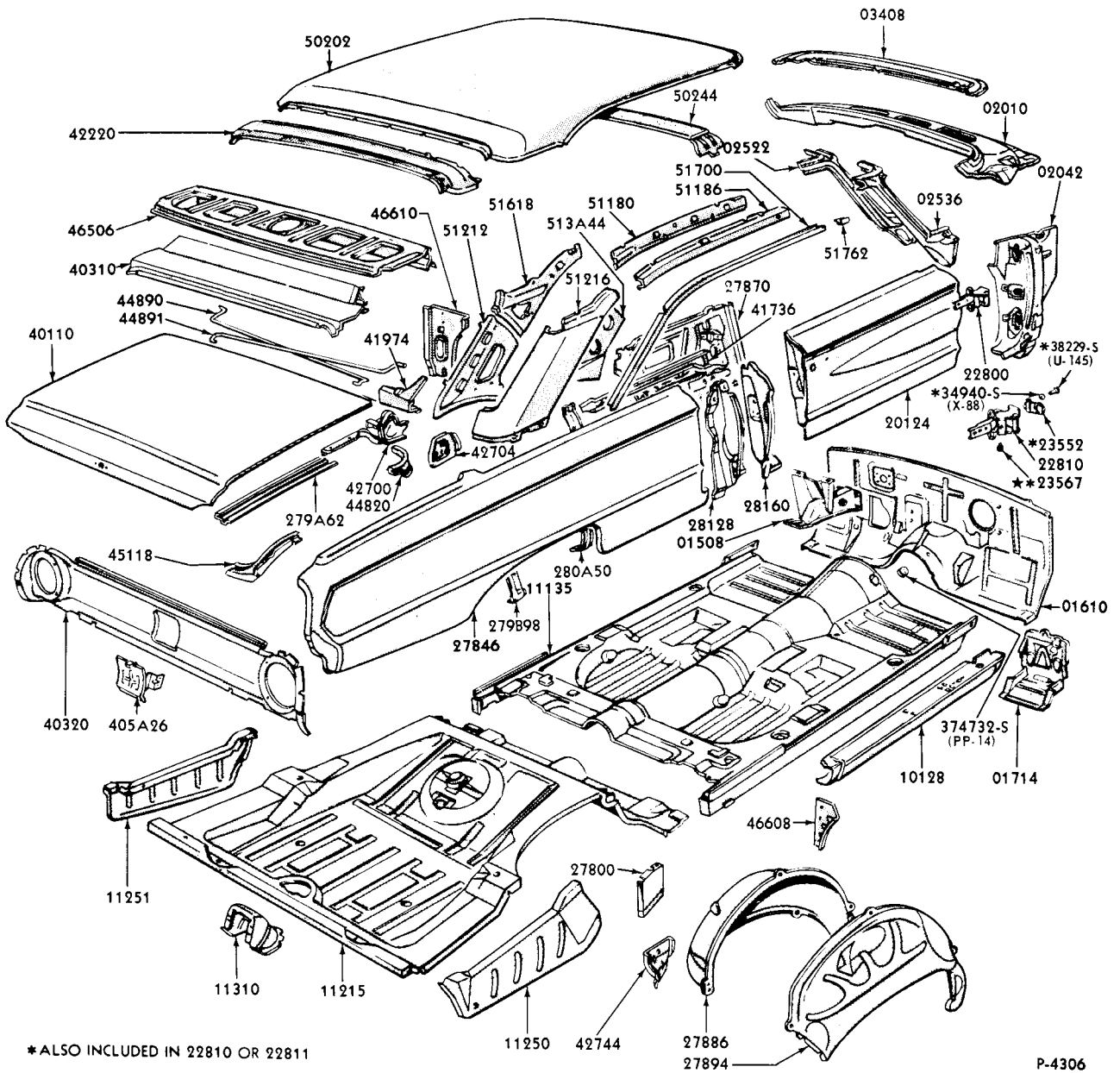


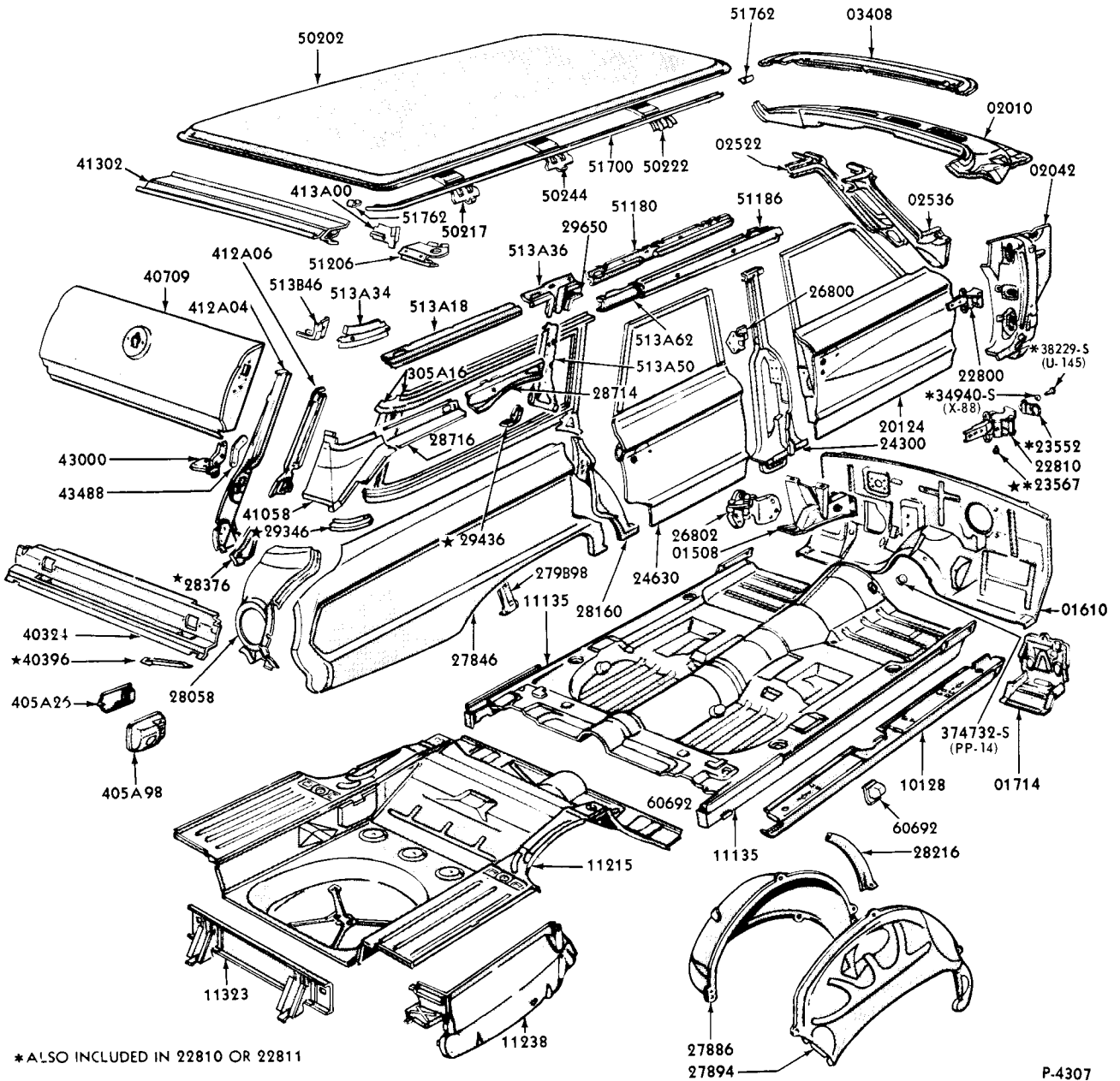


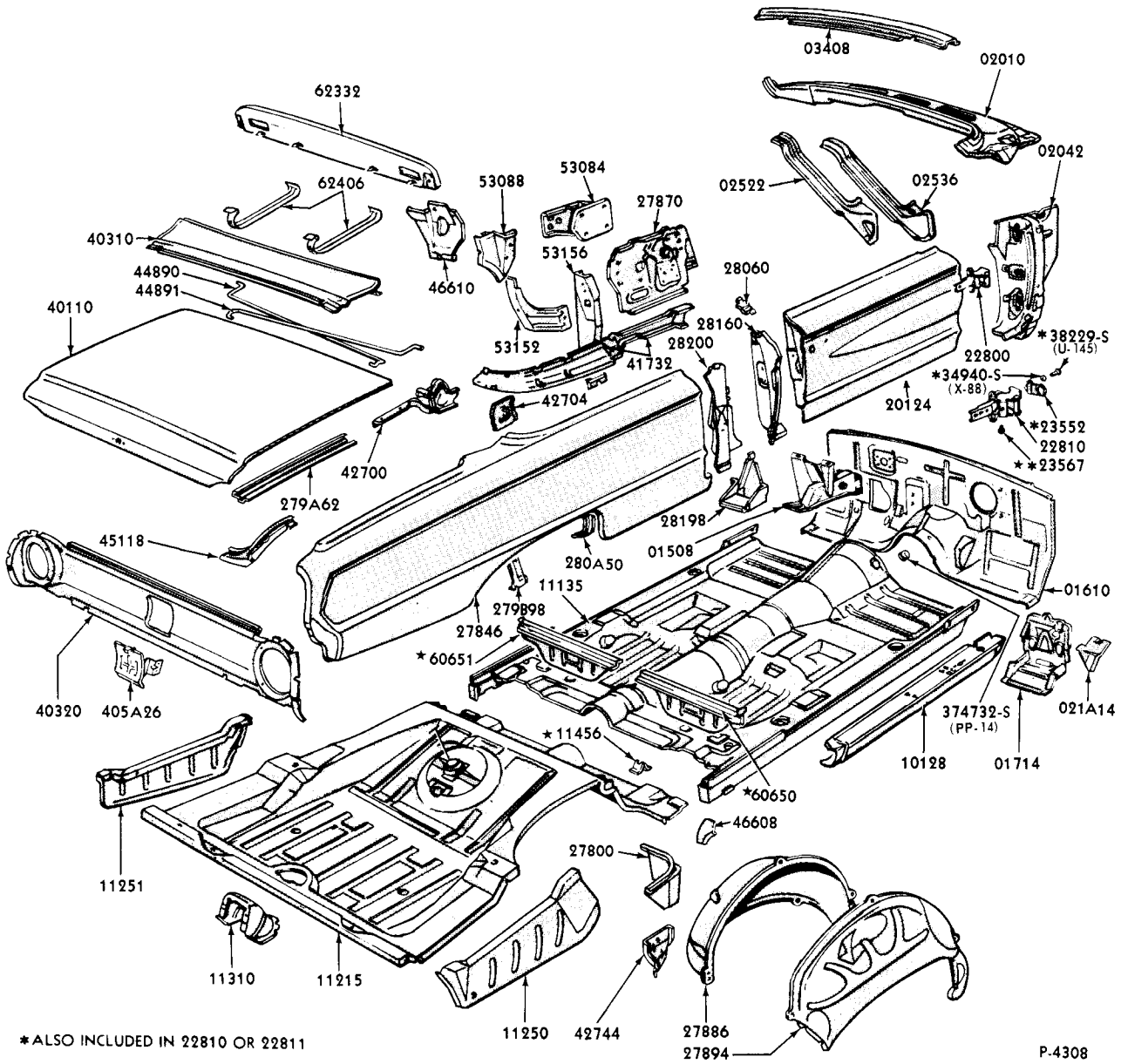
*ALSO INCLUDED IN 22810 OR 22811

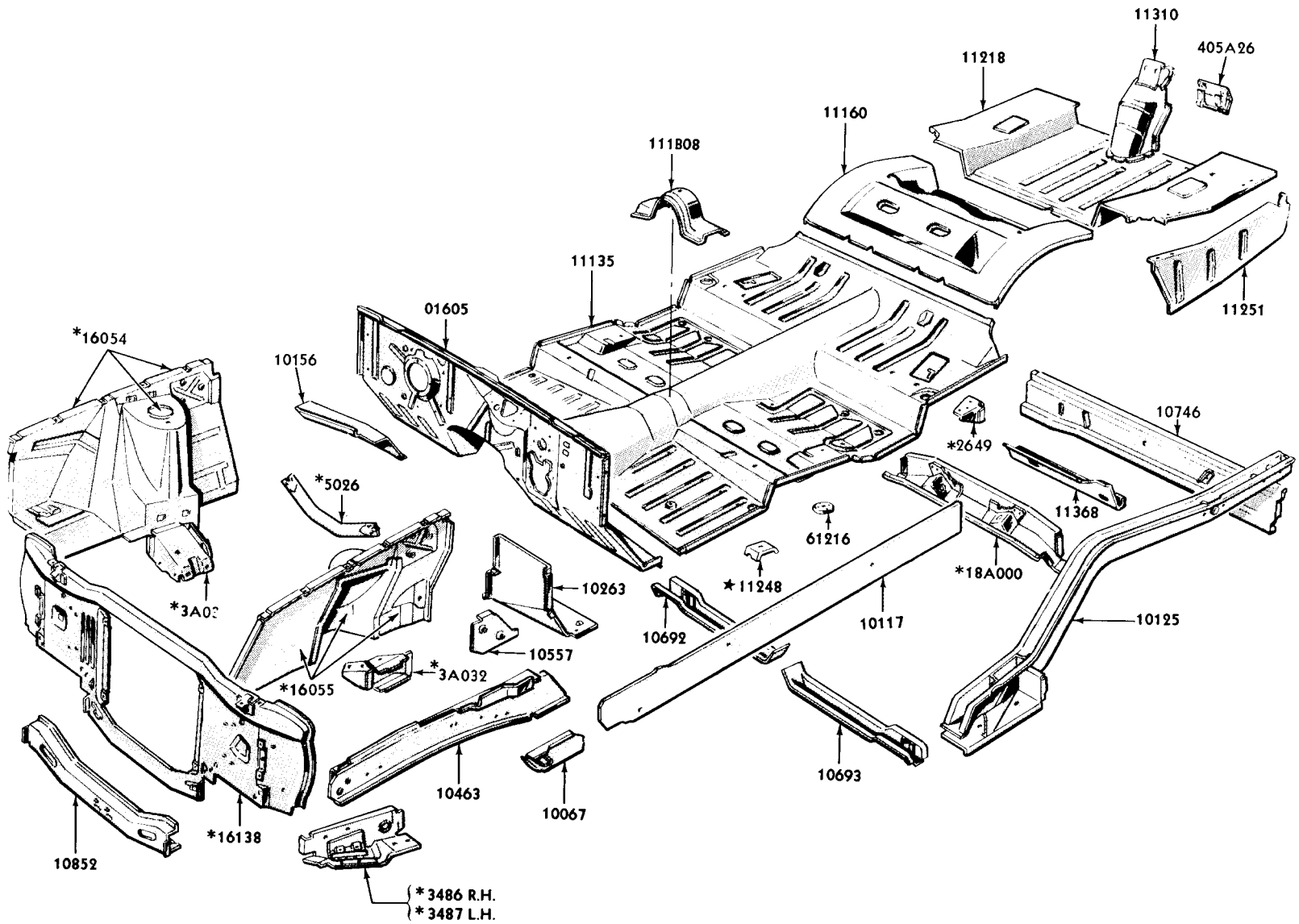
P-4304



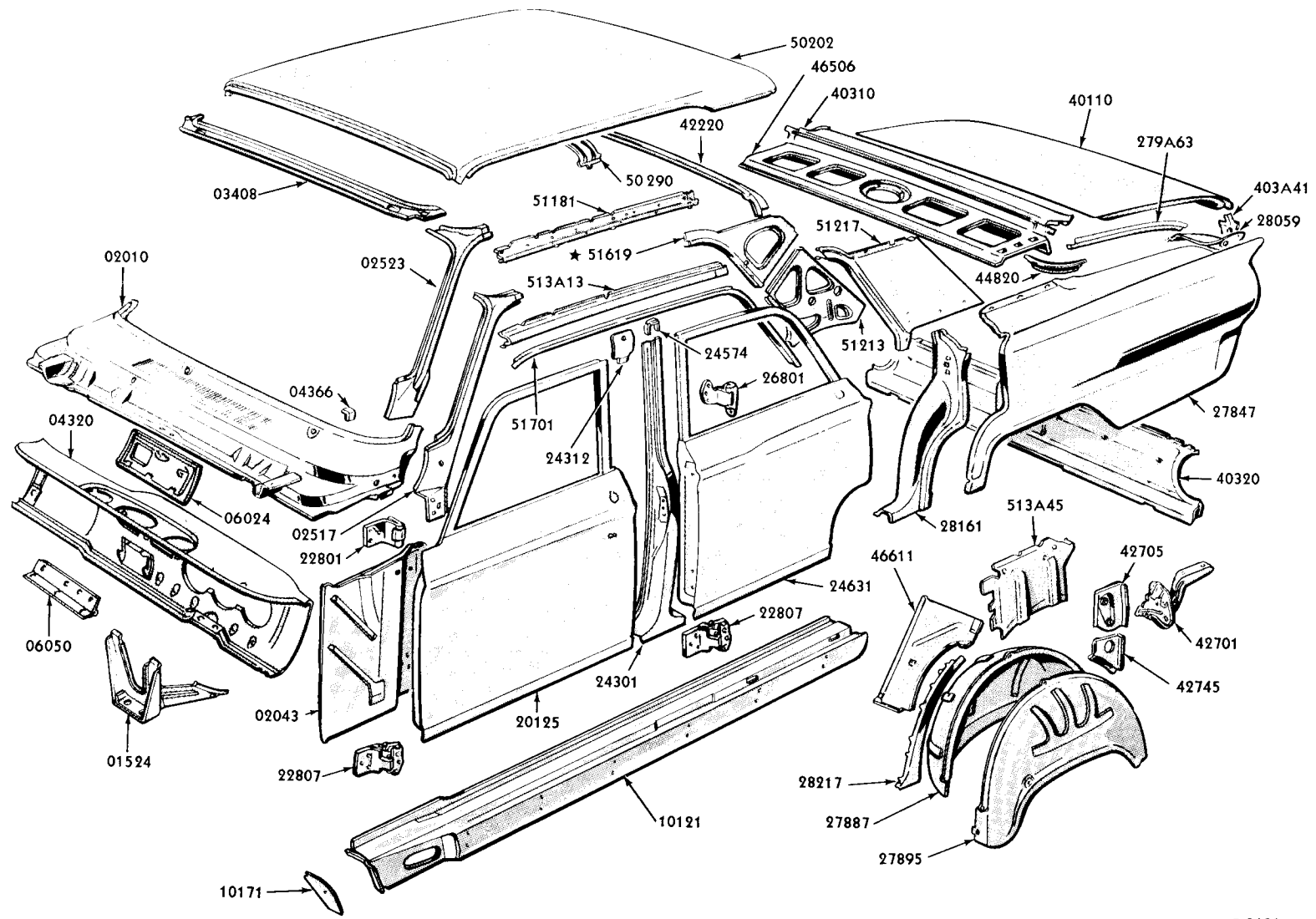




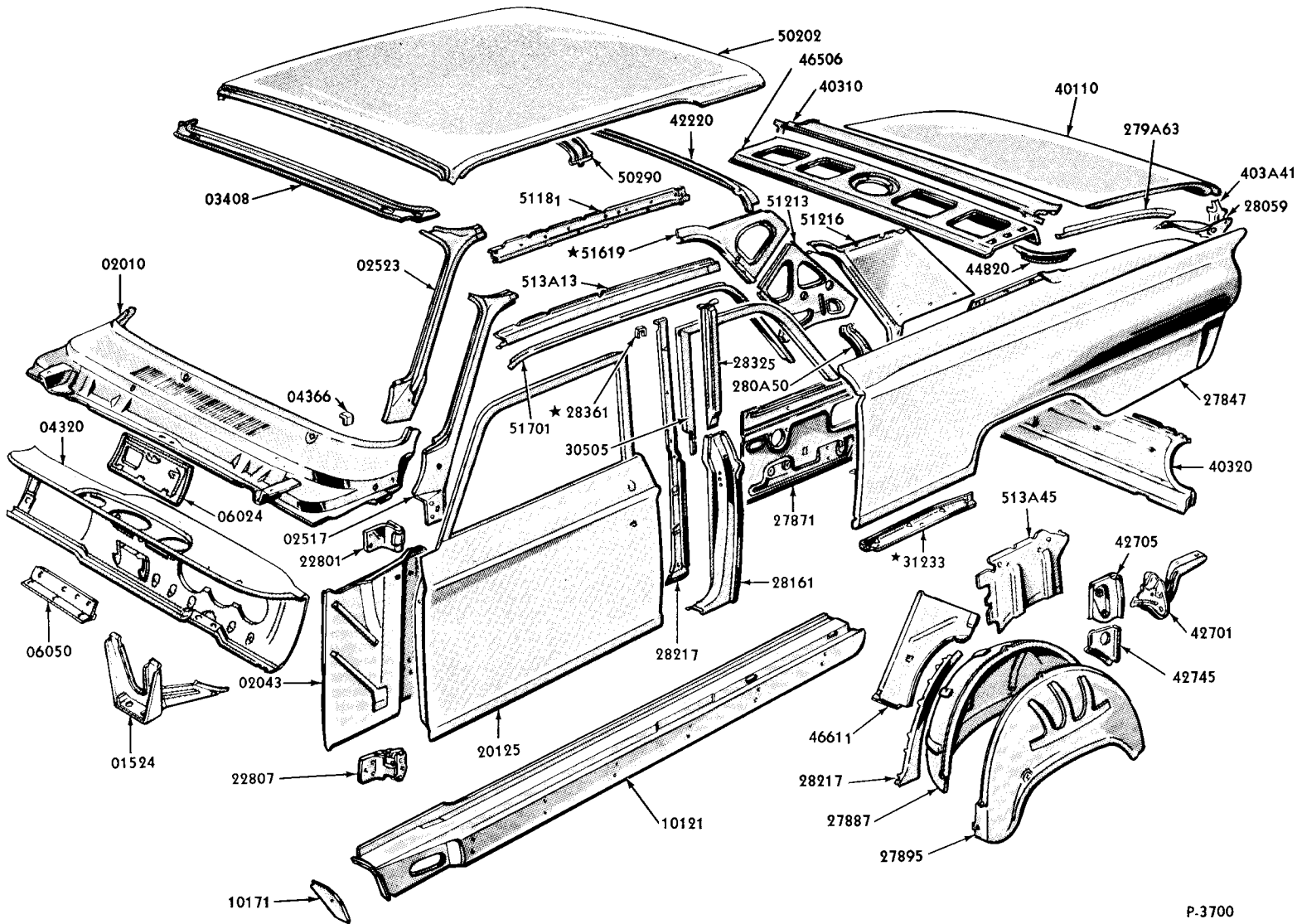


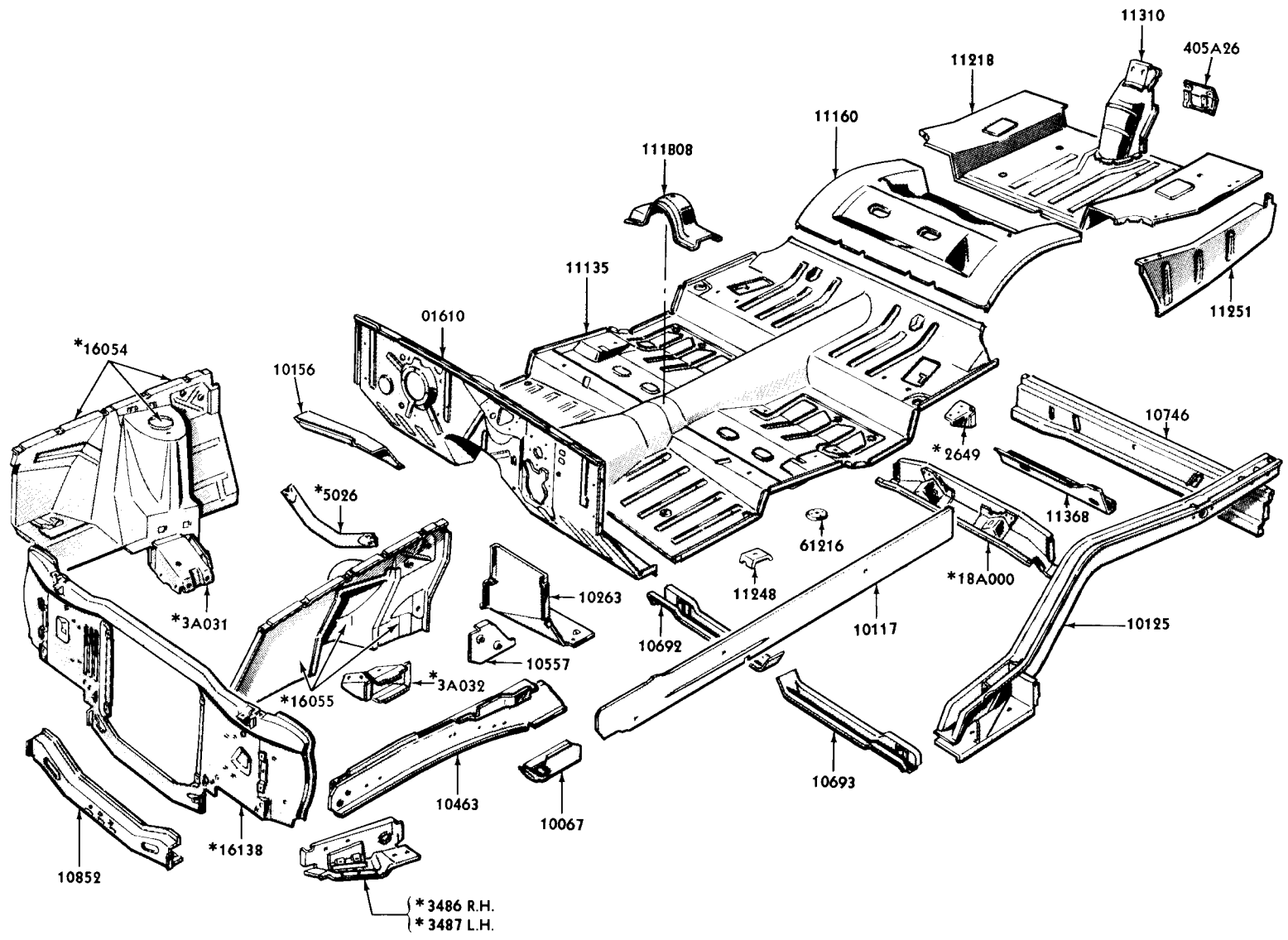


* REFER TO GROUP IN CHASSIS SECTION



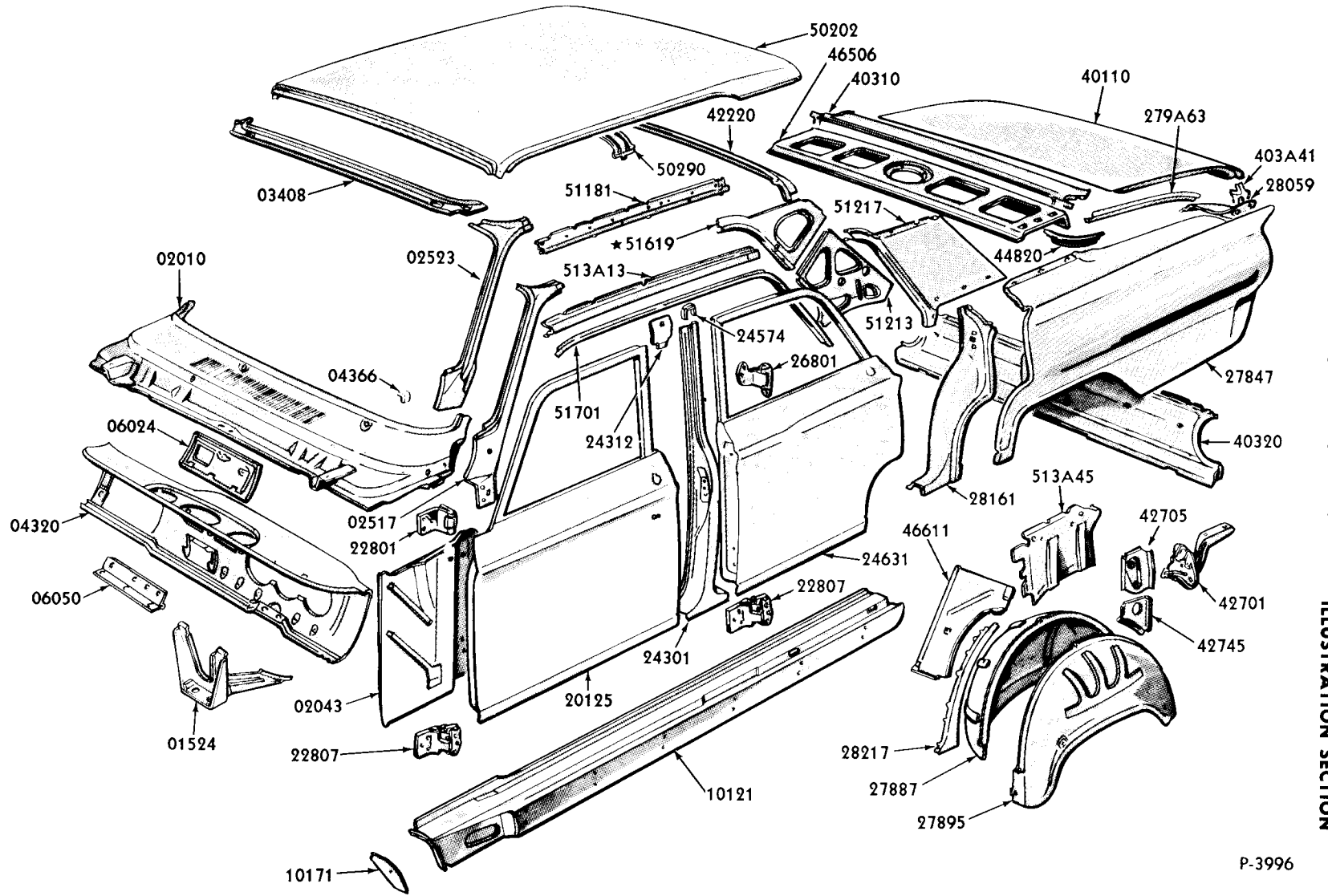
1962 FAIRLANE TOWN SEDAN-UPPER BODY-BODY TYPE B (54)

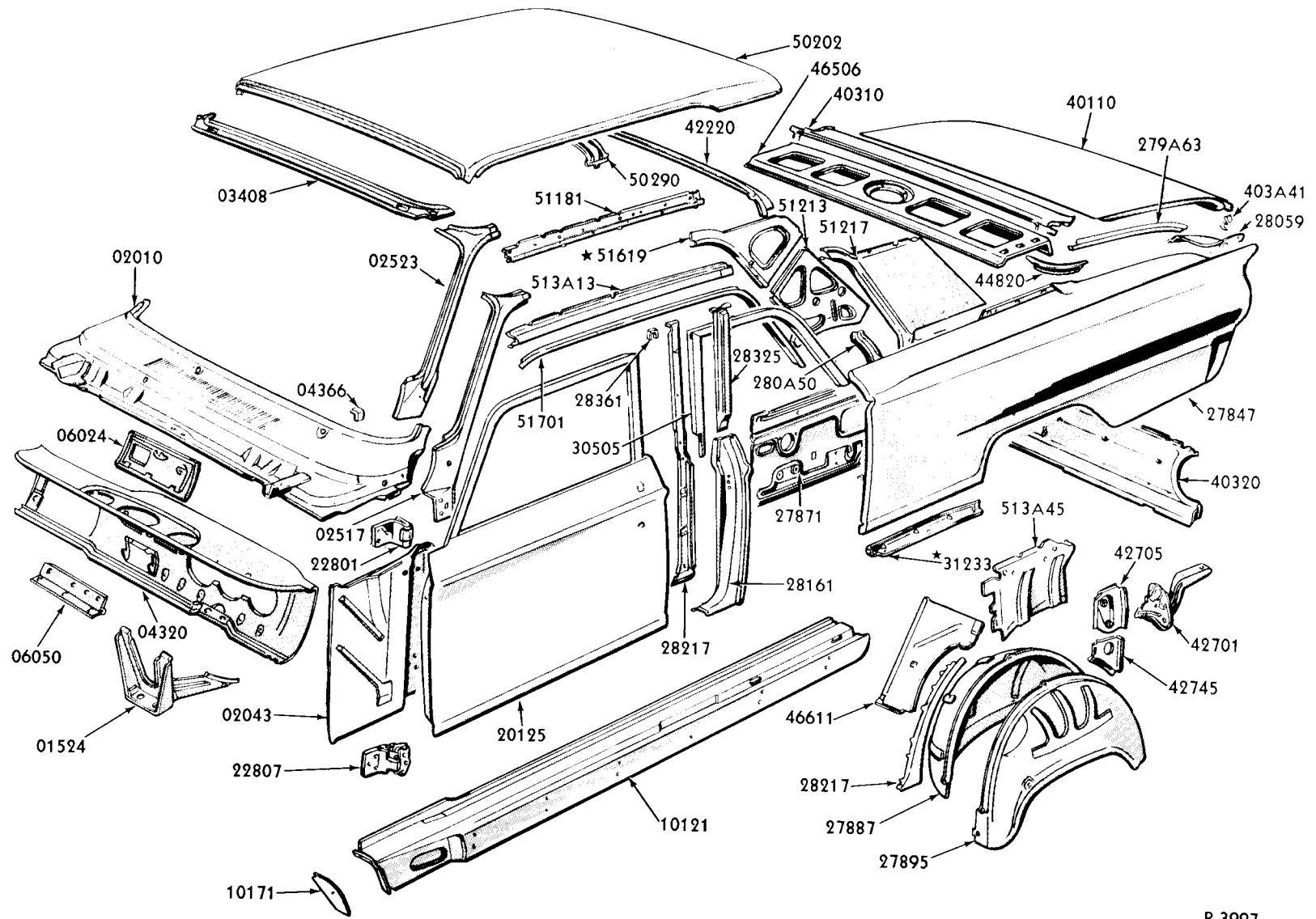




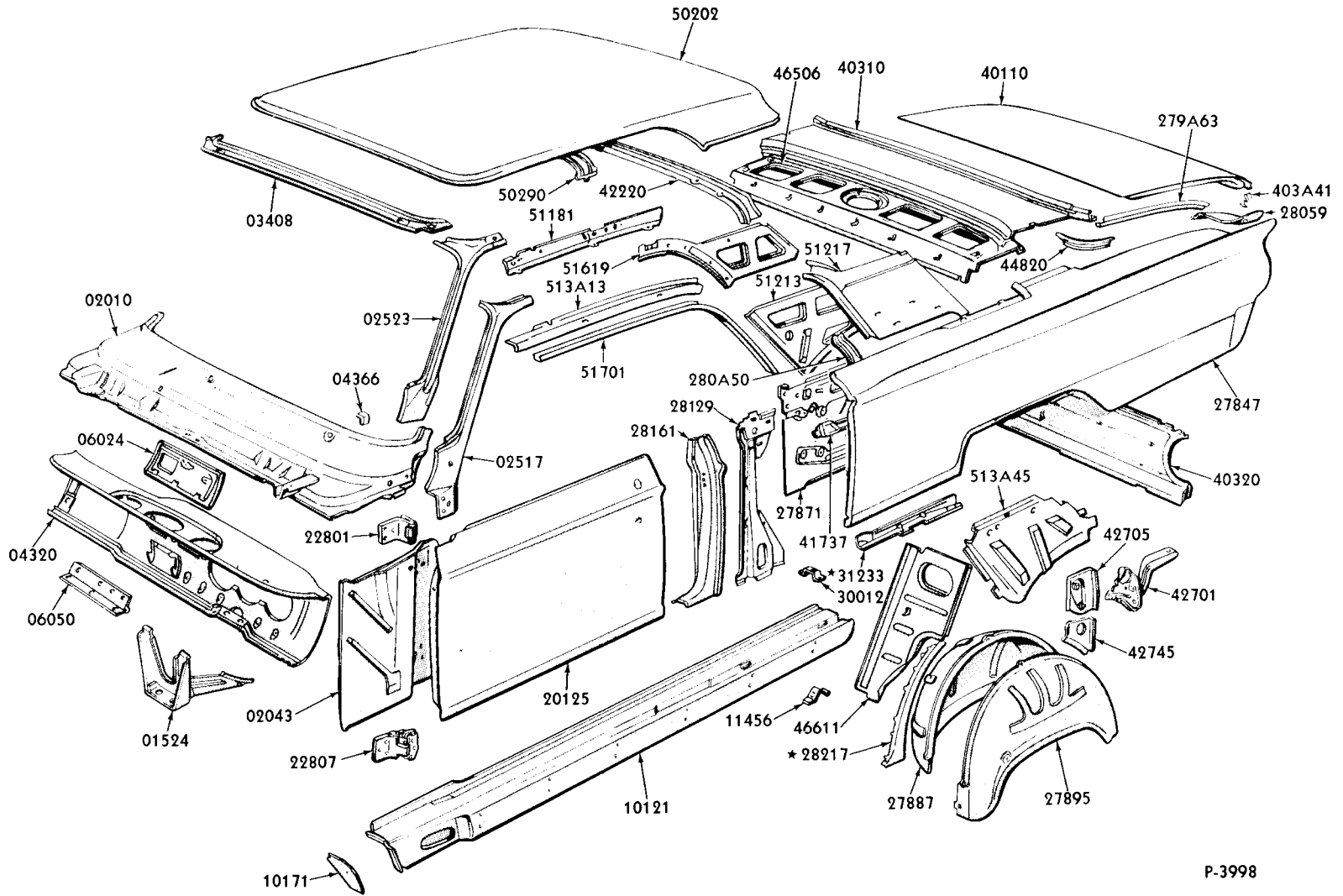
1963/64 FAIRLANE UNDERBODY - BODY TYPES B (except 71)

* REFER TO GROUP IN CHASSIS SECTION

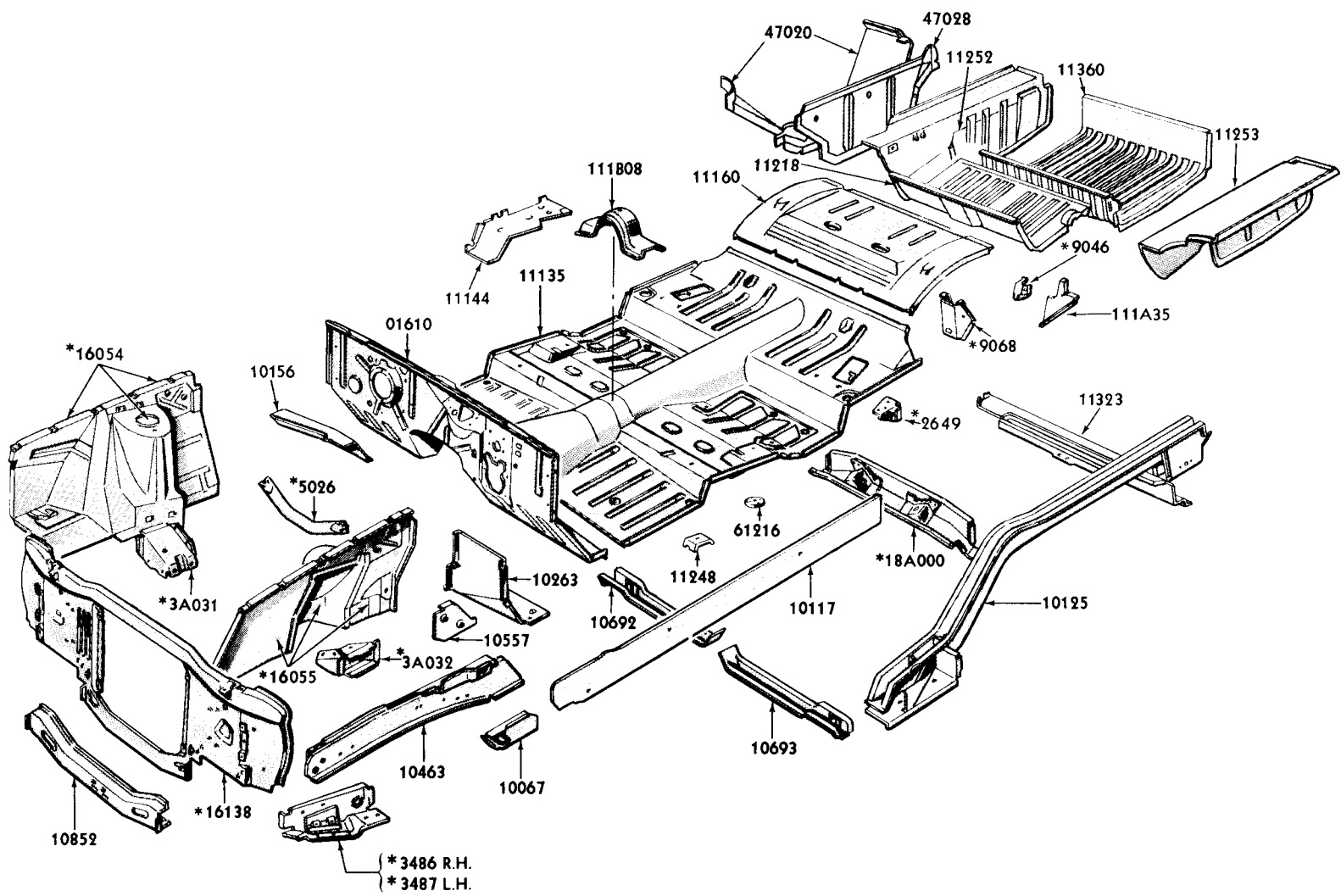




1963 FAIRLANE TUDOR - UPPER BODY - BODY TYPE B (62)



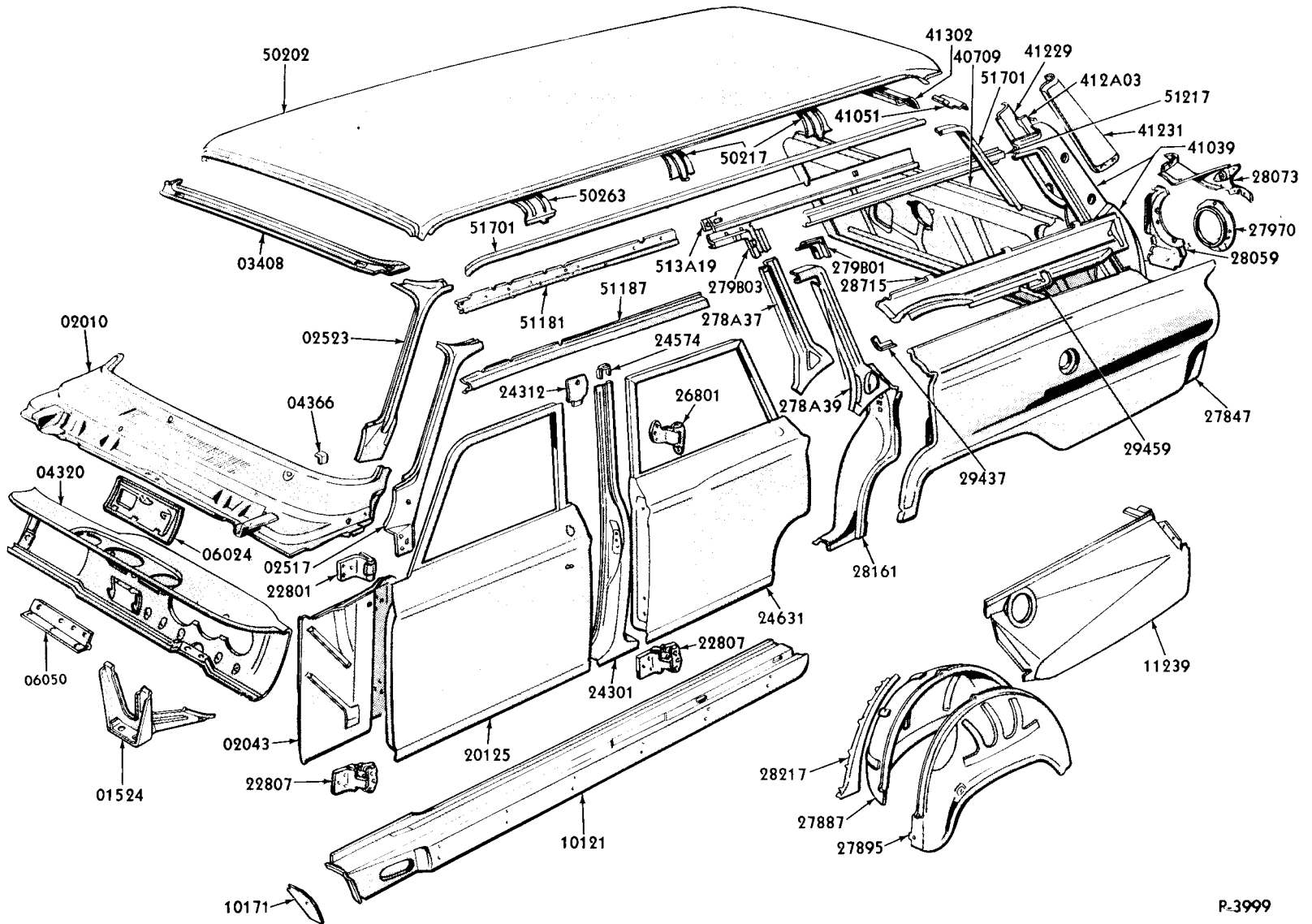
P-3998

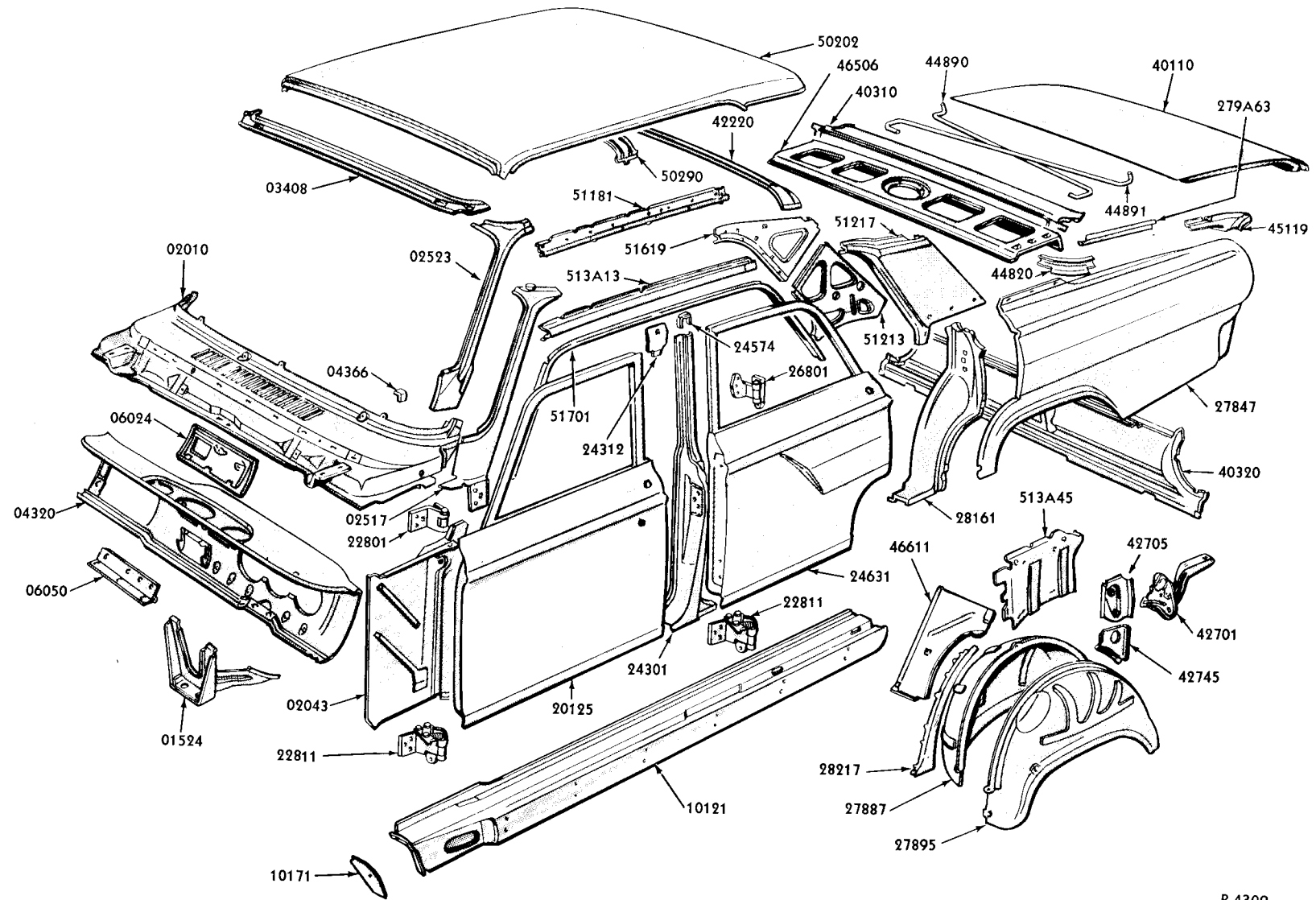


* REFER TO GROUP IN CHASSIS SECTION

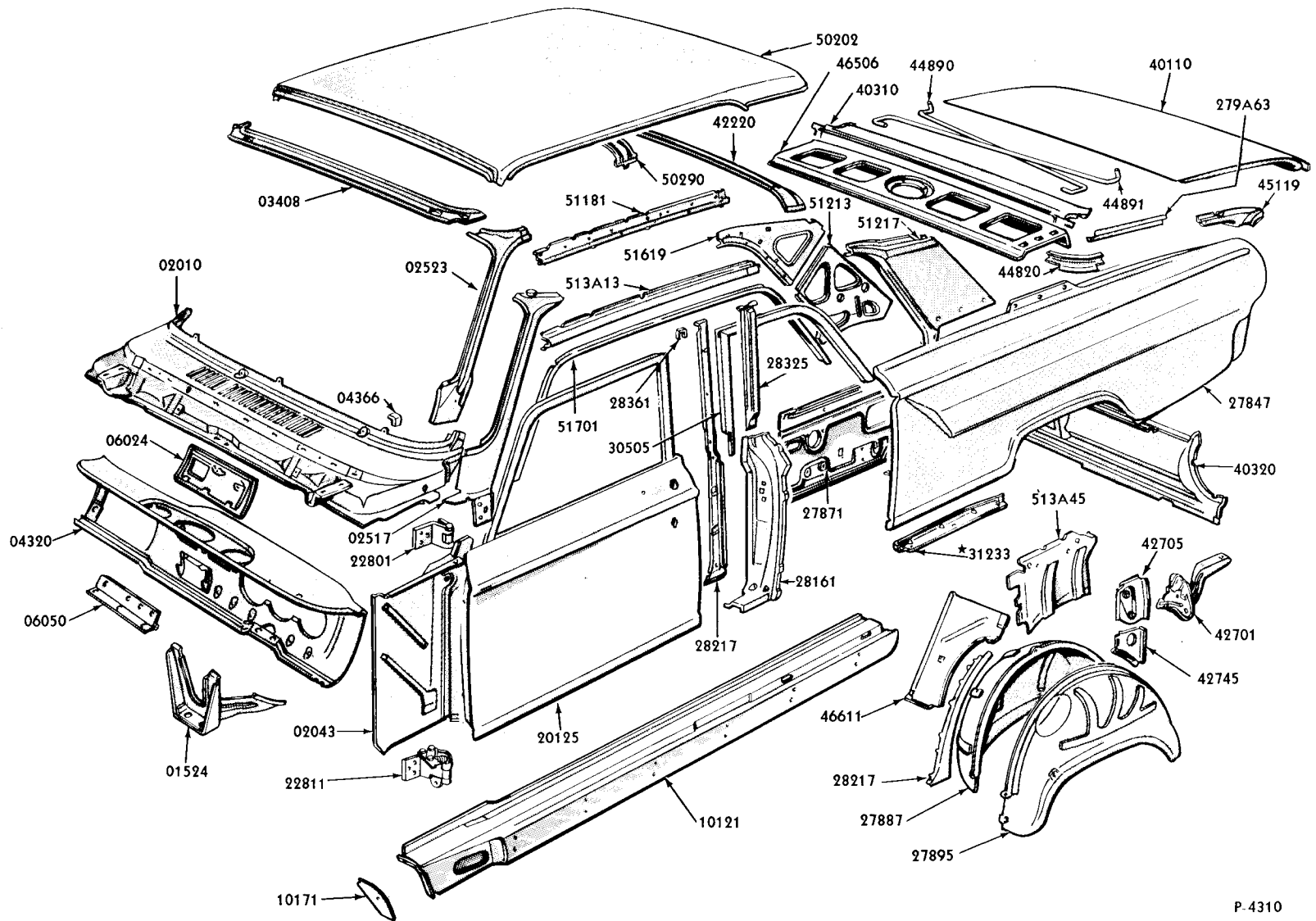
P-4001

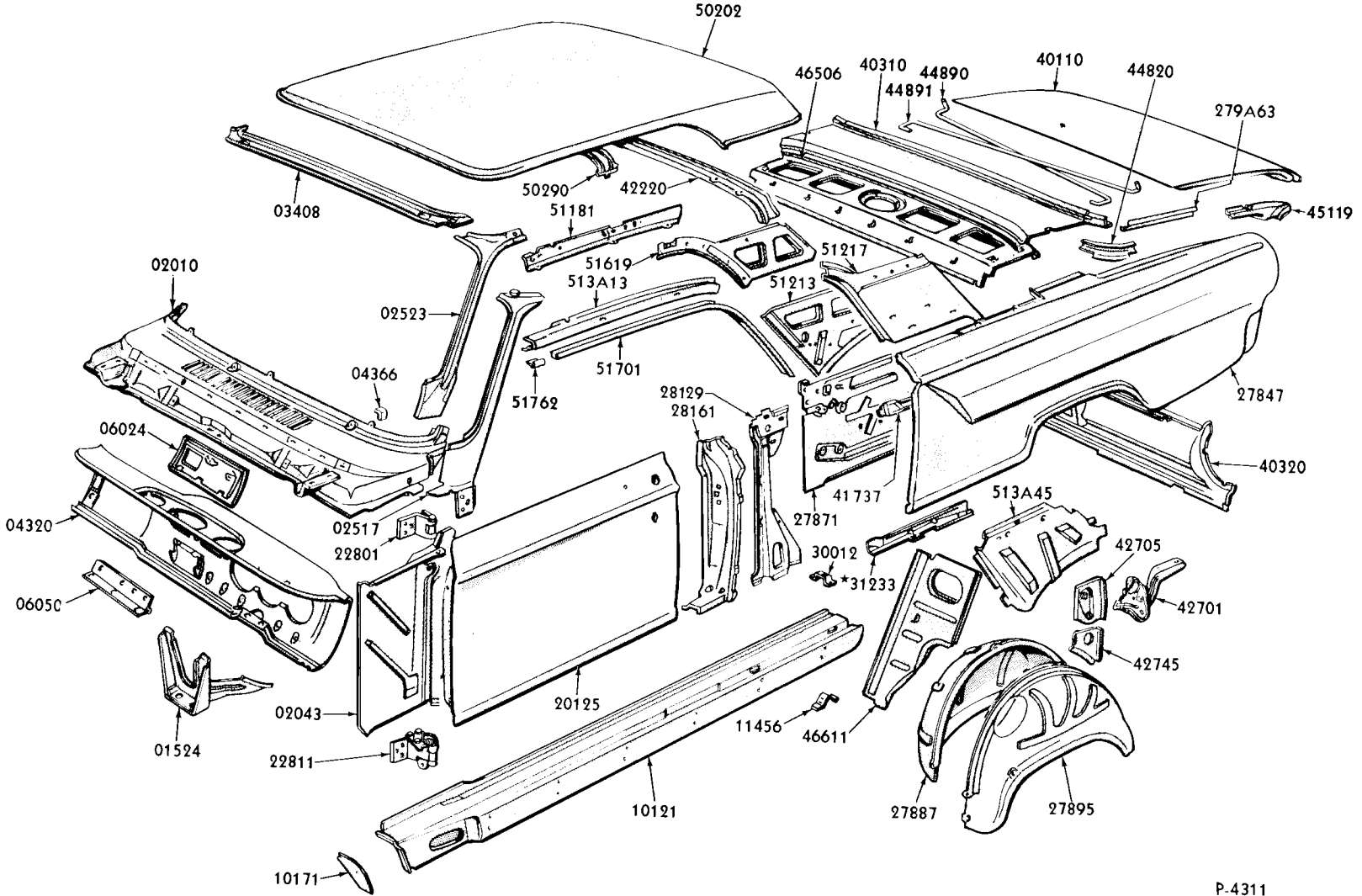
1963/64 FAIRLANE STATION WAGON - UNDERBODY - BODY TYPE B (71)



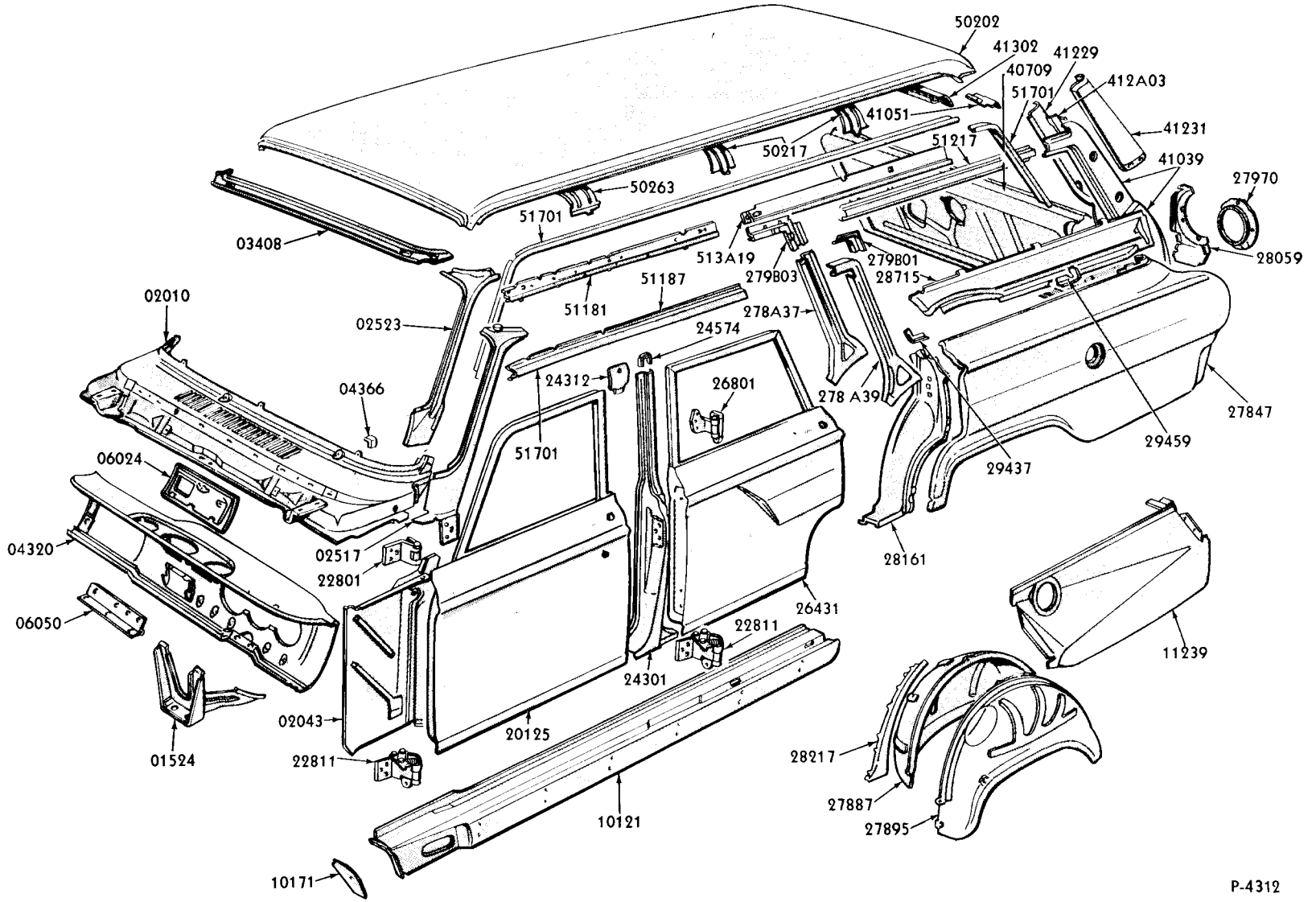


1964 FAIRLANE FORDOR-UPPER BODY - BODY TYPE B(54)





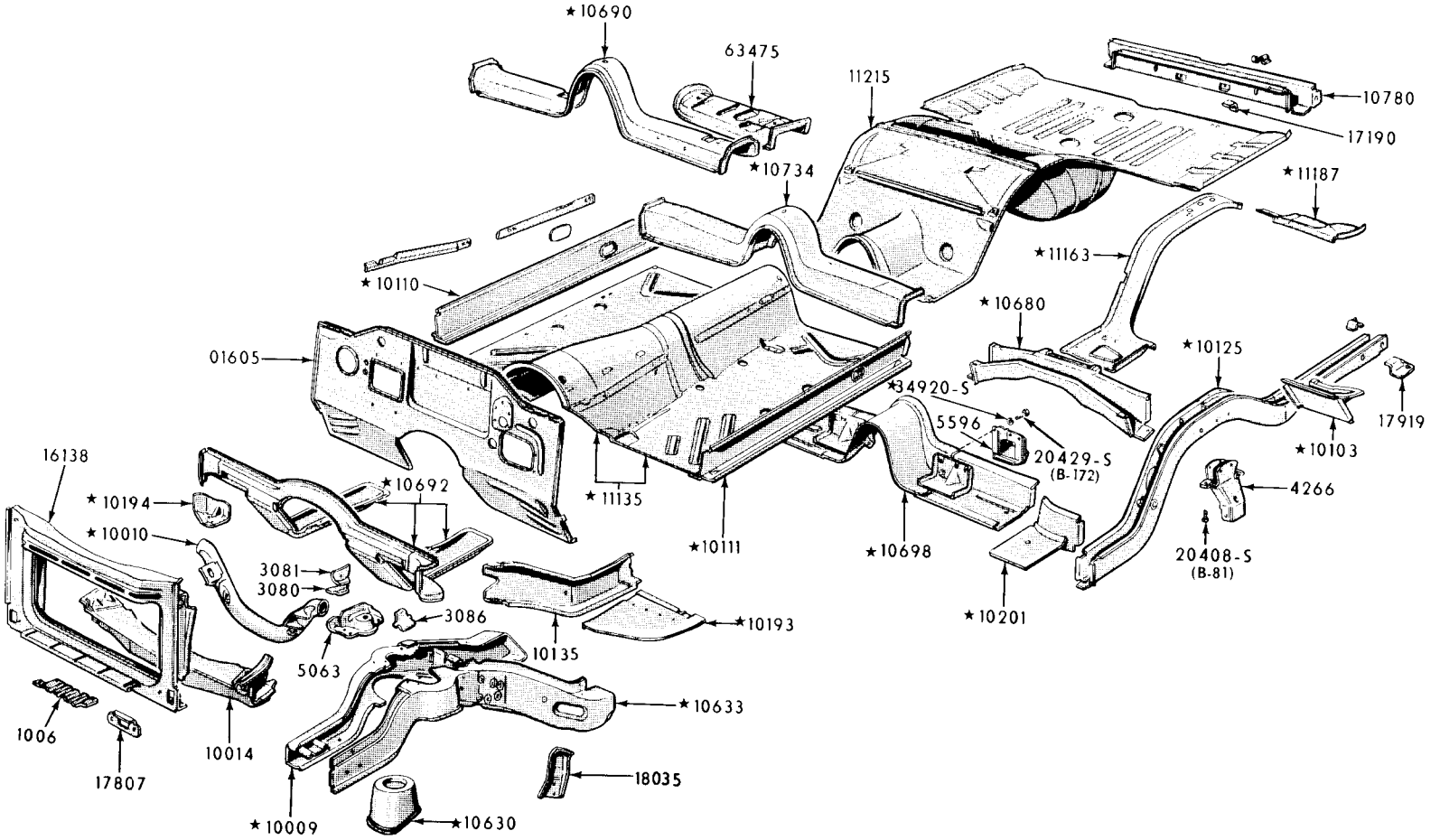
1964 FAIRLANE "500" HARDTOP-UPPER BODY - BODY TYPE B(65)



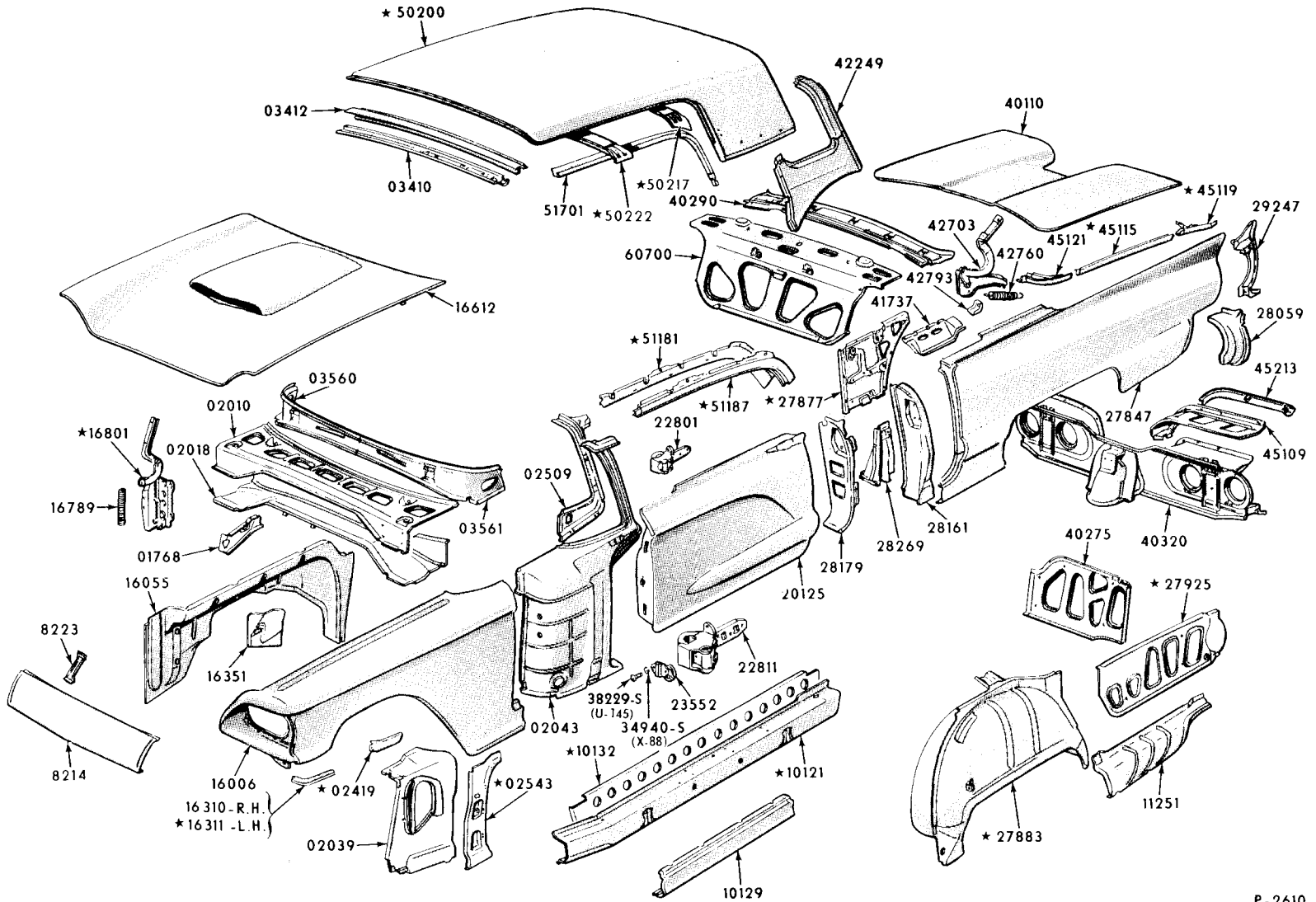
FORD CAR PARTS

**SHEET METAL
ILLUSTRATION SECTION**

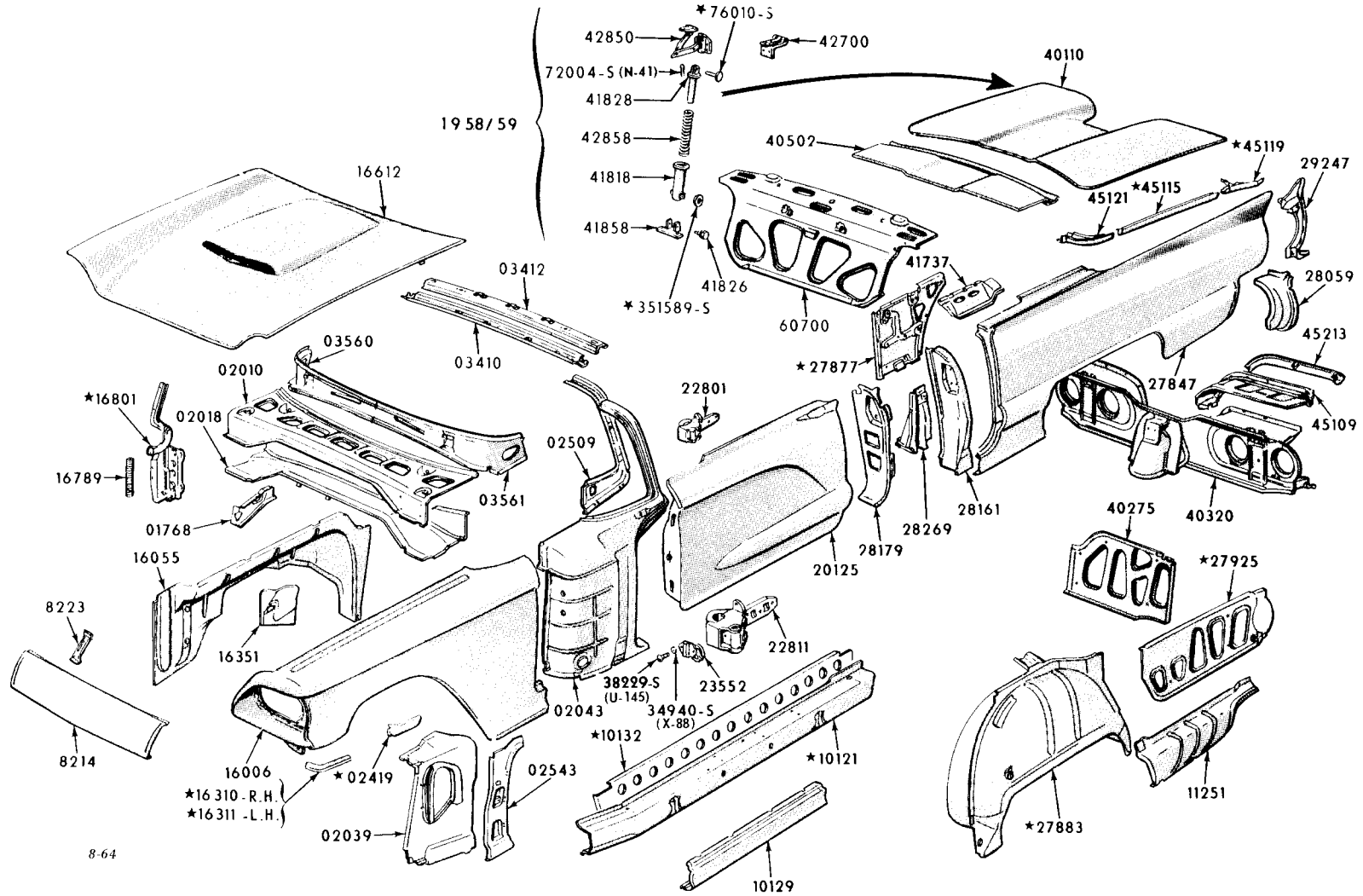
P-4312



1960 THUNDERBIRD (UNDERBODY) -BODY TYPE S (63A, 76A)

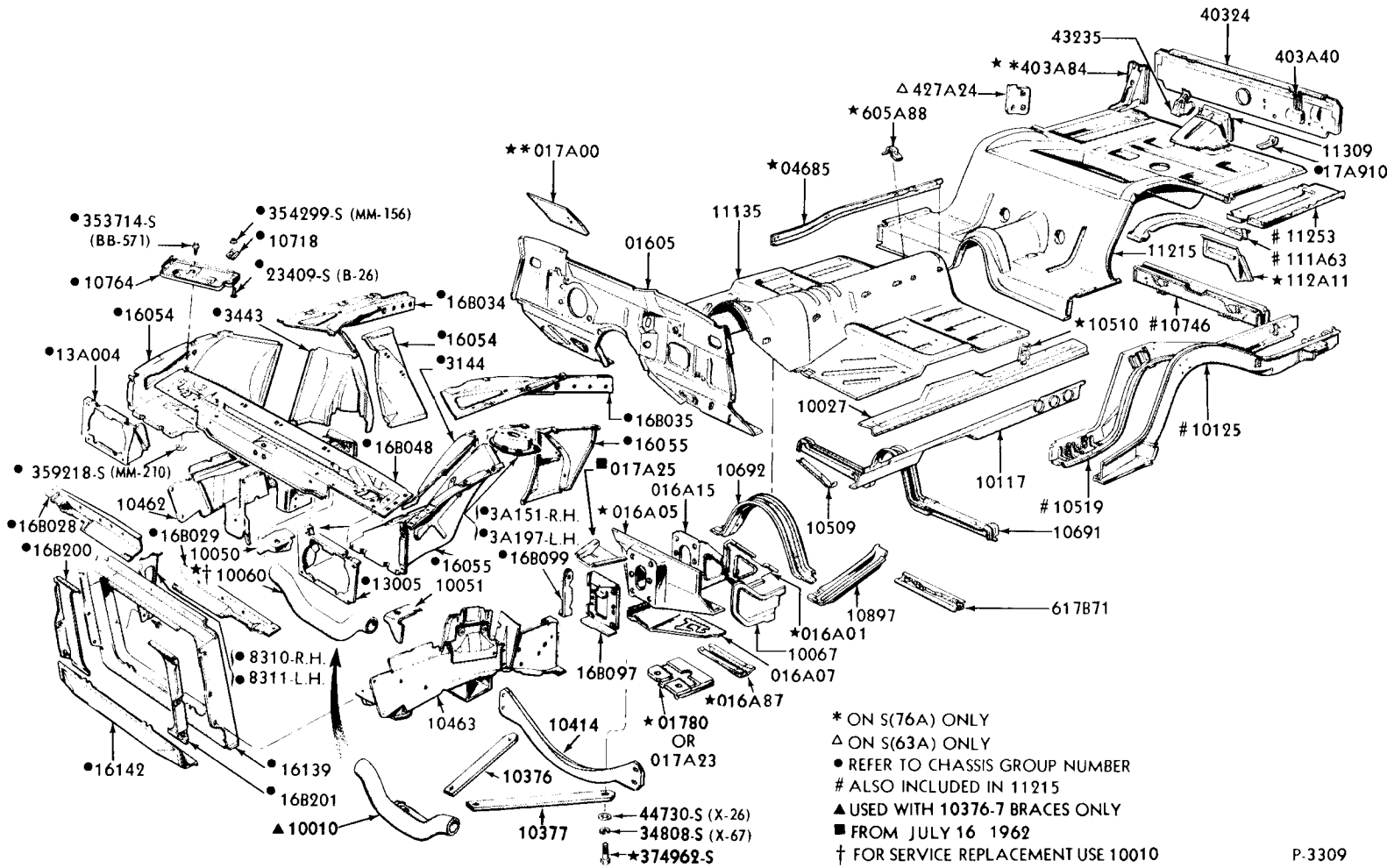


1960 THUNDERBIRD CONVERTIBLE (UPPER BODY) -BODY TYPE S (76A)



8-64

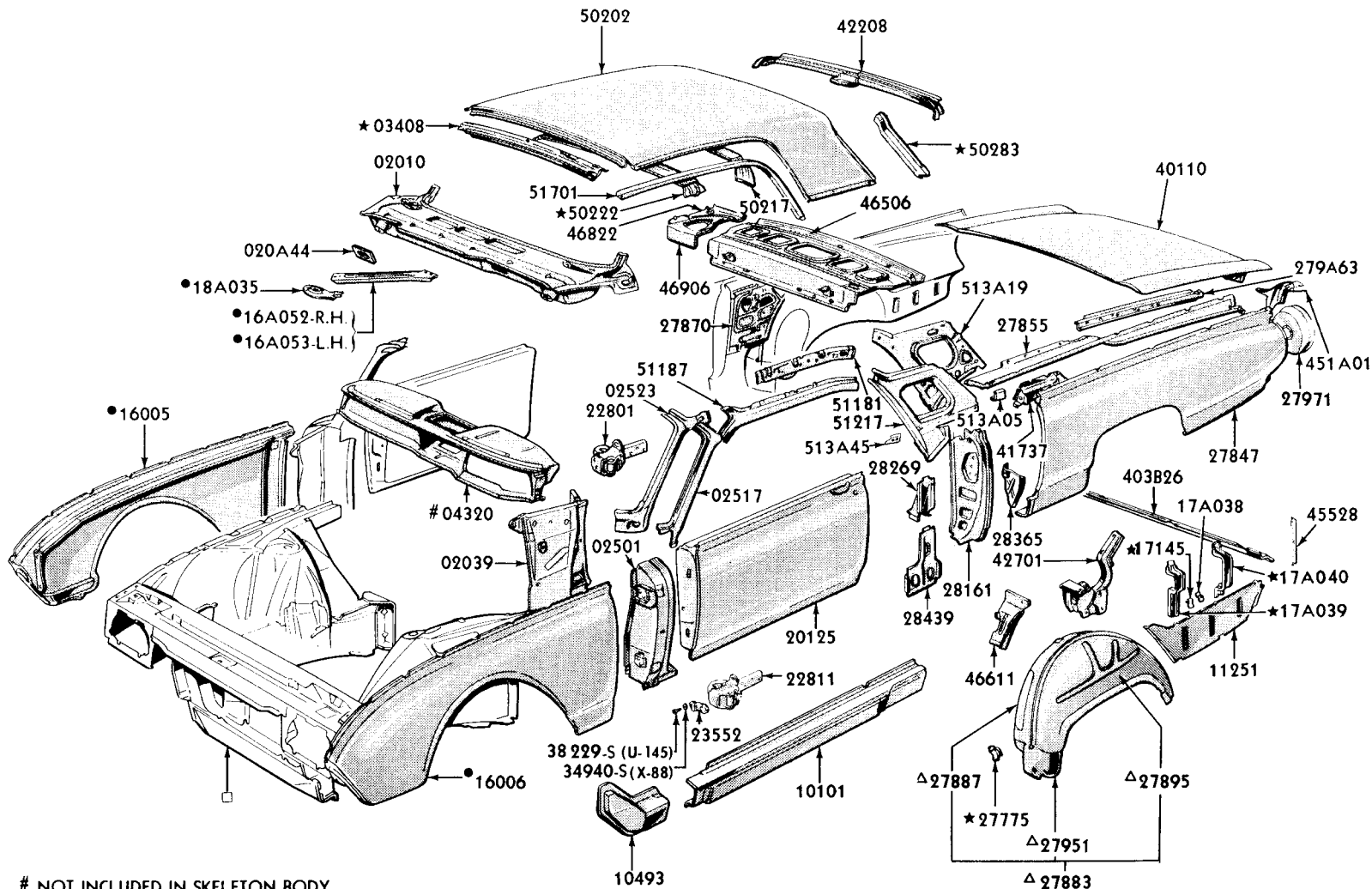
P-2662



- * ON S(76A) ONLY
- Δ ON S(63A) ONLY
- REFER TO CHASSIS GROUP NUMBER
- # ALSO INCLUDED IN 11215
- ▲ USED WITH 10376-7 BRACES ONLY
- FROM JULY 16 1962
- † FOR SERVICE REPLACEMENT USE 10010

P-3309

1961/63 THUNDERBIRD HARDTOP-UPPER BODY-BODY TYPE S (63)

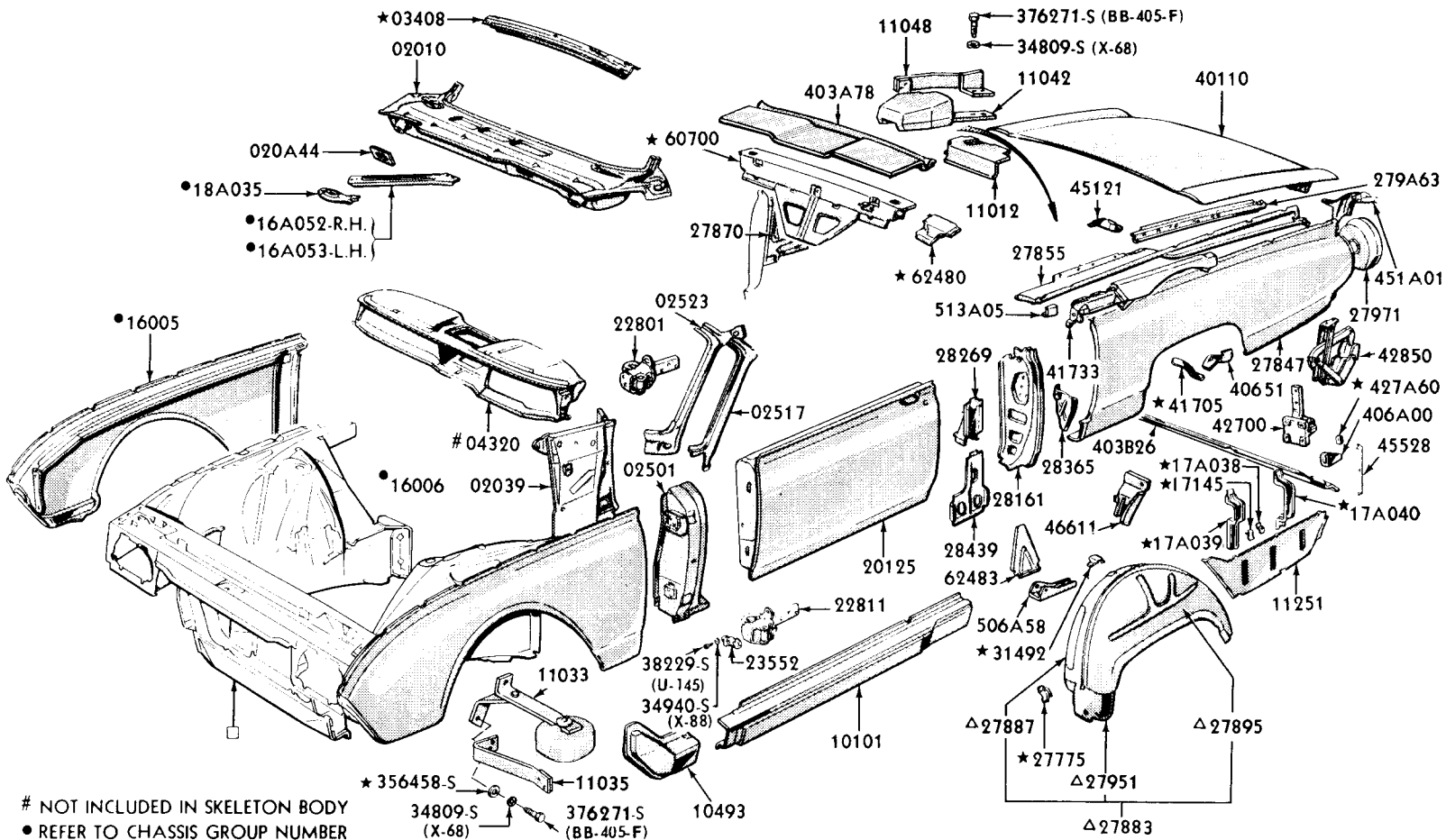


NOT INCLUDED IN SKELETON BODY

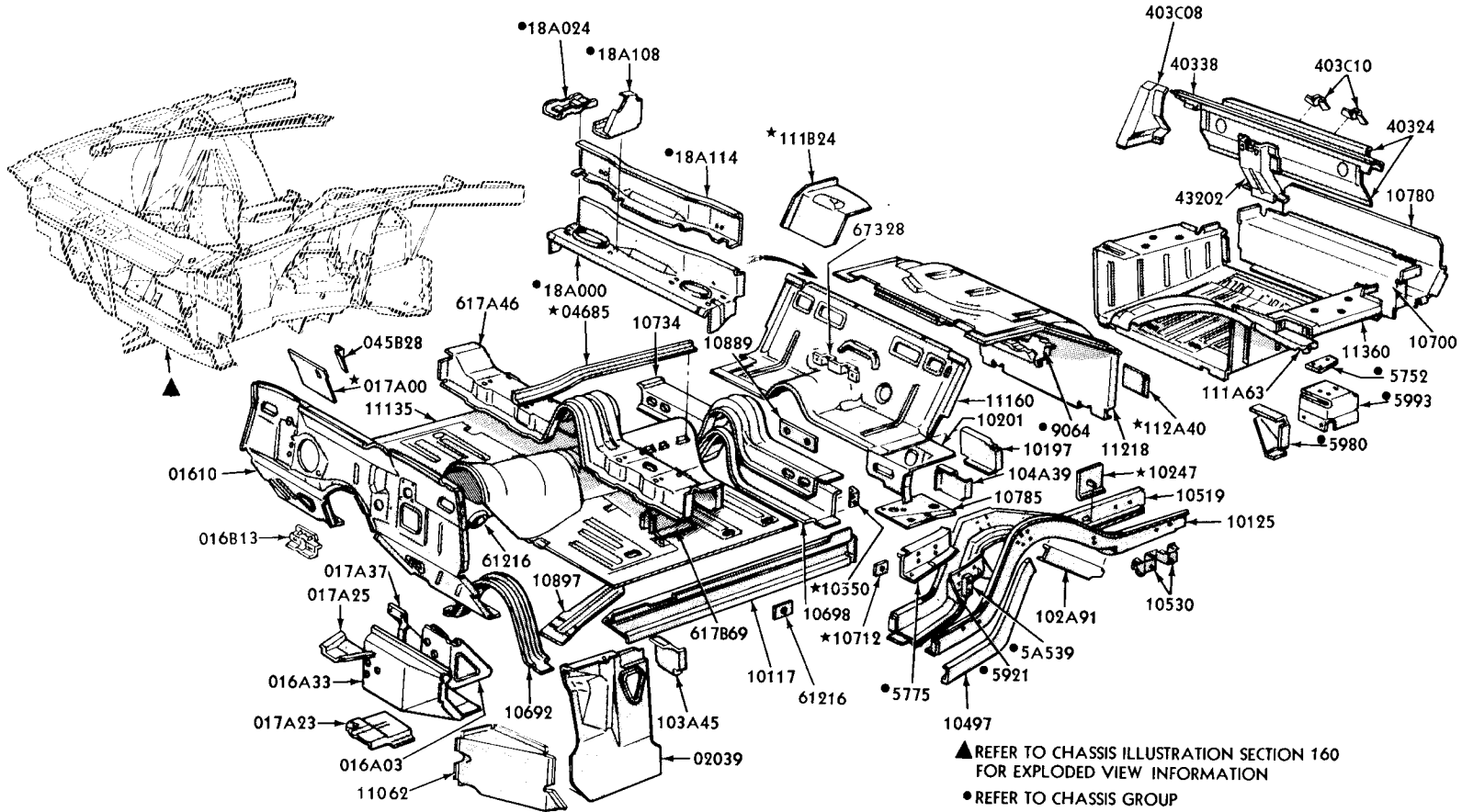
● REFER TO CHASSIS GROUP NUMBER

□ REFER TO UNDERBODY OR CHASSIS ILLUSTRATION SECTION 160

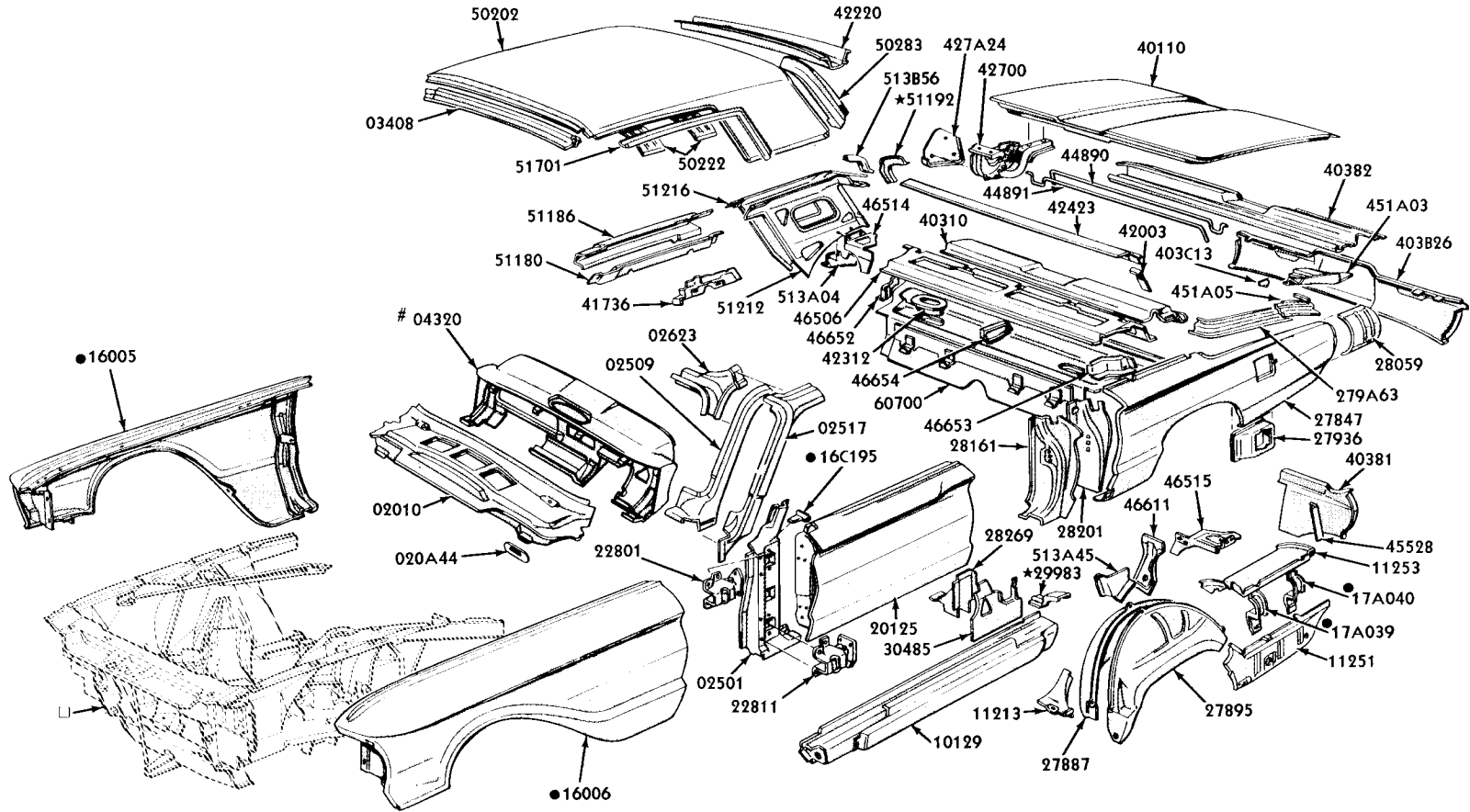
△ 1962 SERVICE DETAILS



- # NOT INCLUDED IN SKELETON BODY
- REFER TO CHASSIS GROUP NUMBER
- REFER TO UNDERBODY OR CHASSIS ILLUSTRATION SECTION 160
- Δ 1962 SERVICE DETAILS

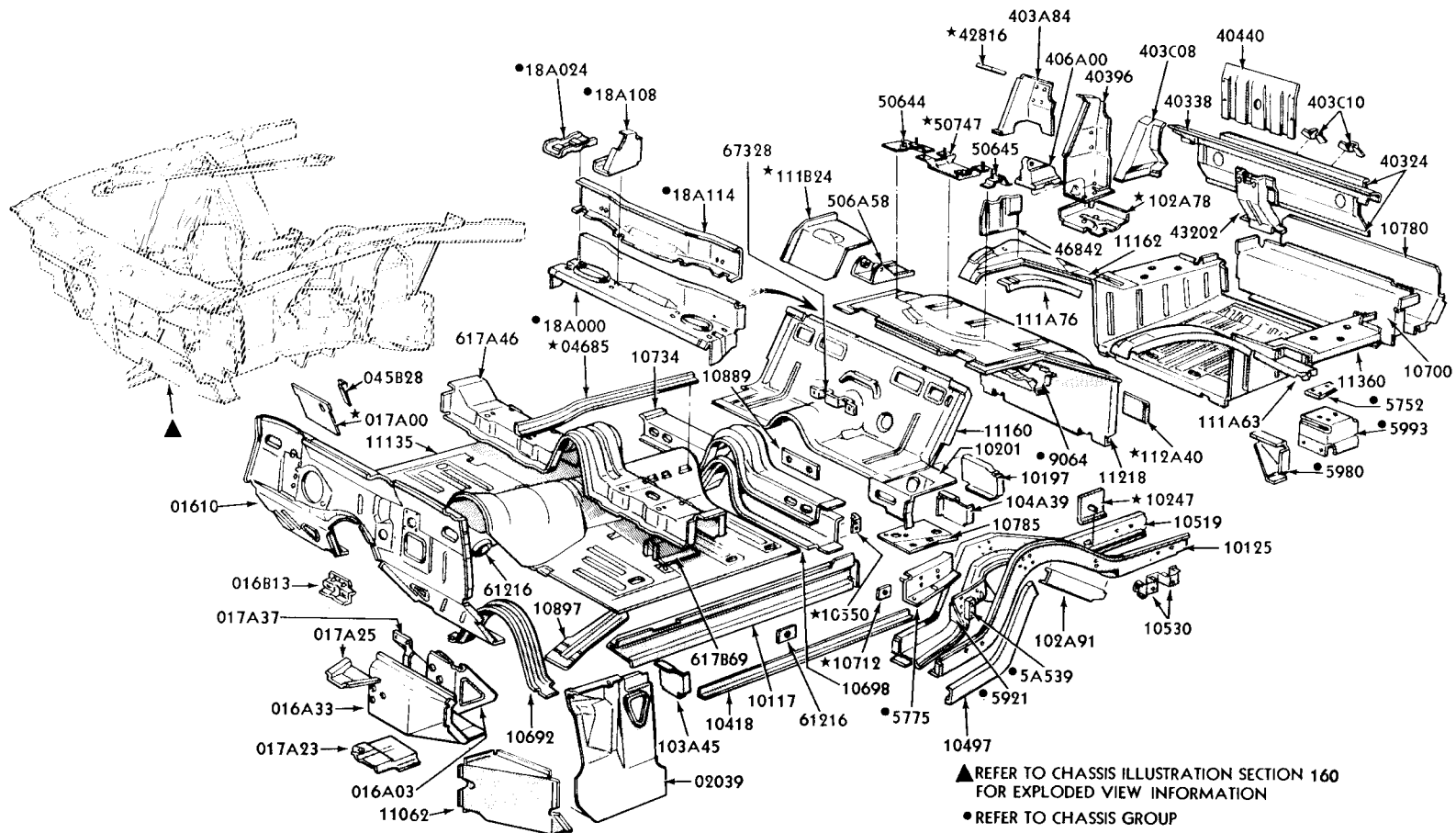


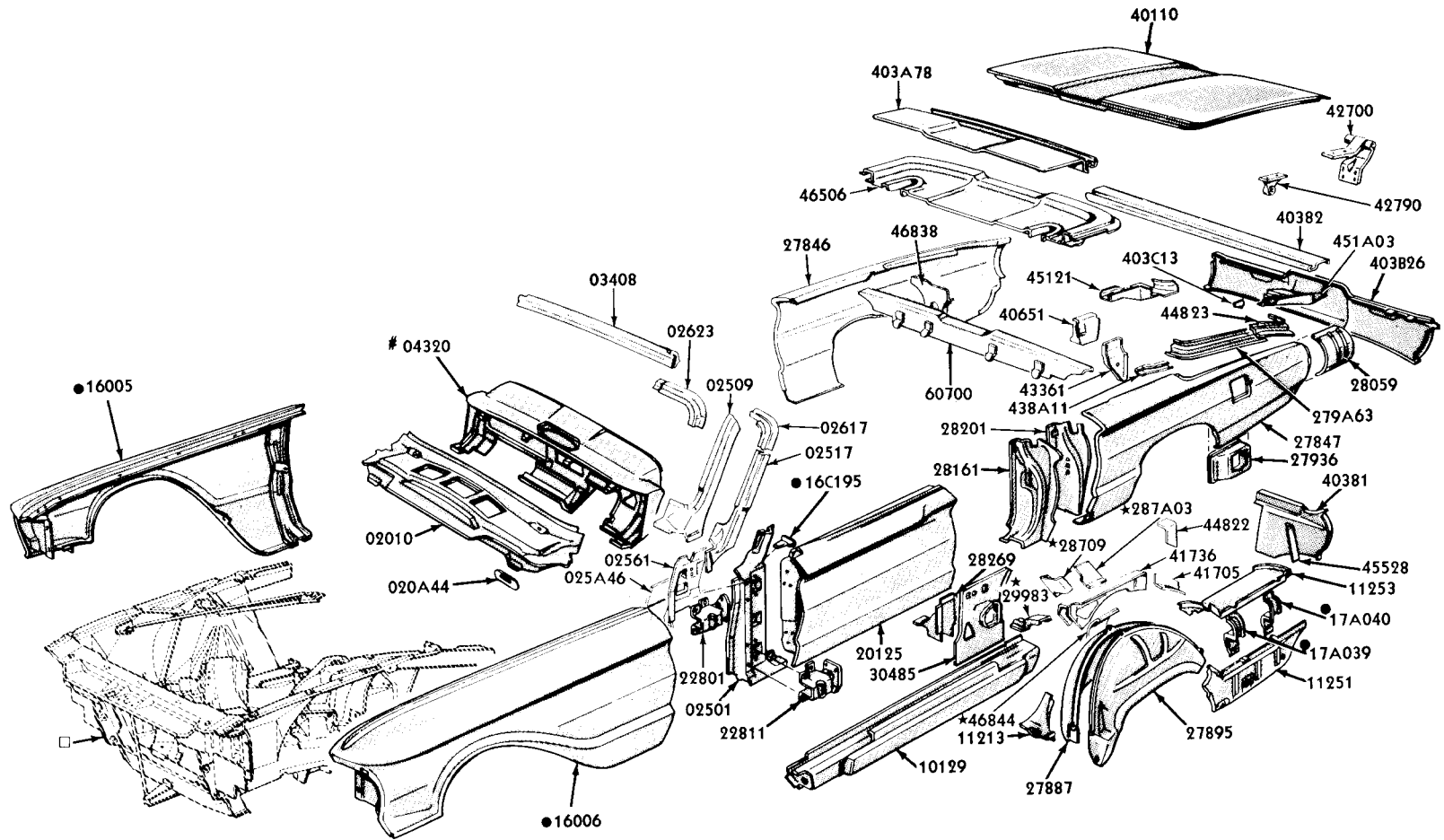
1964 THUNDERBIRD HARDTOP-UNDERBODY - BODY TYPE S(68)



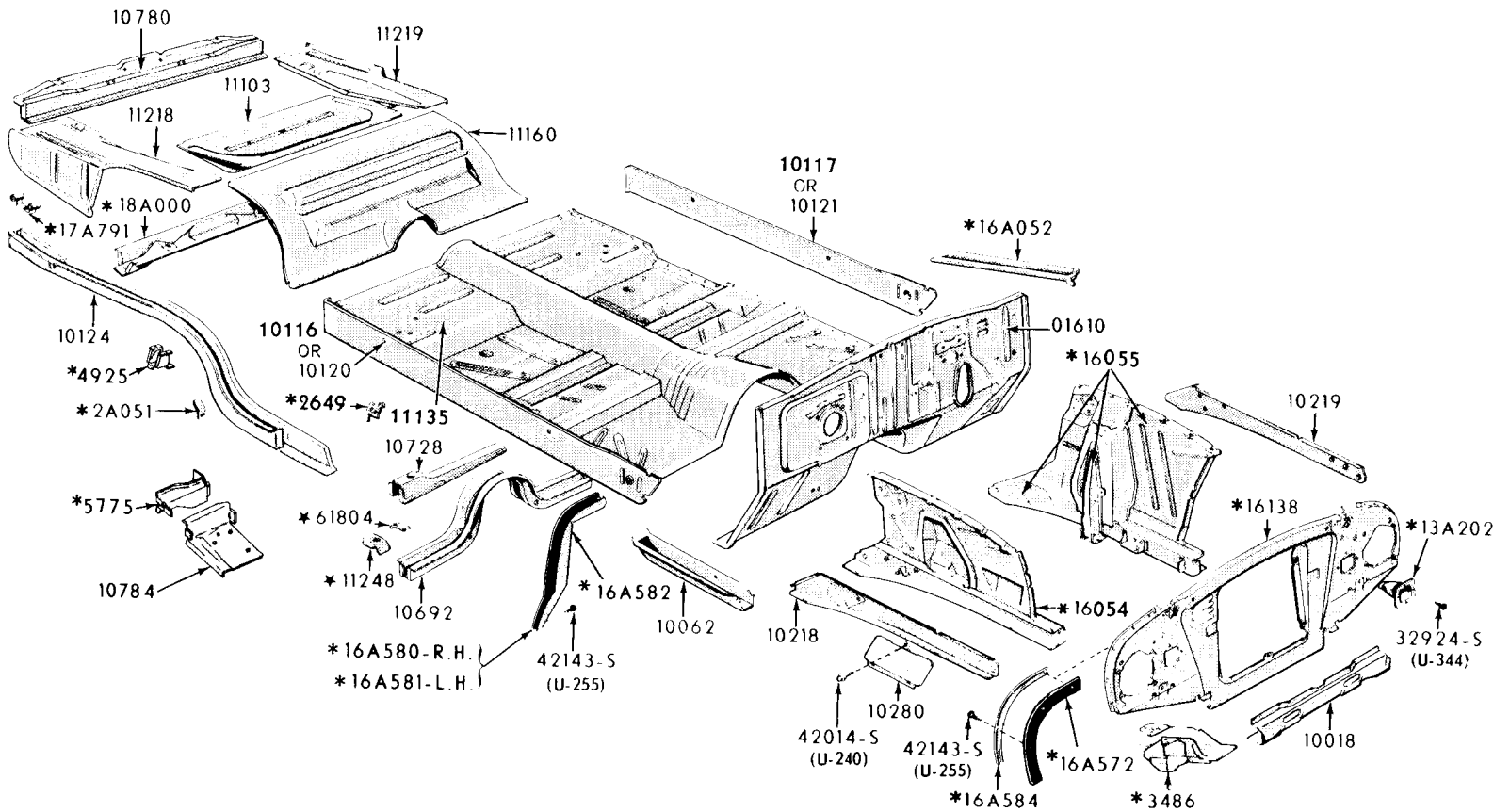
- # NOT INCLUDED IN SKELETON BODY
- REFER TO CHASSIS GROUP NUMBER
- REFER TO CHASSIS ILLUSTRATION SECTION 160

P-4320



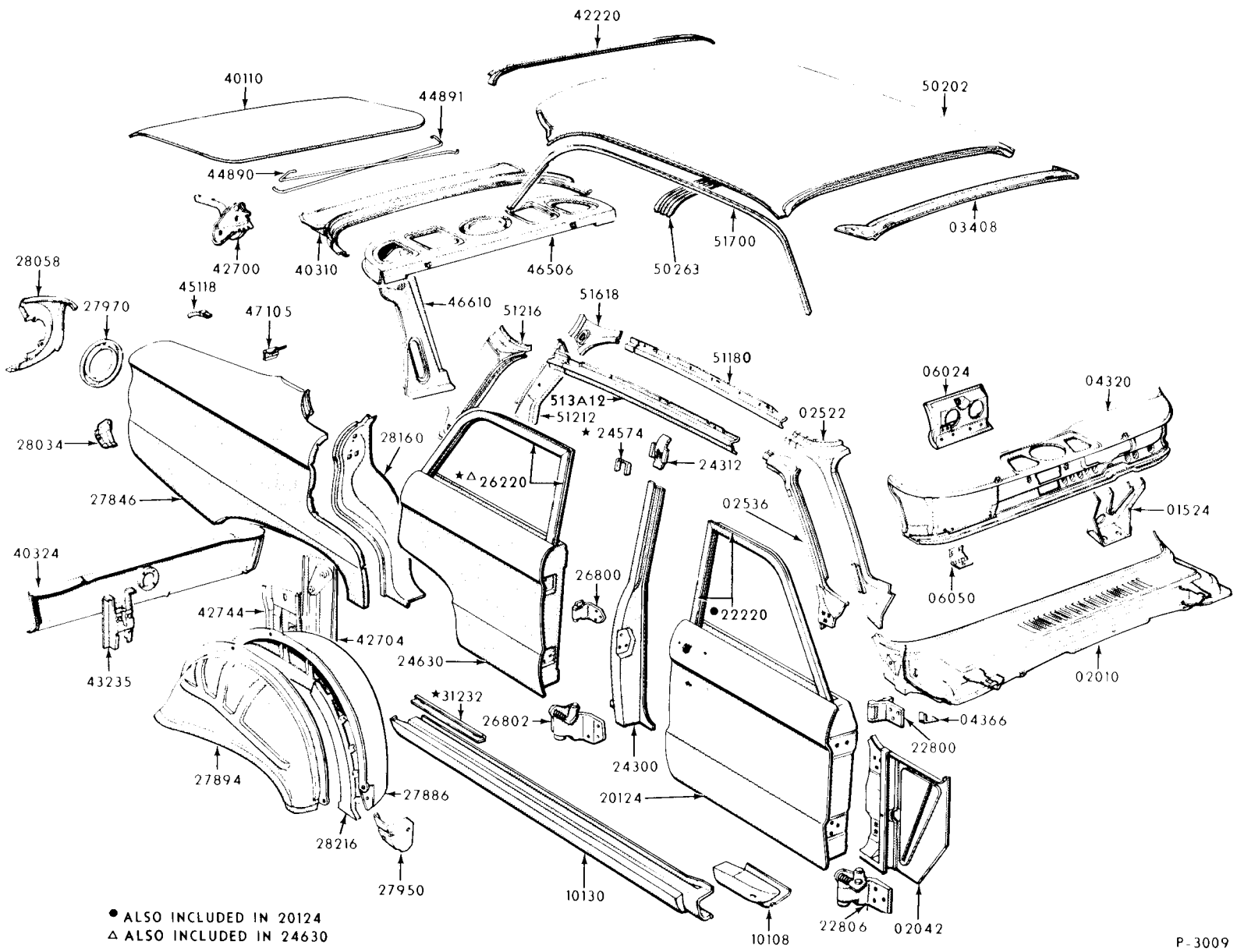


- # NOT INCLUDED IN SKELETON BODY
- REFER TO CHASSIS GROUP NUMBER
- REFER TO CHASSIS ILLUSTRATION SECTION 160

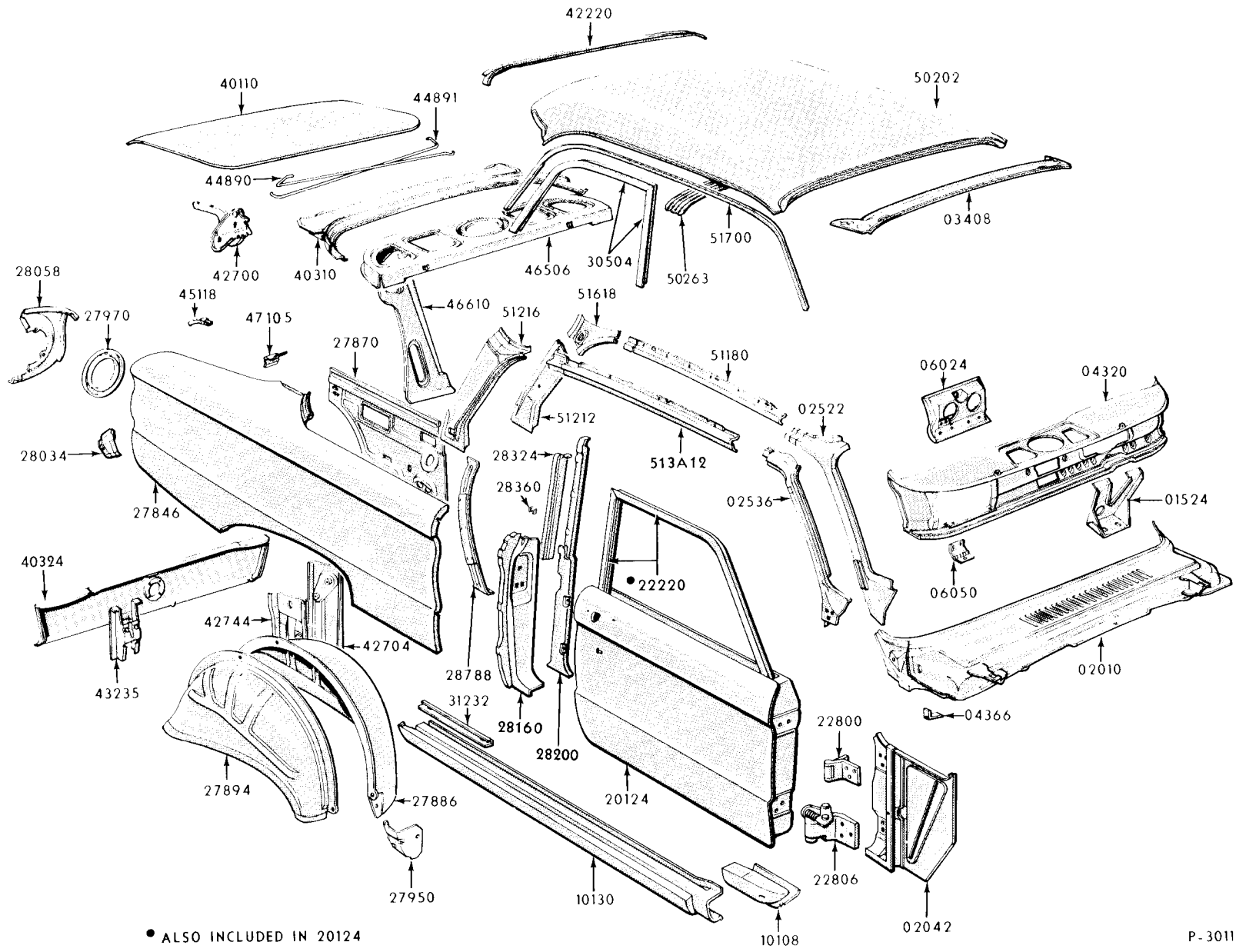


1960/64 FALCON TYPICAL UNDERBODY-BODY TYPE X (34, 58A, 62, 63, 64)

*REFER TO CHASSIS GROUP



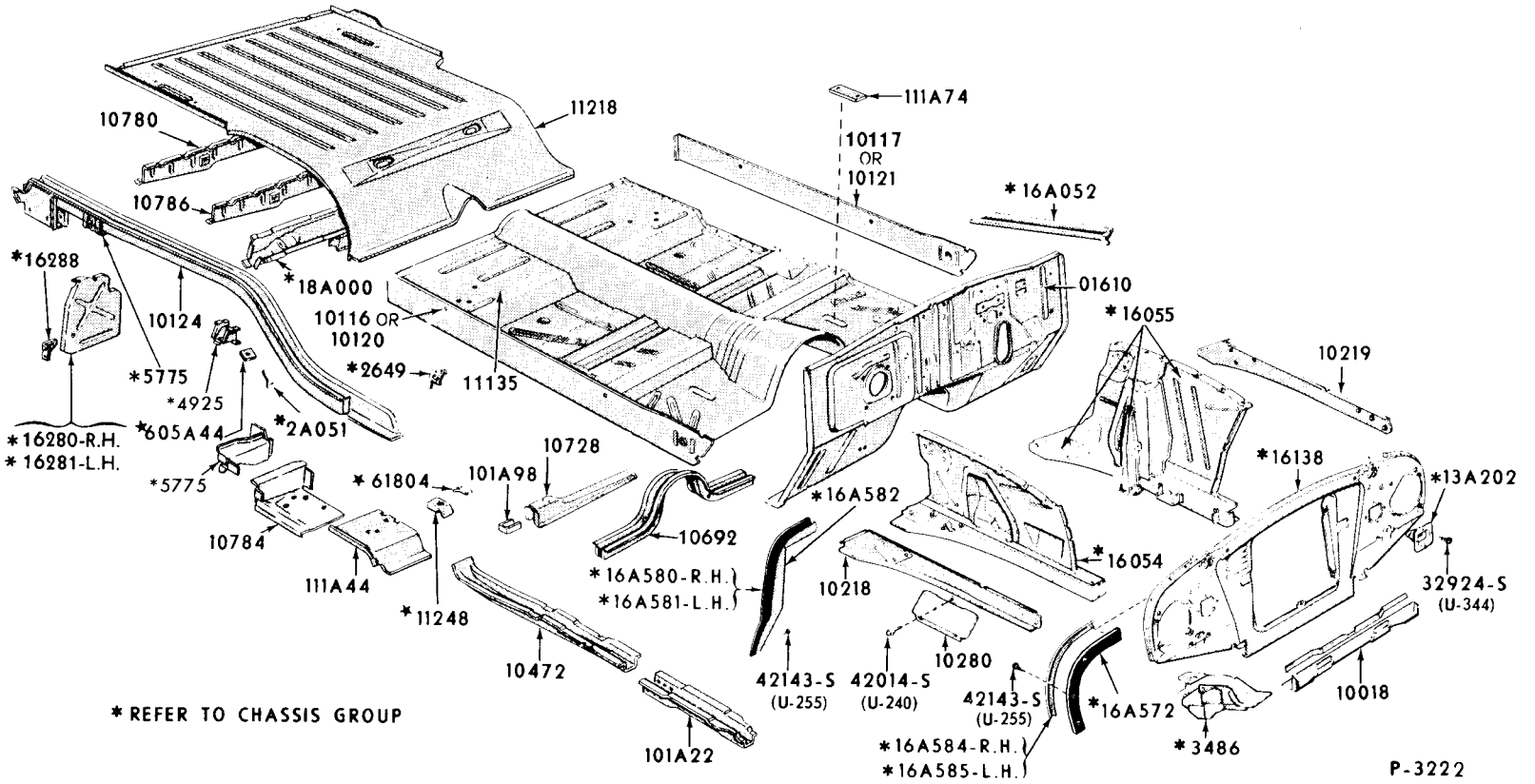
● ALSO INCLUDED IN 20124
△ ALSO INCLUDED IN 24630



• ALSO INCLUDED IN 20124

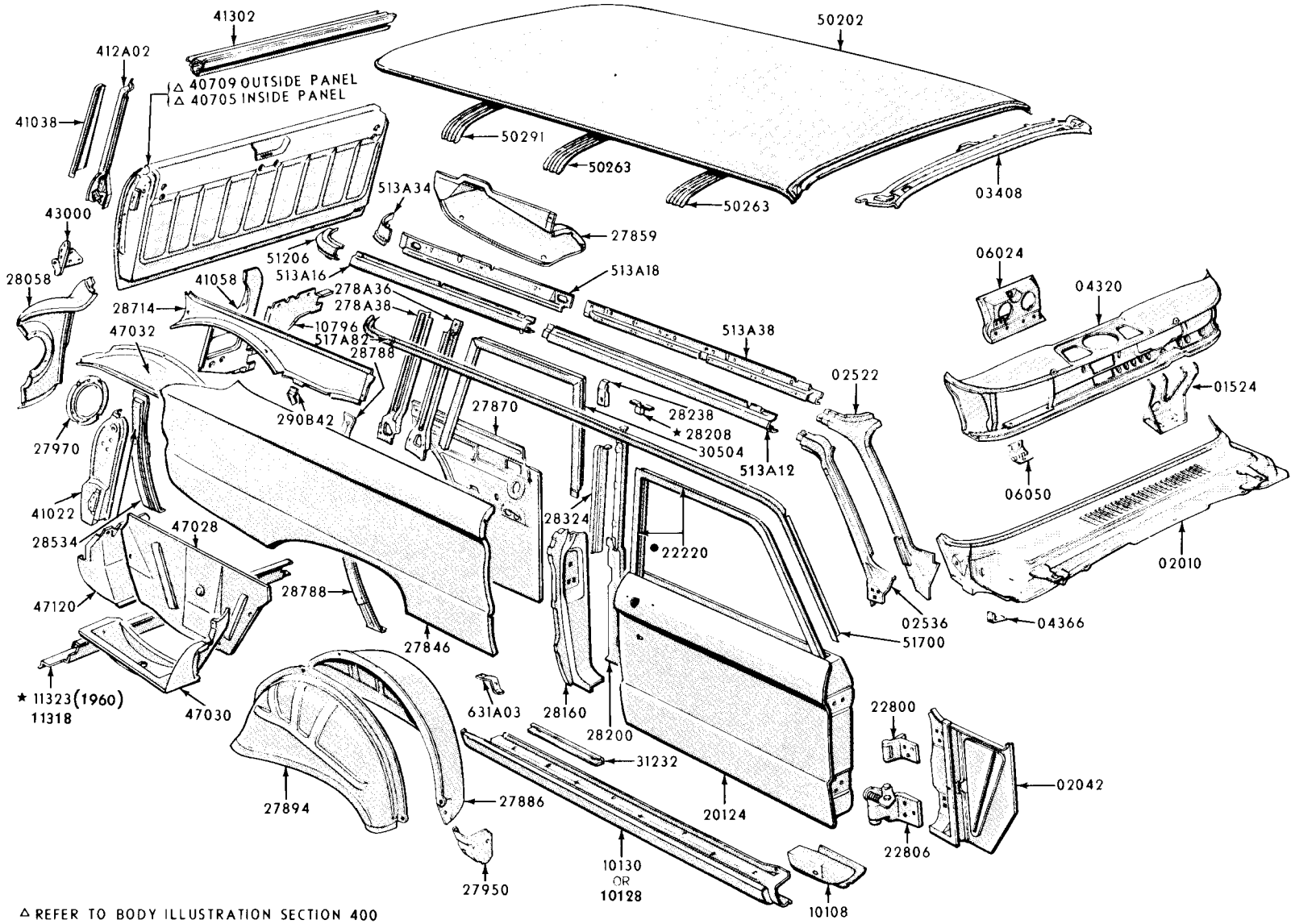
1960-62 FALCON TUDOR SEDAN-UPPER BODY-BODY TYPE X (64)

1960/64 FALCON TYPICAL UNDERBODY-BODY TYPES X (59, 66, 71, 79)



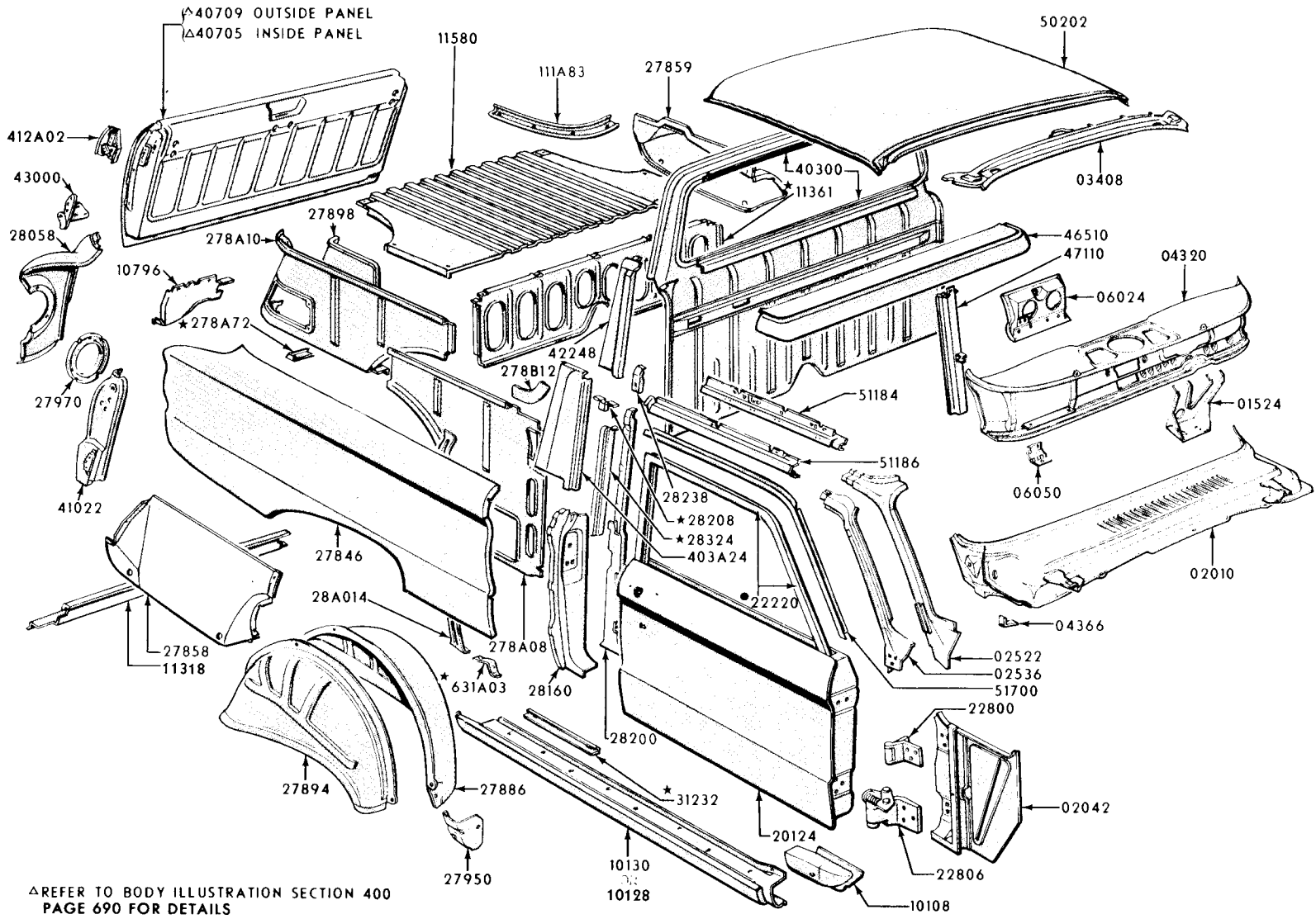
FORD CAR PARTS SHEET METAL ILLUSTRATION SECTION

1960/63 FALCON RANCH WAGON & TYPICAL SEDAN DELIVERY-UPPER BODY-BODY TYPES X(59, 78)



Δ REFER TO BODY ILLUSTRATION SECTION 400 PAGE 690 FOR DETAILS
 * ALSO INCLUDED IN 20124

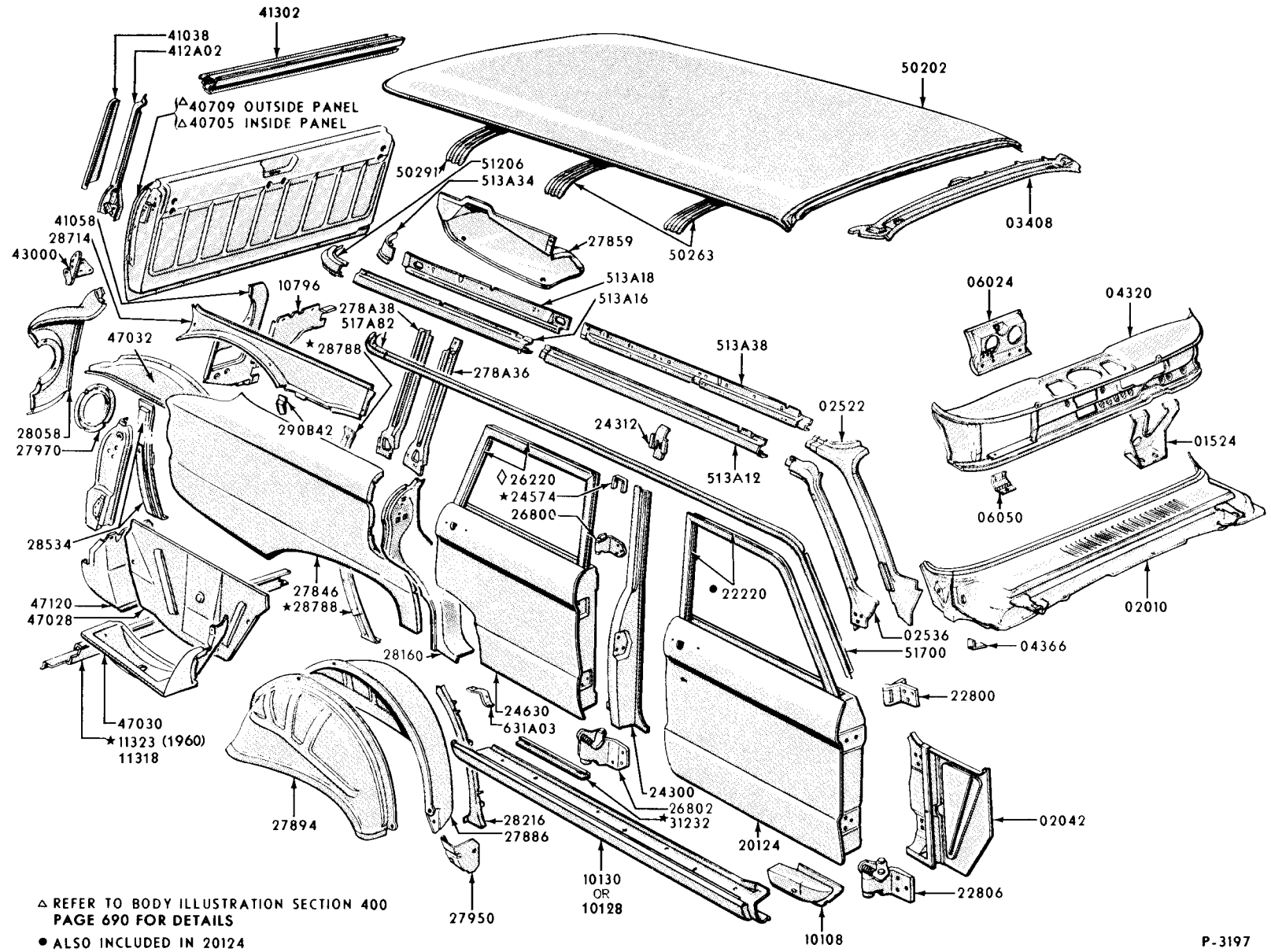
1960/63 FALCON TYPICAL RANCHERO-UPPER BODY-BODY TYPE X(66)



△REFER TO BODY ILLUSTRATION SECTION 400
PAGE 690 FOR DETAILS

● ALSO INCLUDED IN 20124

FORD CAR PARTS
SHEET METAL
ILLUSTRATION SECTION

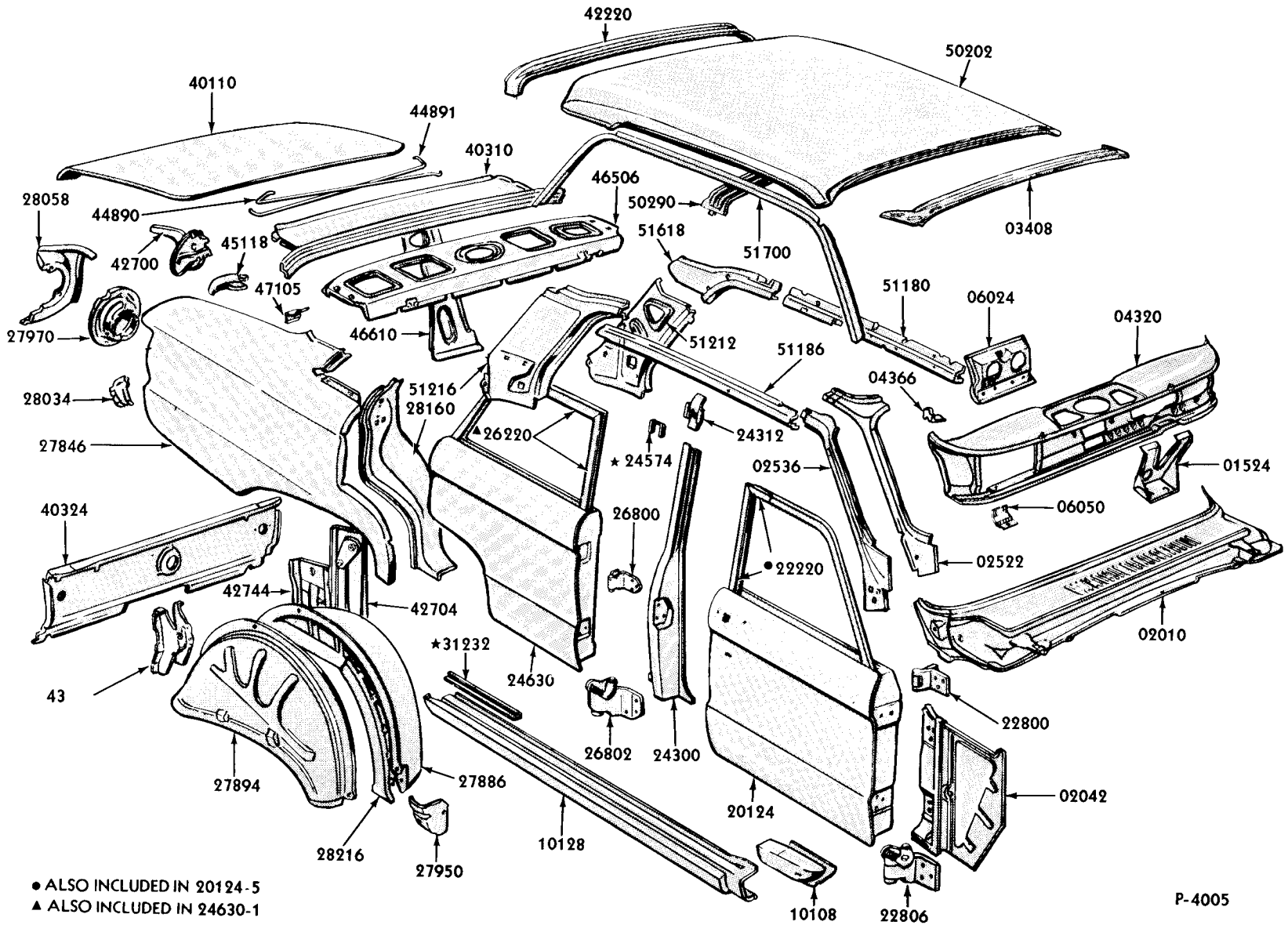


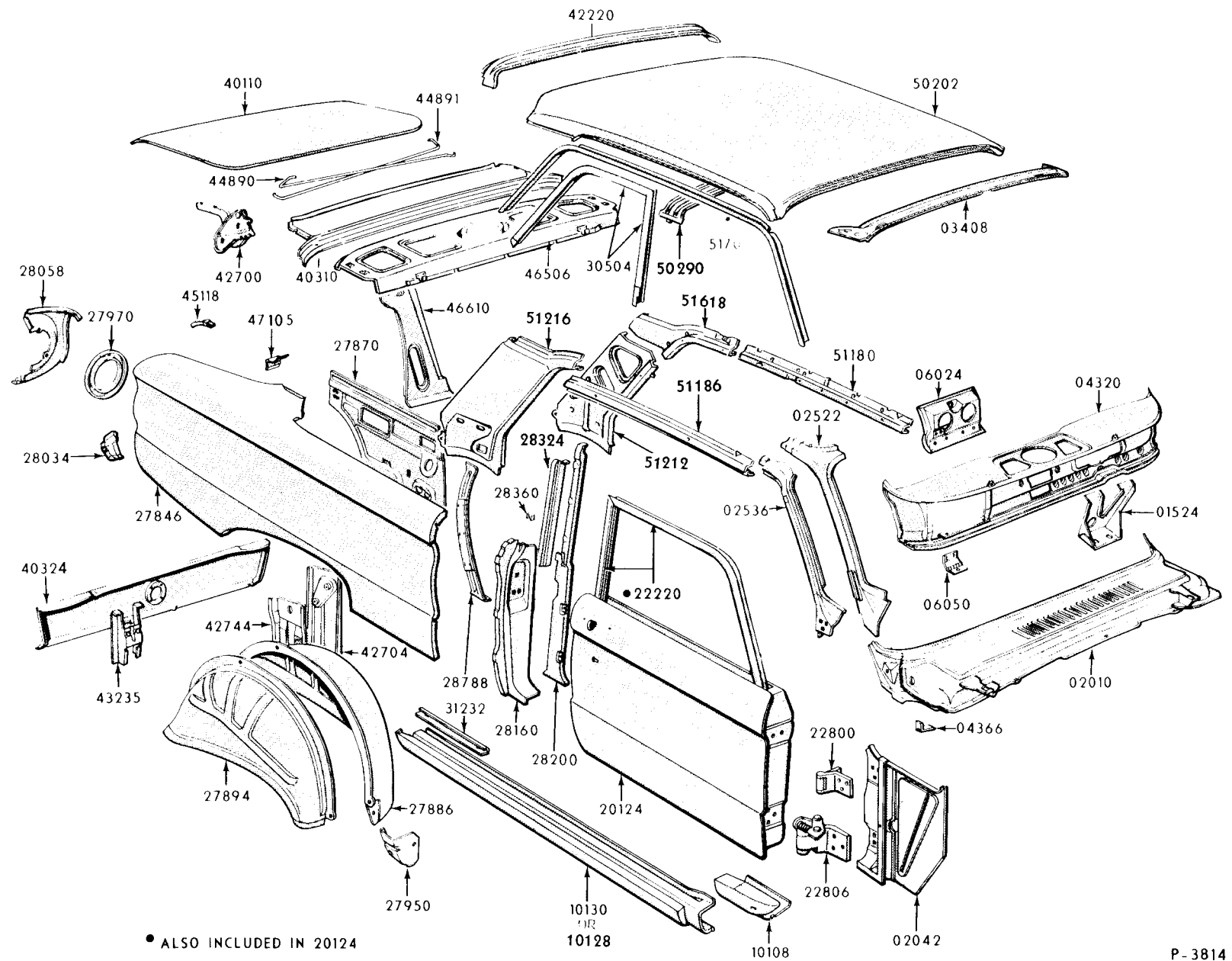
Δ REFER TO BODY ILLUSTRATION SECTION 400
PAGE 690 FOR DETAILS

● ALSO INCLUDED IN 20124

◇ ALSO INCLUDED IN 24630

1960/68 FALCON TYPICAL STATION WAGON UPPER BODY-BODY TYPE X(T7)

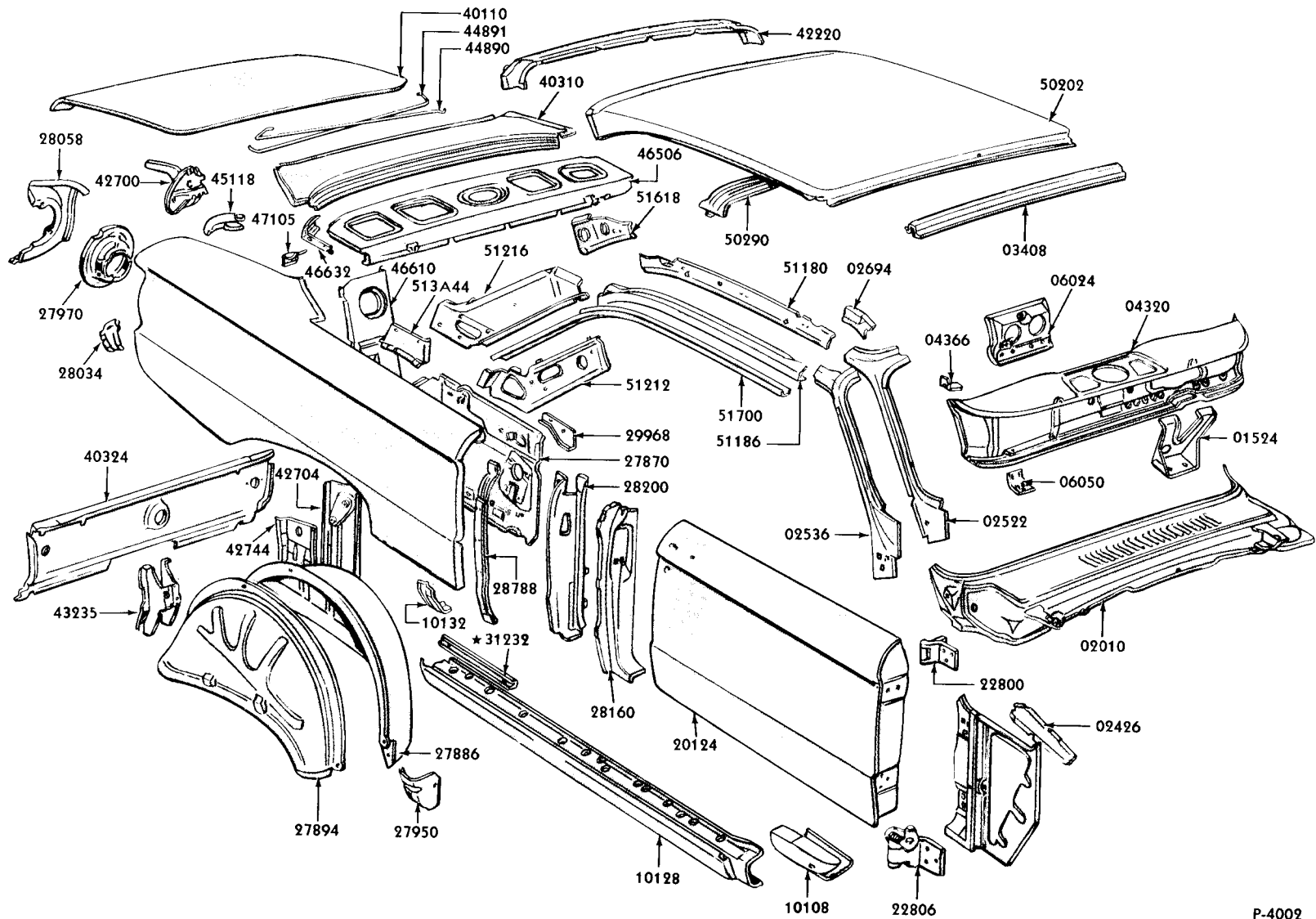




● ALSO INCLUDED IN 20124

1962/63 FALCON TUDOR-BODY TYPE X (92)

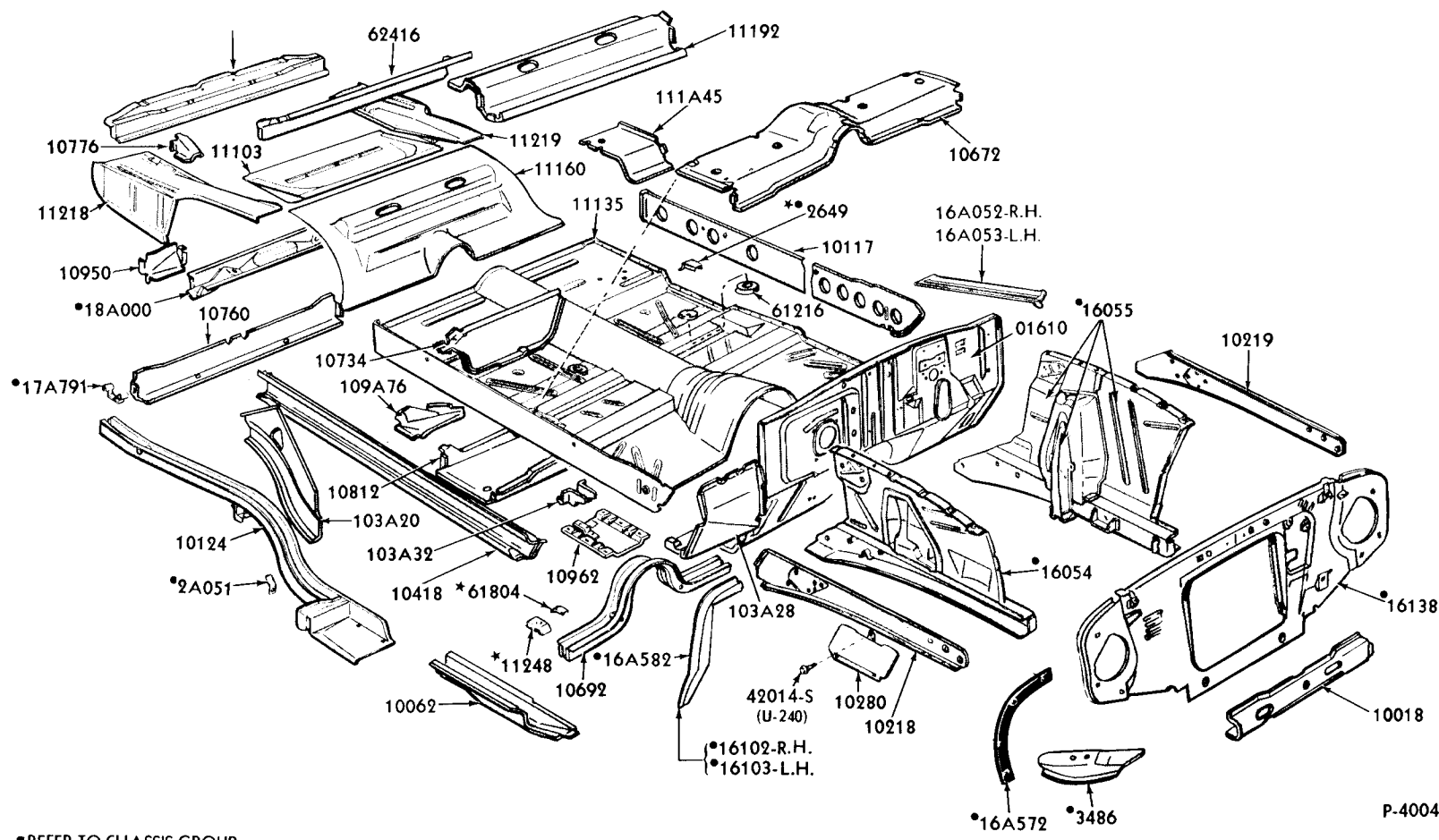
1963 FALCON "FUTURA" HARDTOP - UPPER BODY - BODY TYPE X(63)



FORD CAR PARTS

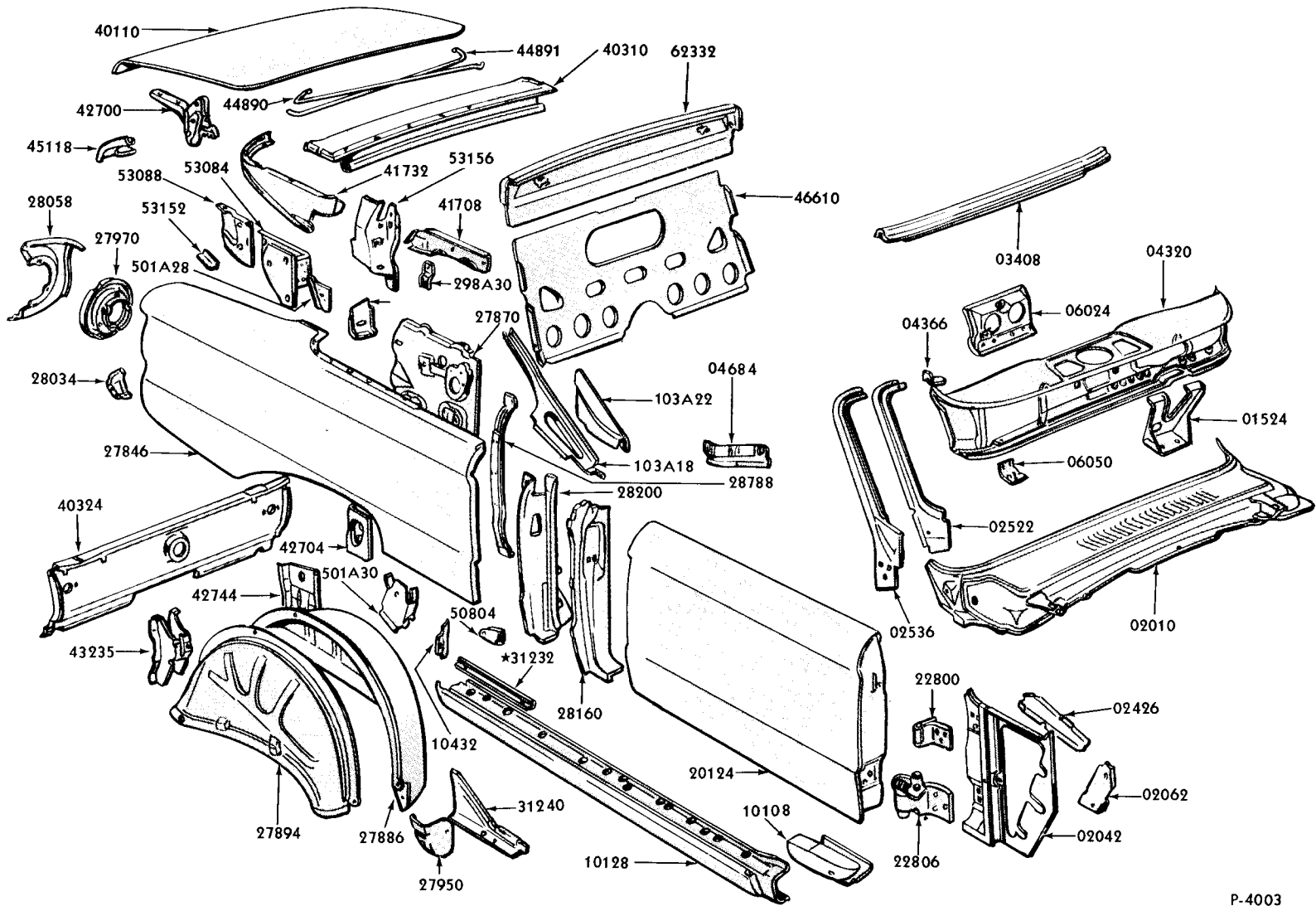
**SHEET METAL
ILLUSTRATION SECTION**

P-4002

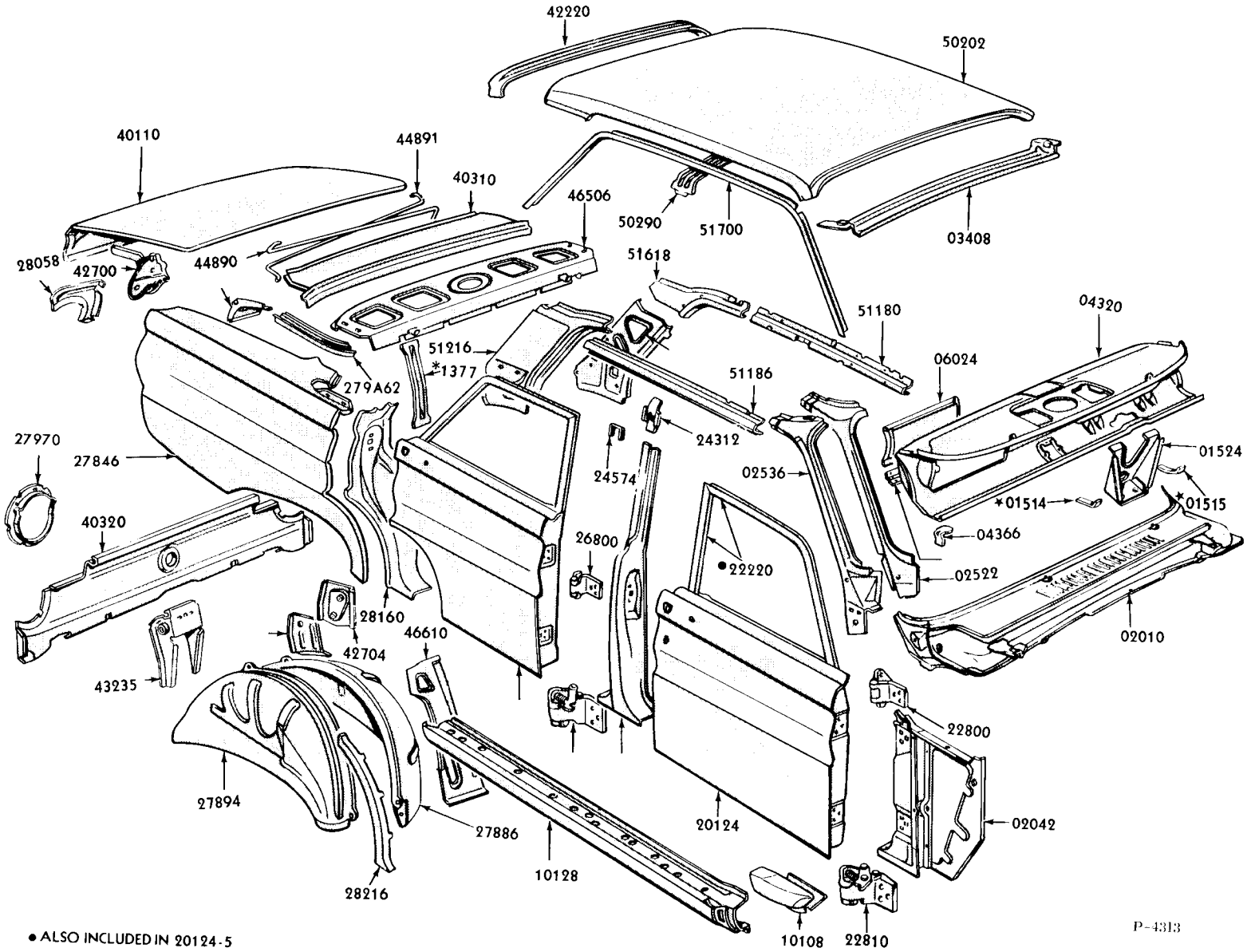


•REFER TO CHASSIS GROUP

1963/64 FALCON CONVERTIBLE COUPE-UNDERBODY - BODY TYPE X(76) - TYPICAL



P-4003



1964 FALCON FORDOR-UPPER BODY - BODY TYPE X(34)

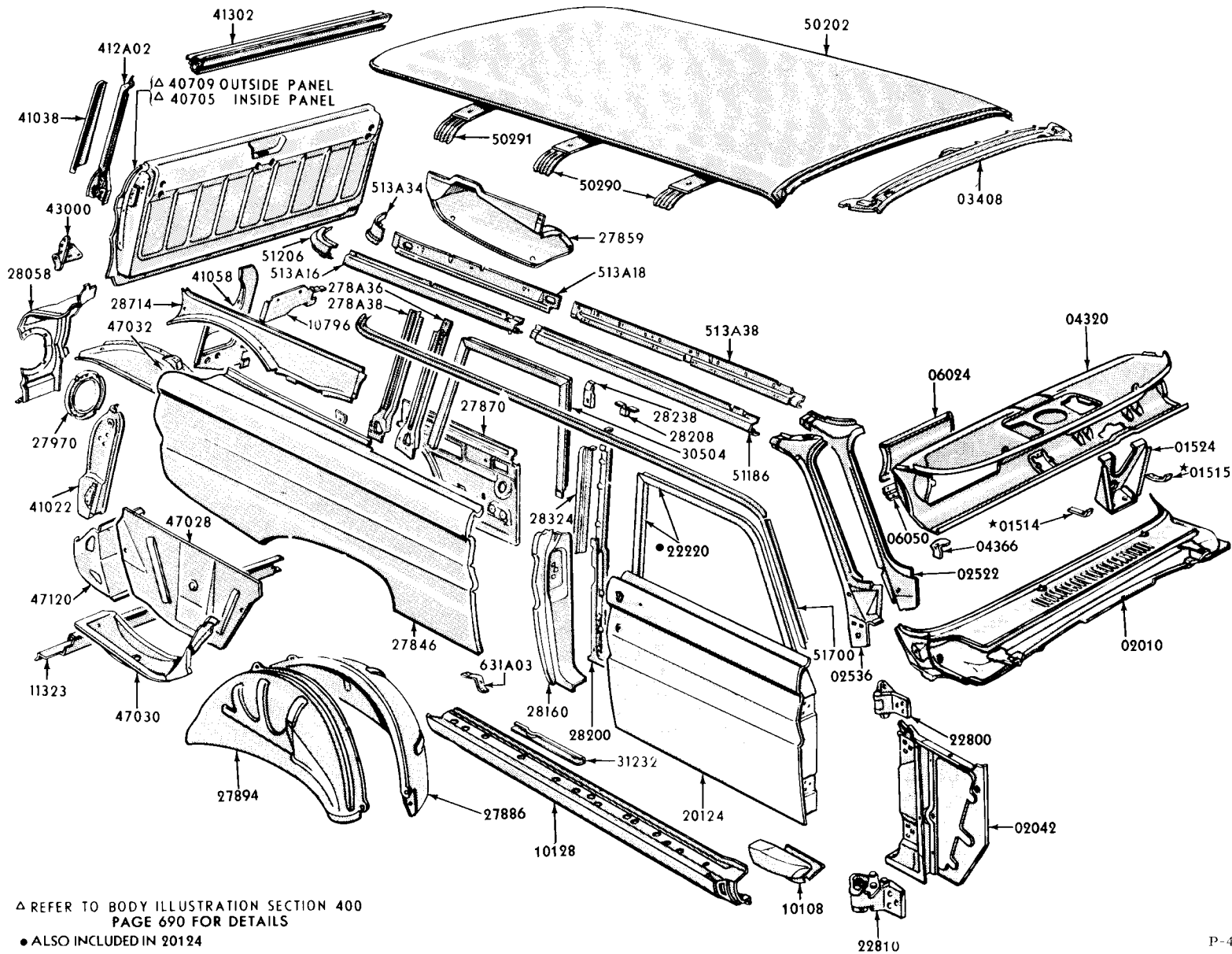
● ALSO INCLUDED IN 20124-5

* REFER TO CHASSIS GROUP NUMBER

P-4313

FORD CAR PARTS

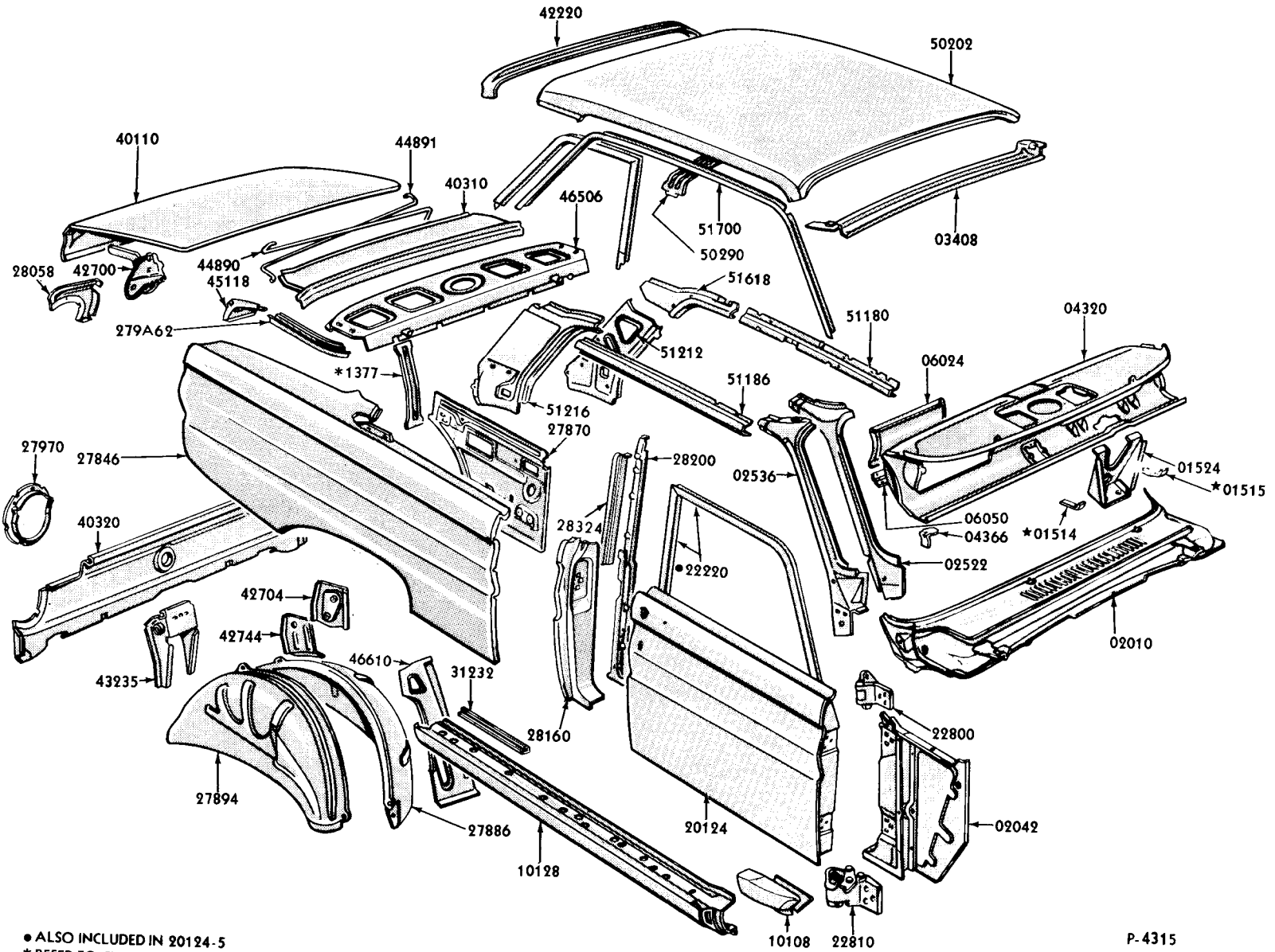
**SHEET METAL
ILLUSTRATION SECTION**



△ REFER TO BODY ILLUSTRATION SECTION 400
PAGE 690 FOR DETAILS

● ALSO INCLUDED IN 20124

1964 FALCON TUDOR STATION WAGON-UPPER BODY - BODY TYPE X(39A)

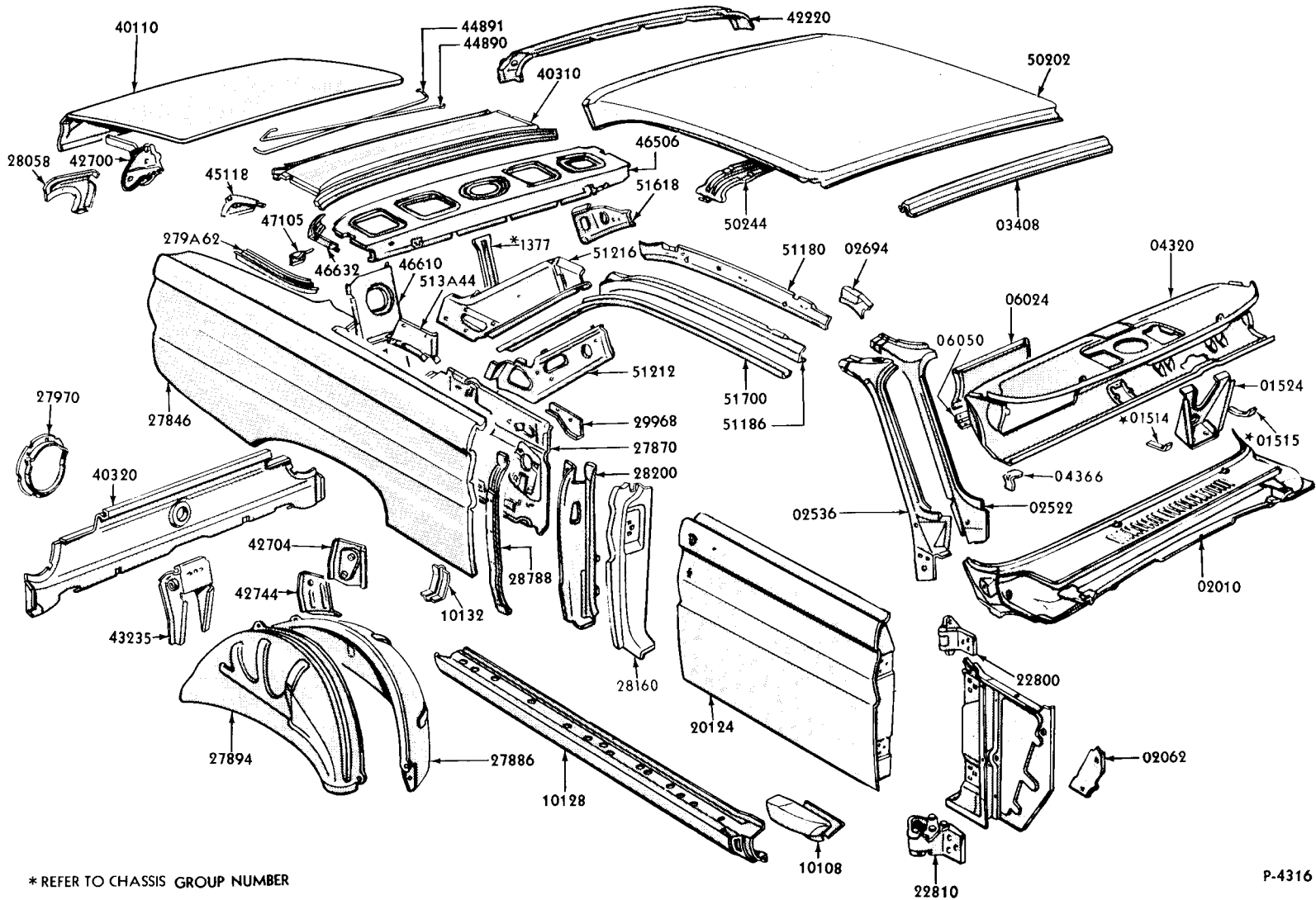


● ALSO INCLUDED IN 20124-5
 * REFER TO CHASSIS GROUP NUMBER

P-4315

1964 FALCON TUDOR-UPPER BODY - BODY TYPE X(62)

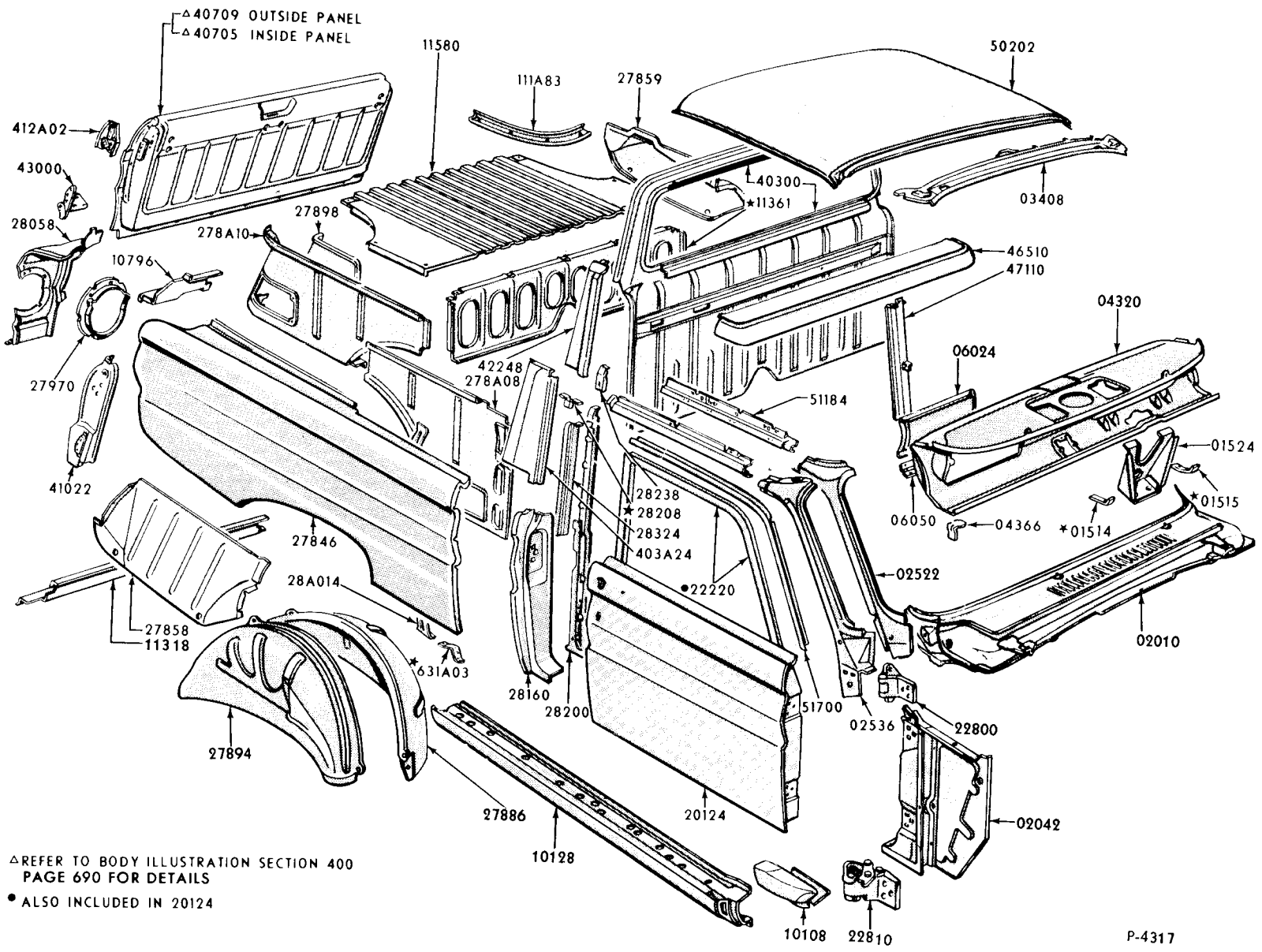
1964 FALCON "FUTURA" HARDTOP-UPPER BODY - BODY TYPE X(63)



* REFER TO CHASSIS GROUP NUMBER

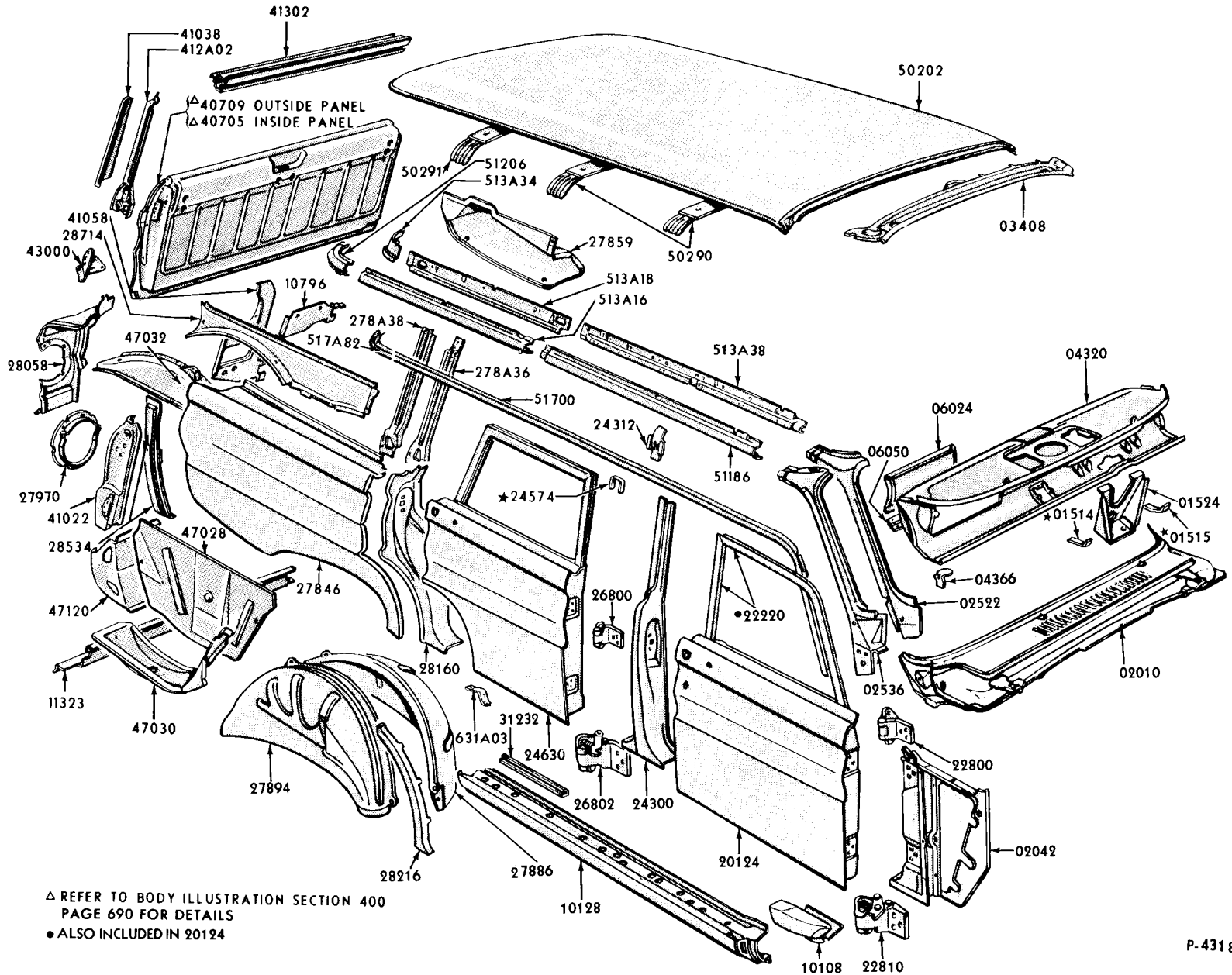
P-4316

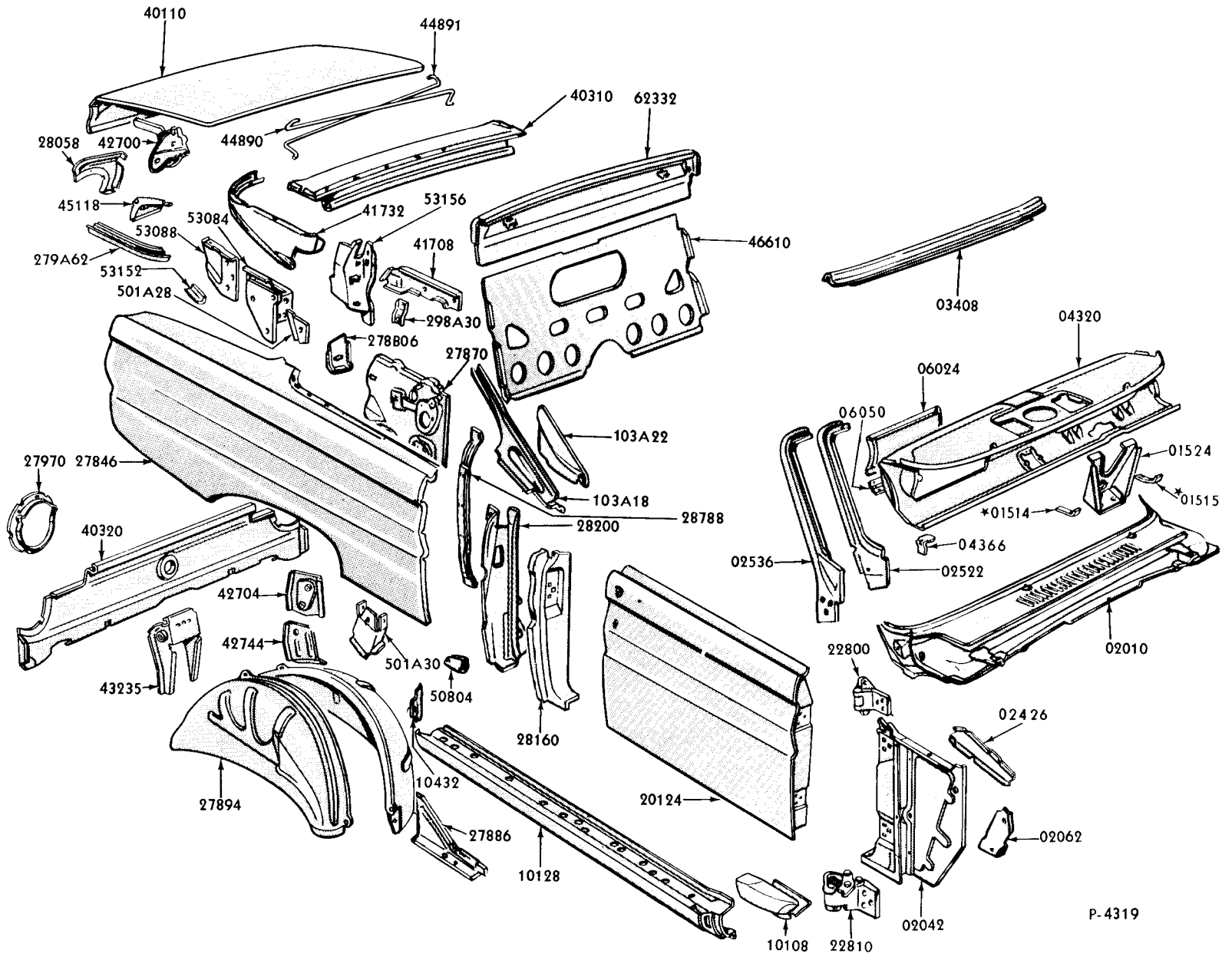
FORD CAR PARTS
SHEET METAL
ILLUSTRATION SECTION



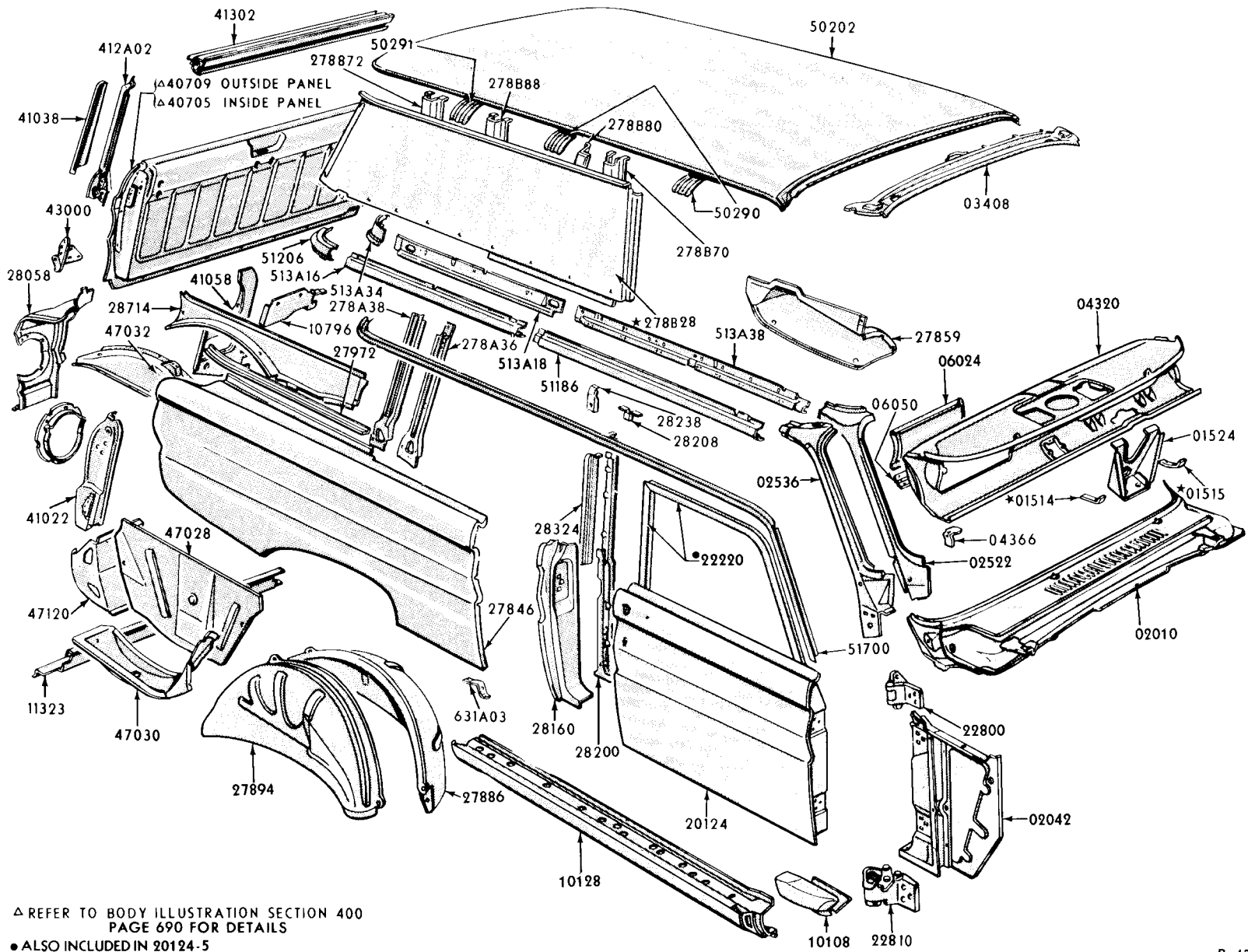
1964 / FALCON "RANCHERO"-UPPER BODY - BODY TYPE X(66)-TYPICAL

Δ REFER TO BODY ILLUSTRATION SECTION 400 PAGE 690 FOR DETAILS
 ● ALSO INCLUDED IN 20124





1964 FALCON CONVERTIBLE COUPE-UPPER BODY - BODY TYPE X(76)



△ REFER TO BODY ILLUSTRATION SECTION 400 PAGE 690 FOR DETAILS
● ALSO INCLUDED IN 20124-5

INDEX

Exterior Mouldings Illustrations are arranged by car line in the following order:

- Section A - Ford
- Section B - Fairlane
- Section S - Thunderbird
- Section X - Falcon

FORD (A)

YEAR	MODEL	PAGE	ILLUS. NO.	YEAR	MODEL	PAGE	ILLUS. NO.
60	54, 58, 75	848	P-3044	63	54A, 75	867	P-3950
60	59	849	P-3049	63	54B, 62B	868	P-3951
60	62, 64	850	P-3045	63	62A, 65	869	P-3953
60	63, 76	851	P-3046	63	63, 76	870	P-3956
60	71E, F, H	852	P-3051	63	71A, E, G, H	871	P-3964
60	71G	853	P-3052	63	71B, C	872	P-3965
61	54, 75	854	P-3321	64	54A, 62A	873	P-4264
61	58	855	P-3322	64	54B, E	874	P-4265
61	59	856	P-3324	64	57B, C	875	P-4268
61	62, 65	857	P-3325	64	62B, E	876	P-4270
61	63, 76	858	P-3326	64	63B, C	877	P-4273
61	64	859	P-3327	64	71A, E	878	P-4274
61	71E, F, H	860	P-3330	64	71B, C	879	P-4275
61	71G, J	861	P-3331	64	76	880	P-4277
62	54A, 75	862	P-3689	64	Optional body side moulding	881	P-4428
62	54B, 62B	863	P-3690				
62	62A, 65, 76	864	P-3691				
62	71A, E	865	P-3694				
62	71B, C, D	866	P-3695				

FAIRLANE (B)

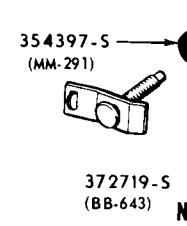
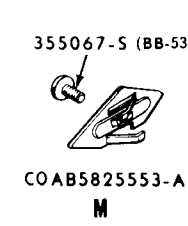
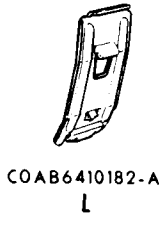
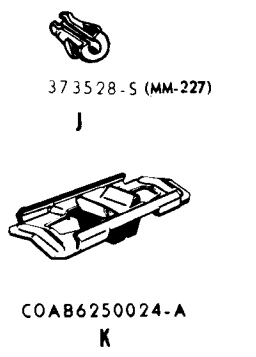
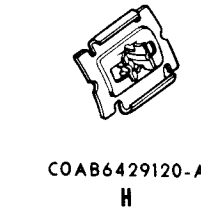
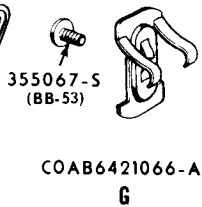
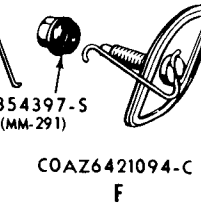
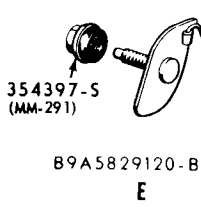
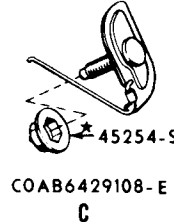
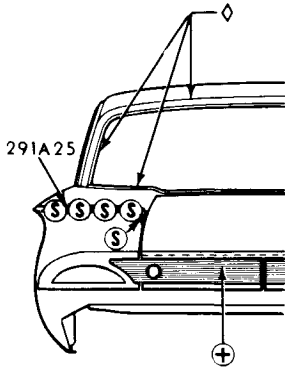
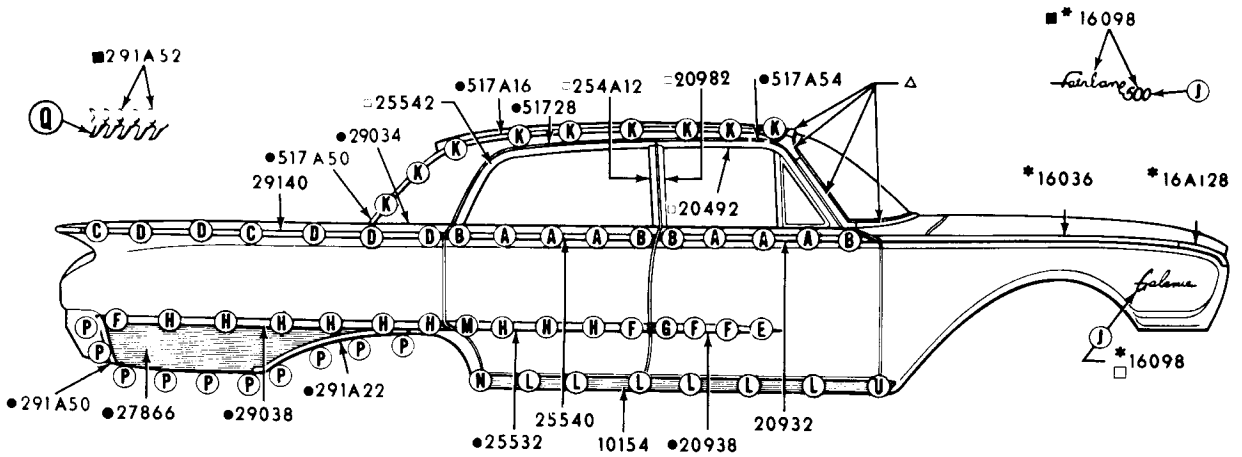
62	54	882	P-3755	64	54A, 62A	889	P-4278
62	62	883	P-3756	64	54B, 62B	890	P-4279
63	54A, 62A	884	P-3966	64	65	891	P-4282
63	54B, 62B, 65	885	P-3967	64	71B	892	P-4284
63	71B	886	P-3972	64	71D	893	P-4285
63	71D	887	P-4011				
63	71E, G	888	P-3973				

THUNDERBIRD (S)

60	All	894	P-3163	62, 63	76	897	P-3757
61	All	895	P-3320	64, 65	63	898	P-4301
62, 63	63	896	P-3987	64, 65	76	899	P-4302

FALCON (X)

60	58, 64	900	P-3054	63	54A, B	910	P-3961
60	59, 71	901	P-3198	63	59, 71A, B	911	P-3964
60, 63	66	902	P-3754	63	62A, B	912	P-4140
61	58, 64	903	P-3335	63	63, 76	913	P-3981
61	59, 71	904	P-3339	63	71C, D	914	P-3985
61, 63	78	905	P-3753	64	54A, D, 62A, D	915	P-4288
62	58, 64A	906	P-3747	64	54B, 62B	916	P-4287
62	59, 71A	907	P-3750	64	59, 71A, B	917	P-4297
62	62, 64C	908	P-3751	64	63, 76	918	P-4293
62	71B	909	P-3752	64	71C	919	P-4298
				64	54A, D, 62A, D	920	P-4296
				64	54B, 62B	921	P-4760
				64	59, 71A, B	922	P-4295
				64	63, 76		
				64	71C		
				64	66A, B		
				64	66G, H		
				64	78		



* REFER TO GROUP IN CHASSIS SECTION

△ REFER TO BODY ILLUSTRATION SECTION 030

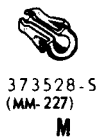
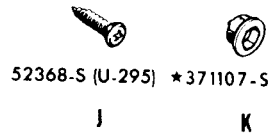
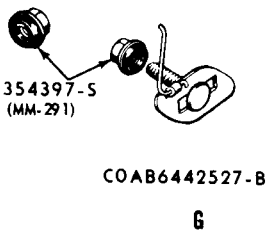
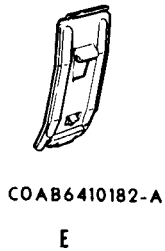
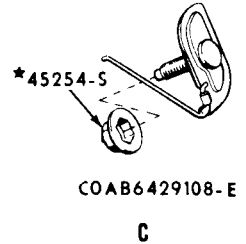
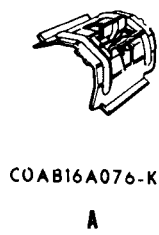
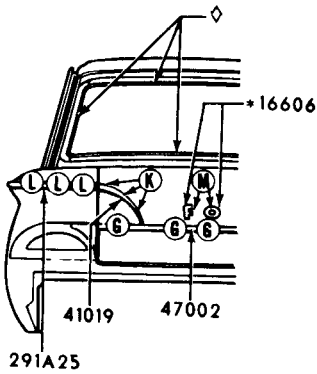
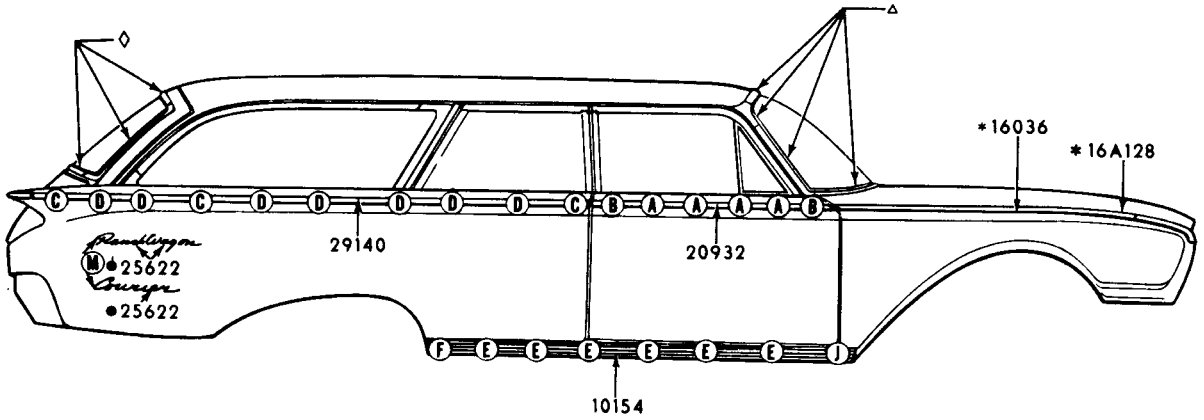
⊕ REFER TO BODY ILLUSTRATION SECTION 400

⊕ REFER TO BODY ILLUSTRATION SECTION 430

■ BODY TYPE 58A

● BODY TYPE 54 AND 75

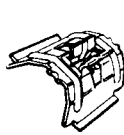
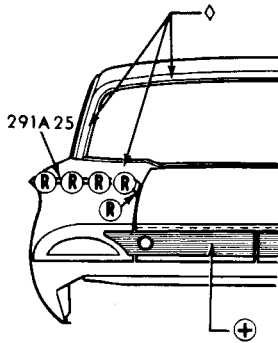
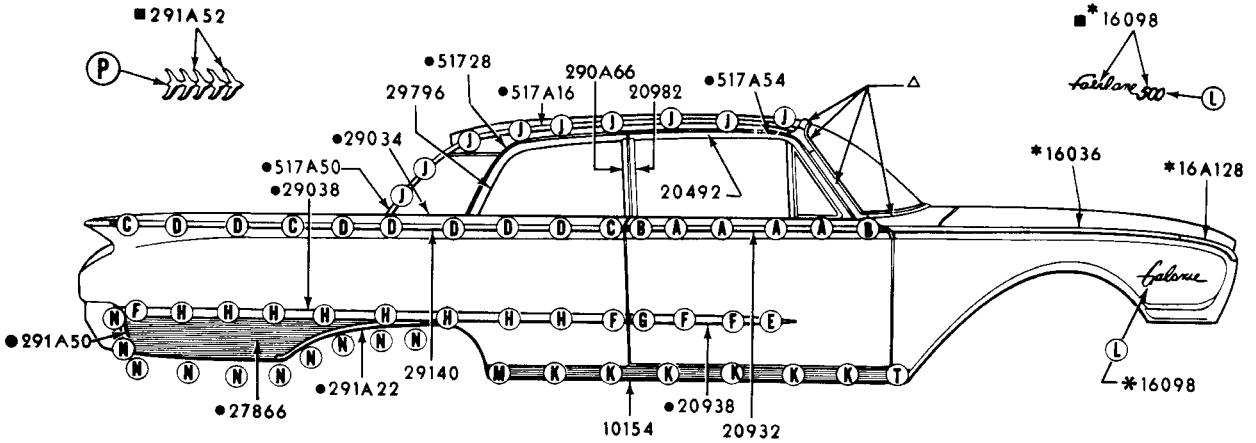
□ BODY TYPE 54 AND 58



△ REFER TO BODY ILLUSTRATION SECTION 030
 ◇ REFER TO BODY ILLUSTRATION SECTION 400
 * REFER TO GROUP IN CHASSIS SECTION
 ● BODY TYPE 59C
 ● BODY TYPE 59E

**A EXTERIOR MOULDING
ILLUSTRATION SECTION**

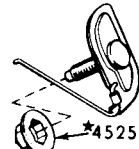
FORD CAR PARTS



COAB16A076-K
A



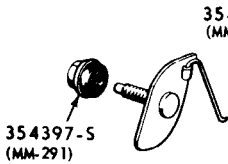
COAB6420842-C
B



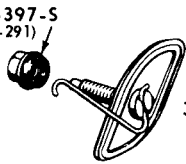
COAB6429108-E
C



COAB6429108-B
D



354397-S (MM-291)
B9A5829120-B
E



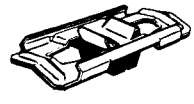
COAZ6421094-C
F



355067-S (BB-53)
COAB6421066-A
G



COAB6429120-A
H



COAB6250024-A
J



COAB6410182-A
K



373528-S (MM-227)
L



372719-S (BB-643)
M



376378-S (UU-97)
N



373503-S (MM-285-A)
P



*45254-S
R



52368-S (U-295)
T

* REFER TO GROUP IN CHASSIS SECTION

△ REFER TO BODY ILLUSTRATION SECTION 030

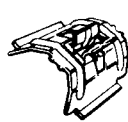
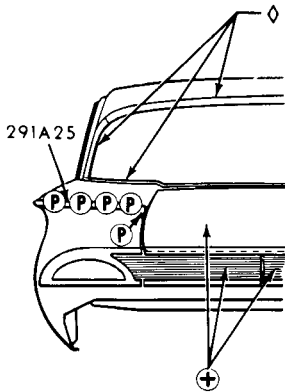
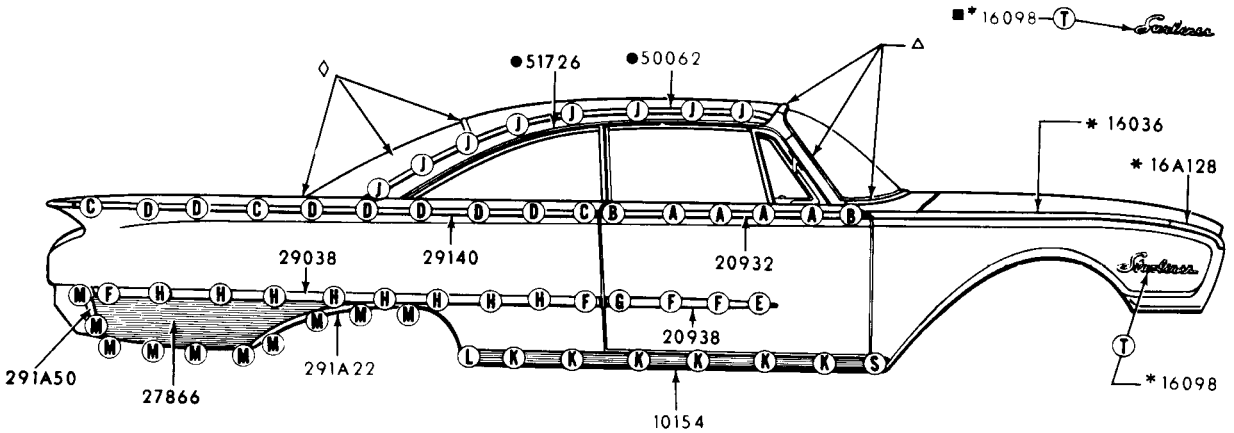
◇ REFER TO BODY ILLUSTRATION SECTION 400

⊕ REFER TO BODY ILLUSTRATION SECTION 430

● BODY TYPE 62A

■ BODY TYPE 64A

P-3045



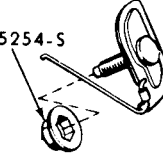
COAB16A076-K

A



COAB6420842-C

B



COAB6429108-E

C



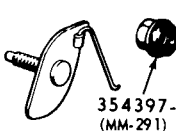
COAB6429108-B

D



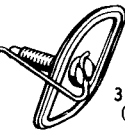
B9A5829120-B

E



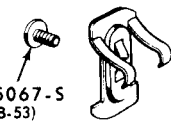
COAZ6421094.C

F



COAB6421066-A

G



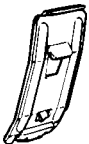
COAB6429120-A

H



COAB6350024-B

I



COAB6410182-A

K



372719-S (BB-643)

L



376378-S (UU-97)

M



*45254-S

N



52368-S(U-295)

O

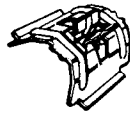
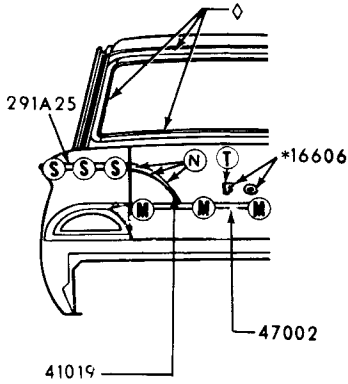
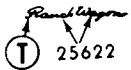
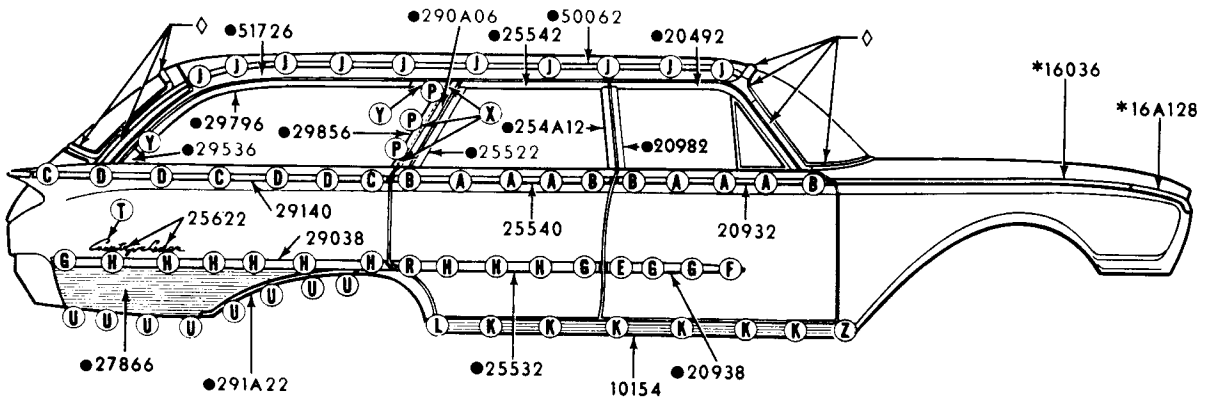


373528-S (MM-227)

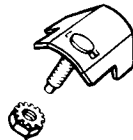
P

* REFER TO GROUP IN CHASSIS SECTION
 Δ REFER TO BODY ILLUSTRATION SECTION 030
 ◇ REFER TO BODY ILLUSTRATION SECTION 400 OR 500
 † REFER TO BODY ILLUSTRATION SECTION 430

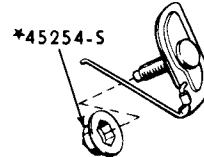
● BODY TYPE 63A
 ■ BODY TYPE 76B



COAB16A076-K
A



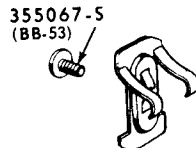
COAB6420842-C
B



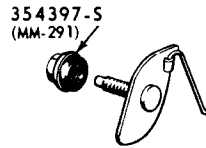
COAB6429108-E
C



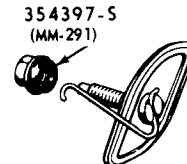
COAB6429108-B
D



COAB6421066-A
E



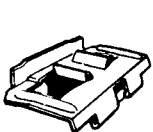
B9A5829120-B
F



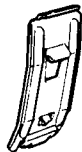
COAZ6421094-C
G



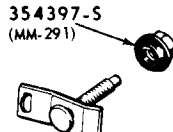
COAB6429120-A
H



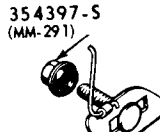
COAB6350024-B
I



COAB6410182-A
K



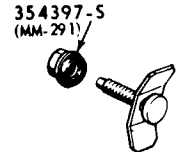
372719-S
(BB-643) **L**



COAB6442527-B
M



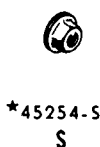
USE 373504-S
(MM-285-B) **N**



*COMB6328507-A
P



COAB5825553-A
R



*45254-S
S



373528-S
(MM-227) **T**



376378-S
(UU-97) **U**



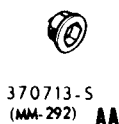
52720-S
(U-380) **X**



52005-S
(U-196) **Y**

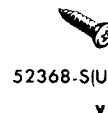
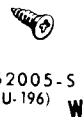
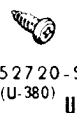
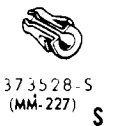
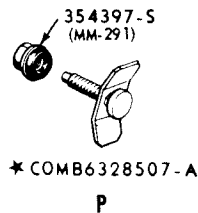
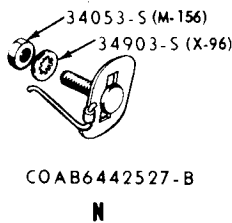
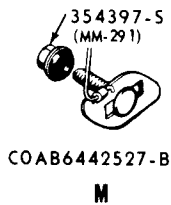
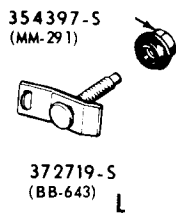
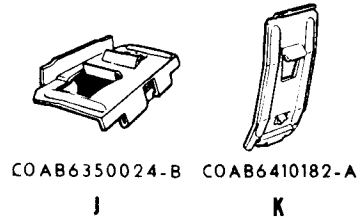
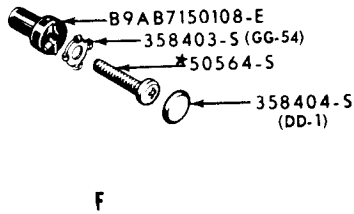
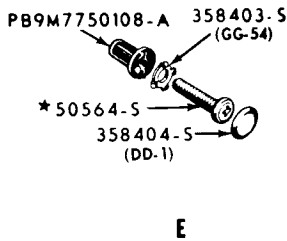
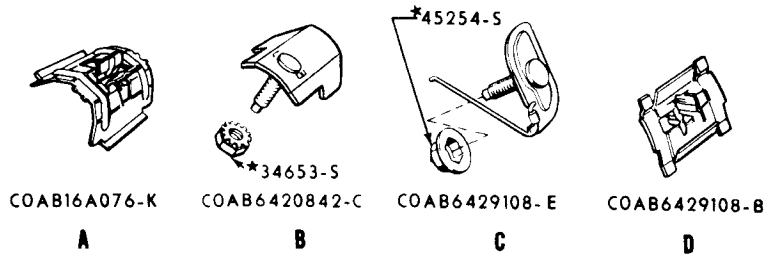
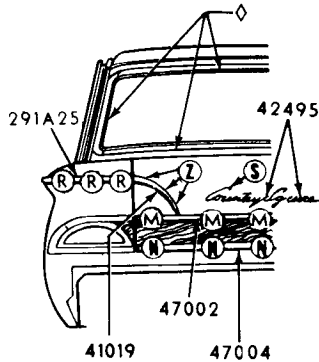
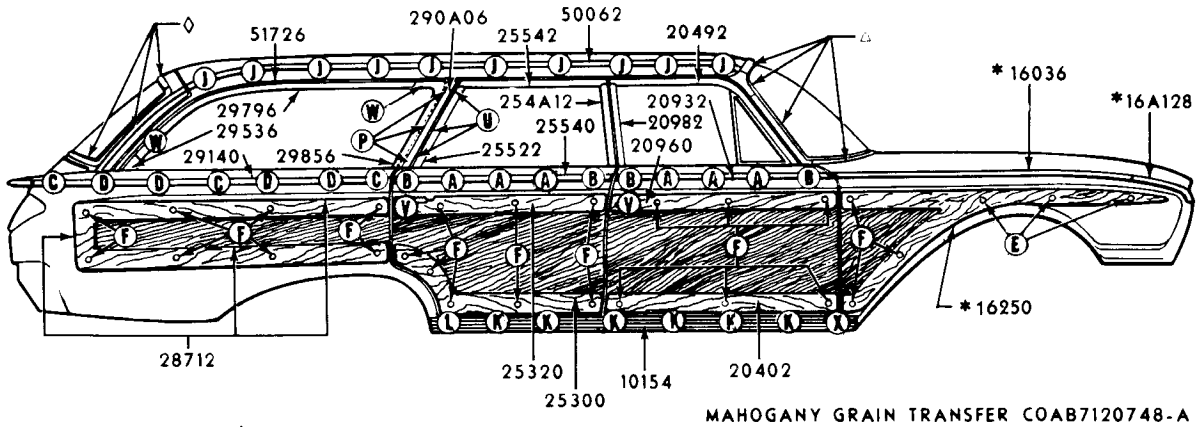


52368-S(U-295)
Z



370713-S
(MM-292) **AA**

△ REFER TO BODY ILLUSTRATION SECTION 030
◇ REFER TO BODY ILLUSTRATION SECTION 400
* REFER TO GROUP IN CHASSIS SECTION
● BODY TYPE 71E, F

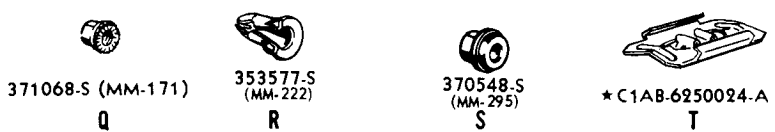
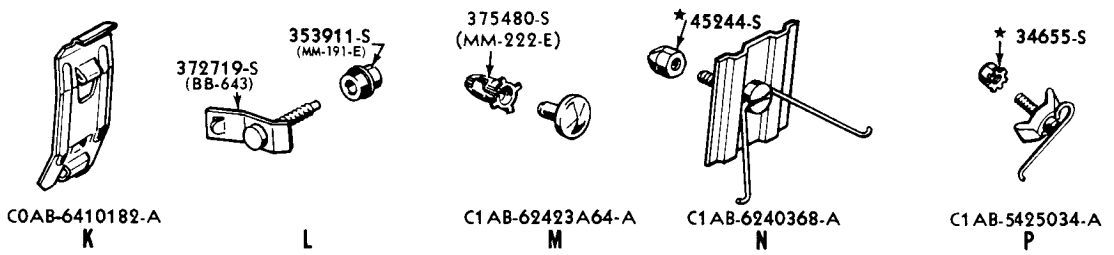
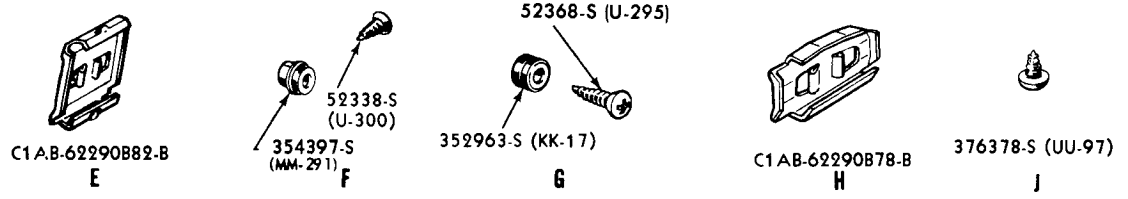
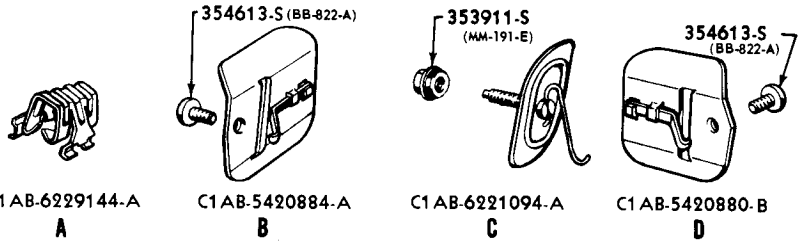
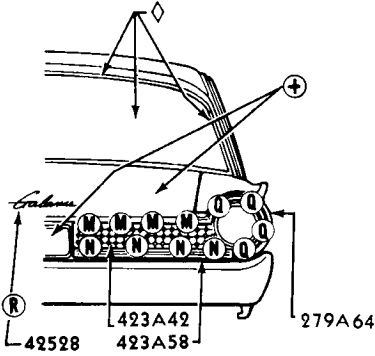
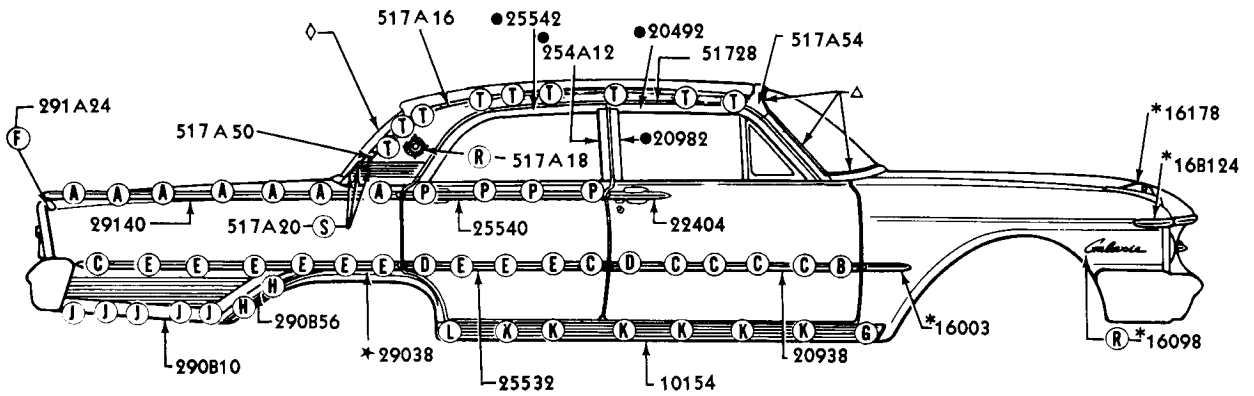


* REFER TO GROUP IN CHASSIS SECTION

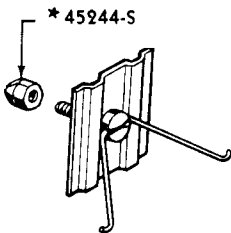
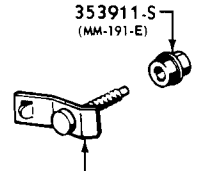
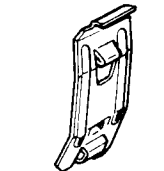
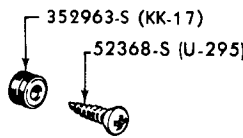
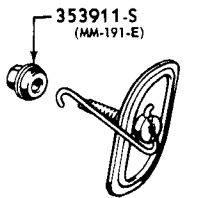
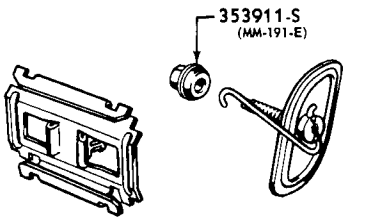
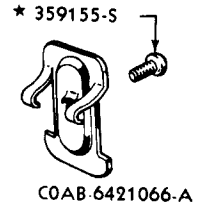
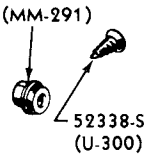
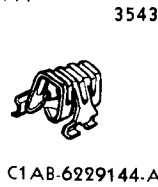
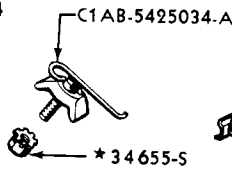
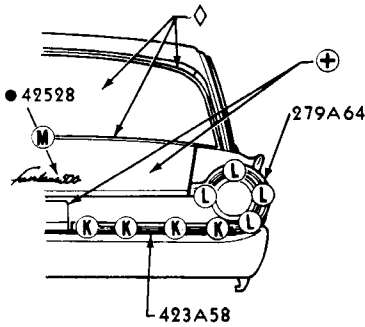
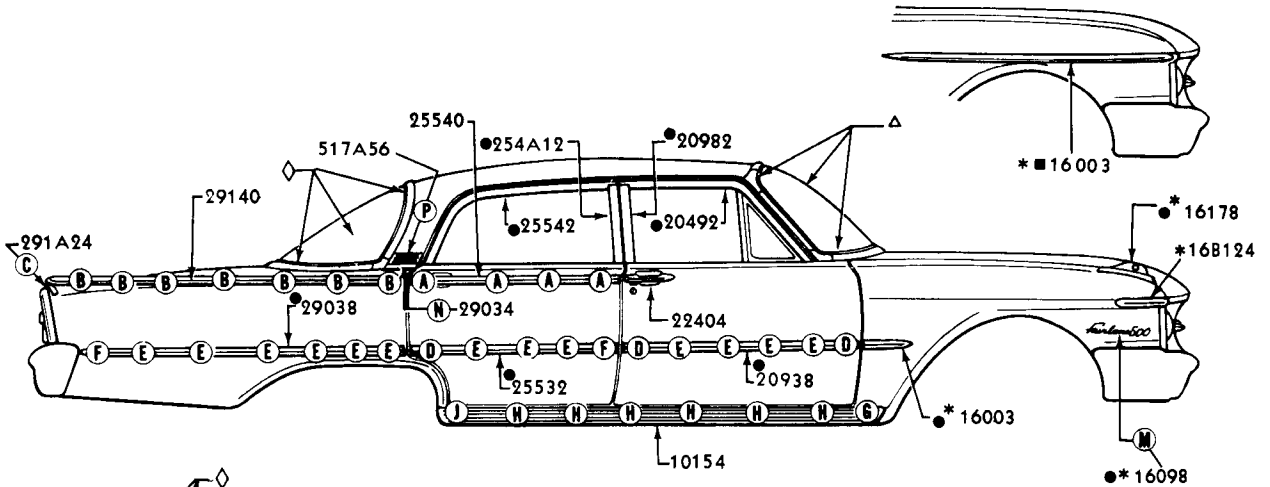
△ REFER TO BODY ILLUSTRATION SECTION 030

◇ REFER TO BODY ILLUSTRATION SECTION 400

P-3052

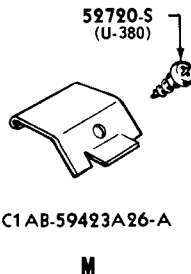
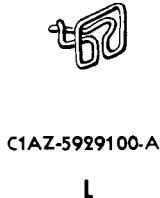
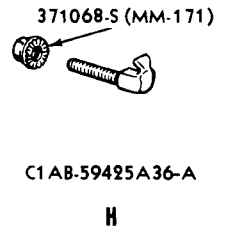
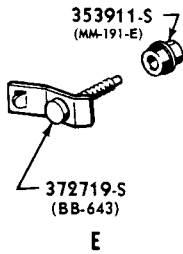
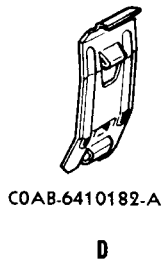
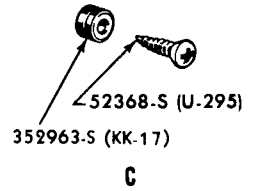
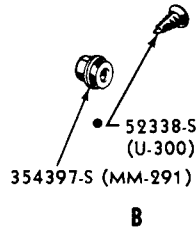
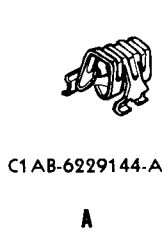
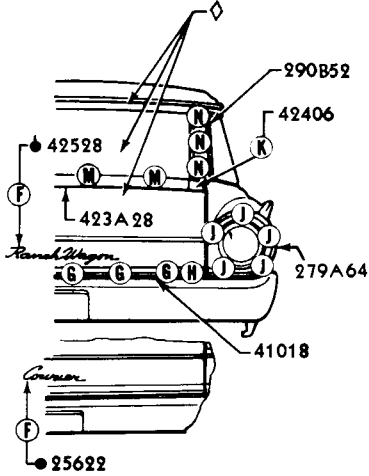
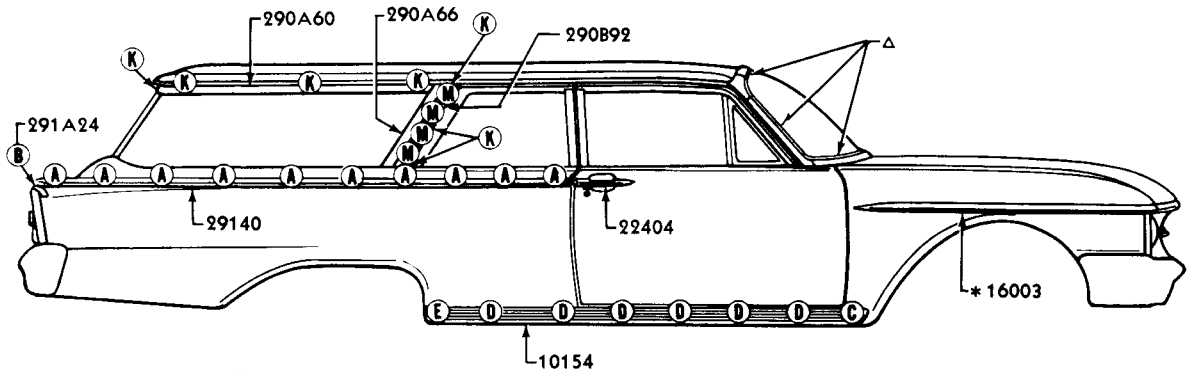


◇ REFER TO BODY ILLUSTRATION SECTION 400
 ⊕ REFER TO BODY ILLUSTRATION SECTION 430
 * REFER TO GROUP IN CHASSIS SECTION
 △ REFER TO BODY ILLUSTRATION SECTION 030
 ● BODY TYPE 54



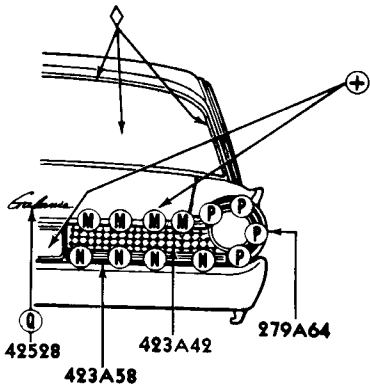
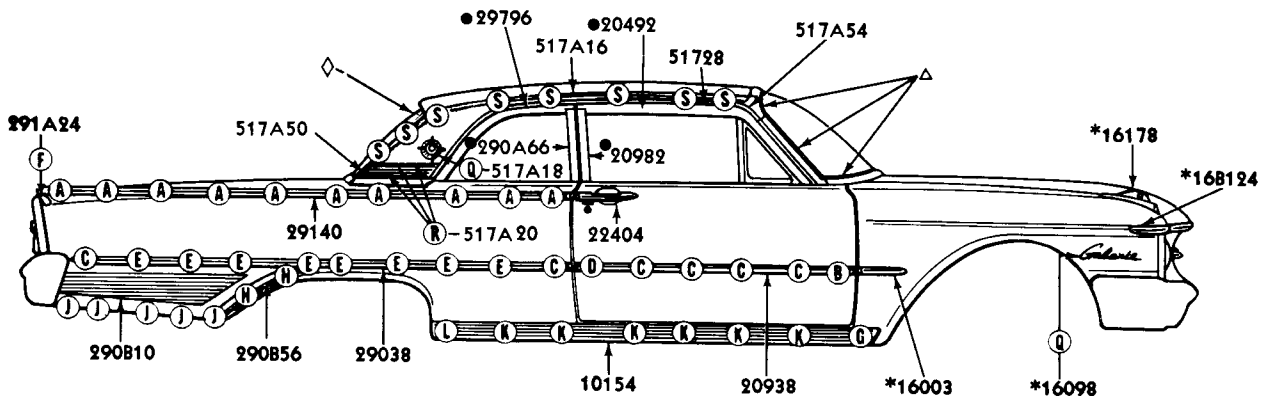
* REFER TO GROUP IN CHASSIS SECTION
 △ REFER TO BODY ILLUSTRATION SECTION 030
 ■ BODY TYPE 58E, F

◇ REFER TO BODY ILLUSTRATION SECTION 400
 ⊕ REFER TO BODY ILLUSTRATION SECTION 430
 ● BODY TYPE 58A

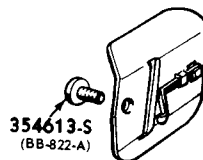


* REFER TO GROUP IN CHASSIS SECTION
 △ REFER TO BODY ILLUSTRATION SECTION 030
 ● BODY TYPE 59C

● BODY TYPE 59E
 ◇ REFER TO BODY ILLUSTRATION SECTION 400



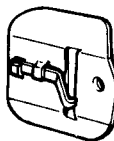
C1AB-6229144-A
A



C1AB-5420884-A
B



C1AB-6221094-A
C



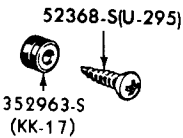
C1AB-5420880-B
D



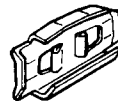
C1AB-62290882-B
E



F



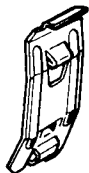
G



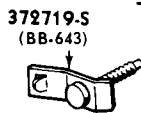
C1AB-62290878-B
H



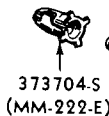
376378-S (UU-97)
J



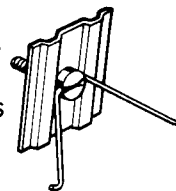
COAB-6410182-A
K



L



C1AB-62423A64-A
M



C1AB-6240368-A
N



371068-S (MM-171)
P



353577-S (MM-222)
Q



370548-S (MM-295)
R

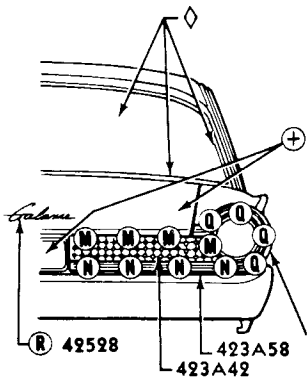
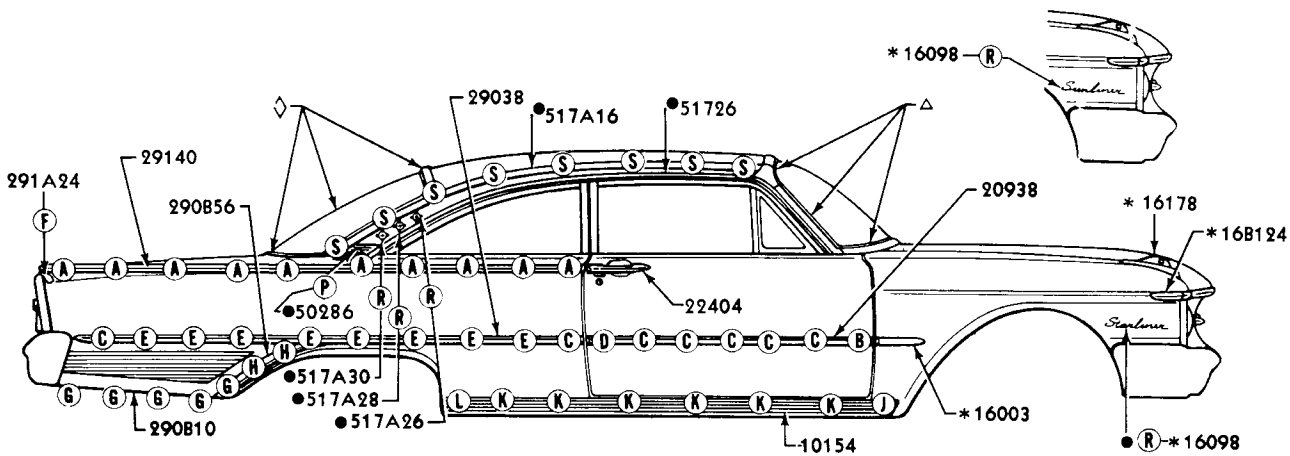


COAB-6 2500 24 -A
S

* REFER TO GROUP IN CHASSIS SECTION
△ REFER TO BODY ILLUSTRATION SECTION 030

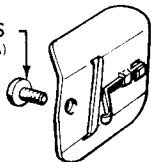
◇ REFER TO BODY ILLUSTRATION SECTION 400
⊕ REFER TO BODY ILLUSTRATION SECTION 430

● BODY TYPE 62



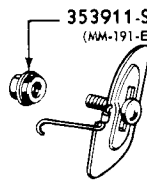
C1AB-6229144-A

A



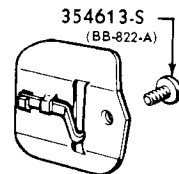
C1AB-5420884-A

B



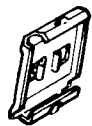
C1AB-6221094-A

C



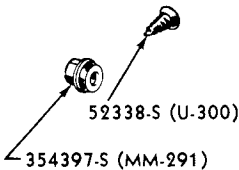
C1AB-5420880-B

D



C1AB-62290882-B

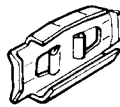
E



F

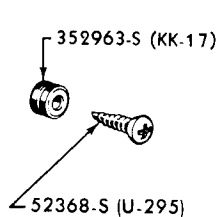


G

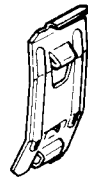


C1AB-62290878-B

H

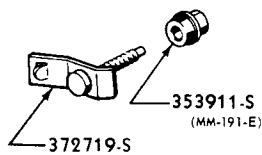


J

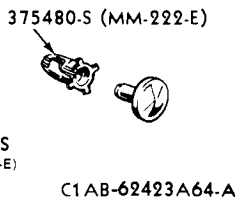


COAB-6410182-A

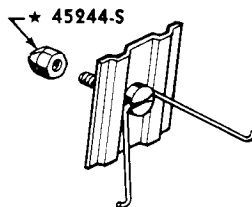
K



L



M



C1AB-6240368-A

N



373503-S (MM-285-A)

P



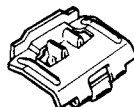
371068-S (MM-171)

Q



353577-S (MM-222)

R



COAB-6350024-B

S

* REFER TO GROUP IN CHASSIS SECTION

△ REFER TO BODY ILLUSTRATION SECTION 030

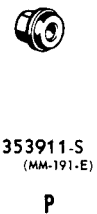
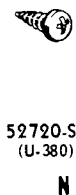
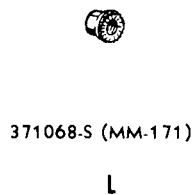
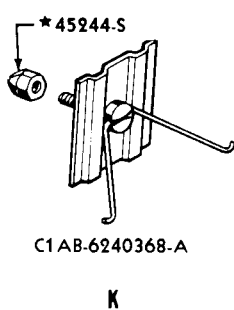
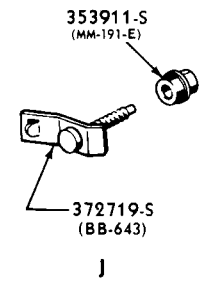
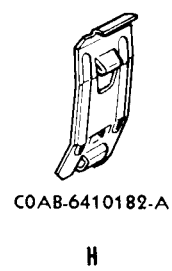
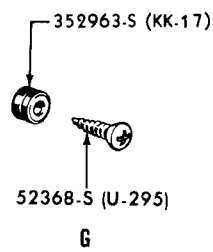
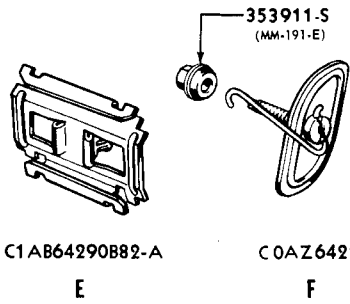
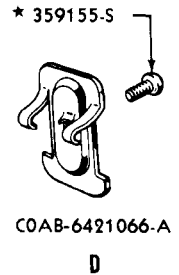
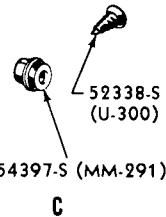
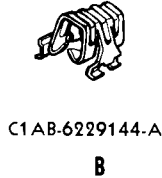
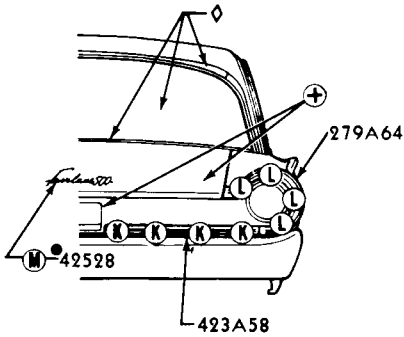
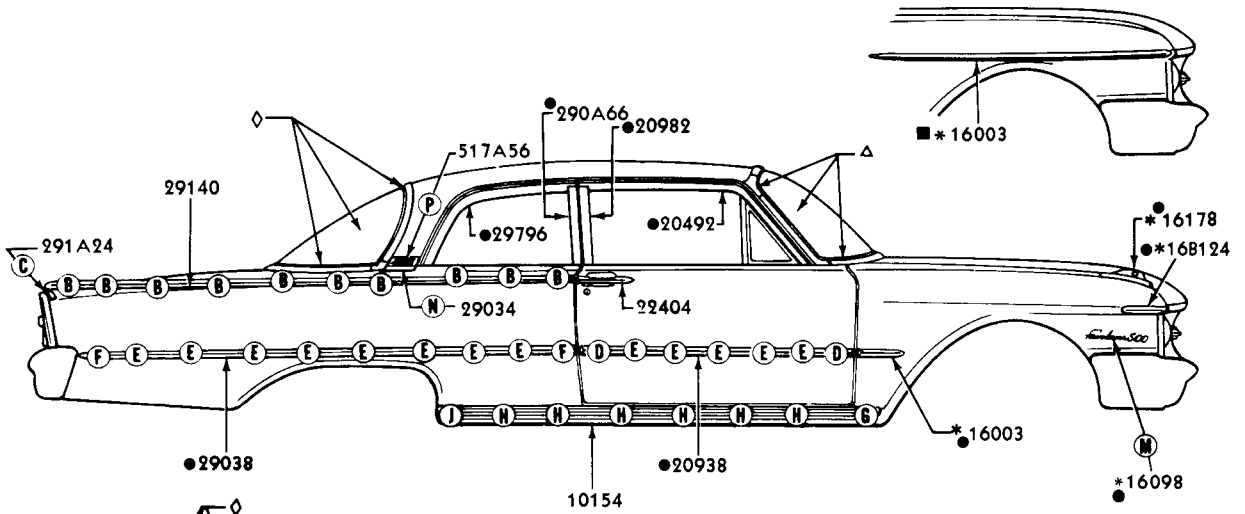
◇ REFER TO BODY ILLUSTRATION SECTION 400

⊕ REFER TO BODY ILLUSTRATION SECTION 430

● BODY TYPE 63

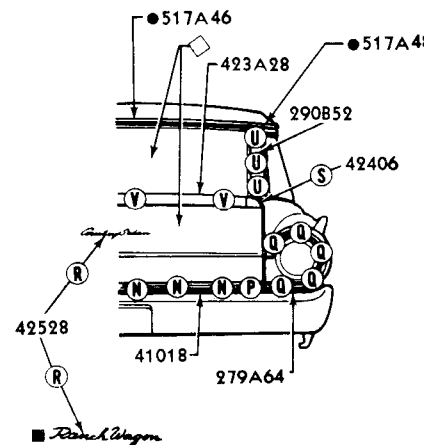
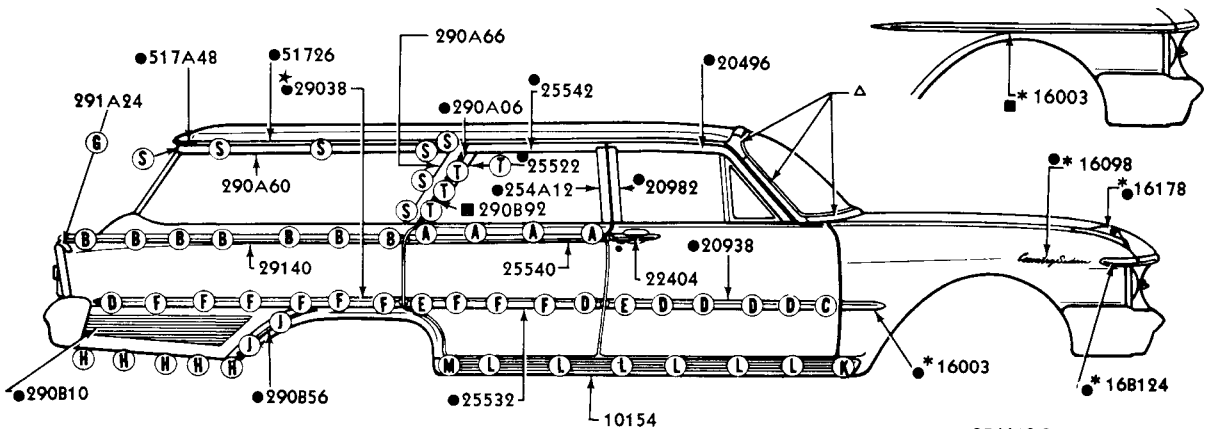
■ BODY TYPE 76

P-3326



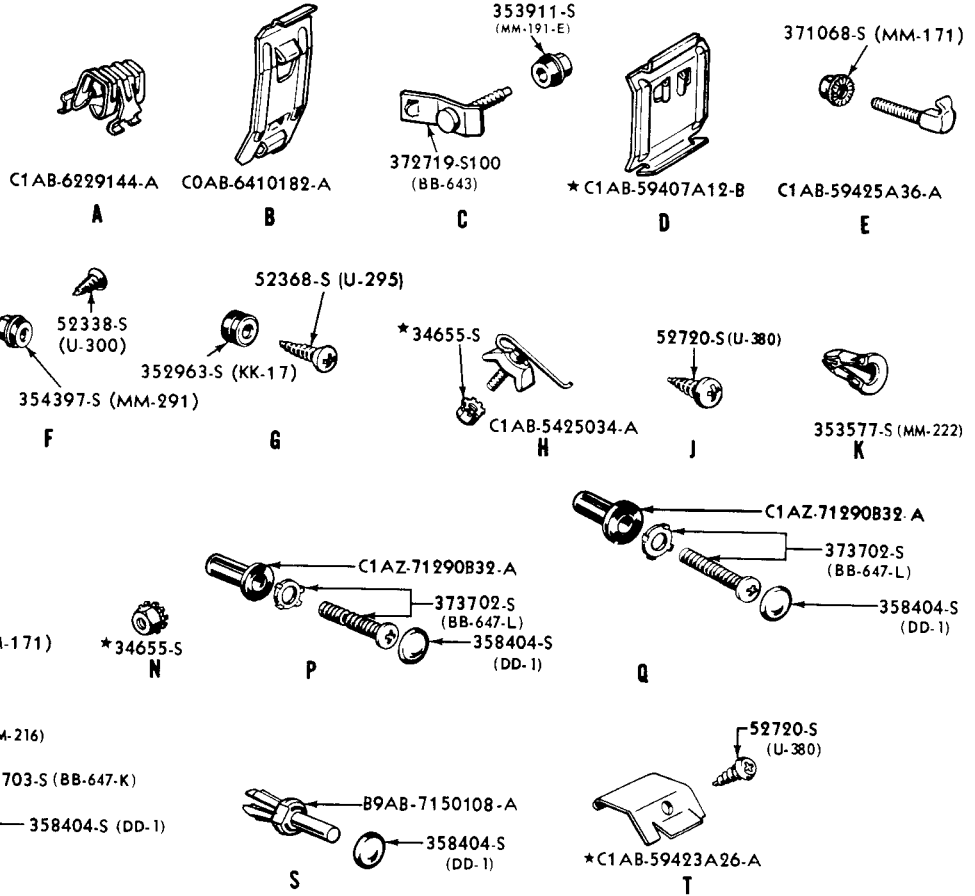
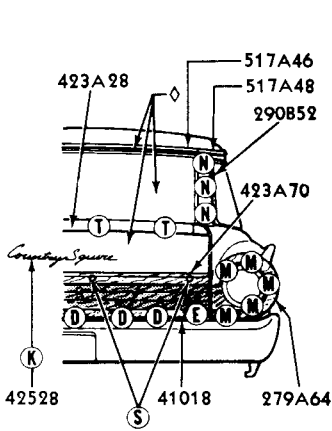
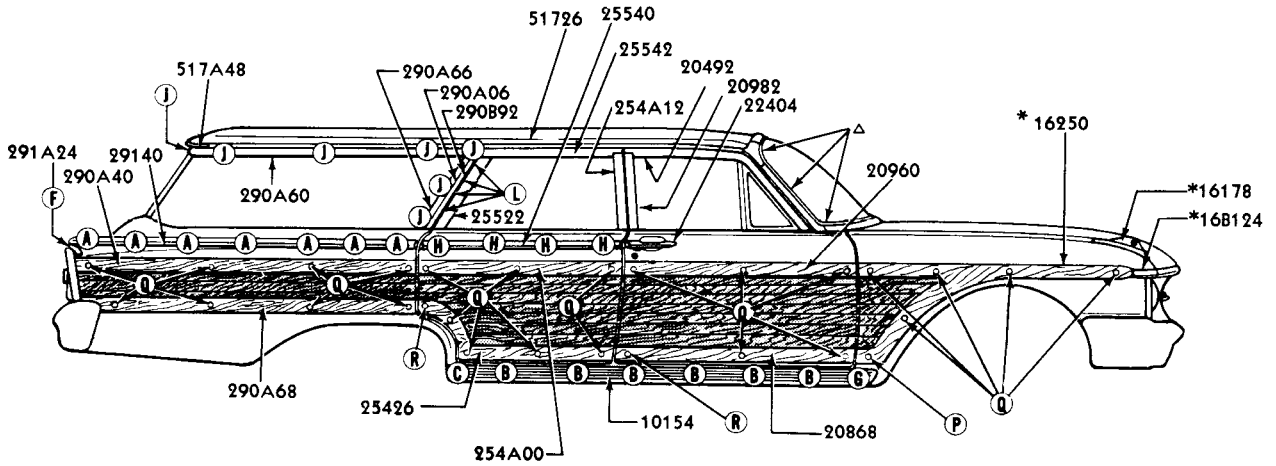
* REFER TO GROUP IN CHASSIS SECTION
 Δ REFER TO BODY ILLUSTRATION SECTION 030
 ■ BODY TYPE 64F, H

◇ REFER TO BODY ILLUSTRATION SECTION 400
 ⊕ REFER TO BODY ILLUSTRATION SECTION 430
 ● BODY TYPE 64A



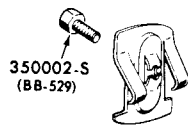
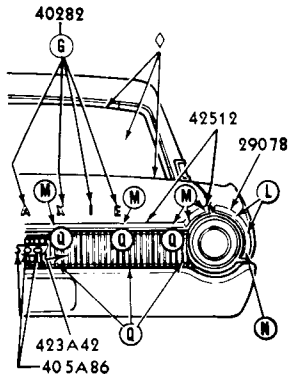
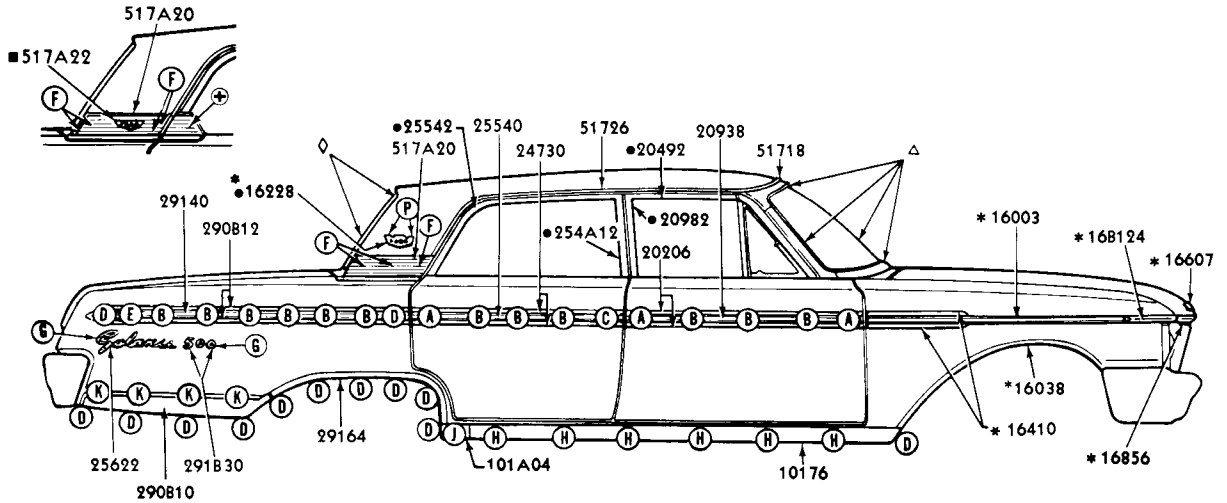
- * 34655-S C1AB-5425034-A **A**
- C1AB-6229144-A **B**
- 354613-S (BB-822-A) C1AB-5420884-A **C**
- 353911-S (MM-191-E) C1AB-6221094-A **D**
- 354613-S (BB-822-A) C1AB-5420880-B **E**
- C1AB-62290882-B **F**
- 52338-S (U-300) **G**
- 376378-S (UU-97) **H**
- C1AB-62290878-B **J**
- * 357165-S 352963-S (KK-17) **K**
- COAB-6410182-A **L**
- 353911-S (MM-191-E) 372719-S (BB-643) **M**
- *C1AB-59407A12-B **N**
- 371068-S (MM-171) C1AB-59425A36-A **P**
- 371068-S (MM-171) **Q**
- 353577-S (MM-222) **R**
- 52720-S (U-380) **S**
- C1AZ-5929100-A **T**
- * 34655-S **U**
- * C1AB59423A26-A **V**
- 52720-S (U-380) **V**

◇ REFER TO BODY ILLUSTRATION SECTION 400
 * REFER TO GROUP IN CHASSIS SECTION
 △ REFER TO BODY ILLUSTRATION SECTION 030
 ● BODY TYPE 71E, F
 ■ BODY TYPE 71H



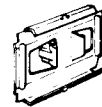
* REFER TO GROUP IN CHASSIS SECTION
 Δ REFER TO BODY ILLUSTRATION SECTION 030
 ◇ REFER TO BODY ILLUSTRATION SECTION 400

MAHOGANY GRAIN TRANSFER (BODY SIDE) C1AB-7120748-A
 MAHOGANY GRAIN TRANSFER (TAIL GATE) C1AB-7120748-B

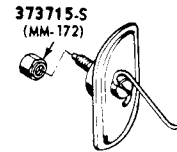


350002-S
(BB-529)

C2AZ-6221066-A
A



C2AZ-6229120-A
B

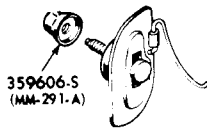


373715-S
(MM-172)

COAZ-6421094-C
C



376378-S (UU-97)
D



359606-S
(MM-291-A)

C2AZ-6229108-A
E



375526-S
(MM-295-H)
F



375890-S
(MM-222-A)
G



C2AZ-5410182-A
H

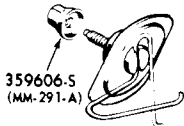


* 356479-S

353911-S
(MM-191-E)
J

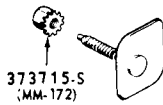


52413-S (U-316)
K



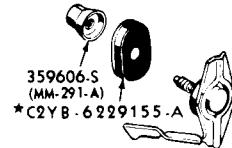
359606-S
(MM-291-A)

C2AZ-6229185-A
L



373715-S
(MM-172)

C2AZ-6242527-A
M



359606-S
(MM-291-A)

* C2YB-6229155-A

C2AZ-6242527-B
N



375480-S
(MM-222-E)
P



376378-S
(UU-97)
Q

*REFER TO GROUP IN CHASSIS SECTION

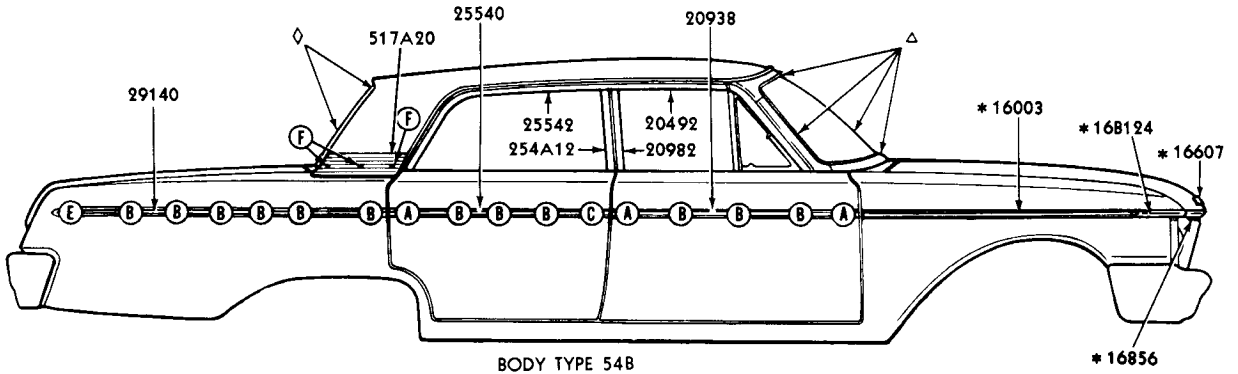
△ REFER TO BODY ILLUSTRATION SECTION 030

● BODY TYPE 54A

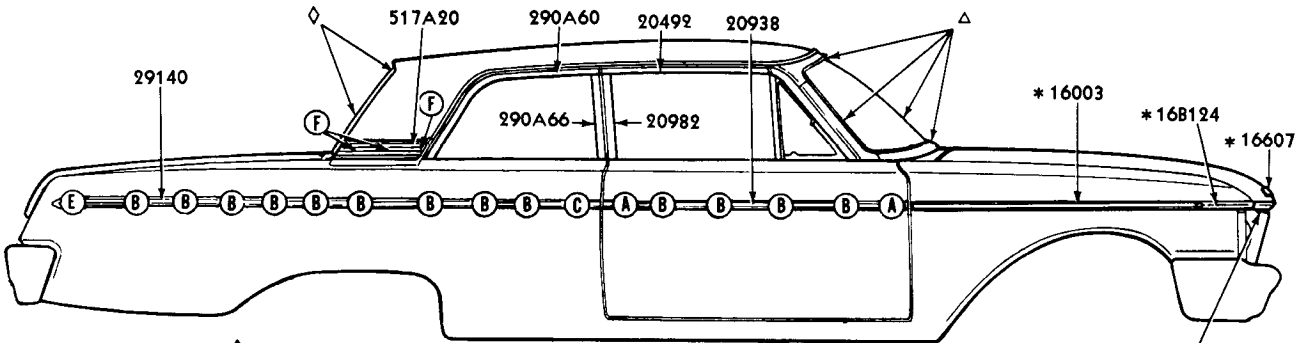
■ BODY TYPE 75

◇ REFER TO BODY ILLUSTRATION SECTION 400

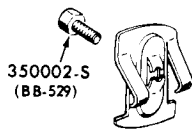
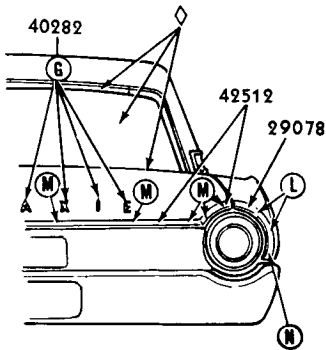
⊙ REFER TO BODY ILLUSTRATION SECTION 240



BODY TYPE 54B



BODY TYPE 62B

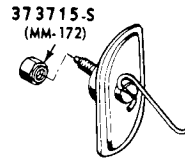


350002-S
(BB-529)

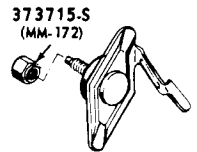
C2AZ-6221066-A
A



C2AZ-6229120-A
B



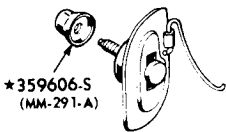
373715-S
(MM-172)



373715-S
(MM-172)

ALTERNATES

COAZ-6241094-C
C



*359606-S
(MM-291-A)

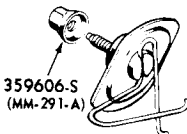
C2AZ-6229108-A
E



375526-S
(MM-295-H)
F

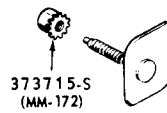


375890-S
(MM-222-A)
G

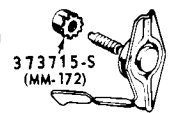


359606-S
(MM-291-A)

C2AZ-6229185-A
L



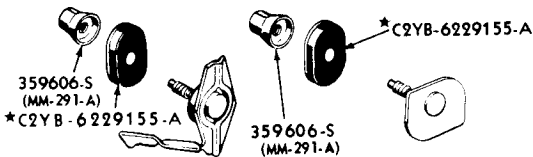
373715-S
(MM-172)



373715-S
(MM-172)

ALTERNATES

C2AZ-6242527-A
M



359606-S
(MM-291-A)

*C2YB-6229155-A



359606-S
(MM-291-A)

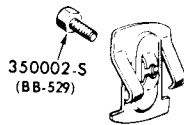
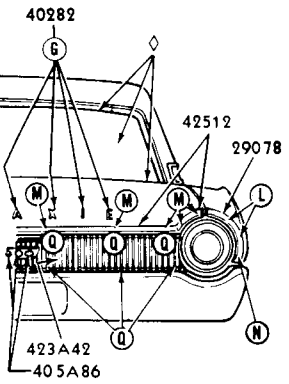
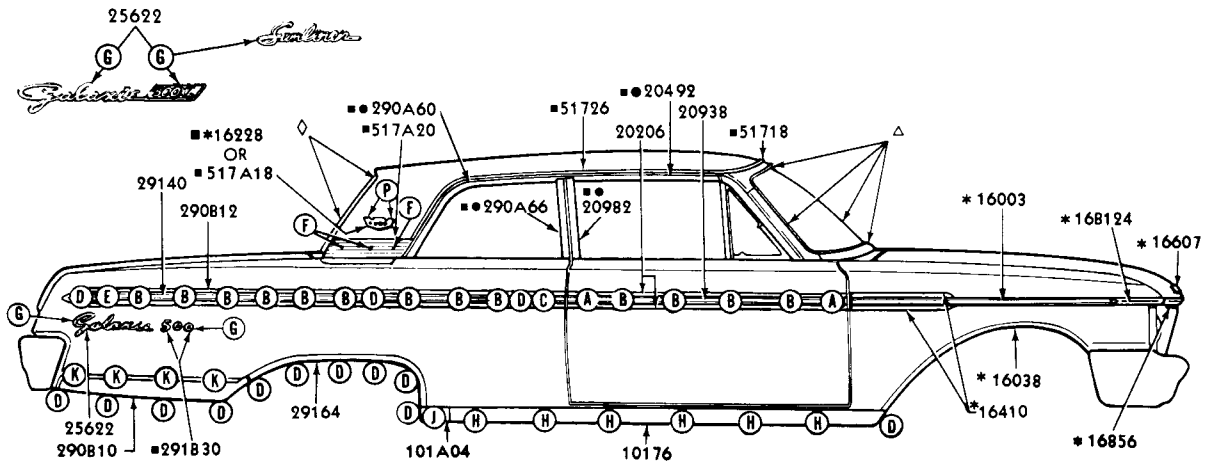


*C2YB-6229155-A

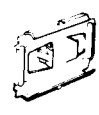
ALTERNATES

C2AZ-6242527-B
N

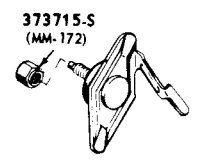
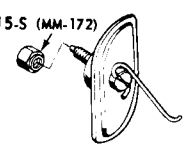
*REFER TO GROUP IN CHASSIS SECTION
△ REFER TO BODY ILLUSTRATION SECTION 030
◇ REFER TO BODY ILLUSTRATION SECTION 400



C2AZ-6221066-A
A



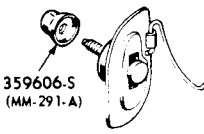
C2AZ-6229120-A
B



ALTERNATES
 COAZ-6421094-C
C



376378-S (UU-97)
D



C2AZ-6229108-A
E



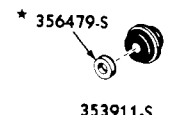
375526-S (MM-295-H)
F



375890-S (MM-222-A)
G



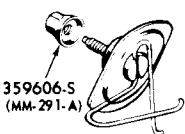
C2AZ-5410182-A
H



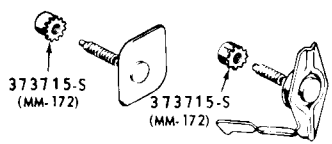
353911-S (MM-191-E)
J



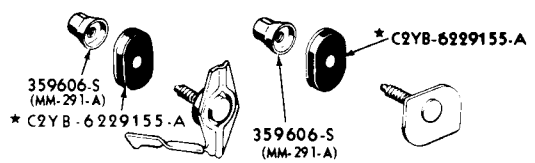
52413-S (U-316)
K



C2AZ-6229185-A
L



ALTERNATES
 C2AZ-6242527-A
M



ALTERNATES
 C2AZ-6242527-B
N

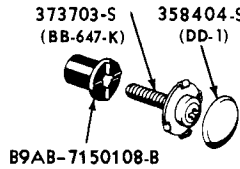
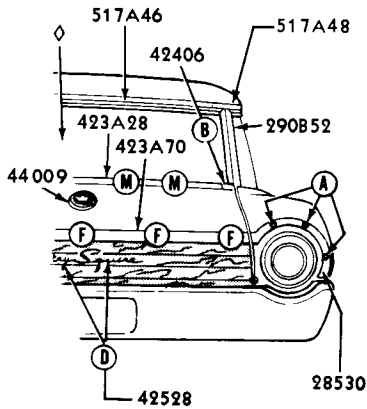
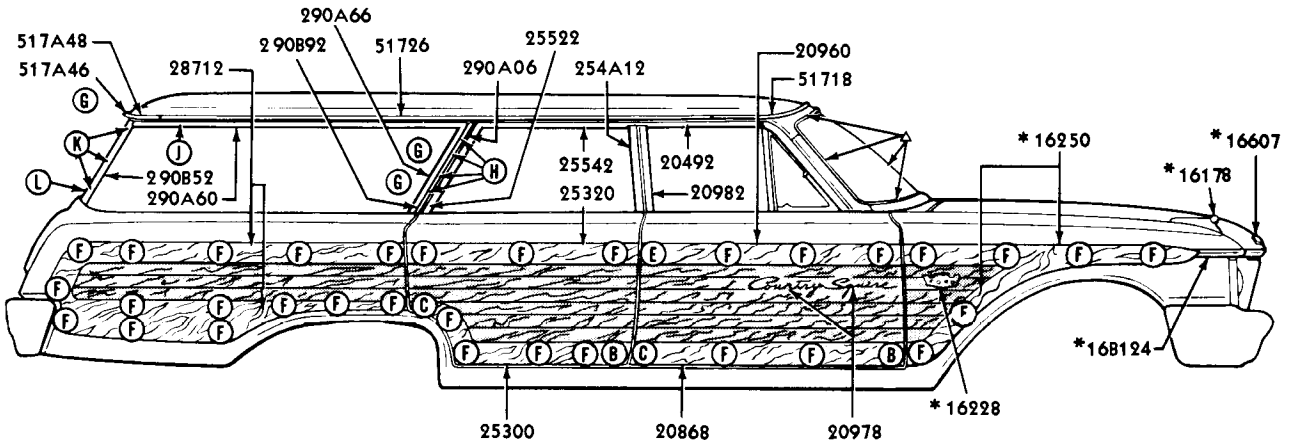


375480-S (MM-222-E)
P



376378-S (UU-97)
Q

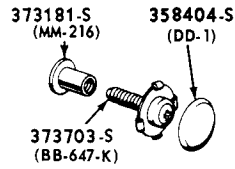
*REFER TO GROUP IN CHASSIS SECTION
 △ REFER TO BODY ILLUSTRATION SECTION 030
 ■ BODY TYPE 62A ONLY
 ▣ BODY TYPE 62A AND 65 ONLY
 ◇ REFER TO BODY ILLUSTRATION SECTION 400



A



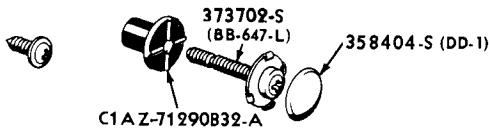
B



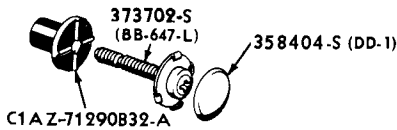
C



D



E



F



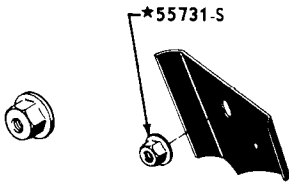
G



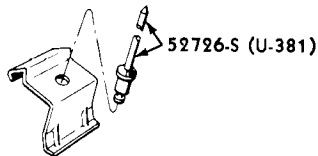
H



J



***55731-S**
K

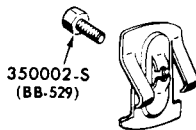
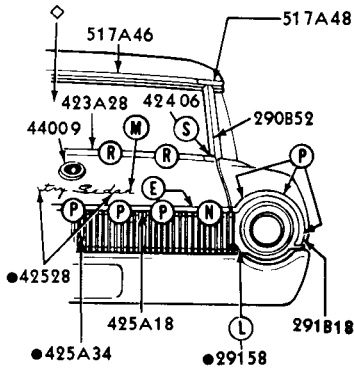
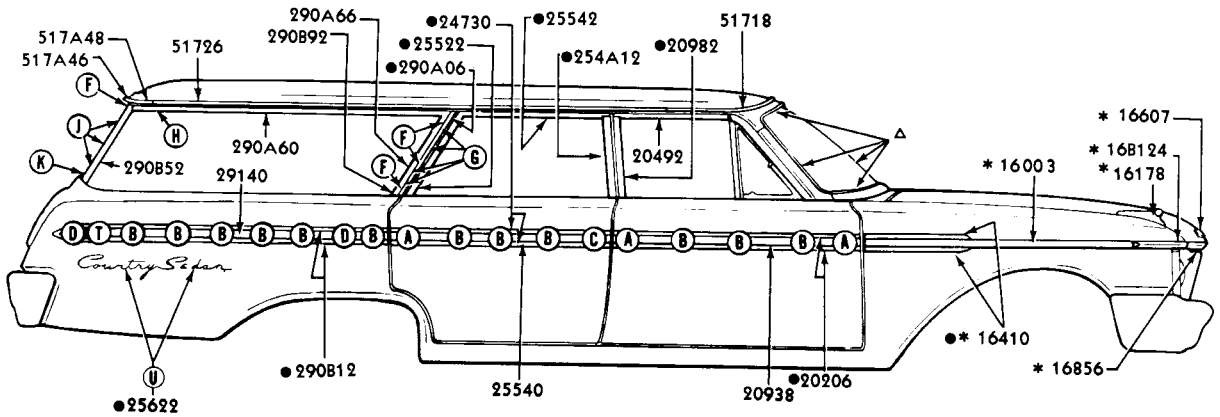


L

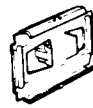
M

WALNUT GRAIN TRANSFER (BODY SIDE) C2AB7120748-A
WALNUT GRAIN TRANSFER (TAILGATE) C2AB7120748-B

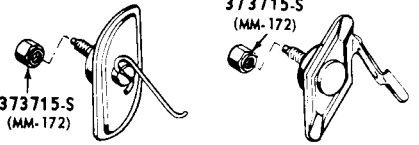
△ REFER TO BODY ILLUSTRATION SECTION 030
* REFER TO GROUP IN CHASSIS SECTION



C2AZ-6221066-A
A



C2AZ-6229120-A
B



ALTERNATES
COAZ-6421094-C
C



376378-S (UU-97)
D



375557-S (UU-82)
E



376378-S (UU-97)
F



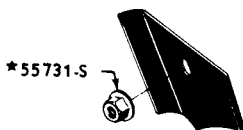
C1AZ-5929100-A
G



52720-S (U-380)
H



*55731-S
J



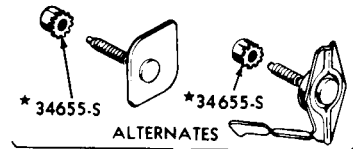
C1AB-59291B14-A
K



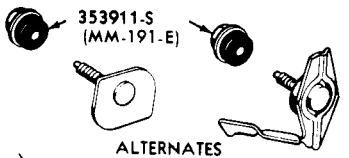
*376394-S
L



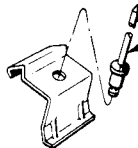
353577-S (MM-222)
M



ALTERNATES
C2AZ-6242527-A
N



ALTERNATES
C2AZ-6242527-B
P

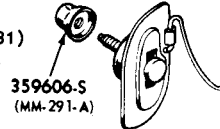


*C2AZ-71423A26-A
R

USE 52726-S (U-381) FOR SERVICE



*52718-S
S

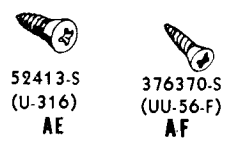
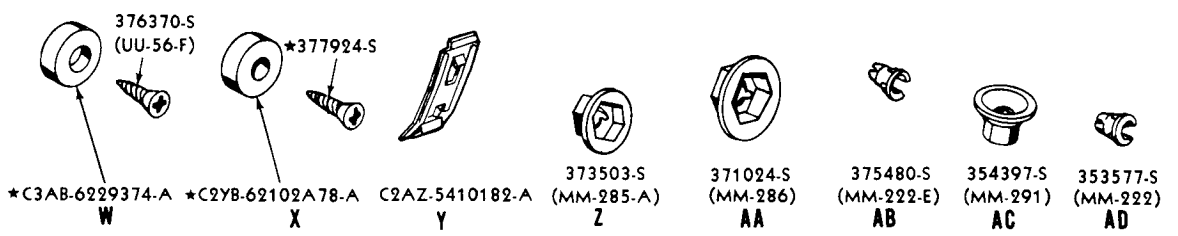
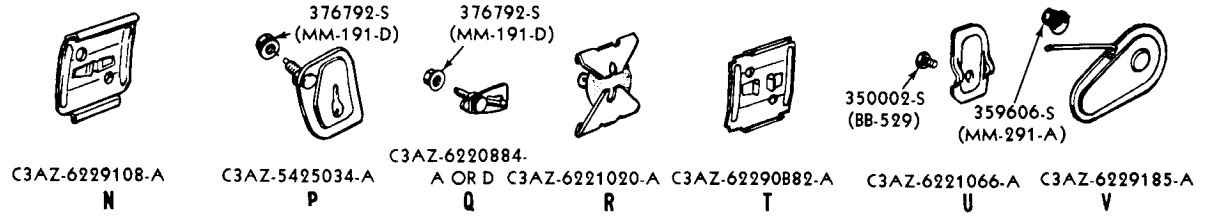
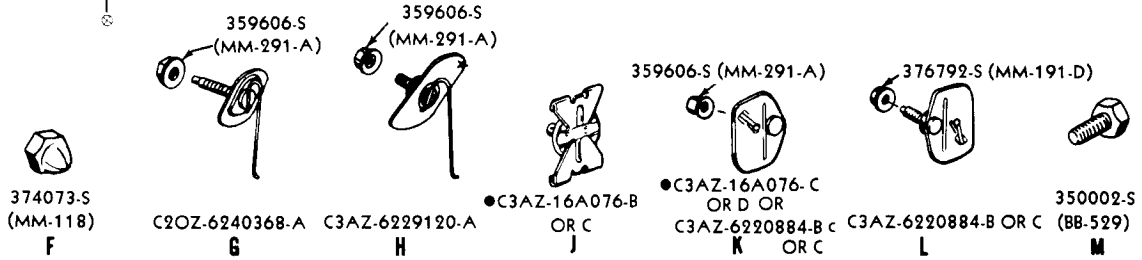
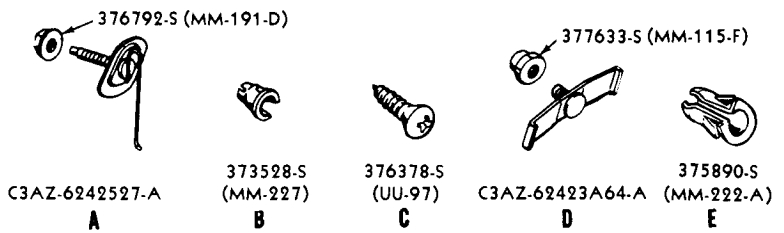
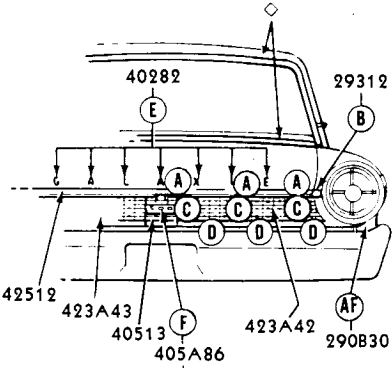
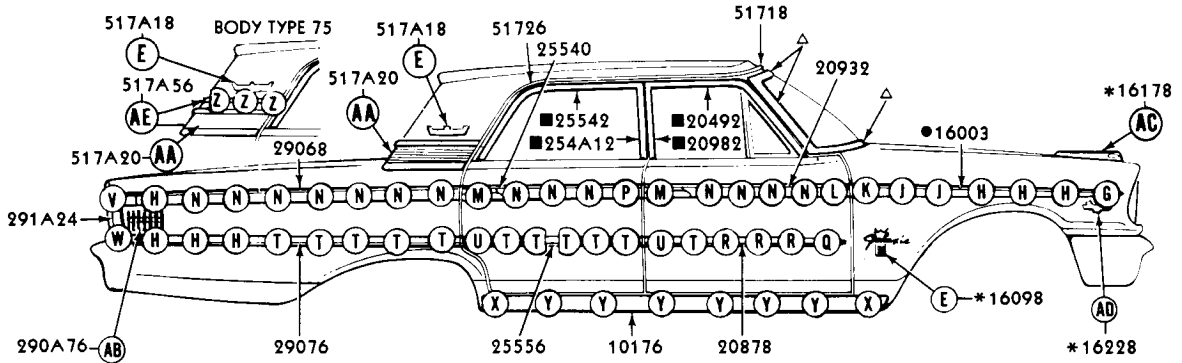


C2AZ-6229108-A
T



375890-S (MM-222-A)
U

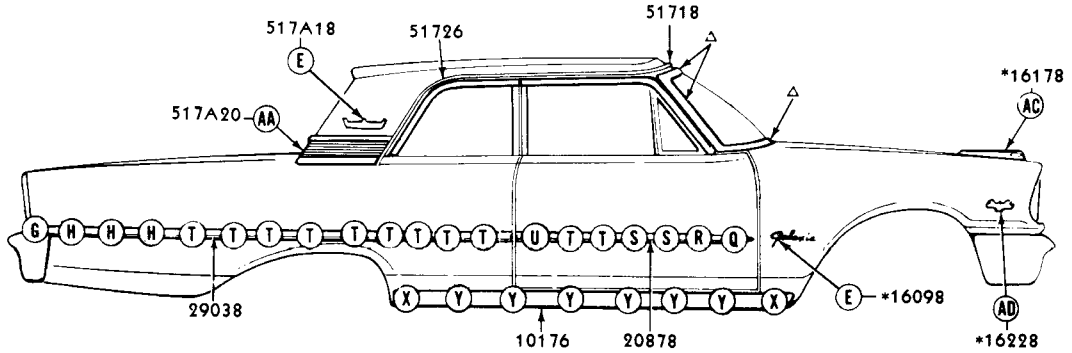
* REFER TO CHASSIS ILLUSTRATION SECTION 160
△ REFER TO BODY ILLUSTRATION SECTION 030
◇ REFER TO BODY ILLUSTRATION SECTION 400
● BODY TYPE 71B, C ONLY



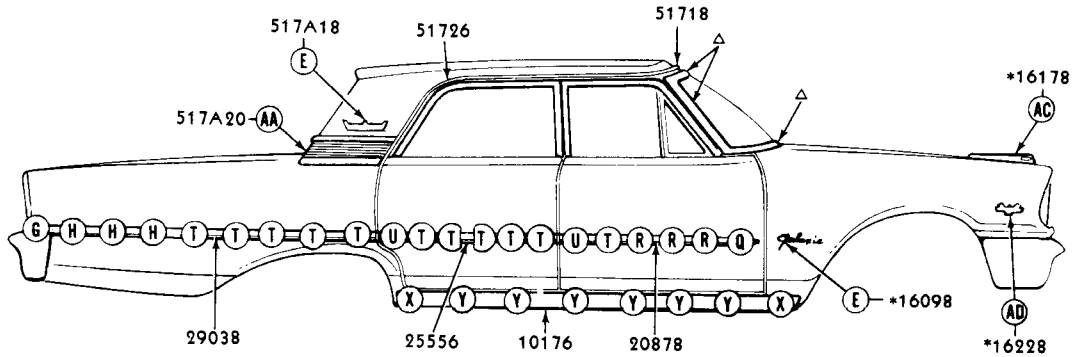
▲ REFER TO BODY ILLUSTRATION SECTION 030 ■ BODY TYPE 54A
 ◇ REFER TO BODY ILLUSTRATION SECTION 400 ⊕ ALSO REFER TO BODY ILLUSTRATION SECTION 430
 *REFER TO GROUP IN CHASSIS SECTION P.3950

**A EXTERIOR MOULDING
ILLUSTRATION SECTION**

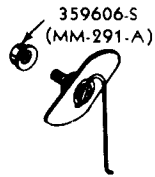
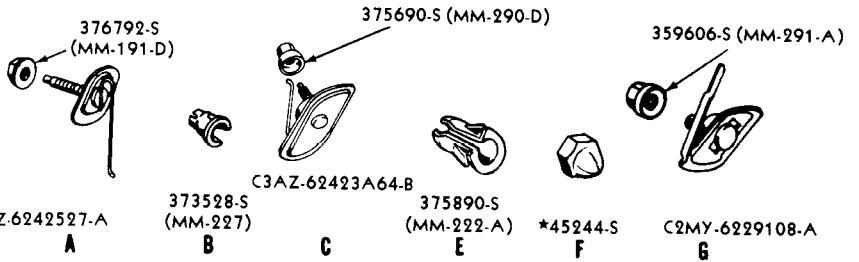
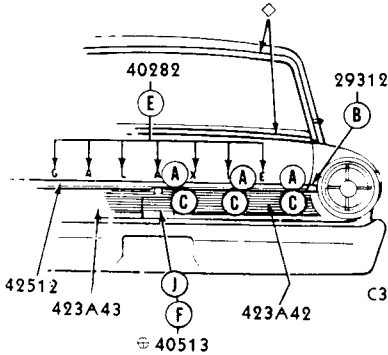
FORD CAR PARTS



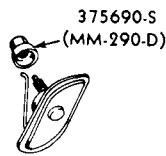
BODY TYPE 62B



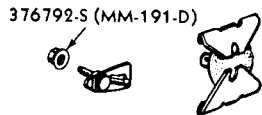
BODY TYPE 54B



C3AZ-6221020-A
H



C3AZ-6242527-B
J



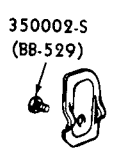
C3AZ-6220884-A
Q OR D



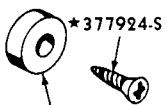
*C3AZ-6229120-A
R



C3AZ-62290882-A
T



C3AZ-6221066-A
U



*C2YB-62102A78-A
X



C2AZ-5410182-A
Y



371024-S
(MM-286)
AA

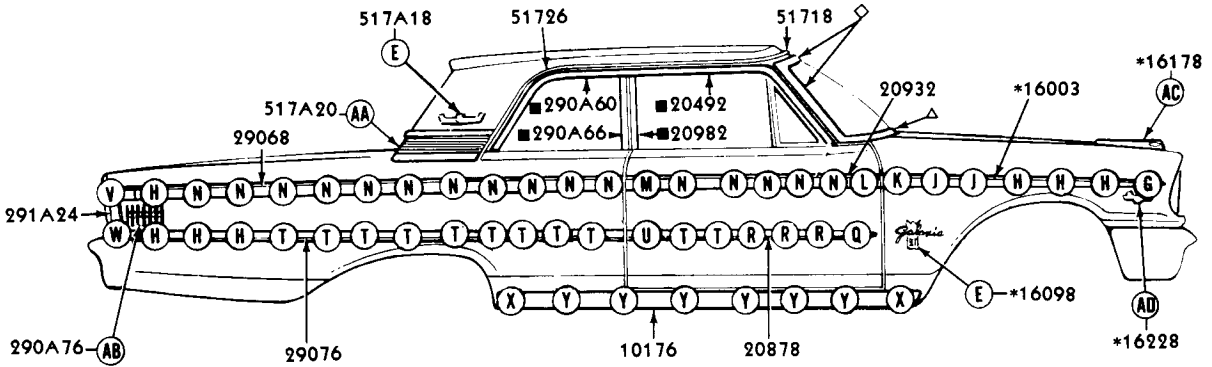


354397-S
(MM-291)
AC



353577-S
(MM-222)
AD

△ REFER TO BODY ILLUSTRATION SECTION 030
◇ REFER TO BODY ILLUSTRATION SECTION 400
* REFER TO GROUP IN CHASSIS SECTION
⊕ ALSO REFER TO BODY ILLUSTRATION:
SECTION 430



376792-S (MM-191-D) A

373528-S (MM-227) B

376378-S (UU-97) C

377633-S (MM-115-F) D

375890-S (MM-222-A) E

359606-S (MM-291-A) G

359606-S (MM-291-A) H

359606-S (MM-291-A) I

359606-S (MM-291-A) K

*C3AZ-16A076-C OR D OR C3AZ-6220884-B OR C

374073-S (MM-118) F

C2OZ-6240368-A

C3AZ-6229120-A

*C3AZ-16A076-B

376792-S (MM-191-D) L

350002-S (BB-529) M

350002-S (BB-529) U

359606-S (MM-291-A) V

376370-S (UU-56-F) W

*377924-S X

376370-S (UU-56-F) AF

ALTERNATES N

C3AZ-6229108-A

ALTERNATES Q OR D

C3AZ-6221020-A

ALTERNATES T

C3AZ-62290882-A

371024-S (MM-286) AA

375480-S (MM-222-E) AB

354397-S (MM-291) AC

353577-S (MM-222) AD

376370-S (UU-56-F) AF

354397-S (MM-191) AG

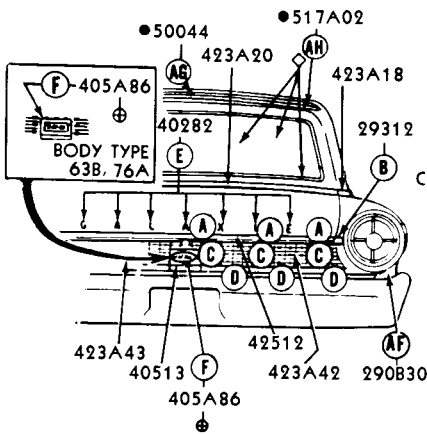
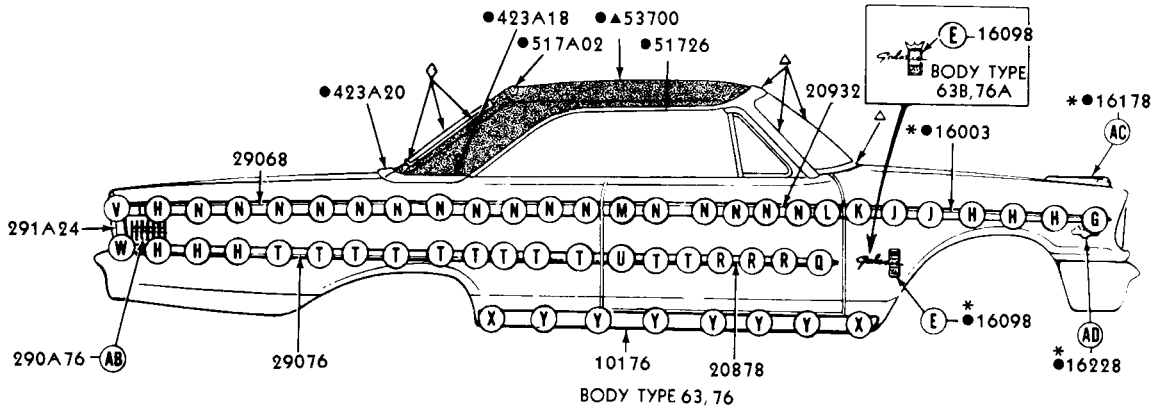
52413-S (U-316) AH

■ BODY TYPE 62A
*REFER TO GROUP IN CHASSIS SECTION
▲ REFER TO SOFT TRIM SECTION
△ REFER TO BODY ILLUSTRATION SECTION 030
◇ REFER TO BODY ILLUSTRATION SECTION 400
⊙ ALSO REFER TO BODY ILLUSTRATION SECTION 430

C2OZ-6242527-A

A EXTERIOR MOULDING ILLUSTRATION SECTION

FORD CAR PARTS



- 376792-S (MM-191-D) **A**
- 373528-S (MM-227) **B**
- 376378-S (UU-97) **C**
- 377633-S (MM-115-F) **D**
- 375890-S (MM-222-A) **E**
- 359606-S (MM-291-A) **F**
- 359606-S (MM-291-A) **G**
- 359606-S (MM-291-A) **H**
- 359606-S (MM-291-A) **J**
- 359606-S (MM-291-A) **K**
- 374073-S (MM-118) **F**
- C2OZ-6240368-A **G**
- C3AZ-6229120-A *C3AZ-16A076-B **H**
- C3AZ-6220884-B OR C **K**
- 376792-S (MM-191-D) **L**
- 350002-S (BB-529) **M**
- 376792-S (MM-191-D) **N**
- 376792-S (MM-191-D) **Q**
- 376792-S (MM-191-D) **R**
- 376792-S (MM-191-D) **T**
- 350002-S (BB-529) **U**
- 359606-S (MM-291-A) **V**
- 376370-S (UU-56-F) **W**
- *377924-S **X**
- 375480-S (MM-222-E) **AB**
- 354397-S (MM-291) **AC**
- 353577-S (MM-222) **AD**

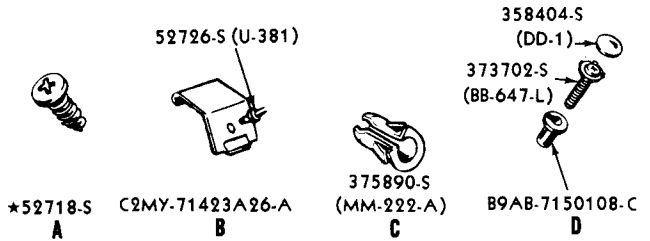
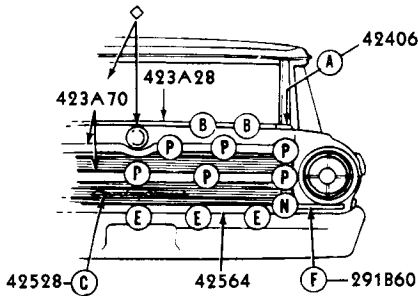
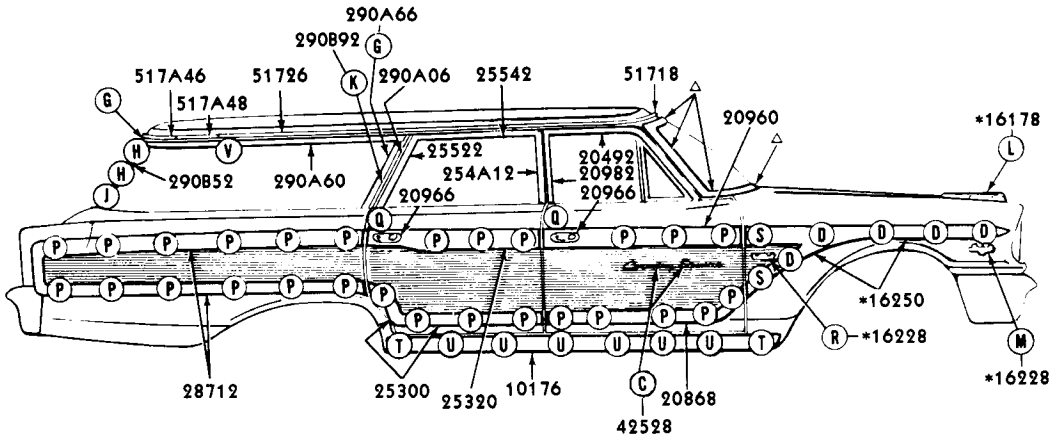
ALTERNATES
C3AZ-6229108-A C3AZ-6220884-A OR D C3AZ-6221020-A

ALTERNATES
C3AZ-62290882-A

- 376370-S (UU-56-F) **AF**
- 354397-S (MM-191) **AG**
- C2OZ-6242527-A **AG**
- 52413-S (U-316) **AH**

*REFER TO GROUP IN CHASSIS SECTION
 ▲REFER TO SOFT TRIM SECTION
 △REFER TO BODY ILLUSTRATION SECTION 030
 ◇REFER TO BODY ILLUSTRATION SECTION 400
 ⊕ALSO REFER TO BODY ILLUSTRATION SECTION 430

●BODY TYPE 63

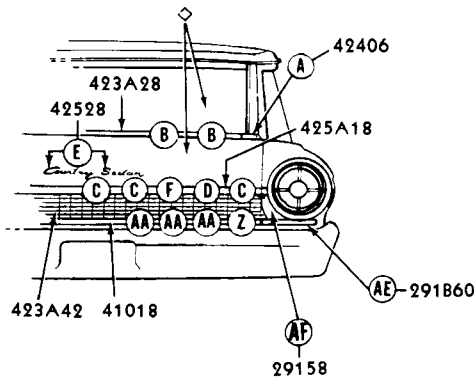
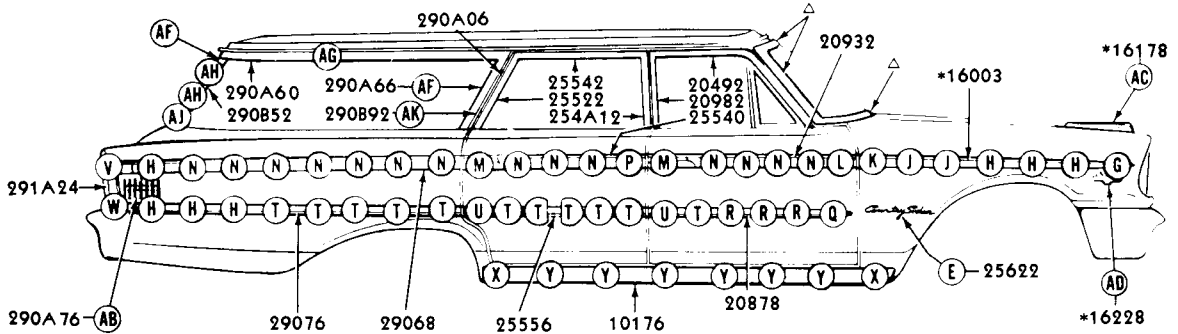


WALNUT GRAIN TRANSFER C3AZ-7120748-A

*REFER TO GROUP IN CHASSIS SECTION
 Δ REFER TO BODY ILLUSTRATION SECTION 030
 ◇ REFER TO BODY ILLUSTRATION SECTION 400

A EXTERIOR Moulding ILLUSTRATION SECTION

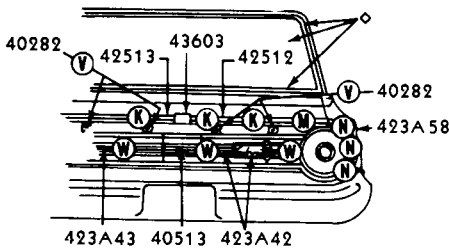
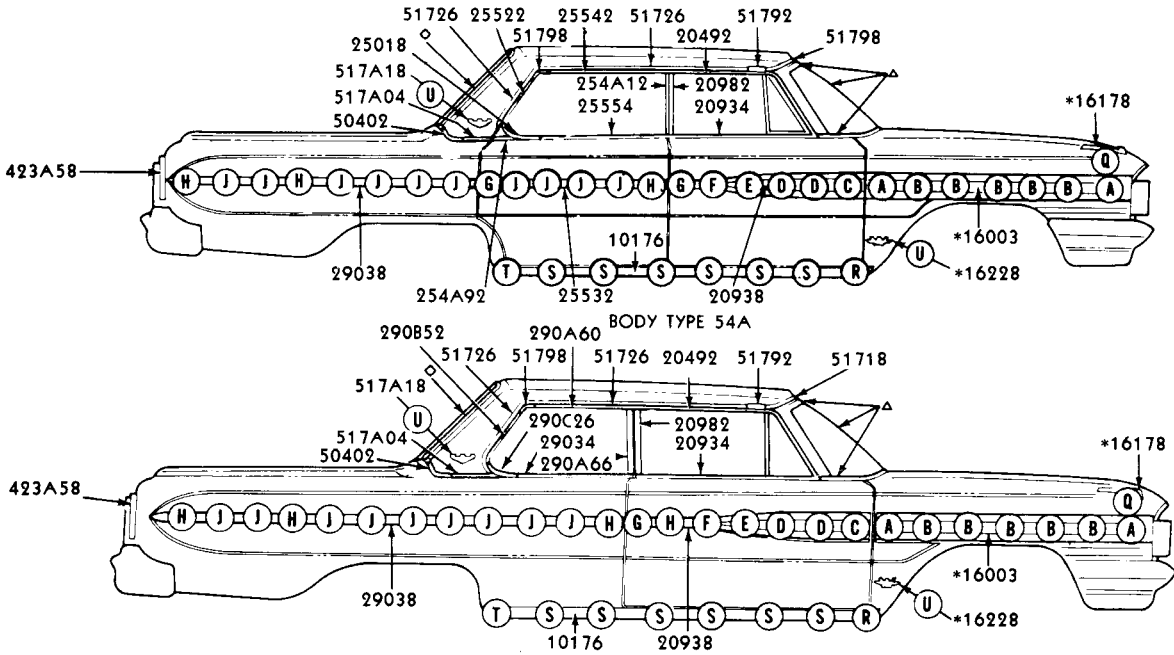
FORD CAR PARTS



- A** *52718-S
- B** C2MY-71423A26-A
- C** C3AZ-7142527-A
- D** C3AZ-7142527-B
- E** 375890-S (MM-222-A)
- F** 376792-S (MM-191-D)
- G** C2OZ-6240368-A
- H** C3AZ-6229120-A
- I** *C3AZ-16A076-B OR C
- J** 376792-S (MM-191-D)
- K** *C3AZ-16A076-C OR D OR C3AZ-6220884-B OR C
- L** C3AZ-6220884-B OR C
- M** 350002-S (BB-529)
- N** C3AZ-6229108-A
- O** 350002-S (BB-529)
- P** C3AZ-5425034-A
- Q** C3AZ-6220884-A OR D
- R** C3AZ-6221020-A
- S** 359606-S (MM-291-A)
- T** 376792-S (MM-191-D)
- U** C3AZ-6221066-A
- V** C3AZ-6229185-A
- W** *C3AB-7129374-A
- X** *C2YB-62102A78-A
- Y** C2AZ-5410182-A
- Z** *376762-S
- AA** C1AB-59425A36-A
- AB** C3AZ-71407A12-A
- AC** 375480-S (MM-222-E)
- AD** 354397-S (MM-291)
- AE** 353577-S (MM-222)
- AF** 376378-S (UU-97)
- AG** 41540-S (U-353)
- AH** *55731-S
- AJ** *C1AB-59291A14-A
- AK** C1AZ-5929100-A

ALTERNATES
*C3AZ-62290882-A

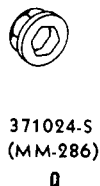
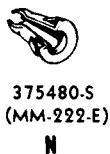
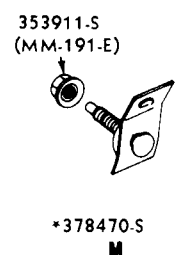
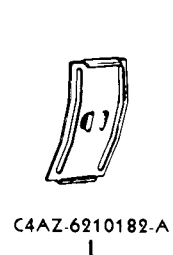
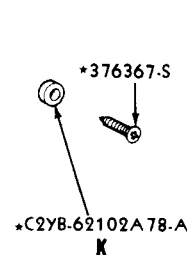
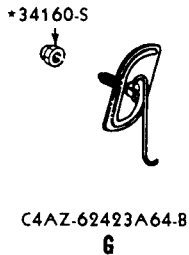
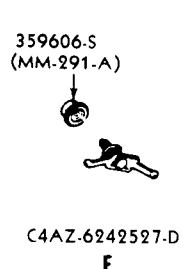
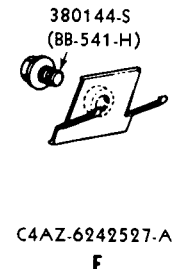
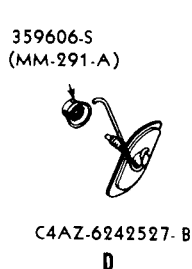
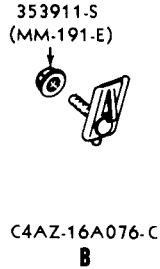
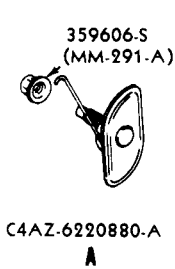
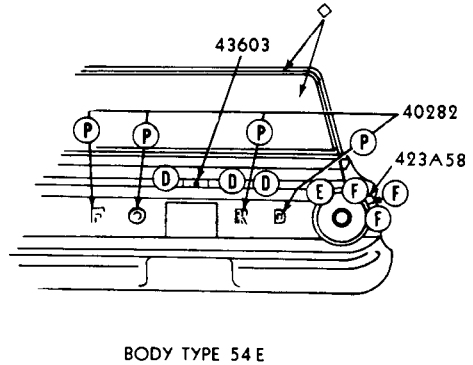
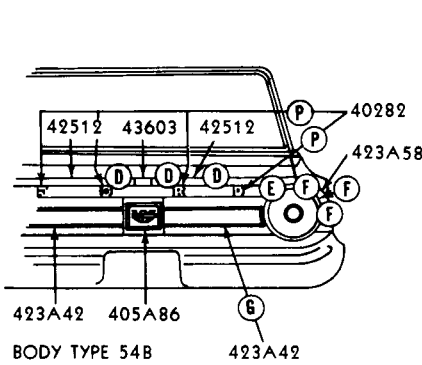
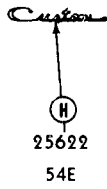
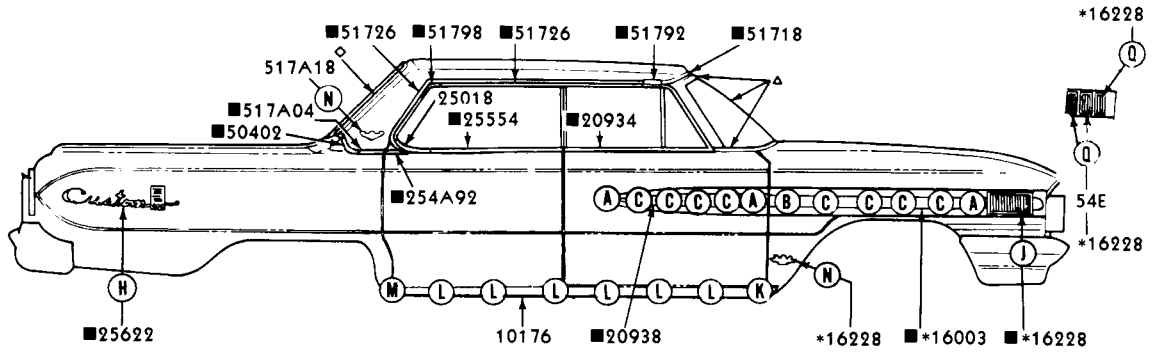
△ REFER TO BODY ILLUSTRATION SECTION 030
◇ REFER TO BODY ILLUSTRATION SECTION 400
*REFER TO GROUP IN CHASSIS SECTION P-3965



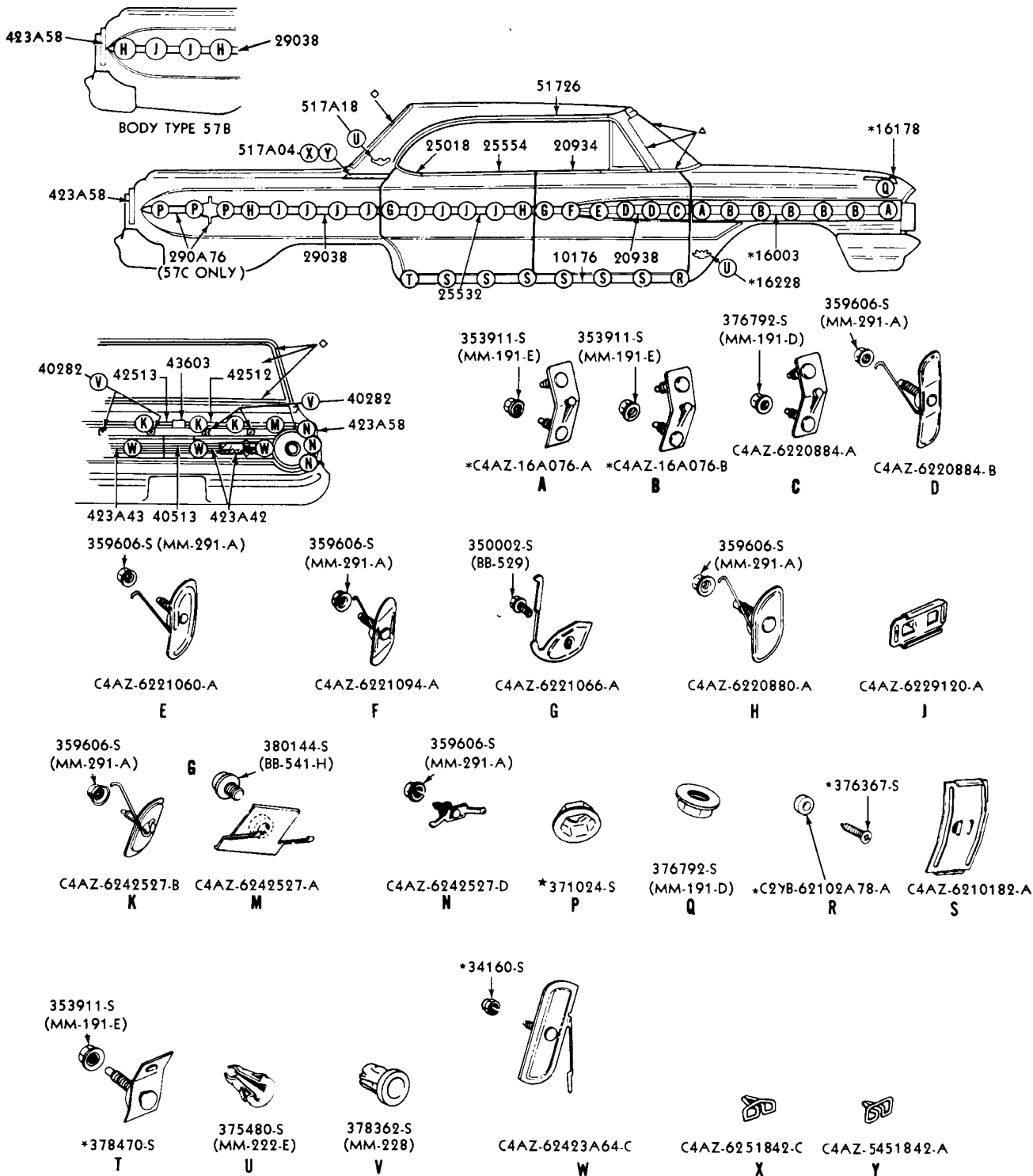
- 353911-S (MM-191-E)
- 353911-S (MM-191-E)
- C4AZ-6220884-A
- 376792-S (MM-191-D)
- 359606-S (MM-291-A)
- 359606-S (MM-291-A)
- 40282
- 42513
- 43603
- 42512
- 40282
- 423A58
- 423A43
- 40513
- 423A42
- *C4AZ-16A076-A
- *C4AZ-16A076-B
- C4AZ-6220884-B
- C4AZ-6221060-A
- 359606-S (MM-291-A)
- 350002-S (BB-529)
- 359606-S (MM-291-A)
- C4AZ-6221094-A
- C4AZ-6221066-A
- C4AZ-6220880-A
- C4AZ-6229120-A
- 359606-S (MM-291-A)
- 380144-S (BB-541-H)
- C4AZ-6242527-B
- C4AZ-6242527-A
- C4AZ-6242527-D
- C4AZ-6221066-A
- 376792-S (MM-191-D)
- *C2YB-62102A78-A
- C4AZ-6210182-A
- 353911-S (MM-191-E)
- *34160-S
- *378470-S
- 375480-S (MM-222-E)
- 378362-S (MM-228)
- C4AZ-62423A64.C
- ◇ REFER TO BODY ILLUSTRATION SECTION 400
- △ REFER TO BODY ILLUSTRATION SECTION 030
- * REFER TO GROUP IN CHASSIS SECTION

A EXTERIOR Moulding
II ILLUSTRATION SECTION

FORD CAR PARTS



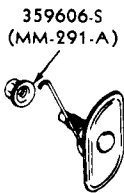
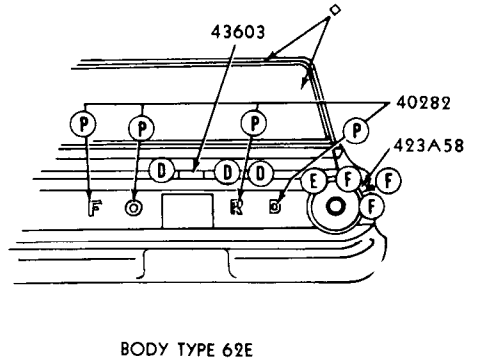
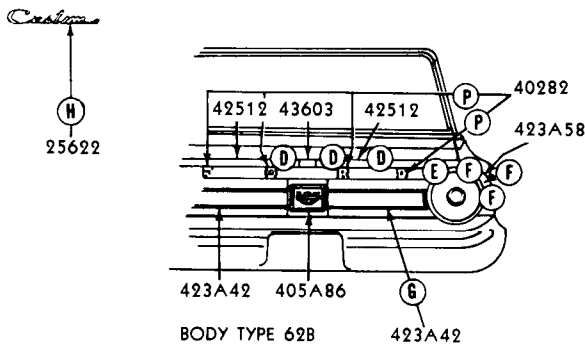
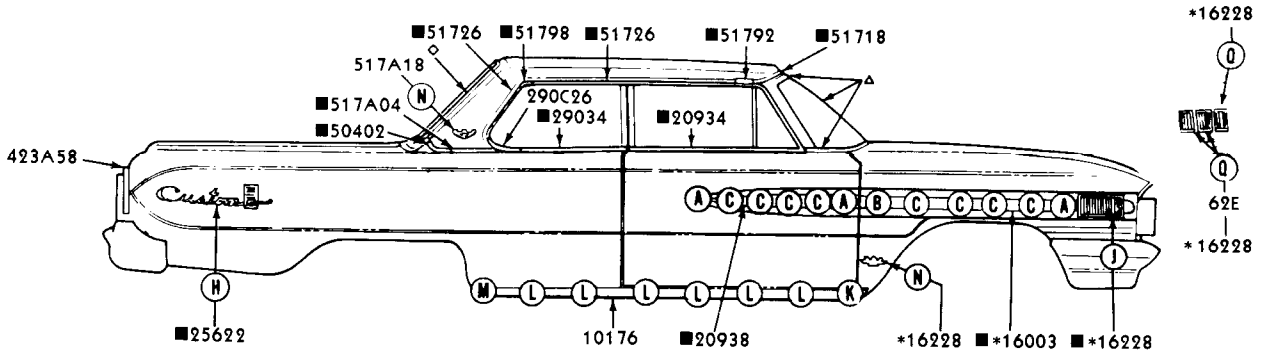
◇ REFER TO BODY ILLUSTRATION SECTION 400
 △ REFER TO BODY ILLUSTRATION SECTION 030
 * REFER TO GROUP IN CHASSIS SECTION
 ■ BODY TYPE 54B



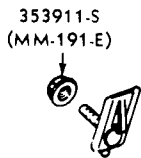
◇REFER TO BODY ILLUSTRATION SECTION 400
 △REFER TO BODY ILLUSTRATION SECTION 030
 *REFER TO GROUP IN CHASSIS SECTION

**A EXTERIOR MOULDING
ILLUSTRATION SECTION**

FORD CAR PARTS



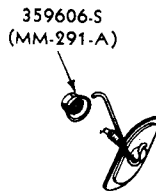
C4AZ-6220880-A
A



*C4AZ-16A076-C
B



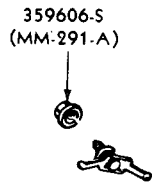
C4AZ-6229120-A
C



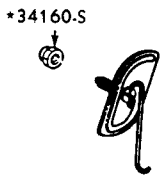
C4AZ-6242527-B
D



C4AZ-6242527-A
E



C4AZ-6242527-D
F



C4AZ-62423A64-B
G



375890-S (MM-222-A)
H



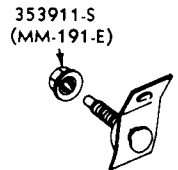
*372855-S
J



*C2YB-62102A78-A
K



C4AZ-6210182-A
L



*378470-S
M



375480-S (MM-222-E)
N

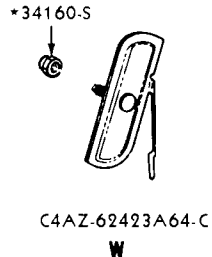
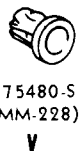
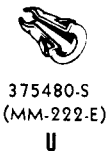
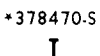
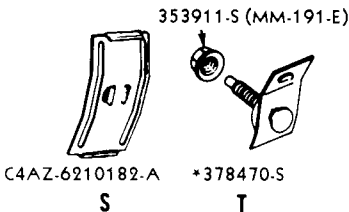
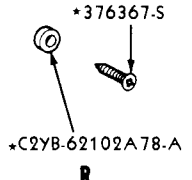
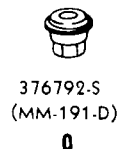
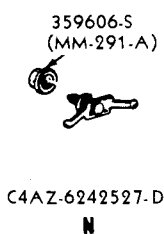
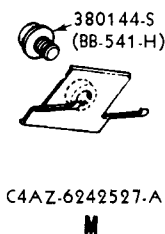
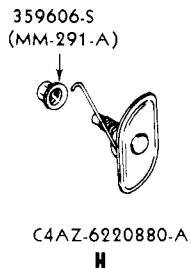
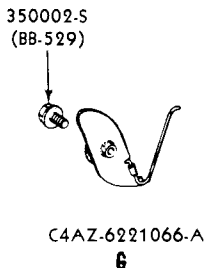
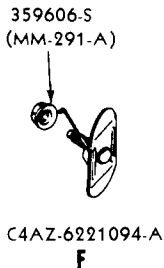
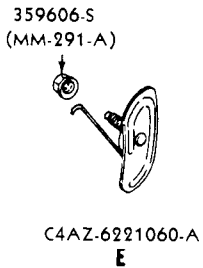
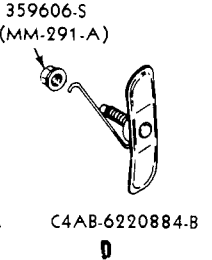
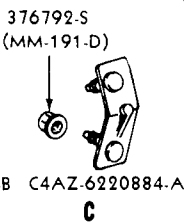
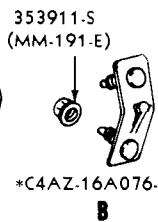
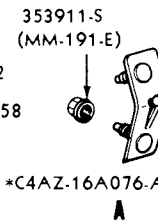
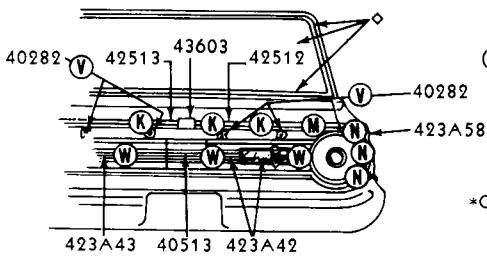
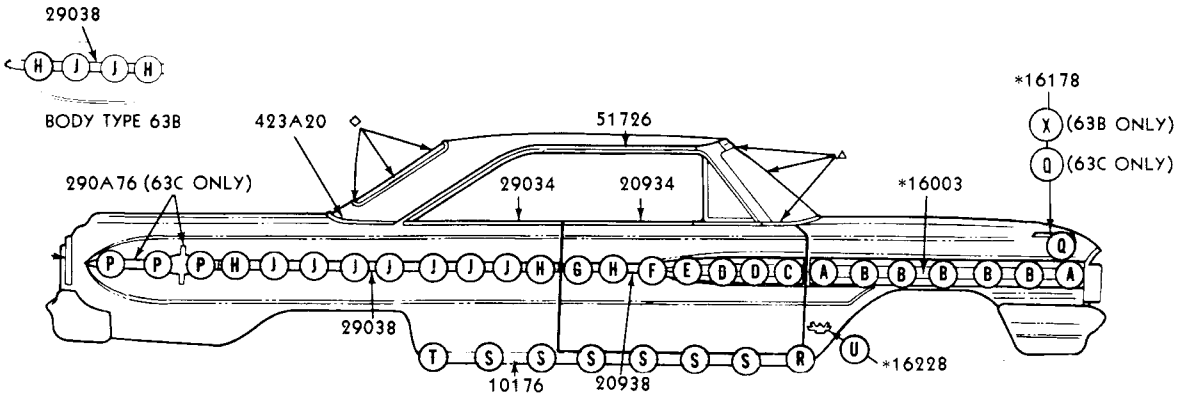


378362-S (MM-228)
P



371024-S (MM-286)
Q

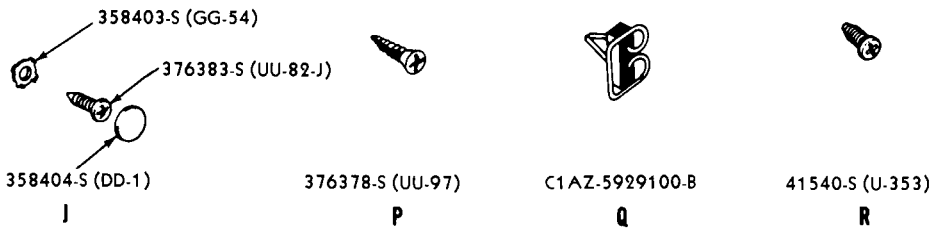
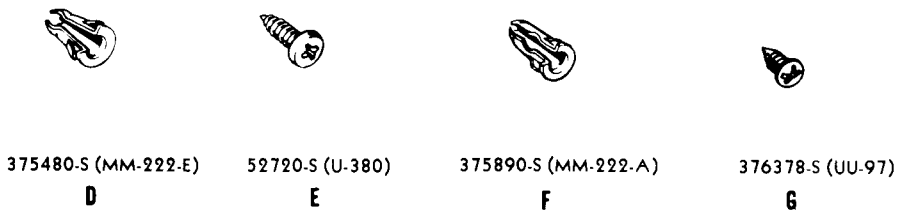
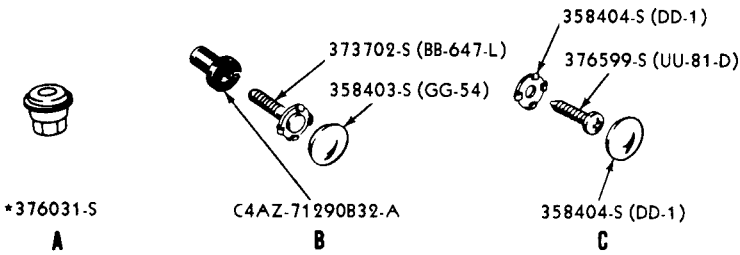
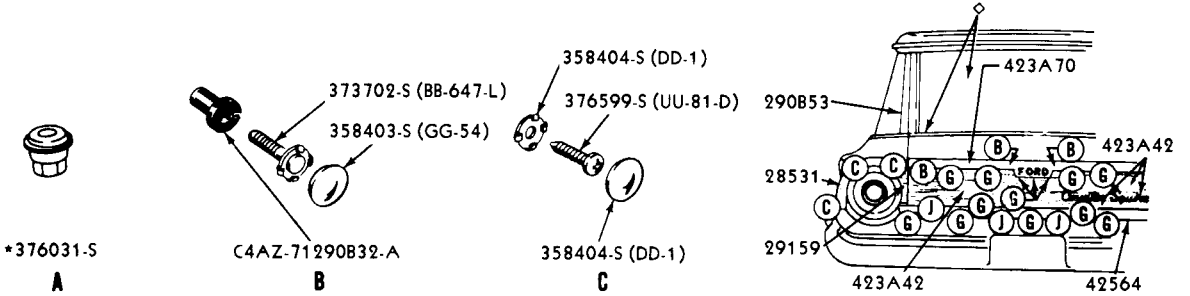
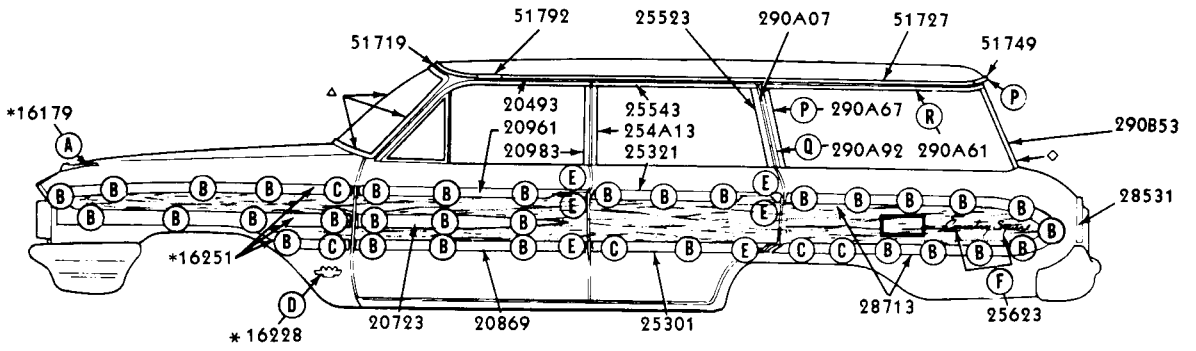
■ BODY TYPE 62B
 ◇ REFER TO BODY ILLUSTRATION SECTION 400
 △ REFER TO BODY ILLUSTRATION SECTION 030
 *REFER TO GROUP IN CHASSIS SECTION



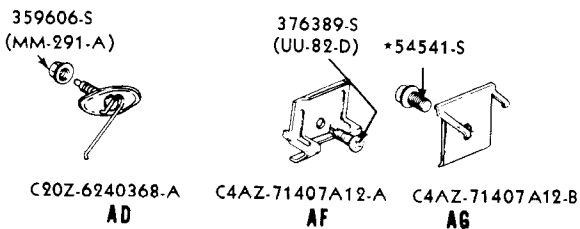
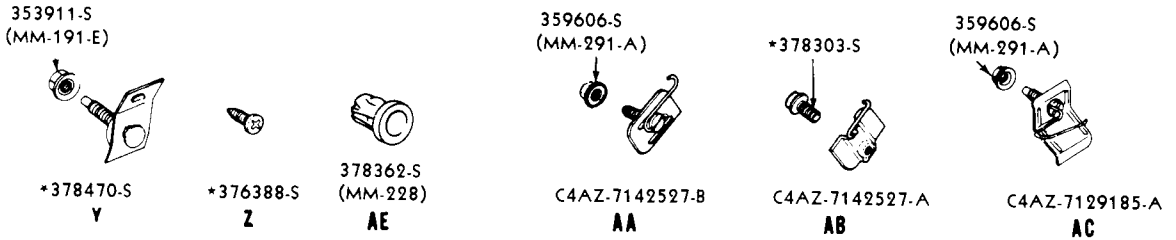
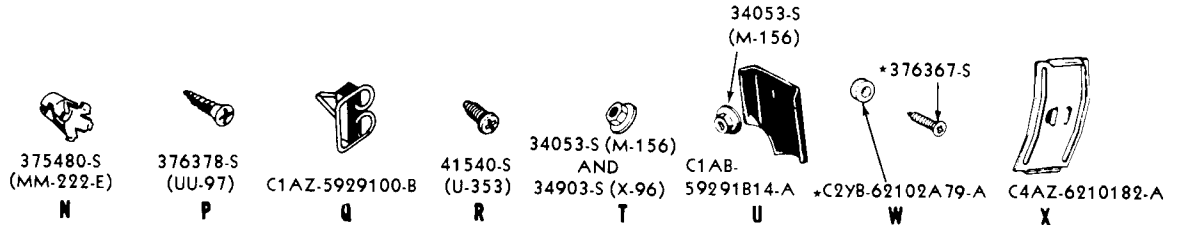
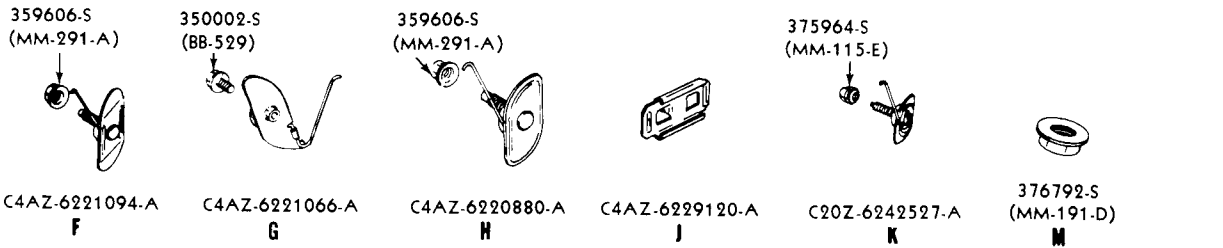
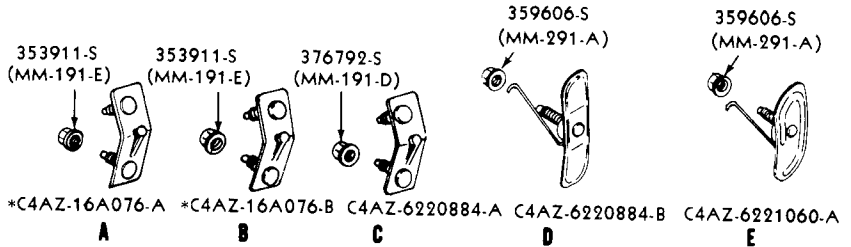
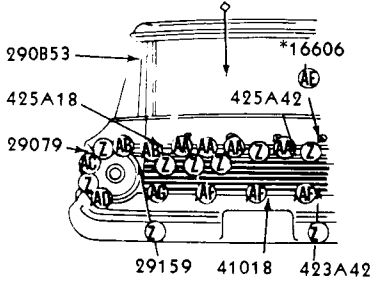
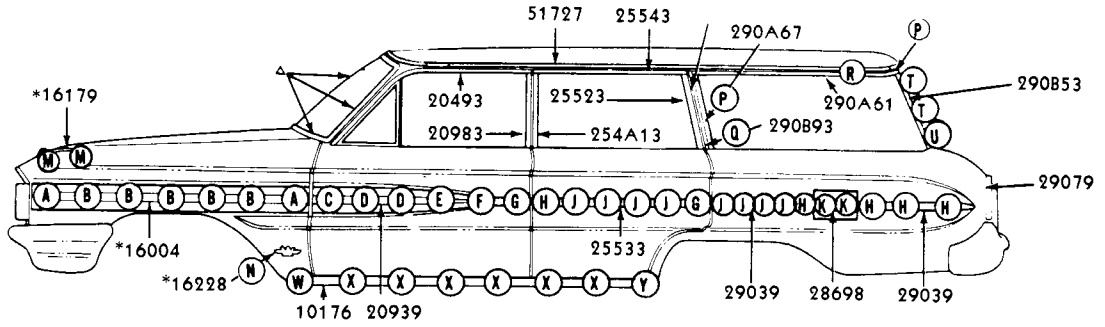
◇REFER TO BODY ILLUSTRATION SECTION 400
△REFER TO BODY ILLUSTRATION SECTION 030
*REFER TO GROUP IN CHASSIS SECTION

A EXTERIOR Moulding
ILLUSTRATION SECTION

FORD CAR PARTS



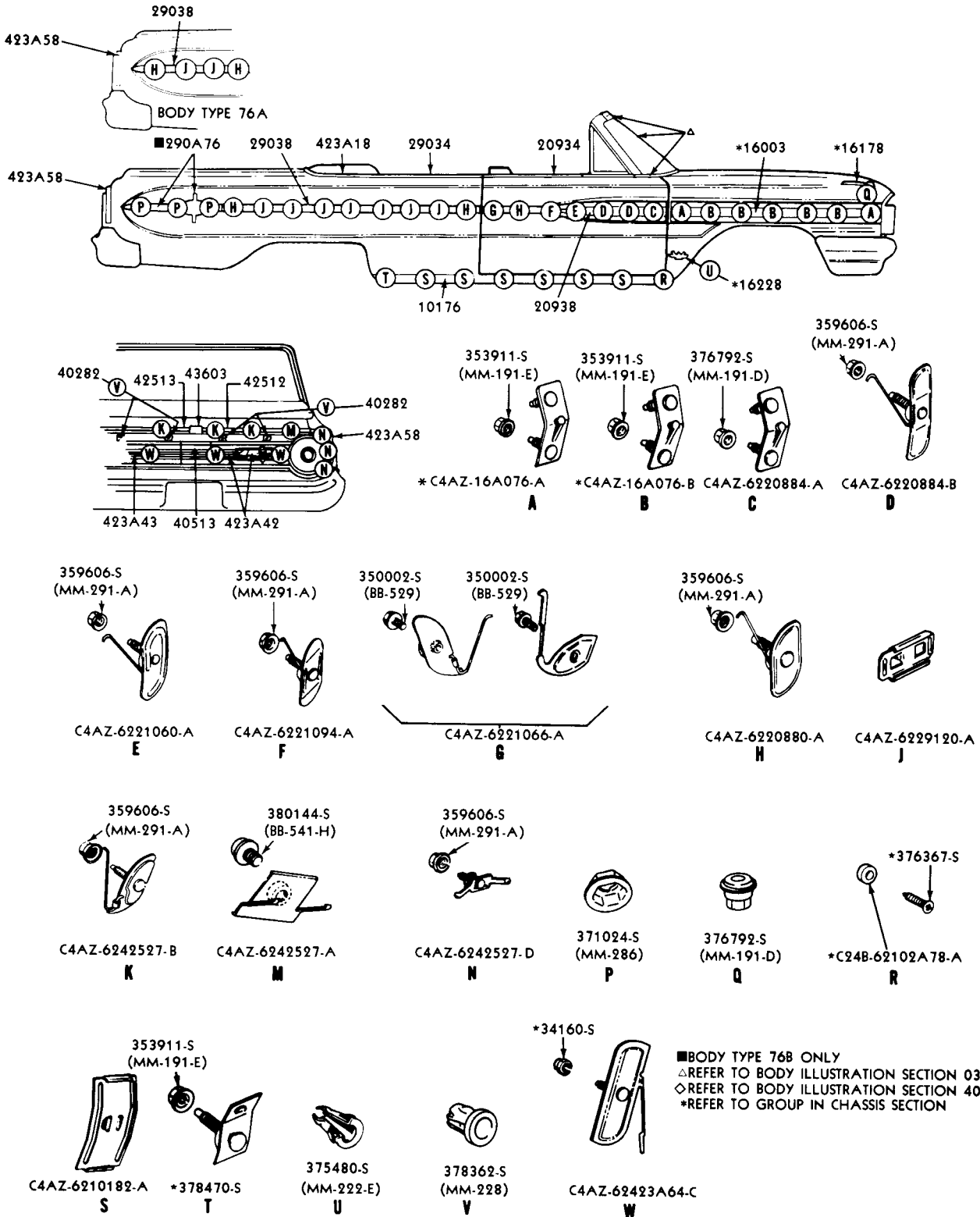
△ REFER TO BODY ILLUSTRATION SECTION 030
 ◇ REFER TO BODY ILLUSTRATION SECTION 400
 * REFER TO GROUP IN CHASSIS SECTION
 WALNUT GRAIN TRANSFER REFER TO BODY GROUP 20748

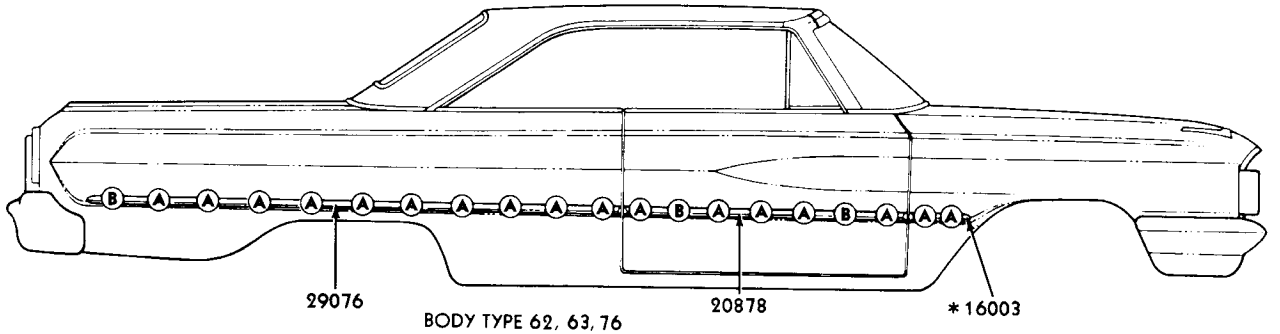


◇ REFER TO BODY ILLUSTRATION SECTION 400
 △ REFER TO BODY ILLUSTRATION SECTION 030
 * REFER TO GROUP IN CHASSIS SECTION

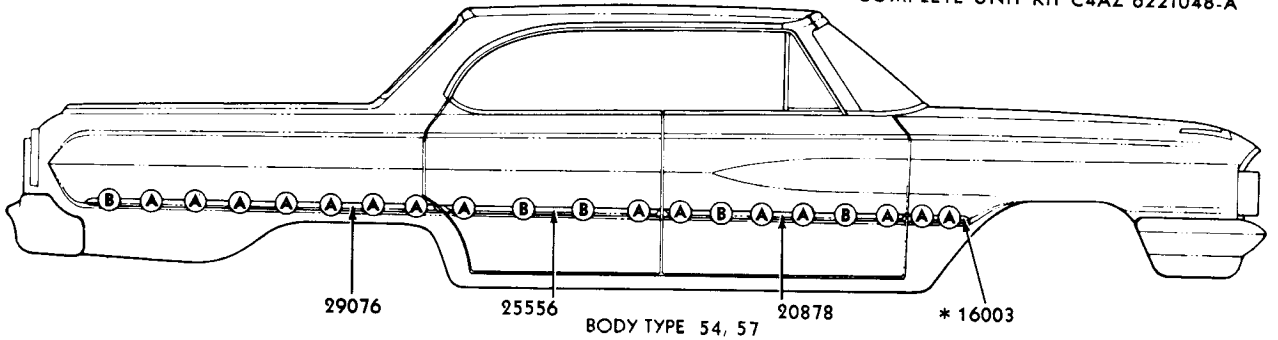
A EXTERIOR MOULDING ILLUSTRATION SECTION

FORD CAR PARTS

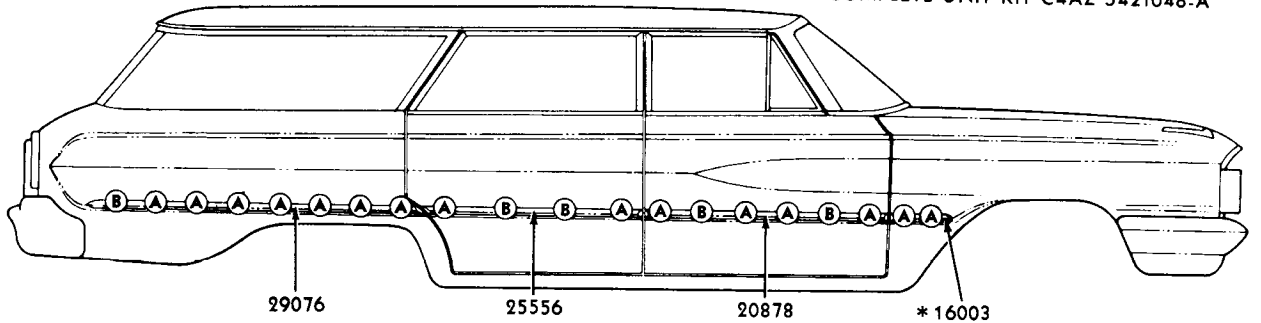




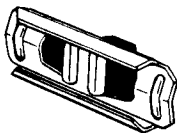
COMPLETE UNIT KIT C4AZ 6221048-A



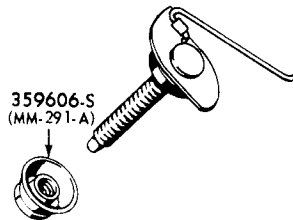
COMPLETE UNIT KIT C4AZ 5421048-A



COMPLETE UNIT KIT C4AZ 7121048-A



C2DZ 6420842-A



C2DZ 16A076-A

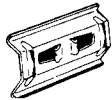
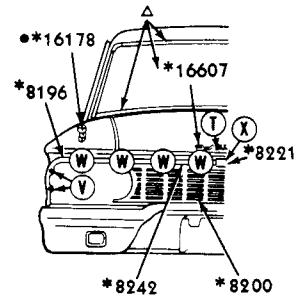
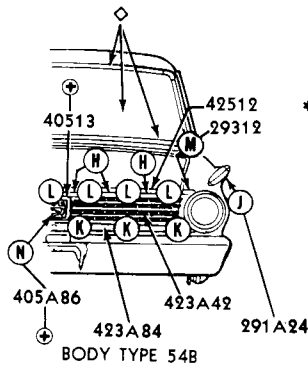
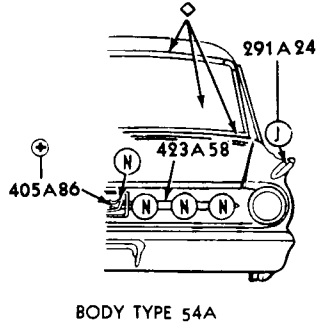
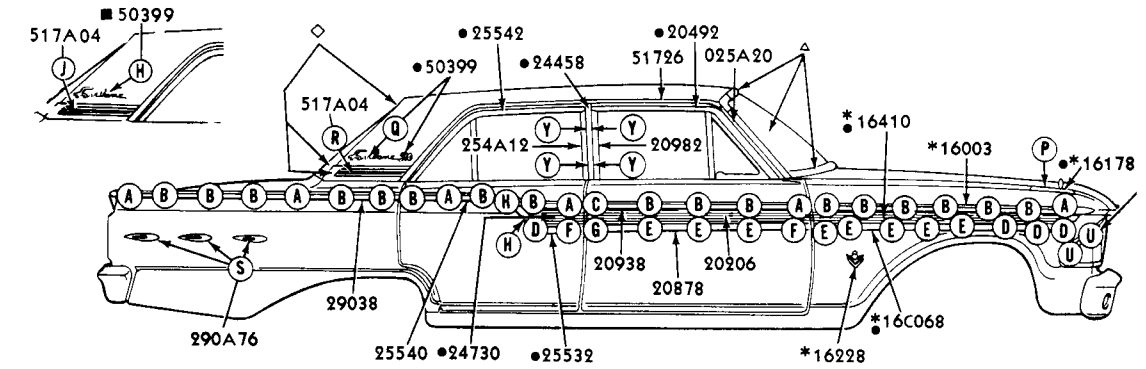
A

B

*REFER TO GROUP IN CHASSIS SECTION

**B EXTERIOR Moulding
ILLUSTRATION SECTION**

FORD CAR PARTS



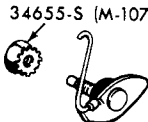
C20Z-6229120-A

B



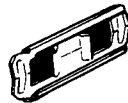
C20Z-6221066-B

C



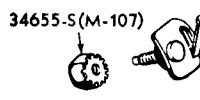
*C20Z-16A076-C

D



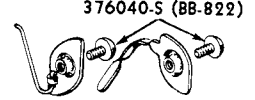
*C20Z-16A076 A

E



C20Z-6220884-A

F



ALTERNATES
C20Z 6221066-A

G



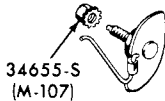
376378-S (UU-97)

H



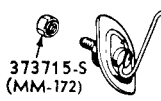
373265-S7 (MM-291-D)

J



C20Z-6240368-A

K



C20Z-6242527-A

L



373715-S (MM-172)

M



373052-S (BB-556)

N



370548-S (MM-295)

P



375890-S (MM-222-A)

Q



375526-S (MM-295-H)

R



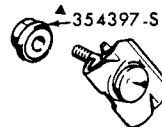
374073-S (MM-118)

S



55731-S (M-96-E)

T



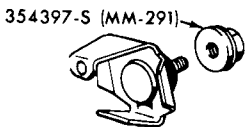
*C20Z-8B097-A

U



52727-S (U-382)

V



*C20Z-8244-A

W



354397-S (MM-291)

X



376374-S (BB-99)

Y

* REFER TO GROUP IN CHASSIS SECTION
△ REFER TO BODY ILLUSTRATION SECTION 030

■ BODY TYPE 54A

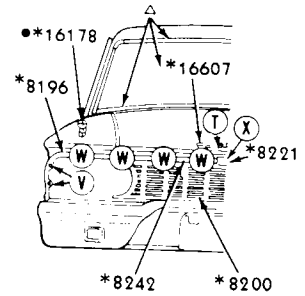
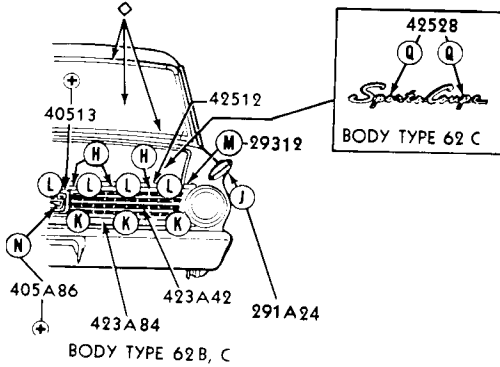
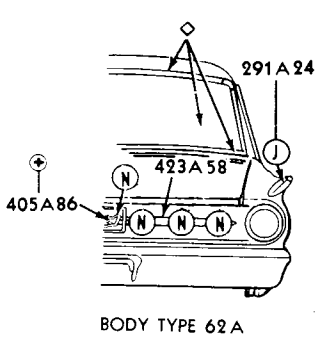
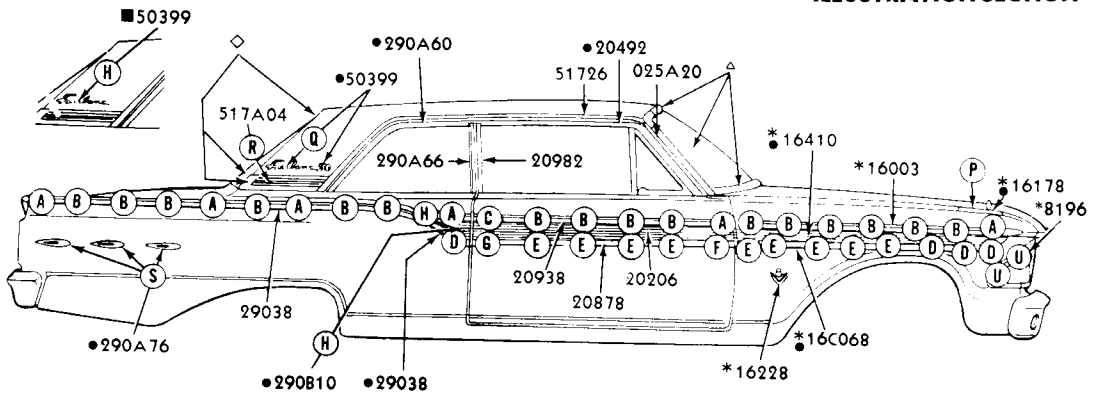
● BODY TYPE 54B

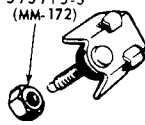
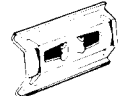

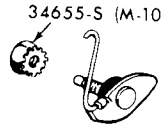
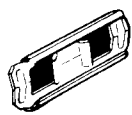
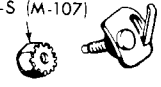
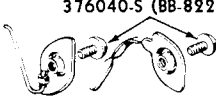











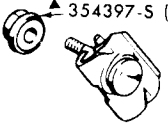




⊙ REFER TO BODY ILLUSTRATION SECTION 400

⊕ ALSO REFER TO BODY ILLUSTRATION SECTION 430

10-68

P-3755

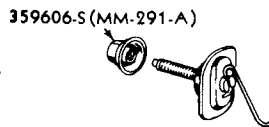
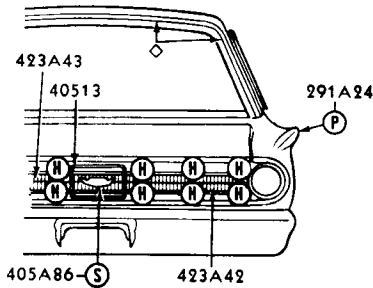
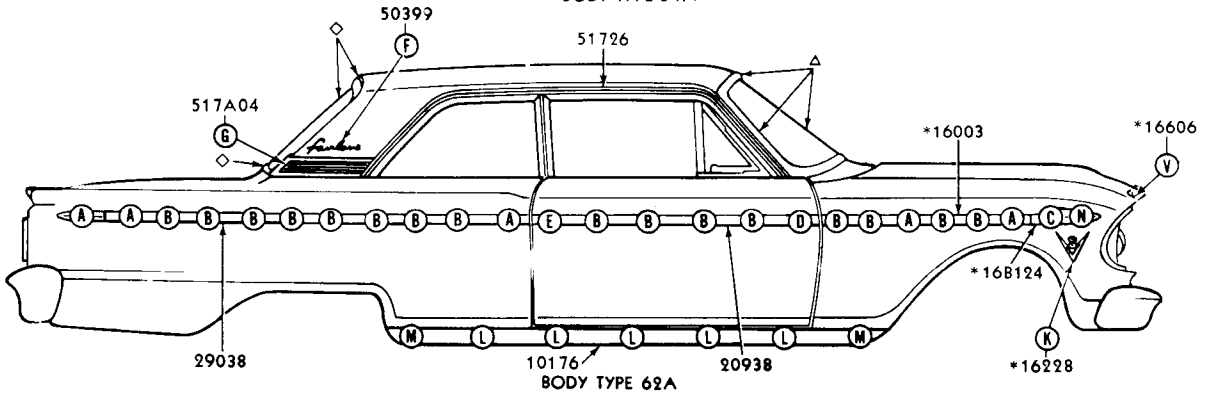
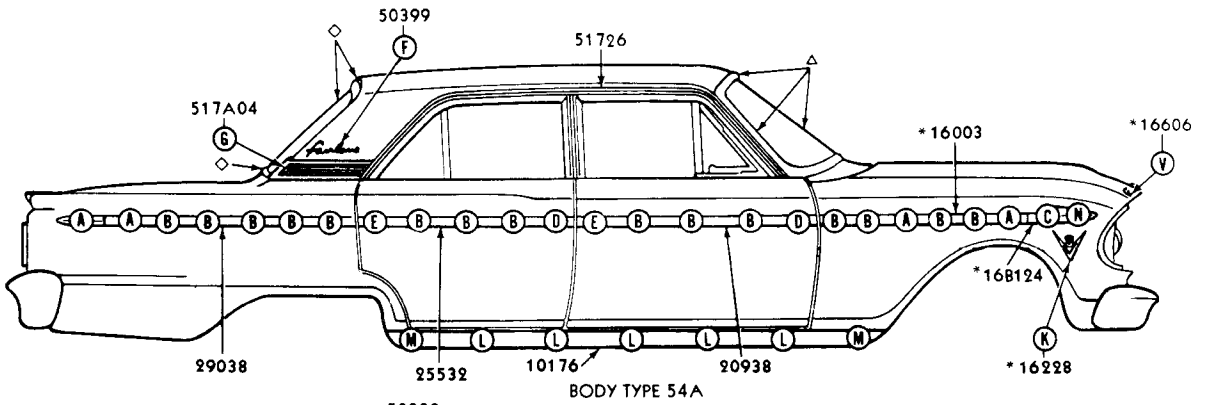


- 373715-S (MM-172)  **A** C20Z-6221094-A
-  **B** C20Z-6229120-A
- *376391-S  **C** C20Z-6221066-B
- 34655-S (M-107)  **D** *C2DZ-16A076-C
-  **E** *C20Z-16A076 A
- 34655-S (M-107)  **F** C20Z-6220884-A
- 376040-S (BB-822)  **G** C20Z 6221066-A
-  **H** 376378-S (UU-97)
-  **J** 373265-S (MM-291-D)
- 34655-S (M-107)  **K** C20Z-6240368-A
- 373715-S (MM-172)  **L** C20Z-6242527-A
-  **M** 373715-S (MM-172)
-  **N** 373052-S (BB-556)
-  **P** 370548-S (MM-295)
-  **Q** 375890-S (MM-222-A)
-  **R** 375526-S (MM-295-H)
-  **S** 374073-S (MM-118)
-  **T** 55731-S (MM-96-E)
-  **U** 354397-S (MM-291)
-  **V** 52727-S (U-382)
-  **W** *C20Z-8244-A
-  **X** 354397-S (MM-291)
-  **Y** 354397-S (MM-291)

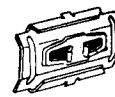
* REFER TO GROUP IN CHASSIS SECTION
 △ REFER TO BODY ILLUSTRATION SECTION 030
 ◇ REFER TO BODY ILLUSTRATION SECTION 400
 † ALSO REFER TO BODY ILLUSTRATION SECTION 430
 ● BODY TYPE 62B, C
 ■ BODY TYPE 62A

B EXTERIOR MOULDING ILLUSTRATION SECTION

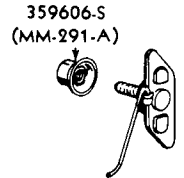
FORD CAR PARTS



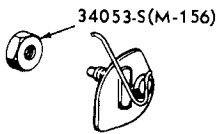
C3MY-16A076-A
A



B



*C30Z-16A076-A
C



C30Z-6221094-A
D



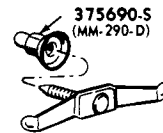
E



F



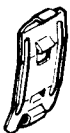
G



C30Z-62423A64-A
H



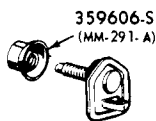
K



L



*C2YB-62102A78-A
M



*C30Z-16A076-B
N



P

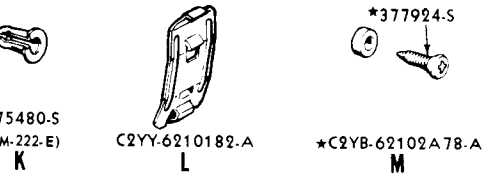
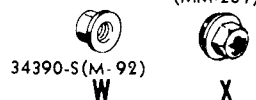
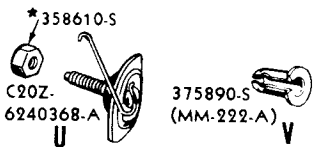
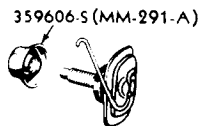
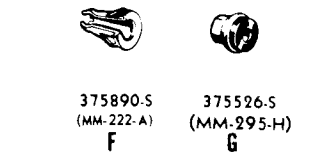
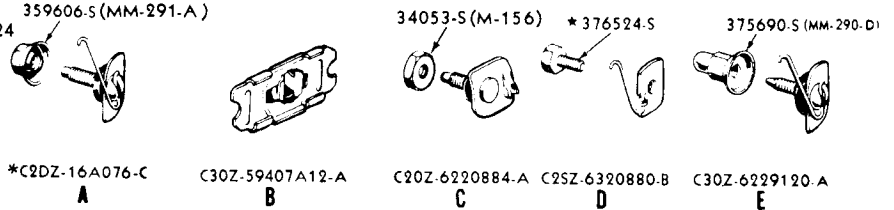
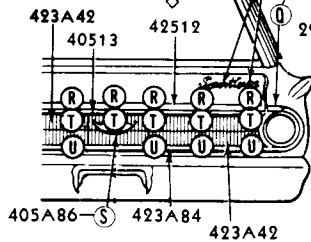
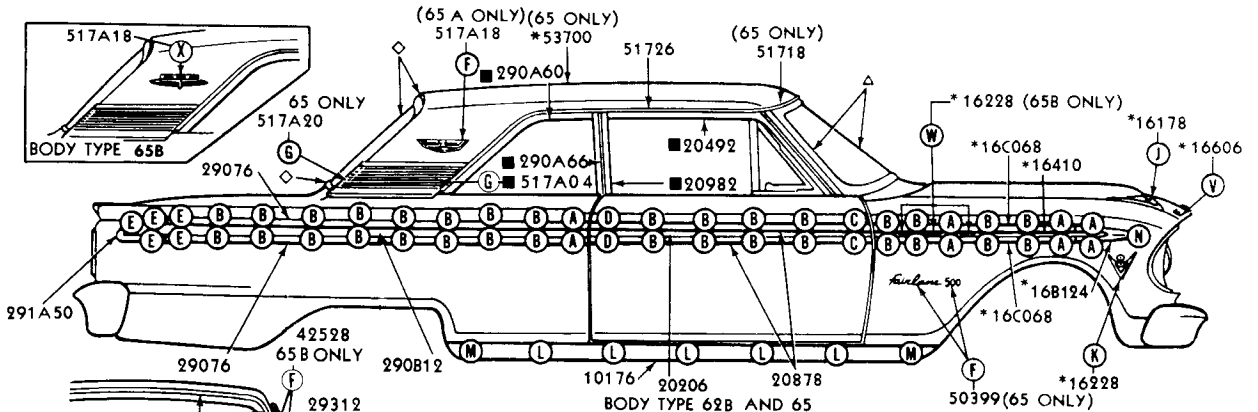
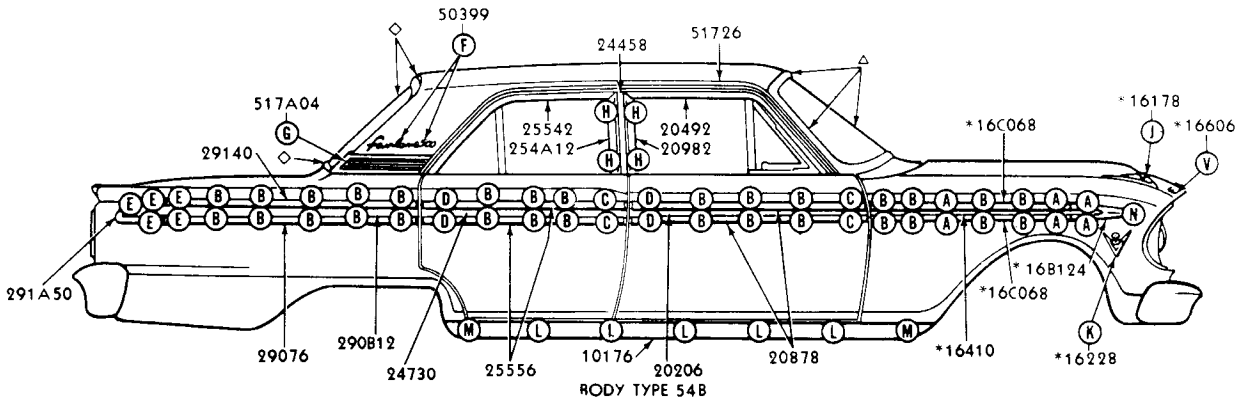


S

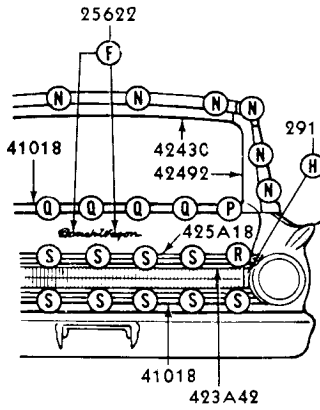
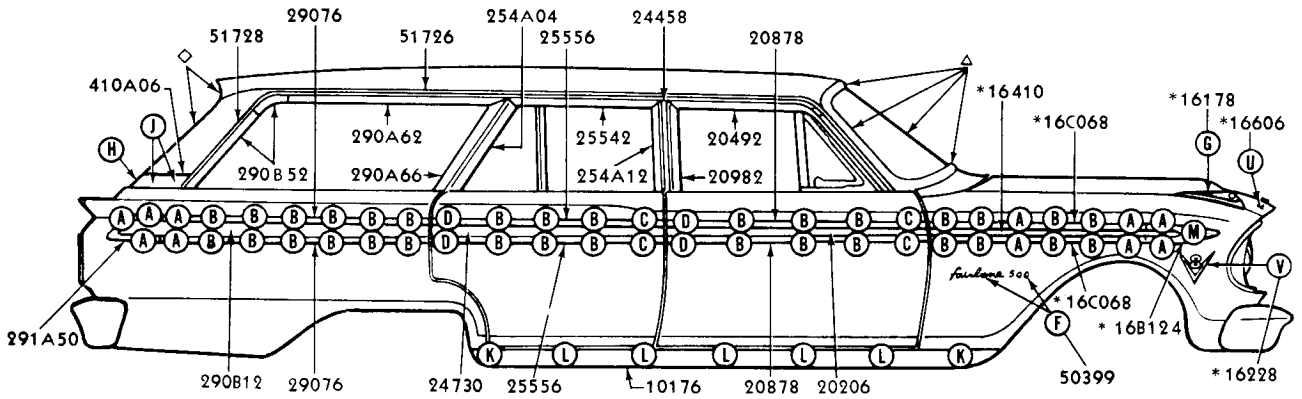


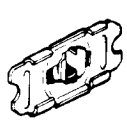
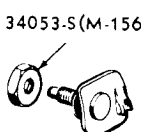
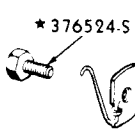



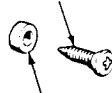
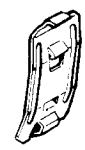
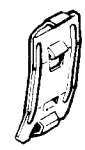
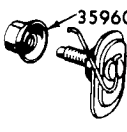







V

△REFER TO BODY ILLUSTRATION SECTION 030
◇REFER TO BODY ILLUSTRATION SECTION 400
*REFER TO GROUP IN CHASSIS SECTION



△ REFER TO BODY ILLUSTRATION SECTION 030
 ◇ REFER TO BODY ILLUSTRATION SECTION 400
 *REFER TO GROUP IN CHASSIS SECTION
 #REFER TO SOFT TRIM SECTION
 ■ BODY TYPE 62B

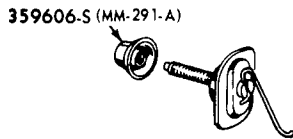
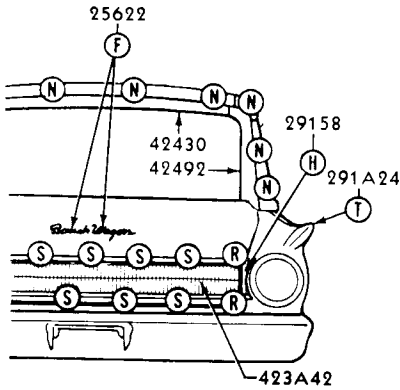
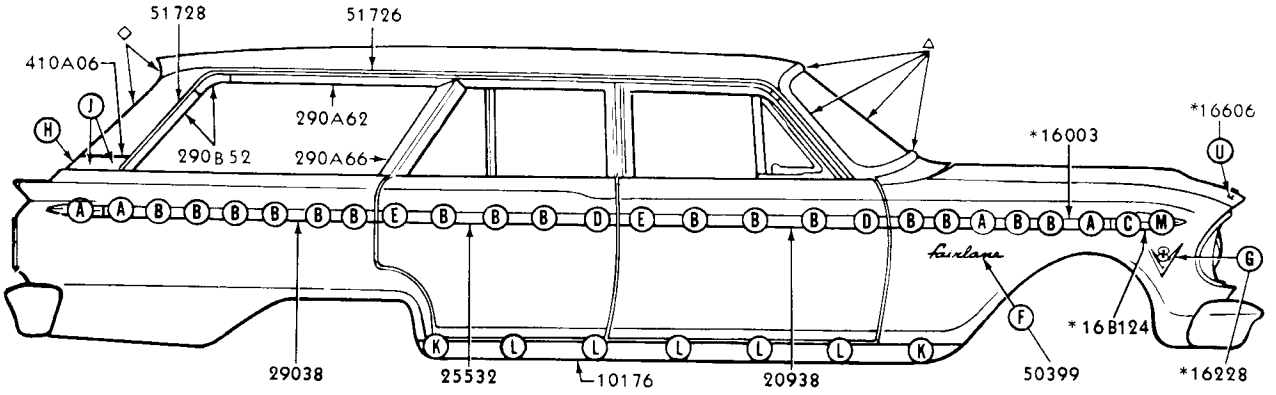


- 359606-S (MM-291-A)  **A**
- *C2DZ-16A076-C  **B**
- 34053-S (M-156)  **C**
- C2SZ-6320880-B  **D**
- 375890-S (MM-222-A)  **E**
- 354397-S (MM-191)  **F**
- 376378-S (UU-97)  **G**
- 359606-S (MM-291-A)  **H**
- *377924-S  **I**
- *C2YB-62102A78-A  **J**
- C2YB-6210182-A  **K**
- 359606-S (MM-291-A)  **L**
- *C30Z-16A076-C  **M**
- 52445-S (U-317)  **N**
- 376390-S (BB-820)  **O**
- C30Z-71407A12-A  **P**
- *376524-S  **Q**
- C30Z-71407A12-B  **R**
- 373265-S (MM-291-D)  **S**
- 375890-S (MM-222-A)  **T**
- 375480-S (MM-222-E)  **U**
-  **V**

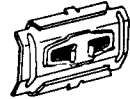
△ REFER TO BODY ILLUSTRATION SECTION 030

◇ REFER TO BODY ILLUSTRATION SECTION 400

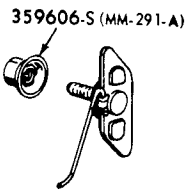
*REFER TO GROUP IN CHASSIS SECTION



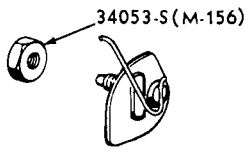
C3MY-16A076-A
A



C3MY-6229108-A
B



*C30Z-16A076-A
C



C30Z-6221094-A
D



*376524-S
E



375890-S
(MM-222-A)
F



375480-S
(MM-222-E)
G



376378-S (UU-97)
H



359606-S
(MM-291-A)
J

*377924-S

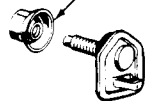


*C2YB-62102A78-A
K



C2YY-6210182-A
L

359606-S (MM-291-A)



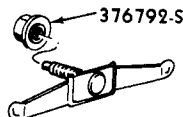
*C30Z-16A076-B
M



52445-S (U-317)
N



376792-S (MM-191-D)
R



C30Z-7142527-A
S



373265-S
(MM-291-E)
T

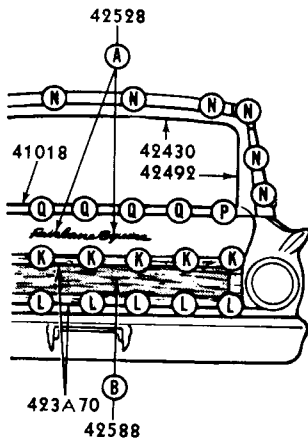
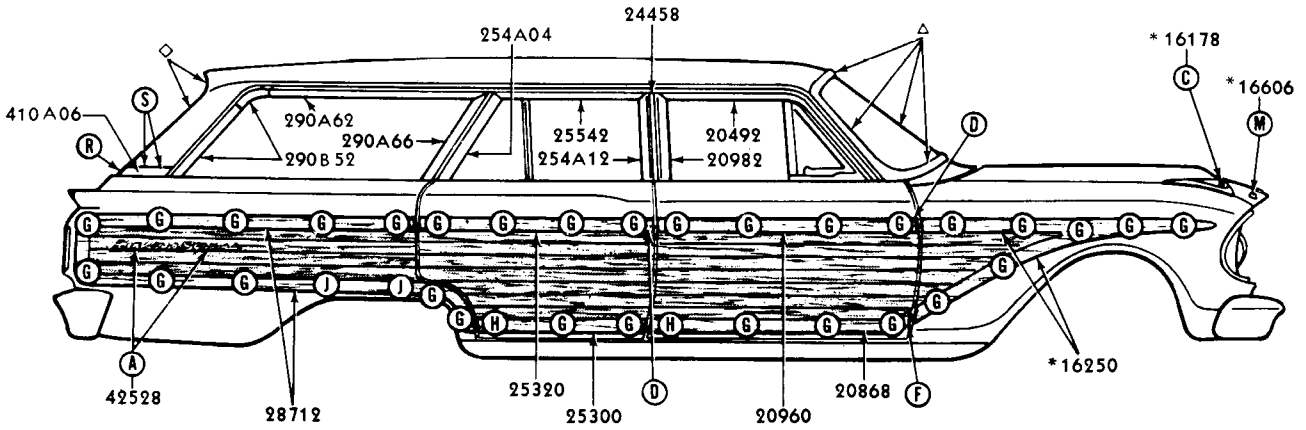


375890-S
(MM-222-A)
U

△ REFER TO BODY ILLUSTRATION SECTION 030

◇ REFER TO BODY ILLUSTRATION SECTION 400
*REFER TO GROUP IN CHASSIS SECTION

P-4011



375890-S (MM-222-A)
A



376389-S (UU-82-D)
B



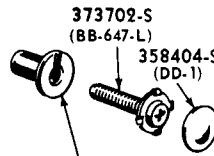
354397-S (MM-191)
C



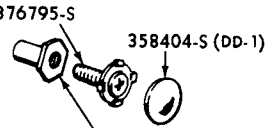
376599-S (UU-97)
D



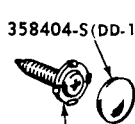
350754-S (UU-86)
F



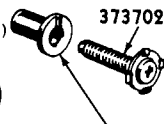
373702-S (BB-647-L)
B9AB-7150108-C
G



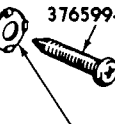
*376795-S
373181-S (MM-216)
H



358404-S (DD-1)
376599-S (UU-81-D)
J



373702-S (BB-647-L)
358404-S (DD-1)
B9AB-7150108-B
K



376599-S (UU-81-D)
358404-S (DD-1)
358403-S (GG-54)
L



375890-S (MM-222-A)
M



52445-S (U-317)
N



376390-S (BB-820)
P



C30Z-71407A12-A
Q



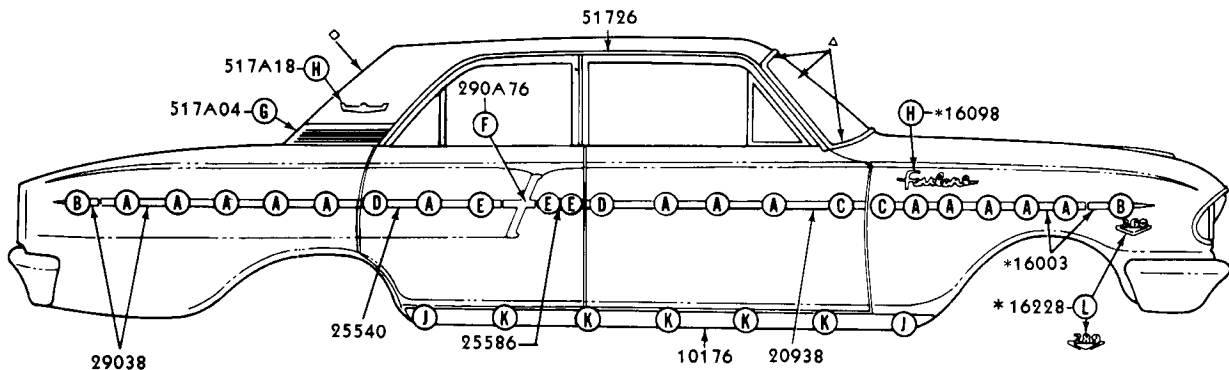
376378-S (UU-97)
R



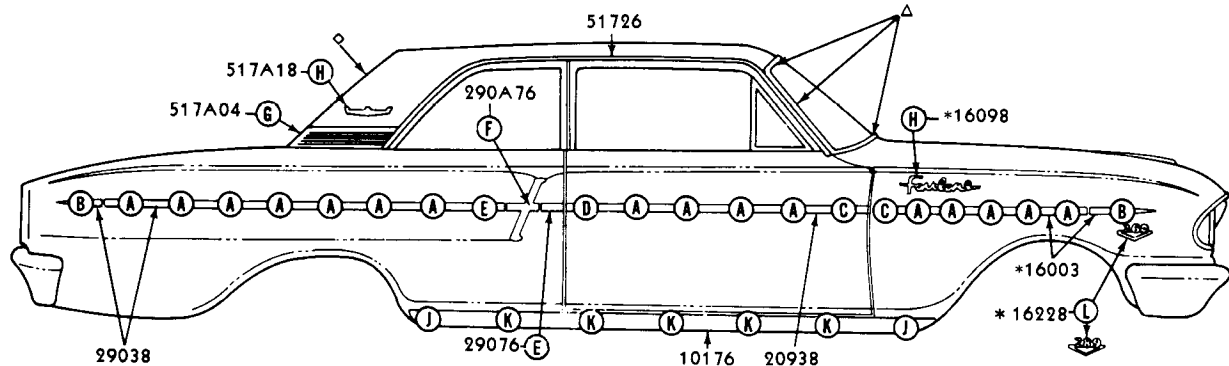
359606-S (MM-291-A)
S

SIDE WALNUT GRAIN TRANSFER C30Z-7120748-A
TAIL GATE WALNUT GRAIN TRANSFER C30Z-7140722-A
FUEL FILLER LID TRANSFER C30Z-71405A02-A

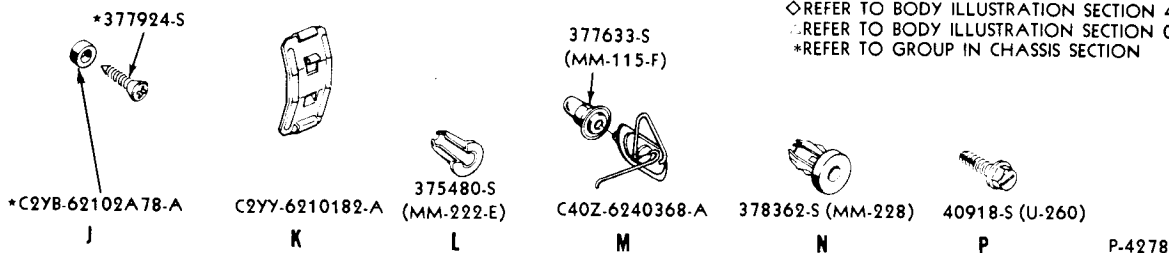
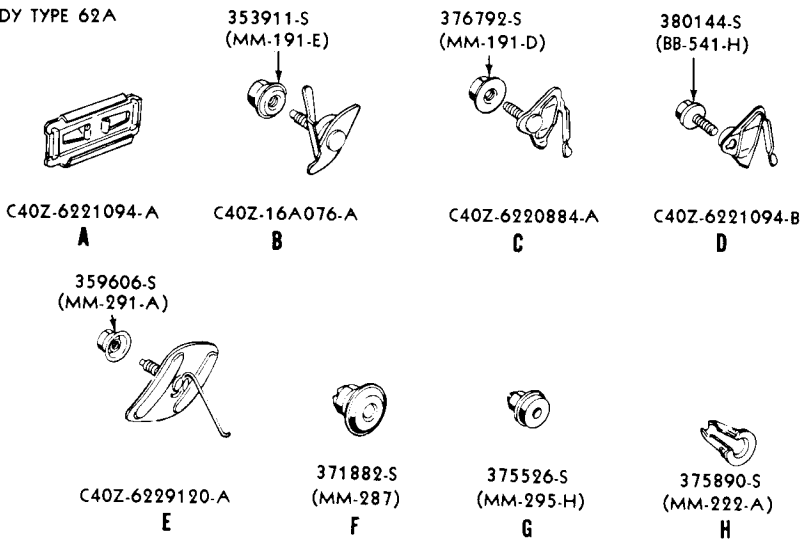
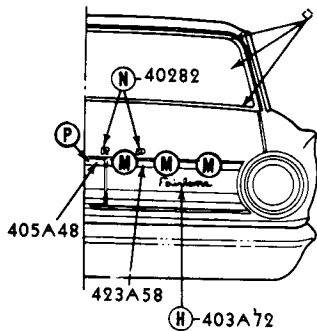
*REFER TO GROUP IN CHASSIS SECTION
△ REFER TO BODY ILLUSTRATION SECTION 030
◇ REFER TO BODY ILLUSTRATION SECTION 400



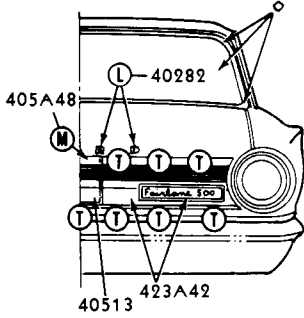
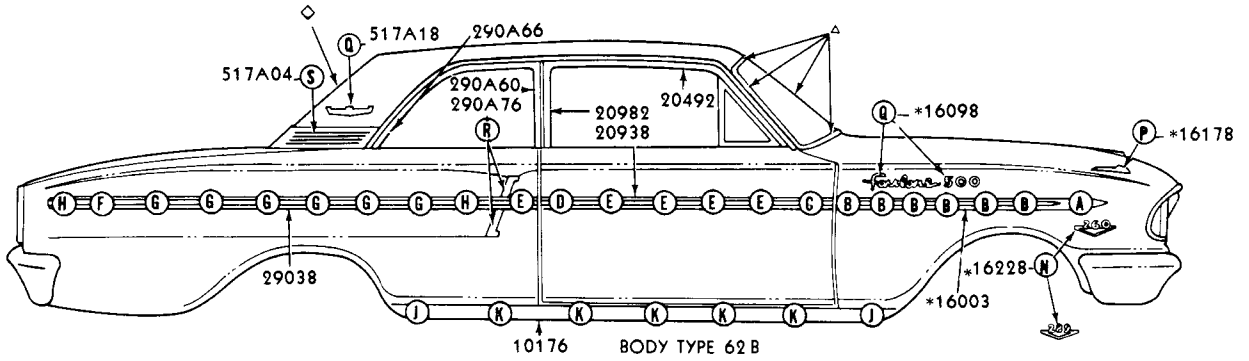
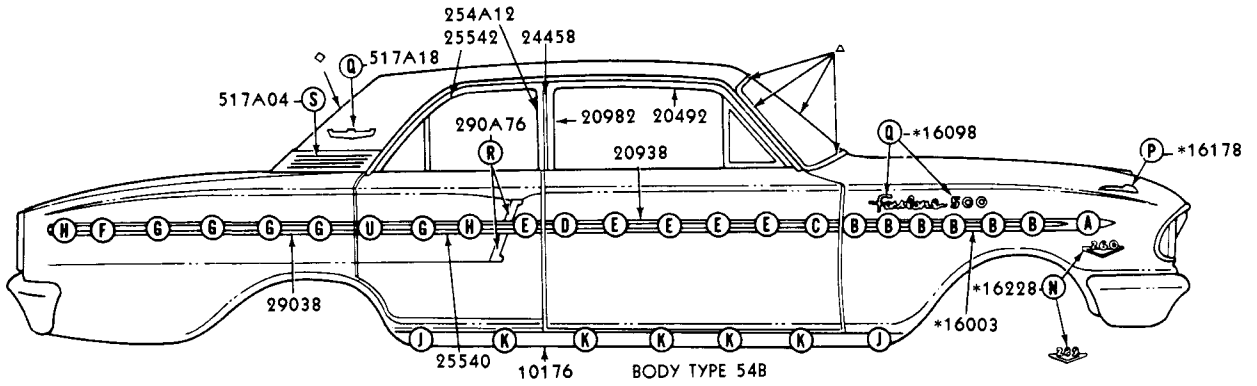
BODY TYPE 54A



BODY TYPE 62A



◇ REFER TO BODY ILLUSTRATION SECTION 400
 ○ REFER TO BODY ILLUSTRATION SECTION 030
 * REFER TO GROUP IN CHASSIS SECTION



- 353911-S
(MM-191-E)

C40Z-6229120-A
A
- 353911-S
(MM-191-E)

C40Z-16A076-B
B
- 376792-S
(MM-191-D)

C40Z-6220884-B
C
- 376792-S
(MM-191-D)

C40Z-6220880-A
D
- 359606-S
(MM-291-A)

C40Z-6221094-C
E

- 359606-S (MM-291-A)

C40Z-6229120-C
F
- C40Z-6229120-B
G
- 359606-S (MM-291-A)

*378419-S
H
- *377924-S

*C2YB-62102A78-A
J
- C2YY-6210182-A
K
- 378362-S (MM-228)

L
- 40918-S (U-260)

M

- 375890-S
(MM-222-A)

N
- 375480-S
(MM-222-E)

P
- 359606-S
(MM-291-A)

Q
- 371882-S
(MM-287)

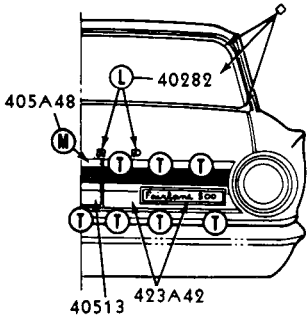
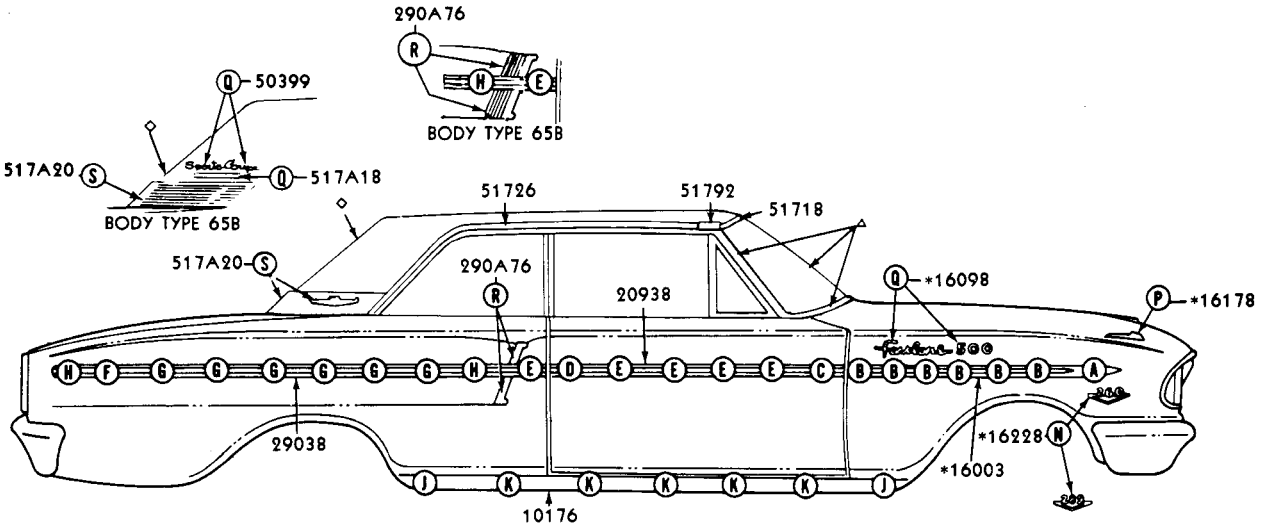
R
- 375526-S
(MM-295-H)

S
- 377633-S
(MM-115-F)

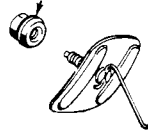
*378419-S
T
- 376792-S (MM-191-D)

C40Z-5425562-A
U

◇REFER TO BODY ILLUSTRATION SECTION 400
 △REFER TO BODY ILLUSTRATION SECTION 030
 *REFER TO GROUP IN CHASSIS SECTION

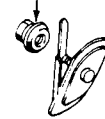


353911-S
(MM-191-E)



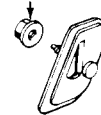
C40Z-6229120-A
A

353911-S
(MM-191-E)



C40Z-16A076-B
B

376792-S
(MM-191-D)



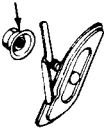
C40Z-6220884-B
C

376792-S
(MM-191-D)



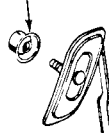
C40Z-6220880-A
D

359606-S
(MM-291-A)



C40Z-6221094-C
E

359606-S
(MM-291-A)

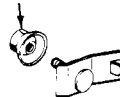


C40Z-6229120-C
F



C40Z-6229120-B
G

359606-S
(MM-291-A)



*378419-S
H



*C2YB-62102A78-A
J



C2YY-6210182-A
K

378362-S
(MM-228)



L

40918-S
(U-260)



M

375480-S
(MM-222-E)



N

359606-S
(MM-291-A)



P

375890-S
(MM-222-A)



Q

371882-S
(MM-287)



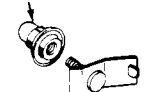
R

375526-S
(MM-295-H)



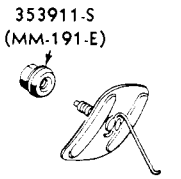
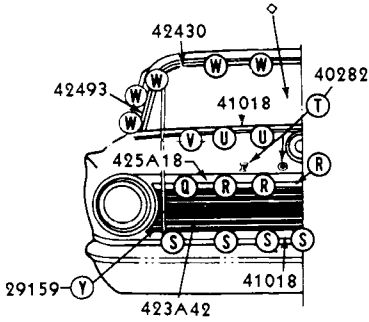
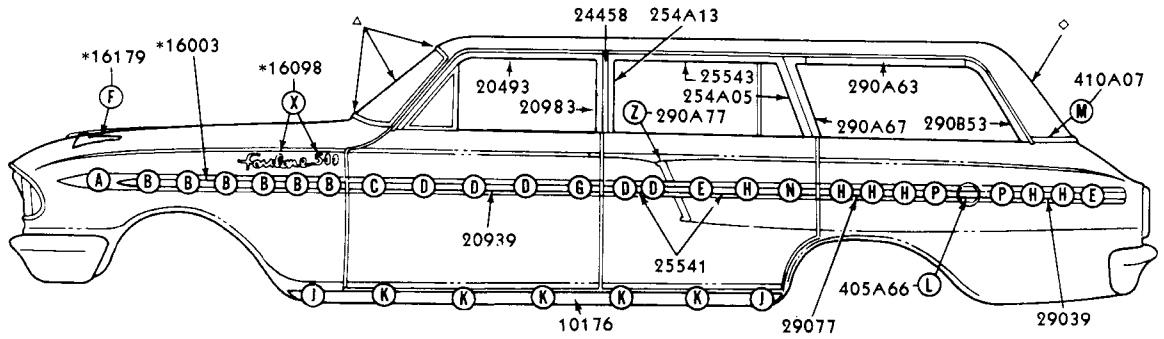
S

377633-S
(MM-115-F)

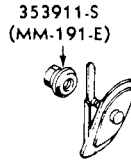


*378419-S
T

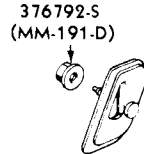
△REFER TO BODY ILLUSTRATION SECTION 030
◇REFER TO BODY ILLUSTRATION SECTION 400
*REFER TO GROUP IN CHASSIS SECTION



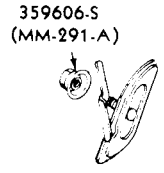
C40Z-6229120-A
A



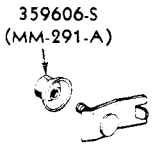
C40Z-16A076-B
B



C40Z-6220884-B
C



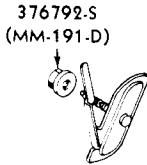
C40Z-6221094-C
D



*378419-S
E



F



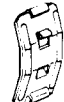
C40Z-6220880-A
G



C40Z-6229120-B
H



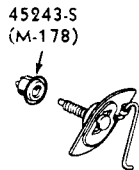
*C2YB-62102A78-A



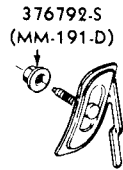
C2YY-6210182-A



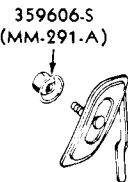
*40904-S
L



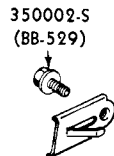
C30Z-71410A30-A
M



C40Z-5425562-A
N



C40Z-6229120-C
P



C40Z-7142527-A
Q



C20Z-16A076-A
R



C40Z-7142527-B
S



378362-S (MM-228)
T



C30Z-71407A12-A
U



376390-S (BB-820)
V



52445-S (U-317)
W



375890-S (MM-222-A)
X

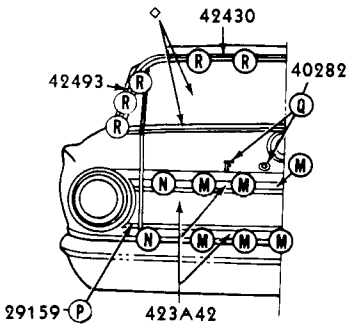
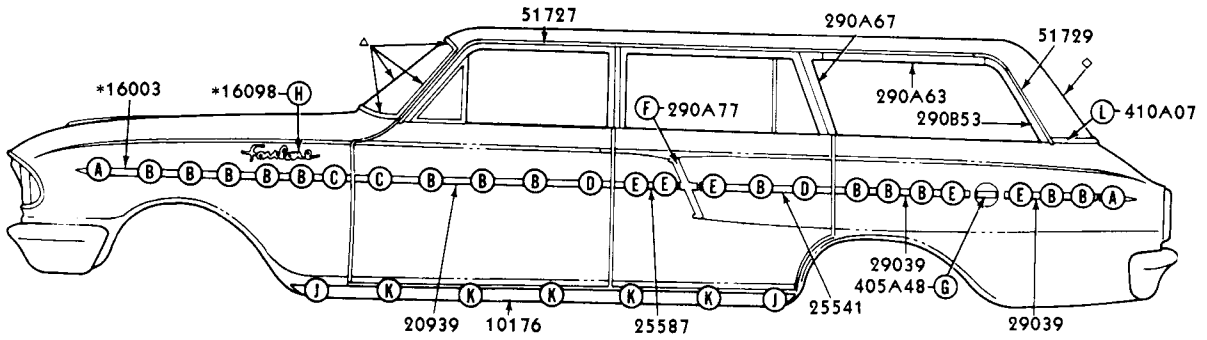


376378-S (UU-97)
Y



371882-S (MM-287)
Z

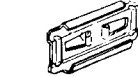
△REFER TO BODY ILLUSTRATION SECTION 030
 ◇REFER TO BODY ILLUSTRATION SECTION 400
 *REFER TO GROUP IN CHASSIS SECTION



353911-S
(MM-191-E)

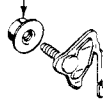


*C40Z-16A076-A
A



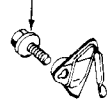
C40Z-6221094-A
B

376792-S
(MM-191-D)



C40Z-6220884-A
C

380144-S
(BB-541-H)



C40Z-6221094-B
D

353911-S
(MM-191-E)



C40Z-6229120-A
E



371882-S
(MM-287)
F



40917-S
(U-257)
G



375890-S
(MM-222-A)
H

*377924-S

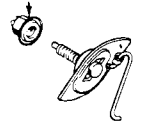


*C2YB-62102A78-A
J



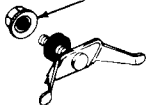
C2YY-6210182-A
K

45243-S
(M-178)



C30Z-71410A30-A
L

376792-S
(MM-191-D)



C30Z-7142527-A
M



350002-S
(BB-529)
N



376378-S
(UU-97)
P



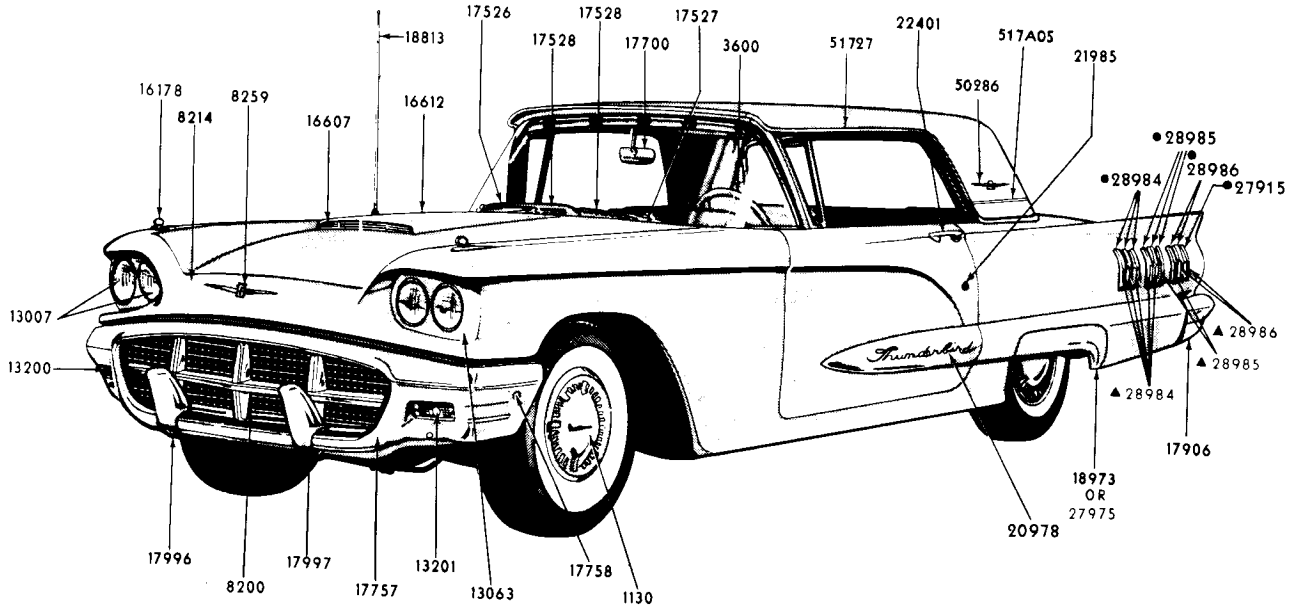
378362-S
(MM-228)
Q



52445-S
(U-317)
R

△REFER TO BODY ILLUSTRATION SECTION 030
◇REFER TO BODY ILLUSTRATION SECTION 400
*REFER TO GROUP IN CHASSIS SECTION

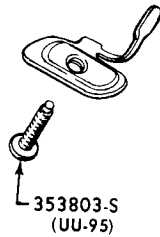
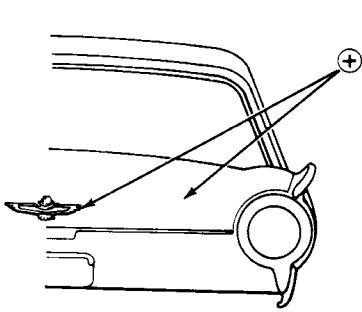
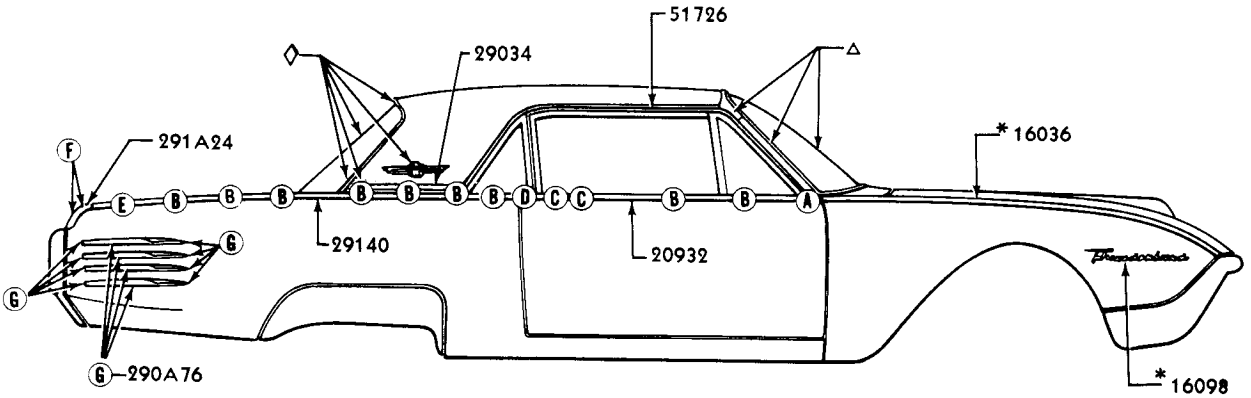
P-4285



● BEFORE 4/15/60 ▲ FROM 4/15/60

P-3163

1960 THUNDERBIRD



* C15B-6320232-A

A



C1AB6229144-A

B



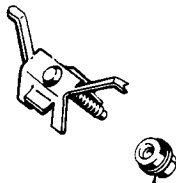
353911-S
(MM-191-E)

C



354146-S
(UU-96)

D



353911-S
(MM-191-E)
C1SZ-16A076

E



354397-S (MM-291)

F



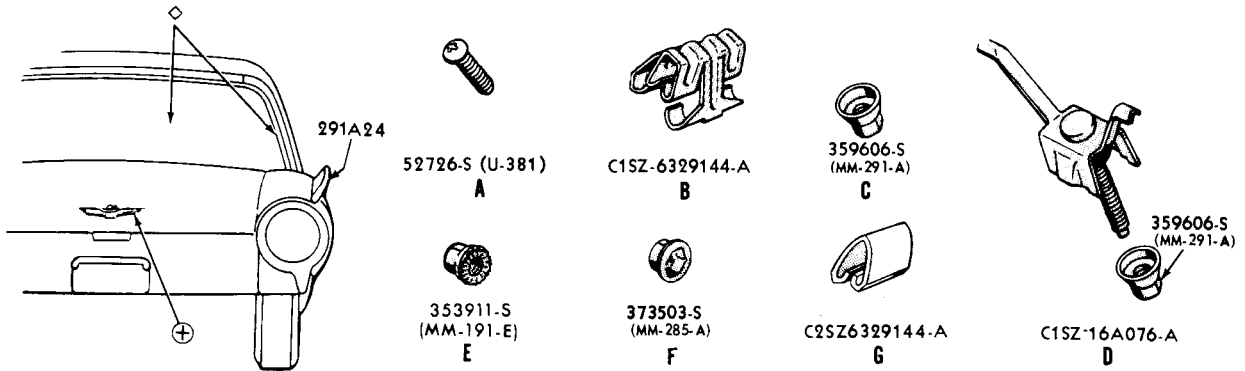
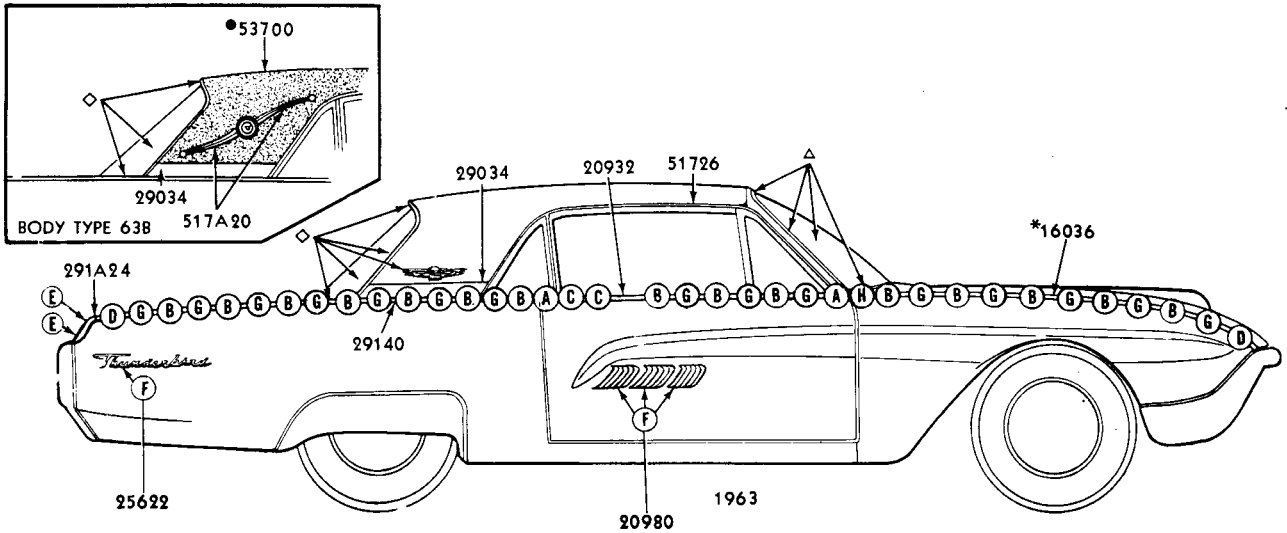
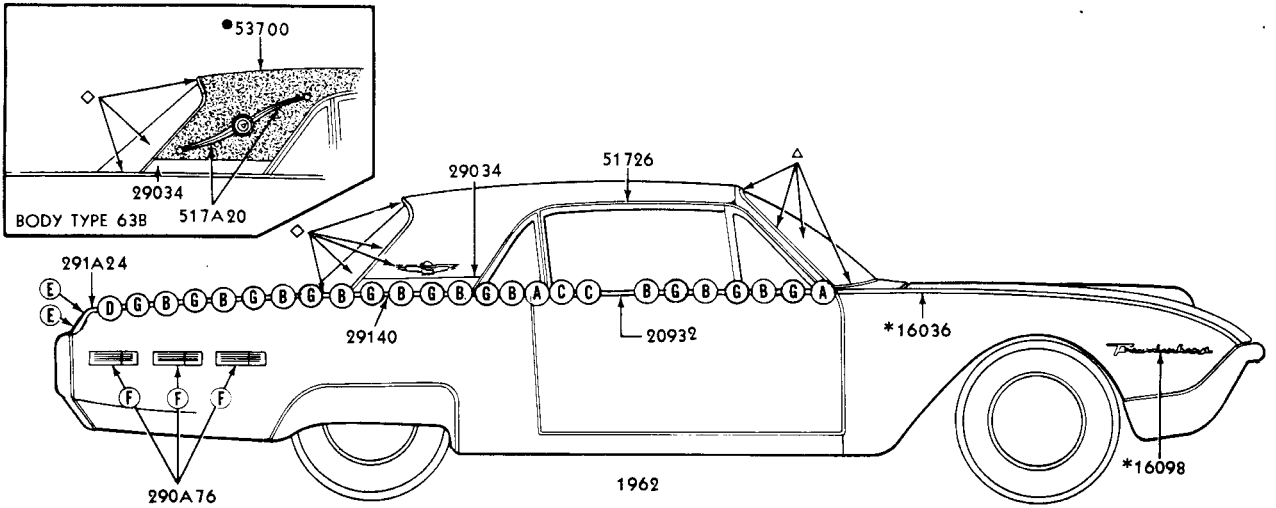
373504-S
(MM-285-B)

G

* REFER TO GROUP IN CHASSIS SECTION
△ REFER TO BODY ILLUSTRATION SECTION 030

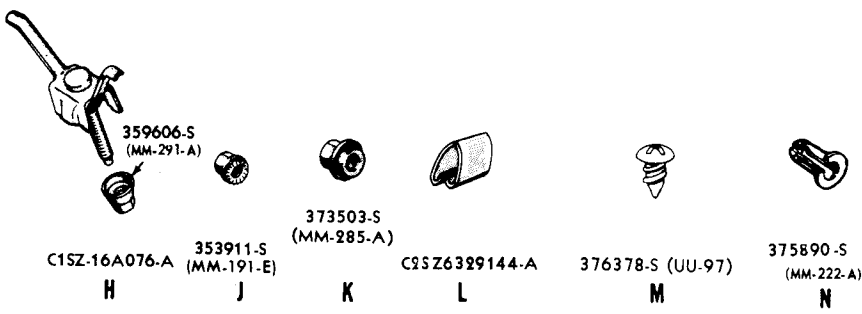
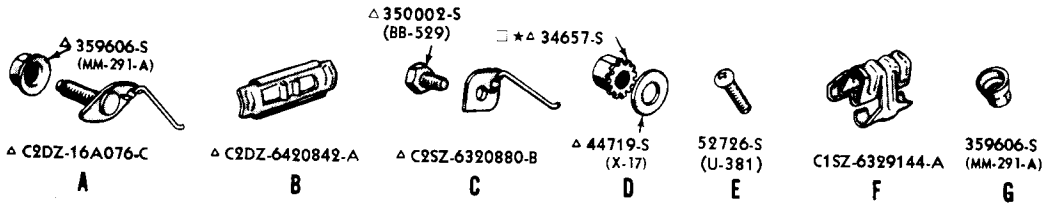
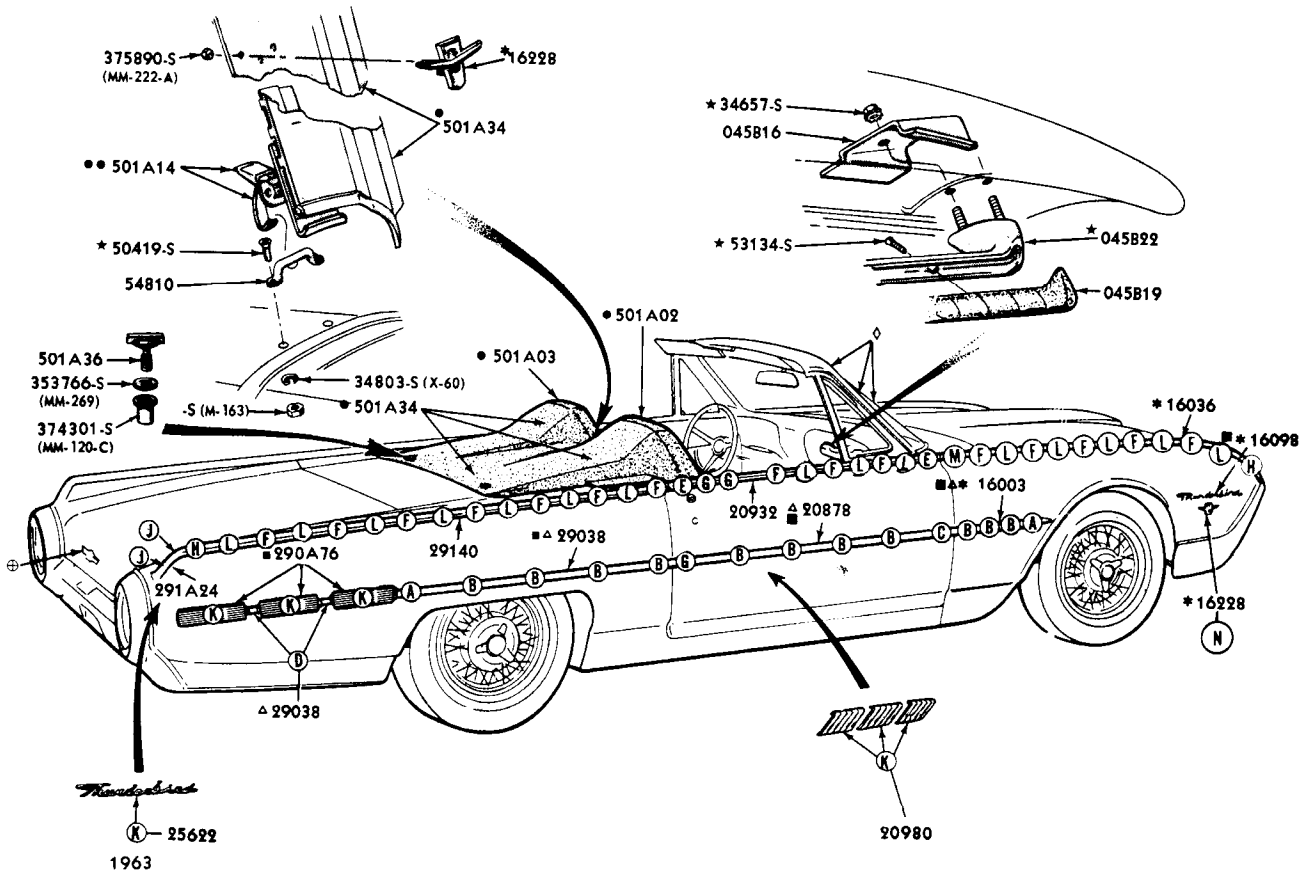
◇ REFER TO BODY ILLUSTRATION SECTION 400
⊕ REFER TO BODY ILLUSTRATION SECTION 430

P-3320

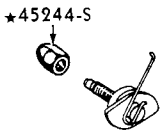
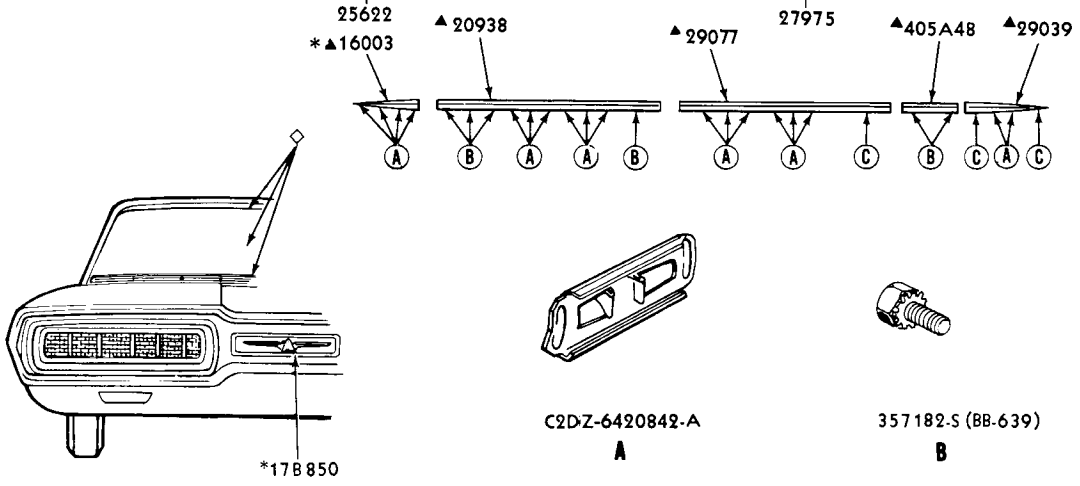
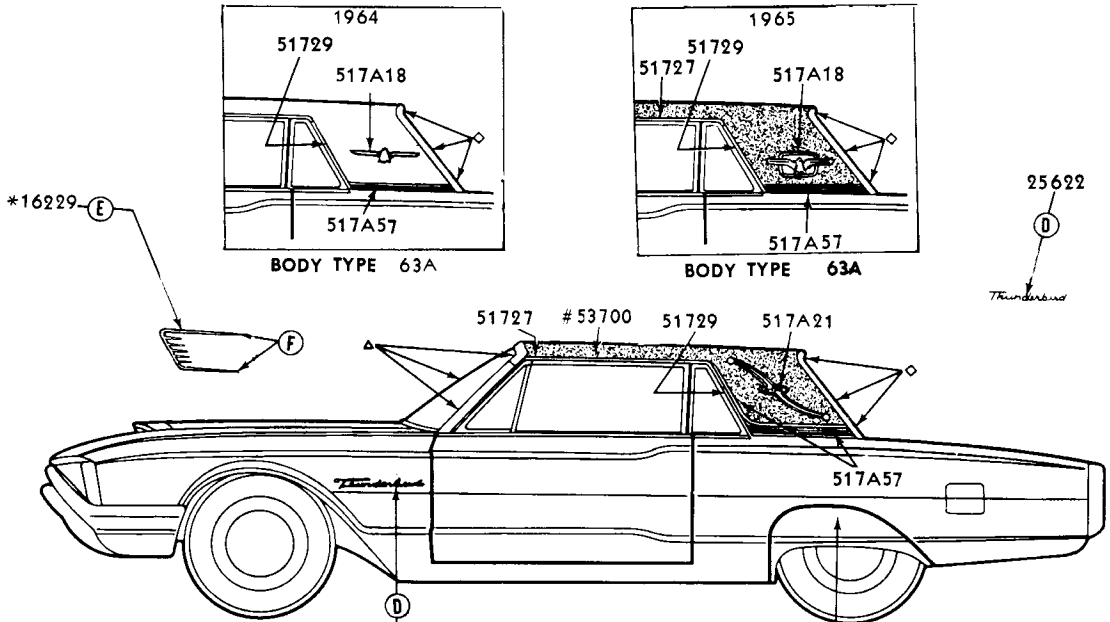


- * REFER TO GROUP IN CHASSIS SECTION
- △ REFER TO BODY ILLUSTRATION SECTION 030
- ◇ REFER TO BODY ILLUSTRATION SECTION 400
- ⊕ REFER TO BODY ILLUSTRATION SECTION 430
- REFER TO SOFT TRIM SECTION

- 376378-S (UU-97)
- H



- 1962 ONLY
- * REFER TO GROUP IN CHASSIS SECTION
- ◇ REFER TO BODY ILLUSTRATION SECTION 030
- REFER TO SOFT TRIM SECTION
- FOR SERVICE USE 33795-S7(MM-49) & 34940-S7-8(X-88)
- △ ALSO INCLUDED IN SIDE SPORTS TRIM KIT 20000
- ALSO INCLUDED WITH 501A34
- ⊕ REFER TO BODY ILLUSTRATION SECTION 430



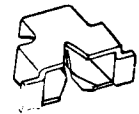
*C2DZ-16A076-C
C



375890-S (MM-222-A)
D



C5SZ-16D070-A
E

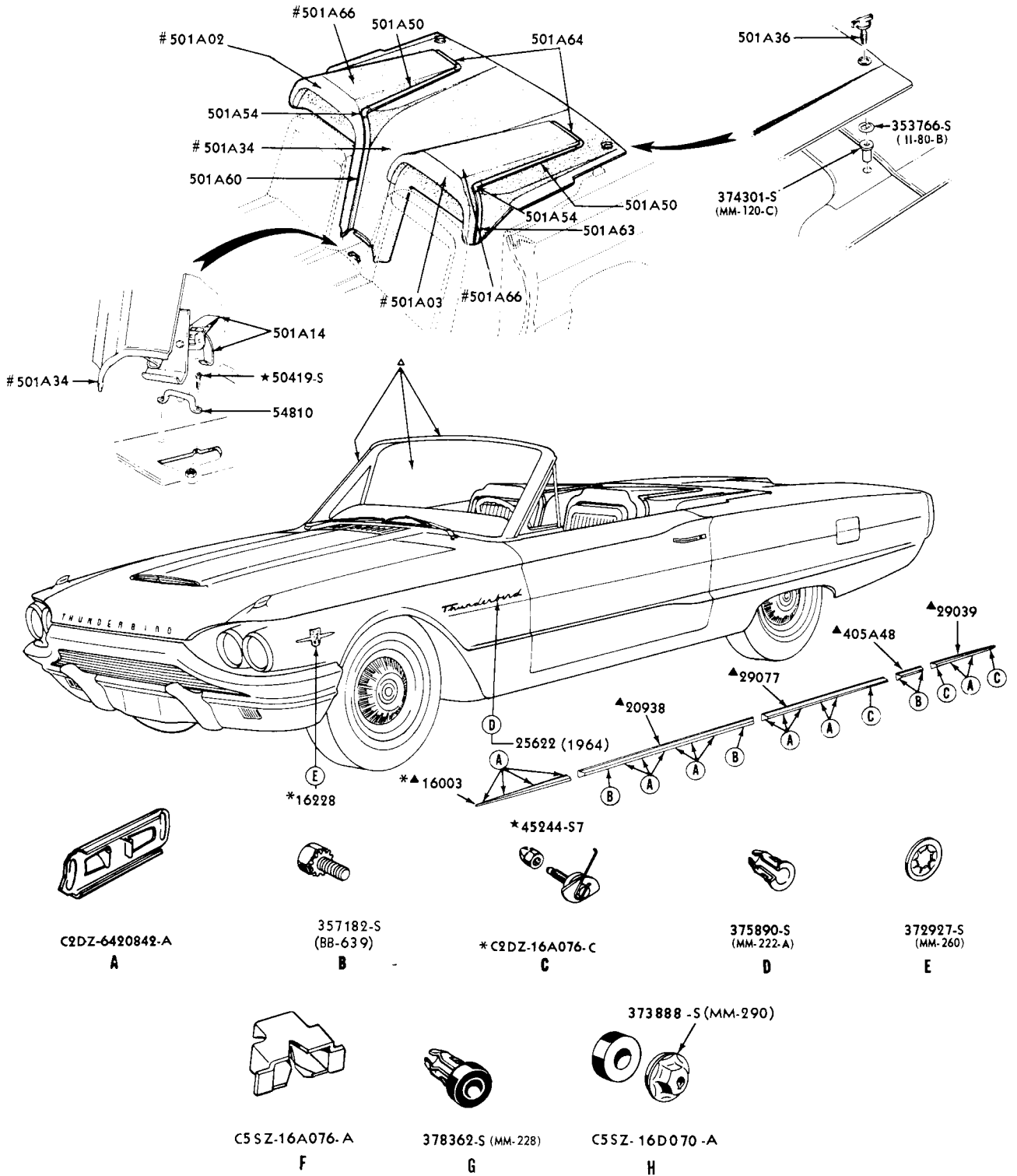


C5SZ-16A076-A
F



378362-S (MM-228)
G

▲ REFER TO BODY ILLUSTRATION SECTION 030
◇ REFER TO BODY ILLUSTRATION SECTION 400
REFER TO SOFT TRIM SECTION
▲ ALSO SUPPLIED IN 21048 BODY SIDE MOULDING KIT
* REFER TO GROUP IN CHASSIS SECTION



C2DZ-6420842-A
A

357182-S (BB-639)
B

*C2DZ-16A076-C
C

375890-S (MM-222-A)
D

372927-S (MM-260)
E

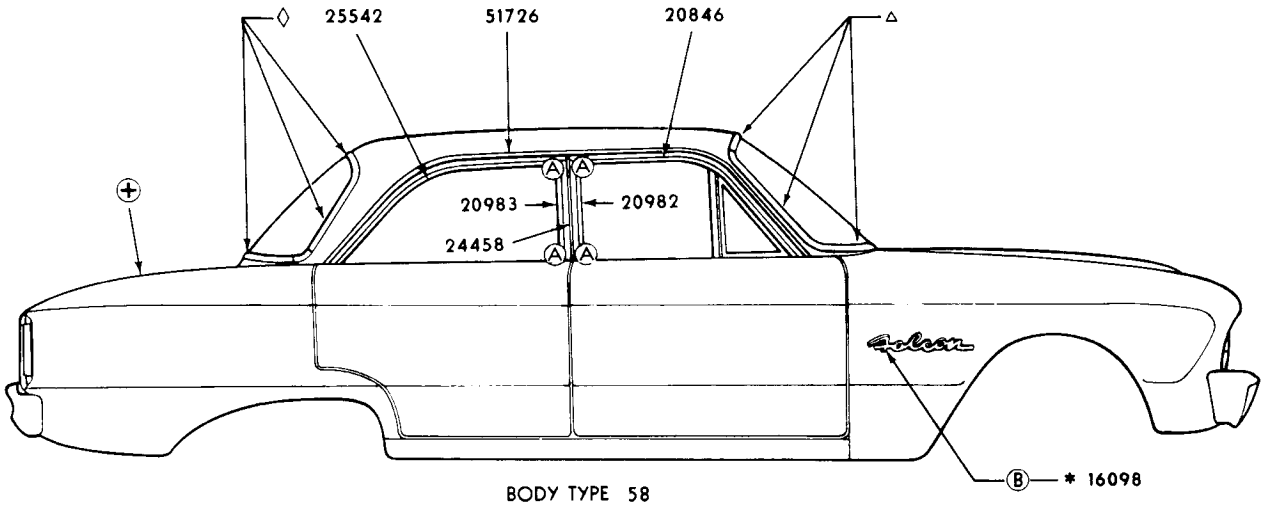
C5SZ-16A076-A
F

378362-S (MM-228)
G

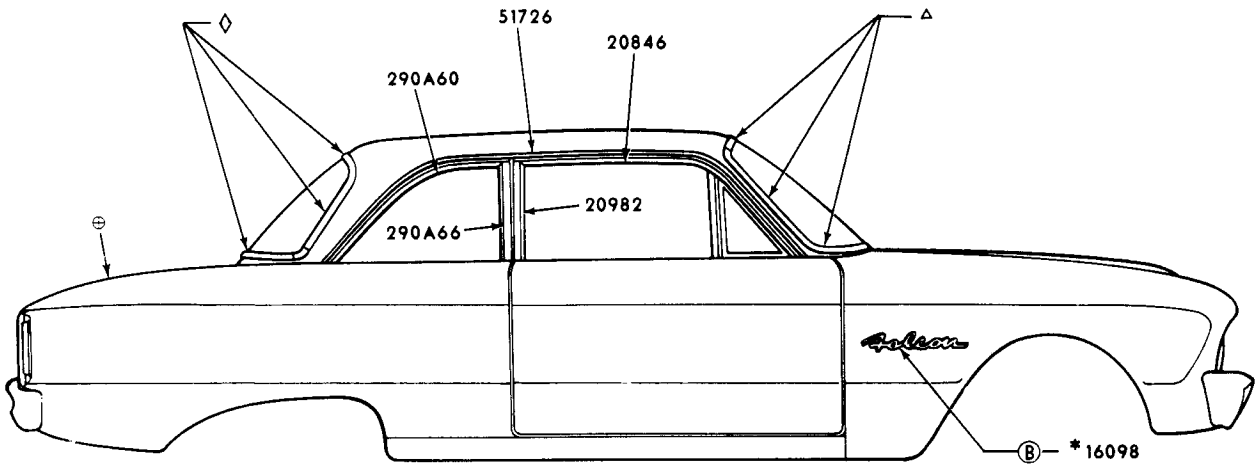
C5SZ-16D070-A
H

373888-S (MM-290)

▲ REFER TO BODY ILLUSTRATION SECTION 030
 ○ REFER TO BODY ILLUSTRATION SECTION 400
 # REFER TO SOFT TRIM SECTION
 ▲ ALSO SUPPLIED IN C4SZ-6321048-A BODY SIDE MOULDING KIT
 * REFER TO GROUP IN CHASSIS SECTION



BODY TYPE 58



BODY TYPE 64



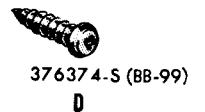
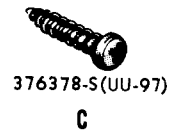
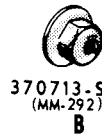
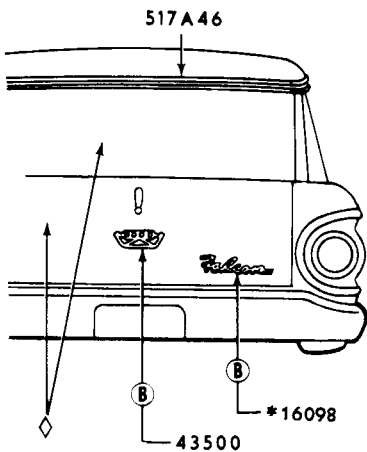
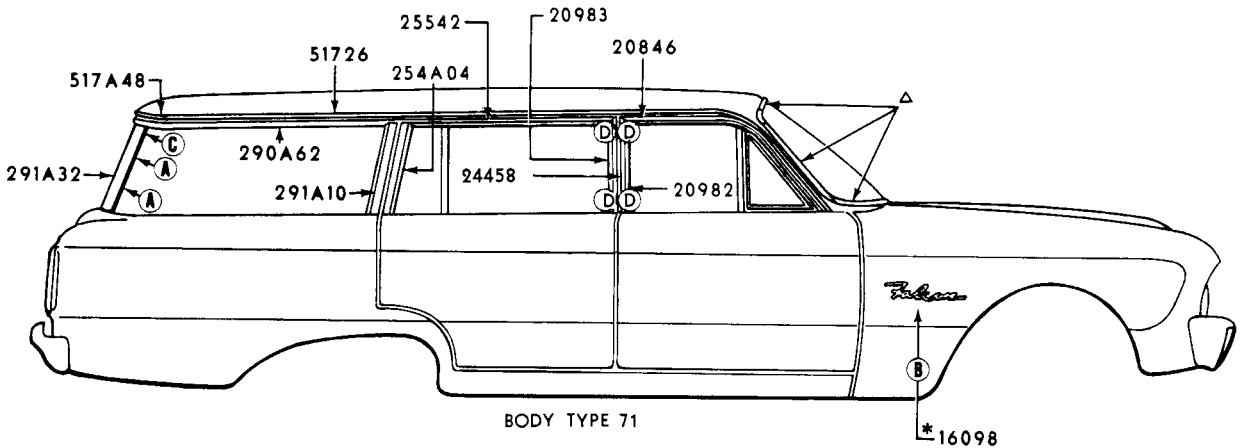
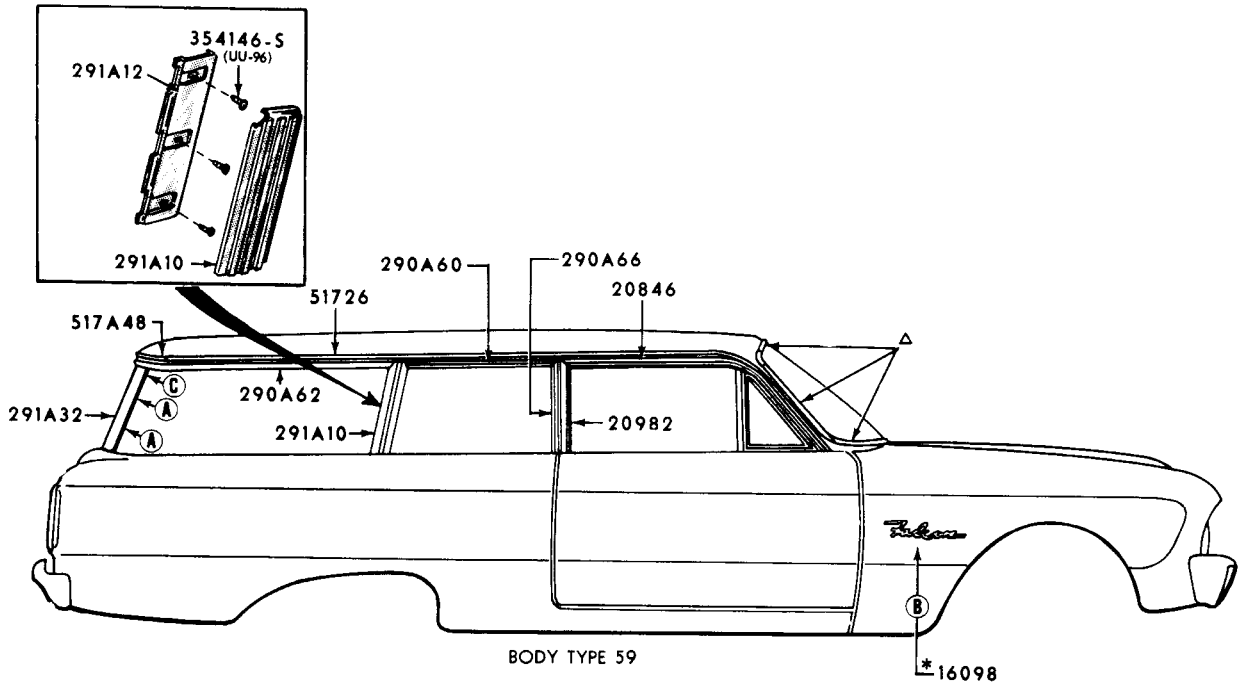
52336-S
(U-288) A



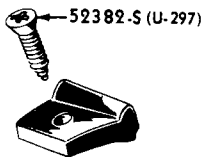
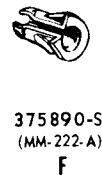
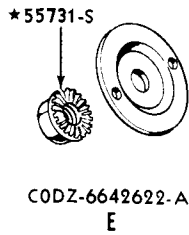
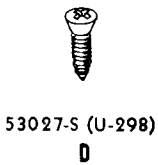
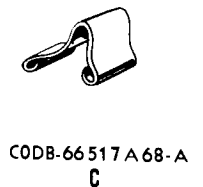
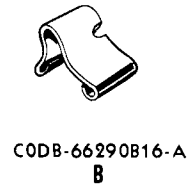
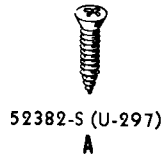
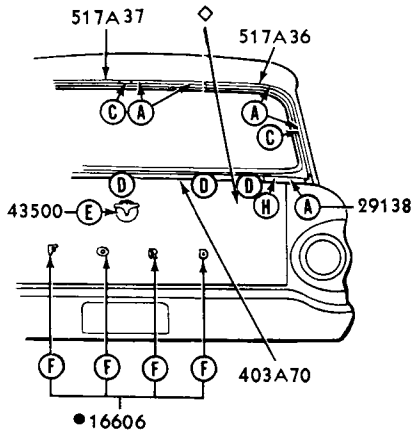
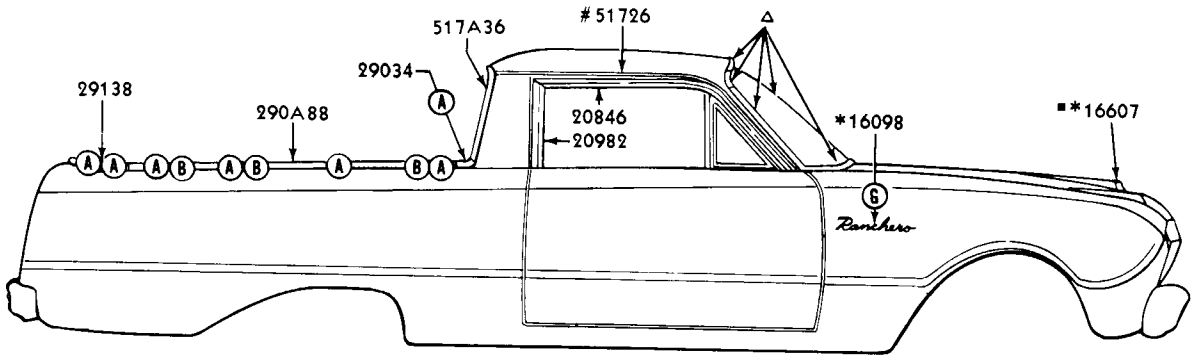
370713-S
(MM-292) B

* REFER TO GROUP IN CHASSIS SECTION
△ REFER TO BODY ILLUSTRATION SECTION 030

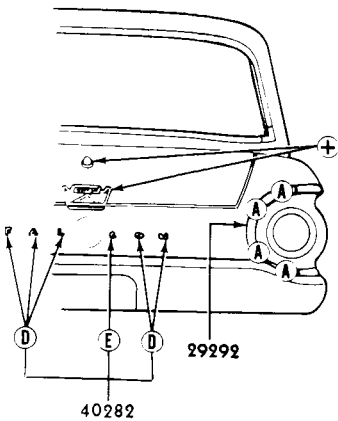
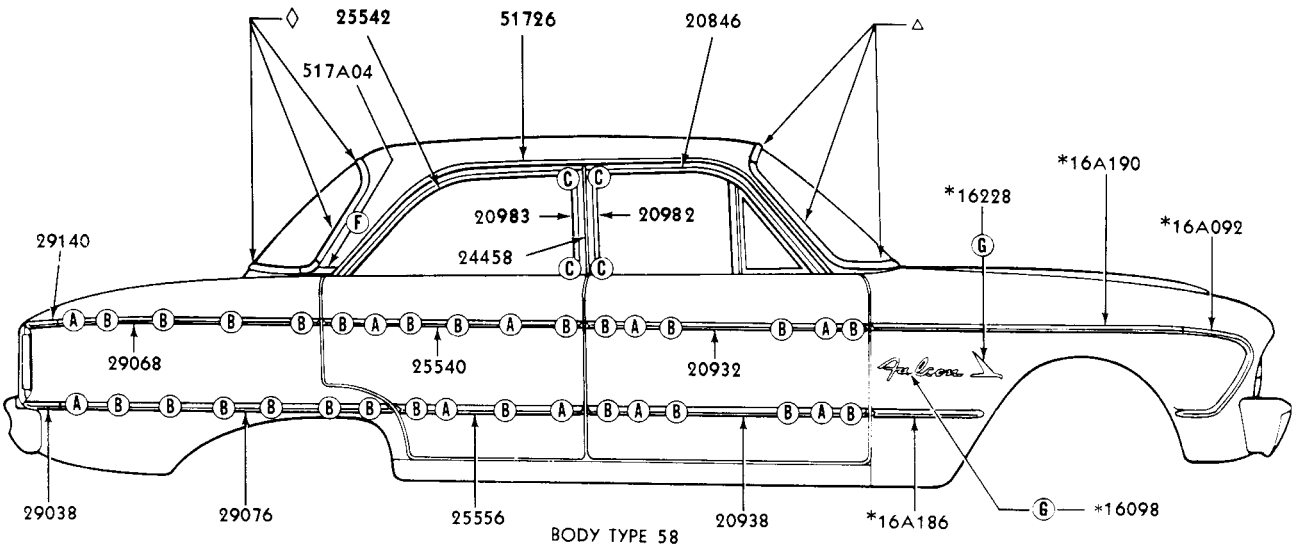
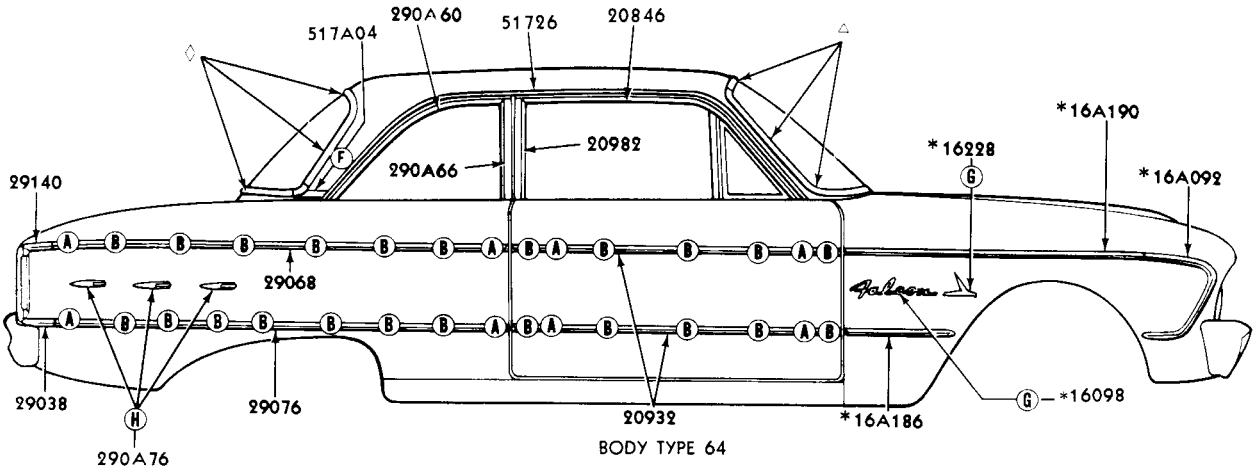
◇ REFER TO BODY ILLUSTRATION SECTION 400
⊕ REFER TO BODY ILLUSTRATION SECTION 430



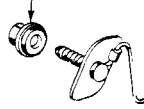
* REFER TO GROUP IN CHASSIS SECTION
 ▲ REFER TO BODY ILLUSTRATION SECTION 030
 ◇ REFER TO BODY ILLUSTRATION SECTION 400



* REFER TO GROUP IN CHASSIS SECTION
 Δ REFER TO BODY ILLUSTRATION SECTION 030
 ◇ REFER TO BODY ILLUSTRATION SECTION 400
 # USED ON 1963 X(668) "FROM 6/19/63"
 ■ USE FOR 1962-3 ONLY

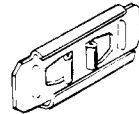


353911-S (MM-191-E)



C2DZ-16A076-C

A



C2OZ-16A076-A

B



52336-S (U-288)

C



374046-S (MM-116)

D



353577-S (MM-222)

E



*C0DB 64517A60-A

F



370713-S
(MM-292)

G

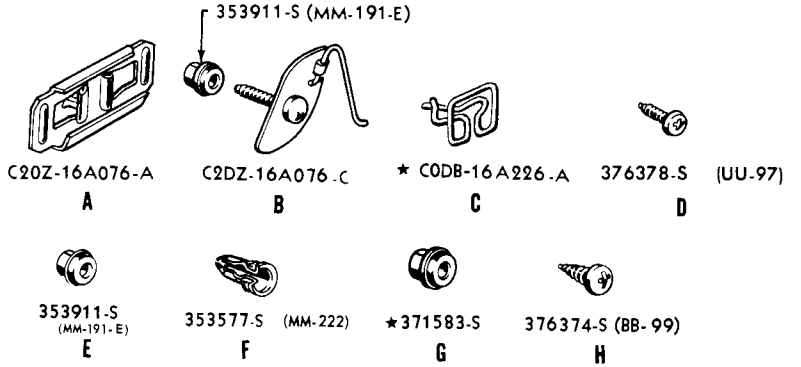
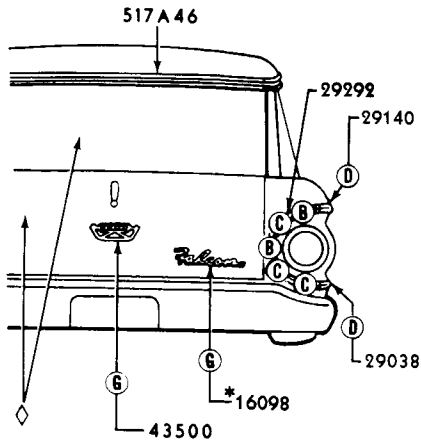
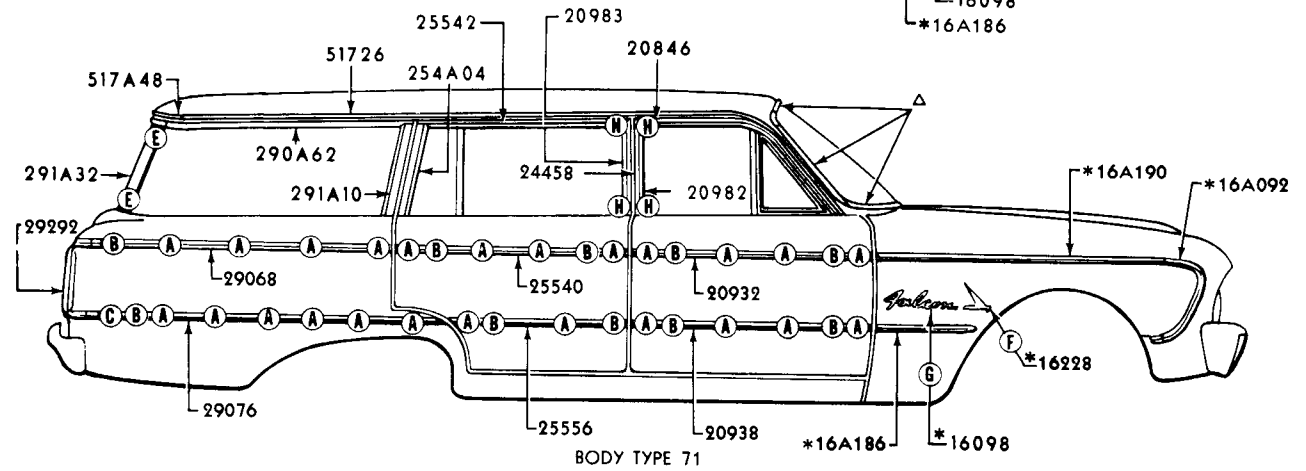
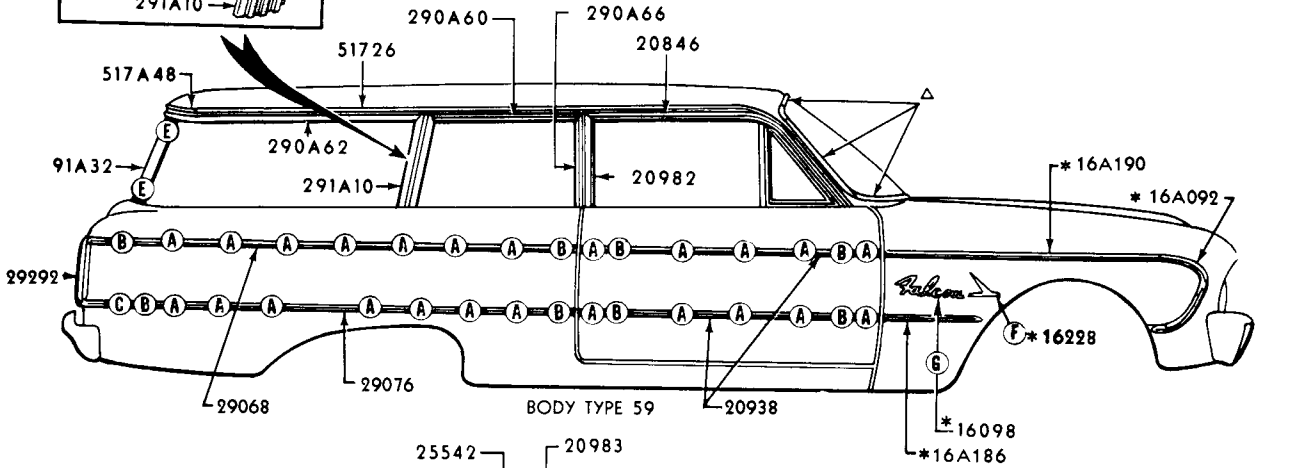
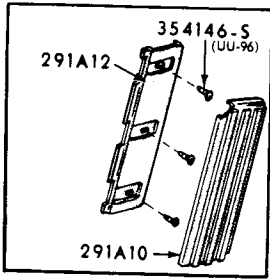


373504-S
(MM-285-B)

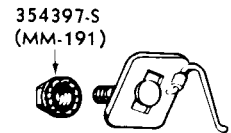
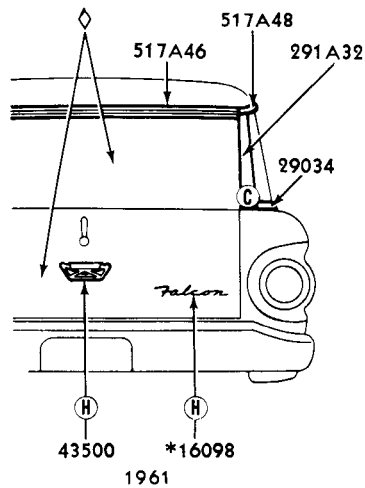
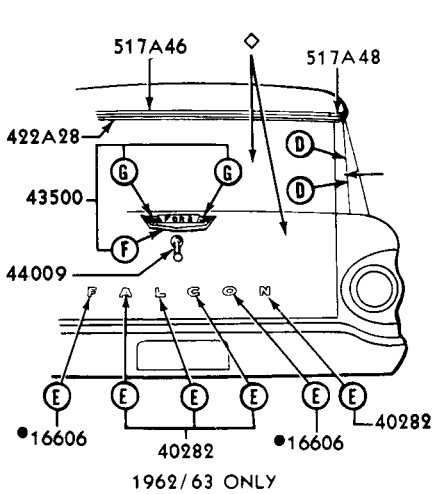
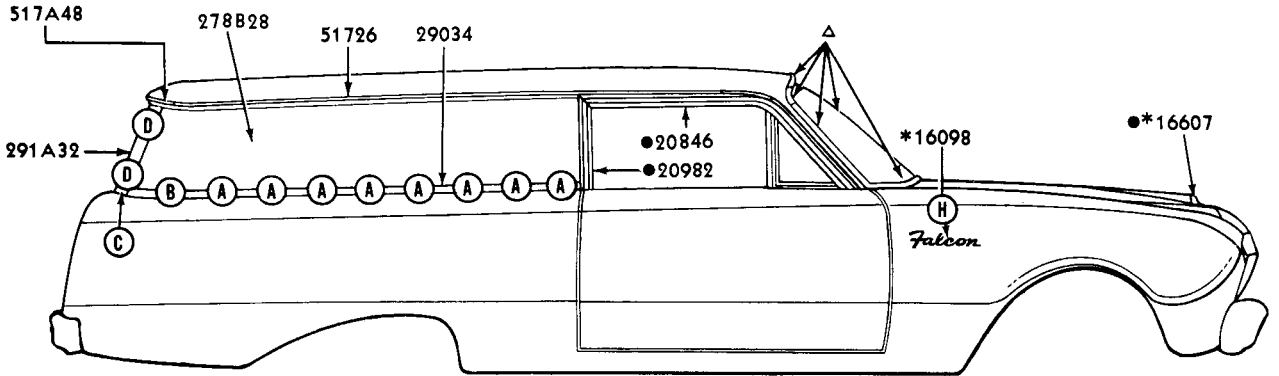
H

* REFER TO GROUP IN CHASSIS SECTION
△ REFER TO BODY ILLUSTRATION SECTION 030

◇ REFER TO BODY ILLUSTRATION SECTION 400
⊕ REFER TO BODY ILLUSTRATION SECTION 430

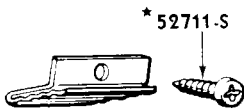


* REFER TO GROUP IN CHASSIS SECTION
 △ REFER TO BODY ILLUSTRATION SECTION 030
 ◇ REFER TO BODY ILLUSTRATION SECTION 400



COAZ-6442527-B

A



C1AB-6242413-A

B



*52711-S

C



359606-S
(MM-291-A)

D



375890-S
(MM-222-A)

E



353577-S
(MM-222)

F



373503-S
(MM-285-A)

G



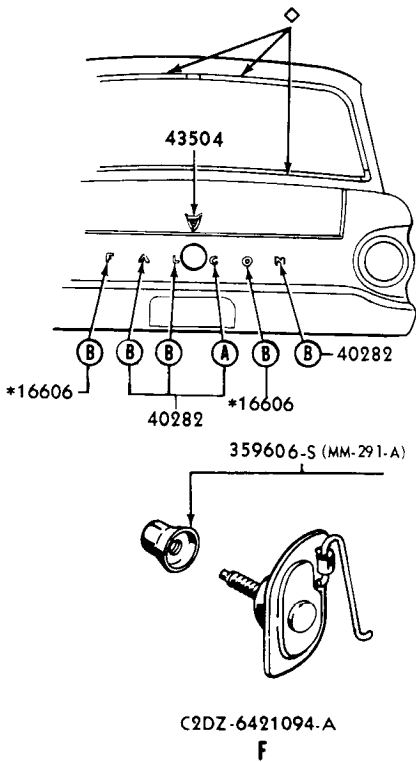
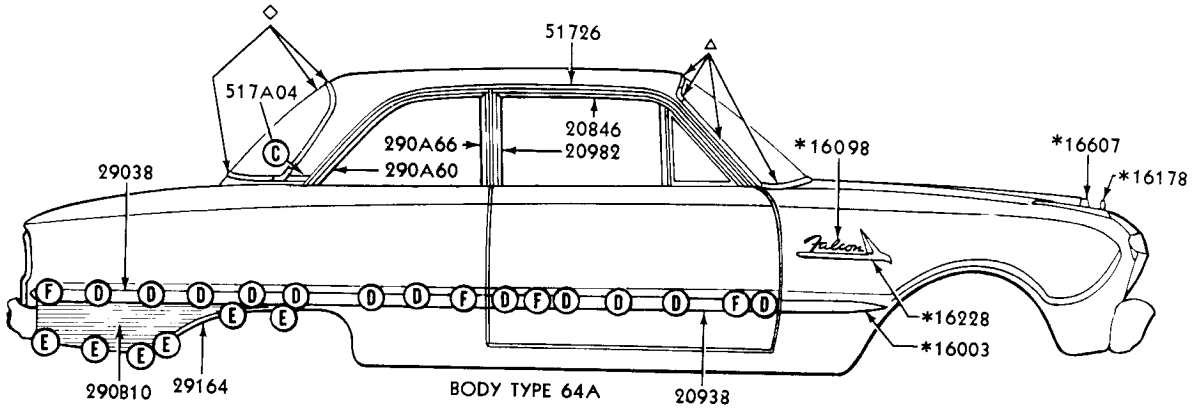
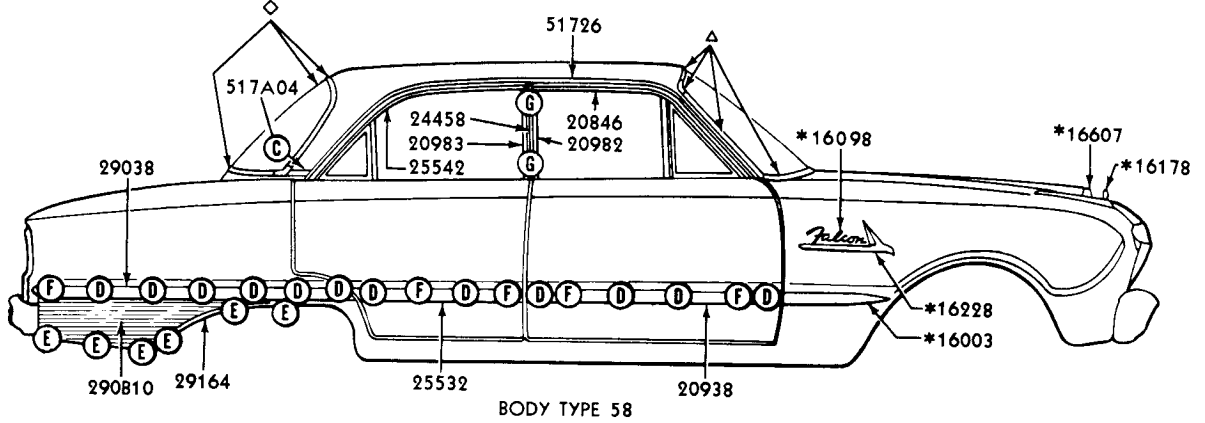
*371583-S

H

* REFER TO GROUP IN CHASSIS SECTION
 ▲ REFER TO BODY ILLUSTRATION SECTION 030
 ◇ REFER TO BODY ILLUSTRATION SECTION 400
 ●1962/63 ONLY

**X EXTERIOR Moulding
ILLUSTRATION SECTION**

FORD CAR PARTS



375890-S (MM-222-A)

A



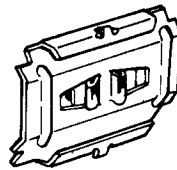
374046-S (MM-116)

B



*C2DB-64517A60-A

C



C2DZ-6429120-A

D



376378-S (UU-97)

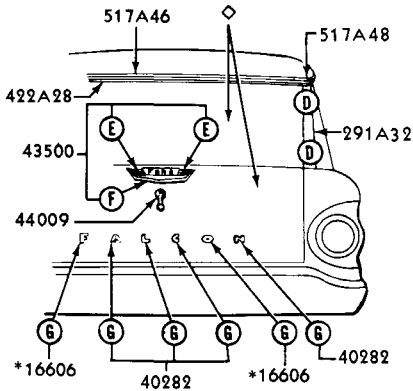
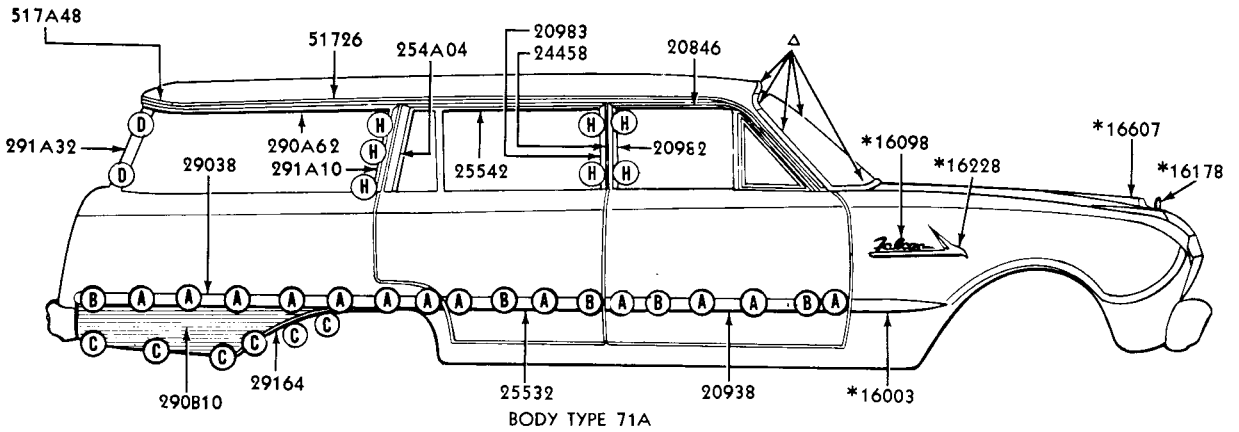
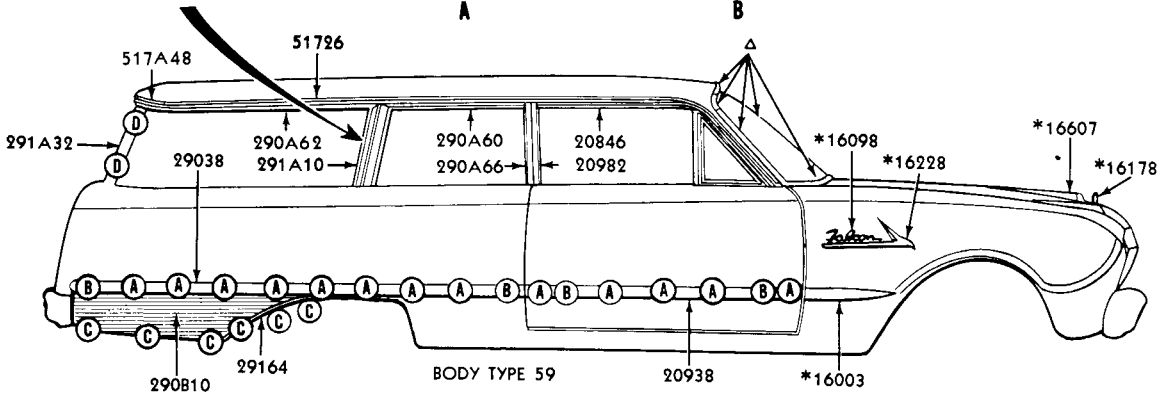
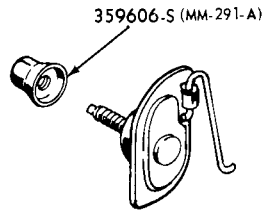
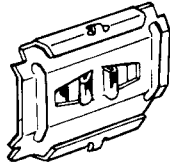
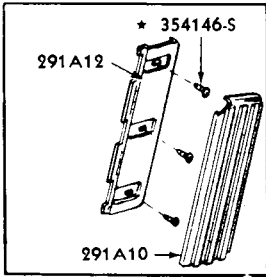
E



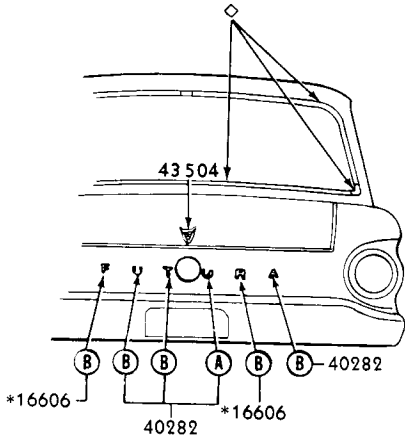
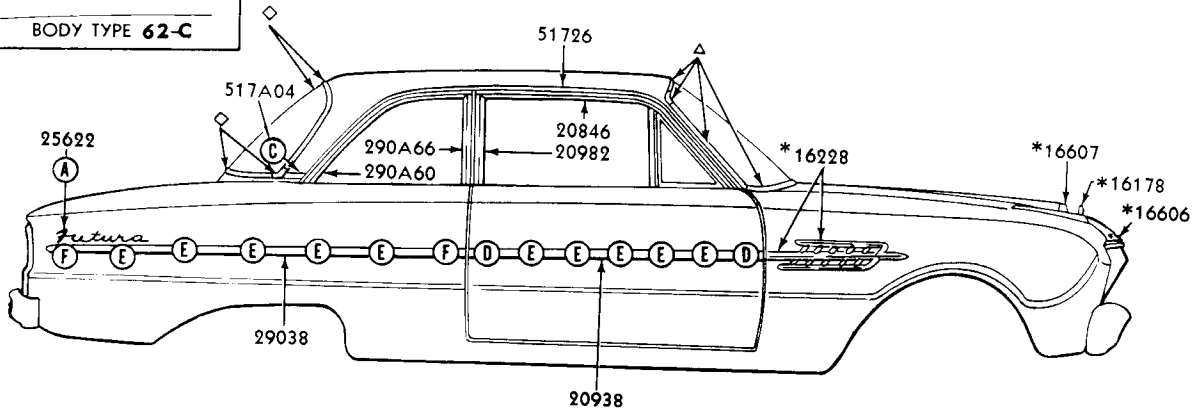
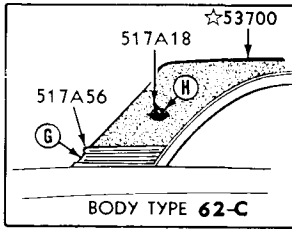
376374-S (BB-99)

G

* REFER TO GROUP IN CHASSIS SECTION
 Δ REFER TO BODY ILLUSTRATION SECTION 030
 ◇ REFER TO BODY ILLUSTRATION SECTION 400



* REFER TO GROUP IN CHASSIS SECTION
 Δ REFER TO BODY ILLUSTRATION SECTION 030
 ◇ REFER TO BODY ILLUSTRATION SECTION 400



375890-S (MM-222-A)
A



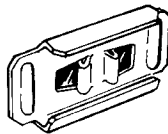
374046-S (MM-116)
B



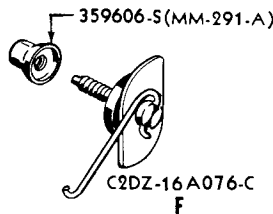
*C2DB-64517A60-A
C



51764-S (U-366)
D



C2DZ-6420842-A
E



359606-S (MM-291-A)
C2DZ-16A076-C
F

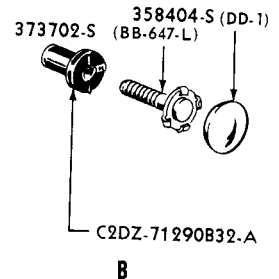
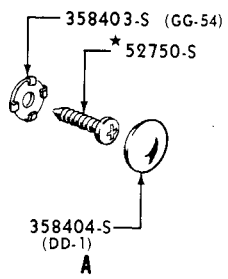
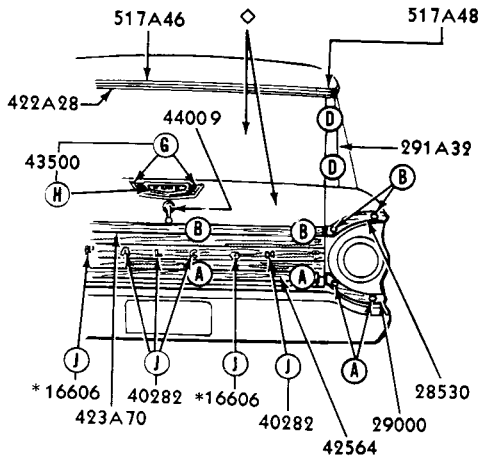
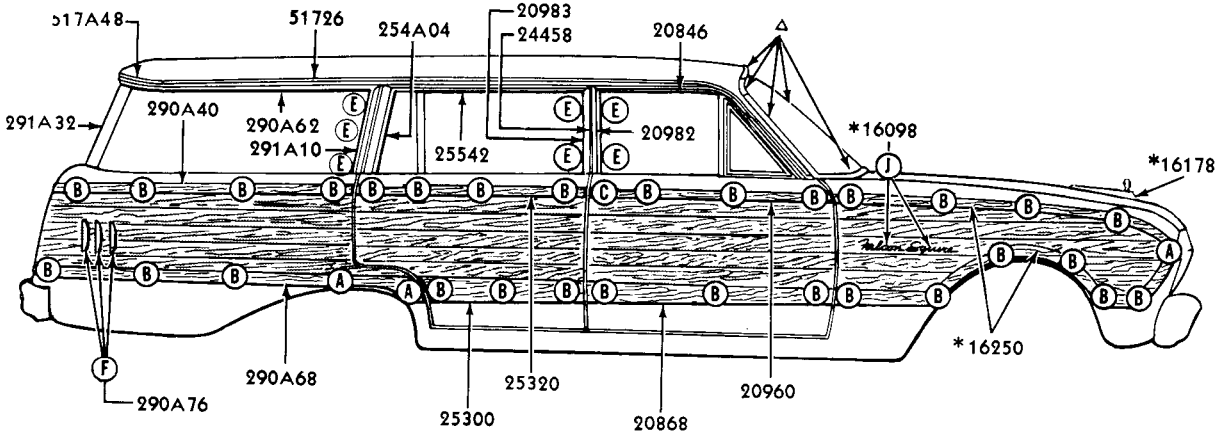


375526-S (MM-295-H)
G



373503-S (MM-285-A)
H

* REFER TO GROUP IN CHASSIS SECTION 160
△ REFER TO BODY ILLUSTRATION SECTION 030
◇ REFER TO BODY ILLUSTRATION SECTION 400
☆ REFER TO SOFT TRIM SECTION



350754-S (UU-86)

C



359606-S (MM-291-A)

D



376374-S (BB-99)

E



373503-S

F



373504-S (MM-285-B)

G



353577-S (MM-222)

H



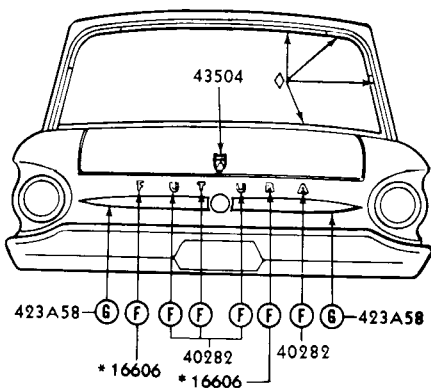
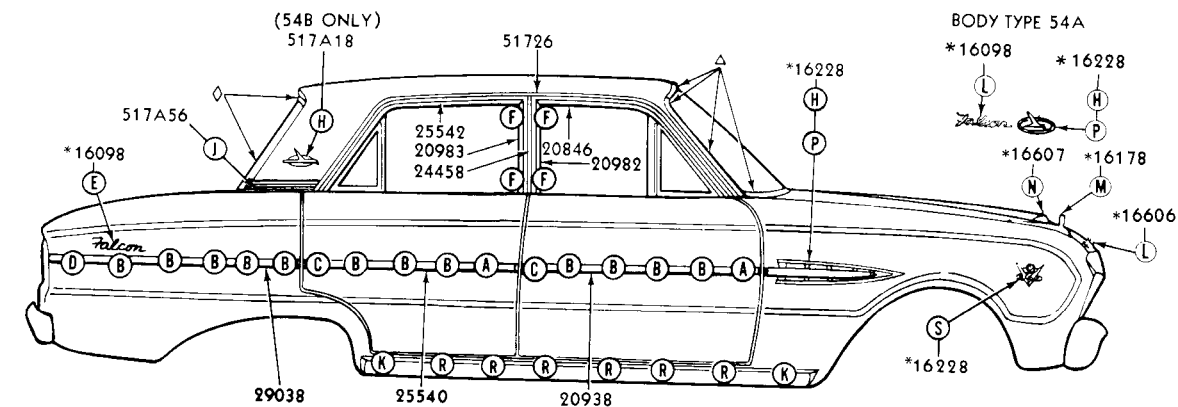
375890-S (MM-222-A)

J

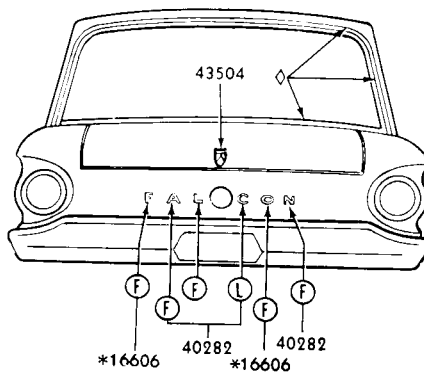
* REFER TO GROUP IN CHASSIS SECTION
 Δ REFER TO BODY ILLUSTRATION SECTION 030
 ◇ REFER TO BODY ILLUSTRATION SECTION 400

WALNUT TRANSFER C2DZ-7120748-A

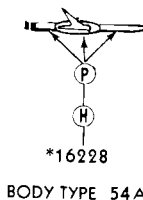
P-3752



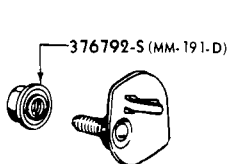
BODY TYPE 54B



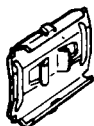
BODY TYPE 54A
359606-S (MM-291-A)



BODY TYPE 54A



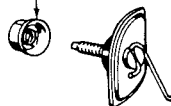
C3DZ-6221094-A
A



C2AZ-6229120-A
B



350002-S
(BB-529)
C



COAZ-6421094-C
D



*376718-S
E



374046-S (MM-116)
F



374073-S
(MM-118)
G



373503-S
(MM-285-A)
H



375526-S
(MM-295-H)
I



*377924-S
* C2YB-62102A78-A
J



375890-S (MM-222-A)
K



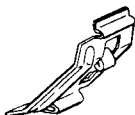
354397-S
(MM-291)
L



33795-S (M-49)
34805-S (X-62)
M



370548-S
(MM-295)
N

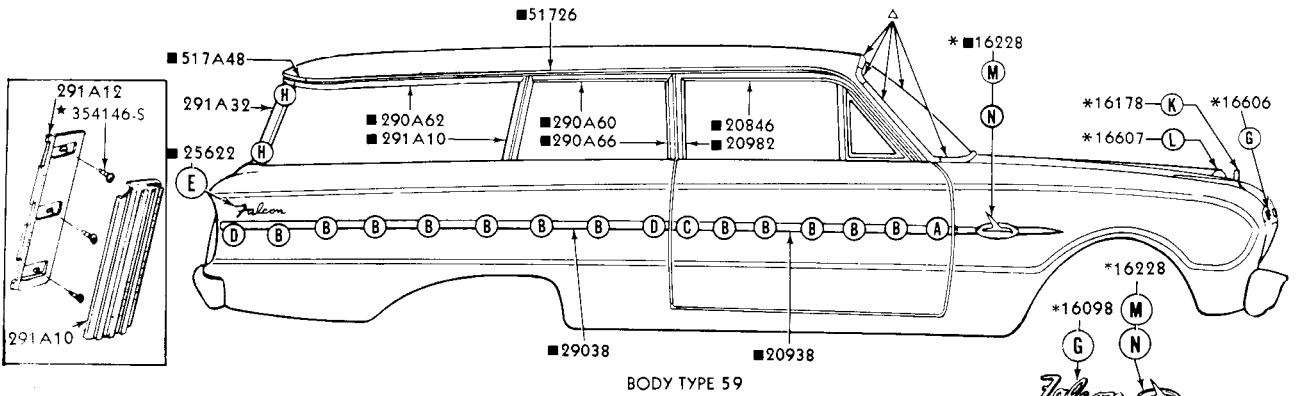


C2YY-6210182-A
O

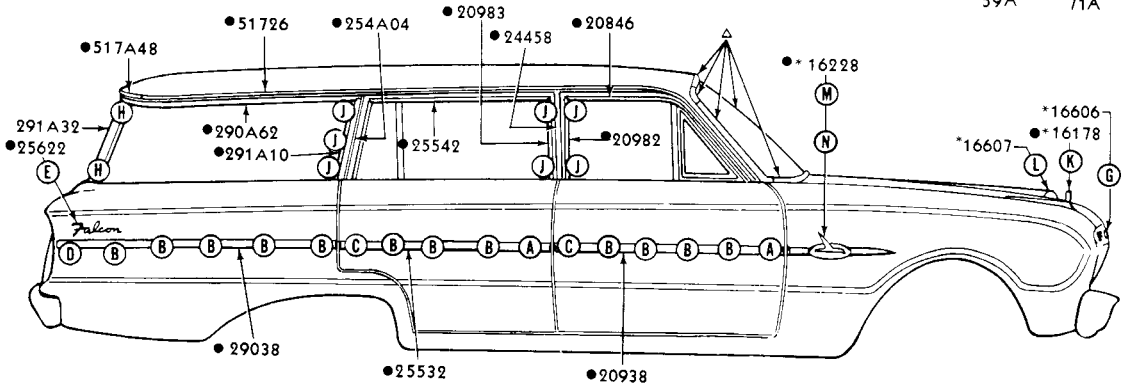


*376559-S
P

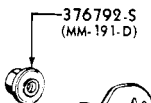
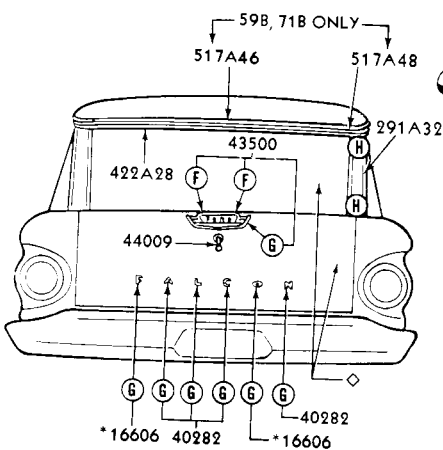
▲ REFER TO BODY ILLUSTRATION SECTION 030
◇ REFER TO BODY ILLUSTRATION SECTION 400
*REFER TO GROUP IN CHASSIS SECTION



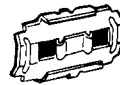
BODY TYPE 59



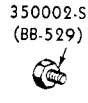
BODY TYPE 71A, B



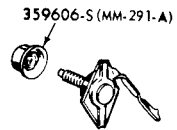
C3DZ-6221094-A
A



C2DZ-6429120-A
B



C3DZ-6220884-A
C



C2DZ-6421094-A
D



*376718-S
E



373503-S
(MM-285-A)
F



375890-S
(MM-222-A)
G



359606-S
(MM-291-A)
H



376374-S (BB-99)
J



354397-S
(MM-291)
K



33795-S
(M-49)
L



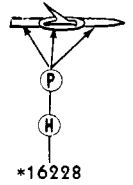
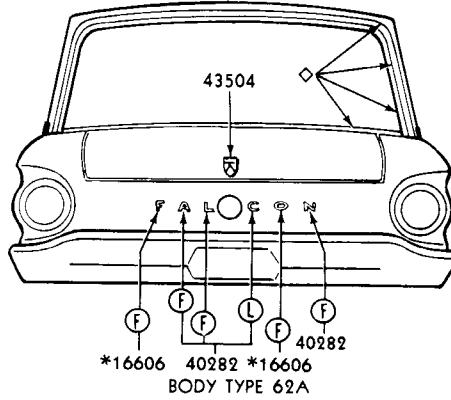
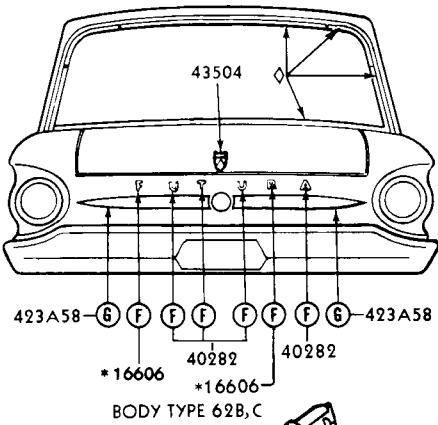
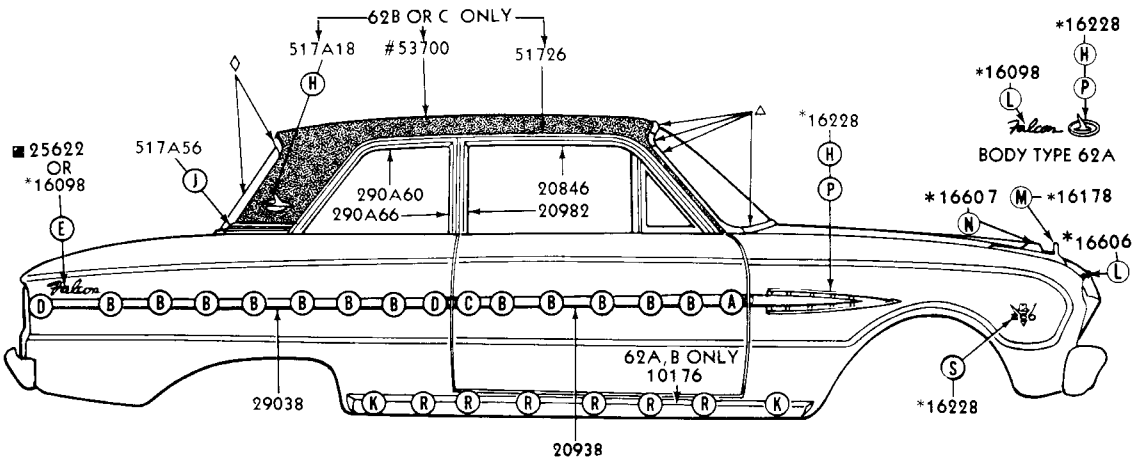
373503-S
(MM-285-A)
M



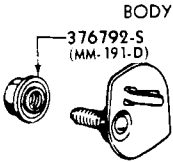
370548-S
(MM-295)
N

△ REFER TO BODY ILLUSTRATION SECTION 030
◇ REFER TO BODY ILLUSTRATION SECTION 400
* REFER TO GROUP IN CHASSIS SECTION

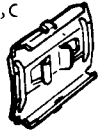
■ BODY TYPE 59B
● BODY TYPE 71B



BODY TYPE 62A



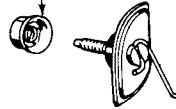
C3DZ-6221094-A
A



C2AZ-6229120-A
B



350002-S (BB-529)
C



C0AZ-6421094-C
D



*376718-S
E



374046-S (MM-116)
F



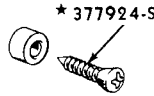
374073-S (MM-118)
G



373503-S (MM-285-A)
H



375526-S (MM-295-H)
J



*C2YB-62102A78-A
K



375890-S (MM-222-A)
L



354397-S (MM-291)
M



33795-S (M-49)
34805-S (X-62)
N



370548-S (MM-295)
P

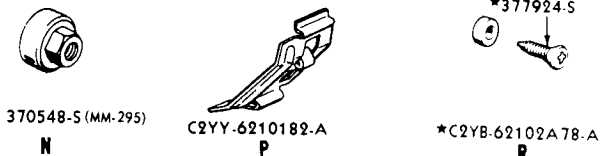
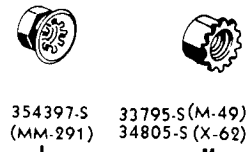
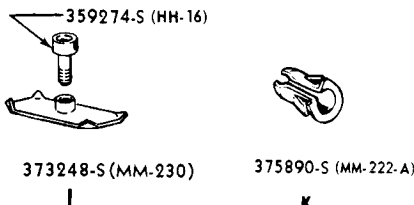
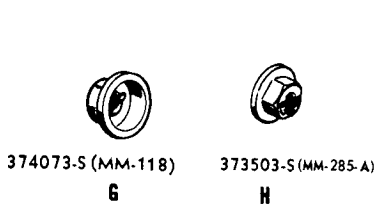
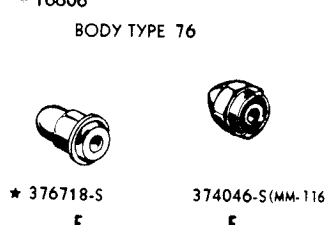
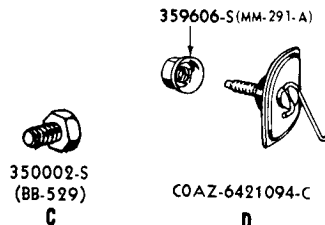
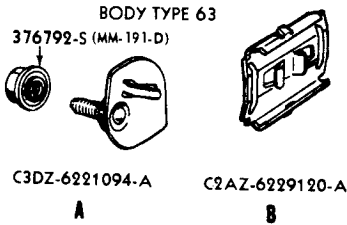
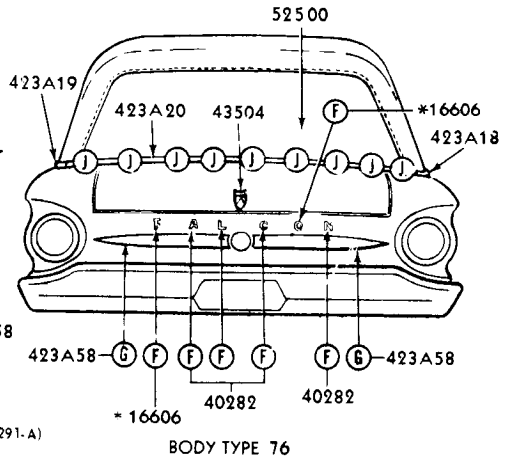
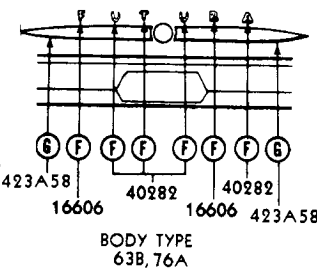
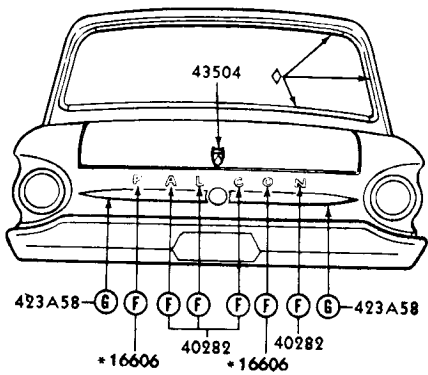
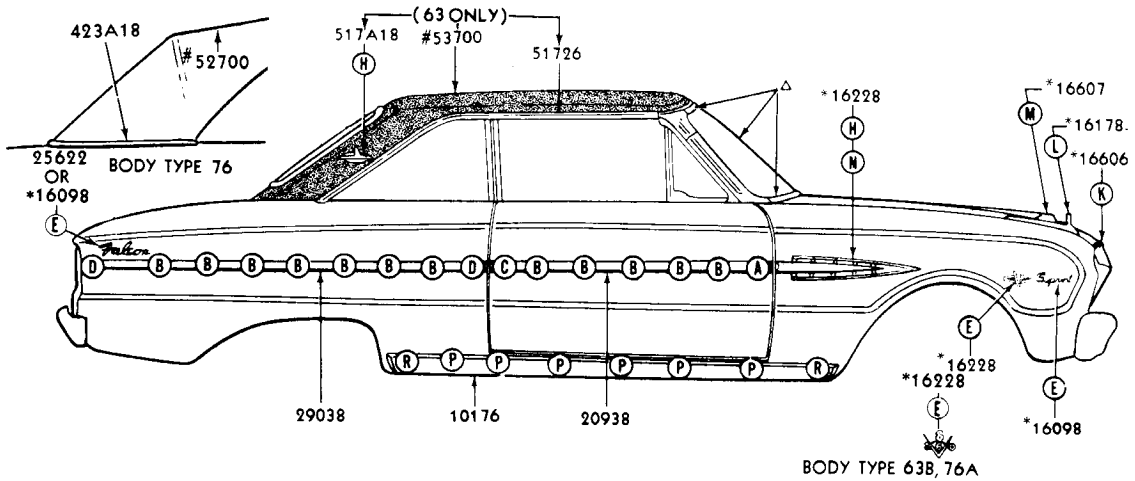


C2YY-6210182-A
R

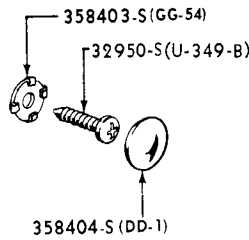
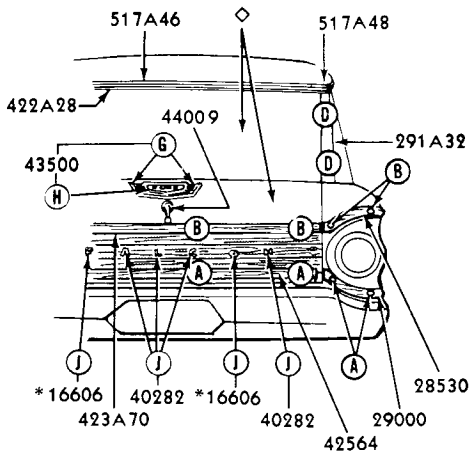
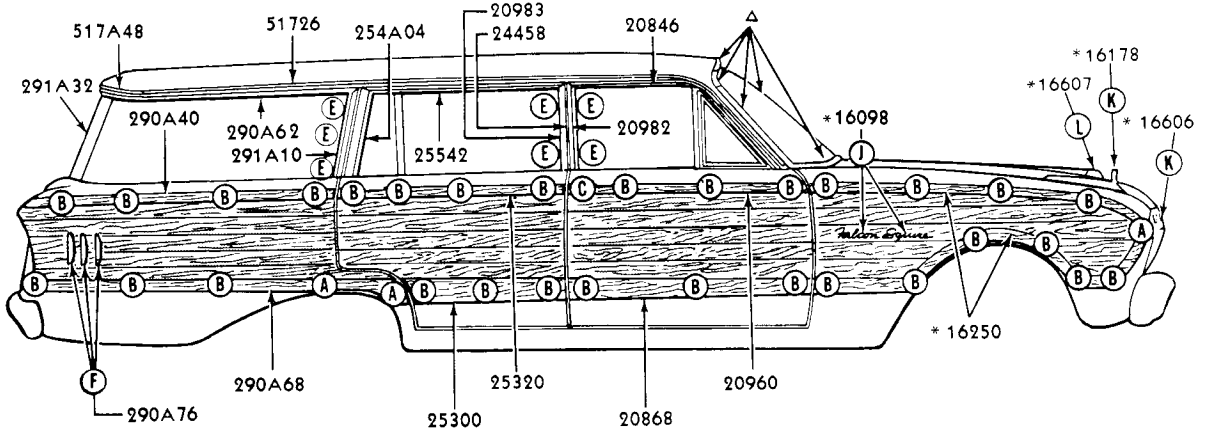


*376559-S
S

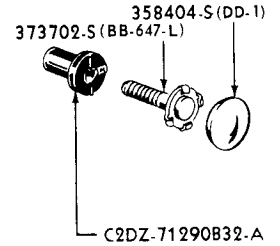
▲ REFER TO BODY ILLUSTRATION SECTION 030
◊ REFER TO BODY ILLUSTRATION SECTION 400
*REFER TO GROUP IN CHASSIS SECTION
REFER TO SOFT TRIM SECTION
■ BODY TYPE 62 C



▲ REFER TO BODY ILLUSTRATION SECTION 030
 ◊ REFER TO BODY ILLUSTRATION SECTION 400
 *REFER TO GROUP IN CHASSIS SECTION
 # REFER TO SOFT TRIM SECTION



A



B



C



D



E



F



G



H



J



K

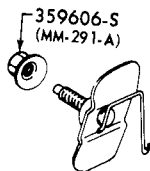
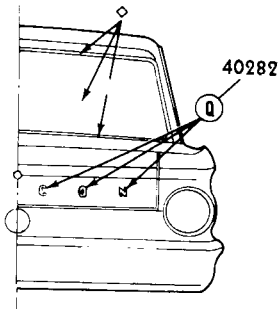
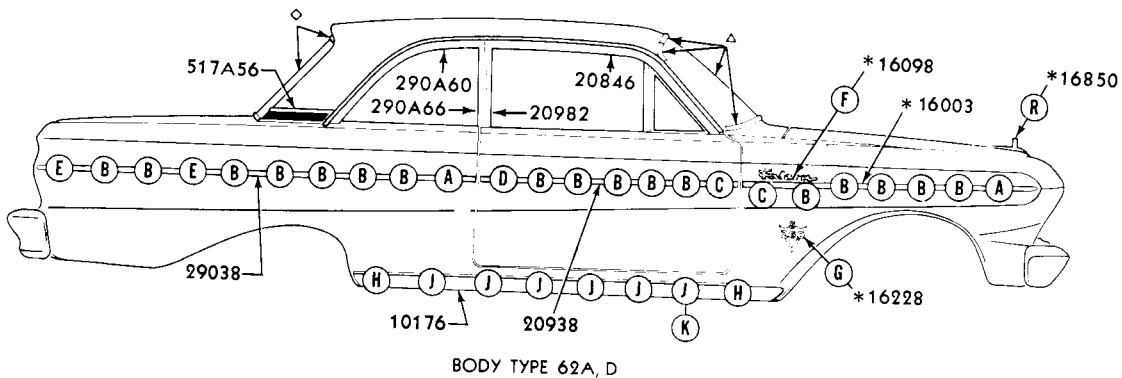
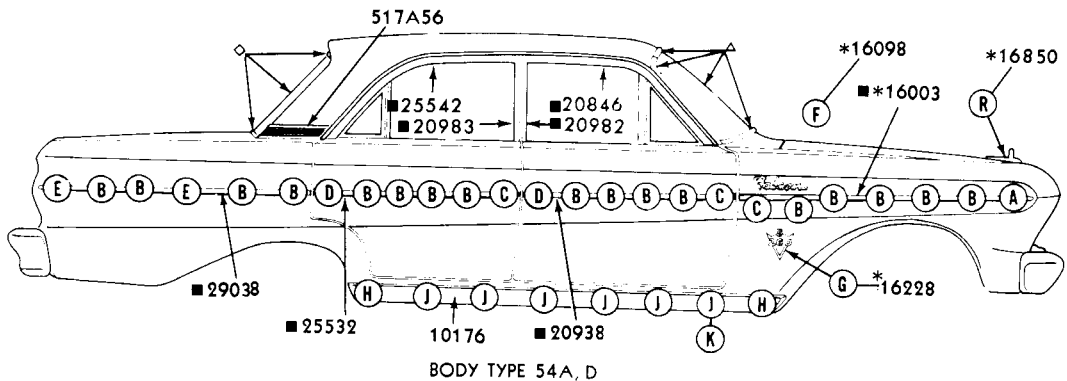


L

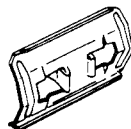
△ REFER TO BODY ILLUSTRATION SECTION 030
◇ REFER TO BODY ILLUSTRATION SECTION 400
*REFER TO GROUP IN CHASSIS SECTION

WALNUT TRANSFER C2DZ-7120748-A

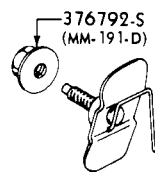
P.3985



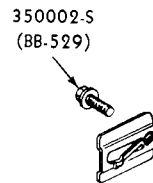
C4DZ-6221094-A
A



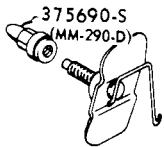
C4DZ-6221094-B
B



C4DZ-6221094-A
C



C4DZ-6221094-D
D



C4DZ-6221094-A
E



375890-S
 (MM-290-A)
F



375480-S
 (MM-222-E)
G



*C2YB-62102A78-A
H



C2YY-6210182-A
J



52376-S
 (U-296)
K



378362-S
 (MM-228)
Q



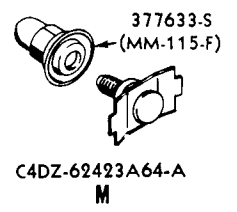
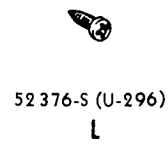
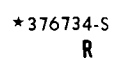
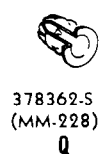
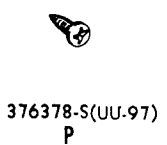
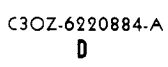
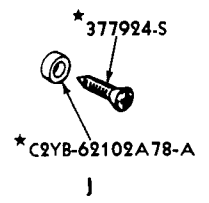
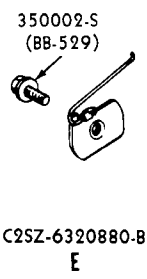
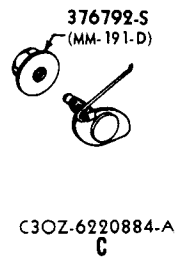
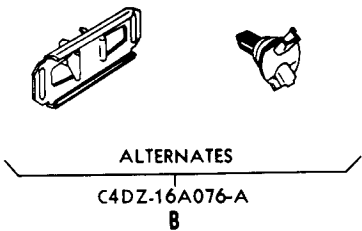
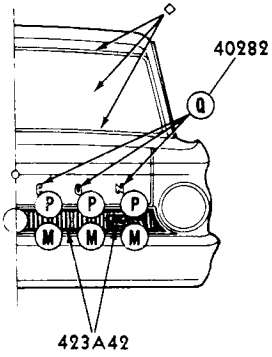
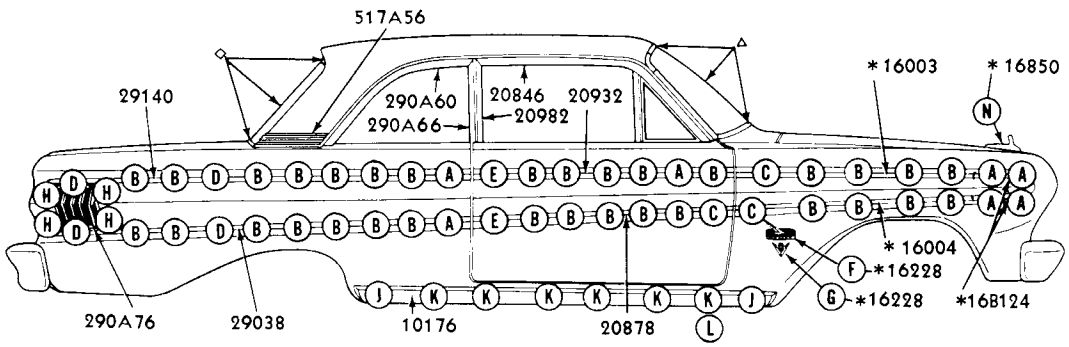
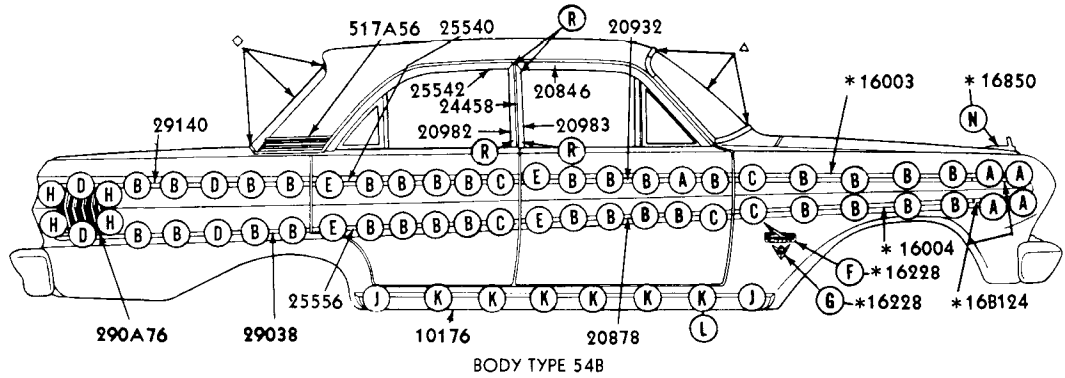
45243-S
 (M-178)
R

△ REFER TO BODY ILLUSTRATION SECTION 03C

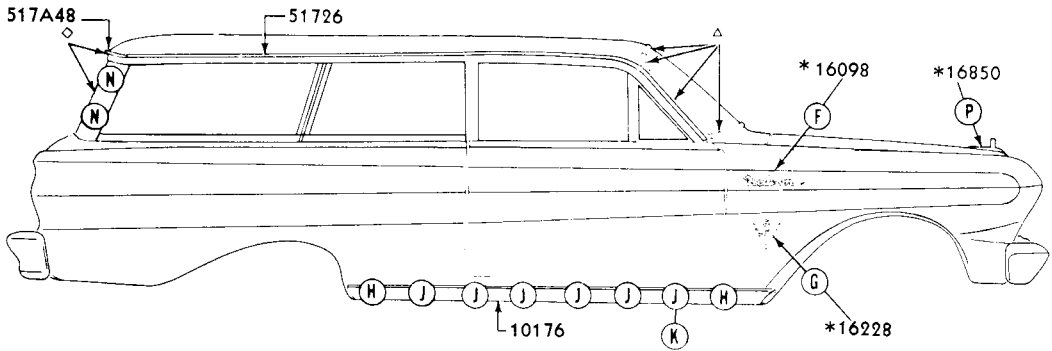
◇ REFER TO BODY ILLUSTRATION SECTION 400

* REFER TO GROUP IN CHASSIS SECTION

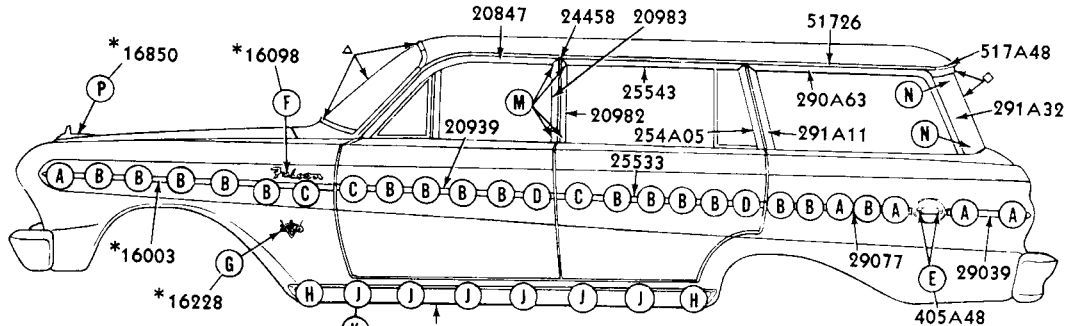
■ BODY TYPE 54D



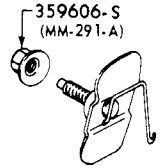
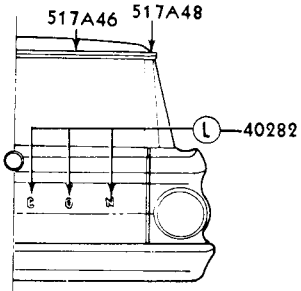
△ REFER TO BODY ILLUSTRATION SECTION 030
◇ REFER TO BODY ILLUSTRATION SECTION 400
* REFER TO GROUP IN CHASSIS SECTION



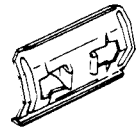
BODY TYPE 59



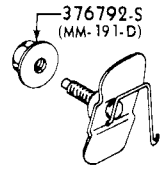
BODY TYPE 71A, B



C4OZ-6221094-A
A

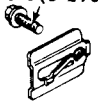


C4OZ-6221094-B
B



C4OZ-6221094-A
C

52376-S (U-296)



C4DZ-6221094-D
D



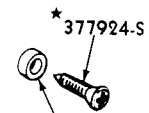
40917-S (U-257)
E



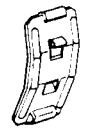
375890-S (MM-222-A)
F



375480-S (MM-222-E)
G



*C2YB-62102A78-A
H



C2YY-6210182-A
J



376374-S (BB-99)
M



359606-S (MM-291-A)
N



45243-S (M-178)
P

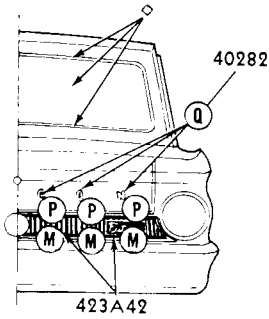
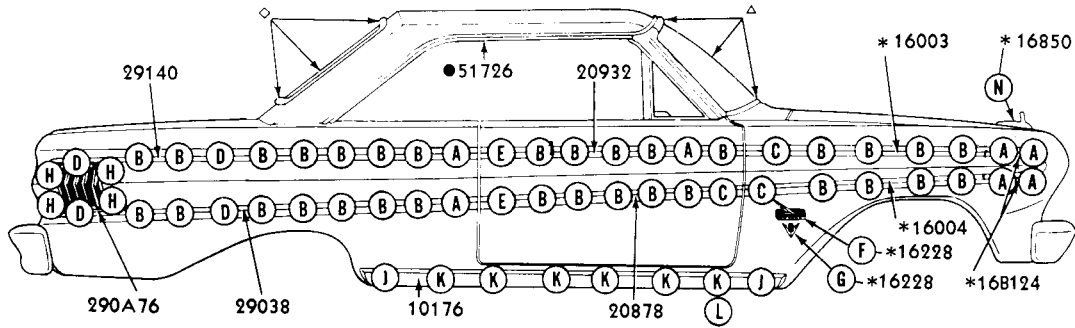


373715-S (MM-172)
K

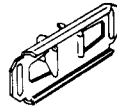


378362-S (MM-228)
L

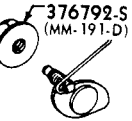
- △ REFER TO BODY ILLUSTRATION 030
- ◇ REFER TO BODY ILLUSTRATION 400
- * REFER TO GROUP IN CHASSIS SECTION



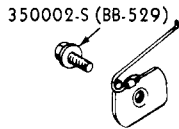
359606-S
(MM-291-A)
A



ALTERNATES
C4DZ-16A076-A
B



376792-S
(MM-191-D)
C



350002-S (BB-529)
E



375690-S
(MM-290-D)
D



375890-S
(MM-222-A)
F



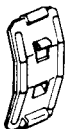
375480-S
(MM-222-E)
G



* 376031-S
H



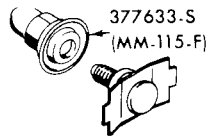
* 377924-S
* C2YB-62102A78-A
J



C2YY-6210182-A
K



52376-S (U-296)
L



377633-S
(MM-115-F)
C4DZ-62423A64-A
M



45243-S
(M-178)
N

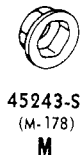
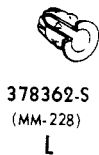
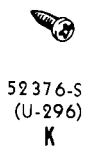
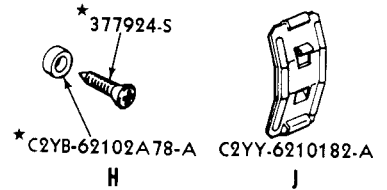
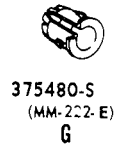
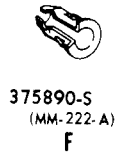
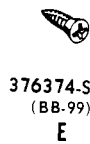
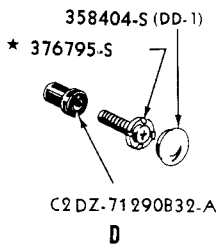
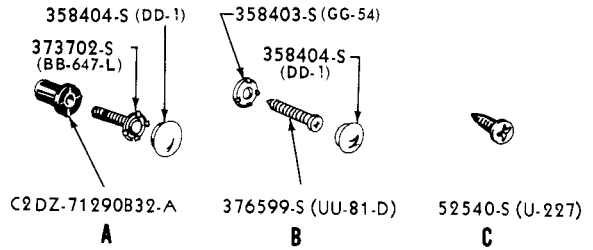
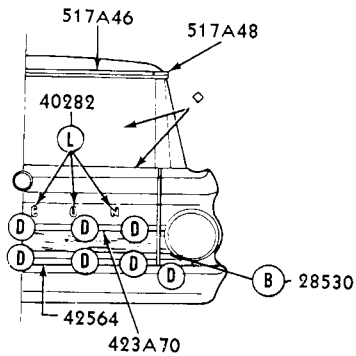
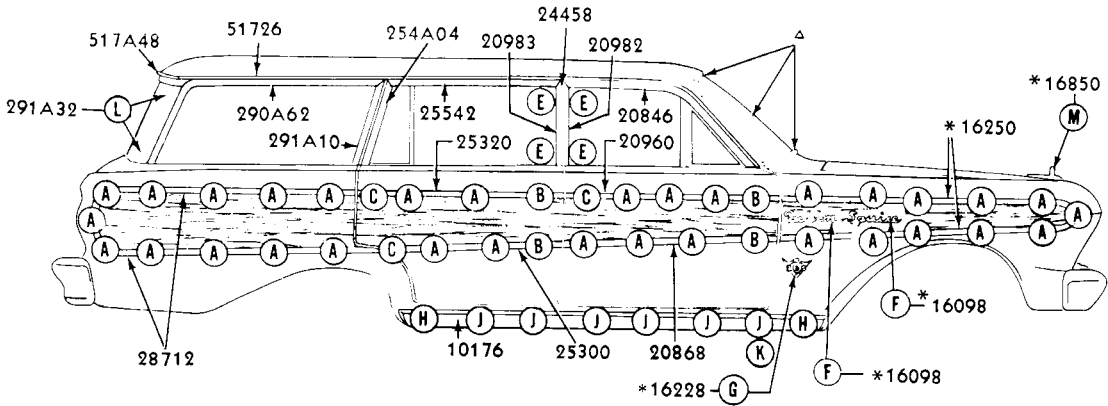


376378-S
(UU-97)
P



378362-S
(MM-228)
Q

- BODY TYPE 63
- △ REFER TO BODY ILLUSTRATION SECTION 030
- ◇ REFER TO BODY ILLUSTRATION SECTION 400
- * REFER TO GROUP IN CHASSIS SECTION

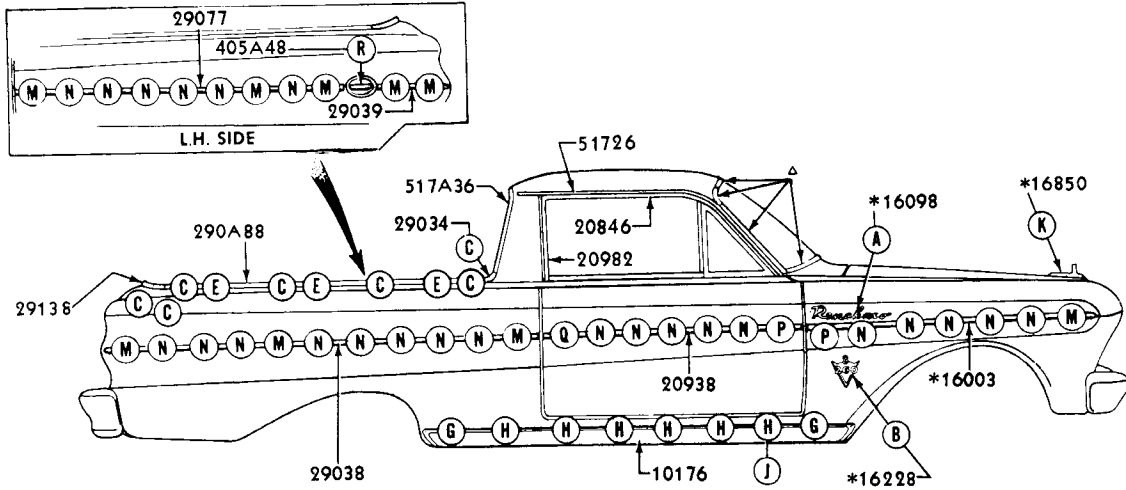


WALNUT GRAIN TRANSFER REFER TO BODY GROUP 20748

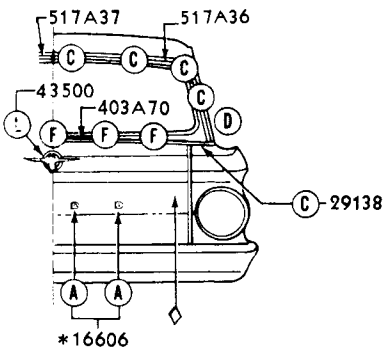
△ REFER TO BODY ILLUSTRATION 030

◇ REFER TO BODY ILLUSTRATION 400

* REFER TO GROUP IN CHASSIS SECTION



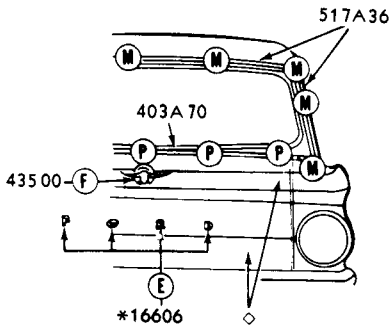
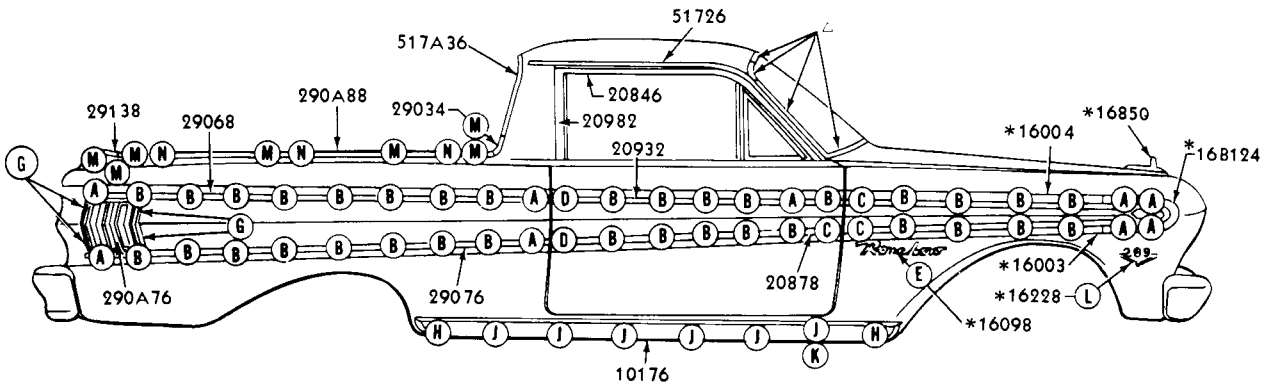
- 375890-S
(MM-222-A)
A
- 375480-S
(MM-222-E)
B
- *372666-S
C
- CODB-66517A68-A
D
- CODB-66290B16-A
E
- *376366-S
F
- *377924-S
*C2YB-62102A78-A
G



- C2YY-6210182-A
H
- 52376-S (U-296)
J
- 45243-S
(M-178)
K
- 371882-S (MM-287)
L

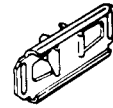
- C4DZ-6221094-A
M
- C4DZ-6221094-B
N
- C4DZ-6221094-A
P
- C4DZ-6221094-D
Q
- 40917-S (U-257)
R

△ REFER TO BODY ILLUSTRATION SECTION 030
◇ REFER TO BODY ILLUSTRATION SECTION 400
* REFER TO GROUP IN CHASSIS SECTION



359606-S (MM-291-A)

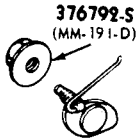
A



ALTERNATES
C4DZ-16A076-A

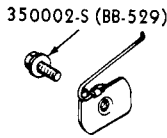


B



376792-S (MM-191-D)

C



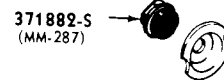
350002-S (BB-529)

D



375890-S (MM-222-A)

E



371882-S (MM-287)

C4DZ-6642622-A

F



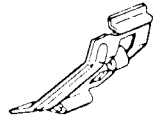
354397-S (MM-291)

G



*377924-S
*C2YB-62102A78-A

H



C2YY-6210182-A

J



350075-S (UU-88)

K



375480-S (MM-222-E)

L



376290-S (UU-56-D)

M



CODB-66290B16-A

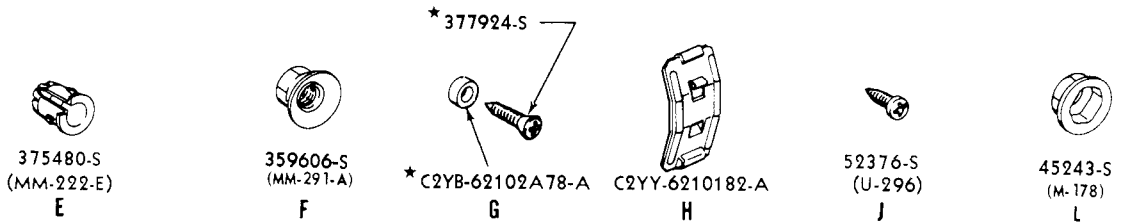
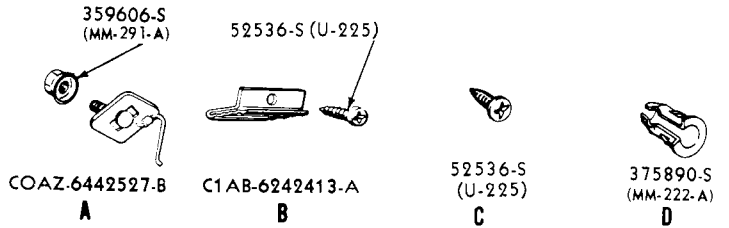
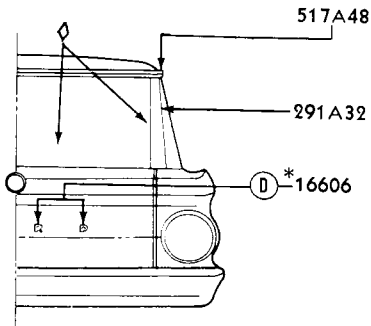
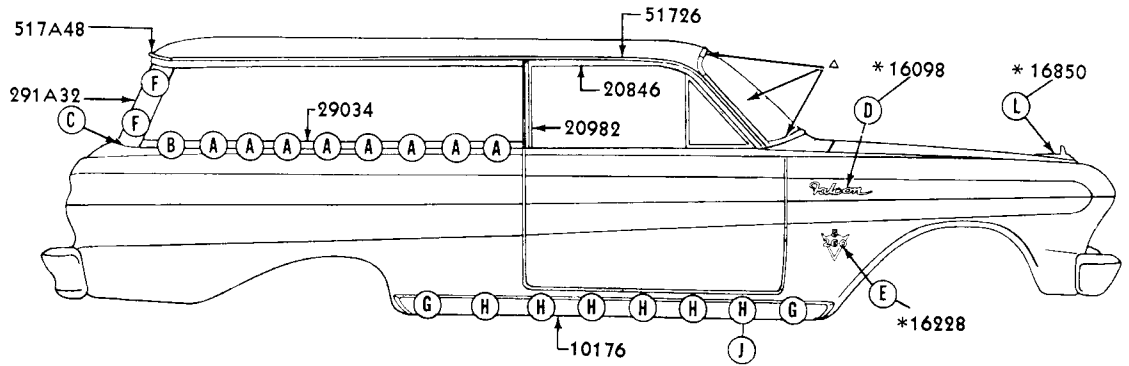
N



376290-S (UU-56-D)

P

△ REFER TO BODY ILLUSTRATION SECTION 030
 ◇ REFER TO BODY ILLUSTRATION SECTION 400
 * REFER TO GROUP IN CHASSIS SECTION
 1964/ FALCON - BODY TYPE 66G, H



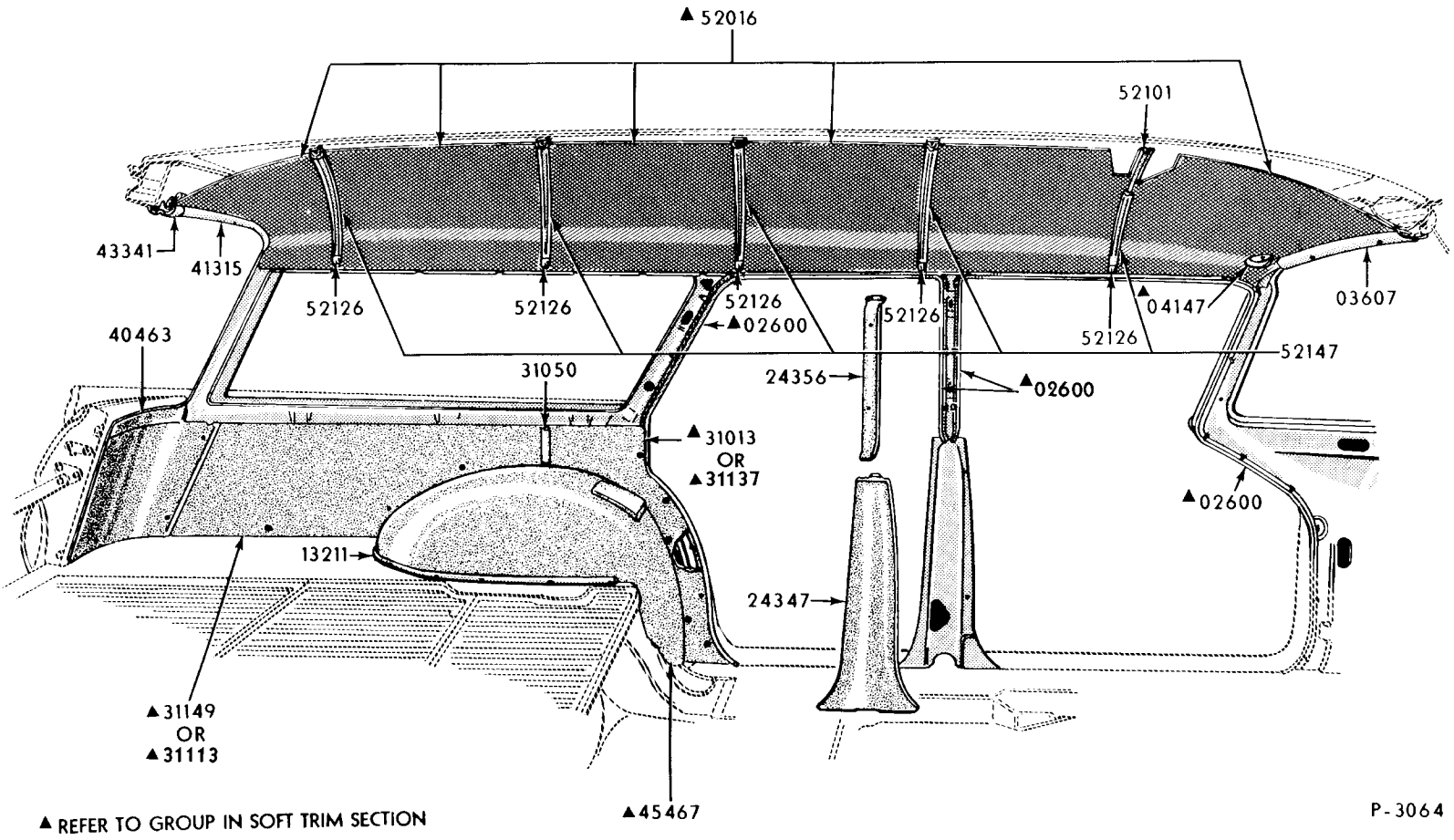
△ REFER TO BODY ILLUSTRATION SECTION 030

◇ REFER TO BODY ILLUSTRATION SECTION 400

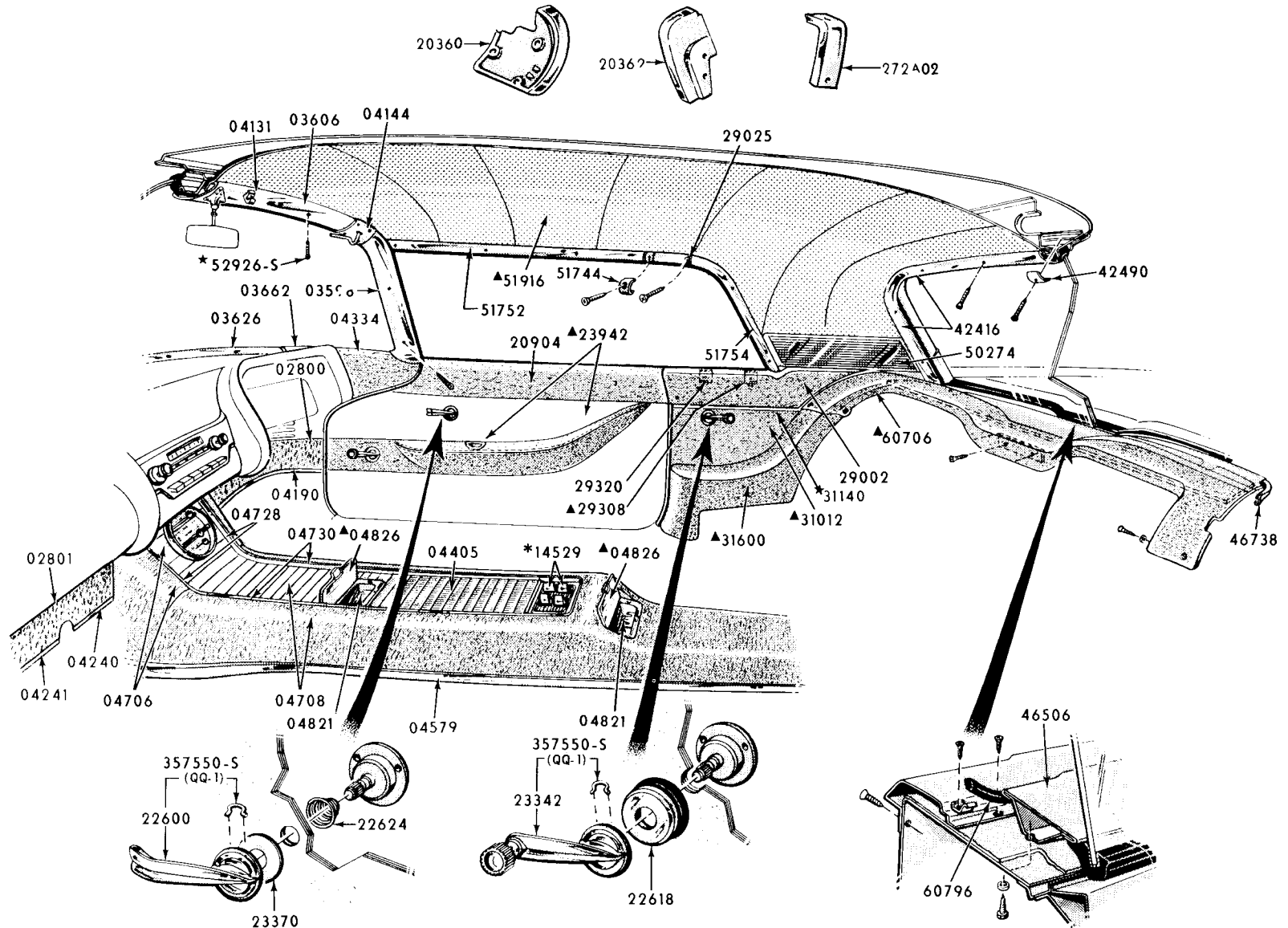
* REFER TO GROUP IN CHASSIS SECTION

INTERIOR TRIM

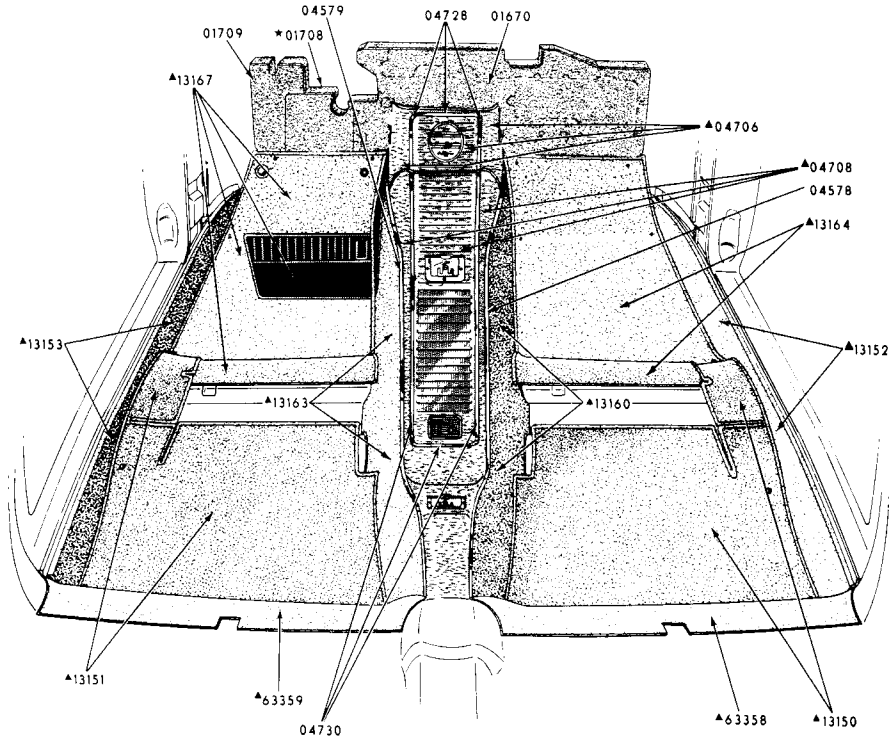
T I T L E	YEAR	M O D E L	PAGE	ILLUS. NO.
Carpets and Related Parts	60	S	926	P-2615
Carpets and Related Parts	61/63	S	928	P-3388
Door and Quarter Trim and Related Parts	64/	S	945	P-4324
Door and Quarter Trim Panels and Related Parts	61/63	S	929	P-3447
Folding Top Compartment Trim and Related Parts	61/64	A(76)	942	P-3446
Folding Top	64	A(76)	939	P-4375
Folding Top Compartment Trim and Related Parts	63/64	X(76)	942	P-3446
Interior Trim and Related Parts	64	A(57)	937	P-4377
Interior Trim and Related Parts	63	A(63)	932	P-4235
Interior Trim and Related Parts	64	A(63)	938	P-4376
Interior Trim and Related Parts	62/63	A(65)	933	P-3858
Interior Trim and Related Parts	60/61	A(71)	924	P-3064
Interior Trim and Related Parts	62/64	A(71)	931	P-4133
Interior Trim and Related Parts	63	A(75)	934	P-4047
Interior Trim and Related Parts	62/63	A(76)	935	P-3864
Interior Trim and Related Parts	64	A(76)	939	P-4375
Interior Trim and Related Parts	63/	B(65)	940	P-4111
Interior Trim and Related Parts	63/	B(71)	941	P-4112
Interior Trim and Related Parts	60	S	925	P-2613
Interior Trim and Related Parts	61/63	S	927	P-3353
Interior Trim and Related Parts	64/	S(63A, 63B)	943	P-4378
Interior Trim and Related Parts	64/	S(76)	944	P-4374
Interior Trim and Related Parts	60/	X(59)	947	P-3167
Interior Trim and Related Parts	61/63	X(62C, 64)	936	P-3619
Interior Trim and Related Parts	63/	X(63)	948	P-4233
Interior Trim and Related Parts	60/	X(66)	952	P-5163
Interior Trim and Related Parts	60/	X(71)	949	P-3200
Interior Trim and Related Parts	63/	X(76)	950	P-4234
Interior Trim and Related Parts	61/	X(78)	951	P-3591
Luggage Compartment Trim	60	S	926	P-2623
Luggage Compartment Trim	61/63	S(63)	930	P-3361
Luggage Compartment Trim	64/	S(63)	946	P-4370
Luggage Compartment Trim	61/63	S(76)	930	P-3362
Luggage Compartment Trim	64/	S(76)	946	P-4371



INTERIOR TRIM and RELATED PARTS
1960/61 FORD - BODY TYPE 71



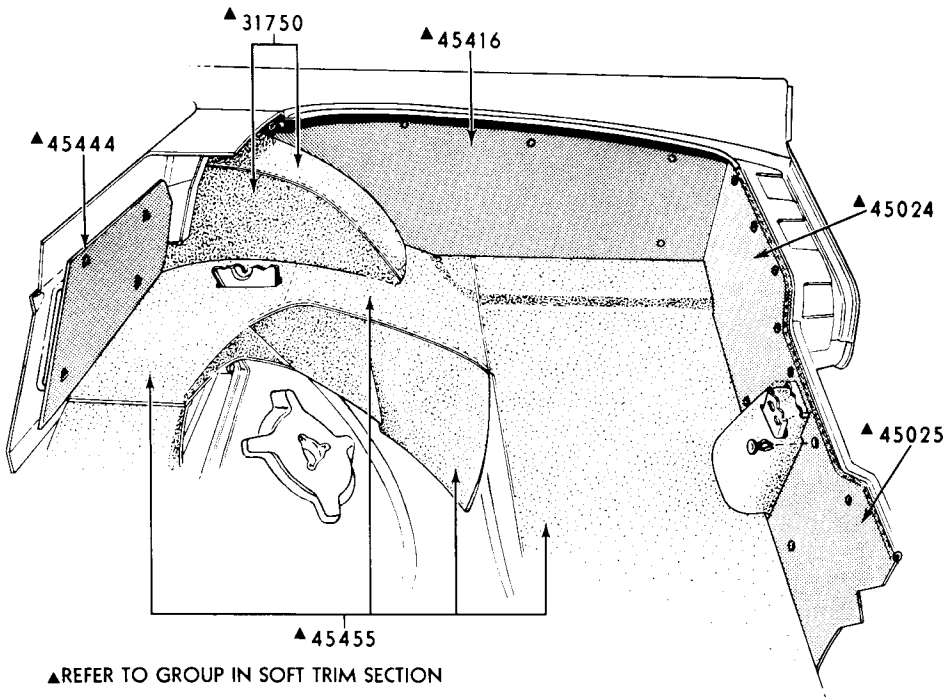
*REFER TO CHASSIS GROUP NUMBER
▲ REFER TO GROUP IN SOFT TRIM SECTION



▲REFER TO GROUP IN SOFT TRIM SECTION

P-2615

CARPETS and RELATED PARTS
1960 THUNDERBIRD

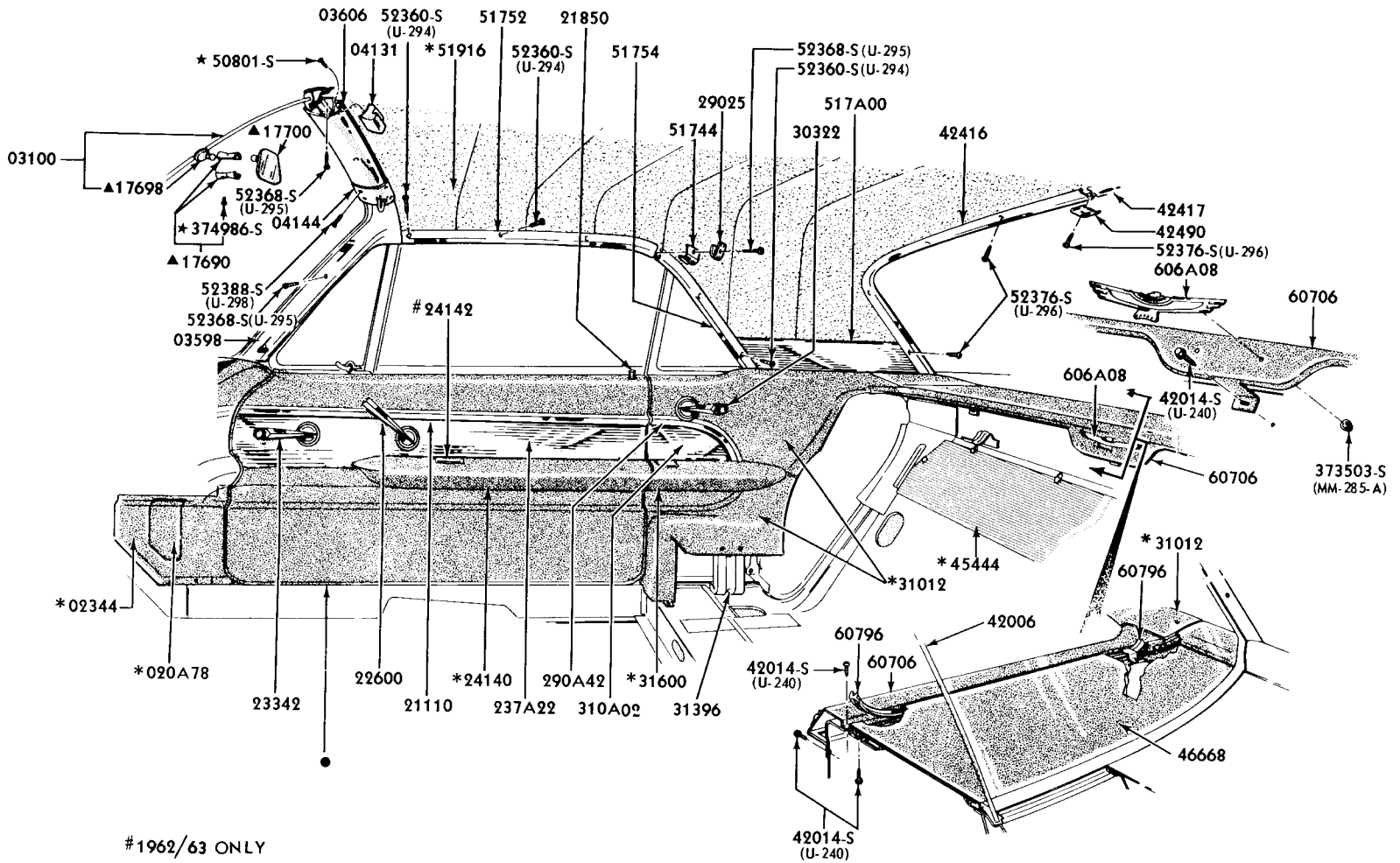


▲REFER TO GROUP IN SOFT TRIM SECTION

P-2623

LUGGAGE COMPARTMENT TRIM
1960 THUNDERBIRD

INTERIOR TRIM and RELATED PARTS
1961/63 THUNDERBIRD - TYPICAL



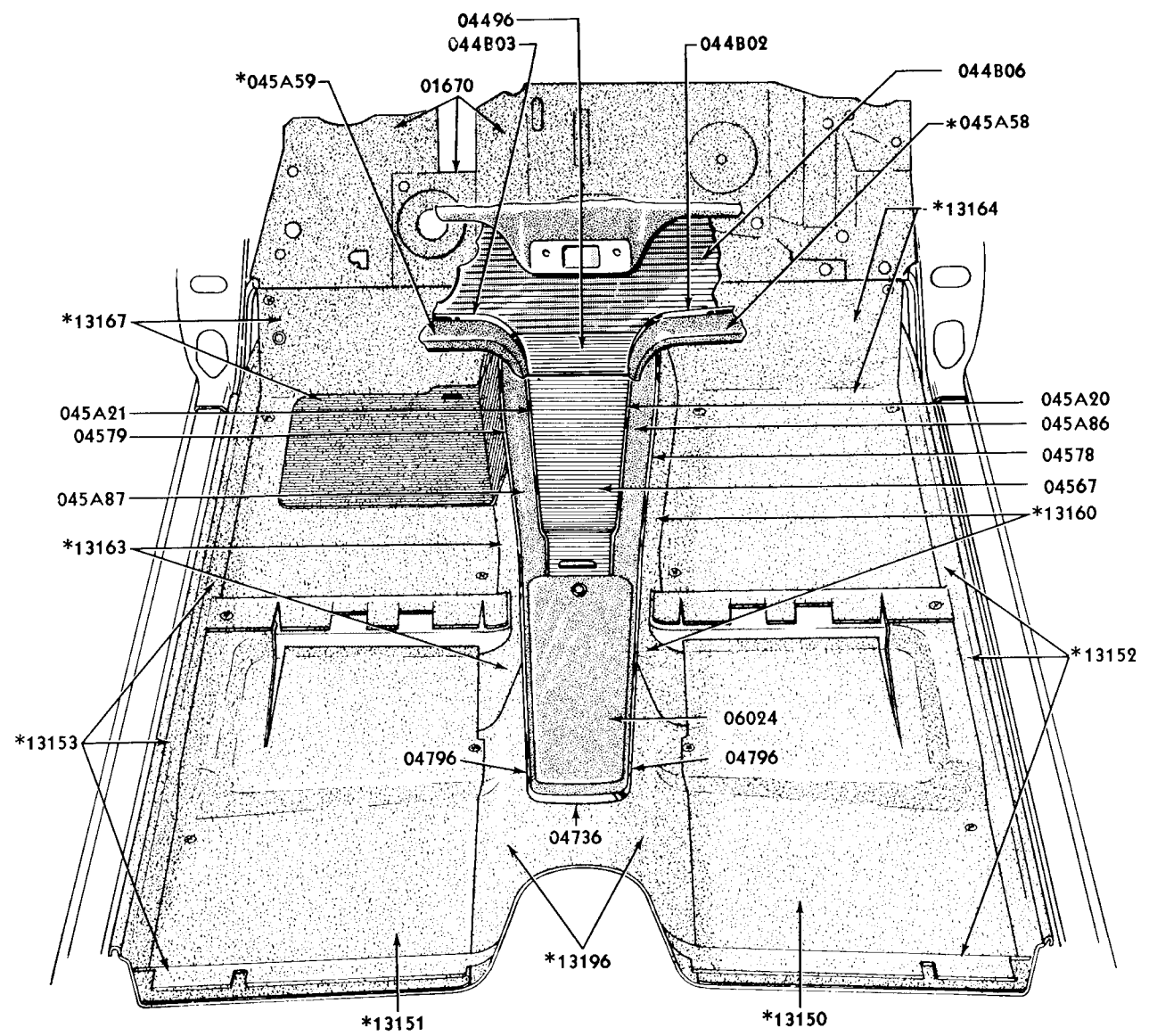
#1962/63 ONLY

- * REFER TO GROUP IN SOFT TRIM SECTION
- ▲ REFER TO CHASSIS GROUP NUMBER
- REFER TO PAGE 9 FOR DETAILS

P-3353

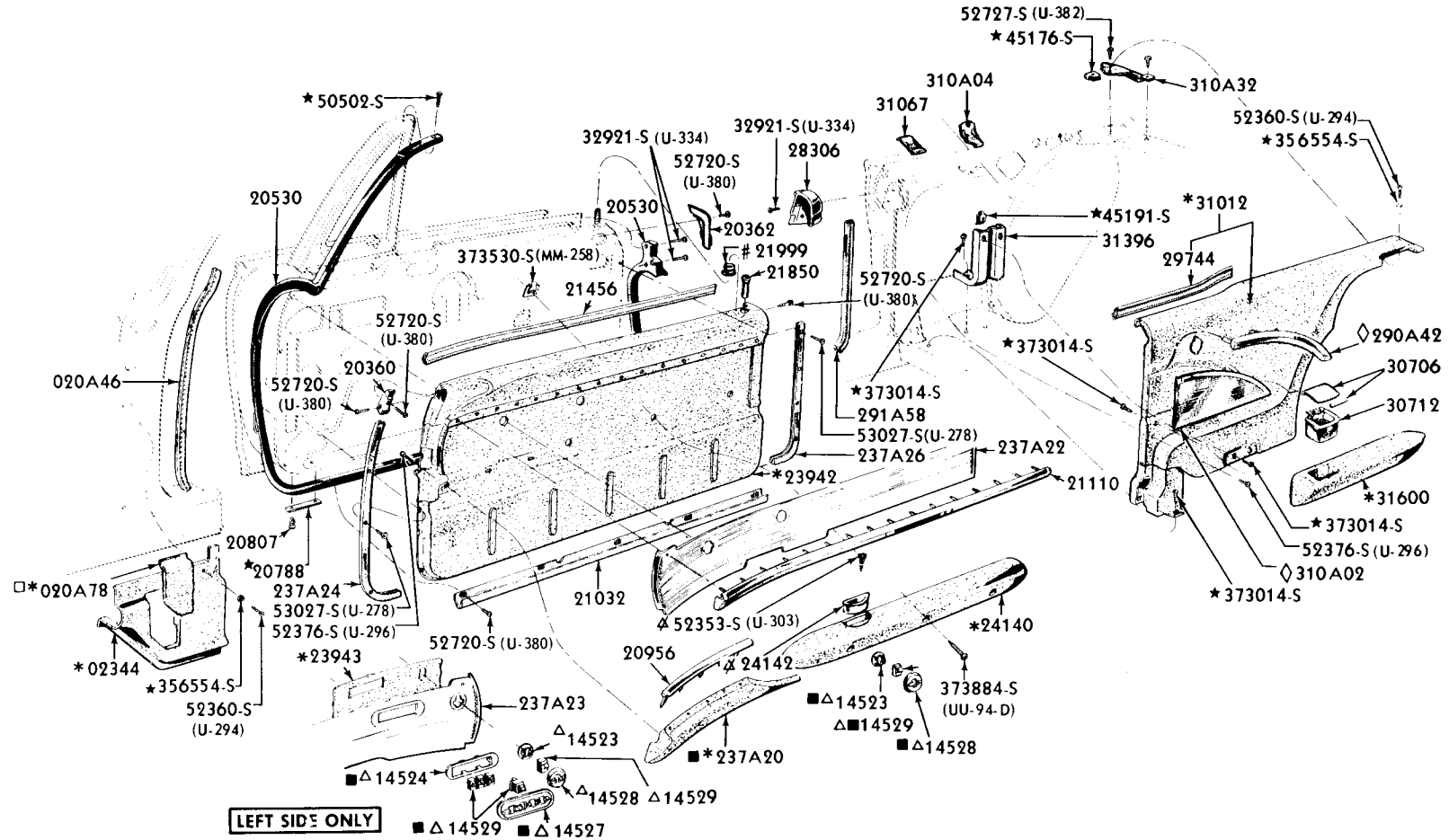
FORD CAR PARTS

INTERIOR TRIM
ILLUSTRATION SECTION



*REFER TO GROUP IN SOFT TRIM SECTION

DOOR and QUARTER TRIM PANELS and RELATED PARTS
1961/63 THUNDERBIRD



LEFT SIDE ONLY

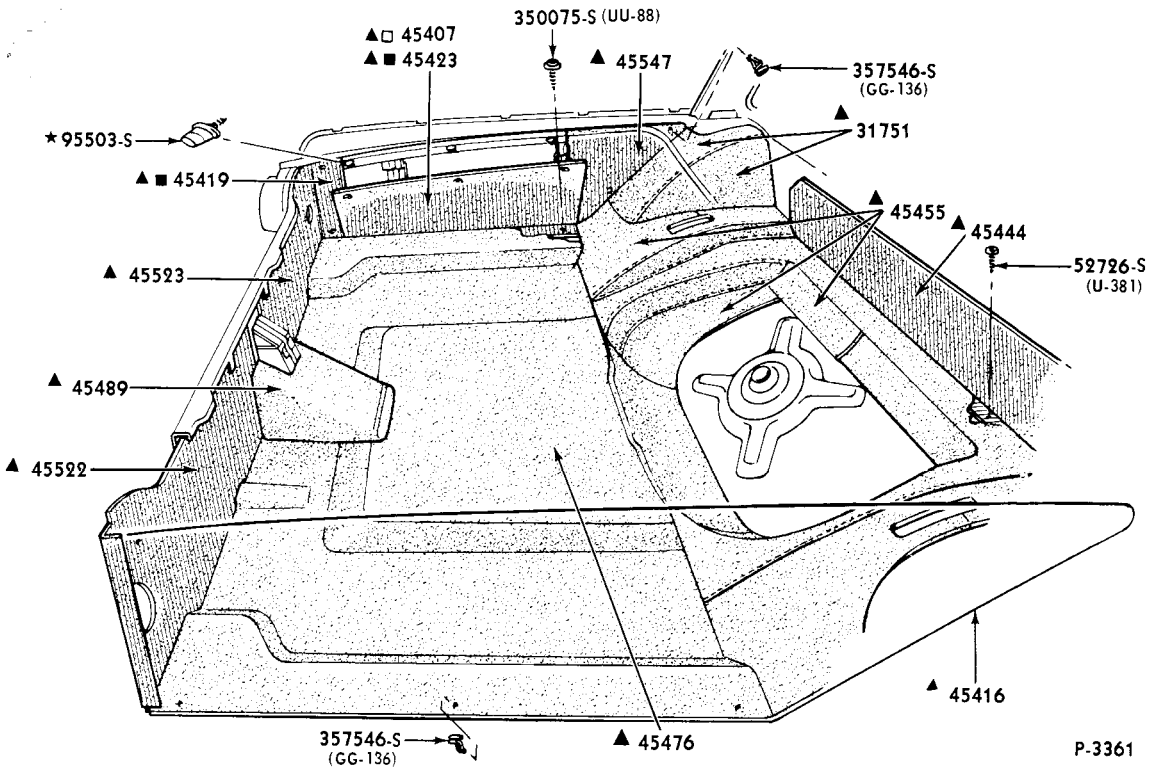
* REFER TO GROUP IN SOFT TRIM SECTION
 ▲ REFER TO GROUP IN CHASSIS SECTION

ALSO INCLUDED IN 23942-3
 ◇ ALSO INCLUDED IN 31012-3

■ 1961/62 ONLY ▨ 1962/63 ONLY
 □ 1963 ONLY

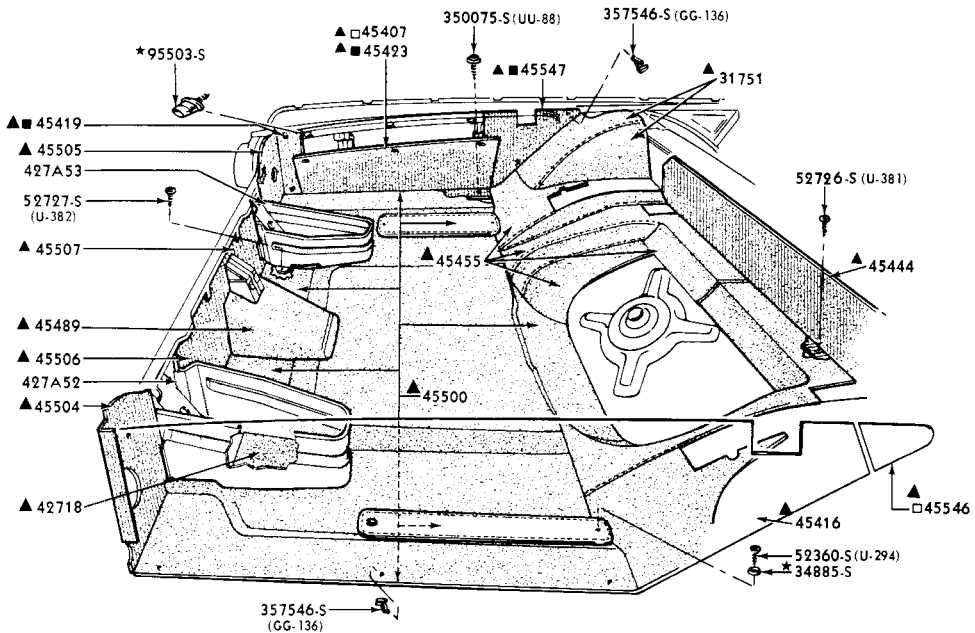
FORD CAR PARTS
INTERIOR TRIM
ILLUSTRATION SECTION

P-3447



P-3361

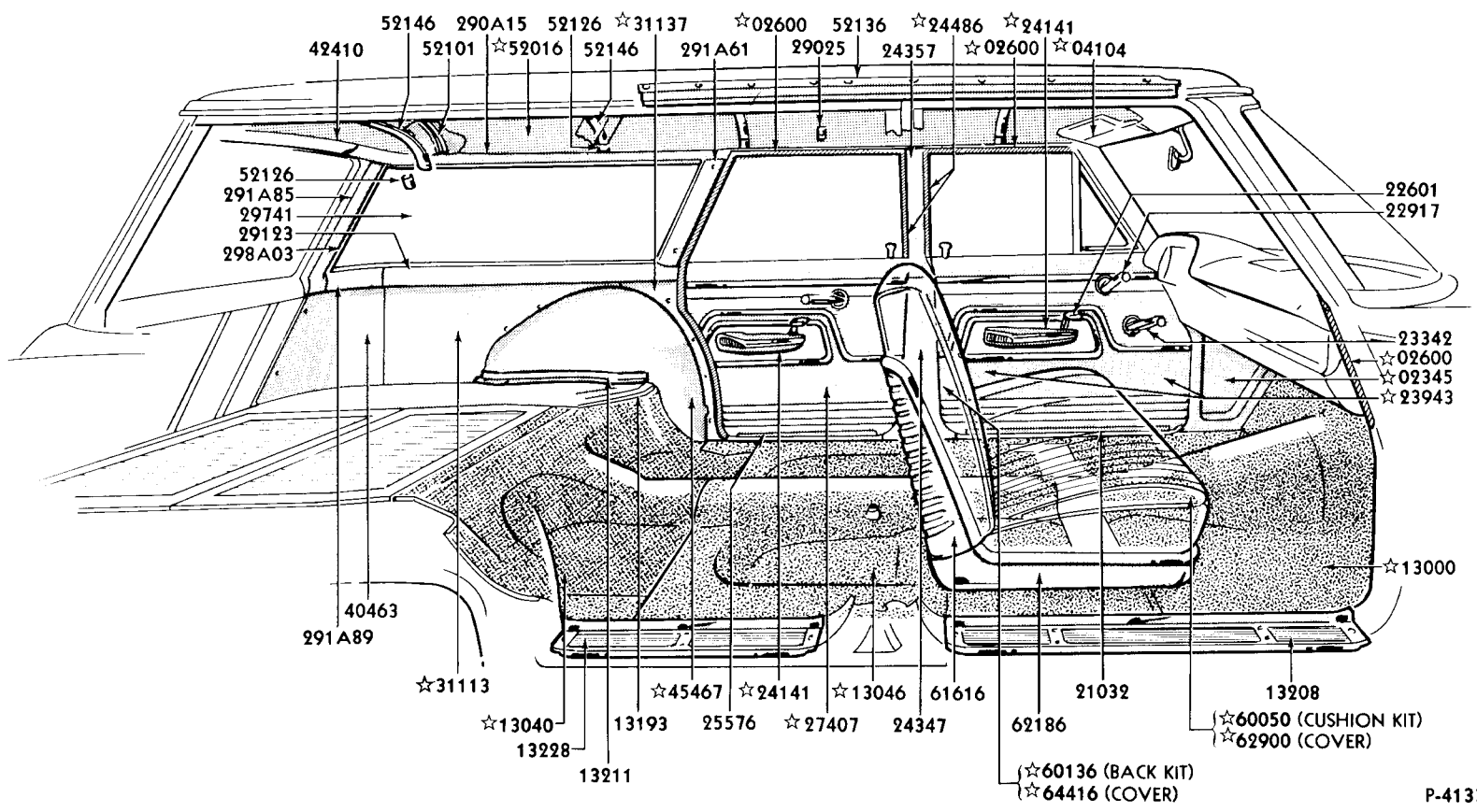
LUGGAGE COMPARTMENT TRIM
1961/63 THUNDERBIRD - BODY TYPE 63



- ▲ REFER TO GROUP IN SOFT TRIM SECTION
- 1961/62 ONLY
- 1963 ONLY

P-3362

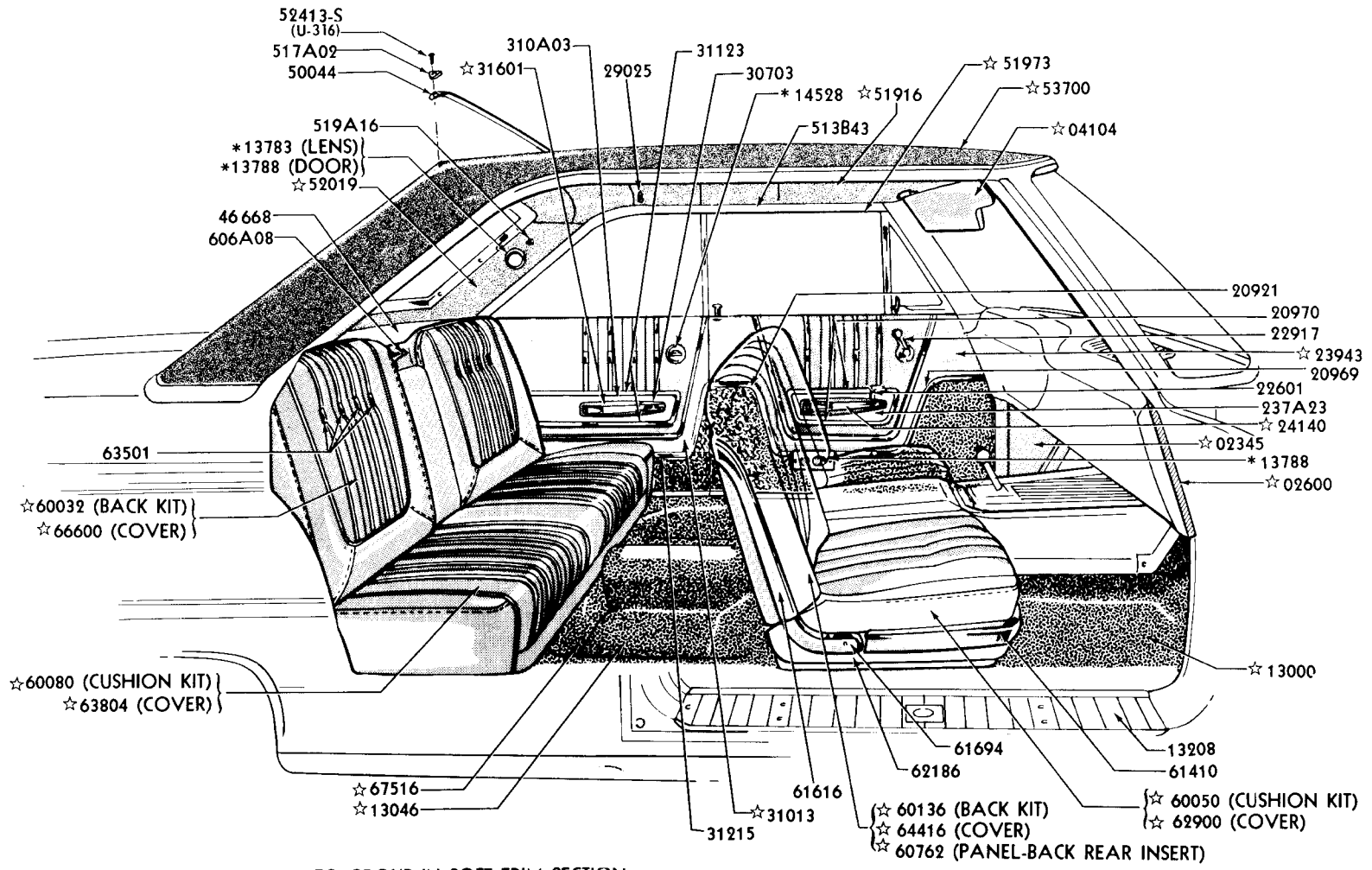
LUGGAGE COMPARTMENT TRIM
1961/63 THUNDERBIRD - BODY TYPE 76



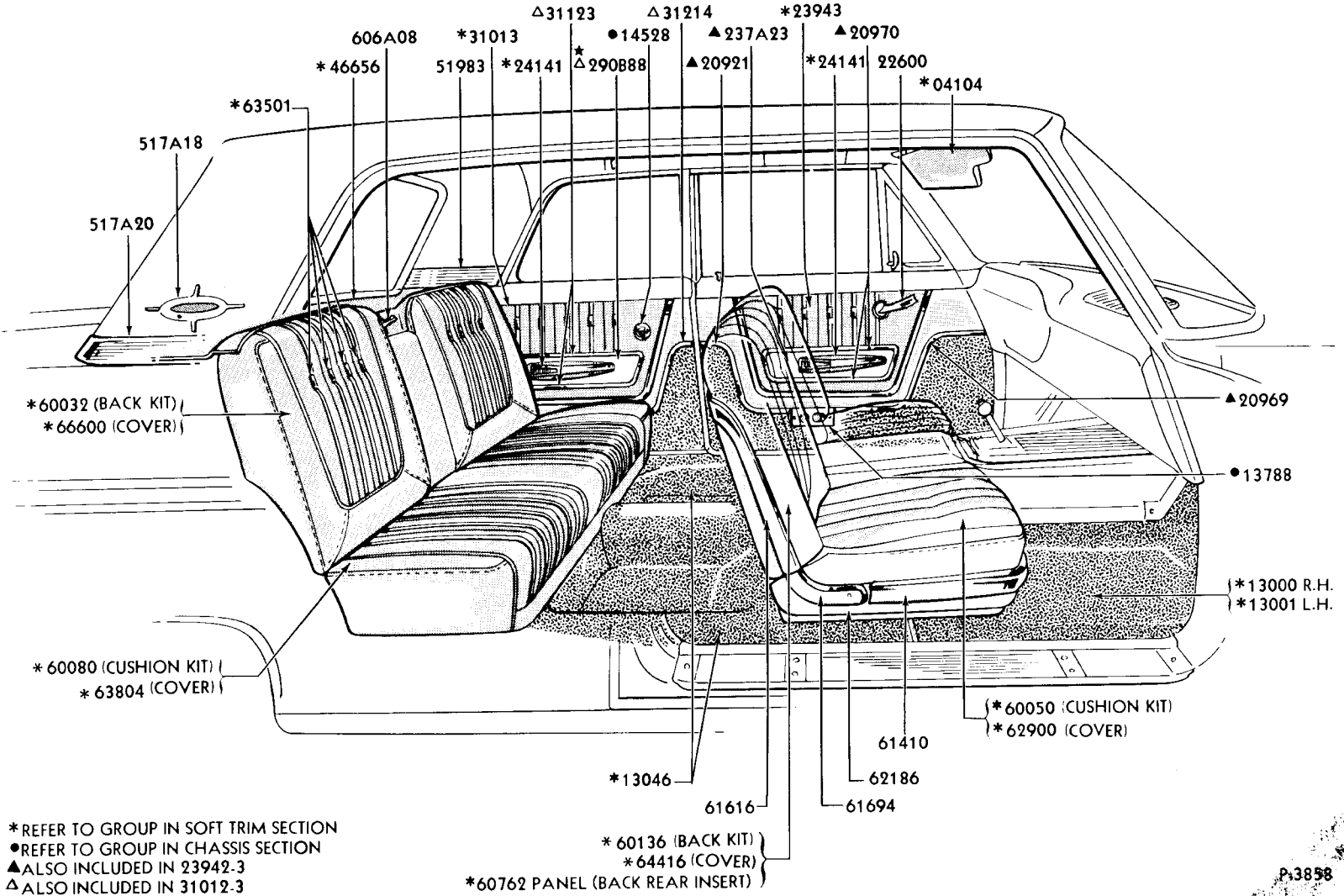
☆REFER TO GROUP IN SOFT TRIM SECTION

INTERIOR TRIM and RELATED PARTS - TYPICAL
1962/64 FORD - BODY TYPE 71

INTERIOR TRIM and RELATED PARTS - TYPICAL
 1963 FORD - BODY TYPE 63



- ☆ REFER TO GROUP IN SOFT TRIM SECTION
- △ ALSO INCLUDED IN GROUP 23942-3
- * REFER TO CHASSIS GROUP NUMBER



INTERIOR TRIM and RELATED PARTS - TYPICAL
1962/63 FORD - BODY TYPE 65

* REFER TO GROUP IN SOFT TRIM SECTION
● REFER TO GROUP IN CHASSIS SECTION
▲ ALSO INCLUDED IN 23942-3
△ ALSO INCLUDED IN 31012-3

* 60136 (BACK KIT)
* 64416 (COVER)
* 60762 PANEL (BACK REAR INSERT)

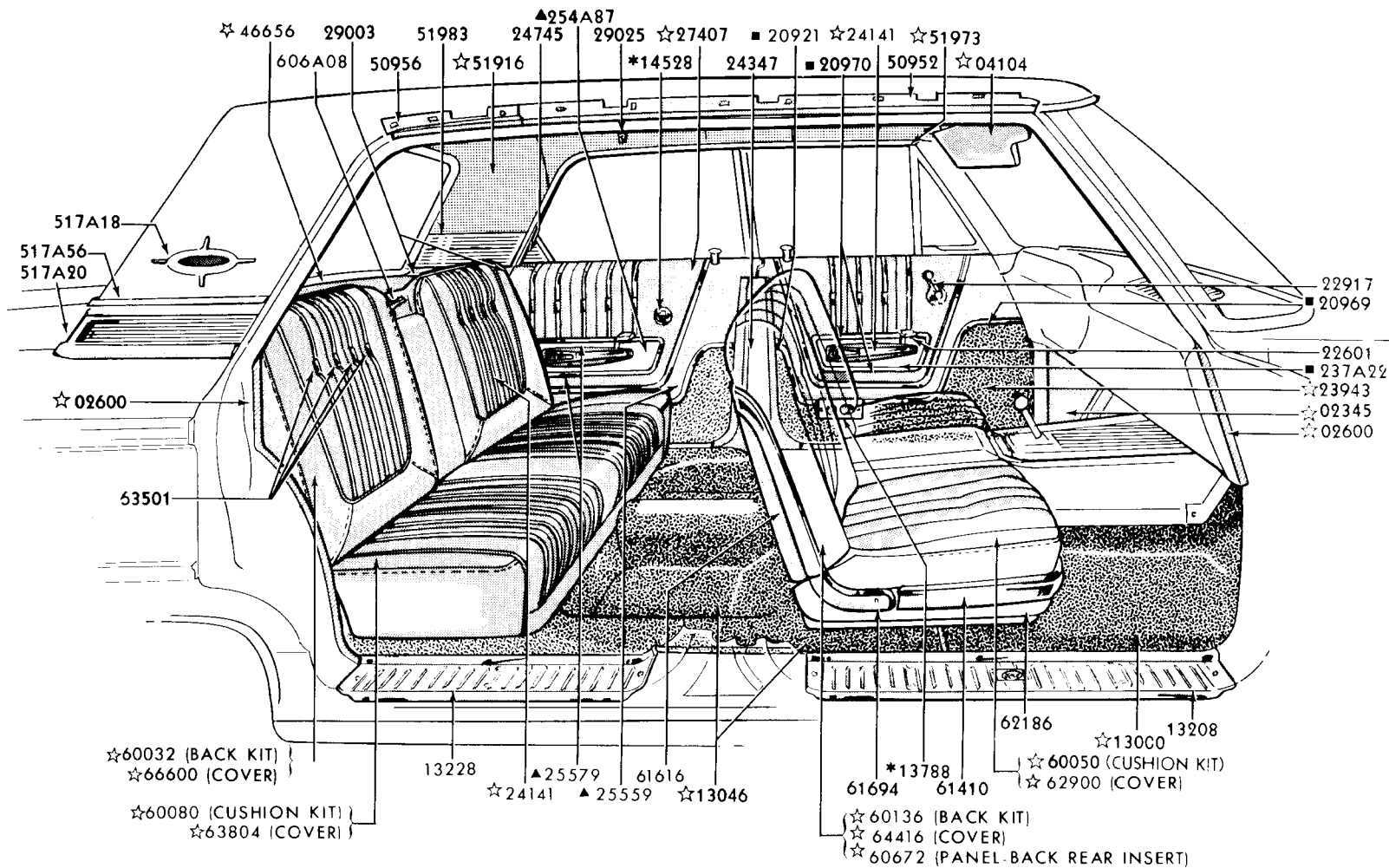
* 60032 (BACK KIT)
* 66600 (COVER)

* 60080 (CUSHION KIT)
* 63804 (COVER)

* 60050 (CUSHION KIT)
* 62900 (COVER)

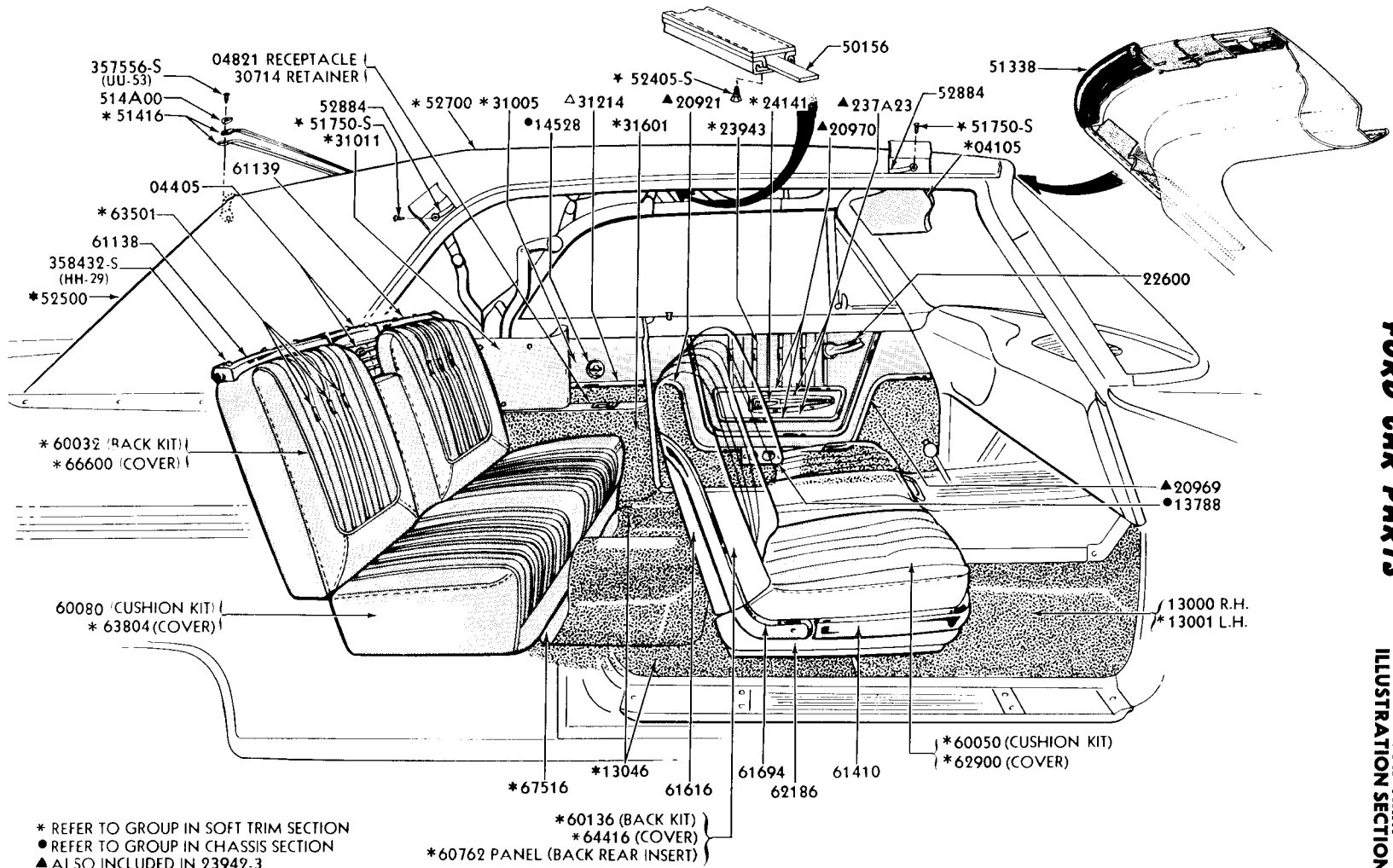
* 13000 R.H.
* 13001 L.H.

* 60136 (BACK KIT)
* 64416 (COVER)



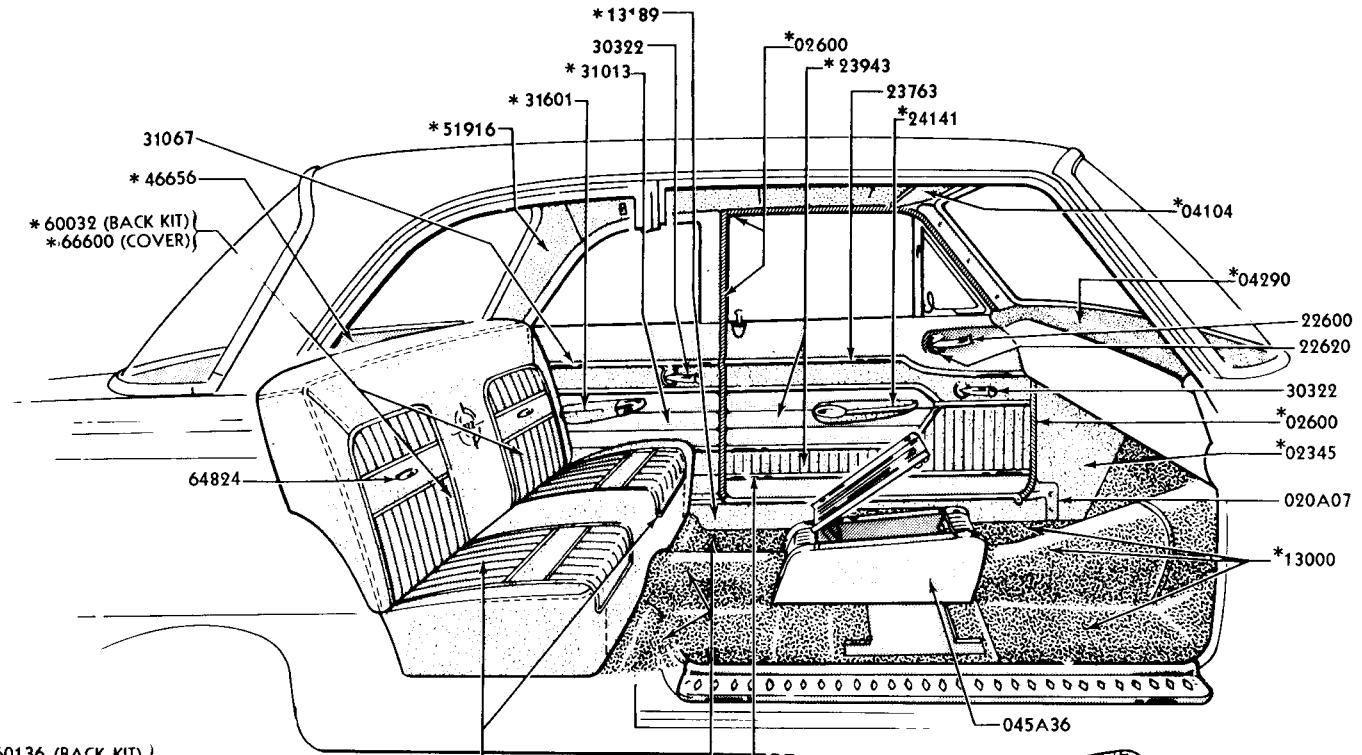
INTERIOR TRIM and RELATED PARTS - TYPICAL
1963 FORD - BODY TYPE 75

- ALSO INCLUDED IN GROUP 23942.3
- ▲ ALSO INCLUDED IN GROUP 27406-7
- ☆ REFER TO GROUP IN SOFT TRIM SECTION
- * REFER TO CHASSIS GROUP NUMBER

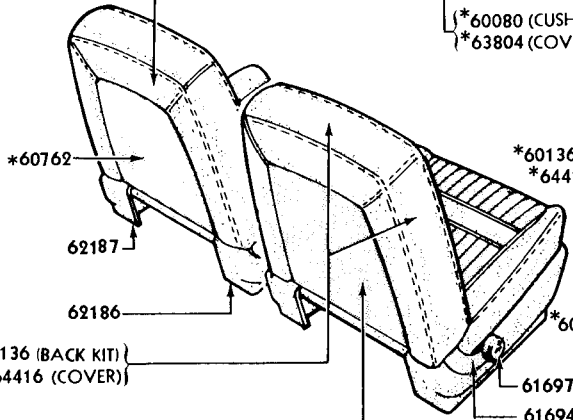


* REFER TO GROUP IN SOFT TRIM SECTION
● REFER TO GROUP IN CHASSIS SECTION
▲ ALSO INCLUDED IN 23942-3
△ ALSO INCLUDED IN 31004-5

*60136 (BACK KIT)
*64416 (COVER)
*60762 PANEL (BACK REAR INSERT)

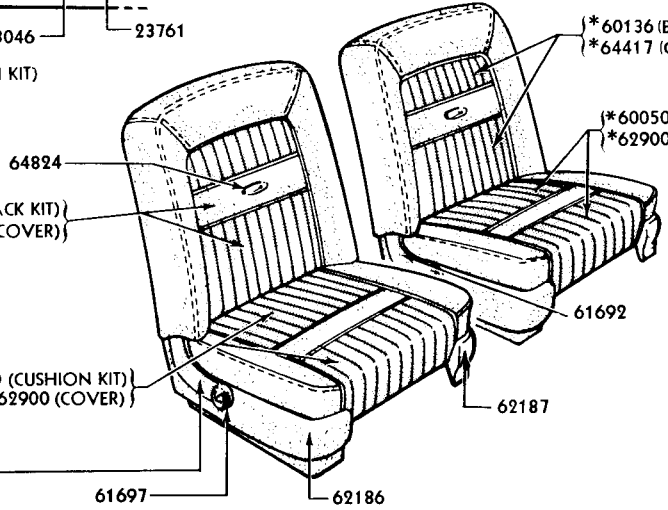


* 60136 (BACK KIT)
* 64417 (COVER)



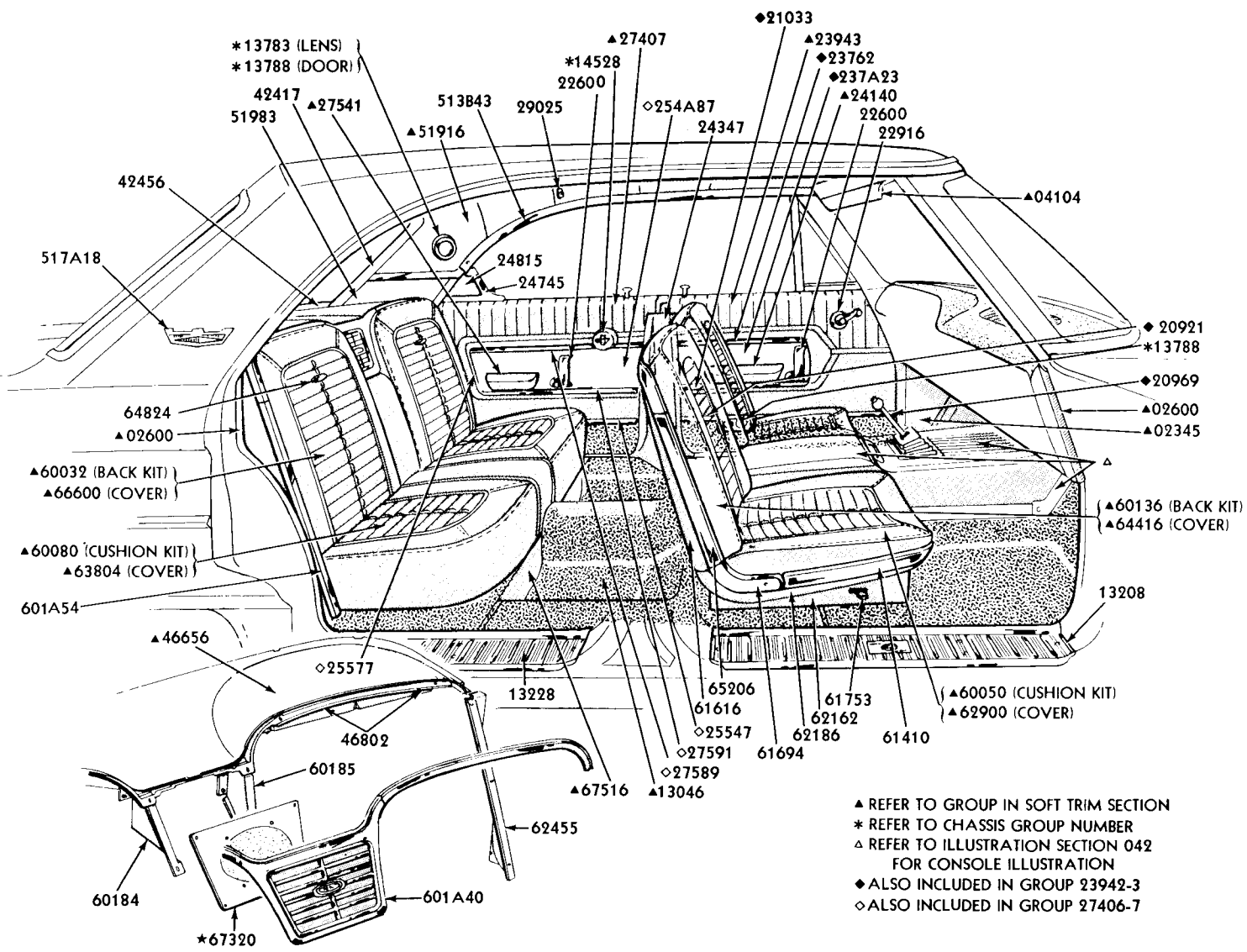
* 60136 (BACK KIT)
* 64417 (COVER)

* 60050 (CUSHION KIT)
* 62900 (COVER)



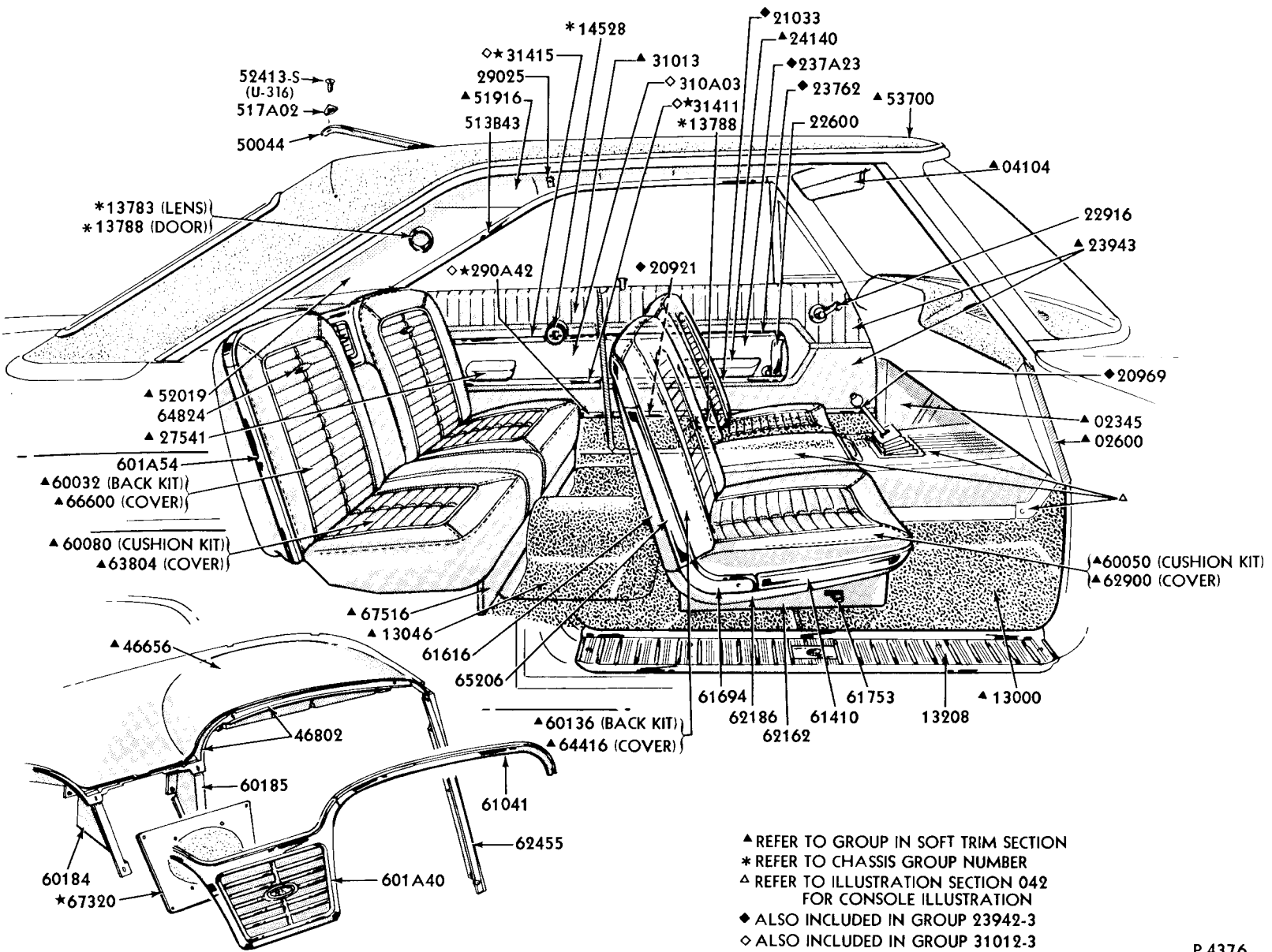
* REFER TO GROUP IN SOFT TRIM SECTION

INTERIOR TRIM and RELATED PARTS - TYPICAL
1961/63 FALCON - BODY TYPE 62C, 64



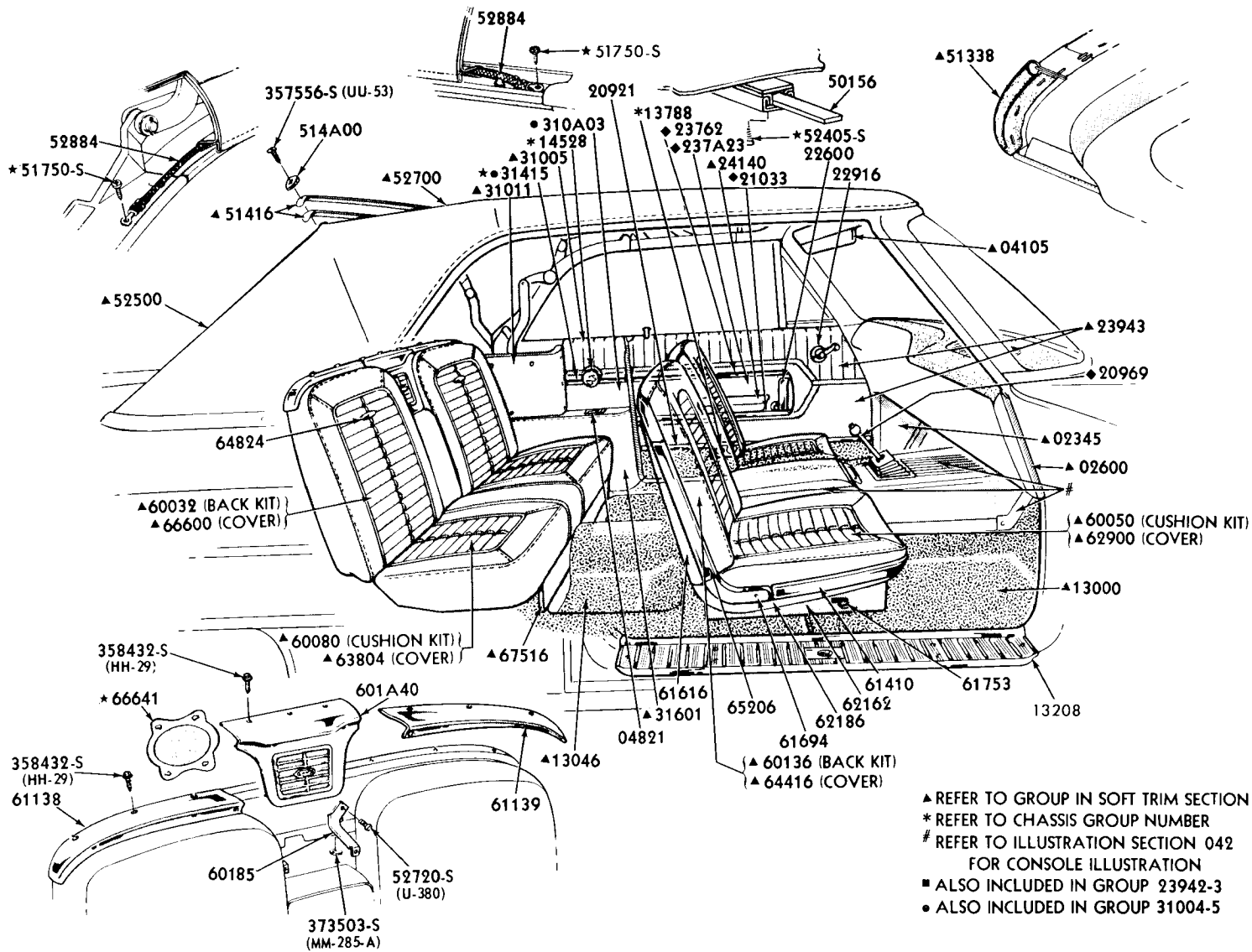
- ▲ REFER TO GROUP IN SOFT TRIM SECTION
- * REFER TO CHASSIS GROUP NUMBER
- △ REFER TO ILLUSTRATION SECTION 042 FOR CONSOLE ILLUSTRATION
- ◆ ALSO INCLUDED IN GROUP 23942-3
- ◇ ALSO INCLUDED IN GROUP 27406-7

INTERIOR TRIM and RELATED PARTS - TYPICAL
 1964 FORD - BODY TYPE 57



INTERIOR TRIM and RELATED PARTS - TYPICAL
1964 FORD - BODY TYPE 63

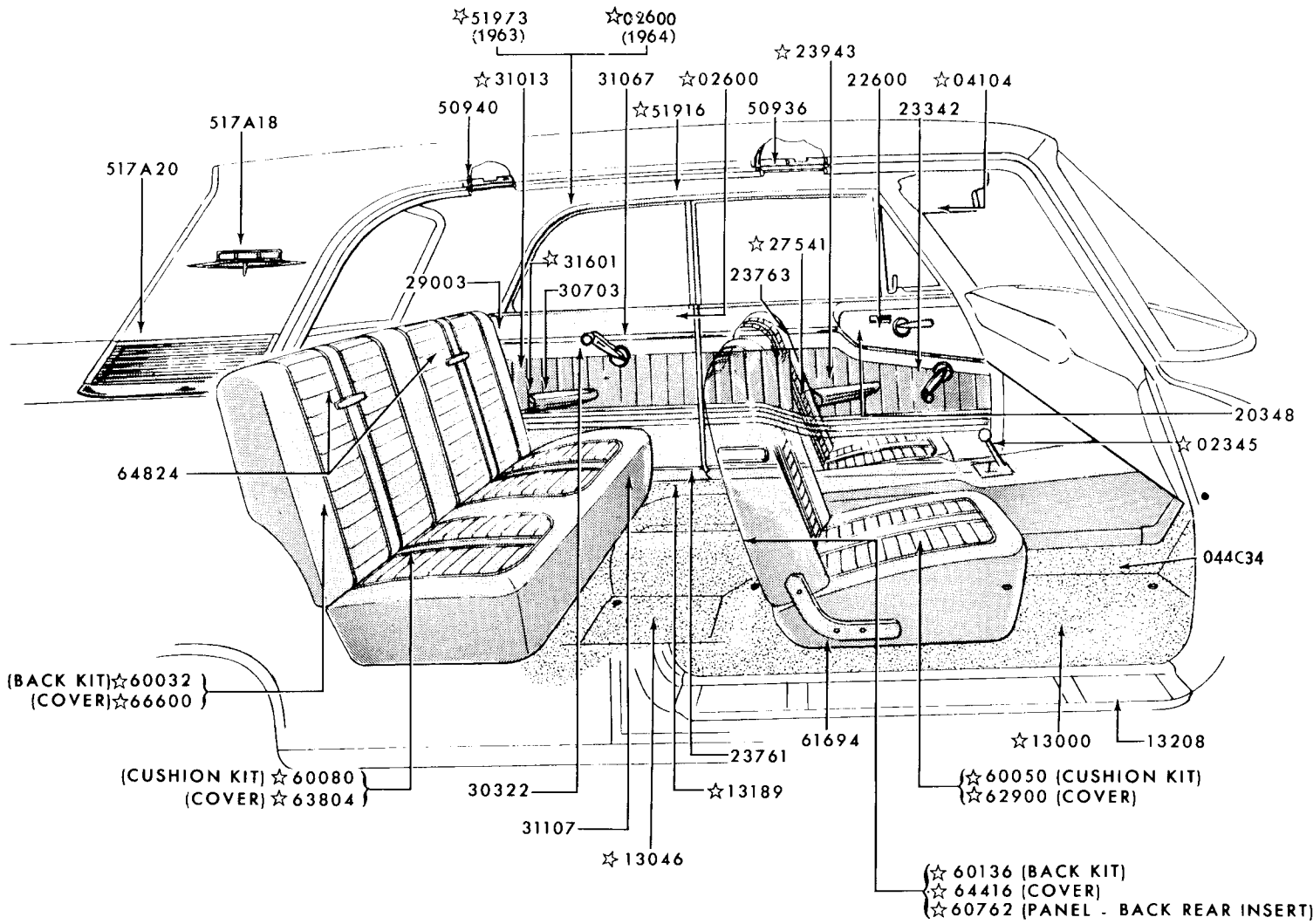
- ▲ REFER TO GROUP IN SOFT TRIM SECTION
- * REFER TO CHASSIS GROUP NUMBER
- △ REFER TO ILLUSTRATION SECTION 042 FOR CONSOLE ILLUSTRATION
- ◆ ALSO INCLUDED IN GROUP 23942-3
- ◇ ALSO INCLUDED IN GROUP 31012-3



- ▲ REFER TO GROUP IN SOFT TRIM SECTION
- * REFER TO CHASSIS GROUP NUMBER
- # REFER TO ILLUSTRATION SECTION 042 FOR CONSOLE ILLUSTRATION
- ALSO INCLUDED IN GROUP 23942-3
- ALSO INCLUDED IN GROUP 31004-5

INTERIOR TRIM and RELATED PARTS - TYPICAL

1964 FORD - BODY TYPE 76

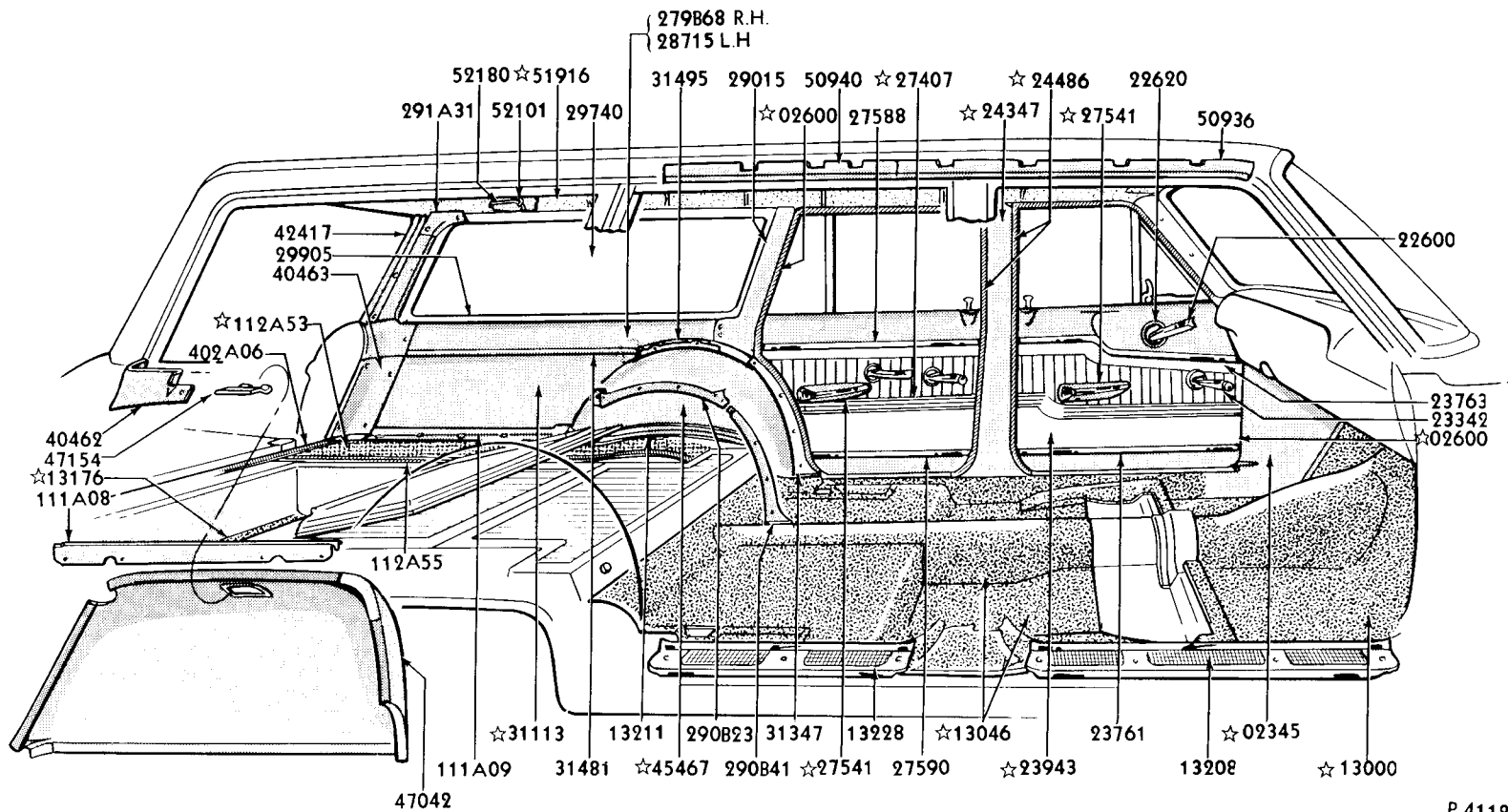


☆REFER TO GROUP IN SOFT TRIM SECTION

INTERIOR TRIM and RELATED PARTS - TYPICAL

1963/ FAIRLANE - BODY TYPE 65

INTERIOR TRIM and RELATED PARTS - TYPICAL
 1963/ FAIRLANE - BODY TYPE 71

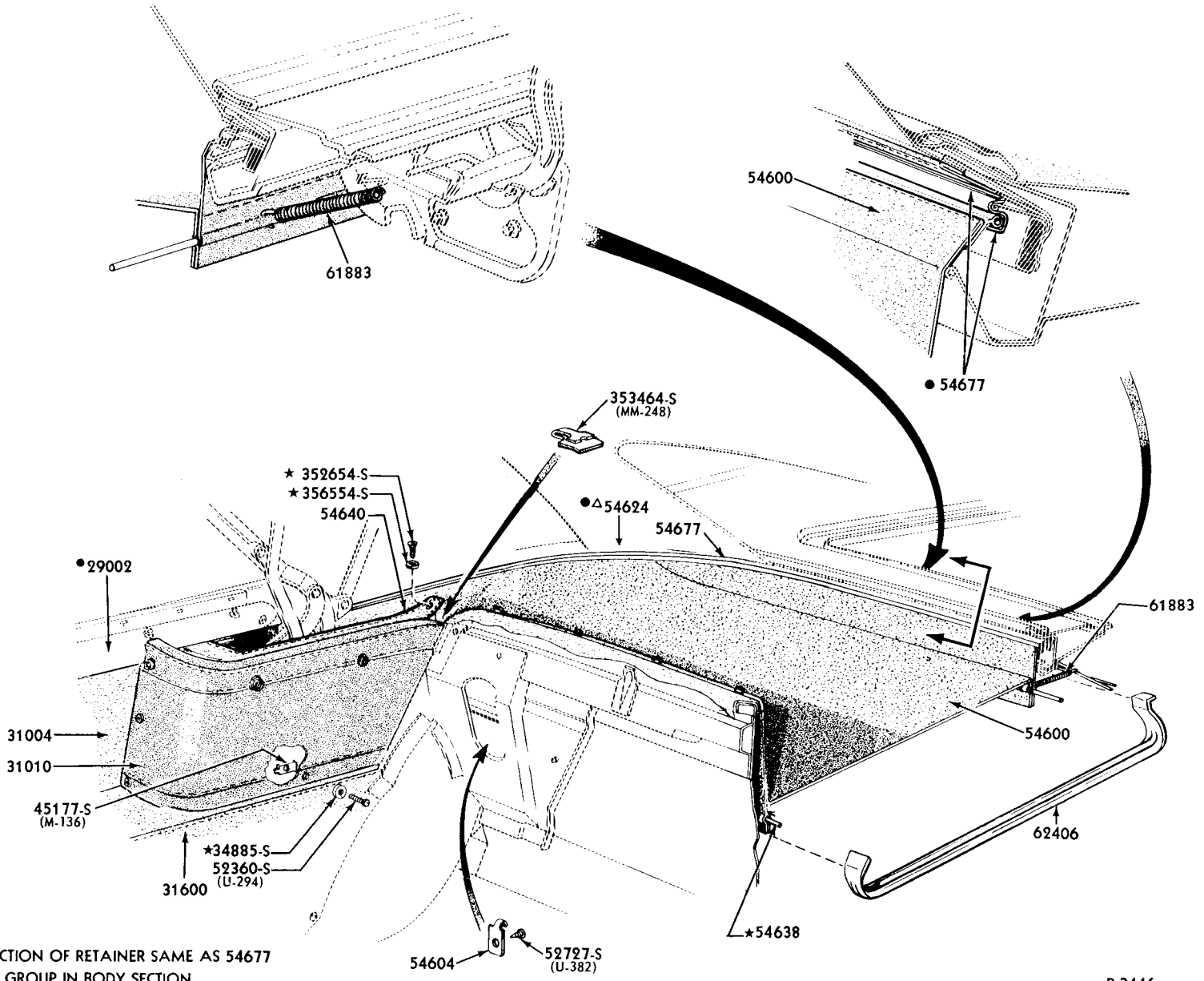


☆REFER TO SOFT TRIM SECTION

P-4112

FORD CAR PARTS

**INTERIOR TRIM
 ILLUSTRATION SECTION**



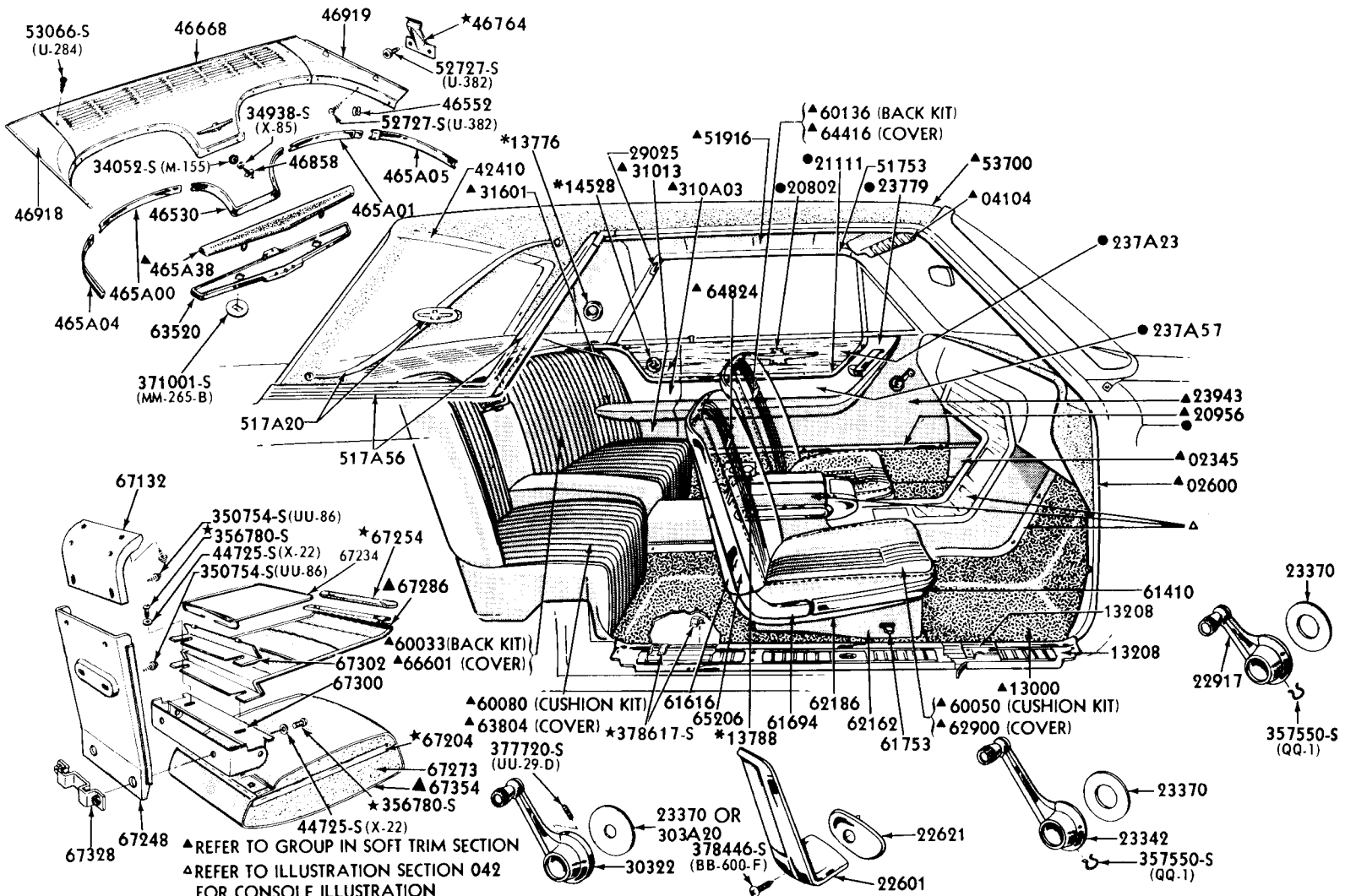
△ CROSS SECTION OF RETAINER SAME AS 54677

● REFER TO GROUP IN BODY SECTION

FOLDING TOP COMPARTMENT TRIM and RELATED PARTS
1951/64 FORD - BODY TYPE 76, 1963/64 FALCON - BODY TYPE 73

FORD CAR PARTS

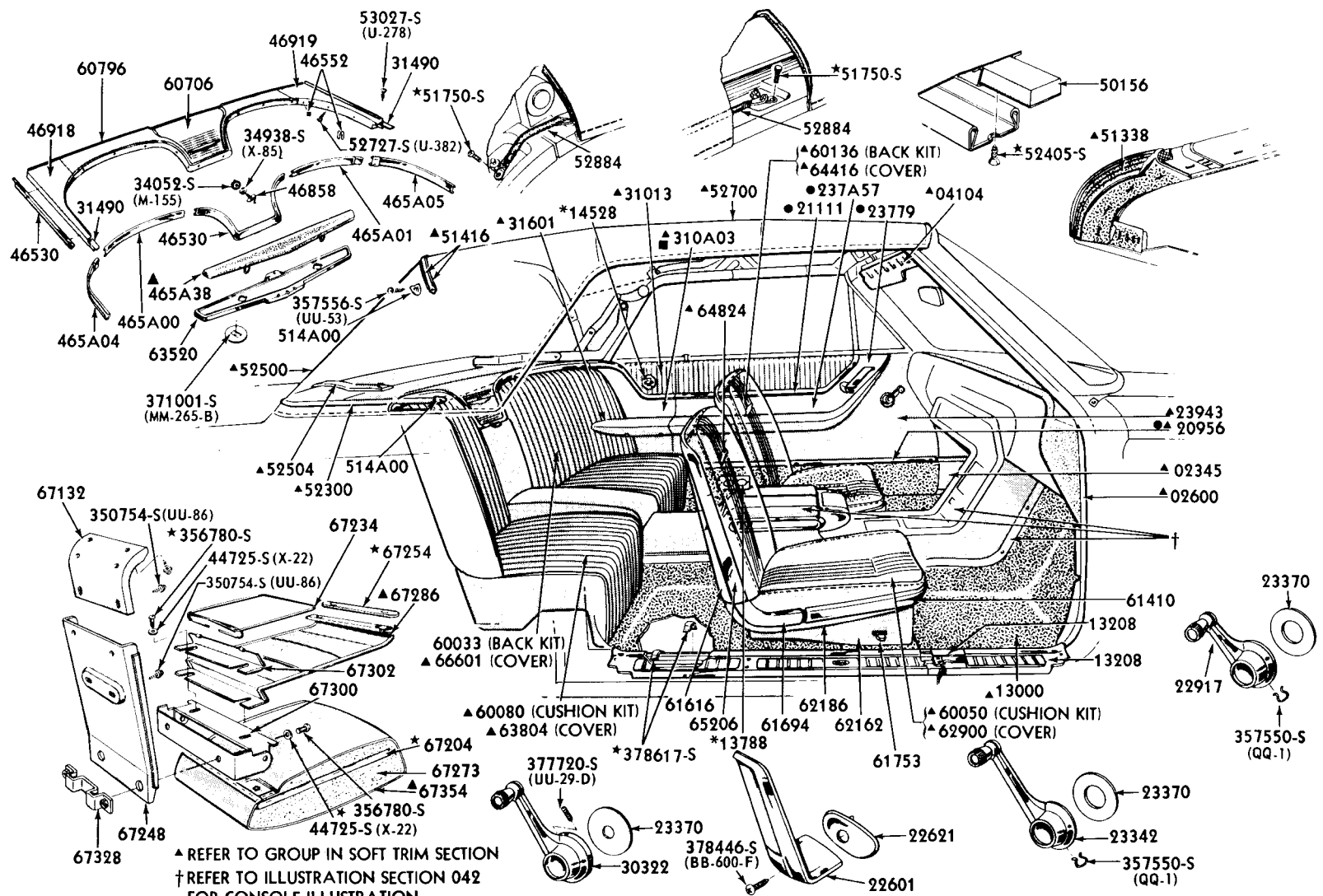
**INTERIOR TRIM
ILLUSTRATION SECTION**



- ▲ REFER TO GROUP IN SOFT TRIM SECTION
- ▲ REFER TO ILLUSTRATION SECTION 042 FOR CONSOLE ILLUSTRATION
- * REFER TO CHASSIS GROUP NUMBER
- ALSO INCLUDED IN GROUP 23942-3
- ◇ ALSO INCLUDED IN GROUP 31012-3

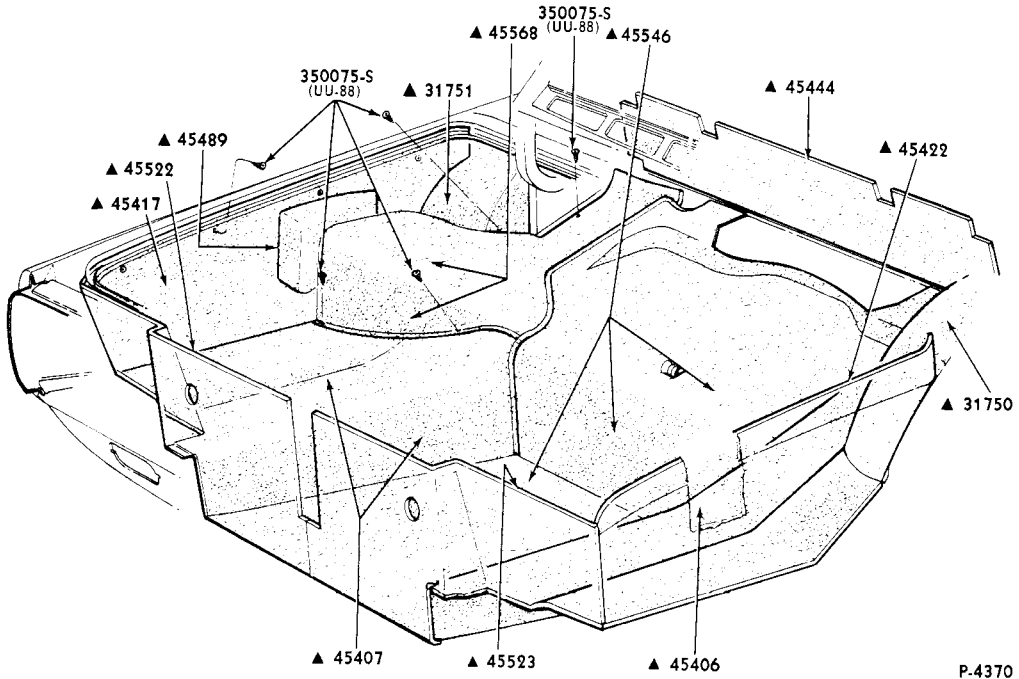
P-4378

INTERIOR TRIM and RELATED PARTS - TYPICAL
1934 / THUNDERBIRD - BODY TYPE 63A, 63B



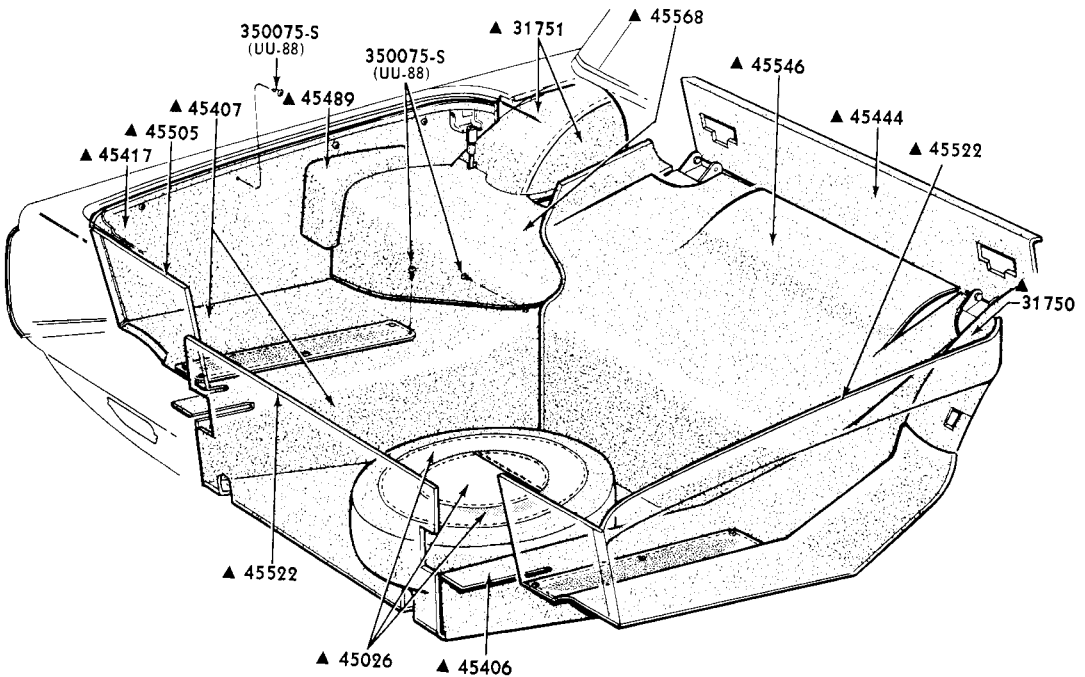
INTERIOR TRIM and RELATED PARTS - TYPICAL
 1964/ THUNDERBIRD - BODY TYPE 76

- ▲ REFER TO GROUP IN SOFT TRIM SECTION
- † REFER TO ILLUSTRATION SECTION 042 FOR CONSOLE ILLUSTRATION
- * REFER TO CHASSIS GROUP NUMBER
- ALSO INCLUDED IN GROUP 23942-3
- ALSO INCLUDED IN GROUP 31012-3



▲ REFER TO GROUP IN SOFT TRIM SECTION

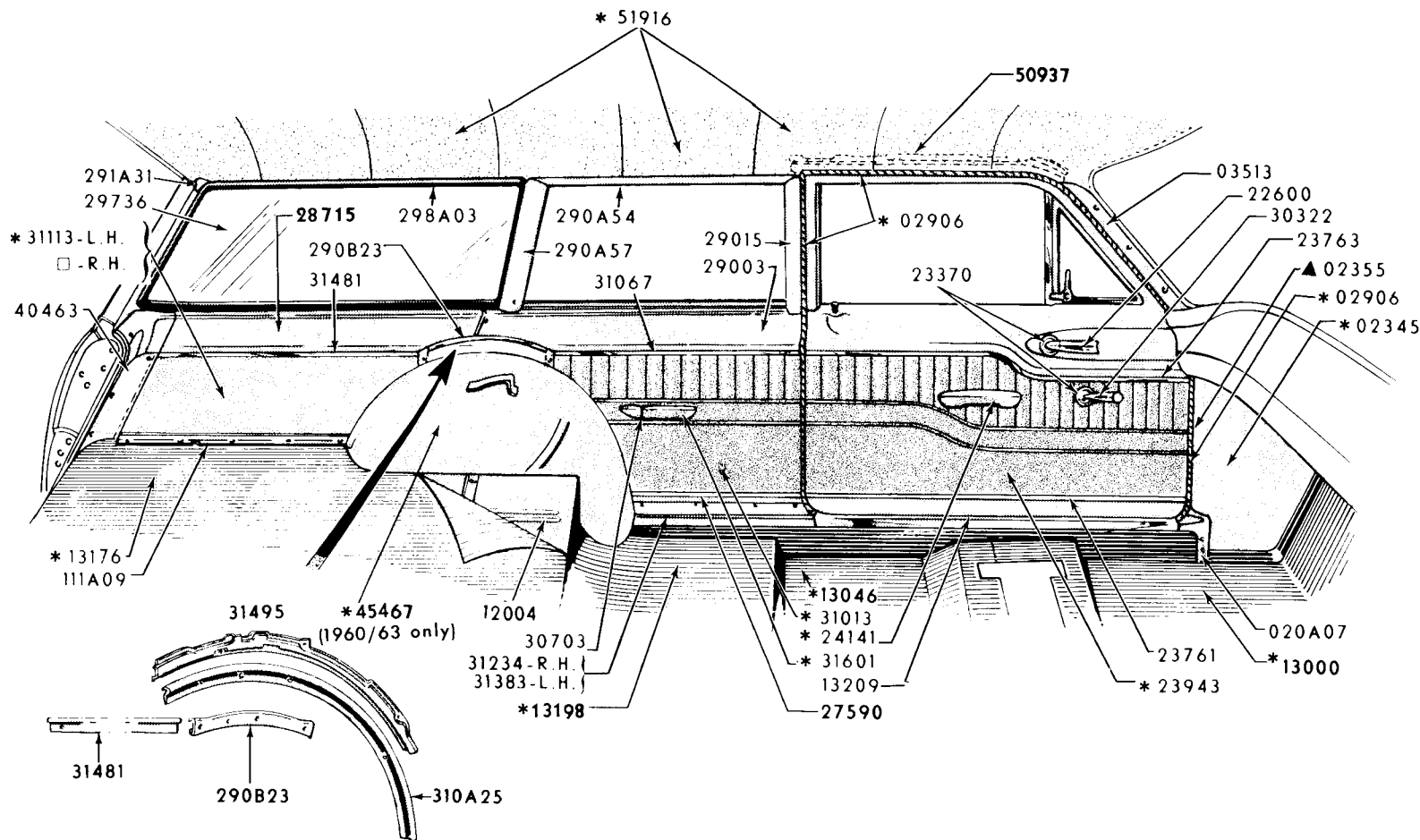
LUGGAGE COMPARTMENT TRIM
1934/ THUNDERBIRD - BODY TYPE 63



▲ REFER TO SOFT TRIM SECTION

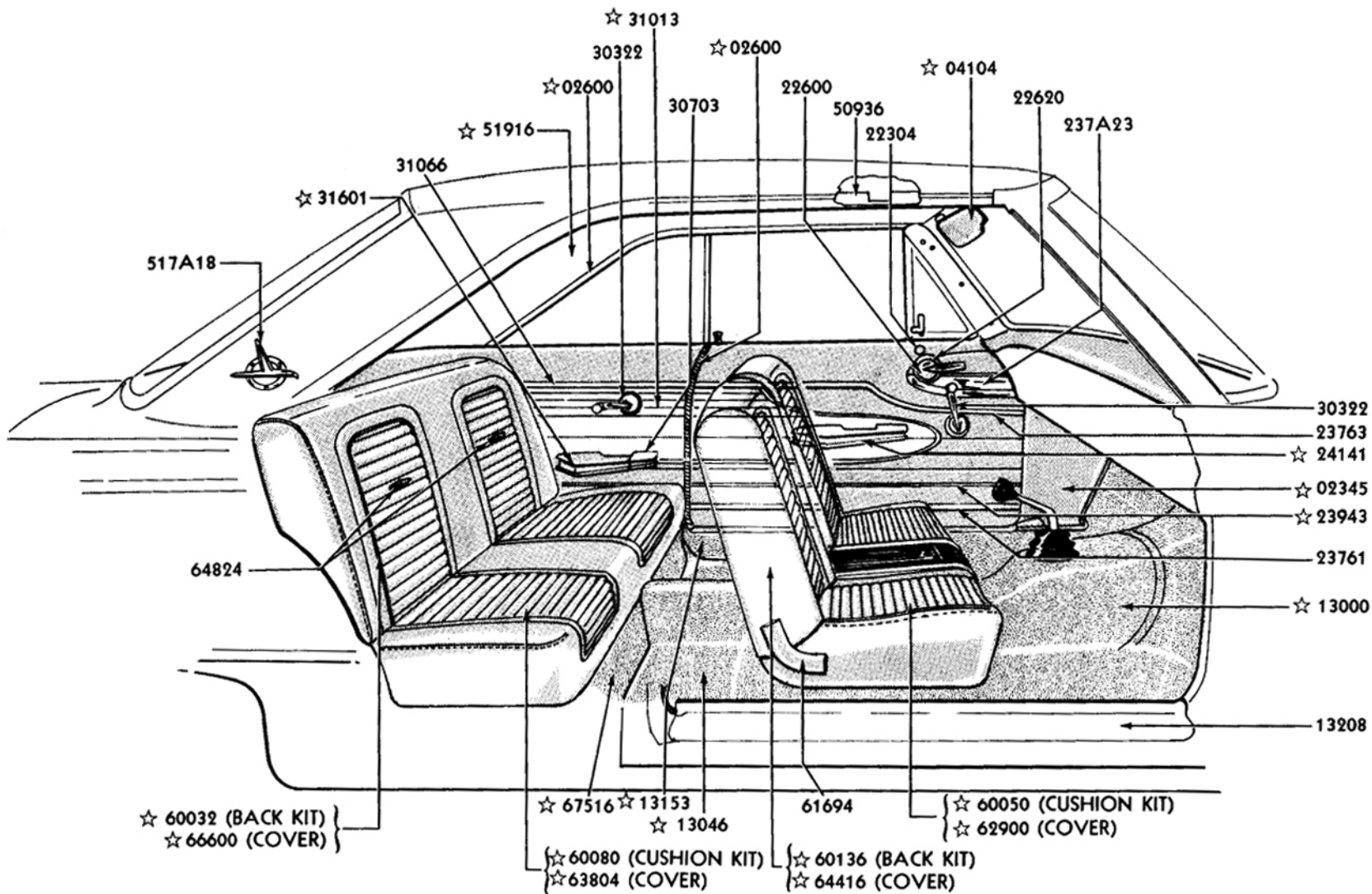
LUGGAGE COMPARTMENT TRIM
1964/ THUNDERBIRD - BODY TYPE 76

INTERIOR TRIM and RELATED PARTS
1960/ FALCON - BODY TYPE 59



* REFER TO SOFT TRIM SECTION
 □ SPARE WHEEL WELL COVER ASSY. *47042
 ▲ 1960 ONLY

P-3167



☆ REFER TO GROUP IN SOFT TRIM SECTION

P.4 233

INTERIOR TRIM and RELATED PARTS - TYPICAL
1963/ FALCON - BODY TYPE 63